

TECE

UK PRODUCT RANGE JULY 2026

TECE UK



	Page
Sanitary Systems	
<u>TECE sanitary ceramics</u>	<u>4</u>
<u>TECE flush plates</u>	<u>12</u>
<u>TECE sanitary modules</u>	<u>28</u>
<u>Cisterns</u>	<u>40</u>
<u>Urinal systems</u>	<u>44</u>
<u>TECElux</u>	<u>52</u>

Drainage Systems

<u>Wetroom shower drainage</u>	<u>56</u>
<u>Wetroom shower gradient boards</u>	<u>86</u>
<u>Wetroom waterproofing</u>	<u>88</u>





	Page
Sets	6
Shower toilets	8
TECEloft	10

Toilets - Sets

TECEneo set, hot and cold water

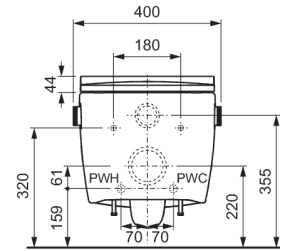
Set consisting of:

TECEneo shower toilet with hot and cold water connection (9700205).

TECE toilet seat with lid "slim" (9700603).

Connection material including concealed attachment, sound insulation tape etc.

Shower pan connection set required (see page 7).



Code	Dimensions (mm)
9700213	NEW -

TECEneo set, cold water

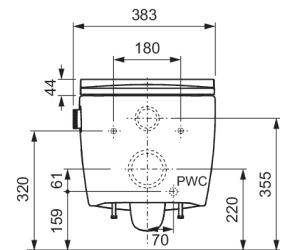
Set consisting of:

TECEneo shower toilet with cold water connection (9700207).

TECE toilet seat with lid "slim" (9700603).

Connection material including concealed attachment, sound insulation tape etc.

Shower pan connection set required (see page 7).



Code	Dimensions (mm)
9700214	NEW -

*Check Availability

TECEneo set, without shower function set

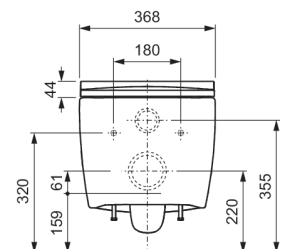
Set consisting of:

TECEneo toilet ceramics without shower function (9700209).

TECEneo/one (shower) toilet seat with lid "slim" (9700603).

Connection material including concealed attachment, sound insulation tape etc.

Shower pan connection set required (see page 7).



Code	Dimensions (mm)
9700215	NEW -

TECEone set, hot and cold water

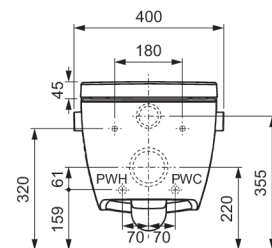
Set consisting of:

TECEone shower toilet with hot and cold water connection (9700200).

TECEone toilet seat with lid "classic" (9700600).

Connection material including concealed fixing, sound insulation tape etc.

Shower pan connection set required (see page 7).



Code		Dimensions (mm)
9700216	NEW	-

TECEone set, cold water

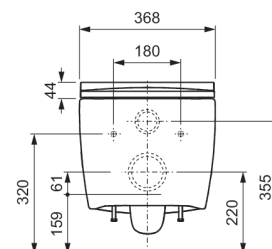
Set consisting of:

TECEone shower toilet with cold water connection (9700201).

TECE toilet seat with lid "classic" (9700600).

Connection material including concealed fixing, sound insulation tape etc.

Shower pan connection set required (see page 7).



Code		Dimensions (mm)
9700212	NEW	-

*Check Availability

TECE ceramic shower pan connection set, standard frames

Toilet connection set for wall mounted toilets.

Required for all TECE shower toilets.



Code		Dimensions (mm)	
9700700		-	£ 159.00

TECE ceramic shower pan connection set, slimline frame

Toilet connection set for wall mounted toilets.

Required for all TECE shower toilets.



Code		Dimensions (mm)
9700710		-

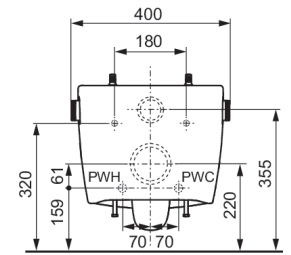
Shower toilets

TECEneo shower toilet, hot and cold water

Water-saving, rimless toilet ceramic with integrated shower function for comfortable personal cleaning using water. Shower function without electricity via on-site hot and cold water connection, toilet ceramic for in-wall cisterns, simple new installation or retrofitting.

Shower pan connection set required (see page 7).

Code	Dimensions (mm)
9700205	400 x 365 x 540

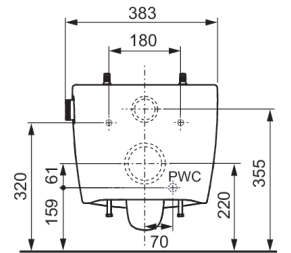


TECEneo shower toilet, cold water*

Water-saving, rimless toilet ceramic with integrated shower function for comfortable personal cleaning using water. Shower function uses the building's cold water connection and therefore requires no electricity, toilet ceramic appliance for in-wall cisterns, simple new installation or retrofitting.

Shower pan connection set required (see page 7).

Code	Dimensions (mm)
9700207	383 x 365 x 540



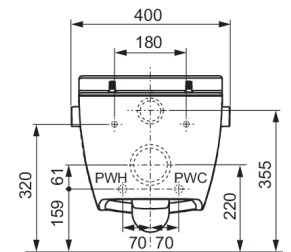
*Check Availability

TECEone shower toilet, hot and cold water

Rimless toilet ceramic with integrated shower function for comfortable personal cleaning using water. The shower function uses the building's hot and cold water connections, and therefore requires no electricity. Toilet ceramics for in-wall cisterns, simple new installation or retrofitting.

Shower pan connection set required (see page 7).

Code	Dimensions (mm)
9700200	358 x 350 x 540

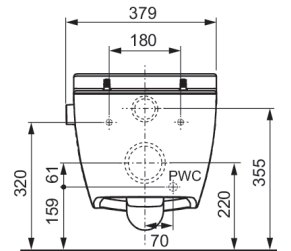


TECEone shower toilet, cold water*

Rimless toilet ceramic with integrated shower function for comfortable personal cleaning using water. The shower function uses the building's cold water connections, and therefore requires no electricity. Toilet ceramics for in-wall cisterns, simple new installation or retrofitting.

Shower pan connection set required (see page 7).

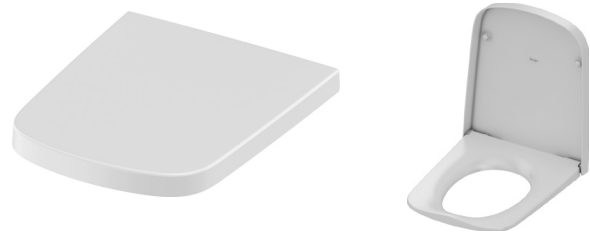
Code	Dimensions (mm)
9700201	358 x 350 x 540



*Check Availability

TECE toilet seat with lid "classic"

Toilet seat with lid, suitable for TECE (shower) toilets with pre fix technology.



Code	Dimensions (mm)
9700600	-

TECE toilet seat with lid "slim"

Toilet seat with lid, suitable for TECE (shower) toilets with pre fix technology.



Code	Dimensions (mm)
9700603	NEW -

TECE shower toilet control dial, plastic

For individualisation of TECE shower toilets, simply interchangeable.
Plastic variants each with additional printed operating instructions.



TECE shower toilet control dial temperature, plastic white (Quantity: 1)

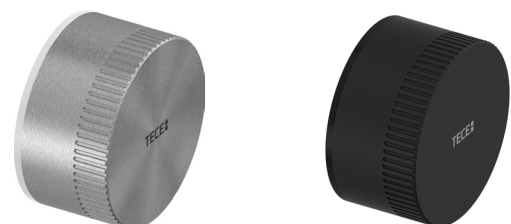
Code	Dimensions (mm)
9820361	NEW -

TECE shower toilet control dial water volume, plastic white (Quantity: 1)

Code	Dimensions (mm)
9820362	NEW -

TECE shower toilet control dial, metal

For individualisation of TECE shower toilets, simply interchangeable.
Elegant variants with side indentations for grip.



TECE shower toilet control dial, brushed stainless steel (Quantity: 1)

Code	Dimensions (mm)
9700608	NEW -

TECE shower toilet control dial, matt black (Quantity: 1)

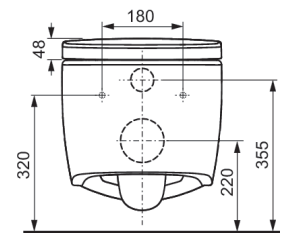
Code	Dimensions (mm)
9700606	NEW -

Toilets - TECEloft

TECEloft set, toilet ceramic with cyclon flush, including seat/lid

Set consists of:

- TECEloft toilet ceramic with cyclon flush.
- TECEloft toilet soft close seat/lid in classic high design (9700611).
- Concealed attachment.
- Assembly instructions.



Code		Dimensions (mm)
9700224	NEW	353 x 313 x 515

TECE shower toilet universal splash guard

Transparent plastic cover for displaying the shower function, suitable for all TECE shower toilet models.



Code		Dimensions (mm)
9820717	NEW	-

Flush plates



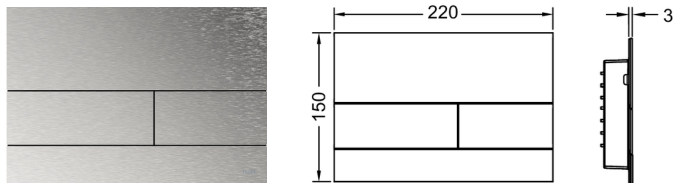


	Page
TECESquare	14
TECESolid	16
TECEloop	18
TECEnow	20
TECEvelvet	20
TECEtraditional	21
TECElux mini	22
TECESolid electronic	23
TECEplanus	24
TECEplanus electronic	24
Flush plate accessories	25
TECEflushpoint	26

Toilet flush plate - TECEsquare

TECEsquare II metal toilet flush plate for dual-flush system

Flush plate for TECE cisterns, for front or top actuation. Flat metal flush plate with two spring-mounted actuation rocker buttons. Including actuation rods, mounting material and disassembly tool. Compatible with insert chute for cleaning tablets.

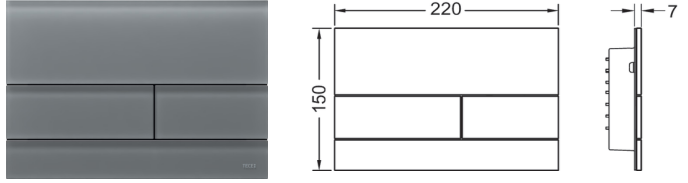


Colour	Code	Dimensions (mm)
Brushed Stainless Steel (Anti-Fingerprint)	9240830	220 x 150 x 3
Polished Chrome	9240831	220 x 150 x 3
White	9240832	220 x 150 x 3
Matt Black	9240833	220 x 150 x 3
Matt White	9240834	220 x 150 x 3
Brushed Warm Nickel (Anti-Fingerprint)	9240843	220 x 150 x 3
Brushed Black Chrome (Anti-Fingerprint)	9240846	220 x 150 x 3
Polished Black Chrome*	9240837	220 x 150 x 3
Brushed Gold Optic (Anti-Fingerprint)	9240847	220 x 150 x 3
Polished Gold Optic	9240839	220 x 150 x 3
Brushed Red Gold (Anti-Fingerprint)	9240841	220 x 150 x 3
Rusted Steel	9240845	220 x 150 x 3
Brushed Cool Nickel (Anti-Fingerprint) NEW	9240850	220 x 150 x 3
Brushed Brass (Anti-Fingerprint) NEW	9240851	220 x 150 x 3
Brushed Bronze (Anti-Fingerprint) NEW	9240852	220 x 150 x 3
Brushed Black (Anti-Fingerprint) NEW	9240853	220 x 150 x 3

*Check Availability

TECEsquare II glass toilet flush plate for dual-flush system

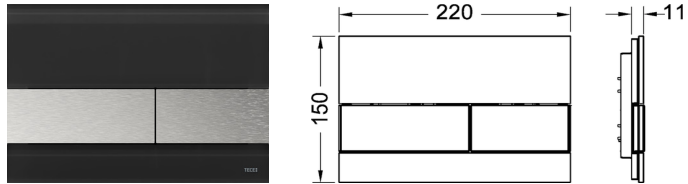
Flush plate for TECE cisterns, for front or top actuation. Flat glass flush plate with two spring-mounted actuation rocker buttons. Including actuation rods, mounting material and disassembly tool. Suitable for flush-mounted installation in combination with toilet installation frame and spacing frame (See page 25). Compatible with insert chute for cleaning tablets.



Colour	Code	Dimensions (mm)
Glass White Satin	9240824	220 x 150 x 7
Glass Black Satin	9240825	220 x 150 x 7
Glass Signal Grey Satin	9240826	220 x 150 x 7
Glass Sand Beige Satin	9240827	220 x 150 x 7

TECEsquare glass toilet flush plate for dual-flush system

Flush plate for TECE cisterns, for front or top actuation. Flat glass flush plate with two spring-mounted actuation rocker buttons. Suitable for flush-mounted installation in combination with toilet installation frame for flush-mounted install (See page 25). Compatible with insert chute for cleaning tablets.



Colour	Code	Dimensions (mm)
Glass White, Buttons White	9240800	220 x 150 x 11
Glass White, Buttons Brushed Stainless Steel	9240801	220 x 150 x 11
Glass White, Buttons Polished Chrome	9240802	220 x 150 x 11
Glass Black, Buttons Brushed Stainless Steel	9240806	220 x 150 x 11
Glass Black, Buttons Polished Chrome	9240807	220 x 150 x 11
Glass Black, Buttons Gold	9240808	220 x 150 x 11
Glass Black, Buttons Black	9240809	220 x 150 x 11

TECEsquare, for self finish, buttons only

TECEsquare flush plate buttons to allow for self finish of tiles.



Note:

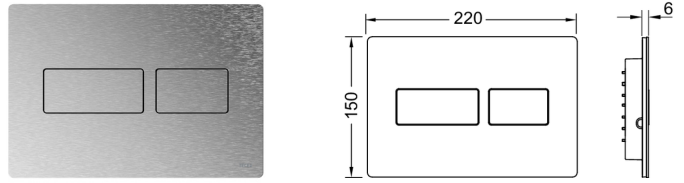
Not a spare part for TECEsquare range of flush plates.

Colour	Code	Dimensions (mm)
White	9240818	-
Stainless Steel	9240819	-
Polished Chrome	9240820	-
Black	9240821	-

Toilet flush plate - TECEsolid

TECEsolid toilet flush plate for dual-flush system

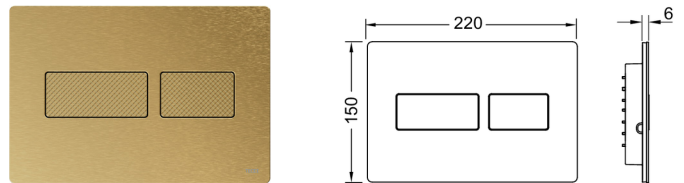
Flush plate for TECE cisterns, for front or top actuation. Flat stainless steel flush plate with rubber inlays on flush buttons, including actuation rods and mounting material. Compatible with insert chute for cleaning tablets.



Colour		Code	Dimensions (mm)
Matt Black		9240416	220 x 150 x 6
Brushed Stainless Steel		9240430	220 x 150 x 6
Bright Chrome		9240431	220 x 150 x 6
Polished White		9240432	220 x 150 x 6
Matt White		9240433	220 x 150 x 6
Brushed Stainless Steel (Anti-Fingerprint)		9240434	220 x 150 x 6
Brushed Bronze (Anti-Fingerprint)	NEW	9240444	220 x 150 x 6
Brushed Brass (Anti-Fingerprint)	NEW	9240445	220 x 150 x 6
Brushed Warm Nickel (Anti-Fingerprint)	NEW	9240446	220 x 150 x 6
Brushed Graphite (Anti-Fingerprint)	NEW	9240447	220 x 150 x 6

TECEsolid with diamond structure buttons

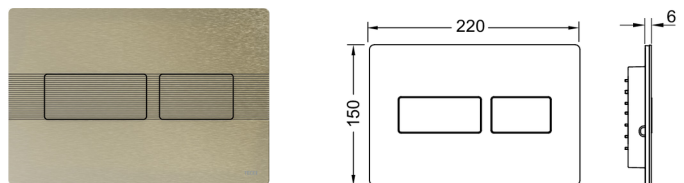
Flush plate with structured surface for TECE cisterns, for front or top actuation. Flat stainless steel flush plate with rubber inlays on flush buttons, including actuation rods and mounting material. Compatible with insert chute for cleaning tablets.



Colour		Code	Dimensions (mm)
Brushed Bronze (Anti-Fingerprint)		9240435	220 x 150 x 6
Brushed Brass (Anti-Fingerprint)		9240436	220 x 150 x 6

TECEsolid with line structure

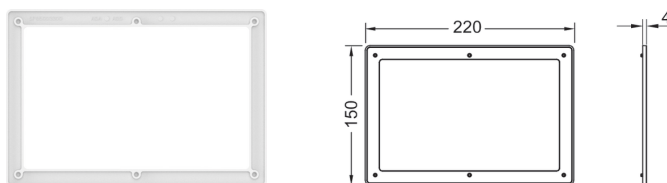
Flush plate with structured surface for TECE cisterns, for front or top actuation. Flat stainless steel flush plate with rubber inlays on flush buttons, including actuation rods and mounting material. Compatible with insert chute for cleaning tablets.



Colour		Code	Dimensions (mm)
Brushed Nickel (Anti-Fingerprint)		9240437	220 x 150 x 6
Brushed Graphite (Anti-Fingerprint)		9240438	220 x 150 x 6

TECEsolid spacing frame

For combination with the TECEsolid flush plate, use as an intermediate spacer frame and for flush mounting of the insert chute II and the TECEsquare II glass.



Colour	Code	Dimensions (mm)
White	9240440	220 x 150 x 4
Grey	9240441	220 x 150 x 4

TECEsolid concealed screws (anti-theft)

Concealed screw connection for anti-theft protection of TECEsolid flush plate, includes assembly tool. For commercial use.



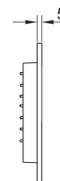
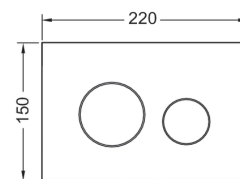
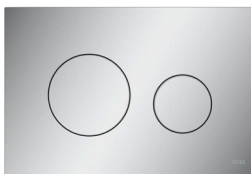
TECEsolid Concealed Screws (Anti-Theft)	9240442	-
---	---------	---

Toilet flush plate - TECEloop

TECEloop plastic toilet flush plate for dual-flush system

Flush plate for TECE cisterns, for front or top actuation. Flat plastic flush plate, flush buttons with rubber inlays, including actuation rods and mounting materials. Suitable for flush-mounted installation in combination with toilet installation frame and spacing frame (See page 25).

Compatible with insert chute for cleaning tablets.

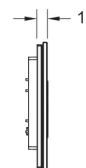
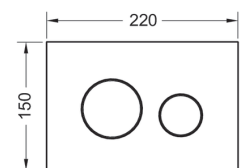
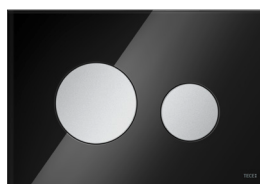


Colour	Code	Dimensions (mm)
Polished white	9240920	220 x 150 x 5
Bright Chrome	9240921	220 x 150 x 5
Matt Chrome	9240922	220 x 150 x 5
Polished White, Buttons Bright Chrome	9240927	220 x 150 x 5
Matt Black	9240925	220 x 150 x 5
Matt White	9240926	220 x 150 x 5
Polished Black	9240924	220 x 150 x 5
Metallic Nickel	9240935	220 x 150 x 5
Metallic Brass	9240936	220 x 150 x 5
Metallic Red Bronze	9240937	220 x 150 x 5
Metallic Graphite	9240938	220 x 150 x 5

TECEloop toilet flush plate for dual-flush system

Flush plate for TECE cisterns, for front or top actuation. Flat glass flush plate with two spring-mounted flush buttons. Suitable for flush-mounted installation in combination with toilet installation frame (See page 25).

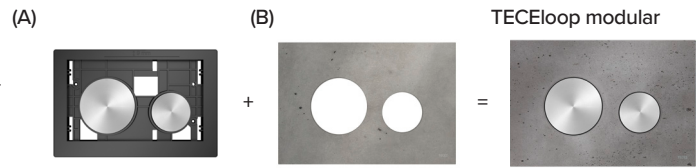
Compatible with insert chute for cleaning tablets.



Colour	Code	Dimensions (mm)
Glass Polished Black, Buttons White	9240654	220 x 150 x 11
Glass Polished Black, Buttons Matt Chrome	9240655	220 x 150 x 11
Glass Polished Black, Buttons Bright Chrome	9240656	220 x 150 x 11
Glass Polished Black, Buttons Black	9240657	220 x 150 x 11
Glass Polished Black, Buttons Gold Plate	9240658	220 x 150 x 11
Glass Polished White, Buttons White	9240650	220 x 150 x 11
Glass Polished White, Buttons Matt Chrome	9240659	220 x 150 x 11
Glass Polished White, Buttons Bright Chrome	9240660	220 x 150 x 11

TECEloop modular

Ultimate flexibility for designers to mix interchangeable modular push buttons (A) with decor panels (B) to offer over 100x variations of finish.



(A) TECEloop modular, dual flush, buttons

Colour	Code	Dimensions (mm)
(A) Buttons, Polished White	9240663	-
(A) Buttons, Matt Chrome	9240665	-
(A) Buttons, Polished Chrome	9240666	-
(A) Buttons, Polished Black	9240667	-
(A) Buttons, Matt White	9240618	-
(A) Buttons, Matt Black	9240619	-
(A) Buttons, Polished Gold	9240668	-
(A) Buttons, Brushed Stainless Steel (Anti Fingerprint)	9240669	-

(B) TECEloop modular, dual flush, decor panel

Colour	Code	Dimensions (mm)
(B) Decor Panel, Glass White	9240671	220 x 150 x 11
(B) Decor Panel, Glass Black	9240674	220 x 150 x 11
(B) Decor Panel, Evening Blue	9240615	220 x 150 x 11
(B) Decor Panel, Titanium	9240616	220 x 150 x 11
(B) Decor Panel, Light Beige	9240617	220 x 150 x 11
(B) Decor Panel, Oak Wood	9240612	220 x 150 x 11
(B) Decor Panel, White Marble	9240613	220 x 150 x 11
(B) Decor Panel, Light Concrete	9240614	220 x 150 x 11
(B) Decor Panel, Slate Slab (Natural Stone Variable Finish)	9240675	220 x 150 x 11

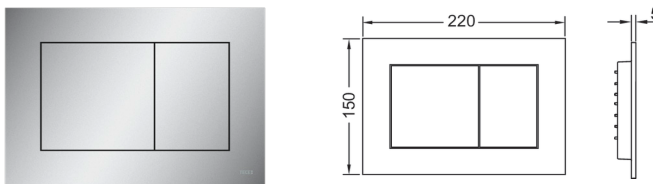
(B) TECEloop modular, dual flush, self finish decor panel

Colour	Code	Dimensions (mm)
(B) Decor Panel, Self Finish NEW	9240631	220 x 150 x 5

Toilet flush plate - TECEnow, TECEvelvet

TECEnow toilet flush plate for dual-flush system

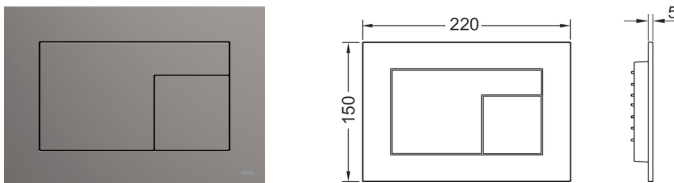
Flush plate for TECE cisterns, for front or top actuation. Flat plastic flush plate, buttons with rubber inlays on both sides. Including actuation rods and mounting material. Suitable for flush-mounted installation in combination with toilet installation frame and spacing frame (**See page 25**). Compatible with insert chute for cleaning tablets.



Colour	Code	Dimensions (mm)
White	9240400	220 x 150 x 5
Bright Chrome	9240401	220 x 150 x 5
Matt Chrome	9240402	220 x 150 x 5
Black	9240403	220 x 150 x 5
Matt Black	9240407	220 x 150 x 5
Matt White	9240417	220 x 150 x 5
Metallic Nickel	9240418	220 x 150 x 5
Metallic Brass	9240419	220 x 150 x 5
Metallic Red Bronze	9240422	220 x 150 x 5
Metallic Graphite	9240423	220 x 150 x 5

TECEvelvet toilet flush plate for dual-flush system

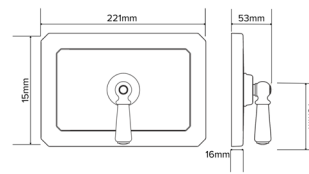
Flat flush control plate with FENIX NTM® surface (FENIX by ARPA Industriale). Matt soft touch surface with anti-fingerprint. Suitable for flush-mounted installation in combination with toilet installation frame and spacing frame (**See page 25**).



Colour	Code	Dimensions (mm)
White	9240735	220 x 150 x 5
Beige	9240733	220 x 150 x 5
Beige Brown	9240730	220 x 150 x 5
Stone Grey	9240734	220 x 150 x 5
Anthracite	9240731	220 x 150 x 5
Black	9240732	220 x 150 x 5

TECtraditional control handle for dual flush system*

Dual flush control handle offering an alternative to standard push button operation. Designed for reliable performance and a sleek finish.



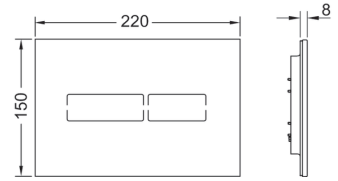
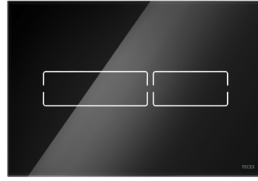
Colour		Code	Dimensions (mm)
Polished Chrome	NEW	02101600	248 x 212 x 16
Polished Nickel	NEW	02101601	248 x 212 x 16
Brushed Brass	NEW	02101602	248 x 212 x 16
Polished Gold	NEW	02101603	248 x 212 x 16

*Check Availability

Toilet flush plate - TECElux mini

(A) TECElux Mini flush plate with electronic touchless actuation

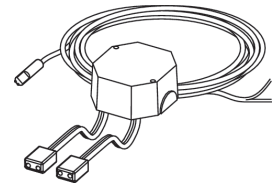
Electronic flush plate with touch-free actuation for TECE cisterns with front actuation and actuation height of approx. 1m (centre flush plate). Flat glass actuation including mounting materials and actuation motor for dual-flush. Suitable for flush-mounted installation (See page 25). Compatible with insert chute for cleaning tablets.



Colour	Code	Dimensions (mm)
Glass Black	9240961	220 x 150 x 8
Glass White	9240960	220 x 150 x 8

(B) TECE transformer for toilet electronics and connection cable

Transformer for the electrical connection of the TECElux Mini as well as the TECEsolid toilet electronics (approx. 1m central flush plate). One flush plate can be connected per transformer. For mounting in a flush-mounted socket with a diameter of 60mm and depth of 63mm. Electrical connection voltage 230v (100-240v, 50-60 Hz), output 12v DC. Cable length 5m.



Item	Code	Dimensions (mm)
TECE Transformer For Toilet Electronics	9810012	-

TECElux Mini programming remote control

Remote control for programming the TECElux Mini electronics. Programmable functions: Recognition field, hygiene flush, actuation time, safety flush and display lighting brightness.



Item	Code	Dimensions (mm)
TECElux Mini Programming Remote Control	9240971	-

TECElux Mini anti-theft device

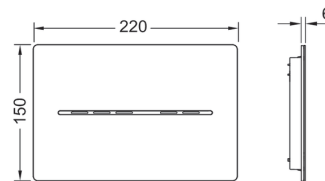
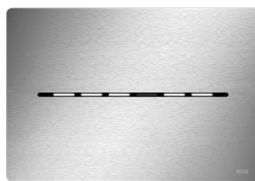
Concealed screw connection for anti-theft protection of TECElux Mini.



Item	Code	Dimensions (mm)
TECElux Mini Anti-Theft Device	9820354	-

TECESolid toilet electronics with touchless actuation

Electronic flush plate with touch-free hygienic flushing for TECE cisterns with front actuation. Height of approx. 1m (centre of flush plate). Flat stainless steel flush plate including fixing material and actuation motor for single or dual flush. Compatible with insertion chute for cleaning tablets.



TECESolid electronic, dual flush, 6v battery

Colour	Code	Dimensions (mm)
Bright Chrome	9240461	220 x 150 x 6
Polished White	9240462	220 x 150 x 6
Matt White	9240463	220 x 150 x 6
Brushed Stainless Steel (Anti-Fingerprint)	9240464	220 x 150 x 6
Matt Black	9240465	220 x 150 x 6

TECESolid electronic, dual flush, 12v mains

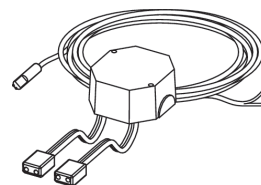
Colour	Code	Dimensions (mm)
Bright Chrome	9240451	220 x 150 x 6
Polished White	9240452	220 x 150 x 6
Matt White	9240453	220 x 150 x 6
Brushed Stainless Steel (Anti-Fingerprint)	9240454	220 x 150 x 6
Matt Black	9240455	220 x 150 x 6



Can be programmed using TECESmartcontrol app. Scan QR code to download.

(B) TECE transformer for toilet electronics and connection cable

Transformer for the electrical connection of the TECElux Mini as well as the TECESolid toilet electronics (approx. 1m central flush plate). One flush plate can be connected per transformer. For mounting in a flush-mounted socket with a diameter of 60mm and depth of 63mm. Electrical connection voltage 230v (100-240v, 50-60 Hz), output 12v DC. Cable length 5m.

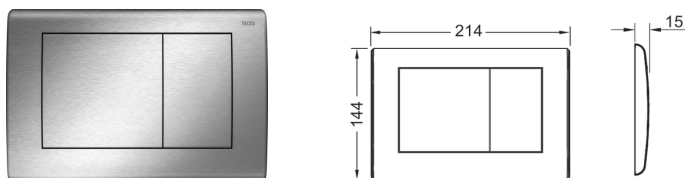


Item	Code	Dimensions (mm)
TECE Transformer For Toilet Electronics	9810012	-

Toilet flush plate - TECEplanus

TECEplanus toilet flush plate

Stainless steel flush plate for TECE cisterns, for front or top actuation, attached with concealed screws. Stop collar with rubber inlays on both sides. Including actuation rod and mounting material. Compatible with insert chute for cleaning tablets.



TECEplanus, single flush

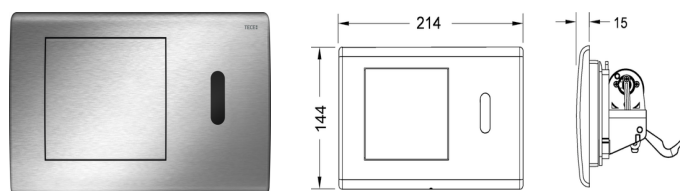
Colour	Code	Dimensions (mm)
Brushed Stainless Steel	9240310	214 x 144 x 15

TECEplanus, dual flush

Colour	Code	Dimensions (mm)
Brushed Stainless Steel	9240320	214 x 144 x 15

TECEplanus electronic flush plate

Hands-free electronic flush control plates and accessories including manual override option. Battery, mains and remote control flush options available.



TECEplanus electronic control IR sensor 6v battery

Colour	Code	Dimensions (mm)
Brushed Stainless Steel	9240350	214 x 144 x 15
Polished Chrome	9240351	214 x 144 x 15
White	9240361	214 x 144 x 15

(A) TECEplanus electronic control IR 230/12v mains

Colour/Description	Code	Dimensions (mm)
Brushed Stainless Steel	9240352	214 x 144 x 15
Polished Chrome	9240353	214 x 144 x 15
White Polished	9240362	214 x 144 x 15
Electronic 12v Connection Cable*	9810004	214 x 144 x 15
Electronic Transformer 240/12v*	9810003	214 x 144 x 15

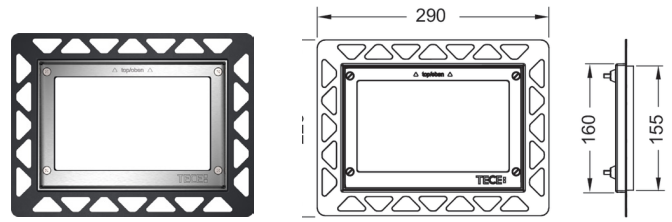
*Required to operate 12v mains

TECEplanus remote controls

Item	Code	Dimensions (mm)
Wireless Remote Control For Grab Rail, 6v Battery	9240354	-
Cable Remote Control For Grab Rail, 6v Battery	9240356	-
Wireless Remote Control For Grab Rail, 12v Mains	9240355	-
Cable Remote Control For Grab Rail, 12v Mains	9240357	-
Remote Button	9240360	-

TECE toilet installation frame for flush-mounted installation

Installation kit for flush-mounted installation of toilet flush plates TECEloop glass, TECEloop plastic, TECEvelvet, TECESquare glass, TECESquare II glass, TECElux Mini as well as TECEnow. Depth-adjustable tile frame for wall coverings from 5-18mm (from 18-33mm with adjustment bolt - Item No. 9820181). Includes disassembly tool for flush plate.

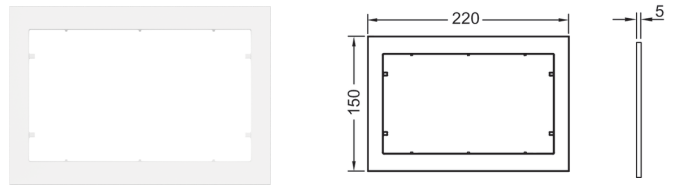


Installation frame required during shell assembly!

Colour	Code	Dimensions (mm)
White	9240646	-
Black	9240647	-
Gold Plate	9240648	-
Chrome	9240649	-
Metal	9240644	-
TECE Extension Set For Natural Stone	9820181	-

TECE spacing frame

Used as an intermediate spacer frame for TECEnow and TECEloop plastic flush plates and for flush mounting of TECEnow, TECEloop plastic, TECEvelvet and TECESquare II glass.



Colour	Code	Dimensions (mm)
White	9240410	220 x 150 x 5
Bright Chrome	9240411	220 x 150 x 5
Matt Chrome	9240412	220 x 150 x 5
Black	9240415	220 x 150 x 5

TECE extension set for TECE toilet flush plates

For extending attachment and actuation rods by max. 12cm.

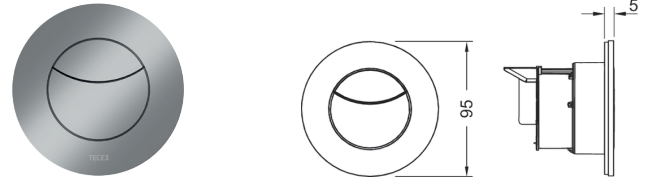


Colour	Code	Dimensions (mm)
TECE Flush Plate Controls Deep Wall Kit	9820030	-

Toilet flush plate - TECEflushpoint

(A) TECEflushpoint pneumatic remote release for dual-flush system, fine installation set, with round cover

Pneumatic remote release for TECE cisterns for decentralised actuation of the cistern in combination with a manual TECE flush plate for use in solid and dry-wall construction or furniture installation. Flat design plastic cover plate in round design, large and small plastic button and the pneumatic actuation unit. Can be placed 1.7m away from the cistern.



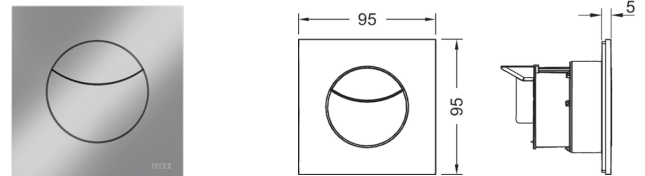
Caution:

Can only be used in combination with the TECEflushpoint pneumatic remote release (lifting engine) shell set (B).

Colour	Code	Dimensions (mm)
Polished White	9240981	95 x 95 x 5
Bright Chrome	9240982	95 x 95 x 5
Matt Chrome	9240983	95 x 95 x 5

(A) TECEflushpoint pneumatic remote release for dual-flush system, fine installation set, with square cover

Pneumatic remote release for TECE cisterns for decentralised actuation of the cistern in combination with a manual TECE flush plate. For use in solid and dry-wall construction or furniture installation. Flat design plastic cover in square design, large and small plastic button and the pneumatic actuation unit. Can be placed 1.7m away from the cistern.



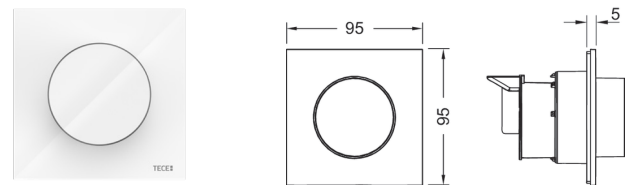
Caution:

Can only be used in combination with the TECEflushpoint pneumatic remote release (lifting engine) shell set (B).

Colour	Code	Dimensions (mm)
Polished White	9240978	95 x 95 x 5
Bright Chrome	9240979	95 x 95 x 5
Matt Chrome	9240980	95 x 95 x 5

(A) TECEflushpoint pneumatic remote release for single-flush system, fine installation set, with square cover

Pneumatic remote release for TECE cisterns for decentralised actuation of the cistern in combination with a manual TECE flush plate. For use in solid and dry-wall construction or furniture installation. Flat design plastic cover plate in square design, large protruding plastic button and the pneumatic actuation unit. Can be placed 1.7m away from the cistern.



Caution:

Can only be used in combination with the TECEflushpoint pneumatic remote release (lifting engine) shell set (B).

Colour	Code	Dimensions (mm)
Polished White	9240984	95 x 95 x 5

**(B) TECEflushpoint pneumatic remote release (lifting engine)
for cisterns with drain valve A2, shell set**

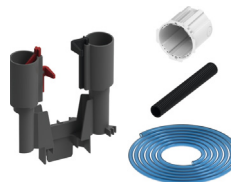


Pneumatic remote control for Uni 750-, Uni and Base cisterns for decentralised cistern actuation in combination with a manual TECE flush plate or an inspection cover. For use in solid and dry-wall construction or furniture installation.

Consisting of: pneumatic actuator for Uni cistern, flush-mounted socket, 2m pneumatic hose, 2m empty conduit, installation depth: 75mm.

Description	Code	Dimensions (mm)
Standard Lifting Engine	9240976	-

**(B) TECEflushpoint pneumatic remote release (lifting engine)
for cistern with drain valve A5, shell set**



Pneumatic remote control for Compact 320- and Octa II slimline- for decentralised cistern actuation in combination with a manual TECE flush plate or an inspection cover. For use in solid and dry-wall construction or furniture installation.

Consisting of: pneumatic actuator for cistern, flush-mounted socket, 2m pneumatic hose, 2m empty conduit, installation depth: 75mm.

Description	Code	Dimensions (mm)
320 & Slimline Lifting Engine	9240977	-





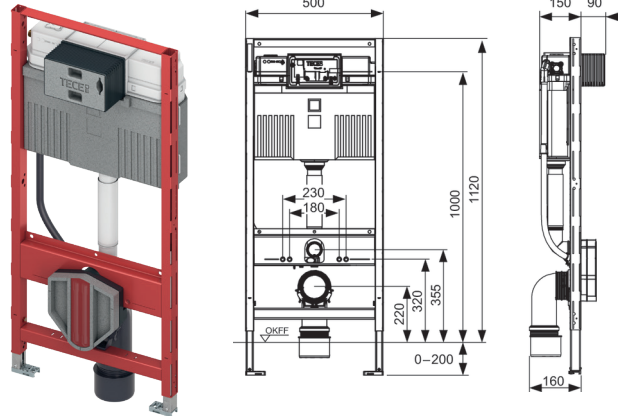
	Page
TECEprofil design	30
TECEconstruct professional	31
TECE special purpose modules	32
Accessories	34

Sanitary modules - TECEprofil design

TECEprofil toilet module “Design” with Uni cistern, WRAS approval, installation height 1120mm

Toilet module including “easy fit” flush plate installation and conduit to connect electronic shower toilets. For fitting to TECEprofil wall building system or for installation in metal or wooden stud walls and as a pre-wall or corner module; also suitable for solid wall. Front actuation. **Wall brackets included.**

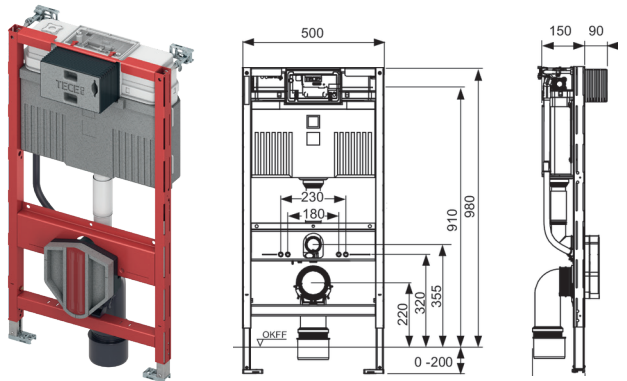
Code	Dimensions (mm)
9300377	1120 x 500 x 150



TECEprofil toilet module “Design” with Uni cistern, WRAS approval, installation height 980mm

Toilet module including “easy fit” flush plate installation and conduit to connect electronic shower toilets. For fitting to TECEprofil wall building system or for installation in metal or wooden stud walls and as a pre-wall or corner module. Front and top actuation. **Wall brackets included.**

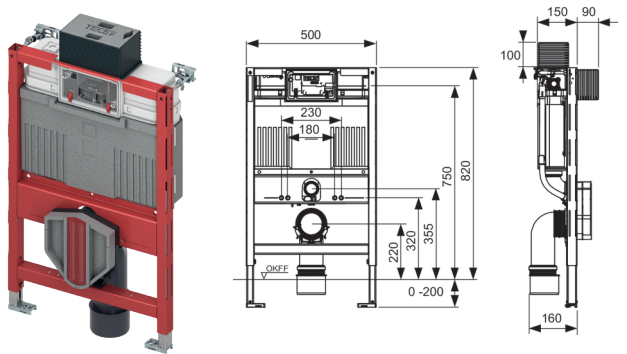
Code	Dimensions (mm)
9300329	980 x 500 x 150



TECEprofil toilet module “Design” with Uni cistern, WRAS approval, installation height 820mm

Toilet module including “easy fit” flush plate installation and conduit to connect electronic shower toilets. For fitting to TECEprofil wall building system or for installation in metal or wooden stud walls and as a pre-wall or corner module. Front and top actuation. **Wall brackets included.**

Code	Dimensions (mm)
9300378	820 x 500 x 150



TECEprofil Design shower toilet connection sets

Connect TECEprofil design cistern frames to TECE shower toilets. Also suitable for electronic shower toilets.

TECE shower toilet/seat connection set for Design, H112

Code	Dimensions (mm)
9880052AG	-

TECE shower toilet/seat connection set for Design, H98

Code	Dimensions (mm)
9880053AG	-

TECE shower toilet/seat connection set for Design, H82

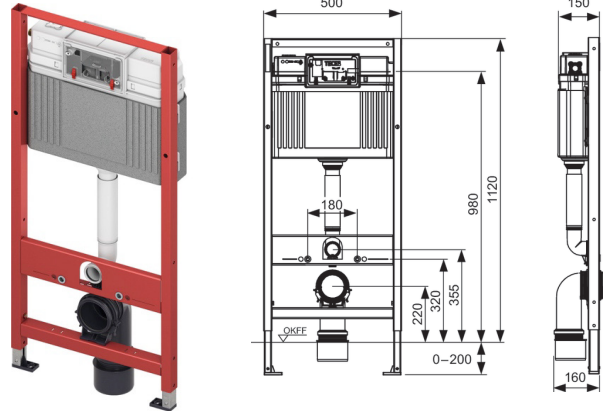
Code	Dimensions (mm)
9880054AG	-



TECEconstruct “Professional” toilet module with Uni cistern, WRAS approval, installation height 1120mm

Toilet module including “easy fit” flush plate assembly. Suitable for solid wall, as a pre-wall module in front of solid walls and for installation in metal or wooden stud walls. Front actuation. **Wall brackets included.**

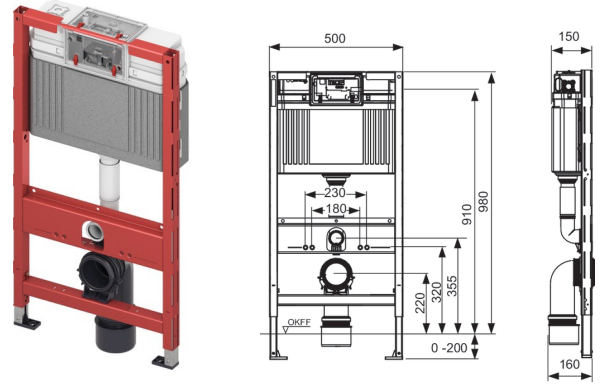
Code	Dimensions (mm)
9400302	1120 x 500 x 150



TECEconstruct “Professional” toilet module with Uni cistern, WRAS approval, installation height 980mm

Toilet module including “easy fit” flush plate assembly. Suitable for solid wall, as a pre-wall module in front of solid walls and for installation in metal or wooden stud walls. Front and top actuation. **Wall brackets included.**

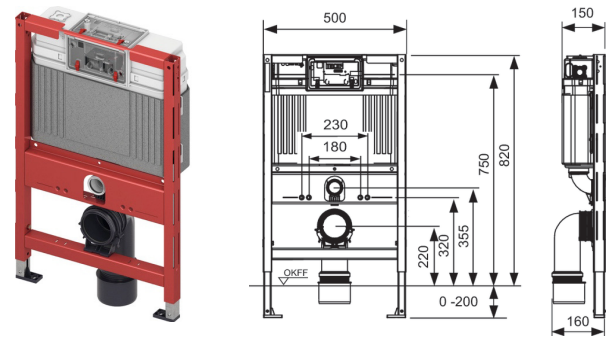
Code	Dimensions (mm)
9400303	980 x 500 x 150



TECEconstruct “Professional” toilet module with Uni cistern, WRAS approval, installation height 820mm

Toilet module including “easy fit” flush plate assembly. Suitable for solid wall, as a pre-wall module in front of solid walls and for installation in metal or wooden stud walls. Front and top actuation. **Wall brackets included.**

Code	Dimensions (mm)
9400304	820 x 500 x 150

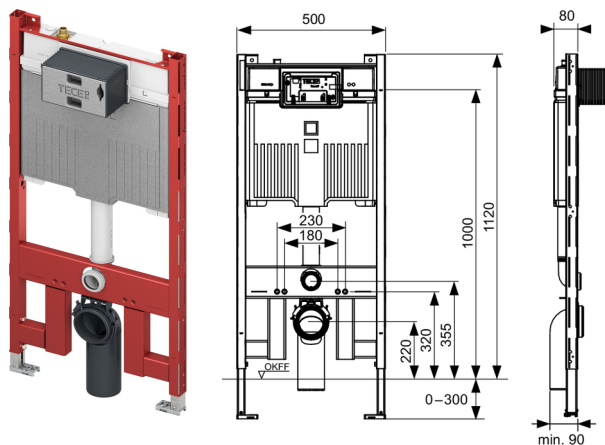


Sanitary modules - Special purpose

TECEprofil toilet module with 8cm Octa II cistern, installation height 1120mm

Toilet module including "easy fit" flush plate installation. For fitting to wallbuilding system or for installation in metal or wooden stud walls and as a pre-wall or corner module.

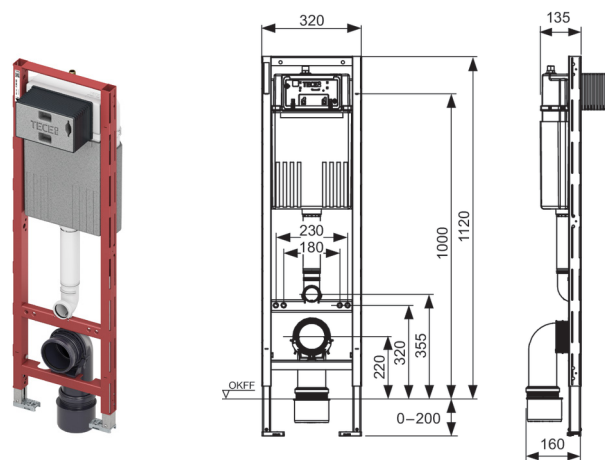
Code	Dimensions (mm)
9300502	1120 x 500 x 80



TECEprofil toilet module with Compact 320 cistern, installation height 1120mm

Toilet module including "easy fit" flush plate assembly. For fixing to wallbuilding system or for installation in metal or wooden stud walls and as a pre-wall or corner module; also suitable for solid wall.

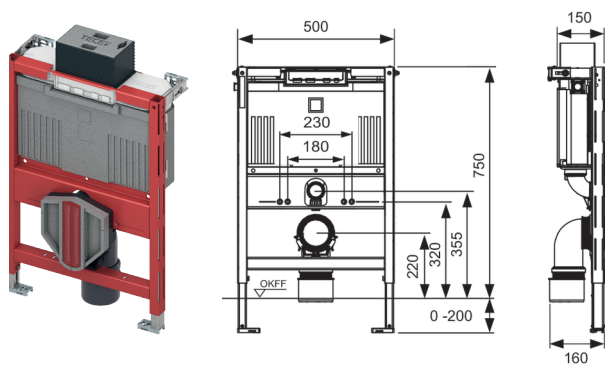
Code	Dimensions (mm)
9300600 NEW	1120 x 320 x 150



TECEprofil toilet module with Uni 750 cistern, installation height 750mm

Toilet module including "easy fit" flush plate assembly. For fitting to wallbuilding system or for installation in metal or wooden stud-and-beam walls and as a pre-wall or corner module; also suitable for solid wall.

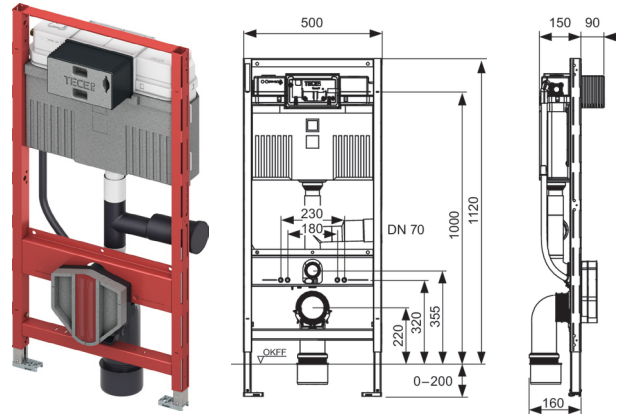
Code	Dimensions (mm)
9300291 NEW	750 x 500 x 150



TECEprofil toilet module with Uni cistern, with connection for odour extraction (DN70), installation height 1120mm

Toilet module including "easy fit" flush plate installation and conduit to connect electronic shower toilets. For fitting to wallbuilding system or for installation in metal or wooden stud walls and as a pre-wall or corner module; also suitable for solid wall. **Excludes wall brackets.**

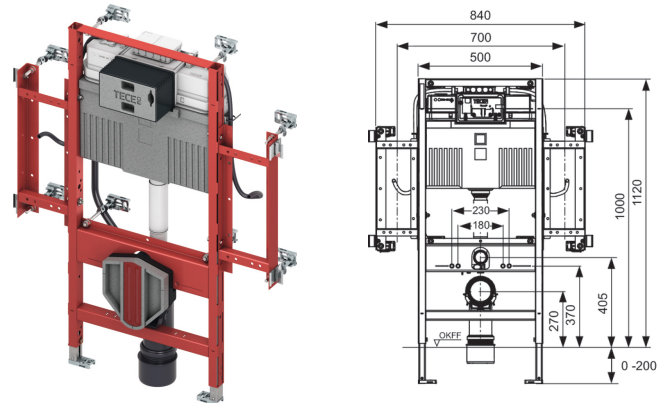
Code	Dimensions
9300303	1120 x 500 x 150



TECEprofil WC Geronto module with Uni cistern, ceramic attachment for sitting height of 48cm, DDA compliant, installation height 1120mm

Toilet module including "easy fit" flush plate installation and conduit to connect electronic shower toilets. For in front of a solid wall. For barrier-free construction with raised ceramic attachment. Module with lateral steel frames and conduits for cable laying, including mounting materials. Safety support arm height = 760mm.

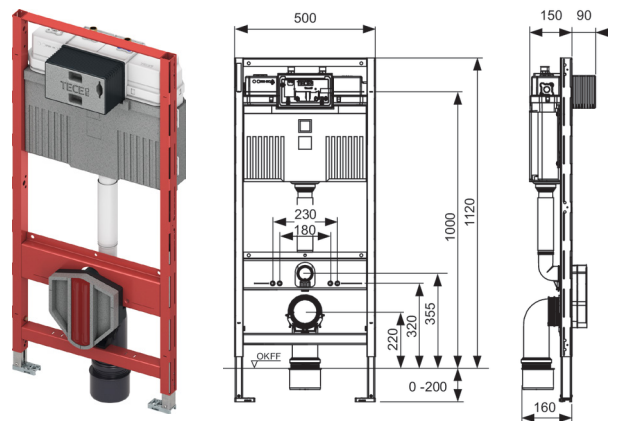
Code	Dimensions
9300309	1120 x 940 x 150



TECEprofil toilet module with Uni cistern, with integrated warm and cold water hygiene flushing function, installation height 1120mm

Toilet module including "easy fit" flush plate assembly. For fixing to wallbuilding system or for installation in metal or wooden stud walls and as a pre-wall or corner module; also suitable for solid wall. **Excludes wall brackets.**

Code	Dimensions
9300102	1120 x 500 x 150



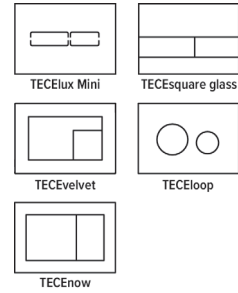
Sanitary modules - Accessories

TECE insert chute II for cleaning tablets (TECElux Mini, TECEsquare glass, TECEvelvet, TECEloop and TECEnow)

For inserting toilet cleaning tablets into Uni (TECEbox) and Base cisterns; in combination with TECElux Mini, TECEsquare glass, TECEvelvet, TECEloop and TECEnow flush plates; for installation from the front; suitable for flush-mounted installation.

Use in brick-wall construction from 22mm wall structure.
Maximum wall structure: 79mm dry-wall construction, 98mm brick-wall construction.

Attention:
The cleaning tablets used must not contain chlorine or any other oxidizing components.
Not compatible with TECEflushpoint pneumatic remote release.



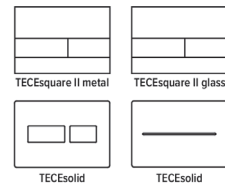
Item	Code	Dimensions (mm)
Insert Chute For lux mini, square glass, velvet, loop and now	9240951	-

TECE insert chute II for cleaning tablets (TECEsquare II metal, TECEsquare II glass and TECEsolid)

For inserting toilet cleaning tablets into Uni (TECEbox) and Base cisterns; in combination with TECEsquare II metal, TECEsquare II glass and TECEsolid flush plates; for installation from the front; suitable for flush-mounted installation in conjunction with the TECEsquare II glass and the TECEsolid spacing frame.

Use in brick-wall construction from 32mm wall structure.
Maximum wall structure: 89mm dry-wall construction, 108mm brick-wall construction.

Attention:
The cleaning tablets used must not contain chlorine or any other oxidizing components.
Not compatible with TECEflushpoint pneumatic remote release.



Description	Code	Dimensions (mm)
Insert Chute For square II metal, square II glass and solid	9240952	-

TECE throttle set for Uni (standard) cisterns

Throttle set to adapt the Uni and Base cistern flushing pressure, installs in valve seat of drain valve, diameter 46-28mm.



Item	Code	Dimensions (mm)
TECE Throttle Set For Uni (Standard) Cisterns	9820337	-

TECE throttle set for Octa II, and Compact 320 cisterns

Throttle set for adjusting the flush pressure for Octa II slimline, and Compact 320 cisterns, installation in the valve seat of the drain valve, diameter 32-28mm.



Item	Code	Dimensions (mm)
TECE Throttle Set for Octa II Slimline, and Compact 320 Cistern	9820394	-

Sanitary modules - Accessories

TECEprofil module attachment brackets with depth adjustment and quick closure

To attach modules to a solid structural wall and to the TECEprofil section tube, installation spacing 150-240mm.



Consisting of:

- Two depth-adjustable module brackets.
- Mounting materials.

Item	Code	Dimensions (mm)
TECEprofil Module Attachment With Depth Adjustment and Quick Closure	9380014	-

TECE wall attachment brackets 90°

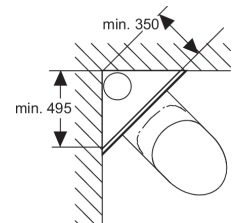
Single module attachment to fasten a module to a stable wall.



Item	Code	Dimensions (mm)
TECE Wall Attachment Brackets 90°	9380300	-

TECE wall attachment brackets 45°

Module attachment brackets to fasten a module to a solid structural wall at a 45° angle.



Compact 320 dimensions used in diagram

Consisting of:

- Two wall attachment brackets 45°.
- Fixing material.

Item	Code	Dimensions (mm)
TECE Module Attachment Brackets 45°	9380301	-

TECEprofil module attachment brackets for variable corner installation

To attach TECE modules in front of a structural corner. Space-saving corner assembly, including fitting of downpipes, ventilation pipes or supply pipes behind the module, is an option with all modules.



Consisting of:

- Two wall attachment brackets for corner assembly, variable elbow.
- Mounting material for assembly in front of the wall.

Item	Code	Dimensions (mm)
TECE Module Attachment Brackets For Variable Corner Installation	9380003	-

TECE panel kit for niches

Top for TECE modules for assembly and attachment in niches of 680-1130mm, including mounting materials.



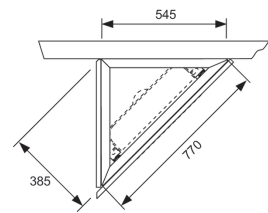
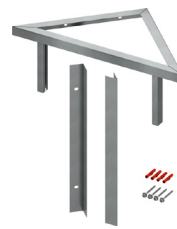
Note:

Panel kit can only be used in combination with front actuation.

Item	Code	Dimensions (mm)
TECE Panel Kit For Niches	9380013	-

TECE module attachment brackets for 45° wall corner installation

To attach TECE modules to a solid or lightweight wall at a 45° angle. Only one side needs to be screwed to the wall.



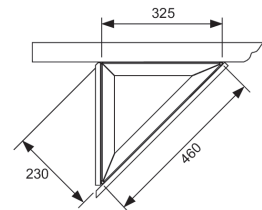
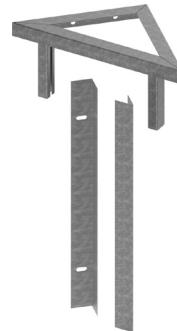
Completely pre-assembled unit, consisting of:

- Assembly crossbeam with galvanised surface, height-adjustable, for adaptation to tile pattern.
- Galvanised light weight wall profile to attach panel facing.
- Mounting material for assembly on the wall.

Item	Code	Dimensions (mm)
TECE Module Attachment Brackets For 45° Wall Corner Installation	9380004	-

TECEprofil 320 module attachment brackets for wall corner assembly

For mounting TECE modules with a frame width of 320mm at an angle of 45° to a solid or plasterboard wall. Only one leg needs to be screwed to the wall.



Completely pre-assembled unit, consisting of:

- Mounting crossbeam with galvanised surface, height-adjustable, for adapting to the tile grid.
- Zinc-plated lightweight profile for fastening the cladding.
- Mounting material for wall assembly.

Item	Code	Dimensions (mm)
TECEprofil 320 Module Attachment Brackets for Wall Corner Assembly	9380015	-

Sanitary modules - Accessories

TECE toilet connection set DN90, polypropylene, 200mm

Toilet connection set for wall-mounted toilets.

Consisting of:

- Waste water connection pipe with seal.
- Flush pipe connection with seal.
- Toilet mounting set with caps.



Item	Code	Dimensions (mm)
TECE Toilet Connection Set DN 90	9820057	-

TECE waterways toilet connection set DN90, polyethylene, 300mm

Toilet connection set for wall-mounted toilets.

Consisting of:

- Waste water connection pipe with seal.
- Flush pipe connection with seal.
- Toilet mounting set with caps.



Item	Code	Dimensions (mm)
TECE Toilet Connection Set DN 90	9820214	-

TECE toilet connection set split-level 25mm, DN90

Polyethylene connection set split-level 25mm for wall-hung toilets, DN90, including mounting materials.

Note:

Without warranty, may lead to reduced non-standard flushing performance.



Item	Code	Dimensions (mm)
TECE Toilet Comfort Height Connection Set	9880073	-

TECE shallow pan support bracket

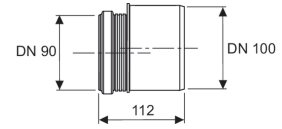
For additional support in module frames for toilet ceramics with a reduced supporting surface (= distance from middle of attachment bolt to lower edge of supporting surface is not greater than 18cm). - e.g. V & B Memento and Subway 2.0. Suitable for TECE dry-wall modules with Uni 750, Uni or Base cisterns.



Item	Code	Dimensions (mm)
TECE Shallow Pan Support Bracket	9041029	-

TECE toilet connector, DN90/100

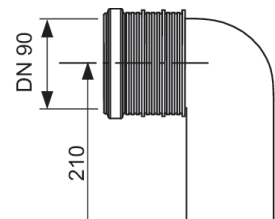
Toilet connector to connect toilet modules horizontally to a DN100 drain pipe. BS4" waste adaptor.



Item	Code	Dimensions (mm)
TECE Toilet Connector, DN90/100	9820136	-

TECE 90° toilet connection elbow, DN90/90

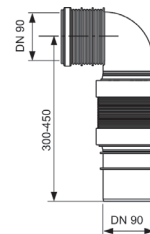
Toilet connection elbow, to connect a toilet module to a DN90 drain, adjustable to three depths.



Item	Code	Dimensions (mm)
TECE 90° Toilet Connection Elbow, DN90/90	9820134	-

TECE toilet connection elbow DN 90, flexible

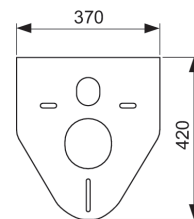
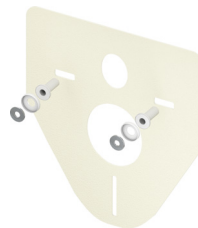
Flexible drain bend DN90, connection piece material PE-HD (weld-able).



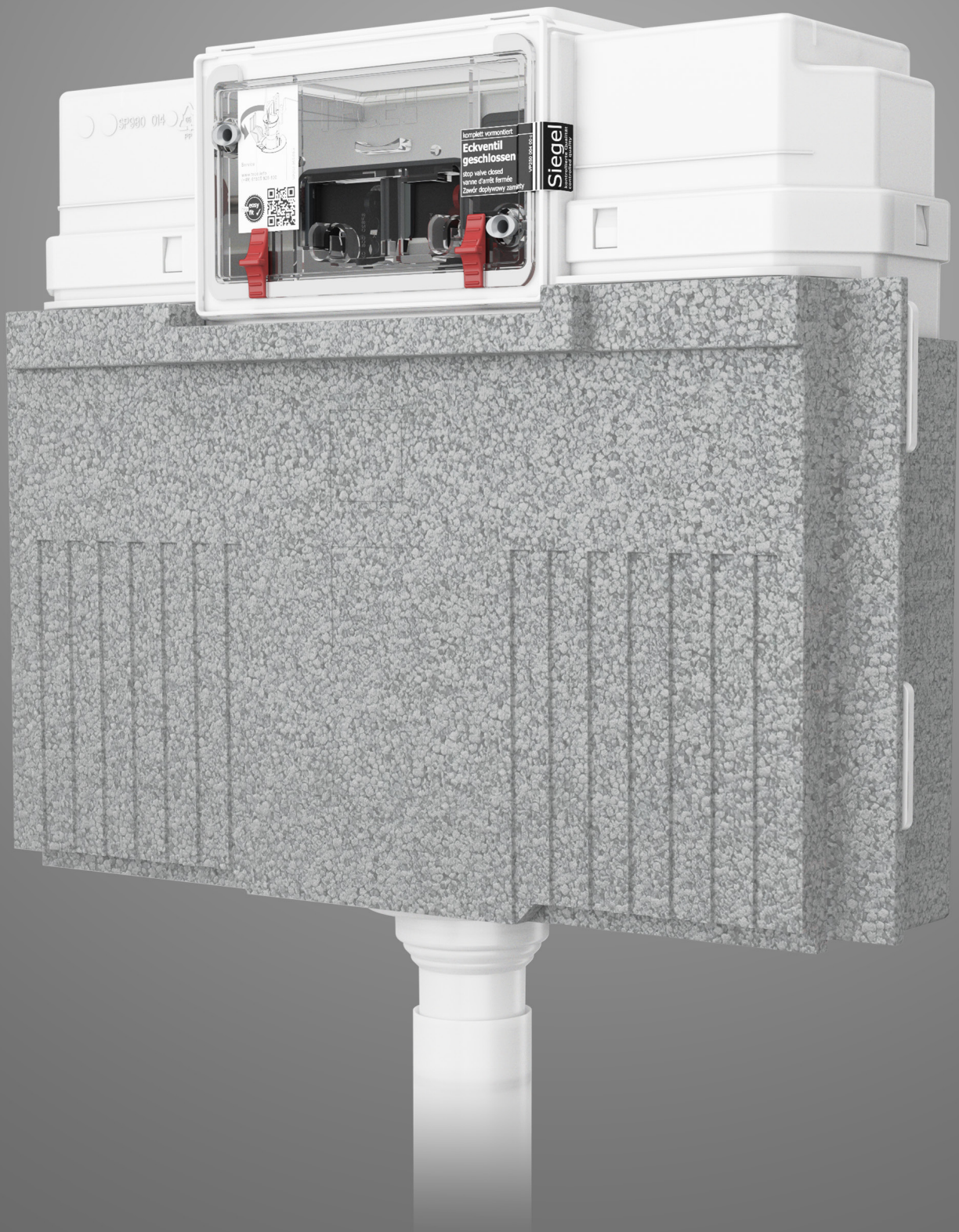
Item	Code	Dimensions (mm)
TECE Toilet Connection Elbow DN90, Flexible	9820317	-

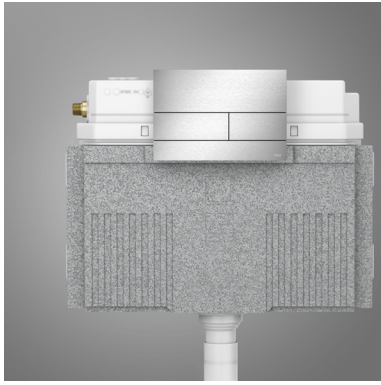
TECE sound-insulation kit for toilet and bidet

Sound insulation kit for sound insulation between the toilet or bidet ceramics and tile layer.



Item	Code	Dimensions (mm)
TECE Sound-Insulation Kit For Toilet and Bidet	9200010	-





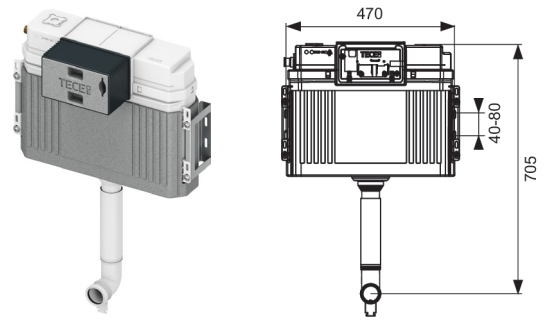
	Page
TECEuni	42
Special purpose cisterns	43

Cisterns - TECE uni

TECEbox toilet connection unit with Uni cistern, WRAS approval, installation height 1060mm

Toilet connection unit including "easy fit" flush plate mounting; with retaining lugs for mounting in front of a solid wall.

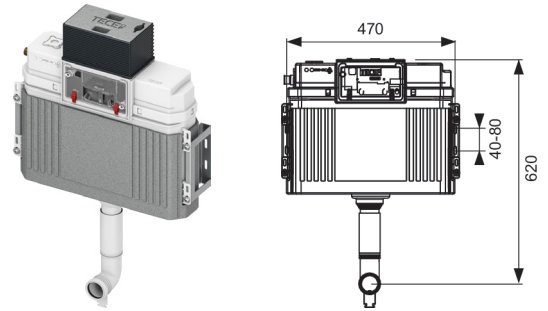
Code	Nominal Height (mm)
9041336	1120



TECEbox toilet connection unit with Uni cistern, WRAS approval, installation height 980mm

Toilet connection unit including "easy fit" flush plate mounting; with retaining lugs for mounting in front of a solid wall.

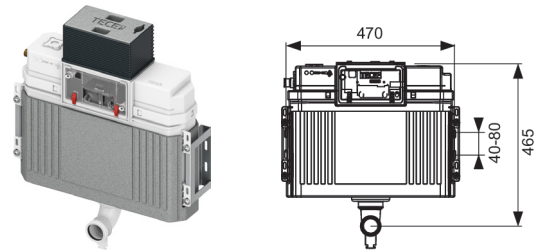
Code	Nominal Height (mm)
9041337	980



TECEbox toilet connection unit with Uni cistern, WRAS approval, installation height 820mm

Toilet connection unit including "easy fit" flush plate mounting; with retaining lugs for mounting in front of a solid wall.

Code	Nominal Height (mm)
9041335	820

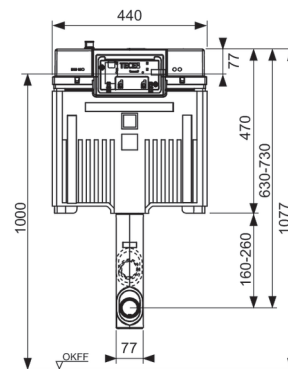
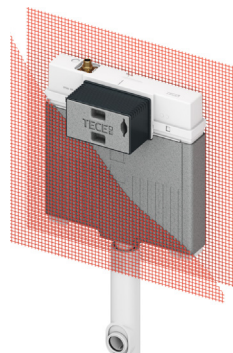


Cisterns

TECEbox Octa II cistern, 8cm, for floor-standing toilet, with reinforcement fabric, installation height 1075mm

Slimline concealed cistern for use with back-to-wall or floor-standing WC pans. Designed for front actuation. Combines space-saving installation with reliable, quiet, and efficient performance.

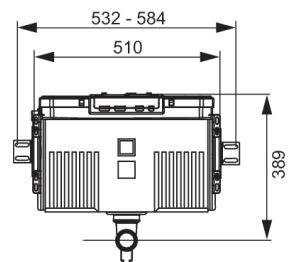
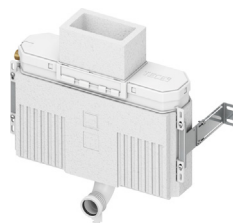
Code	Nominal Height (mm)
9370500	1120



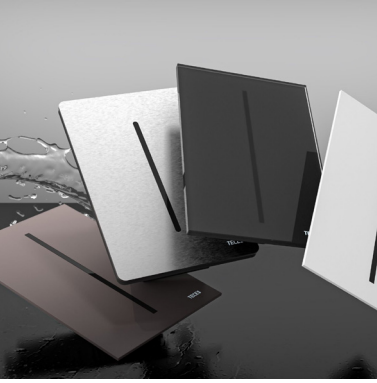
TECEbox Uni 750 cistern, installation height 750mm

Toilet cistern including “easy fit” flush plate assembly. For installation in a bricked-in pre-wall in front of a solid wall; depth-adjustable.

Code	Nominal Height (mm)
9300293	NEW 750





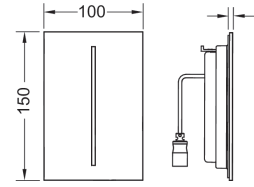


	Page
TECEfilo	46
TECE urinal modules	48
TECE washing modules	49

Urinal Systems - TECEfilo

(A) TECEfilo urinal sensor plate

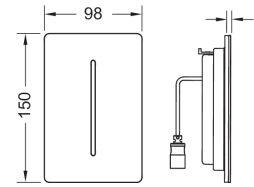
Hands-free electronic flush control plates and accessories including manual override option. 12v mains or 7.2v battery flush valves required for use. Flush Valve required (B).



Colour	Code	Dimensions (mm)
Brushed Stainless Steel (Anti Fingerprint)	9242068	100 x 150 x 4
White Glass	9242064	100 x 150 x 7
Black Glass	9242065	100 x 150 x 7
Polished White ABS	9242066	100 x 150 x 5
Bright Chrome ABS	9240067	100 x 150 x 5

(A) TECEfilo urinal sensor plate, solid

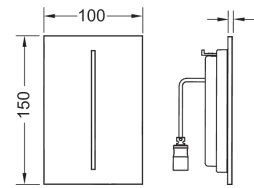
Hands-free electronic flush control plates and accessories including manual override option. 12v mains or 7.2v battery flush valves required for use. Flush Valve required (B).



Colour	Code	Dimensions (mm)
Polished White	9242072	98 x 150 x 6
Matt White	9242073	98 x 150 x 6
Brushed Stainless Steel	9242074	98 x 150 x 6
Brushed Stainless Steel (Anti-Fingerprint)	9242075	98 x 150 x 6
Bright Chrome	9242076	98 x 150 x 6
Matt Black	9242077	98 x 150 x 6

(A) TECEfilo urinal sensor plate, velvet

Hands-free electronic flush control plates and accessories including manual override option. 12v mains or 7.2v battery flush valves required for use. Flush Valve required (B).



Colour	Code	Dimensions (mm)
White	9242081	100 x 150 x 5
Black	9242082	100 x 150 x 5
Beige Brown	9242083	100 x 150 x 5
Grey Beige	9242084	100 x 150 x 5
Anthracite	9242085	100 x 150 x 5
Stone Grey	9242086	100 x 150 x 5

(B) TECEfilo valve unit 230/12v mains

Solenoid valve 230/12v mains with dirt filter; can be used from minimum flow pressure 0.5 bar. For combination with the TECEfilo sensor cover and the flush valve U2.



Colour	Code	Dimensions (mm)
TECEfilo Flush Valve 230/12v Mains Version	9242092	-

(B) TECEfilo valve unit 230/12v mains

Solenoid valve 7.2v battery with dirt filter; can be used from minimum flow pressure 0.5 bar. For combination with the TECEfilo sensor cover and the flush valve U2, including battery 7.2v (2 x R6 - AA (3.v)).



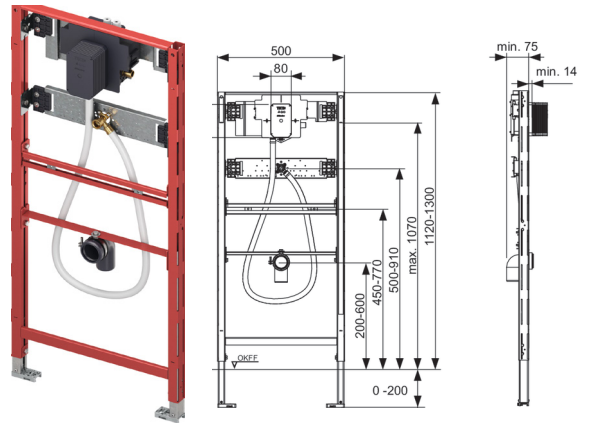
Colour	Code	Dimensions (mm)
TECEfilo Flush Valve 7.2v Battery Version	9242091	-

Urinal Systems - Urinal modules

TECEprofil urinal module with TECE flush valve housing U2, installation height 1120mm

Urinal module for combination with TECEfilo valve unit and sensor cover, for fixing to wallbuilding system or for installation in metal or wooden stud-and-beam walls and as a pre-wall or corner module.

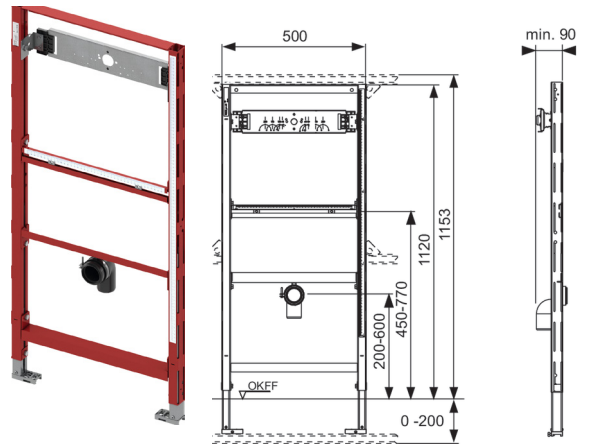
Code	Dimensions (mm)
9320013	1120 x 500



TECEprofil urinal module for wall-mounted flush valve, installation height 1120mm

Urinal module to hold wall-mounted flush valves. To attach to wallbuilding system or to install in metal or wooden stud walls and as pre-wall or corner module.

Code	Dimensions (mm)
9320010	1120 x 500

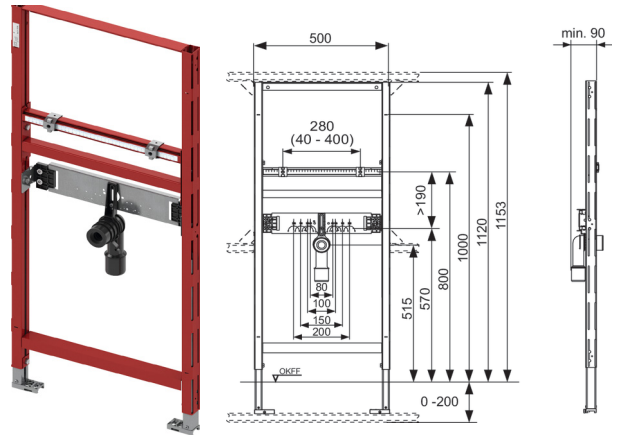


Urinal Systems - Washstand modules

TECEprofil washstand module, installation height 1120mm

To attach to wallbuilding system or to install in metal or wooden stud walls and as pre-wall or corner module. **Excludes wall brackets.**

Code	Dimensions (mm)
9310000	1120 x 500

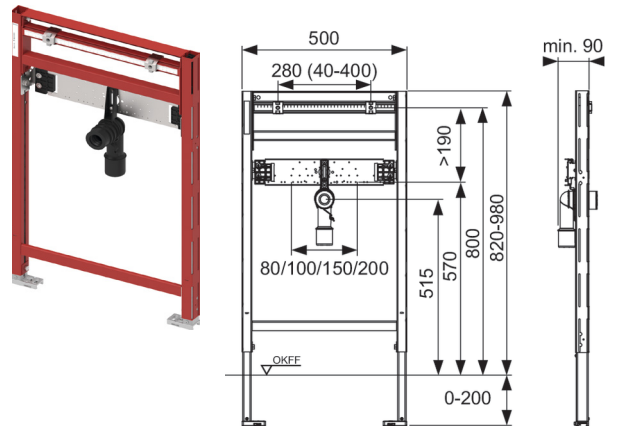


TECEprofil washstand module, installation height 820-980mm

Washstand module for attachment to wallbuilding system or for installation in metal or wooden stud walls and as a pre-wall or corner module.

Excludes wall brackets.

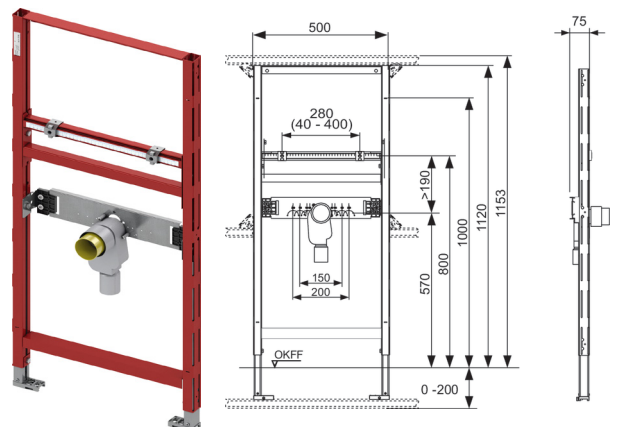
Code	Dimensions (mm)
9310018	1120 x 500



TECEprofil washstand module with concealed odour trap, installation height 1120mm

To attach to wallbuilding system or to install in metal or wooden stud walls and as pre-wall or corner module. For construction of washstand units with a ground clearance to DIN 18040-1 (construction of accessible buildings – Part 1: Publicly accessible buildings). **Excludes wall brackets.**

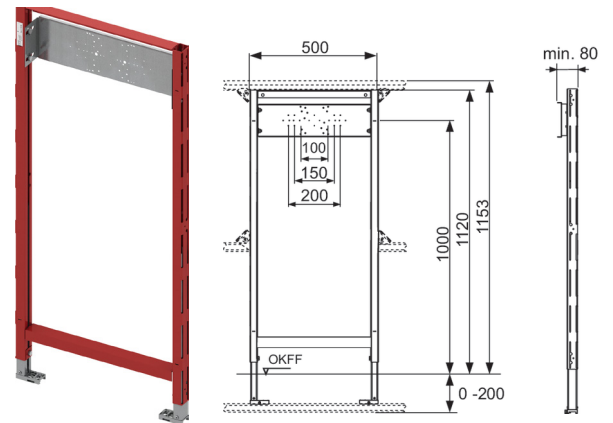
Code	Dimensions (mm)
9310004	1120 x 500



TECEprofil bath/shower module for flush-mounted and wall-mounted fittings, installation height 1120mm

Bath/shower module to attach to wallbuilding system or to install in metal or wooden stud walls and as pre-wall or corner module; to take wall-mounted or flush-mounted fittings.

Code	Dimensions (mm)
9340000	1120 x 500





TECElux

TECElux

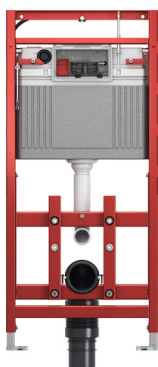
TECElux is a smart toilet terminal that prepares your bathroom for the future. It hides all necessary connections behind the wall, allowing easy upgrades like shower toilets at a later time. With sleek design and modular flexibility, it offers comfort today and freedom for tomorrow.

Modular system where you pick the **TECElux module (A)**, **Upper panel (B)** and **Lower panel (C)** to have the full TECElux product.

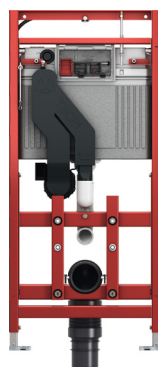
(A) TECElux module (page 54)



TECElux module 100



TECElux module 200



TECElux module 400

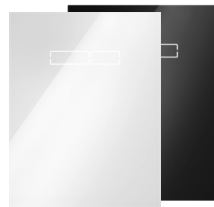
(B) Upper panel (page 55)



White/Black buttons

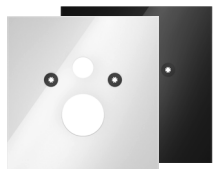


Chrome buttons

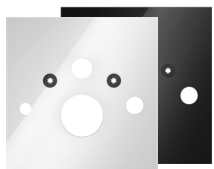


"Sen-Touch" buttons

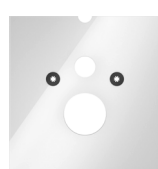
(C) Lower panel (page 55)



Standard toilet



Shower toilet



Shower toilet seat



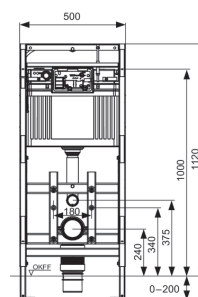
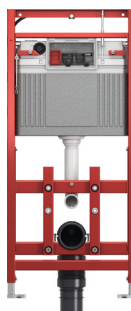
For more information or guidance please contact our office 01761 241133

TECElux - Toilet modules (A)

(A) TECElux toilet module 100, installation height 1120mm

Dry-wall construction element for fitting to TECEprofil section tubes or for installation in metal or wooden stud walls and as a pre-wall or corner module. For TECElux glass facing with actuation unit.

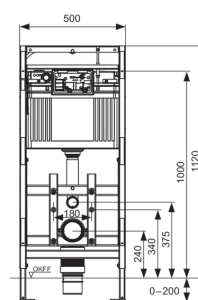
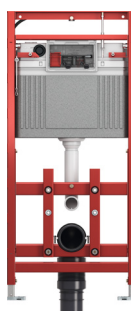
Code	Dimensions (mm)
9600100	1120 x 500 x 150



(A) TECElux toilet module 200, with subsequent height adjustment, installation height 1120mm

Dry-wall construction element for installation in metal or wooden stud walls. For TECElux glass facing with actuation unit Sen-Touch and glass facing, subsequent 8cm manual height adjustment option.

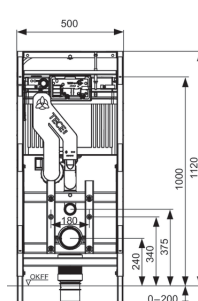
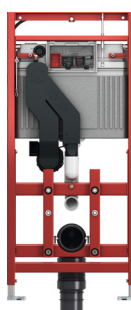
Code	Dimensions (mm)
9600200	1120 x 500 x 150



(A) TECElux toilet module 400, subsequent height adjustment, with odour extraction, installation height 1120mm

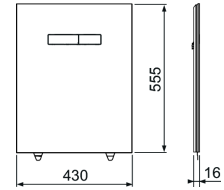
Dry-wall construction element for installation in metal or wooden stud walls. For TECElux glass facing with actuation unit Sen-Touch and glass facing, subsequent 8cm manual height adjustment option, with "Ceramic-Air" odour extraction.

Code	Dimensions (mm)
9600400	1120 x 500 x 150



(B) TECElux glass facing

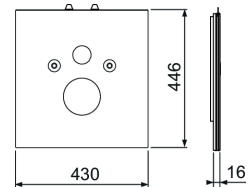
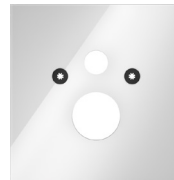
Upper glass facing with actuation unit for TECElux module with two-flush buttons. Installation only in conjunction with lower glass facing.



Description	Code	Dimensions (mm)
Manual Actuation Glass White Buttons White	9650000	555 x 430 x 16
Manual Actuation Glass White Buttons Bright Chrome	9650001	555 x 430 x 16
Manual Actuation Glass Black Bright Chrome Buttons	9650004	555 x 430 x 16
Manual Actuation Glass Black Buttons Black	9650005	555 x 430 x 16
Electric Actuation Glass White	9650002	555 x 430 x 16
Electric Actuation Glass Black	9650003	555 x 430 x 16

(C) TECElux lower glass facing

Lower glass facing for combination with toilet ceramics, including sound insulation set. Available in multiple variants for different toilet manufacturers.



Description	Code	Dimensions (mm)
For Standard Toilet Glass White	9650100	446 x 430 x 16
For Shower Toilet Glass White	9650101	446 x 430 x 16
For Shower Toilet Seat Glass White	9650102	446 x 430 x 16
For Duravit Shower Toilet Glass White	9650103	446 x 430 x 16
For Geberit Shower Toilet Glass White	9650104	446 x 430 x 16
For Standard Toilet Glass Black	9650105	446 x 430 x 16
For Shower Toilet Glass Black	9650106	446 x 430 x 16
For Duravit Shower Toilet Glass Black	9650107	446 x 430 x 16
For Geberit Shower Toilet Glass Black	9650108	446 x 430 x 16
For TECEone and TECEno Glass White	9650109	446 x 430 x 16
For TECEone and TECEno Glass Black	9650110	446 x 430 x 16





	Page
TECE ELITEpro	58
TECE ELITE single point drain	59

Drainage Systems - TECE ELITEpro

TECE ELITEpro linear floor drain

All in one Linear floor gully in Stainless Steel, Includes reversible tile insert grate and chassis. With 1 horizontal waste & trap. The universal floor drain. Complete with factory fitted membrane. Suits: 10mm - 20mm thick finishes.



TECE ELITEpro Shower Channel, Fitted Membrane, Tile Grate & Trap

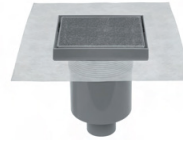
Description	Code	Dimensions (mm)
500mm Shower Channel, Fitted Membrane, Tile Grate & Trap	00800280	500
600mm Shower Channel, Fitted Membrane, Tile Grate & Trap	00800281	600
700mm Shower Channel, Fitted Membrane, Tile Grate & Trap	00800282	700
800mm Shower Channel, Fitted Membrane, Tile Grate & Trap	00800283	800
900mm Shower Channel, Fitted Membrane, Tile Grate & Trap	00800284	900
1000mm Shower Channel, Fitted Membrane, Tile Grate & Trap	00800285	1000
1100mm Shower Channel, Fitted Membrane, Tile Grate & Trap	00800286	1100
1200mm Shower Channel, Fitted Membrane, Tile Grate & Trap	00800287	1200
1300mm Shower Channel, Fitted Membrane, Tile Grate & Trap	00800288	1300
1400mm Shower Channel, Fitted Membrane, Tile Grate & Trap	00800289	1400
1500mm Shower Channel, Fitted Membrane, Tile Grate & Trap	00800290	1500
1600mm Shower Channel, Fitted Membrane, Tile Grate & Trap	00800291	1600
1700mm Shower Channel, Fitted Membrane, Tile Grate & Trap	00800292	1700
1800mm Shower Channel, Fitted Membrane, Tile Grate & Trap	00800293	1800
1900mm Shower Channel, Fitted Membrane, Tile Grate & Trap	00800294	1900
2000mm Shower Channel, Fitted Membrane, Tile Grate & Trap	00800295	2000

TECE ELITEpro Concrete Installation Pack

Description	Code	Dimensions (mm)
500 - 1200mm Drains	009000500	-
1300 - 2000mm Drains	009001300	-

TECE ELITE single point drain

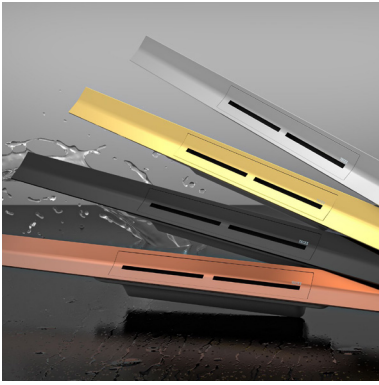
2 sizes of single point drain in Stainless Steel, with UK compliant trap system. Height adjustable frame and reversible grate allows for tile insert or brushed stainless steel finish. Suitable for 10mm - 20mm floor finishes.



Description	Code	Dimensions (mm)
Single Point Drain, TILE Insert / Stainless Steel Reversible Grate	00800153	150 x 150
Single Point Drain, TILE Insert / Stainless Steel Reversible Grate	00800156	200 x 200

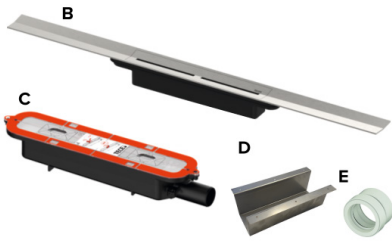


TECE



	Page
TECEdrainprofile guide	62
Channel	63
Drain (Trap)	64
Installation components	65

Drainage Systems - TECEdrainprofile



TECEdrainprofile

TECEdrainprofile is an elegant stainless steel shower channel designed for a seamless, niche-flush fit. It features an internal slope for efficient drainage and is easy to clean. Cut to length on site, it offers a sleek and unobtrusive solution for modern showers.

Modular system where you pick the **Grate (B)**, **Drain (C)** **Assembly Feet (D)** and **Adapter (E)** to have the full TECEdrainprofile product.

(B) TECEdrainprofile grate

Page 63

Available in sizes from 800mm to 1600mm, with a choice of 7 finishes including brushed and polished.



(C) TECEdrainprofile trap

Page 64

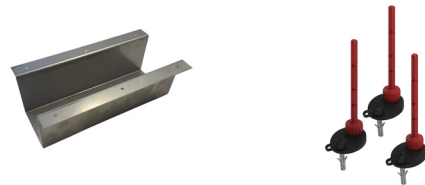
Choice of 2 traps: side and vertical (concrete).



(D) TECE wooden floor bracket/assembly feet

Page 65

Component depending on structural floor material.



(E) TECE drain adapter

Page 65

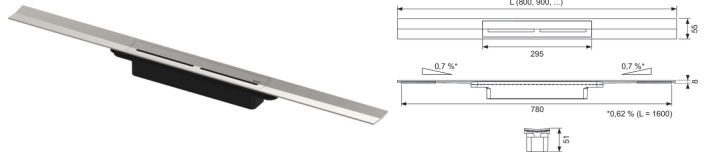
Mandatory adapter to connect all TECE drains to BS2" PVC waste water pipes in accordance with BS5255. DN50 mechanical fit, solvent weld.



For more information or guidance please contact our office 01761 241133

(B) TECEdrainprofile shower profile (grate)

Shower profile for shower drainage, for installation in tile adhesive above the screed and seal.

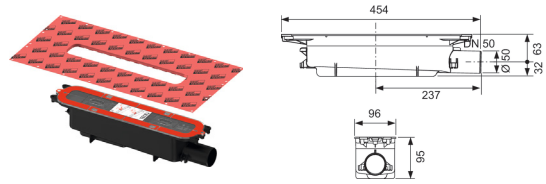


Description	Code	Dimensions (mm)
800mm Grate Brushed Stainless Steel	670800	800
900mm Grate Brushed Stainless Steel	670900	900
1000mm Grate Brushed Stainless Steel	671000	1000
1200mm Grate Brushed Stainless Steel	671200	1200
1600mm Grate Brushed Stainless Steel	671600	1600
800mm Grate Brushed Black Chrome	670801	800
900mm Grate Brushed Black Chrome	670901	900
1000mm Grate Brushed Black Chrome	671001	1000
1200mm Grate Brushed Black Chrome	671201	1200
800mm Grate Brushed Gold Optic	670802	800
900mm Grate Brushed Gold Optic	670902	900
1000mm Grate Brushed Gold Optic	671002	1000
1200mm Grate Brushed Gold Optic	671202	1200
800mm Grate Brushed Red Gold	670803	800
900mm Grate Brushed Red Gold	670903	900
1000mm Grate Brushed Red Gold	671003	1000
1200mm Grate Brushed Red Gold	671203	1200
800mm Grate Polished Stainless Steel	670810	800
900mm Grate Polished Stainless Steel	670910	900
1000mm Grate Polished Stainless Steel	671010	1000
1200mm Grate Polished Stainless Steel	671210	1200
800mm Grate Polished Gold Optic	670812	800
900mm Grate Polished Gold Optic	670912	900
1000mm Grate Polished Gold Optic	671012	1000
1200mm Grate Polished Gold Optic	671212	1200
800mm Grate Brushed Black	670821	800
900mm Grate Brushed Black	670921	900
1000mm Grate Brushed Black	671021	1000
1200mm Grate Brushed Black	671221	1200
1600mm Grate Brushed Black	671621	1600

Drainage Systems - Trap

(C) TECEdrainprofile drain "standard", DN50 side drain (trap)

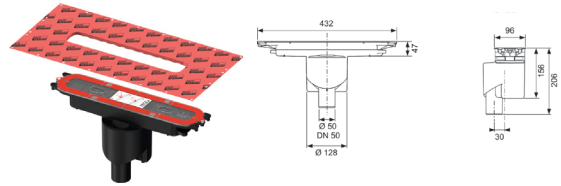
Drain for TECEdrainprofile shower channel, for installing in wood over timber joist or screed, for connection to the side of a DN50 drain pipe. Includes factory fitted click-in Seal System sealing collar. Fulfils the requirements of EN 1253-1 and DIN 18534.



Description	Code	Dimensions (mm)
Standard Side Drain DN50	673002	-

(C) TECEdrainprofile drain "vertical", DN50 drain (trap)

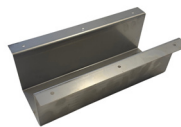
Drain for TECEdrainprofile shower channel, for installing in screed only, for vertical connection to a DN50 drain pipe. Includes factory fitted click-in Seal System sealing collar. Fulfils the requirements of EN 1253-1 and DIN 18534.



Description	Code	Dimensions (mm)
Vertical Drain DN50	673003	-

(D) TECE wooden floor bracket

Stainless steel bracket designed to sit within wooden floor boards, and provide structural support for the TECEdrainprofile, and TECEdrainway traps.



Description	Code	Dimensions (mm)
Wooden Floor Bracket	669010	96 x 300 x 160

(D) TECEdrainprofile assembly feet

Assembly feet for TECEdrainprofile drains for easy height adjustment and position fixing during shell installation. Adjustment range on "standard" drain 95-194mm and for "vertical" drain 58-157mm (lower edge of feet to the upper edge of drain or screed).



Description	Code	Dimensions (mm)
Assembly Feet	674000	-

(E) TECE adapter DN50/2"

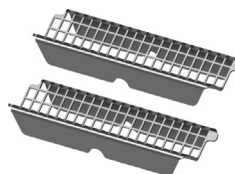
Mandatory adapter to connect all TECE drains to BS2" PVC waste water pipes in accordance with BS5255. DN50 mechanical fit, solvent weld.



Description	Code	Dimensions (mm)
Adapter DN50 x BS2"	669012	-

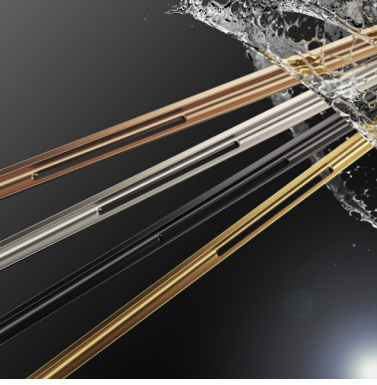
(OPTIONAL) TECEdrainprofile hair trap

Hair trap made of stainless steel for inserting into the TECEdrainprofile shower profile. With "push function" for easy removal by hand. One set (consisting of two hair traps) is required for one shower profile.



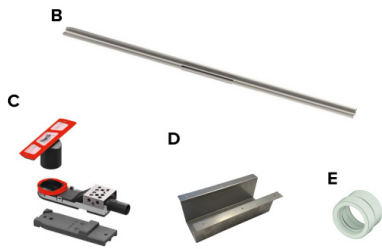
Description	Code	Dimensions (mm)
Hair Guard	674002	-





	Page
TECEdrainway guide	68
Channel	69
Drain (Trap)	70
Installation componants	71

Drainage Systems - TECEdrainway



TECEdrainway

An elegant installation solution in the shower area. Subtle integration of the shower channel in the transition between the wall and floor tiles.

Modular system where you pick the **Grate (B)**, **Drain (C)**, **Adapter (E)** to have the full TECEdrainway product.

(B) TECEdrainway profile

Page 69

Available in sizes 1100mm and 1600mm, with a choice of 4 brushed finishes.



(C) TECEdrainway drain

Page 69

Choice of 2 traps: standard, and vertical.
Self cleaning works at flow rate of 11 LMP or more.



(D) TECE wooden floor bracket

Page 70

Stainless steel bracket designed to sit within wooden floor boards, and provide structural support for the TECEdrainway drains.



(E) TECE drain adapter

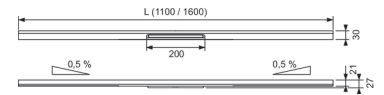
Page 70

Mandatory adapter to connect all TECE drains to BS2" PVC waste water pipes in accordance with BS5255. DN50 mechanical fit, solvent weld.



For more information or guidance please contact our office 01761 241133

(B) TECEdrainway shower profile (grate)

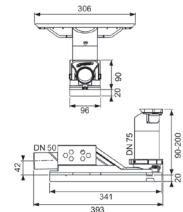


Shower profile for shower drainage, for installation in tile adhesive above the screed and seal.

Description	Code	Dimensions (mm)
1100mm Grate Brushed Stainless Steel	691100	1100
1100mm Grate Brushed Black	691120	1100
1100mm Grate Brushed Brass	691130	1100
1100mm Grate Brushed Bronze	691140	1100
1600mm Grate Brushed Stainless Steel	691600	1600
1600mm Grate Brushed Black	691620	1600
1600mm Grate Brushed Brass	691630	1600
1600mm Grate Brushed Bronze	691640	1600

(C) TECEdrainway horizontal "standard" drain, DN50 (trap)

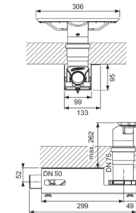
Drain with free-flow technology for TECEdrainway shower profiles, for installation in screed, for connection to a DN50 drain pipe (180° swivelling). With factory-fitted Seal System sealing collar. Meets the requirements of EN 1253-1.



Description	Code	Dimensions (mm)
Standard Drain DN50	693010	-

(C) TECEdrainway "vertical" drain, DN50 (trap)

Drain with free-flow technology for TECEdrainway shower profiles, for installation in screed, for vertical connection to a DN50 drain pipe (180° swivelling). With factory-fitted Seal System sealing collar. Meets the requirements of EN 1253-1 and DIN 18534.

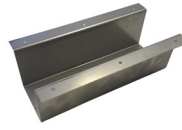


Description	Code	Dimensions (mm)
Vertical Drain DN50	693030	-

Drainage Systems - TECEdrainway

(D) TECE wooden floor bracket

Stainless steel bracket designed to sit within wooden floor boards, and provide structural support for the TECEdrainprofile, and TECEdrainway traps.



Description	Code	Dimensions (mm)
Wooden Floor Bracket	669010	96 x 300 x 160

(E) TECE adapter DN50/2"

Mandatory adapter to connect all TECE drains to BS2" PVC waste water pipes in accordance with BS5255. DN50 mechanical fit, solvent weld.



Description	Code	Dimensions (mm)
Adapter DN50 x BS2"	669012	-

TECEdrainway extension adapter for “natural stone” adjustment disc

Extension adapters (2 pcs.) for the adjustment ring, allowing continuous height adjustment of floor build-ups from 16–32 mm (including the adhesive bed). Compatible with all TECEdrainway drains.



Description	Code	Dimensions (mm)
Natural Stone Adjustment Disc	694008	-

TECEdrainway cleaning spiral

Plastic-coated pipe cleaning spiral for cleaning drain pipes.

Diameter: approx. 7mm.
Length: 2.5m.



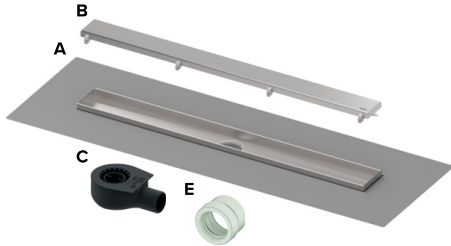
Description	Code	Dimensions (mm)
Cleaning Spiral	694000	-





	Page
TECEdrainline guide	74
Channel	75
Grate	76
Drain (Trap), Adapter	78
Installation components	79

Drainage Systems - TECEdrainline



TECEdrainline

TECEdrainline combines reliable drainage with minimalist design and flexible installation. Its modular system offers a range of covers and channel bodies to suit any shower layout. Discreet and effective, it fits seamlessly into modern bathrooms.

Modular system where you pick the **Chassis (A)**, **Grate (B)** and **Drain (D)** and **Adapter (E)** to have the full TECEdrainline product.

(A) TECEdrainline chassis

Page 75

Available in sizes from 700mm to 1500mm, with a choice of 3 chassis styles: straight channel, matt coloured channel, and upwall channel.



(B) TECEdrainline grate

Page 76

Available in sizes from 700mm to 1500mm, with a choice of 4 grate styles: brushed stainless steel, matt coloured, satin glass and self tileable grate.



(C) TECEdrainline trap

Page 78

Choice of 3 drain styles: flat, horizontal, standard 50mm horizontal and standard vertical.



(E) TECE drain adapter

Page 78

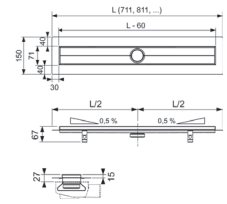
Mandatory adapter to connect all TECE drains to BS2" PVC waste water pipes in accordance with BS5255. DN50 mechanical fit, solvent weld.



For more information or guidance please contact office

(A) TECEdrainline shower channel with Seal System sealing tape

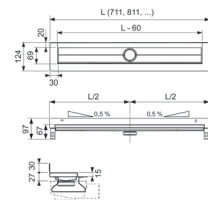
Straight channel body for installation, with flange and seal system sealing tape, for creating an independently tested connection of the TECEdrainline shower channel to the surrounding floor and walls.



Description	Code	Dimensions (mm)
700mm Straight Channel	600700	700
800mm Straight Channel	600800	800
900mm Straight Channel	600900	900
1000mm Straight Channel	601000	1000
1200mm Straight Channel	601200	1200
1500mm Straight Channel	601500	1500

(A) TECEdrainline shower channel, colour coated, with Seal System sealing tape

Coloured channel body for installation, with flange and seal system sealing tape, for creating an independently tested connection of the TECEdrainline shower channel to the surrounding floor and walls.

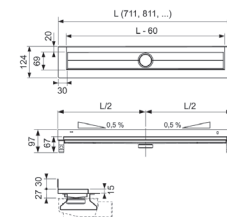
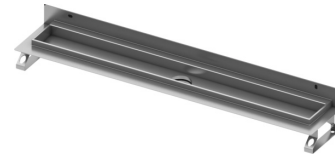


Description	Code	Dimensions (mm)
700mm Straight Channel, Matt Black	600705	700
800mm Straight Channel, Matt Black	600805	800
900mm Straight Channel, Matt Black	600905	900
1000mm Straight Channel, Matt Black	601005	1000
1200mm Straight Channel, Matt Black	601205	1200
1500mm Straight Channel, Matt Black	601505	1500

700mm Straight Channel, Matt White	600706	700
800mm Straight Channel, Matt White	600806	800
900mm Straight Channel, Matt White	600906	900
1000mm Straight Channel, Matt White	601006	1000
1200mm Straight Channel, Matt White	601206	1200
1500mm Straight Channel, Matt White	601506	1500

(A) TECEdrainline shower channel with back to wall upstand and Seal System sealing tape

Straight channel body with wall upstand for installation in the screed against the wall, with flange and seal system sealing tape, for creating an independently tested connection of the TECEdrainline shower channel to the composite seal. For wood over timber joist: joist positioning integral.

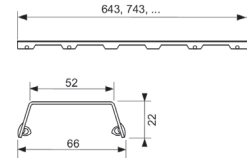
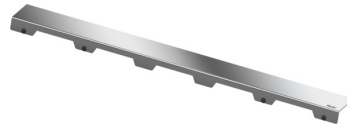


Description	Code	Dimensions (mm)
700mm Upwall (Back to Wall) Straight Channel	600701	700
800mm Upwall (Back to Wall) Straight Channel	600801	800
900mm Upwall (Back to Wall) Straight Channel	600901	900
1000mm Upwall (Back to Wall) Straight Channel	601001	1000
1200mm Upwall (Back to Wall) Straight Channel	601201	1200
1500mm Upwall (Back to Wall) Straight Channel	601501	1500

Drainage Systems - TECEdrainline grate

(B) TECEdrainline design cover “steel II” stainless steel for shower channel (grate)

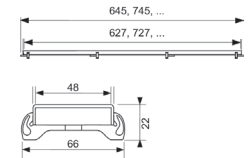
Design cover grate for TECEdrainline shower channel, made of stainless steel, for fitting into the channel body. Maximum test load 300kg based on load class K3.



Description	Code	Dimensions (mm)
700mm Grate II, Brushed Stainless Steel	600783	700
800mm Grate II, Brushed Stainless Steel	600883	800
900mm Grate II, Brushed Stainless Steel	600983	900
1000mm Grate II, Brushed Stainless Steel	601083	1000
1200mm Grate II, Brushed Stainless Steel	601283	1200
1500mm Grate II, Brushed Stainless Steel	601583	1500

(B) TECEdrainline design cover “steel” stainless steel colour-coated for shower channel (grate)

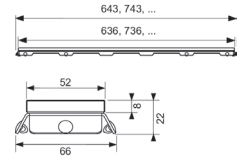
Design cover grate for TECEdrainline shower channel, made of stainless steel with coloured coating, for fitting into the channel body. Maximum test load 300kg based on load class K3.



Description	Code	Dimensions (mm)
700mm Design Grate, Matt Black	600785	700
800mm Design Grate, Matt Black	600885	800
900mm Design Grate, Matt Black	600985	900
1000mm Design Grate, Matt Black	601085	1000
1200mm Design Grate, Matt Black	601285	1200
1500mm Design Grate, Matt Black	601585	1500
700mm Design Grate, Matt White	600786	700
800mm Design Grate, Matt White	600886	800
900mm Design Grate, Matt White	600986	900
1000mm Design Grate, Matt White	601086	1000
1200mm Design Grate, Matt White	601286	1200
1500mm Design Grate, Matt White	601586	1500

(B) TECEdrainline glass cover for shower channel, satin finish (grate)

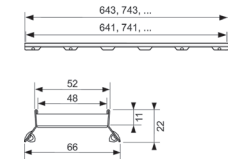
Design cover for TECEdrainline shower channel, made of stainless steel with a satin glass surface, for fitting into the channel body. Maximum test load 300kg based on load class K3. The finishes are colour matched to the TECEsquare glass II satin toilet flush plates.



Description	Code	Dimensions (mm)
700mm Design Grate, Satin Glass Black	600793	700
800mm Design Grate, Satin Glass Black	600893	800
900mm Design Grate, Satin Glass Black	600993	900
1000mm Design Grate, Satin Glass Black	601093	1000
1200mm Design Grate, Satin Glass Black	601293	1200
1500mm Design Grate, Satin Glass Black	601593	1500
700mm Design Grate, Satin Glass White	600794	700
800mm Design Grate, Satin Glass White	600894	800
900mm Design Grate, Satin Glass White	600994	900
1000mm Design Grate, Satin Glass White	601094	1000
1200mm Design Grate, Satin Glass White	601294	1200
1500mm Design Grate, Satin Glass White	601594	1500

(B) TECEdrainline tileable channel “plate II” stainless steel for shower channel

Tileable grate for TECEdrainline shower channel, for fitting into the channel body, made of stainless steel. Maximum test load 300kg based on load class K3. Tiles can be attached by the customer using elastic adhesive, e.g. silicon or epoxy resin adhesive.

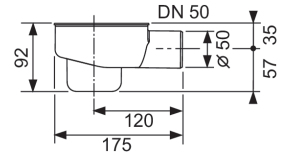


Description	Code	Dimensions (mm)
700mm Tile Grate	600772	700
800mm Tile Grate	600872	800
900mm Tile Grate	600972	900
1000mm Tile Grate	601072	1000
1200mm Tile Grate	601272	1200
1500mm Tile Grate	601572	1500

Drainage Systems - TECEdrainline trap, adapter

(C) TECEdrainline drain "standard", DN50 side drain

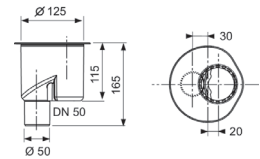
Drain for TECEdrainline shower channel to fit to the drain body, with removable syphon immersion pipe. Can be turned 360°, with removable syphon immersion pipe. Fulfils the requirements of EN 1253-1. Water seal height - 50mm.



Description	Code	Dimensions (mm)
Standard 50mm Horizontal Trap DN50	650001	-

(C) TECEdrainline drain "vertical", DN50 vertical drain

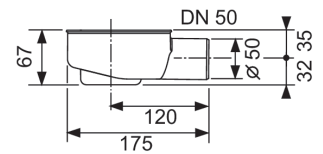
Drain for TECEdrainline shower channel to fit to the drain body, with removable syphon immersion pipe. Can be turned 360°, with removable syphon immersion pipe. Fulfils the requirements of EN 1253-1. Water seal height - 50mm.



Description	Code	Dimensions (mm)
Vertical Trap DN70	650003	-

(C) TECEdrainline drain "flat", DN50 side drain

Drain for TECEdrainline shower channel to fit to the drain body, with removable syphon immersion pipe. Can be turned 360°, with removable syphon immersion pipe. Fulfils the requirements of EN 1253-6. Water seal height - 25mm.



Description	Code	Dimensions (mm)
Flat (lowlevel) Horizontal Trap DN50	650000	-

(E) TECE adapter DN50/2"

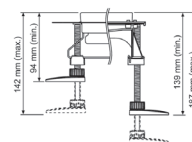
Mandatory adapter to connect all TECE drains to BS2" PVC waste water pipes in accordance with BS5255. DN50 mechanical fit, solvent weld.



Description	Code	Dimensions (mm)
Adapter DN50 x BS2"	669012	-

(Optional) TECEdrainline assembly feet set (4) 92mm - 139mm

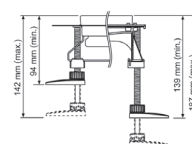
Assembly feet to make it easy to adjust the height of the channel body and fix the position during shell assembly.



Description	Code	Dimensions (mm)
Assembly Feet Set (4) 92mm - 139mm	660003	-

(Optional) TECEdrainline assembly feet 137mm - 184mm

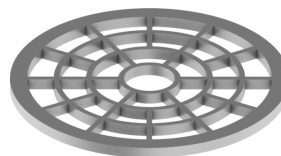
Assembly feet to make it easy to adjust the height of the channel body and fix the position during shell assembly.



Description	Code	Dimensions (mm)
Assembly Feet (4) 137mm - 184mm	660004	-

(Optional) TECEdrainline hair trap

Hair trap made of stainless steel, for fitting into the channel body.



Description	Code	Dimensions (mm)
Hair Trap	660005	-

(Optional) TECEdrainline fire protection for vertical drain

Fire protection set for direct vertical installation on the TECEdrainline DN50 drain, for highly fire resistant partitioning of ceiling bushings in solid ceilings up to 120 min.



Description	Code	Dimensions (mm)
Fire Protection for Vertical Drain	660006	-

(Optional) TECEdrainline seal system tape

Assembly feet to make it easy to adjust the height of the channel body and fix the position during shell assembly.



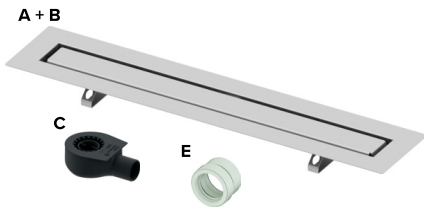
Description	Code	Dimensions (mm)
Seal System Tape	660019	100mm x 3.9m





	Page
TECEdrainline natural stone guide	82
Installation components	83
Accessories	84

Drainage Systems - TECEdrainline natural stone



TECEdrainline natural stone

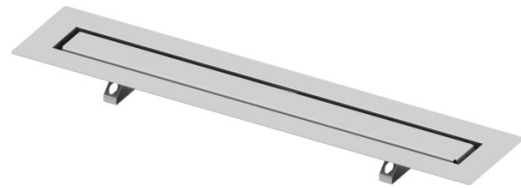
TECEdrainline for natural stone offers reliable drainage with a refined, flush finish. Designed for stone floors, it allows elegant integration without disrupting the material's surface. Discreet and durable, it's the ideal solution for premium natural stone bathrooms.

Modular system where you pick the **Chassis (A+B)**, **Trap (D)** and **Adapter (E)** to have the full TECEdrainline product.

(A+ B) TECEdrainline natural stone chassis

Page 83

Available in sizes from 700mm to 1500mm. Grate included



(C) TECEdrainline trap

Page 83

Choice of 3 drain styles: flat horizontal, standard 50mm horizontal and standard vertical.



(E) TECE drain adapter

Page 85

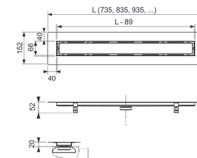
Mandatory adapter to connect all TECE drains to BS2" PVC waste water pipes in accordance with BS5255. DN50 mechanical fit, solvent weld.



For more information or guidance please contact our office 01761 241133

(A+B) TECEdrainline shower channel for natural stone with Seal System sealing tape and stainless steel support as a set

TECEdrainline shower channel for natural stone with seal system sealing tape and stainless steel support as a set.

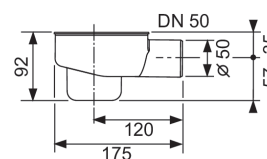


Description	Code	Dimensions (mm)
700mm Stone Channel	650700	700
800mm Stone Channel	650800	800
900mm Stone Channel	650900	900
1000mm Stone Channel	651000	1000
1200mm Stone Channel	651200	1200
1500mm Stone Channel	651500	1500

(C) TECEdrainline drain "standard", DN50 side drain

Drain for TECEdrainline shower channel to fit to the drain body, with removable syphon immersion pipe. Can be turned 360°. Fulfills the requirements of EN 1253-1.

Water seal height - 50mm.

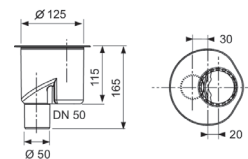


Description	Code	Dimensions (mm)
Standard 50mm Horizontal Trap DN50	650001	-

(C) TECEdrainline drain "vertical", DN50 vertical drain

Drain for TECEdrainline shower channel to fit to the drain body, with removable syphon immersion pipe. Can be turned 360°. Fulfills the requirements of EN 1253-1.

Water seal height - 50mm.

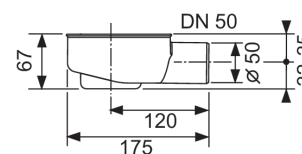


Description	Code	Dimensions (mm)
Vertical Trap DN70	650003	-

(C) TECEdrainline drain "flat", DN50 side drain

Drain for TECEdrainline shower channel to fit to the drain body, with removable syphon immersion pipe. Can be turned 360°. Fulfills the requirements of EN 1253-6.

Water seal height - 25mm.



Description	Code	Dimensions (mm)
Flat (lowlevel) Horizontal Trap DN50	650000	-

(E) TECE adapter DN50/2"

Mandatory adapter to connect all TECE drains to BS2" PVC waste water pipes in accordance with BS5255. DN50 mechanical fit, solvent weld.

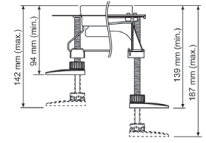


Description	Code	Dimensions (mm)
Adapter DN50 x BS2"	669012	-

Drainage Systems - TECEdrainline natural stone optional extras

TECEdrainline assembly feet set (4) 92mm - 139mm

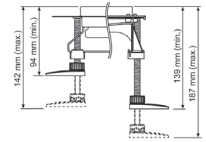
Assembly feet to make it easy to adjust the height of the channel body and fix the position during shell assembly.



Description	Code	Dimensions (mm)
Assembly Feet Set (4) 92mm - 139mm	660003	-

TECEdrainline assembly feet 137mm - 184mm

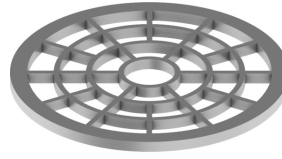
Assembly feet to make it easy to adjust the height of the channel body and fix the position during shell assembly.



Description	Code	Dimensions (mm)
Assembly Feet (4) 137mm - 184mm	660004	-

TECEdrainline hair trap

Hair trap made of stainless steel, for fitting into the channel body.



Description	Code	Dimensions (mm)
Hair Trap	660005	-

TECEdrainline fire protection for vertical drain

Fire protection set for direct vertical installation on the TECEdrainline DN50 drain, for highly fire resistant partitioning of ceiling bushings in solid ceilings up to 120 min.



Description	Code	Dimensions (mm)
Fire Protection for Vertical Drain	660006	-

TECEdrainline seal system tape

Assembly feet to make it easy to adjust the height of the channel body and fix the position during shell assembly.

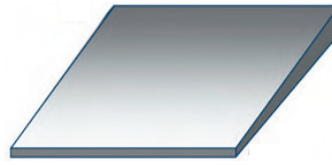


Description	Code	Dimensions (mm)
Seal System Tape	660019	100mm x 3.9m

Wetroom Shower Gradient Boards

EForm 22 model A

Flat gradient formers with a waterproof coating. EForms are a thin board system used to create a consistent gradient. Shapes and sizes offer very flexible design potential.



Description	Code	Size
Universal Gradient, Model A	00500170	1000 x 1000 x 8/22mm

EForm 22 model B

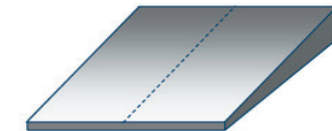
Flat gradient formers with a waterproof coating. EForms are a thin board system used to create a consistent gradient. Shapes and sizes offer very flexible design potential.



Description	Code	Size
Universal Gradient, Model B	00500171	500 x 1000 x 22/30mm

EForm 22 model D

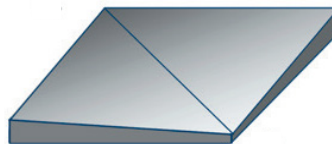
Flat gradient formers with a waterproof coating. EForms are a thin board system used to create a consistent gradient. Shapes and sizes offer very flexible design potential.



Description	Code	Size
Universal Gradient, Model D	00500173	700 x 1000 x 8/22mm

EForm 22 model V

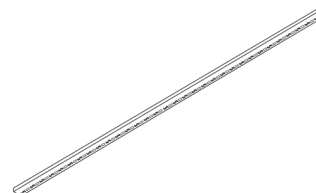
Flat gradient formers with a waterproof coating. EForms are a thin board system used to create a consistent gradient. Shapes and sizes offer very flexible design potential.



Description	Code	Size
Universal Gradient, Model V	00500174	1000 x 1000 x 8/22mm

Shower Gradient Trim Pieces

Polished Stainless Steel gradient trim pieces, to finish off outer edges of shower area, where gradient floors meet the flat floor of the rest of the bathroom. Compatible with EForm 22 floor formers, and available as left and right hand versions. Suitable for floor finishes up to 16mm.



Description	Code	Size
Left Hand	36503	1250 x 55 x 0-22mm
Right Hand	36504	1250 x 55 x 0-22mm

Wetroom Waterproofing

EdgeSEAL™ waterproofing tape

Waterproofing sealing tape that stops leaking between shower trays or baths, and the wall. Fix to tray & behind tiles for an invisible finish. In convenient project sizes.



Description	Code	Size
Bath / Shower Sealant, Small	00700517	20cm x 2m
Bath / Shower Sealant, Medium	00700518	20cm x 2.85m
Bath / Shower Sealant, Large	00700519	20cm x 3.3m
Bath / Shower Sealant, Trade Pack	00700520	20cm x 20m

AquaeSEAL™ waterproofing membrane

Fast drying (3 hours at 20c), flexible synthetic gel membrane for all showers. Permanently seals walls and floors. Suits all surfaces including plasterboard, WBP, tilebacker boards, concrete & wood.



Description	Code	Size
RP Waterproof Membrane 6kg Tub	00400050	Tub Approx. 5m ²
Waterproof J.S.T Joint Sealing Tape 5m	00400051	5m x 120mm
Waterproof J.S.T Joint Sealing Tape 10m	00400052	10m x 120mm
Waterproof J.S.T Joint Sealing Tape 25m	00400053	25m x 120mm
Waterproof J.S.T Joint Sealing Tape 50m	00400054	50m x 120mm
Waterproof Corner Joint Sealing Tape Internal	00400055	120mm Wide
Waterproof Corner Joint Sealing Tape External	00400056	120mm Wide
UNO3 Kit inc. 5m Membrane Tub, 5m J.S.T and Internal Corner	09900074	Approx 5m ²
Medio3 Kit inc. 10m Membrane Tubs, 10m J.S.T and Internal Corner	09900075	Approx 10m ²

AquaeGUARD™ waterproofing membrane

Durable, thin, and light waterproof membrane protects substrates from water damage below tiles. AquaeGUARD™ universal membrane is suitable for both floors and walls alike, and AquaeGUARD™ Floor is only suitable for floors.



Description	Code	Size
Universal, Waterproof Membrane Roll 5m	00700500	5m
Universal, Waterproof Membrane Roll 10m	00700501	10m
Universal, Waterproof Membrane Roll 30m	00700502	30m
Floor, Waterproof Membrane Roll 5m	00700503	5m
Floor, Waterproof Membrane Roll 30m	00700504	30m
Waterproof Corner Joint Sealing Tape Internal	00700506	120mm Wide
Waterproof Corner Joint Sealing Tape External	00700507	120mm Wide
Joint Sealing Tape Roll 10m	00700508	10m x 120mm Wide
Joint Sealing Tape Roll 15m	00700509	15m x 120mm Wide
Joint Sealing Tape Roll 50m	00700510	50m x 120mm Wide
5m ² Kit inc. Waterproof Membrane, 5m J.S.T and Internal Corner	00700513	5m ² Kit
10m ² Kit inc. Waterproof Membrane, 10m J.S.T and Internal Corner	00700514	10m ² Kit

More information on
www.tece.co.uk

TECE Limited
Tel +44 (0)1761 241133
info@tece.co.uk
www.tece.co.uk