

TECE



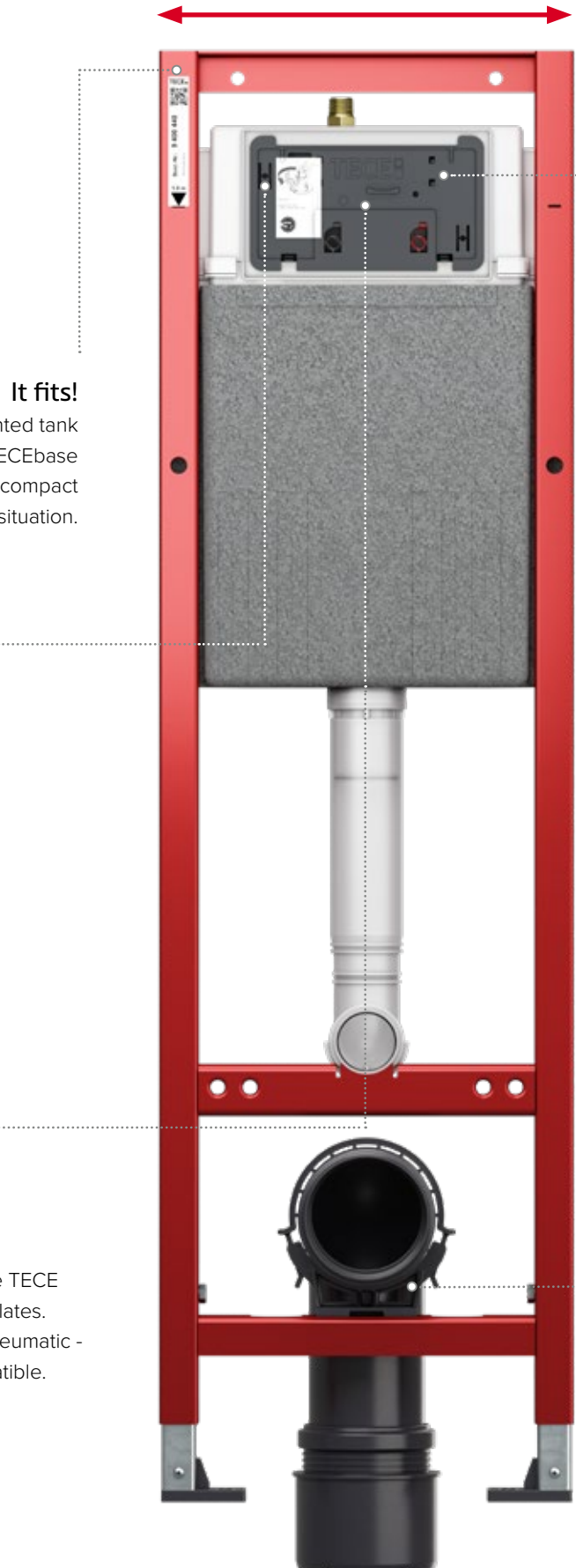
COMPACT, CLEVER, EASY TO INSTALL

The TECEbase toilet module with Base 320 cistern:
sophisticated flushing technology for every installation situation

HIGH PERFORMANCE, MADE SIMPLE

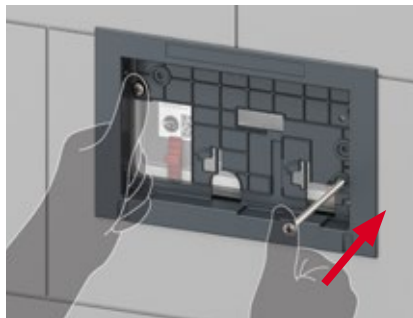
Sophisticated flushing technology: pre-assembled in the practical TECEbase module and with many practical features, the powerful Base 320 cistern is easy and safe to install. And with simply maximum flexibility.

NEW: 320 mm total width



It fits!

With a width of 320 mm and slanted tank corners for wall corner installation, the TECEbase toilet module with Base 320 cistern is compact and space-saving in any installation situation.



Quick finish

No readjustment, no measuring. With the new easy fit installation technology, TECE flush plates can now be installed more than twice as fast. Saving time and nerves.



200+ plates

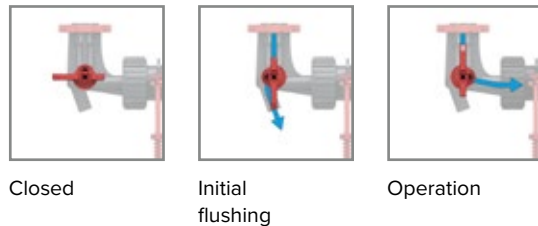
Discover the attractive TECE variety of toilet flush plates. Manual, electronic, pneumatic - and universally compatible.

» Narrow dimensions, optimum convenience. Because when it comes to flushing technology, technical extras are more important than size. «



Ahead of the game

The pleasantly quiet F10 filling valve is already pre-assembled in the Base 320 cistern. With the newly developed 3-way corner tap, the connecting pipe can be flushed in assembled condition during commissioning, thereby ensuring faster and even safer assembly.



Secure hold

The drain bend holder with upward opening makes the assembly of the drain connection to the module easier. In addition, Y-bars in the drain bend holder ensure optimum support and a perfect depth adjustment of the drain bend.

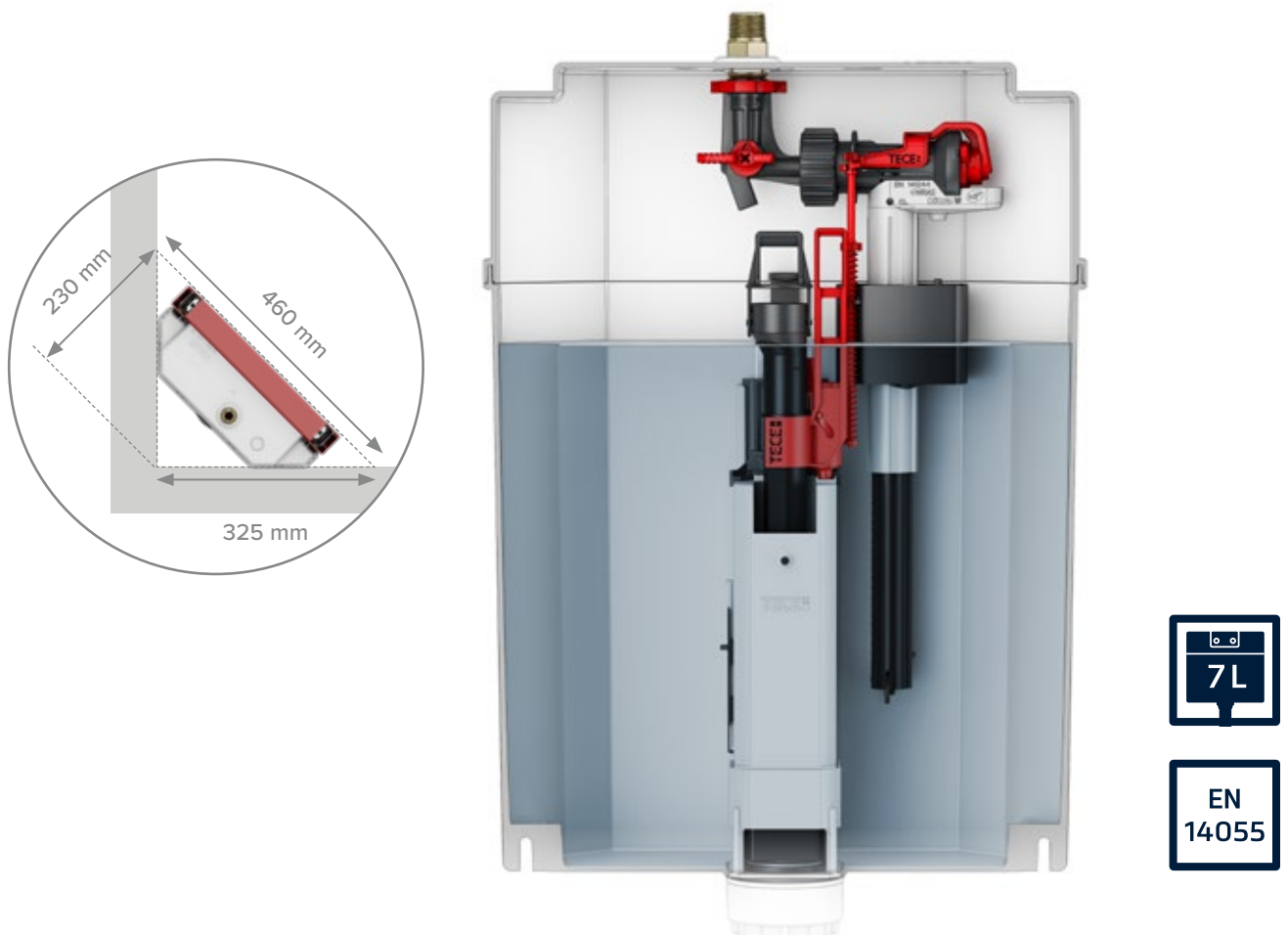
Product Highlights

- Module frame only 320 mm narrow
- Slanted tank corners for optimum corner installation
- Pre-installed flushing technology with innovative 3-way corner tap in the Base 320 cistern
- 7 l tank volume - for direct rinsing without waiting time
- Compatible with commercially available quick adapters: no sealing, no mistakes
- Compatible with over 200 TECE flush plates, including easy fit tool-free quick assembly

TECEbase toilet module with Base 320 cistern

SOPHISTICATED FLUSHING TECHNOLOGY FOR EVERY INSTALLATION SITUATION

Everything simply fits: clever design inside and out makes the compact TECEbase toilet module a flexible all-rounder for toilet installation.

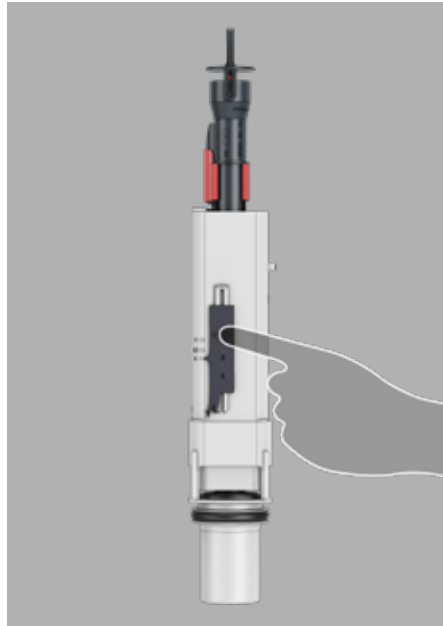


Clever design, great performance

The Base 320 cistern offers a convenient flush volume in a compact format. With a width of just 320 mm and slanted tank corners, it also fits into particularly narrow installation situations. Its 7-litre flush volume provides the necessary safety, even for direct flushing.

Saving water made easy

In the factory setting, 6 litres are preset for the large flush volume and 3 litres for the small flush volume. A slider on the drain valve makes it easy to change the flush quantities to 4.5/3 litres. A 4/2 litre flush volume can be set as an option.



The drain valve with bend function

Optimum handling: if the drain valve has to be removed in the event of an inspection, it can simply be bent in the upper section - and can therefore be removed from the cistern without difficulty.

Simply prepared for everything

With the practical TECEbase toilet module, installation is simple, quick and safe - whether in single block assembly, as a pre-wall module in front of solid or dry walls or in metal or wooden stud walls. Wall corner installation is also easy and safe thanks to the separately available module fastener, especially for corner situations.



TECEbase toilet module as a corner assembly



TECEbase toilet module in front of dry-wall construction

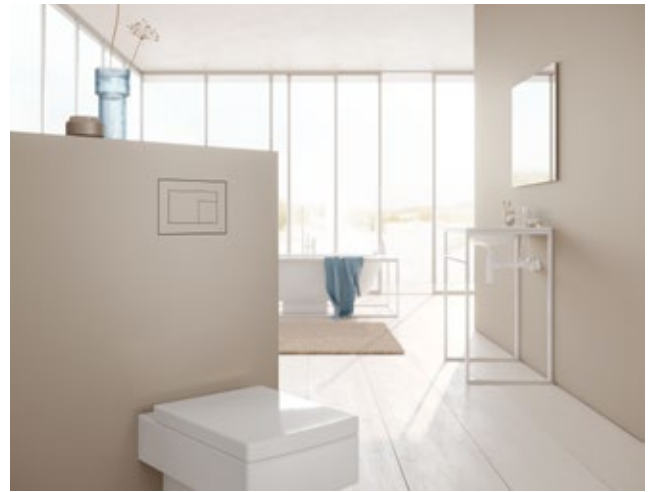
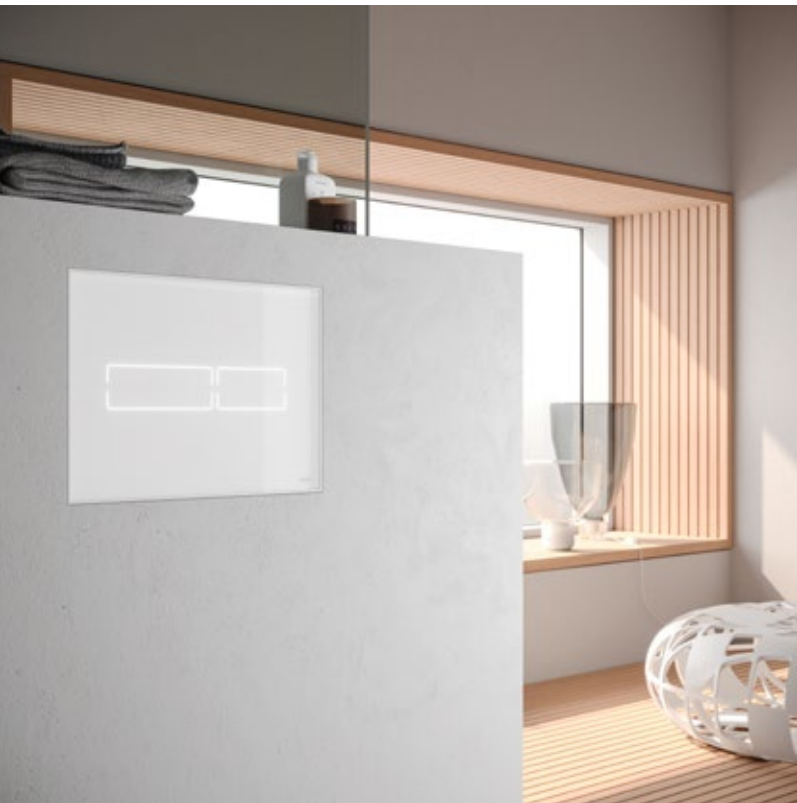


TECEbase toilet module in metal and wooden stud wall

TECE flush plates

200+ PLATES VARIETY

Setting design accents has never been so easy. Discover the full range of form and function in the large TECE flush plate range. And react flexibly to the requirements of your customers. Today just as much as tomorrow.



Attractive variety

The Base 320 cistern is compatible with all 200+ manual, electronic and pneumatic flush plates from the TECE flush plate range. This means you will always find exactly the right plate for every style and requirement.

Moving with the times

Users and tastes change. It's good to know that all manual and electronic TECE toilet flush plates can be interchanged. Whatever the year or series. Meaning you always remain flexible. Even after decades.



TECEvelvet



TECEloop



TECESquare



TECESolid



TECEnow



TECElux Mini






TECESolid
toilet electronics

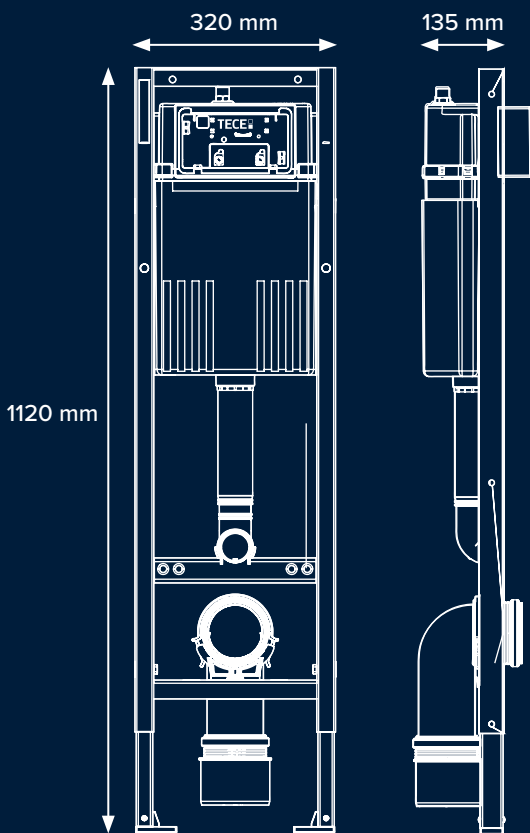


TECEflushpoint



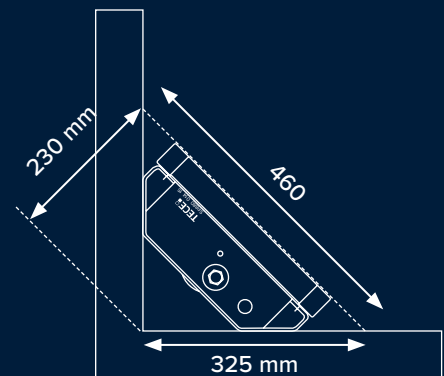
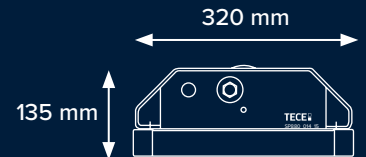
The range

	Description	Item No.		Description	Item No.
	TECEbase toilet module with Base 320 cistern, installation height 1120 mm	9400440		TECEprofil 320 module fastener for wall and corner assembly	9380015
				TECEone upgrade set 320 dry-wall construction	9880079



Universally compatible

The TECEbase toilet module with Base 320 cistern can be combined with all manual, pneumatic or electronic TECE flush plates.



For more information visit www.tece.com

TECE SE

International Business

T +49 2572 928-999

international-business@tece.de

www.tece.com/en

TECE Limited

T +44 17 61 24 11 33

info@tece.co.uk

www.tece.co.uk

Appearance and texture may vary depending on material, manufacturing process and lighting conditions.

In order to improve the flow of reading, no distinction is made between feminine, masculine and non-binary in gender-related expressions. However, all genders are always implied.