



TECEprofil design 1120mm WC Cistern Frame

Article Number: 9300377

Description:

Specially developed to match Shower Toilets or wash-lets from all manufacturers, this WRAS Approved 'low level' installation system for Wall Hung WC's is a rigid frame & "plug 'n' play" cistern that's designed to fit in front of walls. A range of premium quality frames which are easy to fit and have a very wide range of matching contemporary control Flush Plate designs, which operate by front or top actuation. **E&OE**

Applications:

TECEprofil design universal load bearing installation system suitable for fixing Wall Hung WC's in en-suites, cloakrooms & other bathroom projects where WC Pans are required off the floor. Suitable for:

- All common construction systems, in domestic, commercial, industrial & institutional new build or refurbishment projects
- Small or large bathrooms, where space is at a premium, while ease of cleaning & sleek design is a priority
- Rapid, secure fitting of wall hung WC Pans from major brands with universal fixing of 180mm & 230mm centres
- Fixing within a drywall / studwork frame or in front of solid walls, and suits all common or uneven floor structures
- Wall boards, tightly fixed to the frame, conceal the frame, cistern & all pipework, and are ready to finish
- Can be used with 'grey' rainwater recycling systems when adequately filtered

Product characteristics & key features:

- The TECEdesign WC Installation Frame 1120mm (WRAS Approval Nr. 2203336), with TECE concealed cistern, front access panel and control mechanism meets or exceeds common standards.
- Front actuation with matching range of single or dual flush, contemporary Control Plates suit all concealed cisterns, and act as a removable cover for easy maintenance access to internal workings.
- Instant, tool free removal of unique transparent splash guard completes with Control & Service Assembly by using quick release clips.
- Innovative Zip Tunnel provides an aperture protection guard at the flush plate access point, preventing debris entering the cistern and wall cavity. The Zip Tunnel utilises an instant (tool free) 'tear' technology that reduces the margin of error, to offer perfect trimming to the correct depth (matching the wall thickness), while eliminating sharp edges, saving the installer minor injuries, time and energy.
- Factory fitted cistern components incl. stop valve, Stainless Steel Fill hose, quick-to-service flush valve, & fast flowing ultra-quiet (<17dB) Type AG Fill Valve, pre-fitted & quality control sealed before dispatch.
- Certified to acoustic group 1 for noise reduction: operating at less than 17dB, featuring an insulated tank, rubber cistern mounts. Including a side entry fill valve, with a full water immersion release mechanism, which all contribute to the reduction of noise and vibration while in use.
- The TECEdesign WC Installation Frames are designed & tested to DIN EN14055 Class 2, and the lightweight but durable box section resists flexing and misalignment, while supporting up to 400kg weight loading.
- Finished in a red powder coating, the frame is durable, providing protection against rust, corrosion, scratching and general degradation.
- Step-less height adjustment (-0/+200mm) of alloy fixing feet with locking brakes easing installation by 1x person, allowing for uneven floors or concrete screeds flowing around the adjustable feet.
- Universal 1/2" male threaded "quick connect" water supply connection, to top or side, reducing supply pipe installation time.
- With premium quick adjust Wall Brackets (min. 150mm to 240mm max.). Contract Wall Brackets available on request.
- Suits all common Wall Hung WC pans (180 and 230mm centres), incl. those with shallow profile contact surfaces. (accessory required)
- Compatible with all TECE flush controls, giving design and budget choices with over 250+ options.
- Water supply conduit comes factory fitted to the frame, so a shower toilet or wash-let water supply to be connected from inside the cistern via attachment to a special cistern isolation valve, removing need to isolate the mains water supply (shower pan connection set accessory required)

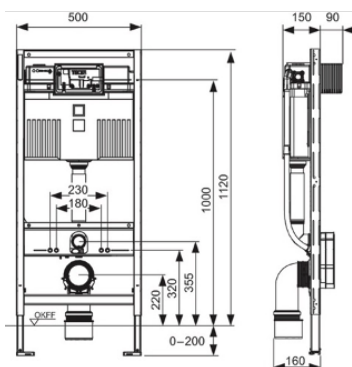
TECE Ltd. data sheet

Status as of 09/10/2025

Product characteristics & key features continued:

- Unique services box for easy connection of water & power feeds concealed within a specially designed 'rough-in', to result in a discrete compartment offering instant site access when the WC is being installed. Hidden behind the WC, this invisible recess allows access to the supply services after the original installation, and so ensures the building becomes future-proof, ready to meet unknown needs.
- Cistern with factory fit insulation prevents condensation and is isolated from the frame, reducing fill/flush noise
- Flush volume controls: Factory Setting - 6ltr / 4ltr flush; Instant User Setting - 4.5ltr / 3ltr or lower (3.5 / 2.4 possible)*. These volume controls enable water saving for BREEAM and eco-conscious user.
- Water release (dump) valve overflow provides certainty against flooding issues
- Large capacity 10 litre polymer tank, allowing for secondary flush, should water supply be cut off.
- Unique 'throttle' control system can adjust flush performance (water velocity) to suit low flush volumes & rimless WC pans (Optional Accessory) preventing overspills, splashing or poor cleaning due to insufficient flush pressure when rinsing the pan.
- Tool free water inlet isolation valve (pre-installed and factory set to closed) allows direct control of water supply feed into the cistern.

Technical Data:



* Only for WC pans designed for low volume flushing. Contact Sales Office for latest specifications & Information

SIZE, Height	1120mm (+0 > 200mm)
SIZE, Width x Depth:	500mm x 150mm Max (front of frame). 150mm option for straight soil connection 160mm if using 90-degree soil connection elbow
SIZE, Installation 'Rough-In' Template:	188mm x 111mm, finished wall thickness 20mm > 90mm
MATERIAL, Frame:	40mm deep steel extrusions, powder coated RED with various fixing positions down either side for installation into stud walls
MATERIAL, Isolation & Control Valve:	Brass, 1/2" male threaded water inlet connection & reinforced hose in Stainless Steel
MATERIAL, Cisterns:	Rotationally moulded polymer, flush pipe welded to tank
CAPACITY, Tank:	Large capacity 10 litre single piece tank
CAPACITY, Flushing:	Ex. Factory : 6.0-4.0 Litres, Eco adjustable : 3.5-2.4 litres (or less*)
INLET FLOW PRESSURE:	0.5 Bar minimum - 10.0 Bar Maximum
FLUSH CONTROLS:	ALL CONTROL PLATES suit ALL MODELS (separate order, see Datasheet)
TESTING & APPROVAL:	Tested to over 200,000 cycles, WRAS, DIN EN 14055 Class 2 Certificate Nr. 2203336 WELL Label – Class 'A' Water Efficiency. KIWA Reg 4

Specification clause:

TECEprofil design 980mm WRAS approved WC Installation Frame in RED powder coat, with 10 litre polymer cistern tank, 1/2" 'Quick connect' water connection, for wall hung pans and compatible with ALL TECE flush controls, fitted to front or top of tank, Factory sealed and C/W all fittings and instructions, tool free adjustable maintenance tunnel and quick release see-through splash guard. **WRAS Approval Certificate Nr. 2203336**

Contents:

Supplied in Single BOX (N.B. order control plates separately)

- TECE self-supporting, load bearing Installation Frame, with concealed cistern, & adjustable feet (supports DDA comfort height), overcomes challenges with uneven or unfinished floors
- Fill & Flush Valves, Angle Stop Valve, Stainless Steel Connection Hose, Flush Plate 'Rough-In' Template with tool free depth adjustable maintenance tunnel, Transparent Access Cover
- WC Connection Set incl. Flush Pipe, Soil Connection Elbow (multiple fixing positions for installer flexibility), & 90/110 Waste Pipe Adaptor, and shower WC connection "rough-in" with shower pan/seat connection housing.
- Quick Adjust Wall Fixing Brackets, WC Securing Studs & Nuts, Finishing Caps

Optional extras:

- Cleaning Tablet Insert Chute
- Full range of Control Plates in 100's of design & finish combinations
- Extra service connections incl. water supply for shower pans & electricity
- Corner Wall Brackets, Contract Brackets, and supports for long projection pans.
- Unique Lever Control Plates & finish customisation options

Packaging:

- Duty Box: Size: 1140mm x 520mm x 180mm
- Disposal: According to local bylaws
- Ready to install, factory sealed

Installation Instructions:

- QR Codes linking videos or written instructions for installation support and advice.

E&OE

We reserve the right to alter & amend specifications without prior notice. This is not a specification document & does not guarantee performance.

SPARES AND REPAIRS

We guarantee that spare parts will be available for all cisterns and frames for at least 25 years.