

TECE

PRODUCT RANGE 2026

Sanitary Systems

TECE International

Austria

TECE Österreich GmbH
Betriebsring 27
AT - 2483 Ebreichsdorf
Phone: +43 2254 207 02
info@tece.at
www.tece.at

Belarus

IOOO «TECE»
Menkovsky Trakt 10, Office 408-411
BY - Minsk
Republic Belarus
Phone: +375 17 507 51 90
info@tece.by
www.tece.by

Belgium

TECE Belgium BVBA
Jules Moretuslei 187-189,
BE - 2610 Antwerpen - Wilrijk
Phone: +32 2 401 61 37
info@tece.be
www.tece.be

China

**TECE Sanitary & Building Material
(Shanghai) Co., Ltd.**
No.3037, Kaixuan Road,
Xuhui District
CN - 200030 Shanghai, China
Phone: +86 21 32555030
info@tece.cn
www.tece.cn

Croatia

TECE d.o.o.
Gornjostupnička 1 F
HR - 10255 Gornji Stupnik
Phone: +385 1 3079 000
info@tece.hr
www.tece.hr

Czech Republic

TECE Česká republika s.r.o.
Vocáňova 2449/5
CZ - 180 00 Praha 8 - Libeň
Phone: +420 273 134 240
info@tece.cz
www.tece.cz

Estonia

UAB TECE BALTIKUM Eesti filiaal
Tuleviku tee 10
EE - 75312 Peetri alevik
Rae vald, Harjumaa
Phone: +372 6 781100
info@tece.ee
www.tece.ee

France

TECE France Sarl
185, rue Louise Labbé, Bat C
FR - 69970 Chaponnay
Phone: +33 437 453 810
info@tece.fr
www.tece.fr

Germany

TECE GmbH
Hollefeldstr. 57
DE - 48282 Emsdetten
Phone: +49 2572 928 0
info@tece.de
www.tece.de

India

TECE India Private Ltd.
G-3, Neel Madhav,
Nr. Navneet Hospital,
V.P. cross road, Mulund (west)
IN - 400080 Mumbai Maharashtra
Phone +91 22 2167 6767
info@tece.in
www.tece.in

Italy

TECE Italia srl. a socio unico
Via dell'Industria, 24 A
IT - 41051 Castelnovo Rangone (MO)
Phone: +39 0 595 334 011
info@teceitalia.com
www.tece.it

Latvia

UAB TECE Baltikum Latvia
Dēļu iela 4, Rīga
LV - 1004 Latvija
Phone: +371 67 21 18 02
info@tece.lv
www.tece.lv

Lithuania

UAB TECE Baltikum
Islandijos pl. 217-2 Kaunas
LT - 49165 Lietuva
Phone: +370 37 314 078
info@tece.lt
www.tece.lt

Netherlands

TECE Nederland B.V.
W.A. Scholtenweg 7 a
NL - 9422 BR Smilde
Phone: +31 592 415 074
info@tece.nl
www.tece.nl

Norway

TECE NORGE A/S
Snipetjernveien 4
NO - 1405 Langhus
Phone: +47 915 03 654
ordre@tece.no
www.tece.no

Poland

TECE Sp. z o.o.
Ul. Wrocławska 61
PL - 57-100 Strzelin
Phone: +48 713 839 100
tece@tece.pl
www.tece.pl

Romania

TECE GmbH Romania SRL
Soseaua de Centura, 13A, com. Chiajna
RO - 077040 jud. Ilfov
Phone: +40 21 316 47 08
info@tece.ro
www.tece.ro

Russia

OOO TECE Systems
Highway „Baltija“ 26 km, BC «Riga Land»,
Building 6, Entrance 5, floor 5
Moscow Region,
Krasnogorsky District - Ilyinskoye
RU - 143421 Moscow
Phone +8 800 333 83 23
info@tece.ru
www.tece.ru

Singapore

TECE South-East Asia Pte. Ltd.
76 Playfair Road
LHK2 Building, #03-03 Lobby 2
SG - 367996 Singapore
Phone: +65 67 43 48 86
sales@tece.com.sg
www.tece.com.sg

Spain

TECE Haustechnik, S.L.
Parque Empresarial Alvedro
Calle F 24, Manzana 10
ES - 15180 Culleredo, A Coruña
Phone: +34 881 89 50 25
info@tece.es
www.tece.es

Sweden

TECE Sverige AB
Askims Verkstadsväg 7
SE - 43634 Askim
Phone: +46 10 200 81 40
info@tece.se
www.tece.se

Switzerland

TECE Schweiz AG
Gewerbstrasse 8
CH - 8212 Neuhausen am Rheinfall
Phone: +41 52 672 62 20
info@tece.ch
www.tece.ch

Ukraine

TOV TECE Ukraine
Williamsa Akademika str. 3/7, of.7
UA - 03195 Kyiv
Phone: +38 044 596 59 46
info@tece.ua
www.tece.ua

United Kingdom

TECE Ltd.
Wirral Park Road
Glastonbury, Somerset
UK - BA6 9XE Somerset
Phone +44 844 335 0811
info@tece.co.uk
www.tece.co.uk

	Page
Sanitary Systems	
TECE sanitary ceramics – Add value to the bath	5
TECElux – The toilet terminal	37
TECE flush plates – The collection for toilet and urinal	55
Toilet flush plate	59
Urinal flush plate	95
TECE sanitary modules – Always the right solution	115
TECEprofil – Dry-wall modules	119
TECEconstruct – Modules	185
TECEbox – Brick-wall modules	195
 Plumbing Framework	
TECEprofil – Quick pre-wall installation with just three components	225
TECESystem – Industrial prefabrication of system walls	247
 Drainage Systems	
TECEDrainway – The elegant shower channel for installation flush with the wall	251
TECEDrainprofile – The universal shower channel with the flush-mounted stainless steel profile	263
TECEDrainline – The exclusive shower channel for the highest architectural demands	281
TECEShowerline – The channel body with "2 in 1" cover	309
TECEDrainpoint S – The practical point drain	317
TECEShowerpoint – The floor drain with "2 in 1" cover	349
 Annex	
Exhibition samples	357
Article quick search	371
Assortment changes	384

General Conditions of Sale and Delivery and General Contractual Conditions

TECE SE, Hollefeldstr. 57, 48282 Emsdetten/Germany

1. Applicability of the Conditions

- The deliveries, services and offers of TECE SE, Hollefeldstr. 57, 48282 Emsdetten, hereinafter briefly referred to as TECE, shall be based exclusively on these terms and conditions. The latter shall therefore also apply to all future business relationships even if not explicitly agreed upon once again. At the latest on receipt of the goods/services, these conditions shall be deemed accepted. Any acknowledgements of the purchaser with reference to his own conditions of business or purchase are hereby objected to.
 - Deviations from these terms and conditions shall only be effective if explicitly confirmed in writing by TECE.
 - The following general terms and conditions of sale and delivery apply to our business relationships with our customers. Customers in the sense of these terms and conditions can be both consumers and entrepreneurs. The customer is a consumer, insofar as the purpose of the ordered deliveries and services is not predominantly commercial or independent professional activity can be attributed. In contrast, an entrepreneur is any natural or legal person or person with legal capacity partnership that, when concluding the contract, is exercising its commercial or independent professional activity acts including legal entities under public law and special funds under public law within the meaning of Section 310 (1) BGB.
- ### 2. Offer and Contract Conclusion
- Where the order is to be qualified as an offer pursuant to § 145 BGB, TECE shall be entitled to accept this offer within 4 weeks.
 - TECE reserves proprietary rights and copyrights with respect to images, drawings, calculations, data and other documents. These must not be made accessible to third parties. This shall also apply to information, especially written documents, which is marked as confidential. Prior to passing on such information to third parties, the purchaser shall require explicit written consent from TECE.
 - Drawings, images, measures, weights and other performance data shall only be binding if that has been explicitly agreed in writing. Such information shall not be understood as a guarantee of quality.

3. Application-technological Advice

- Application-technological advice such as installation instructions, standard operating procedures and the creation and calculation of measurements etc. will be provided by TECE to the best of its knowledge. Any data and information regarding the suitability and use of TECE goods shall not exempt the customer from his obligation to carry out own inspections and tests as to whether the products are suitable for the intended processes and purposes; such information shall be non-binding and, as a matter of principle, not give rise to any contractual legal relationship and any ancillary obligations under the delivery contract, unless explicitly agreed otherwise in writing. To such exceptional cases, the following subsections 3.2 and 3.3 shall apply.
- For application-technological advice, TECE shall only be liable in cases of wilful misconduct and gross negligence. This shall apply without restrictions to advisory activities relating to the application/use of new product developments. In other cases, TECE shall also be liable for simple negligence, albeit only where essential contractual obligations are infringed. Any liability for lost profits, for damage/loss resulting from third-party claims against the customer and for other consequential damage shall be ruled out.
- Unless TECE is charged with a wilful breach of contract, the liability for damages shall be limited, apart from that, to the foreseeable, typically occurring damage.

4. Period of Delivery and Performance, Delay

- The delivery period indicated by TECE shall only begin to run once all technical matters/issues have been clarified.
- The dates and periods mentioned by TECE shall be non-binding unless explicitly agreed otherwise in writing. As a matter of principle, risks of procurement will not be assumed by TECE.
- Delays of delivery and performance due to force majeure and/or because of events, which make the delivery essentially more difficult or impossible for TECE (such as strike, lockout etc.), shall entitle TECE to postpone the deliveries or services by the duration of the hindrance plus an appropriate preparatory period. The same shall apply correspondingly if the aforementioned hindrances have occurred at suppliers of TECE or their sub-suppliers.
- Correct and timely self-supply shall remain reserved.
- Where TECE has failed to provide a due service in accordance with the contract, the purchaser shall not be entitled to withdraw from the contract and/or demand compensation for damages instead of the entire performance or the reimbursement of futile expenses as far as TECE's breach of duty is insignificant.
- TECE shall come in default only as a consequence of a reminder unless something else results from the law or the contract. To become effective, reminders submitted and deadlines set by the purchaser shall require written form.
- Compliance with delivery obligations on the part of TECE shall require timely and proper performance of the purchaser's obligations. The defence of non-performance of the contract shall remain reserved. TECE shall be entitled to partial delivery and partial performance at any time.
- As far as TECE fails to provide a due service or fails to provide such a service in line with what is owed, the purchaser shall be entitled to withdraw from the contract and, subject to the culpable infringement of a contractual obligation on the part of TECE, to demand compensation for damages instead of performance or the reimbursement of futile expenses without prejudice to the additional prerequisites under the following subsections. Another prerequisite shall be that the purchaser has set an appropriate period of time for performance or subsequent performance and that this period of time has expired unsuccessfully.
- The purchaser shall be under obligation to link the period of grace pursuant to Subsection 4.8 above with the explicit statement that, after unsuccessful expiry of the period of grace, he will reject delivery and assert the rights arising against TECE from Subsection 4.8 above.
- Where performance has already been provided partially, the purchaser shall only be entitled to demand compensation for damages instead of the entire performance as far as his interest in the entire performance requires so. Withdrawal from the entire contract shall only be possible in this event as far as the purchaser is able to prove that he has no interest in any partial performance.
- Where TECE comes in default because of reasons, for which TECE is responsible, the liability for damages shall be ruled out in cases of ordinary negligence. The aforementioned limitation of liability shall not apply if the delay results from TECE's culpable infringement of an essential contractual obligation. In this event, the liability of TECE shall be limited, pursuant to Subsection 4.13 below, to the foreseeable damage typical of this kind of contract. In the event of any wilful infringement of the contract, for which TECE is responsible, TECE shall be liable according to the statutory provisions. More far-reaching compensation claims of the purchaser shall be ruled out in all cases of delayed delivery including after expiry of a period of grace possibly set to TECE. This shall not apply as far as compulsory liability is in place because of wilful misconduct, gross negligence and bodily injury; this shall not be associated with any change of the burden of proof to the disadvantage of the purchaser.
- In the event of delayed acceptance by the purchaser or in the event of infringement of other obligations to cooperate by the purchaser, TECE shall have the right to assert the legal claims, to which TECE is entitled. The risk of accidental loss and/or accidental deterioration of the object of purchase shall be transferred to the purchaser no later than at the point in time, at which the purchaser comes in default of acceptance.
- Where TECE comes in default, the purchaser shall be entitled – if he provides conclusive evidence that he has suffered damage as a result of such default – to demand compensation of 0.5 % at the most for each full week of delay in case of simple negligence without prejudice to the limitation of liability under Subsection 4.11 above. Overall, however, he shall not be entitled to demand more than 10 % of the price for that part of the delivery which the purchaser could not put into useful operation because of the delay.

5. Transfer of Risk, Packaging

- Unless otherwise agreed, delivery ex stock from TECE in Emsdetten shall be agreed. The risk will be transferred to the purchaser as soon as the shipment has been handed over to the person executing transportation or has left the TECE warehouse for shipping purposes. This shall also apply if TECE carries out the transportation by means of own personnel.
- If shipping becomes impossible through no fault of TECE, the risk will be transferred to the purchaser as soon as the delivery is reported as ready for shipment.
- If the purchaser wishes, TECE will cover the delivery through goods in transit insurance. The costs incurred in this respect shall be borne by the purchaser.
- The transport packaging and any other packaging pursuant to the German Packaging Regulation shall not be taken back, except for repeatedly usable means of transport such as pallets, lattice boxes, pressure cylinders etc. The purchaser shall be under obligation to arrange for the disposal of non-returnable packaging at his own expense. The repeatedly usable means of transport will be made available to the purchaser only by way of lending. The purchaser shall be under obligation to return them in proper condition, i.e. completely emptied and without damage. In case of contamination or damage of the means of transport, the purchaser shall bear the cost of repair or provide TECE with compensation for lost value if repair is impossible.

6. Prices and Payments

- The prices indicated in the respective current price lists of TECE plus the respectively applicable statutory value-added tax shall be relevant. Additional deliveries and services shall be invoiced separately.
- Unless otherwise agreed, the prices shall be prices ex stock of TECE in Emsdetten including normal packaging.
- Unless explicitly agreed otherwise, the amount invoiced shall be due without any deductions 30 days after the date of issue of the invoice.
- Where the purchaser comes in default of payment, TECE shall be entitled to assert the rights arising under § 288 BGB (German Civil Code).
- The purchaser shall only be entitled to rights of setoff if his counterclaims have been finally established, are undisputed or have been acknowledged by TECE. Moreover, he shall only be entitled to exercise a right of retention insofar as his counterclaim is based on the same contractual relationship.
- Where TECE is aware of circumstances calling the purchaser's creditworthiness into question, TECE shall be entitled to demand advance payments or security deposits without prejudice to more far-reaching legal claims.
- Cheques and bills of exchange, in respect of which TECE reserves acceptance, shall only be considered as payment following redemption. Possible discount and bank charges shall be at the expense of the purchaser.
- The goods shall be delivered in accordance with these terms and conditions subject to the reservation of proprietary rights. As far as TECE agrees with the purchaser on payment of the purchase price debt via the cheque/bill of exchange procedure, the reservation of proprietary rights shall also extend to the purchaser's redemption of the bill of exchange accepted by TECE and not expire through credit entry of the received bill of exchange.

7. Warranty

- The warranty rights of the purchaser shall require that the purchaser has properly met his obligations to perform an inspection and raise a complaint as owed under § 377 HGB (German Commercial Code).

- The legal rights of recourse of the purchaser against TECE shall only be in place insofar as the purchaser has not reached any agreement with his customer that goes beyond the legal rights to claim damages for defects.

- As far as the object of purchase shows a defect, for which TECE is responsible, TECE shall first be given the opportunity for subsequent performance within appropriate periods of time. TECE shall be entitled, at its own choice, to remedy the defects or make replacement delivery.
- If subsequent performance fails, the purchaser shall be entitled – without prejudice to possible claims for damages – to withdraw from the contract or reduce the purchase price. Claims of the purchaser regarding the expenses required for subsequent performance, especially transportation costs, infrastructure costs, labour costs and costs of materials, shall be ruled out insofar as such expenses increase because the object of delivery was subsequently taken to a place other than the place of performance, unless taking the object there is part of its intended use.
- Claims for damages because of defects shall not be in place in case of only insignificant deviations from the agreed quality, in case of an only insignificant impairment of usability, in the event of natural wear and tear and/or in case of damage having occurred after the transfer of risk due to inaccurate or negligent handling, excessive exposure, unsuitable operating devices and/or which arise because of particular external influences and/or are not stipulated in the contract.
- If the operation and/or maintenance instructions given by TECE are not adhered to, inadmissible changes are made to the products, parts are exchanged and/or consumable materials are used, which do not comply with the original specifications, the liability of TECE for material defects shall cease to apply, unless the warranty case is verifiably not attributable to one of the aforementioned reasons for exclusion.
- Claims because of material defects shall come under the statute of limitations in 12 months. This period shall begin running upon the transfer of risk. The aforementioned provisions shall not apply if the law stipulates longer periods pursuant to BGB §§ 438 Subsection 1 no. 2 (objects for buildings), 479 Subsection 1 (Right of Recourse) and 634 a (Constructional Defects).
- Unless otherwise agreed hereafter, more far-reaching claims of the purchaser – on whatever legal grounds – shall be ruled out. Therefore, TECE shall not be liable for damage not having been caused to the delivery item itself; in particular, TECE shall not be liable for lost profits or other financial damage suffered by the purchaser.
- If TECE infringes a cardinal obligation or essential contractual obligation through negligence, the liability to pay damages of TECE shall be limited to the sum insured of the product liability insurance, amounting to EUR 1.5 million. As far as the insurance does not provide cover, TECE shall be under obligation to provide compensation itself. On request, TECE is ready to let the purchaser inspect this policy. TECE undertakes to maintain the insurance until expiry of the warranty obligation subject to these conditions.
- The aforementioned exclusions of liability shall not apply if the damage is attributable to wilful misconduct or gross negligence. Moreover, they shall not apply either to cases of bodily injury and/or damage to health and to cases, in which the purchaser asserts claims for damages due to a guarantee having been assumed for the existence of a certain quality/property, unless the purpose of the quality/property guarantee only extends to compliance of the underlying delivery with the provisions of the contract, but not to the risk of consequential damage caused by a defect. The aforementioned regulations are not associated with any change of the burden of proof to the disadvantage of the purchaser.
- Payments made by TECE without explicit reason are a gesture of goodwill.

8. Joint and Several Liability

- Any liability for damages going beyond what is stated in Section 7 shall be ruled out – without respect of the legal nature of the asserted claim – especially as far as the infringement of obligations under a non-contractual relationship and through an impermissible act is concerned.
- The exclusion of liability pursuant to Subsection 8.1 above shall not apply to claims under the German Product Liability Act and in cases of damage to life, body or health.
- As far as TECE's liability is ruled out or restricted, this shall also apply to the personal liability of employees, staff members, personnel, representatives and auxiliary persons of TECE.
- The customer expressly warrants that he/she is entitled to publish and duplicate the texts and motifs. In particular, the customer hereby gives assurance that he/she will uphold all data-protection and privacy rights of all parties concerned. The customer shall not transmit any data whose content infringes any third-party rights (in particular those relating to competition or copyright law), or which violates existing laws or good morals. The customer hereby assumes full liability and exempts TECE from all third-party claims, in particular those relating to competition or copyright law. If claims are asserted against TECE, TECE shall also be indemnified against the legal costs necessary for its legal defence.

9. Reservation of Proprietary Rights

- The goods delivered shall remain property of TECE until complete payment of all accounts receivable relating to the business relationship between TECE and the purchaser has been made. The inclusion of individual accounts receivable in a current invoice and the acknowledgement of the respective account balance shall not affect the reservation of proprietary rights. Only receipt of the equivalent amount by TECE shall be considered as payment.
- If the purchaser acts in a manner contrary to contract, especially in the event of delayed payment, TECE shall be entitled to take back the object of purchase. The fact that TECE takes back the object of purchase shall not constitute withdrawal from the contract unless this is stated explicitly and in writing by TECE.
- A seizure of the object of purchase by TECE shall always constitute withdrawal from the contract. After TECE has taken back the object of purchase, TECE shall be entitled to its commercialisation. The proceeds of commercialisation less reasonable costs of commercialisation shall be set off against the purchaser's account payable.
- The purchaser shall be under obligation to handle the object of purchase with care. In particular, he shall be under obligation to sufficiently insure the object of purchase, according to its replacement value and at his own expense, against damage caused by fire, water and theft. Where maintenance and inspection works are required, the purchaser will have to carry out these works in due time at his own expense.
- In the event of seizure or any other intervention by third parties, TECE shall be notified in writing without delay, so that TECE will be able to bring legal action pursuant to § 771 ZPO (Code of Civil Procedure). As far as the third party is unable to reimburse the judicial and extrajudicial costs of a lawsuit pursuant to § 771 ZPO to TECE, the purchaser shall be liable for the resulting loss.
- The purchaser shall be entitled to resell the goods being subject to the reservation of proprietary rights in the framework of his regular course of business. However, he already now cedes to TECE all accounts receivable, which he acquires against his customers or third parties as a result of the resale, up to the final invoice amount (including value-added tax) of the accounts receivable, to which TECE is entitled. The cession shall be made regardless of whether the object of purchase has been resold without processing or after processing. TECE accepts the cession. If the ceded receivable against the acquirer of the goods being subject to the reservation of proprietary rights has been included in a current invoice (current account), the cession shall also refer to the acknowledged account balance and, in case of the respective customer's insolvency, to the "causal account balance" being in place in this event. In spite of the cession, the purchaser shall be entitled to collect this receivable. The authority of TECE to collect the receivable itself shall remain unaffected. However, TECE undertakes not to collect the receivable as long as the purchaser meets his payment obligations relating to the collected proceeds, as long as he is not in default of payment and, in particular, as long as no application for the opening of insolvency proceedings has been filed or no cessation of payments has occurred. Where this is the case, however, TECE shall be entitled to demand from the purchaser to notify TECE of the ceded accounts receivable and their respective debtors, provide any information necessary for collection, hand over the related documents and notify the debtors (third parties) of the cession.
- Processing or alteration of the goods subject to the reservation of proprietary rights by the purchaser shall always be done on behalf of TECE. If the goods subject to the reservation of proprietary rights are processed together with other objects not belonging to TECE, TECE shall acquire co-ownership of the new object in accordance with the proportion between the value of the goods subject to the reservation of proprietary rights (final invoice amount including VAT) and the value of the other processed objects at the time of processing. Apart from that, the same regulations shall apply to the object having resulted from such processing activities as are applicable to the goods delivered subject to reservations.
- If the goods subject to the reservation of proprietary rights are combined inseparably with other objects not belonging to TECE, TECE shall acquire co-ownership of the new object in accordance with the proportion between the value of the goods subject to the reservation of proprietary rights (final invoice amount including VAT) and the value of the other, combined objects at the time of such combination. If the combination is done in such a way that the object of the purchaser is to be regarded as the main object, it shall be considered as agreed that the purchaser transfers proportionate co-ownership to TECE. The purchaser shall store the resulting sole or joint property for TECE.
- TECE undertakes to release the securities, to which TECE is entitled, on request from the purchaser insofar as the marketable value of the securities, to which TECE is entitled, exceeds the accounts receivable to be covered by more than 10 %. The securities to be released shall be selected by TECE.

10. Applicable Law, Place of Jurisdiction, Partial Voidness

- For all current and future claims under the business relationship with contractors, legal entities under public law and special funds under public law including cheque receivables and bill of exchange-related receivables, the exclusive place of jurisdiction shall be the registered office of TECE in Emsdetten. However, TECE shall also be entitled to sue the purchaser at the court responsible for the purchaser's place of domicile.
- Unless otherwise stated in the order confirmation, the registered office of TECE in Emsdetten shall be the place of performance.
- These terms and conditions and all legal relationships between TECE and the purchaser shall be subject to the law of the Federal Republic of Germany. Any applicability of the U.N. Convention of 11 April 1980 on Contracts for the International Sale of Goods (Federal Gazette 1989 II p. 588, adjusted 1990 II, 1699) shall be ruled out.

Emsdetten/Germany, June 2025

Publisher:	TECE SE, Hollefeldstraße 57, D-48282 Emsdetten, Tel.: +49 25 72 / 9 28-0, Fax: +49 25 72 / 9 28-124
Authorized representative	
Executive Board:	Peter Fehlings (Spokesman of the Executive Board), André Welle, Dr. Michael Freitag
Chairman of the	
Supervisory Board:	Frank Göring
Legal information:	Steinfurt Local Court, HRB 15460

Sanitary Systems

SANITARY CERAMICS





	Page
Shower toilets	8
TECEneo	8
TECEone	12
Accessories	16
Spare parts	21
Toilets	30
TECEneo	30
TECEloft	32
Accessories	33
Spare parts	34

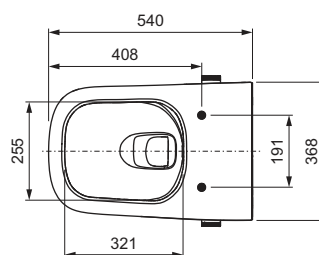
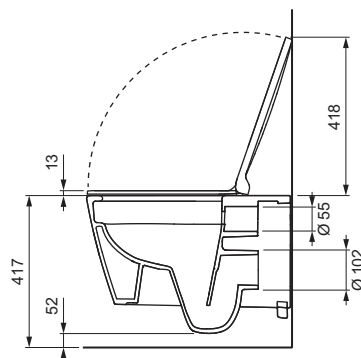
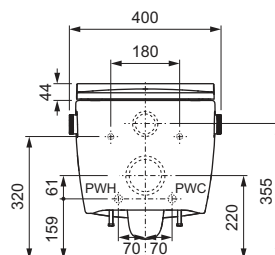
Shower toilets - TECEneo

TECEneo set, hot and cold water

Set consisting of:

- TECEneo shower toilet with hot and cold water connection (9700205)
- TECEneo/one (shower) toilet seat with lid "slim" (9700603)
- Connection material including concealed attachment, sound insulation tape etc.

Item No.	DU 1	DU 2	DU 3
9700213	1 pc.	4 pc.	8 pc.



TECEneo shower toilet, hot and cold water

Water-saving, rimless toilet ceramic with integrated shower function for comfortable personal cleaning using water. Shower function without electricity via on-site hot and cold water connection, toilet ceramic for in-wall cisterns, simple new installation or retrofitting, individual combination options. Few components - easy maintenance.

Features of the shower function:

- Intuitive operation via side rotary knobs for water temperature and water volume
- Infinitely adjustable shower jet (full-volume shower jet up to 5.6 l/min)
- Infinitely adjustable water temperature (max. 38 °C)
- Replaceable shower arm caps
- Self-cleaning shower arm
- Approval according to EN 1717
- Minimum flow pressure 1.5 bar (max. 10 bar)
- Function via water pressure - no electrical connection required

Toilet ceramic features:

- Wall-hung toilet, flush-down type, for 6 and 4.5 litre flush volumes
- cyclon flush technology (thorough and quiet flushing)
- cera clean technology (surface for easy cleaning)
- Compact design - projection 540 mm
- Concealed wall attachment and concealed water connections
- Rimless ceramic
- pre fix technology: factory-moulded toilet seat attachment for a wobble-free seat and lid (compatible with all TECENEneo/one (shower) toilet seats)
- Material: sanitary ceramics, colour white
- Hygiene-optimised ceramic design
- Approval according to EN 997
- Dimensions (W x H x D): 368 x 365 x 540 mm

Scope of supply:

- Toilet ceramic including concealed toilet mounting
- Designer rotary knobs in brushed stainless steel
- Reinforced hoses for water connection to standard corner valves
- Sound insulation
- Shower arm installation tool
- Splash guard for installation and explanation
- Device for descaling unit
- Cleaning box

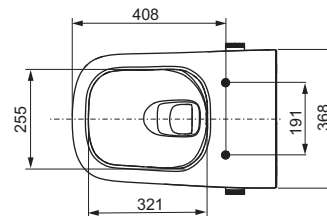
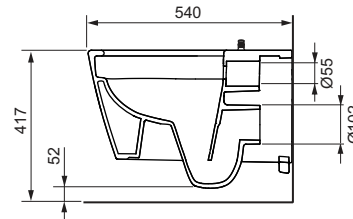
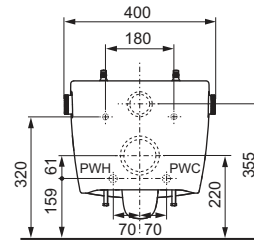
Please order separately:

- TECENEneo/one (shower) toilet seat with lid "classic" (Item No. 9700600)
- TECENEneo/one (shower) toilet seat with lid "slim" (Item No. 9700603)

Note:

A warm and cold water connection with corner valves must be installed on site for the shower function (see upgrade sets).

In combination with TECELux the lower attachment glass facing has to be selected (Item No. 9650109 or 9650110).



Item No.	DU 1	DU 2	DU 3
9700205	1 pc.	4 pc.	8 pc.

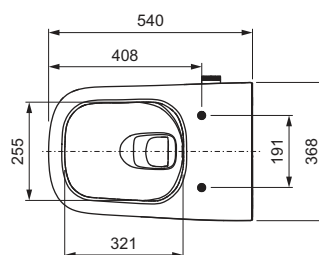
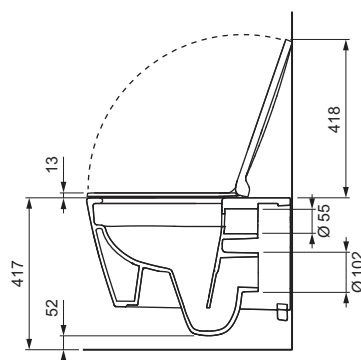
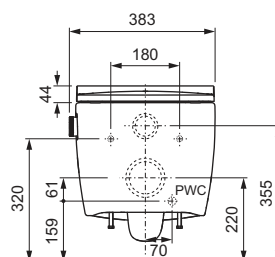
Shower toilets - TECEneo

TECEneo set, cold water

Set consisting of:

- TECEneo shower toilet with cold water connection (9700207)
- TECEneo/one (shower) toilet seat with lid "slim" (9700603)
- Connection material including concealed attachment, sound insulation tape etc.

Item No.	DU 1	DU 2	DU 3
9700214	1 pc.	4 pc.	8 pc.



TECEneo shower toilet, cold water

Water-saving, rimless toilet ceramic with integrated shower function for comfortable personal cleaning using water. Shower function uses the building's cold water connection and therefore requires no electricity, toilet ceramic appliance for in-wall cisterns, simple new installation or retrofitting, individual combination options. Few components - easy maintenance.

Features of the shower function:

- Intuitive operation via side rotary knob for water volume
- Infinitely adjustable shower jet (full-volume shower jet up to 5.6 l/min)
- Replaceable shower arm caps
- Self-cleaning shower arm
- Approval according to EN 17 17
- Minimum flow pressure 1.5 bar (max. 10 bar)
- Function via water pressure - no electrical connection required

Toilet ceramic features:

- Wall-hung toilet, flush-down type, for 6 and 4.5 litre flush volumes
- cyclon flush technology (thorough and quiet flushing)
- cera clean technology (surface for easy cleaning)
- Compact design - projection 540 mm
- Concealed wall attachment and concealed water connection
- Rimless ceramic
- pre fix technology: factory-moulded toilet seat attachment for a wobble-free seat and lid (compatible with all TECEneo/one (shower) toilet seats)
- Material: sanitary ceramics, colour white
- Hygiene-optimised ceramic design
- Approval according to EN 997
- Dimensions (W x H x D): 368 x 365 x 540 mm

Scope of supply:

- Toilet ceramic including concealed toilet mounting
- Design rotary knob in brushed stainless steel
- Reinforced hose for water connection to standard corner valve
- Sound insulation
- Shower arm installation tool
- Splash guard for installation and explanation
- Device for descaling unit
- Cleaning box

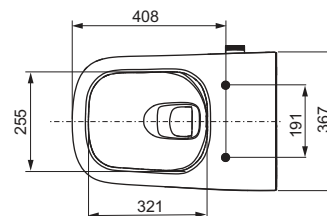
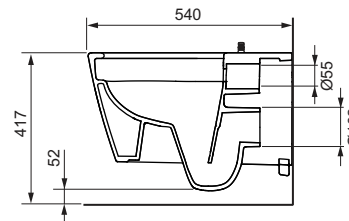
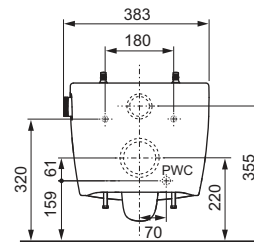
Please order separately:

- TECEneo/one (shower) toilet seat with lid "classic" (Item No. 9700600)
- TECEneo/one (shower) toilet seat with lid "slim" (Item No. 9700603)

Note:

A cold water connection with corner valves must be installed on site for the shower function (see upgrade sets).

In combination with TECElux the lower attachment glass facing has to be selected (Item No. 9650109 or 9650110).



Item No.	DU 1	DU 2	DU 3
9700207	1 pc.	4 pc.	8 pc.

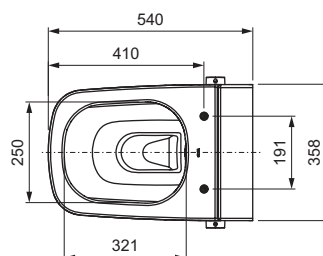
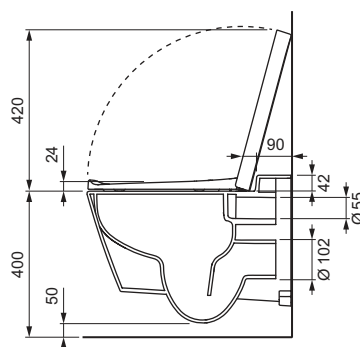
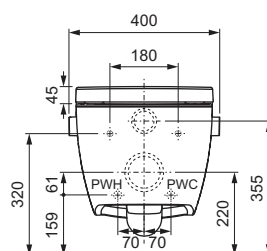
Shower toilets - TECEone

TECEone set, hot and cold water

Set consisting of:

- TECEone shower toilet with hot and cold water connection (9700200)
- TECEneo/one (shower) toilet seat with lid "classic" (9700600)
- Connection material including concealed fixing, sound insulation tape etc.

Item No.	DU 1	DU 2	DU 3
9700216	1 pc.	4 pc.	8 pc.



TECEone shower toilet, hot and cold water

Rimless toilet ceramic with integrated shower function for comfortable personal cleaning using water. The shower function uses the building's hot and cold water connections, and therefore requires no electricity. Toilet ceramics for in-wall cisterns, simple new installation or retrofitting, customised combination options, few components - easy maintenance.

Features of the shower function:

- Intuitive operation via side rotary knobs for water temperature and water volume
- Shower jet continuously adjustable up to 5.6 l/min
- Water temperature individually adjustable (max. 38 °C)
- Self-cleaning shower arm
- Replaceable shower arm caps
- Approval according to EN 1717
- Minimum flow pressure 1.5 bar (max. 10 bar)

Toilet ceramic features:

- Wall-hung toilet, flush-down type, for 6 and 4.5 litre flush volumes
- Compact design - projection 540 mm
- Concealed wall attachment and concealed water connections
- Rimless ceramic
- pre fix technology: factory-moulded toilet seat attachment for a wobble-free seat and lid (compatible with all TECEneo/one (shower) toilet seats)
- Material: sanitary ceramics, colour white
- Hygiene-optimised ceramic design
- Approval according to EN 997
- Dimensions (W x H x D): 358 x 350 x 540 mm

Scope of supply:

- Toilet ceramic including concealed toilet mounting
- Plastic rotary knobs, white-transparent with indication of temperature/water volume
- Reinforced hoses for water connection to standard corner valves
- Sound insulation
- Shower arm installation tool
- Splash guard for installation and explanation

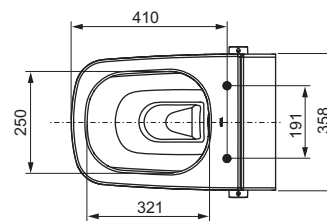
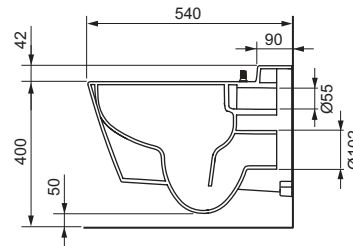
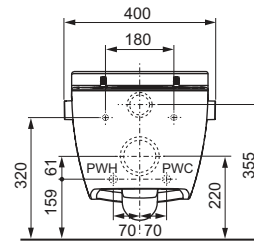
Please order separately:

- TECEneo/one (shower) toilet seat with lid "classic" (Item No. 9700600)
- TECEneo/one (shower) toilet seat with lid "slim" (Item No. 9700603)

Note:

A warm and cold water connection with corner valves must be installed on site for the shower function (see upgrade sets).

In combination with TECeLux the lower attachment glass facing has to be selected (Item No. 9650109 or 9650110).



Item No.	DU 1	DU 2	DU 3
9700200	1 pc.	4 pc.	8 pc.

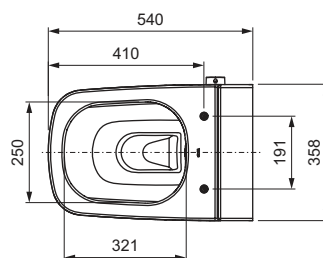
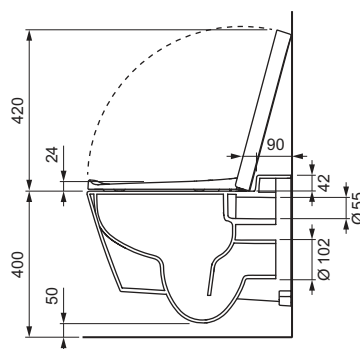
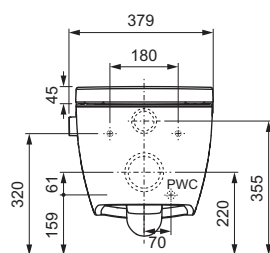
Shower toilets - TECEone

TECEone set, cold water

Set consisting of:

- TECEone shower toilet with cold water connection (9700201)
- TECEneo/one (shower) toilet seat with lid "classic" (9700600)
- Connection material including concealed fixing, sound insulation tape etc.

Item No.	DU 1	DU 2	DU 3
9700212	1 pc.	4 pc.	8 pc.



TECEone shower toilet, cold water

Rimless toilet ceramic with integrated shower function for comfortable personal cleaning using water. The shower function uses the building's cold water connections, and therefore requires no electricity. Toilet ceramics for in-wall cisterns, simple new installation or retrofitting, customised combination options, few components - easy maintenance.

Shower function features:

- Intuitive operation via side rotary knob for water volume
- Shower jet continuously adjustable up to 5.6 l/min
- Self-cleaning shower arm
- Replaceable shower arm caps
- Approval according to EN 1717
- Minimum flow pressure 1.5 bar (max. 10 bar)

Toilet ceramic features:

- Wall-hung toilet, flush-down type, for 6 and 4.5 litre flush volumes
- Compact design - projection 540 mm
- Concealed wall attachment and concealed water connection
- Rimless ceramic
- pre fix technology: factory-moulded toilet seat attachment for a wobble-free seat and lid (compatible with all TECEneo/one (shower) toilet seats)
- Material: sanitary ceramics, colour white
- Hygiene-optimised ceramic design
- Approval according to EN 997
- Dimensions (W x H x D): 358 x 350 x 540 mm

Scope of supply:

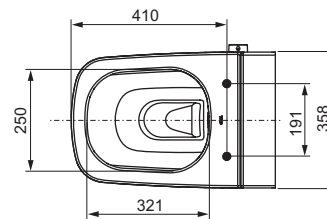
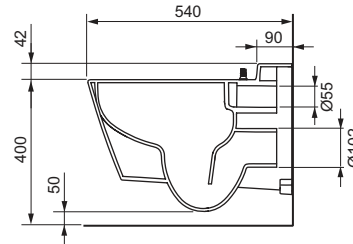
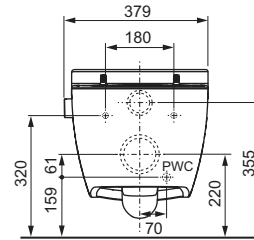
- Toilet ceramic including concealed toilet mounting
- Plastic rotary knob, white-transparent with indication of water volume
- Reinforced hose for water connection to standard corner valve
- Splash guard for installation and explanation

Please order separately:

- TECEneo/one (shower) toilet seat with lid "classic" (Item No. 9700600)
- TECEneo/one (shower) toilet seat with lid "slim" (Item No. 9700603)

Note:

A cold water connection with corner valve must be pre-fitted on site for the shower function (see upgrade kits).
In combination with TECElux the lower attachment glass panel has to be selected (Item No. 9650109 or 9650110).



Item No.	DU 1	DU 2	DU 3
9700201	1 pc.	4 pc.	8 pc.

Shower toilets – Accessories

TECEneo/one (shower) toilet seat with lid "slim"

Toilet seat with lid in a particularly slim design, suitable for TECE (shower) toilets with pre fix technology.

Toilet seat features:

- Particularly slim design, lid encloses seat
- pre fix technology for a wobble-free seat and lid
- Quick installation thanks to pre fix technology: attach and tighten screw if required.
- Hinges made of glass fibre-reinforced high-performance plastic with "soft-close" lowering system
- Easy to remove: Screw can be loosened without tools
- Easy to clean, complete seat and lid unit can be removed
- Toilet seat with ergonomic design for comfortable seating posture
- Prevents 'splashing', e.g. with small children, thanks to the extension of the seat at the front inside.
- Made of torsion-resistant Duroplast, colour white
- Approval according to DIN 19516



Item No.	DU 1	DU 2
9700603	1 pc.	5 pc.

TECEneo/one (shower) toilet seat with lid "classic"

Toilet seat with lid, suitable for TECE (shower) toilets with pre fix technology.

Toilet seat features:

- Lid encloses seat
- pre fix technology for a wobble-free seat and lid
- Quick installation thanks to pre fix technology: attach and tighten screw if required.
- Hinges made of glass fibre-reinforced high-performance plastic with "soft-close" lowering system
- Easy to remove: Screw can be loosened without tools
- Easy to clean, complete seat and lid unit can be removed
- Toilet seat with ergonomic design for comfortable seating posture
- Prevents 'splashing', e.g. with small children, thanks to the extension of the seat at the inside front.
- Made of torsion-resistant Duroplast, colour white
- Approval according to DIN 19516



Item No.	DU 1	DU 2
9700600	1 pc.	5 pc.

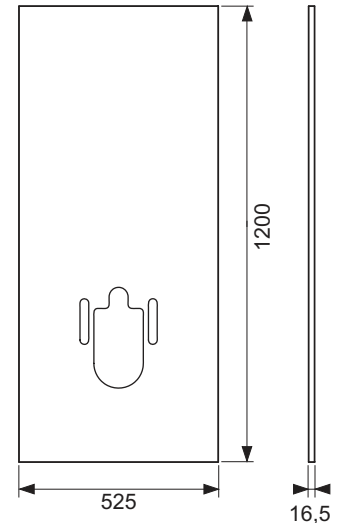
TECE retrofit plate for TECE shower toilets

Universal retrofit cover for easy retrofitting of a TECE toilet cold water in an existing bathroom.

- Ideal for renovation work
- Base material made of polyurethane material on a hard foam basis
- Surface lamination made of HPL material with extra matt surface and anti-fingerprint
- Glued edges
- Back with cut-outs for the reinforced hose guide and toilet connection
- Moisture-resistant and pressure-resistant material, DIN tested
- Customised cutting of the access for the flush plate possible
- For frames with a standard height of 1120 mm
- Approx. dimensions: 1200 x 525 x 16.5 mm

Please order separately:

TECE toilet connection set DN 90, 300 mm, Item No. 9820214 (optional)



Colour	Item No.	DU 1	DU 2
Matt white	9700620	1 pc.	20 pc.
Matt black	9700621	1 pc.	20 pc.

TECE shower nozzle cap

Interchangeable top caps (3 items) for individualising the shower jet intensity and the shower jet angle.



Version	Colour	Item No.	DU 1
"standard" 75°	White	9820403	1 pc.
"standard" 90°	White	9820404	1 pc.
"medium" 90°	White	9820405	1 pc.
"small" 90°	White	9820406	1 pc.

TECE shower toilet rotary knob

For individualisation of the TECEno and TECOne, simply interchangeable by plugging on. Elegant variants with side indentations for grip, plastic variants each with additional printed operating instructions.



Version	Colour	Item No.	DU 1
Temperature/Water volume	Matt black	9700606	1 pc.
Temperature/Water volume	Brushed stainless steel	9700608	1 pc.
Temperature	Plastic white	9820361	1 pc.
Water volume	Plastic white	9820362	1 pc.

Shower toilets – Accessories

TECE upgrade set brick-wall 8 cm for TECE shower toilets

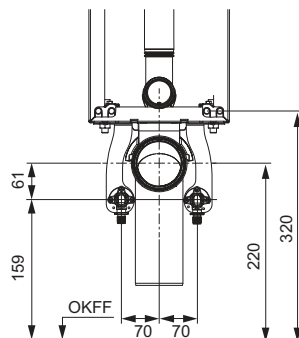
Sound-decoupled shell set for pre-fitting brick-wall cisterns with Octa II and Base 8 cisterns for the water connection of a TECE shower toilet.

Shell set consisting of:

- Holding plates for hot and cold water connections
- Sound insulation for wall discs
- Fastening screws for wall discs



Item No.	DU 1
9880048	1 pc.



TECE upgrade set brick-wall for TECE shower toilets

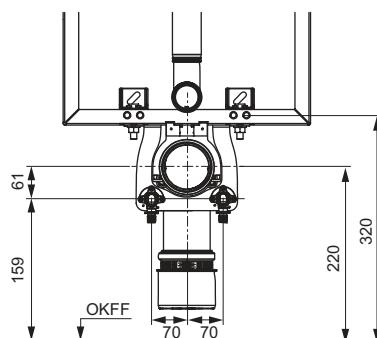
Sound-decoupled shell set for pre-fitting brick-wall cisterns with Uni cisterns (installation depth 13 cm) for the water connection of a TECE shower toilet.

Shell set consisting of:

- Holding plate for hot and cold water connections
- Sound insulation for wall discs
- Fixing screws for wall discs
- Mounting material



Item No.	DU 1	DU 2
9880047	1 pc.	25 pc.

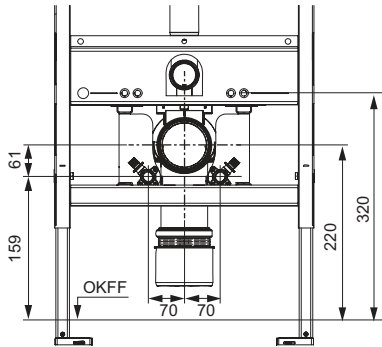


TECE upgrade set dry-wall for TECE shower toilets

Sound-decoupled shell construction set for pre-fitting dry-wall modules with Uni and Base cisterns for the water connection of a TECE shower toilet.

- Shell set consisting of:
- Holding plates for hot and cold water connections
 - Sound insulation for wall discs
 - Fixing screws for wall discs
 - Safety pins for holding plates

Item No.	DU 1	DU 2
9880046	1 pc.	100 pc.

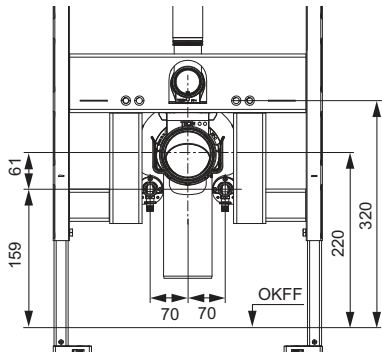


TECE dry-wall construction upgrade set 8 cm for TECE shower toilets, depth-adjustable

Sound-insulated shell set for pre-fitting dry-wall modules with Octa II and Base 8 cisterns for the water connection of a TECE shower toilet, depth-adjustable.

- Shell set consisting of:
- Holding plates for hot and cold water connections
 - Sound-proofing elements for wall discs
 - Fastening screws for wall discs
 - Two screws including spacer sleeves

Item No.	DU 1
9880082	1 pc.



TECE corner valves

Two chromed corner valves (1/2" x 3/8") including rosettes.

Item No.	DU 1
9820464	1 set



Shower toilets – Accessories

TECE wall disks made of silicon bronze

Two wall discs 1/2" x 1/2" internal thread; for optional combination with an upgrade set for TECE shower toilets; as a universal transition to common pipe systems.



Item No.	DU 1	DU 2
9021032	1 pc.	35 pc.

TECE descaling set

Set for descaling TECE shower toilets.

Consisting of:

- Universal splash guard
- Descaling tabs
- Closure cover



Item No.	DU 1
9820580	1 pc.

TECE descaling tablets

4 tabs for descaling the TECE shower toilets.

Item No.	DU 1	DU 2
9820591	1 set	108 set



TECE shower toilet cleaning box for shower arm

For touch-free and easy cleaning of the shower arm, with a holder for a standard household sponge.

Item No.	DU 1
9700605	1 pc.



TECEneo descaling unit

Supplement to the TECEneo shower toilet, for simplified descaling.

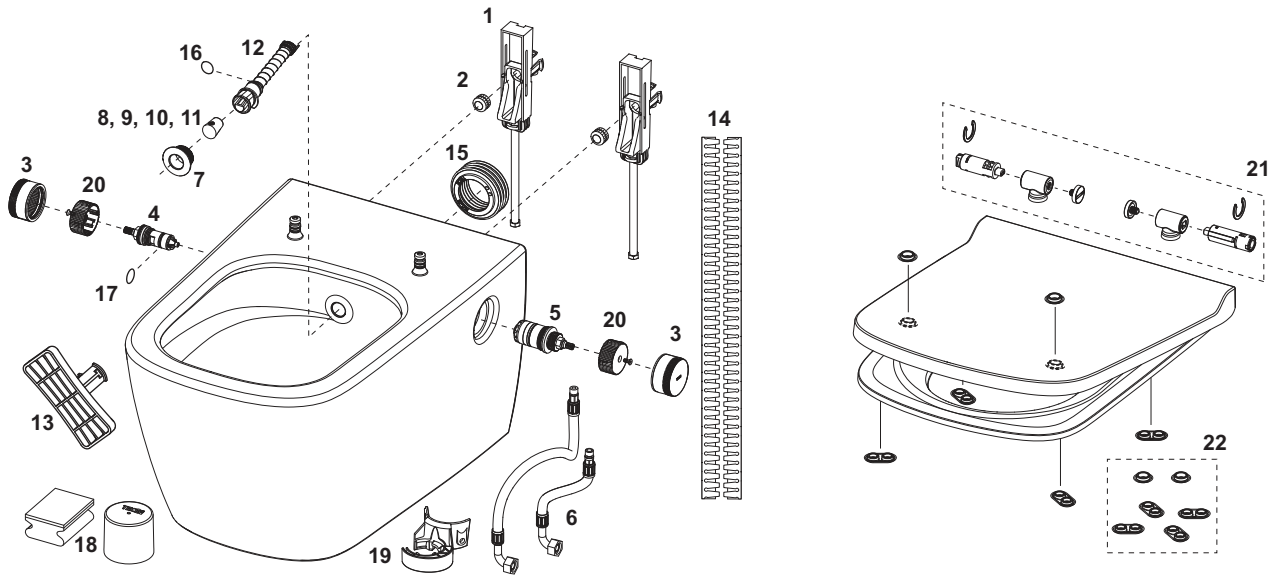
Consisting of:

- Brass descaling housing
- Descaling plug with holder for TECE descaling tab including turning aid
- TECE descaling tabs (4 pieces)
- Reinforced hose
- Descaling cap for shower arm



Item No.	DU 1
9700625	1 pc.

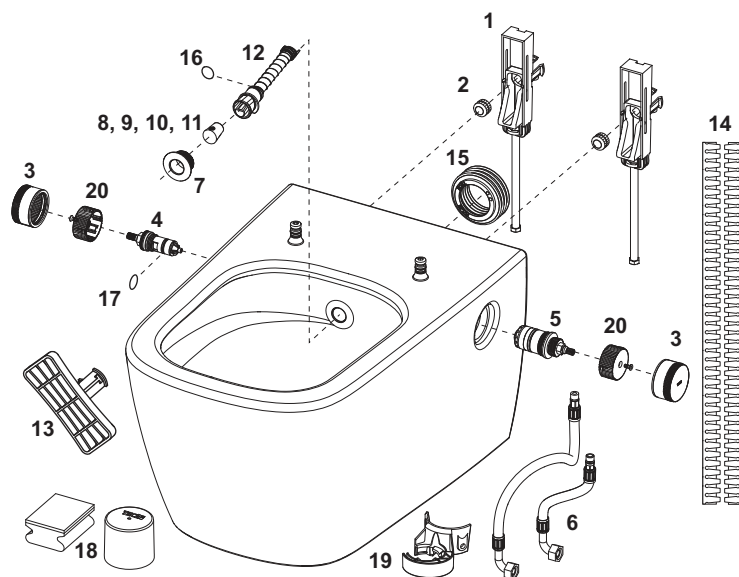
9700213 – TECNeo set, hot and cold water



Pos.	Item No.	Designation	DU 1
1	9820356	Concealed mounting	1 pc.
2	9820357	Knurled nut (2 x) for concealed mounting	1 pc.
3	9700606	Control knob, matt black	1 pc.
	9700608	Control knob, brushed stainless steel	1 pc.
4	9820469	Ceramic cartridge including EN 1717 safeguard	1 pc.
5	9820360	Thermostatic cartridge	1 pc.
6	9820471	Reinforced hoses (from 2021)	1 pc.
7	9820364	Rosette, white	1 pc.
8	9820403	Shower nozzle cap (3 x) "standard" 75°, white	1 pc.
9	9820404	Shower nozzle cap (3 x) "standard" 90°, white	1 pc.
10	9820405	Shower nozzle cap (3 x) "medium" 90°, white	1 pc.
11	9820406	Shower nozzle cap (3 x) "small" 90°, white	1 pc.
12	9820363	Shower arm complete set, white	1 pc.
13	9820422	Removal tool shower arm	1 pc.
14	9820351	Sound insulation tape	1 pc.
15	9820484	Seal for flush pipe connection	1 pc.
16	9820585	O-ring for shower arm spring retainer	1 pc.
17	9820586	O-ring for safety device EN 1717	1 pc.
18	9700605	Cleaning box for shower bar	1 pc.
19	9820697	Bracket for descaling unit	1 pc.
20	9820703	Snap-on wheel	1 pc.
21	9820672	Fitting and damper for seat/lid "slim"	1 pc.
22	9820673	Buffer set for seat/lid "slim"	1 pc.

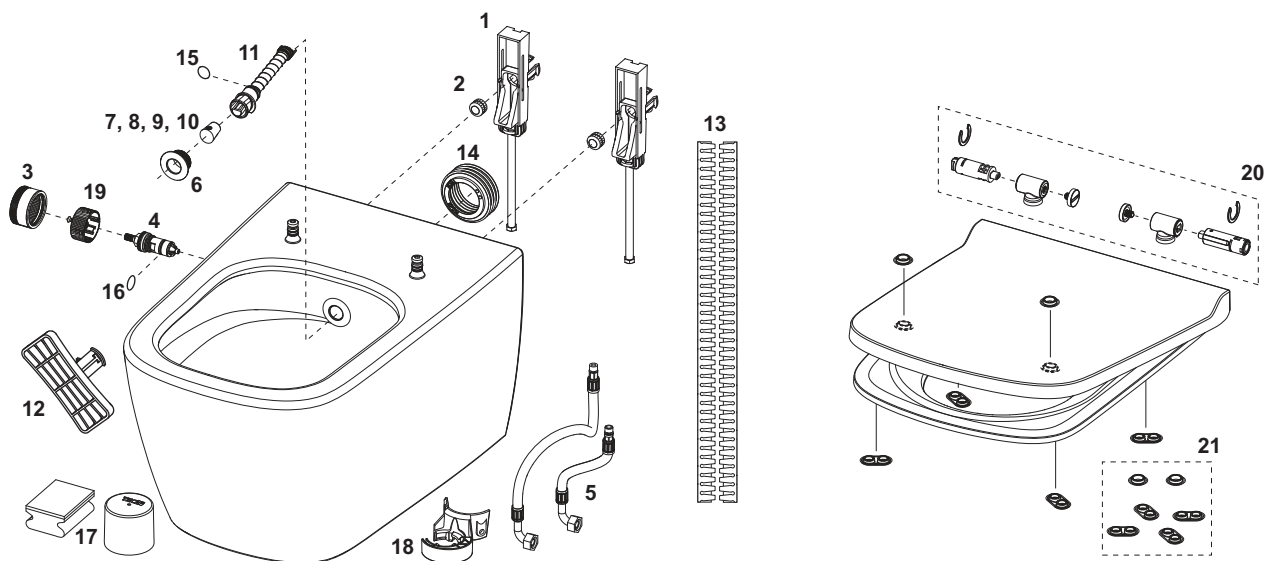
Shower toilets – Spare parts

9700205 – TECNeo shower toilet, hot and cold water



Pos.	Item No.	Designation	DU 1
1	9820356	Concealed mounting	1 pc.
2	9820357	Knurled nut (2 x) for concealed mounting	1 pc.
3	9700606	Control knob, matt black	1 pc.
	9700608	Control knob, brushed stainless steel	1 pc.
4	9820469	Ceramic cartridge including EN 1717 safeguard	1 pc.
5	9820360	Thermostatic cartridge	1 pc.
6	9820471	Reinforced hoses (from 2021)	1 pc.
7	9820364	Rosette, white	1 pc.
8	9820403	Shower nozzle cap (3 x) "standard" 75°, white	1 pc.
9	9820404	Shower nozzle cap (3 x) "standard" 90°, white	1 pc.
10	9820405	Shower nozzle cap (3 x) "medium" 90°, white	1 pc.
11	9820406	Shower nozzle cap (3 x) "small" 90°, white	1 pc.
12	9820363	Shower arm complete set, white	1 pc.
13	9820422	Removal tool shower arm	1 pc.
14	9820351	Sound insulation tape	1 pc.
15	9820484	Seal for flush pipe connection	1 pc.
16	9820585	O-ring for shower arm spring retainer	1 pc.
17	9820586	O-ring for safety device EN 1717	1 pc.
18	9700605	Cleaning box for shower bar	1 pc.
19	9820697	Bracket for descaling unit	1 pc.
20	9820703	Snap-on wheel	1 pc.

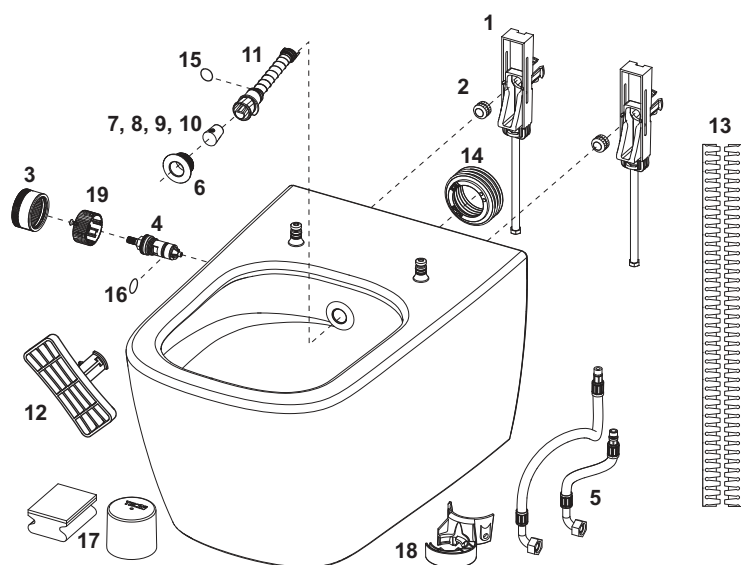
9700214 – TECNeo set, cold water



Pos.	Item No.	Designation	DU 1
1	9820356	Concealed mounting	1 pc.
2	9820357	Knurled nut (2 x) for concealed mounting	1 pc.
3	9700606	Control knob, matt black	1 pc.
	9700608	Control knob, brushed stainless steel	1 pc.
4	9820469	Ceramic cartridge including EN 1717 safeguard	1 pc.
5	9820471	Reinforced hoses (from 2021)	1 pc.
6	9820364	Rosette, white	1 pc.
7	9820403	Shower nozzle cap (3 x) "standard" 75°, white	1 pc.
8	9820404	Shower nozzle cap (3 x) "standard" 90°, white	1 pc.
9	9820405	Shower nozzle cap (3 x) "medium" 90°, white	1 pc.
10	9820406	Shower nozzle cap (3 x) "small" 90°, white	1 pc.
11	9820363	Shower arm complete set, white	1 pc.
12	9820422	Removal tool shower arm	1 pc.
13	9820351	Sound insulation tape	1 pc.
14	9820484	Seal for flush pipe connection	1 pc.
15	9820585	O-ring for shower arm spring retainer	1 pc.
16	9820586	O-ring for safety device EN 1717	1 pc.
17	9700605	Cleaning box for shower bar	1 pc.
18	9820697	Bracket for descaling unit	1 pc.
19	9820703	Snap-on wheel	1 pc.
20	9820672	Fitting and damper for seat/lid "slim"	1 pc.
21	9820673	Buffer set for seat/lid "slim"	1 pc.

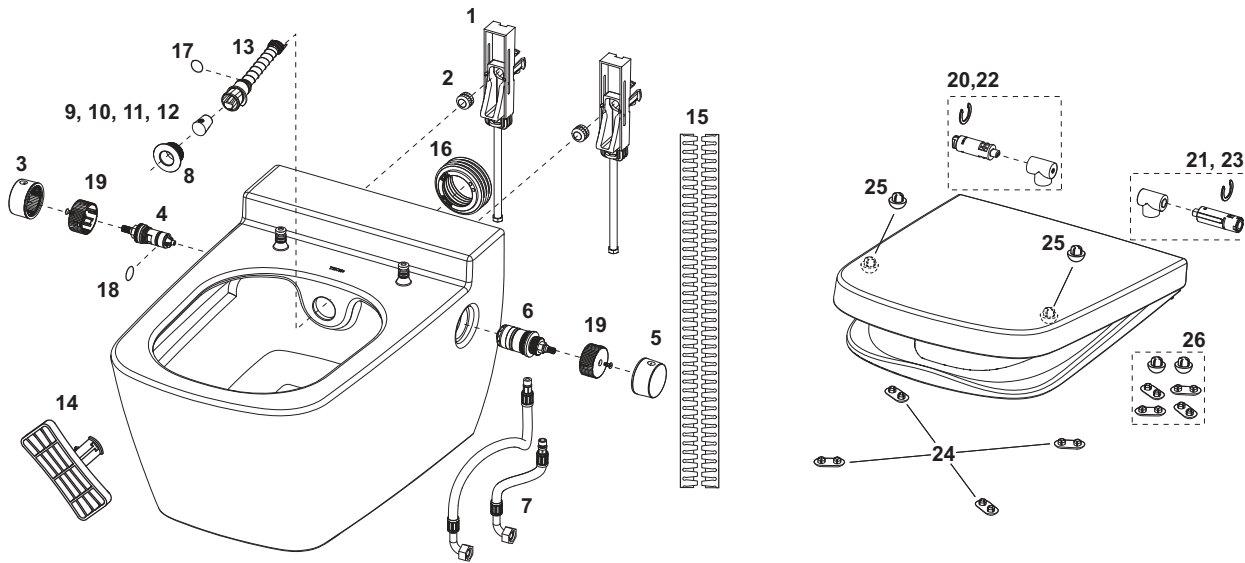
Shower toilets – Spare parts

9700207 – TECNeo shower toilet, cold water



Pos.	Item No.	Designation	DU 1
1	9820356	Concealed mounting	1 pc.
2	9820357	Knurled nut (2 x) for concealed mounting	1 pc.
3	9700606	Control knob, matt black	1 pc.
	9700608	Control knob, brushed stainless steel	1 pc.
4	9820469	Ceramic cartridge including EN 1717 safeguard	1 pc.
5	9820471	Reinforced hoses (from 2021)	1 pc.
6	9820364	Rosette, white	1 pc.
7	9820403	Shower nozzle cap (3 x) "standard" 75°, white	1 pc.
8	9820404	Shower nozzle cap (3 x) "standard" 90°, white	1 pc.
9	9820405	Shower nozzle cap (3 x) "medium" 90°, white	1 pc.
10	9820406	Shower nozzle cap (3 x) "small" 90°, white	1 pc.
11	9820363	Shower arm complete set, white	1 pc.
12	9820422	Removal tool shower arm	1 pc.
13	9820351	Sound insulation tape	1 pc.
14	9820484	Seal for flush pipe connection	1 pc.
15	9820585	O-ring for shower arm spring retainer	1 pc.
16	9820586	O-ring for safety device EN 1717	1 pc.
17	9700605	Cleaning box for shower bar	1 pc.
18	9820697	Bracket for descaling unit	1 pc.
19	9820703	Snap-on wheel	1 pc.

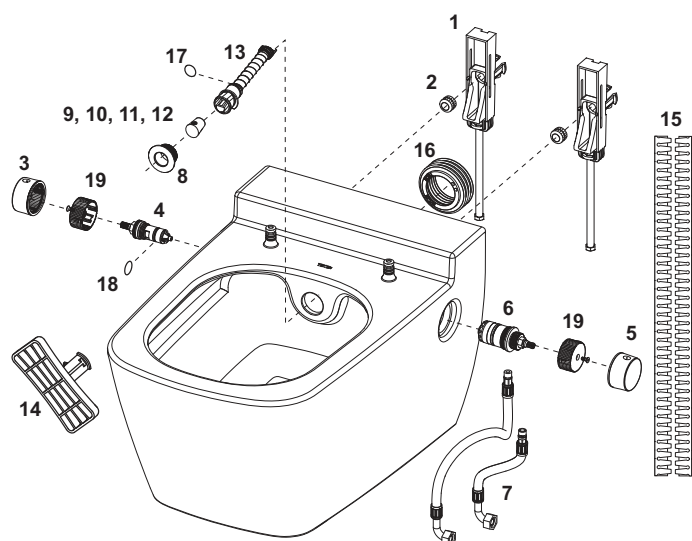
9700216 – TECEone set, hot and cold water



Pos.	Item No.	Designation	DU 1
1	9820356	Concealed mounting	1 pc.
2	9820357	Knurled nut (2 x) for concealed mounting	1 pc.
3	9820362	Control knob water volume, plastic white	1 pc.
4	9820469	Ceramic cartridge including EN 1717 safeguard	1 pc.
5	9820361	Control knob temperature, plastic white	1 pc.
6	9820360	Thermostatic cartridge	1 pc.
7	9820471	Reinforced hoses (from 2021)	1 pc.
	9820365	Reinforced hoses hot and cold (until 2020)	1 pc.
8	9820364	Rosette, white	1 pc.
9	9820403	Shower nozzle cap (3 x) "standard" 75°, white	1 pc.
10	9820404	Shower nozzle cap (3 x) "standard" 90°, white	1 pc.
11	9820405	Shower nozzle cap (3 x) "medium" 90°, white	1 pc.
12	9820406	Shower nozzle cap (3 x) "small" 90°, white	1 pc.
13	9820363	Shower arm complete set, white	1 pc.
14	9820422	Removal tool shower arm	1 pc.
15	9820351	Sound insulation tape	1 pc.
16	9820484	Seal for flush pipe connection	1 pc.
17	9820585	O-ring for shower arm spring retainer	1 pc.
18	9820586	O-ring for safety device EN 1717	1 pc.
19	9820703	Snap-on wheel	1 pc.
20	9820581	Fitting left and damper for seat/lid "classic" (from 2021)	1 pc.
21	9820582	Fitting right and damper for seat/lid "classic" (from 2021)	1 pc.
22	9820695	Fitting left and damper for seat/lid "classic" (from 03/2023)	1 pc.
23	9820696	Fitting right and damper for seat/lid "classic" (from 03/2023)	1 pc.
24	9820423	Bearing pad for seat "classic", 4 pieces (until 2021)	1 pc.
25	9820465	Bearing pad for lid "classic", 2 pieces (until 2021)	1 pc.
26	9820583	Bearing pad for seat/lid "classic" complete (from 2021)	1 pc.

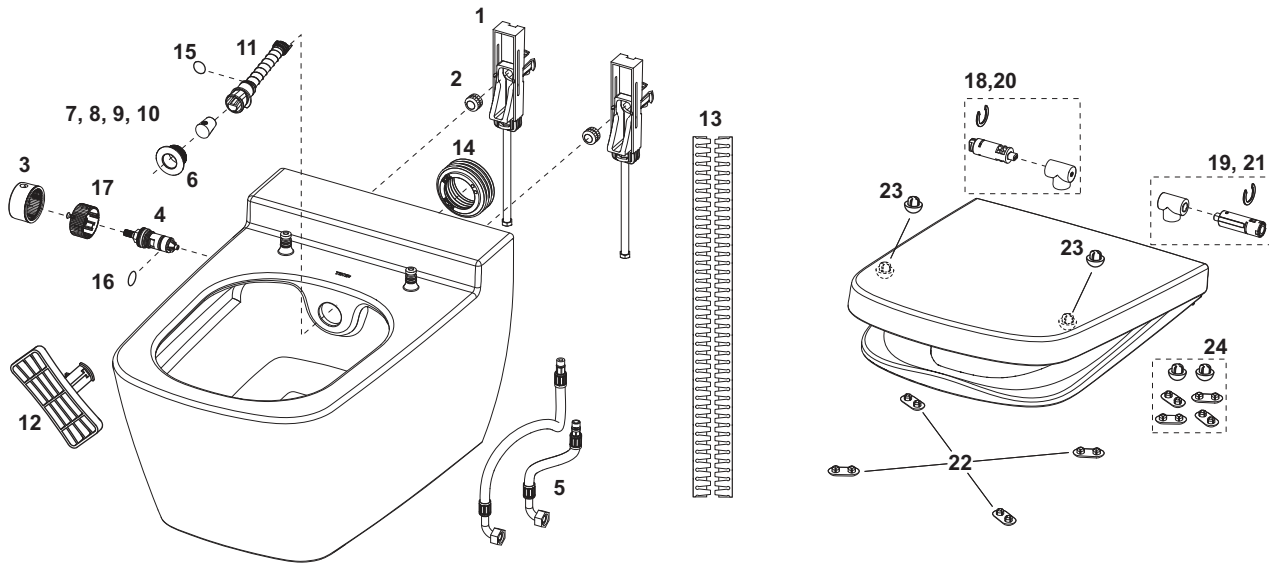
Shower toilets – Spare parts

9700200 – TECEone shower toilet, hot and cold water



Pos.	Item No.	Designation	DU 1
1	9820356	Concealed mounting	1 pc.
2	9820357	Knurled nut (2 x) for concealed mounting	1 pc.
3	9820362	Control knob water volume, plastic white	1 pc.
4	9820469	Ceramic cartridge including EN 1717 safeguard	1 pc.
5	9820361	Control knob temperature, plastic white	1 pc.
6	9820360	Thermostatic cartridge	1 pc.
7	9820471	Reinforced hoses (from 2021)	1 pc.
	9820365	Reinforced hoses hot and cold (until 2020)	1 pc.
8	9820364	Rosette, white	1 pc.
9	9820403	Shower nozzle cap (3 x) "standard" 75°, white	1 pc.
10	9820404	Shower nozzle cap (3 x) "standard" 90°, white	1 pc.
11	9820405	Shower nozzle cap (3 x) "medium" 90°, white	1 pc.
12	9820406	Shower nozzle cap (3 x) "small" 90°, white	1 pc.
13	9820363	Shower arm complete set, white	1 pc.
14	9820422	Removal tool shower arm	1 pc.
15	9820351	Sound insulation tape	1 pc.
16	9820484	Seal for flush pipe connection	1 pc.
17	9820585	O-ring for shower arm spring retainer	1 pc.
18	9820586	O-ring for safety device EN 1717	1 pc.
19	9820703	Snap-on wheel	1 pc.

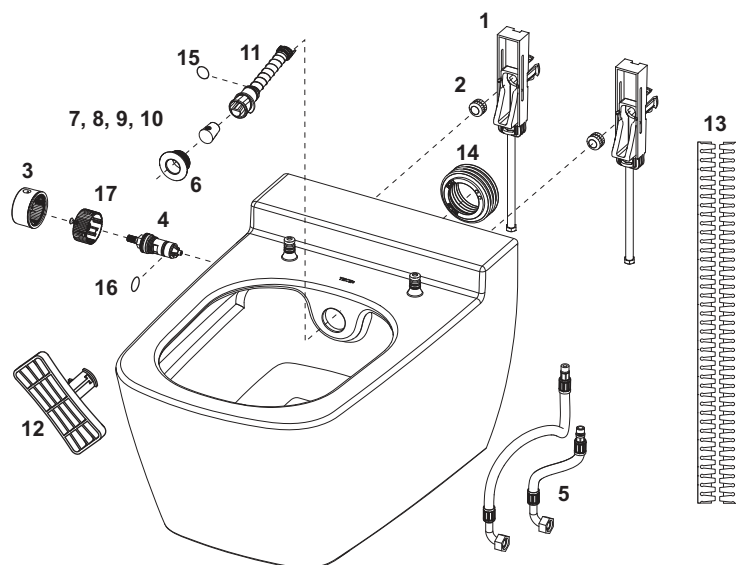
9700212 – TECEone set, cold water



Pos.	Item No.	Designation	DU 1
1	9820356	Concealed mounting	1 pc.
2	9820357	Knurled nut (2 x) for concealed mounting	1 pc.
3	9820362	Control knob water volume, plastic white	1 pc.
4	9820469	Ceramic cartridge including EN 1717 safeguard	1 pc.
5	9820471	Reinforced hoses (from 2021)	1 pc.
6	9820364	Rosette, white	1 pc.
7	9820403	Shower nozzle cap (3 x) "standard" 75°, white	1 pc.
8	9820404	Shower nozzle cap (3 x) "standard" 90°, white	1 pc.
9	9820405	Shower nozzle cap (3 x) "medium" 90°, white	1 pc.
10	9820406	Shower nozzle cap (3 x) "small" 90°, white	1 pc.
11	9820363	Shower arm complete set, white	1 pc.
12	9820422	Removal tool shower arm	1 pc.
13	9820351	Sound insulation tape	1 pc.
14	9820484	Seal for flush pipe connection	1 pc.
15	9820585	O-ring for shower arm spring retainer	1 pc.
16	9820586	O-ring for safety device EN 1717	1 pc.
17	9820703	Snap-on wheel	1 pc.
18	9820581	Fitting left and damper for seat/lid "classic" (from 2021)	1 pc.
19	9820582	Fitting right and damper for seat/lid "classic" (from 2021)	1 pc.
20	9820695	Fitting left and damper for seat/lid "classic" (from 03/2023)	1 pc.
21	9820696	Fitting right and damper for seat/lid "classic" (from 03/2023)	1 pc.
22	9820423	Bearing pad for seat "classic", 4 pieces (until 2021)	1 pc.
23	9820465	Bearing pad for lid "classic", 2 pieces (until 2021)	1 pc.
24	9820583	Bearing pad for seat/lid "classic" complete (from 2021)	1 pc.

Shower toilets – Spare parts

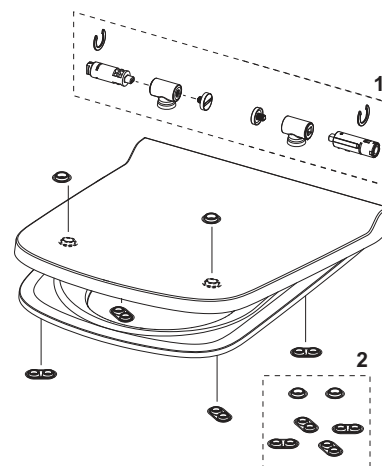
9700201 – TECEone shower toilet, cold water



Pos.	Item No.	Designation	DU 1
1	9820356	Concealed mounting	1 pc.
2	9820357	Knurled nut (2 x) for concealed mounting	1 pc.
3	9820362	Control knob water volume, plastic white	1 pc.
4	9820469	Ceramic cartridge including EN 1717 safeguard	1 pc.
5	9820471	Reinforced hoses (from 2021)	1 pc.
6	9820364	Rosette, white	1 pc.
7	9820403	Shower nozzle cap (3 x) "standard" 75°, white	1 pc.
8	9820404	Shower nozzle cap (3 x) "standard" 90°, white	1 pc.
9	9820405	Shower nozzle cap (3 x) "medium" 90°, white	1 pc.
10	9820406	Shower nozzle cap (3 x) "small" 90°, white	1 pc.
11	9820363	Shower arm complete set, white	1 pc.
12	9820422	Removal tool shower arm	1 pc.
13	9820351	Sound insulation tape	1 pc.
14	9820484	Seal for flush pipe connection	1 pc.
15	9820585	O-ring for shower arm spring retainer	1 pc.
16	9820586	O-ring for safety device EN 1717	1 pc.
17	9820703	Snap-on wheel	1 pc.

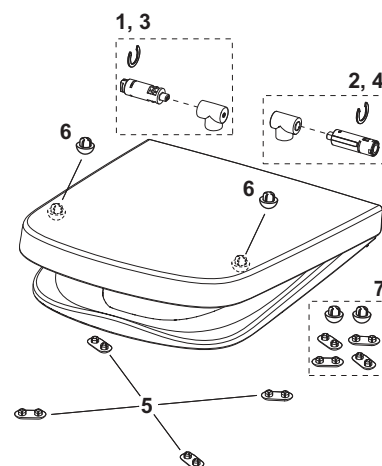
9700603 – TECEno/one (shower) toilet seat with lid "slim"

Pos.	Item No.	Designation	DU 1
1	9820672	Fitting and damper for seat/lid "slim"	1 pc.
2	9820673	Buffer set for seat/lid "slim"	1 pc.



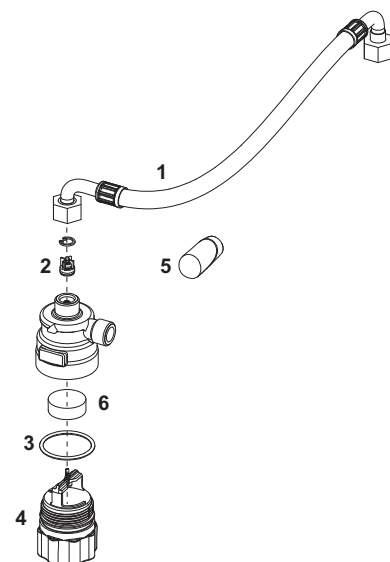
9700600 – TECEneo/one (shower) toilet seat with lid "classic"

Pos.	Item No.	Designation	DU 1
1	9820581	Fitting left and damper for seat/lid "classic" (from 2021)	1 pc.
2	9820582	Fitting right and damper for seat/lid "classic" (from 2021)	1 pc.
3	9820695	Fitting left and damper for seat/lid "classic" (from 03/2023)	1 pc.
4	9820696	Fitting right and damper for seat/lid "classic" (from 03/2023)	1 pc.
5	9820423	Bearing pad for seat "classic", 4 pieces (until 2021)	1 pc.
6	9820465	Bearing pad for lid "classic", 2 pieces (until 2021)	1 pc.
7	9820583	Bearing pad for seat/lid "classic" complete (from 2021)	1 pc.



9700625 – TECEneo descaling unit

Pos.	Item No.	Designation	DU 1
1	9820658	Reinforced connection hose	1 pc.
2	9820660	Return flow inhibitor	1 pc.
3	9820659	O-ring plug	1 pc.
4	9820657	Decalcification rotary plug	1 pc.
5	9820677	Shower arm cap Decalcification/installation	1 pc.
6	9820591	Descaling tablets (4 pieces)	1 set



TECE shower arm complete set

Shower arm including removal tool, shower arm head ("standard" 75°) and rosette.

Colour	Item No.	DU 1
White	9820363	1 pc.



Toilets – TECEneo

TECEneo set, without shower function

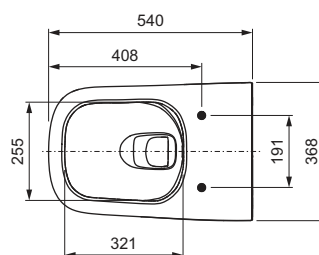
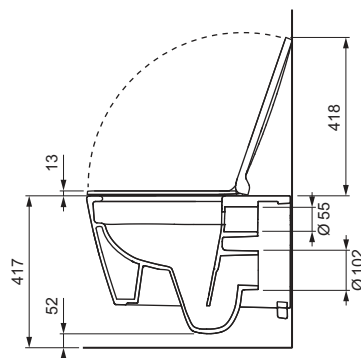
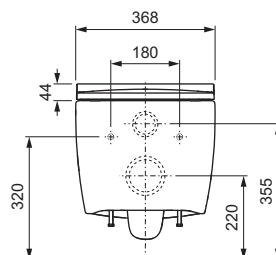
Set consisting of:

- TECEneo toilet ceramics without shower function (9700209)
- TECEneo/one (shower) toilet seat with lid "slim" (9700603)
- Connection material including concealed attachment, sound insulation tape etc.

Please order separately:

TECE toilet connection set DN 90, 300 mm, Item No. 9820214 (optional)

Item No.	DU 1	DU 2	DU 3
9700215	1 pc.	4 pc.	8 pc.



TECEneo toilet ceramic without shower function

Water-saving and rimless toilet ceramic for in-wall cisterns. Customised combination options with seat and lid.

Toilet ceramic features:

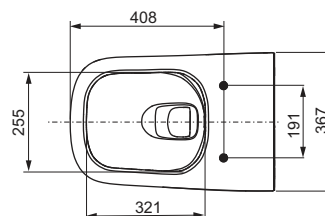
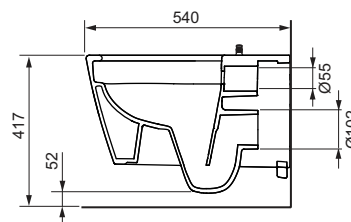
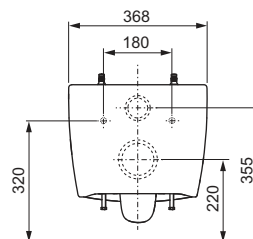
- Wall-hung toilet, flush-down type, for 6 and 4.5 litre flush volumes
- cyclon flush technology (thorough and quiet flushing)
- cera clean technology (surface for easy cleaning)
- Compact design - projection 540 mm
- Concealed wall attachment
- Rimless ceramic with integrated splash guard
- pre fix technology: factory-moulded toilet seat attachment for a wobble-free seat and lid (compatible with all TECEneo/one (shower) toilet seats)
- Material: sanitary ceramics, colour white
- Hygiene-optimised ceramic design
- Approval according to EN 997
- Dimensions (W x H x D): 368 x 365 x 540 mm

Scope of supply:

- Toilet ceramic including concealed toilet mounting
- Sound insulation

Please order separately:

- TECEneo/one (shower) toilet seat with lid "classic" (Item No. 9700600)
- TECEneo/one (shower) toilet seat with lid "slim" (Item No. 9700603)
- TECE toilet connection set DN 90, 300 mm, Item No. 9820214 (optional)



Item No.	DU 1	DU 2
9700209	1 pc.	6 pc.

Toilets – TECEloft

TECEloft set, toilet ceramic with cyclon flush, including seat/lid

NEW

Set consists of:

- TECEloft toilet ceramic with cyclon flush
- TECEloft toilet seat/lid in classic high design
- Concealed attachment
- Assembly instructions

Toilet ceramic features:

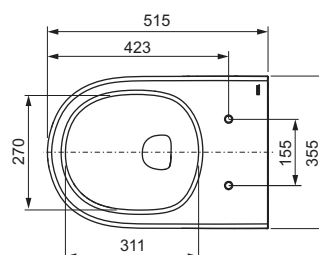
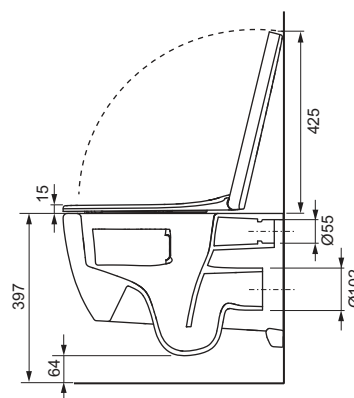
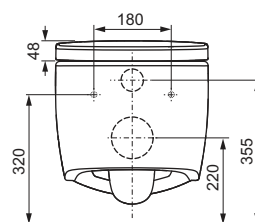
- Wall-mounted washdown toilet
- Flush water requirement: suitable for flush water volumes of 4 and 2 litres
- Rimless, therefore no hidden areas for deposits and dirt
- Cyclon flush technology (thorough and quiet flushing thanks to ring-shaped water flow inside the ceramic)
- Compact design – projection 515 mm
- Concealed wall attachment and concealed water connection
- Material: Sanitary ceramic, colour white
- Approved according to EN 997 type 1, subtypes 6, 5 and 4
- Dimensions (W x H x D): 355 x 313 x 515 mm

Toilet seat features:

- Lid encloses seat
- Quick installation thanks to simple clip-on design
- Easy to clean, complete seat and lid unit removable
- Stainless steel hinges with soft-close mechanism
- Made of torsion-resistant thermoset plastic, colour: white
- Approved in accordance with DIN 19516



Item No.		DU 1	DU 2
9700224	NEW	1 pc.	12 pc.



TECEneo/one (shower) toilet seat with lid "slim"

Toilet seat with lid in a particularly slim design, suitable for TECE (shower) toilets with pre fix technology.

Toilet seat features:

- Particularly slim design, lid encloses seat
- pre fix technology for a wobble-free seat and lid
- Quick installation thanks to pre fix technology: attach and tighten screw if required.
- Hinges made of glass fibre-reinforced high-performance plastic with "soft-close" lowering system
- Easy to remove: Screw can be loosened without tools
- Easy to clean, complete seat and lid unit can be removed
- Toilet seat with ergonomic design for comfortable seating posture
- Prevents 'splashing', e.g. with small children, thanks to the extension of the seat at the front inside.
- Made of torsion-resistant Duroplast, colour white
- Approval according to DIN 19516



Item No.	DU 1	DU 2
9700603	1 pc.	5 pc.

TECEneo/one (shower) toilet seat with lid "classic"

Toilet seat with lid, suitable for TECE (shower) toilets with pre fix technology.

Toilet seat features:

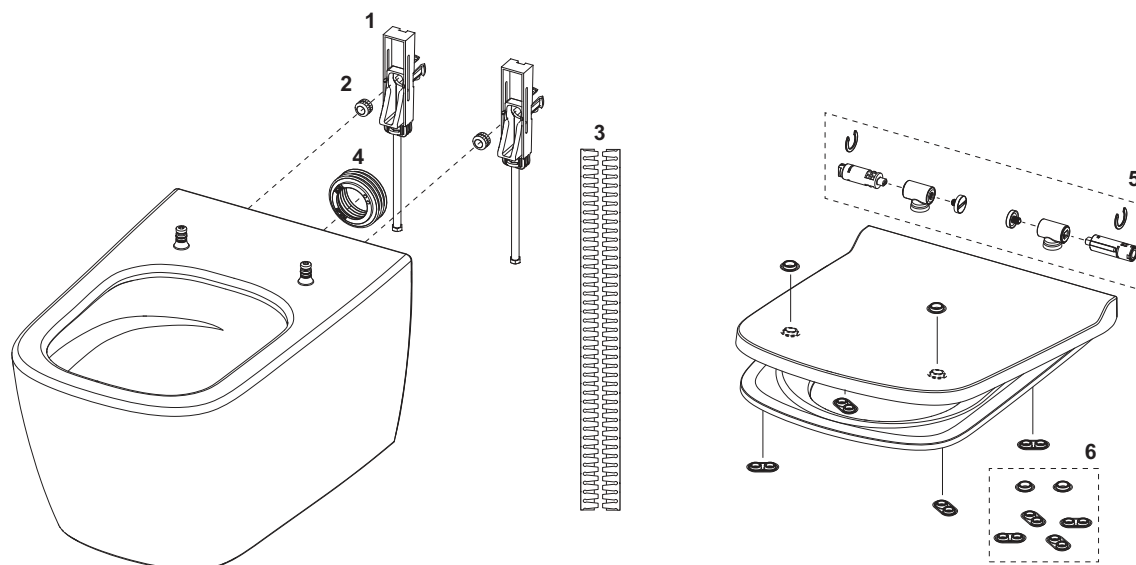
- Lid encloses seat
- pre fix technology for a wobble-free seat and lid
- Quick installation thanks to pre fix technology: attach and tighten screw if required.
- Hinges made of glass fibre-reinforced high-performance plastic with "soft-close" lowering system
- Easy to remove: Screw can be loosened without tools
- Easy to clean, complete seat and lid unit can be removed
- Toilet seat with ergonomic design for comfortable seating posture
- Prevents 'splashing', e.g. with small children, thanks to the extension of the seat at the inside front.
- Made of torsion-resistant Duroplast, colour white
- Approval according to DIN 19516



Item No.	DU 1	DU 2
9700600	1 pc.	5 pc.

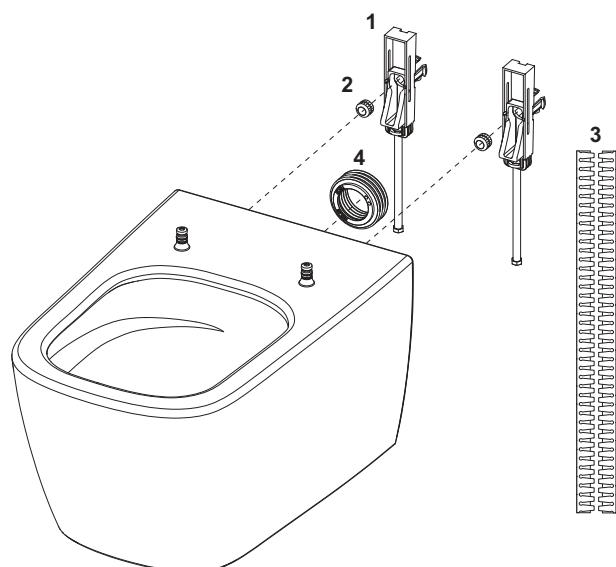
Toilets – Spare parts

9700215 – TECNeo set, without shower function



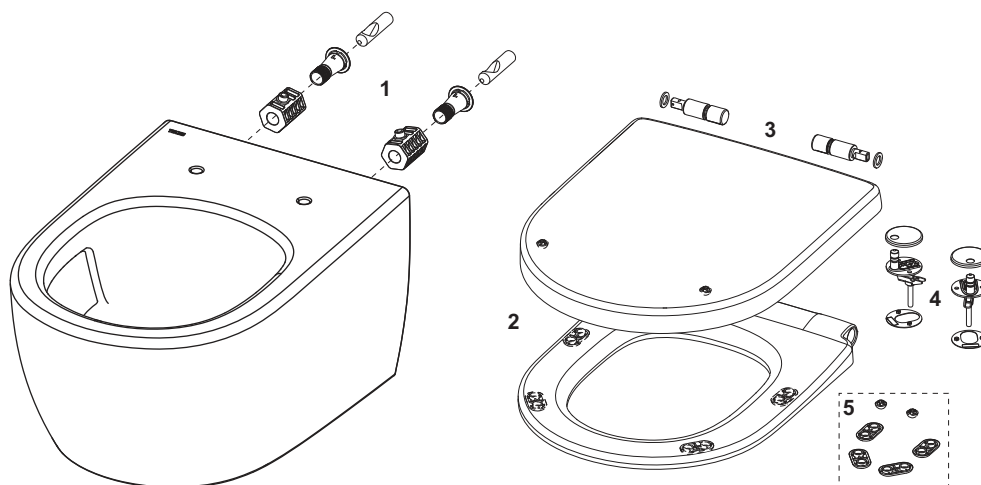
Pos.	Item No.	Designation	DU 1
1	9820356	Concealed mounting	1 pc.
2	9820357	Knurled nut (2 x) for concealed mounting	1 pc.
3	9820351	Sound insulation tape	1 pc.
4	9820484	Seal for flush pipe connection	1 pc.
5	9820672	Fitting and damper for seat/lid "slim"	1 pc.
6	9820673	Buffer set for seat/lid "slim"	1 pc.

9700209 – TECNeo toilet ceramic without shower function



Pos.	Item No.	Designation	DU 1
1	9820356	Concealed mounting	1 pc.
2	9820357	Knurled nut (2 x) for concealed mounting	1 pc.
3	9820351	Sound insulation tape	1 pc.
4	9820484	Seal for flush pipe connection	1 pc.

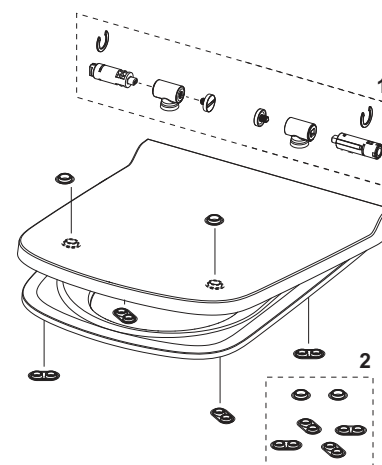
9700224 – TECeloft set, toilet ceramic with cyclon flush, including seat/lid



Pos.	Item No.	Designation	NEW	DU 1
1	9820706	TECEloft concealed mounting	NEW	1 pc.
2	9700611	TECEloft seat/lid "classic"	NEW	1 pc.
3	9820718	TECEloft damper set seat/lid "classic"	NEW	1 pc.
4	9820713	TECEloft hinge set seat/lid "classic"	NEW	1 pc.
5	9820714	TECEloft buffer set seat/lid "classic"	NEW	1 pc.

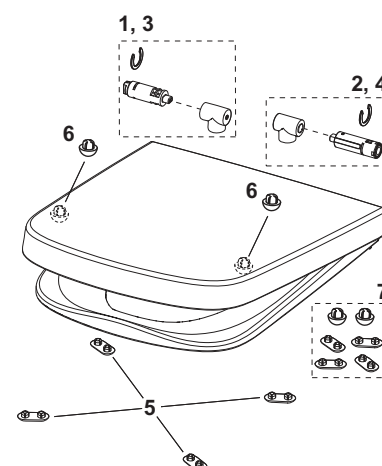
9700603 – TECeneo/one (shower) toilet seat with lid "slim"

Pos.	Item No.	Designation	DU 1
1	9820672	Fitting and damper for seat/lid "slim"	1 pc.
2	9820673	Buffer set for seat/lid "slim"	1 pc.



9700600 – TECeneo/one (shower) toilet seat with lid "classic"

Pos.	Item No.	Designation	DU 1
1	9820581	Fitting left and damper for seat/lid "classic" (from 2021)	1 pc.
2	9820582	Fitting right and damper for seat/lid "classic" (from 2021)	1 pc.
3	9820695	Fitting left and damper for seat/lid "classic" (from 03/2023)	1 pc.
4	9820696	Fitting right and damper for seat/lid "classic" (from 03/2023)	1 pc.
5	9820423	Bearing pad for seat "classic", 4 pieces (until 2021)	1 pc.
6	9820465	Bearing pad for lid "classic", 2 pieces (until 2021)	1 pc.
7	9820583	Bearing pad for seat/lid "classic" complete (from 2021)	1 pc.





Sanitary Systems

TECElux TOILET TERMINAL

TECElux





	Page
Product range overview	40
Toilet modules	42
Glass facings	45
Accessories	48
Spare parts	50

An overview of valid Declaration of Performance (DoP) is available on our website www.tece.com.

TECElux – Product range overview

How to order correctly:

A TECElux terminal always consists of:

- (A) a TECElux module,
- (B) an upper glass facing and
- (C) a lower glass facing with notches for different power and water connections.

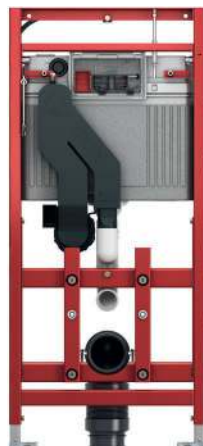
A TECElux module



TECElux 100
Item No. 9600100



TECElux 200
Item No. 9600200

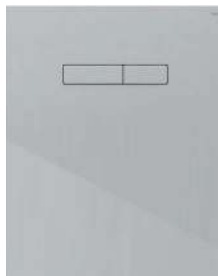


TECElux 400
Item No. 9600400

B Upper glass facing



"sen-Touch" (w)
Item No. 9650002
"sen-Touch" (b)
Item No. 9650003

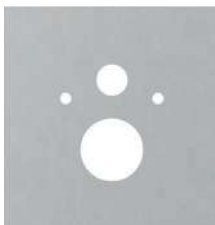


Polished white buttons (w)
Item No. 9650000
Polished black buttons (b)
Item No. 9650005

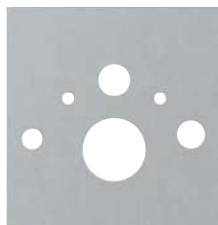


Bright chrome buttons (w)
Item No. 9650001
Bright chrome buttons (b)
Item No. 9650004

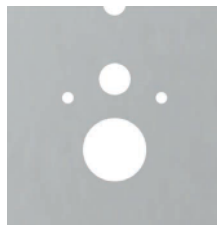
C Lower glass facing



Standard toilet (w)
Item No. 9650100
Standard toilet (b)
Item No. 9650105
TECEone, TECEno (w)
Item No. 9650109
TECEone, TECEno (b)
Item No. 9650110



Shower toilet (w)
Item No. 9650101
Item No. 9650103
Item No. 9650104
Shower toilet (b)
Item No. 9650106
Item No. 9650107
Item No. 9650108










Shower toilet seat (w)
Item No. 9650102



TECElux toilet terminal (w/b)

(w) = polished white glass, (b) = polished black glass

C Overview of lower facing and accessories for toilets, shower toilets seats and shower toilets

							
	9650100 (w) 9650105 (b)	9660001	9650101 (w) 9650106 (b)	9650102 (w)	9650103 (w) 9650107 (b)	9650104 (w) 9650108 (b)	9650109 (w) 9650110 (b)
Standard ceramics (connection dimension 180 mm)	X						
TOTO Neorest AC 2.0 * TOTO Neorest EW 2.0 *		X	X				
TOTO Washlet CF TOTO Washlet EK 2.0 (with side connections: TCF6632G#NW1) TOTO Washlet GL 2.0 (with side connections: TCF6532G#NW1) TOTO Washlet Giovannoni		X		X			
TOTO Washlet SG 2.0 TOTO Washlet EK 2.0 (with hidden connections: TCF6632C3GV1) TOTO Washlet GL 2.0 (with hidden connections: TCF6532C3GV1) TOTO Washlet RX **		X				X	
Duravit D-Code		X		X			
Duravit SensoWash Starck Duravit SensoWash Slim					X		
Villeroy & Boch ViClean U		X		X			
Villeroy & Boch ViClean U+		X				X	
Villeroy & Boch ViClean L					X		
Geberit AquaClean 8000 Geberit AquaClean 8000 plus			X				
Geberit AquaClean 5000 Geberit AquaClean 5000 plus				X			
Geberit AquaClean Sela					X		
Geberit AquaClean Mera Geberit AquaClean Tuma						X	
Vitra V-Care						X	
Grohe Sensia Grohe Sensia Arena						X	
TECEone, TECEno							X

* TECElux 400 not required, because odour extraction is already included with TOTO Neorest. If "sen-Touch" upper facing is used, remote actuation of TOTO Neorest does not function. If manual actuation is used, order control cable (Item No. 9820259).

** Not compatible with upper glass facing "sen-Touch"

(w) = polished white glass, (b) = polished black glass

TECElux – Toilet modules

TECElux toilet module 100, installation height 1120 mm

Dry-wall construction element for fitting to TECEprofil section tubes or for installation in metal or wooden stud walls and as a pre-wall or corner module.

For TECElux glass facing with actuation unit.

TECE flush-mounted cistern:

- Safety tank made of impact-resistant plastic, tested according to EN 14055
- Cistern fully pre-assembled and sealed
- Corner valve and cistern connection pre-assembled
- Cistern connection with external thread R 1/2" on the side, compatible with quick adapters
- 10 litre tank volume; 6 litre pre-set standard flush volume, 4.5/7.5/9 litre flush volume can be set at any time; 3 litre partial flush volume for dual-flush system; optional setting of a 4/2 litre flush volume possible; remaining volume can be used for immediate cleaning flush.
- Insulated against condensation water
- Low-noise hydraulic filling valve, acoustic group 1 according to DIN 4109
- Including insert chute for cleaning tablets. Enables the insertion of cleaning tablets into the cistern, for fresh toilet flushing.
- Flow control throttle without removing the drain valve

Module frame:

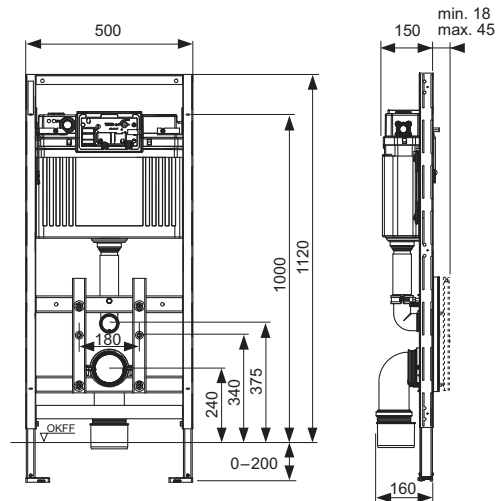
- Self-supporting, powder-coated
- Depth-adjustable retainer for upper glass facing with actuation unit and lower glass facing with toilet unit
- Two adjustable foot supports for floor projections of 0-200 mm
- Two M 12 retaining bolts and nuts
- Retainer for toilet ceramics with spacing of 180 mm
- Toilet drain bend DN 90 with transition piece DN 90/100, material PP
- Transition piece also suitable for horizontal installation
- DN 90 toilet connection set, including protective plug
- Large bare-wall protection
- Suitable for wall structures up to 45 mm

Please order separately:

- Upper glass facing with actuation unit
- Lower glass facing with toilet attachment
- Fitting for individual pre-wall, corner or wooden stud structures

Optional accessories:

TECElux "ceramic-Air" odour extraction upgrade set (9660000), only in conjunction with the sen-Touch upper glass facing with actuation unit.



Item No.	DU 1	DU 2	DU 3
9600100	1 pc.	6 pc.	12 pc.

TECElux toilet module 200, with subsequent height adjustment, installation height 1120 mm

Dry-wall construction element for fitting to TECEprofil section tubes or for installation in metal or wooden stud walls and as a pre-wall or corner module.

For TECElux glass facing with actuation unit and glass facing, subsequent 8 cm manual height adjustment option.

TECE flush-mounted cistern:

- Safety tank made of impact-resistant plastic, tested according to EN 14055
- Cistern fully pre-assembled and sealed
- Corner valve and cistern connection pre-assembled
- Cistern connection with 1/2" external thread
- 10 litre tank volume; 6 litre pre-set standard flush volume, 4.5/7.5/9 litre flush volume can be set at any time; 3 litre partial flush volume for dual-flush system; optional setting of a 4/2 litre flush volume possible; remaining volume can be used for immediate cleaning flush.
- Insulated against condensation water
- Low-noise hydraulic filling valve, acoustic group 1 according to DIN 4109
- Including insert chute for cleaning tablets. Enables the insertion of cleaning tablets into the cistern, for fresh toilet flushing.
- Flow control throttle without removing the drain valve

Module frame:

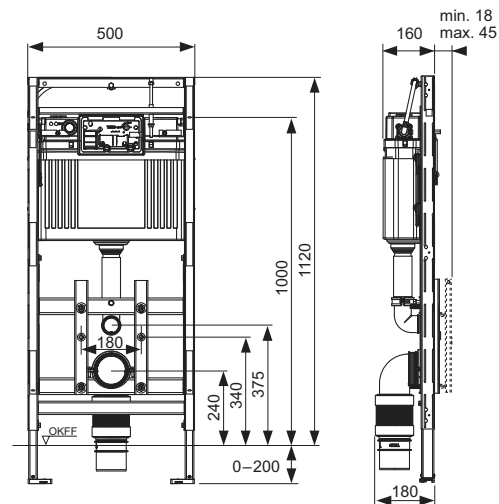
- Self-supporting, powder-coated
- Depth-adjustable retainer for upper glass facing with actuation unit and lower glass attachment facing with toilet unit, height can also be subsequently manually adjusted
- Two adjustable foot supports for floor projections of 0-200 mm
- Two M 12 retaining bolts and nuts
- Retainer for toilet ceramics with spacing of 180 mm
- Flexible toilet drain bend DN 90, connection piece material PE-HD (weldable), including transition piece DN 90/100 made of PP
- DN 90 toilet connection set, including protective plug
- Large bare-wall protection
- Suitable for wall structures up to 45 mm

Please order separately:

- Upper glass facing with actuation unit
- Lower glass facing with toilet attachment
- Fitting for individual pre-wall, corner or wooden stud structures

Optional accessories:

TECElux "ceramic-Air" odour extraction upgrade set (9660000), only in conjunction with the sen-Touch upper glass facing with actuation unit.



Item No.	DU 1	DU 2	DU 3
9600200	1 pc.	6 pc.	12 pc.

TECElux – Toilet modules

TECElux toilet module 400, subsequent height adjustment, with odour extraction, installation height 1120 mm

Dry-wall construction element for fitting to TECEprofil section tubes or for installation in metal or wooden stud walls and as a pre-wall or corner module.

For TECElux glass facing with actuation unit sen-Touch and glass facing, subsequent 8 cm manual height adjustment option, incl. "ceramic-Air" odour extraction.

TECE flush-mounted cistern:

- Safety tank made of impact-resistant plastic, tested according to EN 14055
- Cistern fully pre-assembled and sealed
- Corner valve and cistern connection pre-assembled
- Cistern connection with 1/2" external thread
- 10 litre tank volume; 6 litre pre-set standard flush volume, 4.5/7.5/9 litre flush volume can be set at any time; 3 litre partial flush volume for dual-flush system; optional setting of a 4/2 litre flush volume possible; remaining volume can be used for immediate cleaning flush.
- Insulated against condensation water
- Low-noise hydraulic filling valve, acoustic group 1 according to DIN 4109
- Including insert chute for cleaning tablets. Enables the insertion of cleaning tablets into the cistern, for fresh toilet flushing.
- Flow control throttle without removing the drain valve

Module frame:

- Self-supporting, powder-coated
- Depth-adjustable retainer for upper glass facing with actuation unit and lower glass attachment facing with toilet unit, height can also be subsequently manually adjusted
- Two adjustable foot supports for floor projections of 0-200 mm
- Two M 12 retaining bolts and nuts
- Retainer for toilet ceramics with spacing of 180 mm
- Flexible toilet drain bend DN 90, connection piece material PE-HD (weldable), including transition piece DN 90/100 made of PP
- DN 90 toilet connection set, including protective plug
- Large bare-wall protection
- Suitable for wall structures up to 45 mm

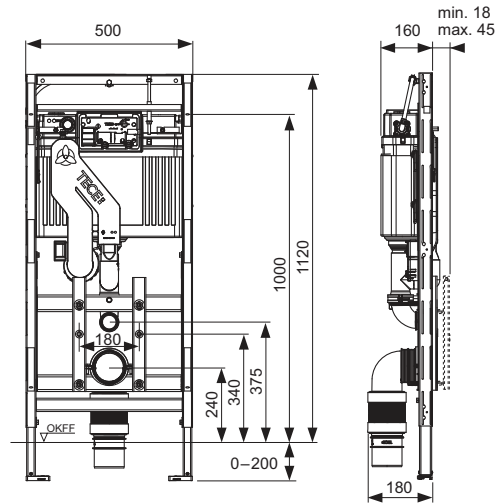
Low-noise "ceramic-Air" odour extraction with long-term filter cartridge.

Please order separately:

- sen-Touch upper glass facing with actuation unit
- lower glass facing
- Fitting for individual pre-wall, corner or wooden stud structures

Note:

It is possible to install the "ceramic-Air" odour extraction system in all well-known toilet ceramics. However, in some ceramics which have a higher seat position or higher flushing rim, the flushing water remains standing in the flush pipe, resulting in the bowl becoming partially or completely full. The current "Technical information" offers an overview of the affected ceramics in which it is not possible to fit the odour extraction option.



Item No.	DU 1	DU 2	DU 3
9600400	1 pc.	6 pc.	12 pc.

TECElux glass facing with manual actuation unit

Upper glass facing with actuation unit for TECElux module with two-spring mounted flush buttons. Incl. actuation rods and mounting material.

Installation only in conjunction with lower glass facing.

Dimensions (H x W x D): 555 x 430 x 16 mm



Colour	Exhibition samples	Item No.	DU 1	DU 2
Polished white glass, polished white buttons	Yes	9650000	1 pc.	20 pc.
Polished white glass, bright chrome buttons	Yes	9650001	1 pc.	20 pc.
Polished black glass, polished black buttons	—	9650005	1 pc.	20 pc.
Polished black glass, bright chrome buttons	Yes	9650004	1 pc.	20 pc.

Information on exhibits is available in the section "Exhibition samples".

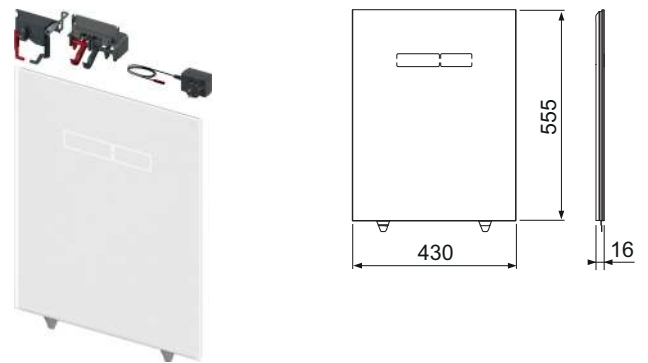
TECElux glass facing with electronic sen-Touch actuation

Upper glass facing with actuation unit for TECElux module with electronic sen-Touch actuation in combination with mounting material.

Incl. plug-in power pack (connection voltage 230 V) with dual-flush actuation motor.

Installation only in conjunction with the lower glass facing with toilet attachment.

Dimensions (H x W x D): 555 x 430 x 16 mm



Function of the sen-Touch electronics:

The sensor detects when a person is approaching the toilet, and only illuminates the flush buttons then. The flush is actuated by a slight touch or without contact. It is possible to programme the sen-Touch electronics to suit your personal preferences.

Programmable functions:

- Sensor recognition range
- Illumination brightness
- Hygiene flush
- Subsequent odour extraction
- Intensity of odour extraction
- Cleaning function

Note:

Not compatible with the TOTO Washlet RX and SX.

Colour	Exhibition samples	Item No.	DU 1	DU 2
Polished white glass	Yes	9650002	1 pc.	10 pc.
Polished black glass	Yes	9650003	1 pc.	10 pc.

Information on exhibits is available in the section "Exhibition samples".

TECElux – Glass facings

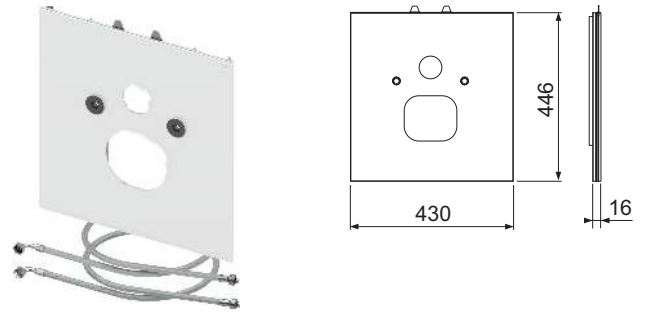
TECElux glass facing for TECE shower toilets

Lower glass plate for combination with with a TECE shower toilet, including sound insulation kit and reinforced hoses for hot an cold water connection to conventional angle valves.

Dimensions (H x W x D): 446 x 430 x 16 mm

Note:

For combination with corner valves prepared on site.

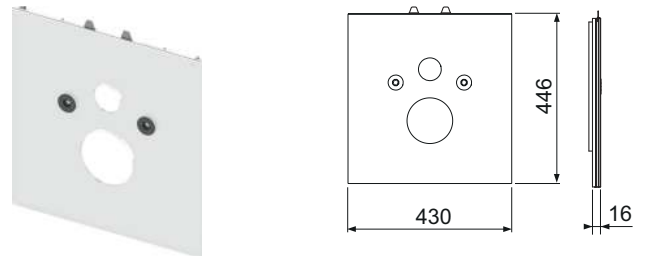


Colour	Exhibition samples	Item No.	DU 1	DU 2
Polished white glass	—	9650109	1 pc.	20 pc.
Polished black glass	—	9650110	1 pc.	20 pc.

TECElux glass facing for standard toilet

Lower glass facing for combination with toilet ceramics 180 mm spacing, incl. sound insulation set.

Dimensions (H x W x D): 446 x 430 x 16 mm



Colour	Exhibition samples	Item No.	DU 1	DU 2
Polished white glass	Yes	9650100	1 pc.	20 pc.
Polished black glass	Yes	9650105	1 pc.	20 pc.

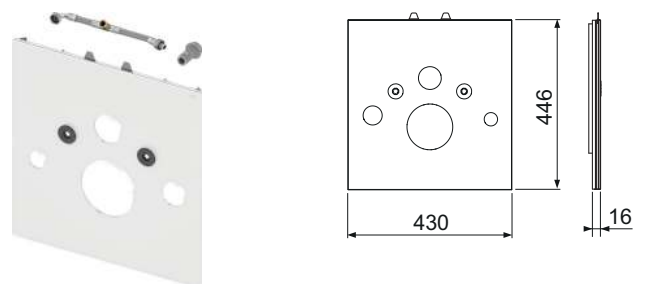
Information on exhibits is available in the section "Exhibition samples".

TECElux glass facing for shower toilet (Toto, Geberit)

Lower glass facing for combination with shower toilet TOTO Neorest AC and EW or Geberit AquaClean 8000/8000plus, including sound insulation set, reinforced exchange hose for the cistern and plastic 3/8" adapter for filling valve F 10.

For assembly of a TOTO shower toilet, please use the shower toilet connection set (9660001).

Dimensions (H x W x D): 446 x 430 x 16 mm

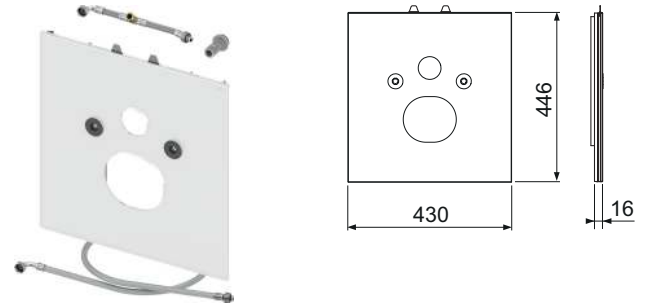


Colour	Exhibition samples	Item No.	DU 1	DU 2
Polished white glass	—	9650101	1 pc.	20 pc.
Polished black glass	—	9650106	1 pc.	20 pc.

TECElux glass facing for shower toilet (Duravit etc.)

Lower glass facing for combination with shower toilet Duravit SensoWash C as well as Slim or V & B ViClean L, Geberit AquaClean Sela, including sound insulation set, long reinforced exchange hose for cistern and 3/8" plastic adapter for filling valve F 10.

Dimensions (W x H x D): 446 x 430 x 16 mm

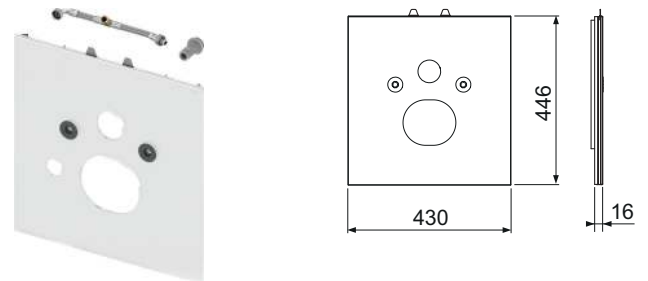


Colour	Exhibition samples	Item No.	DU 1	DU 2
Polished white glass	—	9650103	1 pc.	20 pc.
Polished black glass	—	9650107	1 pc.	20 pc.

TECElux glass facing for shower toilet (AquaClean Mera etc.)

Lower glass facing for combination with Geberit AquaClean shower toilet Mera and Tuma, Toto Washlet SG, Toto Washlet EK or GL with concealed connections, Grohe Sensia, V & B ViClean U+ or Laufen Riva incl. sound insulation kit and replacement reinforced hose for cistern and 3/8" plastic adapter for filling valve F 10.

Dimensions (H x W x D): 446 x 430 x 16 mm



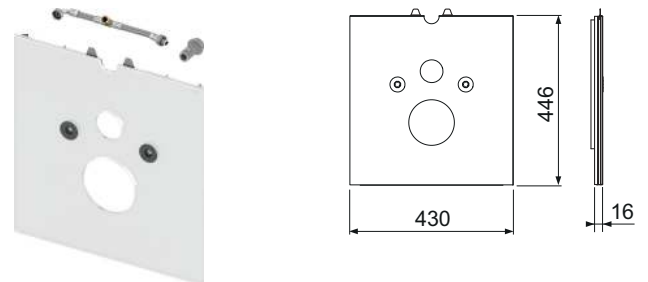
Colour	Exhibition samples	Item No.	DU 1	DU 2
Polished white glass	—	9650104	1 pc.	20 pc.
Polished black glass	—	9650108	1 pc.	20 pc.

TECElux glass facing for shower toilet seat

Lower toilet glass facing for combination with shower toilet attachment TOTO Washlet GL and EK, Giovannoni Washlet, V & B ViClean U or Geberit AquaClean 5000 and 5000plus including noise insulation set, reinforced exchange hose for the cistern and 3/8" plastic adapter for filling valve F 10.

For assembly of a TOTO or V & B shower toilet seat, please use the shower toilet connection set (9660001).

Dimensions (H x W x D): 446 x 430 x 16 mm



Colour	Exhibition samples	Item No.	DU 1	DU 2
Polished white glass	Yes	9650102	1 pc.	20 pc.

Information on exhibits is available in the section "Exhibition samples".

TECElux "ceramic-Air" odour extraction upgrade set

Upgrade set for subsequent installation of "ceramic-Air" odour extraction for TECElux 100 or TECElux 200 toilet terminals.

Upgrade set consisting of:

- Odour extraction housing incl. fan and air outlet
- Filter cartridge
- Mounting material
- Flush pipe with connection for odour extraction
- Drain valve

Note:

It is possible to install "ceramic-Air" odour extraction in all well-known toilet ceramics. However, flushing water can remain in the flush pipe in some ceramics with a higher sitting position or rather a higher rim, and it is possible for the ceramic to fill partially or fully. The current "Technical information" offers an overview of the affected ceramics in which it is not possible to fit the odour extraction option.



Item No.	DU 1
9660000	1 pc.

TECElux connection set for shower toilet

Longer reinforced hose with connection for TOTO Neorest AC and EW, TOTO Washlet GL and EK, TOTO Washlet Giovannoni and V & B ViClean U.



Item No.	DU 1
9660001	1 pc.

TECElux connection set for electrical connection

To install a permanent electrical connection for the sen-Touch glass facing in protection area II.

Connection set consisting of:

- Empty socket, protection class IP 44
- Transformer 230/12 V
- sen-Touch connection cable



Item No.	DU 1
9660002	1 pc.

TECE drain valve A 2

Drain valve for combination with Uni and Base cisterns, including valve seat with flow control throttle, red and blue throttles and operating levers.



Item No.	DU 1
9820223	1 pc.

TECE valve seat with adjustable flush flow throttle

Valve seat with adjustable flush flow throttle for the drain valve A 2 in Uni and Base cisterns.

Item No.	DU 1
9820670	1 pc.



TECE filling valve F 10 universal

Universal filling valve for installation in all TECE cisterns as well as almost all standard flush-mounted and wall-mounted cisterns from other manufacturers.

Product details:

- 3/8" metal connection thread
- Flow pressure 0.5-10 bar
- Minimum flow pressure 0.5 bar
- Adjustable fill height
- Adjustable outflow pipe
- Low-noise in accordance with group I (DIN 4109)
- Compact design
- Incl. adapter and attachment nut
- Tested according to EN 14124



Item No.	DU 1	DU 2	DU 3
9820353	1 pc.	10 pc.	240 pc.

TECE throttle set for Uni and Base cisterns

Throttle set to adapt the Uni and Base cistern flushing pressure, installs in valve seat of drain valve, diameter 46-28 mm.

Item No.	DU 1	DU 2
9820337*	1 pc.	100 pc.



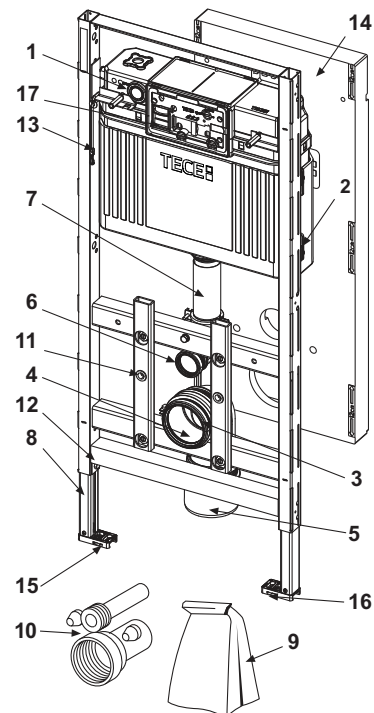
* Not in combination with Octa cistern, 8 cm

TECElux – Spare parts

TECElux

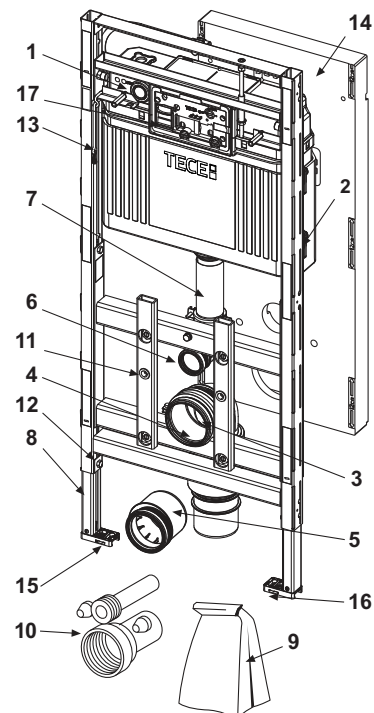
9600100 – TECElux toilet module 100, installation height 1120 mm

Pos.	Item No.	Designation	DU 1
1	9820575	Uni cistern for TECElux modules	1 pc.
2	9820040	Assembly kit for Uni cistern	1 pc.
3	9820134	Toilet drain bend DN 90 (PP)	1 pc.
4	9820139	Seal for drain bend DN 90	1 pc.
5	9820136	Toilet connector, DN 90/100, PP	1 pc.
6	9820015	Flush pipe seal	1 pc.
7	9820011	Flush pipe with O-ring, length 269 mm, dry-wall construction	1 pc.
8	9820335	C-section for module foot	1 pc.
9	9820043	By-pack for toilet module	1 pc.
10	9820057	Toilet connection set, DN 90	1 pc.
11	9820071	Clinch nut	1 pc.
12	9820447	Foot brake with steel spring	1 pc.
13	9820329	Securing cable	1 pc.
14	9820330	Bare-wall protection	1 pc.
15	9820332	Module foot with toggle left	1 pc.
16	9820333	Module foot with toggle right	1 pc.
17	9240951	Insert chute II for cleaning tablets	1 pc.



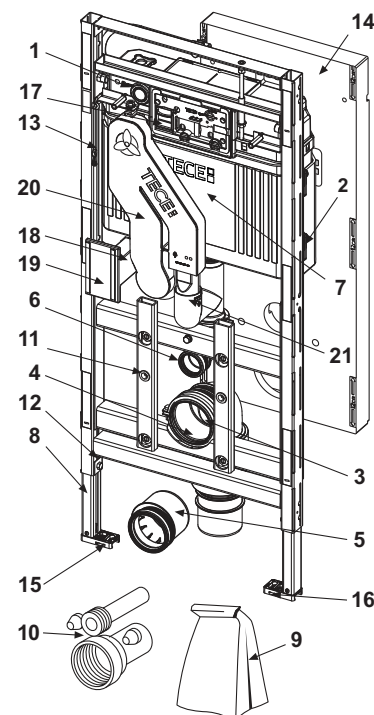
9600200 – TECElux toilet module 200, with subsequent height adjustment, installation height 1120 mm

Pos.	Item No.	Designation	DU 1
1	9820575	Uni cistern for TECElux modules	1 pc.
2	9820040	Assembly kit for Uni cistern	1 pc.
3	9820317	Toilet connection elbow DN 90, flexible, connection piece made of PE-HD	1 pc.
4	9820139	Seal for drain bend DN 90	1 pc.
5	9820136	Toilet connector, DN 90/100, PP	1 pc.
6	9820015	Flush pipe seal	1 pc.
7	9820011	Flush pipe with O-ring, length 269 mm, dry-wall construction	1 pc.
8	9820335	C-section for module foot	1 pc.
9	9820043	By-pack for toilet module	1 pc.
10	9820057	Toilet connection set, DN 90	1 pc.
11	9820071	Clinch nut	1 pc.
12	9820447	Foot brake with steel spring	1 pc.
13	9820329	Securing cable	1 pc.
14	9820330	Bare-wall protection	1 pc.
15	9820332	Module foot with toggle left	1 pc.
16	9820333	Module foot with toggle right	1 pc.
17	9240951	Insert chute II for cleaning tablets	1 pc.



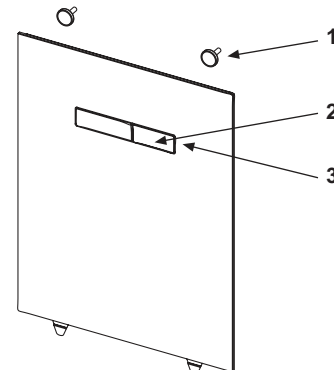
9600400 – TECElux toilet module 400, subsequent height adjustment, with odour extraction, installation height 1120 mm

Pos.	Item No.	Designation	DU 1
1	9820575	Uni cistern for TECElux modules	1 pc.
2	9820040	Assembly kit for Uni cistern	1 pc.
3	9820317	Toilet connection elbow DN 90, flexible, connection piece made of PE-HD	1 pc.
4	9820139	Seal for drain bend DN 90	1 pc.
5	9820136	Toilet connector, DN 90/100, PP	1 pc.
6	9820015	Flush pipe seal	1 pc.
7	9820302	TECElux drain valve	1 pc.
8	9820335	C-section for module foot	1 pc.
9	9820043	By-pack for toilet module	1 pc.
10	9820057	Toilet connection set, DN 90	1 pc.
11	9820071	Clinch nut	1 pc.
12	9820447	Foot brake with steel spring	1 pc.
13	9820329	Securing cable	1 pc.
14	9820330	Bare-wall protection	1 pc.
15	9820332	Module foot with toggle left	1 pc.
16	9820333	Module foot with toggle right	1 pc.
17	9240951	Insert chute II for cleaning tablets	1 pc.
18	9820301	Filter cartridge	1 pc.
19	9820300	Air outlet	1 pc.
20	9820311	"ceramic-Air" odour extraction	1 pc.
21	9820350	O-ring odour extraction	1 pc.



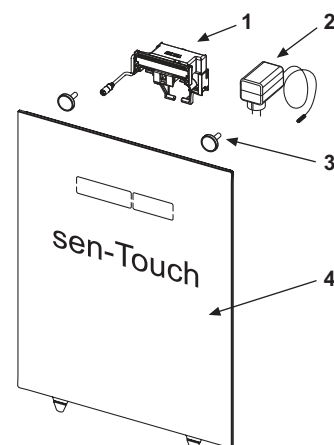
TECElux glass facing with manual actuation unit

Pos.	Item No.	Designation	DU 1
1	9820287	Adjusting magnets	1 pc.
2	9820288	Button set polished white	1 pc.
	9820289	Button set bright chrome	1 pc.
3	9820290	Button set accessories	1 pc.



TECElux glass facing with electronic sen-Touch actuation

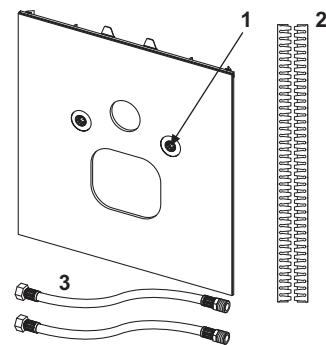
Pos.	Item No.	Designation	DU 1
1	9820493	Actuation motor for TECE cistern	1 pc.
2	9820286	Power supply plug	1 pc.
3	9820287	Adjusting magnets	1 pc.
4	9820285	Glass plate sen-Touch polished white	1 pc.



TECElux – Spare parts

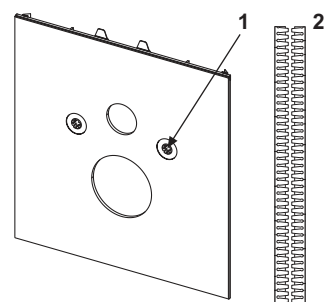
TECElux glass facing for TECE shower toilets

Pos.	Item No.	Designation	DU 1
1	9820291	Glass protection caps	1 pc.
2	9820351	Sound insulation tape	1 pc.
3	9820425	Reinforced hose for TECE shower toilets	1 pc.



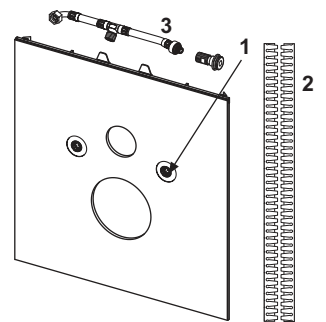
TECElux glass facing for standard toilet

Pos.	Item No.	Designation	DU 1
1	9820291	Glass protection caps	1 pc.
2	9820351	Sound insulation tape	1 pc.



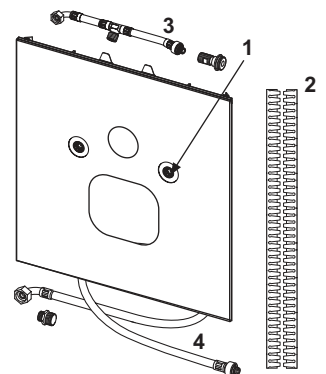
TECElux glass facing for shower toilet (Toto, Geberit) TECElux glass facing for shower toilet (AquaClean Mera etc.) TECElux glass facing for shower toilet seat

Pos.	Item No.	Designation	DU 1
1	9820291	Glass protection caps	1 pc.
2	9820351	Sound insulation tape	1 pc.
3	9880036	Water connection for shower toilet	1 pc.



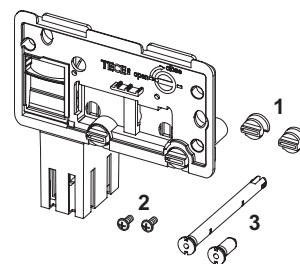
TECElux glass facing for shower toilet (Duravit etc.)

Pos.	Item No.	Designation	DU 1
1	9820291	Glass protection caps	1 pc.
2	9820351	Sound insulation tape	1 pc.
3	9880036	Water connection for shower toilet	1 pc.
4	9820425	Reinforced hose for TECE shower toilets	1 pc.



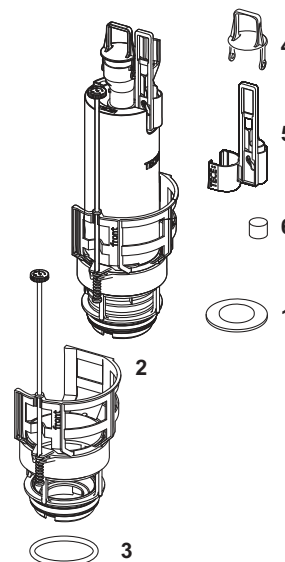
9240950 – TECE insert chute for cleaning tablets

Pos.	Item No.	Designation	DU 1
1	9820191	Clamping screws set	1 pc.
2	9820263	Fastening screws (2003-2020)	1 pc.
3	9820349	Guide rods for insert chute	1 pc.



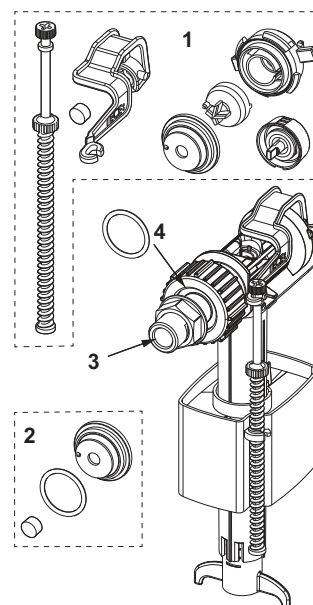
9820223 – TECE drain valve A 2

Pos.	Item No.	Designation	DU 1
1	9820233	Gasket (drain valve)	1 pc.
2	9820670	Valve seat with adjustable flush flow throttle	1 pc.
3	9820005	O-ring (valve seat)	1 pc.
4	9820222	Draw eyelet	1 pc.
5	9820229	Pull rod for electrical actuation	1 pc.
6	9820420	Additional weight small pull rod	1 pc.



9820353 – TECE filling valve F 10 universal

Pos.	Item No.	Designation	DU 1
1	9820382	Filling valve F 10 valve lever set	1 pc.
2	9820383	Filling valve F 10 sealing kit	1 pc.
3	9820398	Filling valve F 10 threaded connection 3/8"	1 pc.
4	9820587	Filling valve F 10 water connection O-ring M 30	1 pc.

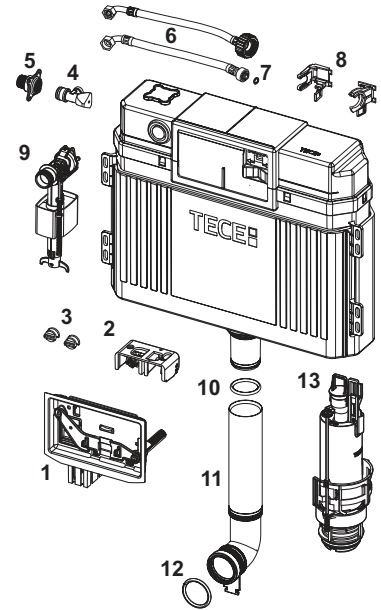


TECElux – Spare parts

TECElux

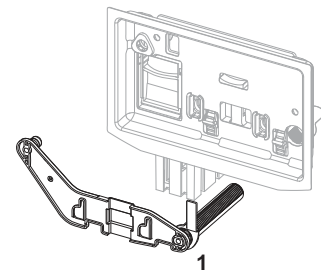
9820575 – TECE Uni cistern for TECElux modules

Pos.	Item No.	Designation	DU 1
1	9240951	Insert chute II for cleaning tablets	1 pc.
2	9820016	Actuation block	1 pc.
3	9820191	Clamping screws set	1 pc.
4	9820013	Corner valve	1 pc.
5	9820012	Cistern connection	1 pc.
6	9820026	Reinforced hose 3/8" (until 2019)	1 pc.
	9820374	Reinforced hose M 30 (from 2020)	1 pc.
7	9820025	O-ring	1 pc.
8	9820373	Filling valve holder for Uni cistern (27 mm, M 30, from 2020)	1 pc.
	9820372	Filling valve holder for Uni cistern (17 mm, 3/8", up to 2019)	1 pc.
9	9820353	Filling valve F 10 universal	1 pc.
10	9820014	O-ring	1 pc.
11	9820011	Flush pipe with O-ring, length 269 mm, dry-wall construction	1 pc.
12	9820015	Flush pipe seal	1 pc.
13	9820223	Drain valve A 2	1 pc.



9240951 – TECE insert chute II for cleaning tablets (TECElux Mini, TECESquare glass, TECEvelvet, TECEloop and TECEnow)

Pos.	Item No.	Designation	DU 1
1	9820688	Guide rods for insert chute II	1 pc.



TECE water connection for shower toilet

Replacement reinforced hose with integrated T-piece for Uni cisterns, including 3/8" plastic adapter for filling valve F 10.



Item No.	DU 1
9880036	1 pc.

Sanitary Systems

FLUSH PLATES

Flush plates





	Page
Toilet flush plate	59
Urinal flush plate	95

Sanitary Systems

TOILET FLUSH PLATES

Flush plates



TECES



	Page
TECElux Mini	62
TECESquare	64
TECEvelvet	67
TECEloop	69
TECESolid	73
TECESolid electronic flushing systems	75
TECEplanus electronic flushing systems	78
TECEnow	81
TECEbase	83
TECEflushpoint	84
Accessories	86
Spare parts	88

Toilet flush plate – TECElux Mini

TECElux Mini flush plate with electronic touchless actuation

Electronic flush plate with touch-free actuation for TECE cisterns with front actuation and actuation height of approx. 1 m (centre flush plate). Flat glass actuation including mounting materials and actuation motor for dual-flush. Suitable for flush-mounted installation. Compatible with insert chute for cleaning tablets.

Dimensions (W x H x D): 220 x 150 x 8 mm

Function of the electronics:

The sensor detects when a person is approaching the toilet, and only illuminates the flush buttons then. The flush actuation is touch-free or by touching the button area. By programming with the TECElux Mini programming remote control (Item No. 9240971), the electronics can be adjusted to individual requirements.

Programmable functions (with programming remote control):

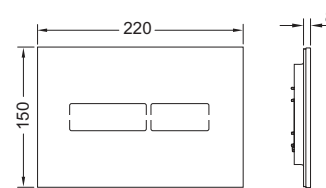
- Sensor recognition field
- Hygiene flush
- Actuation time
- Safety flush
- Display illumination brightness

Please order separately:

- TECE transformer for toilet electronics incl. connection cable (Item No. 9810012)
- Toilet installation frame for flush-mounted installation
- Programmable remote control (Item No. 9240971)

Note:

- TECElux Mini requires a power connection.
- Not compatible with toilet modules of installation heights 980, 820 and 750 mm.
- Not compatible with the TOTO Washlet RX and SX.



Colour	Exhibition samples	Item No.	DU 1
Polished white glass	Yes	9240960	1 pc.
Polished black glass	Yes	9240961	1 pc.

Information on exhibits is available in the section "Exhibition samples".

TECE transformer for toilet electronics including connection cable

Transformer for the electrical connection of the TECElux Mini as well as the TECEsolid toilet electronics (approx. 1 m central flush plate). One flush plate can be connected per transformer. For mounting in a flush-mounted socket with a diameter of 60 mm and depth of 63 mm. Electrical connection voltage 230 V (100-240 V, 50-60 Hz), output 12 V DC. Cable length 5 m.



Item No.	DU 1
9810012	1 pc.

TECElux Mini anti-theft device

Concealed screw connection for anti-theft protection of TECElux Mini.



Item No.	DU 1
9820354	1 pc.

TECElux Mini programming remote control

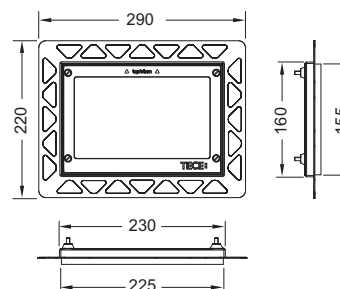
Remote control for programming the TECElux Mini electronics. Programmable functions: Recognition field, hygiene flush, actuation time, safety flush and display lighting brightness.



Item No.	DU 1	DU 2
9240971	1 pc.	30 pc.

TECE toilet installation frame for flush-mounted installation

Installation kit for flush-mounted installation of toilet flush plates TECEloop glass, TECEloop plastic, TECEvelvet, TECEsquare glass, TECEsquare II glass, TECElux Mini as well as TECEnow. Depth-adjustable tile frame for wall coverings from 5-18 mm (from 18-33 mm with adjustment bolt - Item No. 9820181). Including disassembly tool for flush plate.



Installation frame required during shell assembly!

Caution:

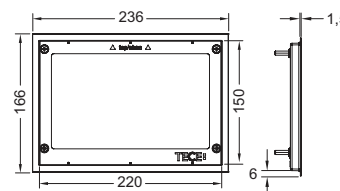
Suitable for dry-wall toilet modules; also for brick-wall constructions in combination with the TECEbox bare-wall protection system (Item No. 9030029). To obtain a clean edge, please use a water jet cutter to prepare the tile cut-out.

Colour	Exhibition samples	Item No.	DU 1	DU 2
White	Yes	9240646	1 pc.	20 pc.
Black	Yes	9240647	1 pc.	20 pc.
Bright chrome	Yes	9240649	1 pc.	20 pc.
Gold plated	—	9240648	1 pc.	20 pc.
Bright metal	—	9240644	1 pc.	20 pc.

Information on exhibits is available in the section "Exhibition samples".

TECE toilet cover frame for toilet installation frame

Metal Cover frame for combination with toilet installation frame. To cover uneven tile edges. Depth-adjustable Cover frame for wall coverings from 5-18 mm (from 18-33 mm with adjustment bolt - Item No. 9820181).

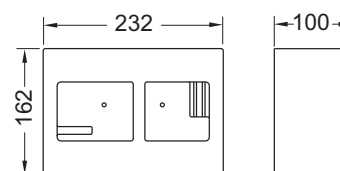


Colour	Item No.	DU 1	DU 2	DU 3
Bright	9240645	1 pc.	10 pc.	320 pc.
Brushed	9240643	1 pc.	10 pc.	320 pc.

TECEbox brick-wall protection system for flush-mounted installation

Larger bare-wall protection system for brick-wall construction to prepare the installation of the installation frame for toilet flush plates. Suitable for use with all TECEbox toilet modules.

Wall thickness at least 30 mm!



Item No.	DU 1
9030029	1 pc.

Toilet flush plate – TECESquare

TECESquare II metal toilet flush plate for dual-flush system, with coloured surface

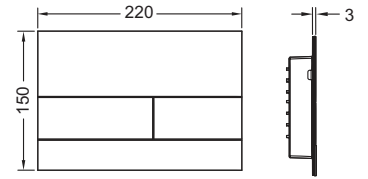
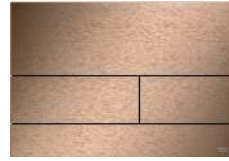
Flush plate for TECE cisterns, for front or top actuation. Extra-flat metal actuation with coloured coating and two spring-loaded actuation rockers. Incl. actuation rods, mounting material and disassembly tool. Compatible with insert chute for cleaning tablets.

The majority of surfaces are colour-coordinated with the TECEdrainway and TECEdrainprofile shower profiles.

Dimensions (W x H x D): 220 x 150 x 3 mm

Note:

Ensure minimum wall finish of 30 mm in brick-wall construction!



Colour	Exhibition samples	Item No.	DU 1	DU 2
Brushed black chrome (with anti-fingerprint)	Yes	9240846	1 pc.	10 pc.
Brushed gold optic (with anti-fingerprint)	—	9240847	1 pc.	10 pc.
Polished gold optic	Yes	9240839	1 pc.	10 pc.
Brushed red gold (with anti-fingerprint)	—	9240848	1 pc.	10 pc.
Brushed warm nickel (with anti-fingerprint)	—	9240843	1 pc.	10 pc.
Rusted steel	Yes	9240845	1 pc.	10 pc.
Brushed cool nickel (with anti-fingerprint)	Yes	9240850	NEW	10 pc.
Brushed brass (with anti-fingerprint)	Yes	9240851	NEW	10 pc.
Brushed bronze (with anti-fingerprint)	Yes	9240852	NEW	10 pc.
Brushed black (with anti-fingerprint)	Yes	9240853	NEW	10 pc.

Information on exhibits is available in the section "Exhibition samples".

TECESquare II metal toilet flush plate for dual-flush system

Flush plate for TECE cisterns, for front or top actuation. Extra-flat metal flush plate with two spring-mounted actuation rocker buttons. Incl. actuation rods, mounting material and disassembly tool. Compatible with insert chute for cleaning tablets.

Dimensions (W x H x D): 220 x 150 x 3 mm

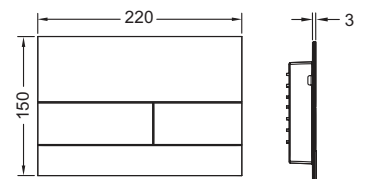
Note:

Ensure minimum wall finish of 30 mm in brick-wall construction!

Customised surfaces available on request (from 04/2026).



<https://qr.tece.de/perfect-match>



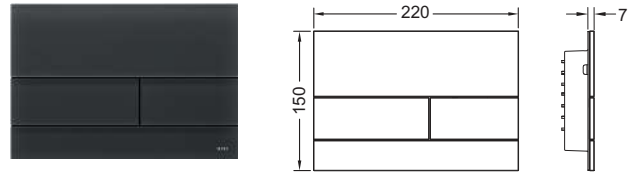
Colour	Exhibition samples	Item No.	DU 1	DU 2
Brushed stainless steel (with anti-fingerprint)	Yes	9240830	1 pc.	10 pc.
Bright chrome	Yes	9240831	1 pc.	10 pc.
Polished white	Yes	9240832	1 pc.	10 pc.
Matt white	Yes	9240834	1 pc.	10 pc.
Matt black	Yes	9240833	1 pc.	10 pc.

Information on exhibits is available in the section "Exhibition samples".

TECESquare II glass toilet flush plate for dual-flush system

Flush plate for TECE cisterns, for front or top actuation. Flat glass flush plate with two spring-mounted actuation rocker buttons. Incl. actuation rods, mounting material and disassembly tool. Suitable for flush-mounted installation in combination with toilet installation frame and spacing frame. Compatible with insert chute for cleaning tablets.

Dimensions (W x H x D): 220 x 150 x 7 mm



Toilet installation frame for flush-mounted installation not included in the scope of delivery, please order separately!

Note:

Ensure minimum wall finish of 30 mm in brick-wall construction!

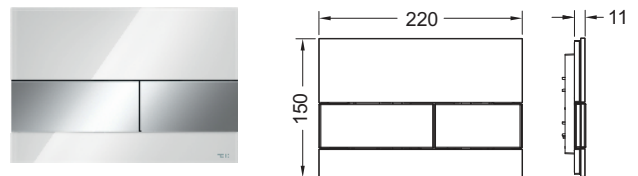
Colour	Exhibition samples	Item No.	DU 1	DU 2
Satined white glass	Yes	9240824	1 pc.	10 pc.
Satined black glass	Yes	9240825	1 pc.	10 pc.
Satined signal grey glass	—	9240826	1 pc.	10 pc.
Satined sand beige glass	Yes	9240827	1 pc.	10 pc.

Information on exhibits is available in the section "Exhibition samples".

TECESquare glass toilet flush plate for dual-flush system

Flush plate for TECE cisterns, for front or top actuation. Flat glass flush plate with two spring-mounted actuation rocker buttons. Suitable for flush-mounted installation in combination with toilet installation frame for flush-mounted install (e.g. Item No. 9240649). Compatible with insert chute for cleaning tablets.

Dimensions (W x H x D): 220 x 150 x 11 mm



Toilet installation frame for flush-mounted installation not included in the scope of delivery, please order separately!

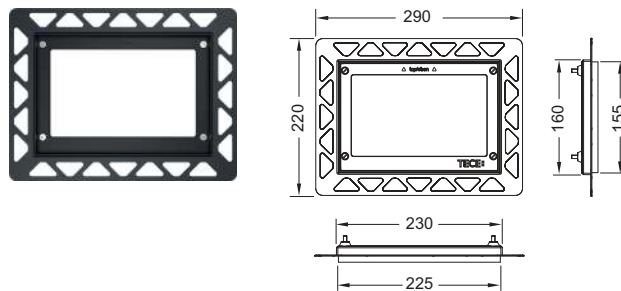
Colour	Exhibition samples	Item No.	DU 1	DU 2
Polished white glass, polished white buttons	Yes	9240800	1 pc.	10 pc.
Polished white glass, brushed stainless steel-look buttons (with anti-fingerprint)	Yes	9240801	1 pc.	10 pc.
Polished white glass, bright chrome buttons	Yes	9240802	1 pc.	10 pc.
Polished black glass, polished black buttons	Yes	9240809	1 pc.	10 pc.
Polished black glass, brushed stainless steel-look buttons (with anti-fingerprint)	Yes	9240806	1 pc.	10 pc.
Polished black glass, bright chrome buttons	Yes	9240807	1 pc.	10 pc.

Information on exhibits is available in the section "Exhibition samples".

Toilet flush plate – TECESquare

TECE toilet installation frame for flush-mounted installation

Installation kit for flush-mounted installation of toilet flush plates TECEloop glass, TECEloop plastic, TECEvelvet, TECESquare glass, TECESquare II glass, TECElux Mini as well as TECEnow. Depth-adjustable tile frame for wall coverings from 5-18 mm (from 18-33 mm with adjustment bolt - Item No. 9820181). Including disassembly tool for flush plate.



Installation frame required during shell assembly!

Caution:

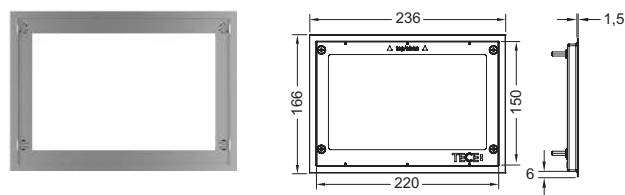
Suitable for dry-wall toilet modules; also for brick-wall constructions in combination with the TECEbox bare-wall protection system (Item No. 9030029). To obtain a clean edge, please use a water jet cutter to prepare the tile cut-out.

Colour	Exhibition samples	Item No.	DU 1	DU 2
White	Yes	9240646	1 pc.	20 pc.
Black	Yes	9240647	1 pc.	20 pc.
Bright chrome	Yes	9240649	1 pc.	20 pc.
Gold plated	—	9240648	1 pc.	20 pc.
Bright metal	—	9240644	1 pc.	20 pc.

Information on exhibits is available in the section "Exhibition samples".

TECE toilet cover frame for toilet installation frame

Metal Cover frame for combination with toilet installation frame. To cover uneven tile edges. Depth-adjustable Cover frame for wall coverings from 5-18 mm (from 18-33 mm with adjustment bolt - Item No. 9820181).

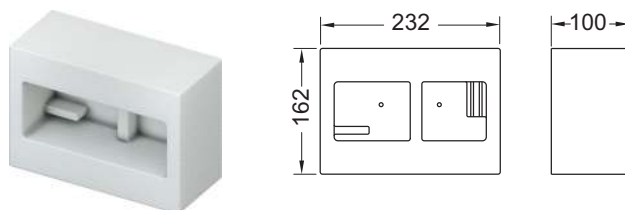


Colour	Item No.	DU 1	DU 2	DU 3
Bright	9240645	1 pc.	10 pc.	320 pc.
Brushed	9240643	1 pc.	10 pc.	320 pc.

TECEbox brick-wall protection system for flush-mounted installation

Larger bare-wall protection system for brick-wall construction to prepare the installation of the installation frame for toilet flush plates. Suitable for use with all TECEbox toilet modules.

Wall thickness at least 30 mm!

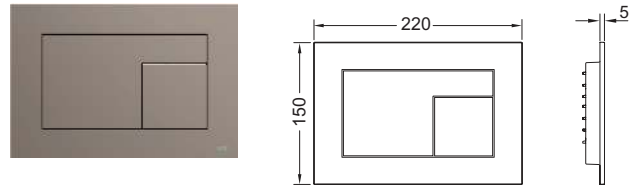


Item No.	DU 1
9030029	1 pc.

TECEvelvet toilet flush plate for dual-flush system

Flush plate for TECE cisterns, for front or top actuation. Very flat flush plate with FENIX NTM surface (FENIX® by Arpa Industriale). Matt Soft touch surface with anti-fingerprint. Flush buttons with rubber inlays, including actuation rods and mounting materials. Suitable for flush-mounted installation in combination with toilet installation frame and spacing frame. Compatible with insert chute for cleaning tablets.

Dimensions (W x H x D): 220 x 150 x 5 mm



Design by Konstantin Grcic

Note:

Ensure minimum wall finish of 23 mm in brick-wall construction!

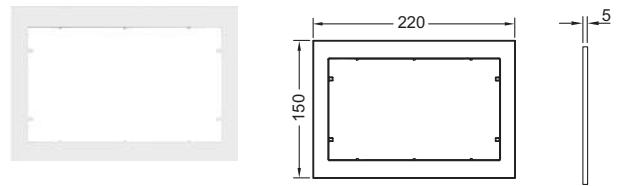
Colour	Matching to	Exhibition samples	Item No.	DU 1	DU 2
White	FENIX NTM® Bianco Kos	—	9240735	1 pc.	10 pc.
Black	FENIX NTM® Nero Ingo	Yes	9240732	1 pc.	10 pc.
Beige brown	FENIX NTM® Castoro Ottawa	Yes	9240730	1 pc.	10 pc.
Grey beige	FENIX NTM® Beige Arizona	Yes	9240733	1 pc.	10 pc.
Anthracite	FENIX NTM® Grigio Londra	Yes	9240731	1 pc.	10 pc.
Stone grey	FENIX NTM® Grigio Efeso	—	9240734	1 pc.	10 pc.

Information on exhibits is available in the section "Exhibition samples".

TECE spacing frame

Used as an intermediate spacer frame for TECEnow and TECEloop plastic flush plates and for flush mounting of TECEnow, TECEloop plastic, TECEvelvet and TECEsquare II glass.

Dimensions (W x H x D): 220 x 150 x 5 mm



Colour	Item No.	DU 1	DU 2
White	9240410	1 pc.	10 pc.
Bright chrome	9240411	1 pc.	10 pc.
Matt chrome	9240412	1 pc.	10 pc.
Black	9240415	1 pc.	10 pc.

TECE toilet installation frame for flush-mounted installation

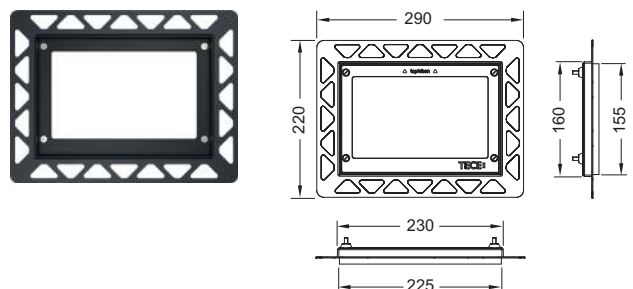
Installation kit for flush-mounted installation of toilet flush plates TECEloop glass, TECEloop plastic, TECEvelvet, TECEsquare glass, TECEsquare II glass, TECElux Mini as well as TECEnow. Depth-adjustable tile frame for wall coverings from 5-18 mm (from 18-33 mm with adjustment bolt - Item No. 9820181). Including disassembly tool for flush plate.

Installation frame required during shell assembly!

Caution:

Suitable for dry-wall toilet modules; also for brick-wall constructions in combination with the TECEbox bare-wall protection system (Item No. 9030029).

To obtain a clean edge, please use a water jet cutter to prepare the tile cut-out.



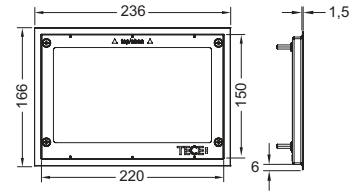
Colour	Exhibition samples	Item No.	DU 1	DU 2
White	Yes	9240646	1 pc.	20 pc.
Black	Yes	9240647	1 pc.	20 pc.
Bright chrome	Yes	9240649	1 pc.	20 pc.
Gold plated	—	9240648	1 pc.	20 pc.
Bright metal	—	9240644	1 pc.	20 pc.

Information on exhibits is available in the section "Exhibition samples".

Toilet flush plate – TECEvelvet

TECE toilet cover frame for toilet installation frame

Metal Cover frame for combination with toilet installation frame. To cover uneven tile edges. Depth-adjustable Cover frame for wall coverings from 5-18 mm (from 18-33 mm with adjustment bolt - Item No. 9820181).

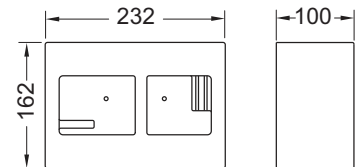


Colour	Item No.	DU 1	DU 2	DU 3
Bright	9240645	1 pc.	10 pc.	320 pc.
Brushed	9240643	1 pc.	10 pc.	320 pc.

TECEbox brick-wall protection system for flush-mounted installation

Larger bare-wall protection system for brick-wall construction to prepare the installation of the installation frame for toilet flush plates. Suitable for use with all TECEbox toilet modules.

Wall thickness at least 30 mm!



Item No.	DU 1
9030029	1 pc.

TECEloop modular system

The TECEloop modular system can be used to individually combine the covers and push-buttons. The choice of cover colours and different push-button colours produces a multitude of combinations.

In combination with the installation frame for toilet flush plates suitable for flush mounting.

Modular system consisting of:

- Actuation unit with push-button for TECEloop toilet flush plate
- Cover for TECEloop toilet flush plate

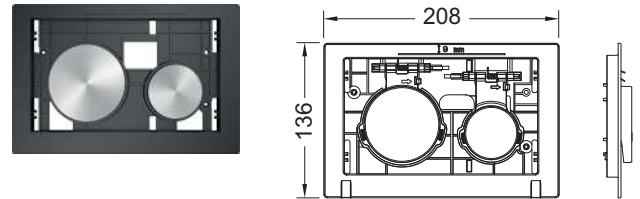
Compatible with insert chute for cleaning tablets.



TECEloop actuation unit for toilet flush plate

Actuation unit with buttons for TECEloop flush plates for front or top actuation, for combination with the cover of the TECEloop modular system.

Cover not included in the scope of delivery.



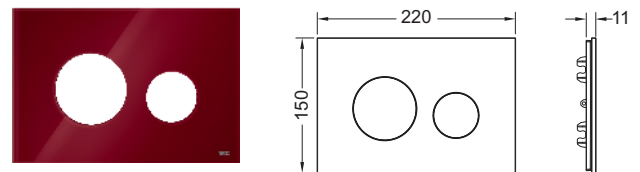
Colour	Exhibition samples	Item No.	DU 1	DU 2
Polished white buttons	Yes	9240663	1 pc.	10 pc.
Matt white buttons	—	9240618	1 pc.	10 pc.
White buttons antibac	—	9240664	1 pc.	10 pc.
Bright chrome buttons	Yes	9240666	1 pc.	10 pc.
Matt chrome buttons	Yes	9240665	1 pc.	10 pc.
Polished black buttons	—	9240667	1 pc.	10 pc.
Matt black buttons	Yes	9240619	1 pc.	10 pc.
Brushed round stainless steel-look buttons (with anti-fingerprint)	Yes	9240669	1 pc.	10 pc.
Gold buttons	—	9240668	1 pc.	10 pc.

Information on exhibits is available in the section "Exhibition samples".

TECEloop cover for toilet flush plate

Cover for TECEloop flush plates for front or top actuation, for combination with the actuation unit of the TECEloop modular system.

Actuation unit not included in the scope of delivery.



Colour	Exhibition samples	Matching to	Item No.	DU 1	DU 2
Polished white glass	Yes	-	9240671	1 pc.	10 pc.
Polished black glass	Yes	Alape/Emco	9240674	1 pc.	10 pc.
Polished coffee brown glass	Yes	-	9240678	1 pc.	10 pc.
Polished ruby red glass	Yes	Alape	9240679	1 pc.	10 pc.
Polished evening blue glass	Yes	-	9240615	1 pc.	10 pc.
Polished titanium glass	—	-	9240616	1 pc.	10 pc.
Polished light beige glass	—	-	9240617	1 pc.	10 pc.
Oak wood	Yes	-	9240612*	1 pc.	10 pc.
White marble	Yes	-	9240613*	1 pc.	10 pc.
Light concrete	Yes	-	9240614*	1 pc.	10 pc.
Slate slab	Yes	-	9240675*	1 pc.	10 pc.

Information on exhibits is available in the section "Exhibition samples".

Toilet flush plate – TECEloop

TECEloop cover support for toilet flush plate, tileable

Cover support for TECEloop flush plates for actuation from the front or from above, tileable surface. For combination with the flush plate from the TECEloop modular system. Suitable for flush-mounted installation in combination with toilet installation frame (e.g. 9240649). Compatible with insert chute for cleaning tablets.

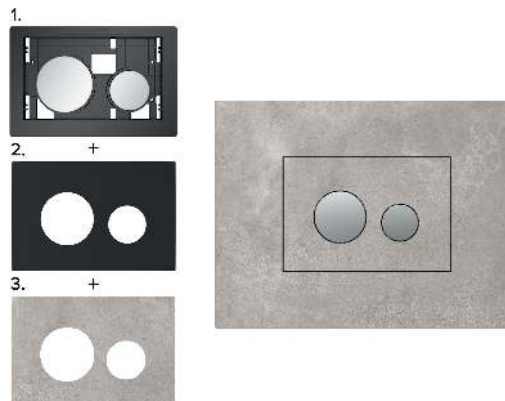
Dimensions (W x H x D): 216 x 145 x 6 mm

Operating unit and toilet installation frame not included in the scope of delivery.

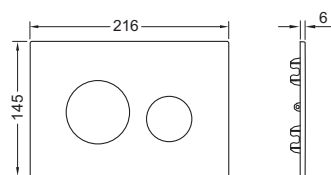
Note:

Material thickness of the individually used tile max. 5 mm.

Colour	Item No.	DU 1	DU 2
Black	9240631	1 pc.	10 pc.



Actuation unit (1.) + cover support (2.) + tile (3.) = tiled wall in conjunction with the installation frame for flush mounting

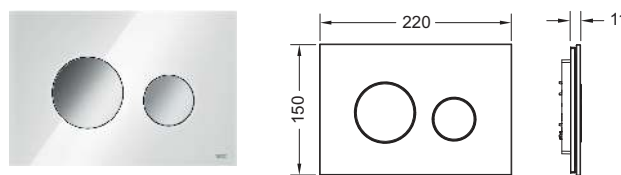


TECEloop toilet flush plate for dual-flush system

Flush plate for TECE cisterns, for front or top actuation. Flat glass flush plate with two spring-mounted flush buttons. Suitable for flush-mounted installation in combination with toilet installation frame (e.g. 9240649). Compatible with insert chute for cleaning tablets.

Dimensions (W x H x D): 220 x 150 x 11 mm

Toilet installation frame not included in the scope of delivery.



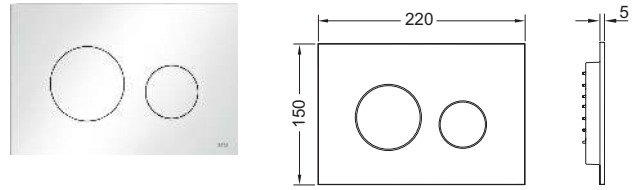
Colour	Exhibition samples	Item No.	DU 1	DU 2
Polished white glass, polished white buttons	Yes	9240650	1 pc.	10 pc.
Polished white glass, matt chrome buttons	Yes	9240659	1 pc.	10 pc.
Polished white glass, bright chrome buttons	Yes	9240660	1 pc.	10 pc.
Polished black glass, polished white buttons	Yes	9240654	1 pc.	10 pc.
Polished black glass, matt chrome buttons	Yes	9240655	1 pc.	10 pc.
Polished black glass, bright chrome buttons	Yes	9240656	1 pc.	10 pc.
Polished black glass, polished black buttons	Yes	9240657	1 pc.	10 pc.

Information on exhibits is available in the section "Exhibition samples".

TECEloop plastic toilet flush plate for dual-flush system

Flush plate for TECE cisterns, for front or top actuation. Very flat plastic flush plate, flush buttons with rubber inlays, including actuation rods and mounting materials. Suitable for flush-mounted installation in combination with toilet installation frame and spacing frame. Compatible with insert chute for cleaning tablets.

Dimensions (W x H x D): 220 x 150 x 5 mm



Note:

Ensure minimum brick-wall construction thickness of 23 mm!

Customised surfaces available on request (from 04/2026).



<https://qr.tece.de/perfect-match>

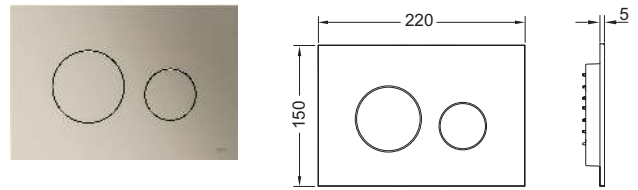
Colour	Exhibition samples	Item No.	DU 1	DU 2
Polished white	Yes	9240920	1 pc.	10 pc.
Matt white	Yes	9240926	1 pc.	10 pc.
Bright chrome	—	9240921	1 pc.	10 pc.
Matt chrome	Yes	9240922	1 pc.	10 pc.
Polished black	—	9240924	1 pc.	10 pc.
Matt black	Yes	9240925	1 pc.	10 pc.
Polished white, bright chrome buttons	—	9240927	SALE 1 pc.	10 pc.

Information on exhibits is available in the section "Exhibition samples".

TECEloop plastic toilet flush plate for dual-flush system, metallic

Flush plate for TECE cisterns, for front or top actuation. Very flat plastic flush plate with rubber inlays on flush buttons, incl. actuation rods and mounting material. Suitable for flush-mounted installation in combination with toilet installation frame and the TECE spacing frame. Compatible with insert chute for cleaning tablets.

Dimensions (W x H x D): 220 x 150 x 5 mm



Note:

Ensure minimum brick-wall construction thickness of 23 mm!

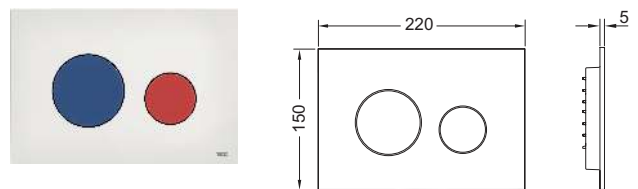
Colour	Exhibition samples	Item No.	DU 1	DU 2
Metallic nickel	—	9240935	1 pc.	10 pc.
Metallic brass	Yes	9240936	1 pc.	10 pc.
Metallic red bronze	Yes	9240937	1 pc.	10 pc.
Metallic graphite	—	9240938	1 pc.	10 pc.

Information on exhibits is available in the section "Exhibition samples".

TECEloop plastic toilet flush plate for dual-flush system, "Kids"

Flush plate for TECE cisterns for actuation from the front or from above, with full flush button in blue and partial flush button in red. Very flat plastic flush plate with rubber inlays on flush buttons, incl. actuation rods and mounting material. Suitable for flush-mounted installation in combination with toilet installation frame and the TECE spacing frame. Compatible with insert chute for cleaning tablets.

Dimensions (W x H x D): 220 x 150 x 5 mm



Note:

Ensure minimum brick-wall construction thickness of 23 mm!

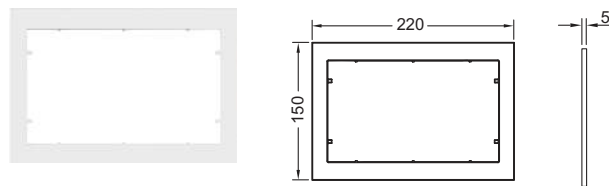
Colour	Item No.	DU 1	DU 2
Polished white, polished red/blue buttons	9240939	1 pc.	10 pc.

Toilet flush plate – TECEloop

TECE spacing frame

Used as an intermediate spacer frame for TECEnow and TECEloop plastic flush plates and for flush mounting of TECEnow, TECEloop plastic, TECEvelvet and TECEsquare II glass.

Dimensions (W x H x D): 220 x 150 x 5 mm



Colour	Item No.	DU 1	DU 2
White	9240410	1 pc.	10 pc.
Bright chrome	9240411	1 pc.	10 pc.
Matt chrome	9240412	1 pc.	10 pc.
Black	9240415	1 pc.	10 pc.

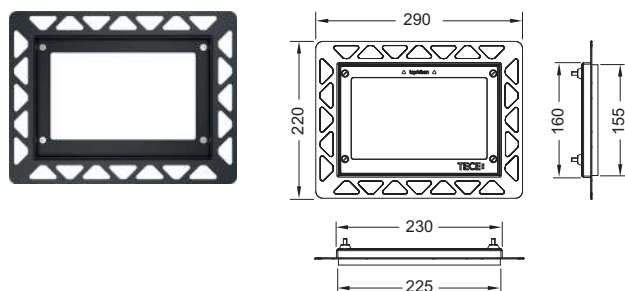
TECE toilet installation frame for flush-mounted installation

Installation kit for flush-mounted installation of toilet flush plates TECEloop glass, TECEloop plastic, TECEvelvet, TECEsquare glass, TECEsquare II glass, TECElux Mini as well as TECEnow. Depth-adjustable tile frame for wall coverings from 5-18 mm (from 18-33 mm with adjustment bolt - Item No. 9820181). Including disassembly tool for flush plate.

Installation frame required during shell assembly!

Caution:

Suitable for dry-wall toilet modules; also for brick-wall constructions in combination with the TECEbox bare-wall protection system (Item No. 9030029). To obtain a clean edge, please use a water jet cutter to prepare the tile cut-out.

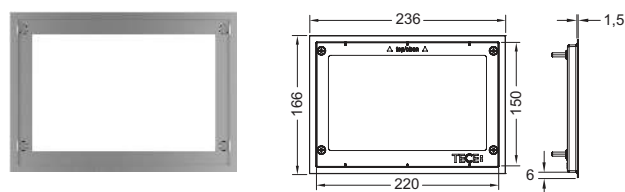


Colour	Exhibition samples	Item No.	DU 1	DU 2
White	Yes	9240646	1 pc.	20 pc.
Black	Yes	9240647	1 pc.	20 pc.
Bright chrome	Yes	9240649	1 pc.	20 pc.
Gold plated	—	9240648	1 pc.	20 pc.
Bright metal	—	9240644	1 pc.	20 pc.

Information on exhibits is available in the section "Exhibition samples".

TECE toilet cover frame for toilet installation frame

Metal Cover frame for combination with toilet installation frame. To cover uneven tile edges. Depth-adjustable Cover frame for wall coverings from 5-18 mm (from 18-33 mm with adjustment bolt - Item No. 9820181).

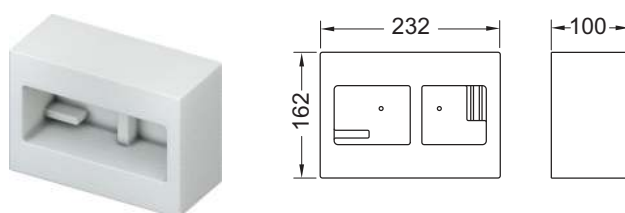


Colour	Item No.	DU 1	DU 2	DU 3
Bright	9240645	1 pc.	10 pc.	320 pc.
Brushed	9240643	1 pc.	10 pc.	320 pc.

TECEbox brick-wall protection system for flush-mounted installation

Larger bare-wall protection system for brick-wall construction to prepare the installation of the installation frame for toilet flush plates. Suitable for use with all TECEbox toilet modules.

Wall thickness at least 30 mm!



Item No.	DU 1
9030029	1 pc.

TECESolid toilet flush plate for dual-flush system

Flush plate for TECE cisterns, for front or top actuation. Very flat stainless steel flush plate with rubber inlays on flush buttons, incl. actuating rods and mounting material. Flush plate covertly screwable. Compatible with insert chute for cleaning tablets.

Dimensions (W x H x D): 220 x 150 x 6 mm

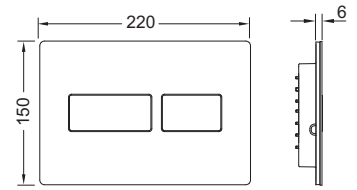
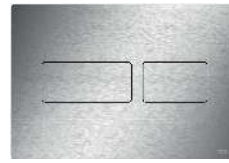
Note:

Observe minimum wall finish of 26 mm in brick-wall construction.

Customised surfaces available on request (from 04/2026).



<https://qr.tece.de/perfect-match>



Colour	Exhibition samples	Item No.	DU 1	DU 2
Polished white	Yes	9240432	1 pc.	10 pc.
Matt white	Yes	9240433	1 pc.	10 pc.
Brushed stainless steel	—	9240430	1 pc.	10 pc.
Brushed stainless steel (with anti-fingerprint)	Yes	9240434	1 pc.	10 pc.
Bright chrome	Yes	9240431	1 pc.	10 pc.
Matt black	—	9240416	1 pc.	10 pc.
Brushed bronze (with anti-fingerprint)	—	9240444	1 pc.	10 pc.
Brushed brass (with anti-fingerprint)	—	9240445	1 pc.	10 pc.
Brushed warm nickel (with anti-fingerprint)	—	9240446	1 pc.	10 pc.
Brushed graphite (with anti-fingerprint)	—	9240447	1 pc.	10 pc.

Information on exhibits is available in the section "Exhibition samples".

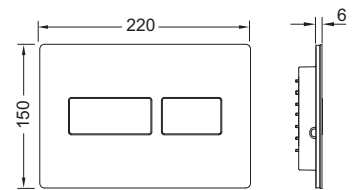
TECESolid toilet flush plate for dual-flush system, with textured surface

Flush plate with structured surface for TECE cisterns, for front or top actuation. Very flat stainless steel flush plate with rubber inlays on flush buttons, incl. actuation rods and mounting material. Flush plate covertly screwable. Compatible with insert chute for cleaning tablets.

Dimensions (W x H x D): 220 x 150 x 6 mm

Note:

Observe minimum wall finish of 26 mm in brick-wall construction.



Colour	Exhibition samples	Item No.	DU 1	DU 2
Brushed bronze with diamond structure (with anti-fingerprint)	—	9240435	1 pc.	10 pc.
Brushed brass with diamond structure (with anti-fingerprint)	Yes	9240436	1 pc.	10 pc.
Brushed warm nickel with line structure (with anti-fingerprint)	—	9240437	1 pc.	10 pc.
Brushed graphite with line structure (with anti-fingerprint)	Yes	9240438	1 pc.	10 pc.

Information on exhibits is available in the section "Exhibition samples".

TECESolid concealed screws

Concealed screw connection for anti-theft protection of TECESolid flush plate, includes assembly tool.

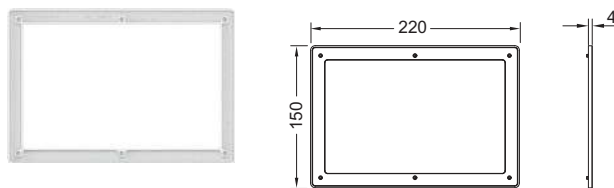


Item No.	DU 1
9240442	1 pc.

Toilet flush plate – TECESolid

TECESolid spacing frame

For combination with the TECESolid flush plate, use as an intermediate spacer frame and for flush mounting of the insert chute II and the TECESquare II glass. Dimensions (W x H x D): 220 x 150 x 4 mm



Colour	Item No.	DU 1	DU 2
White	9240440	1 pc.	10 pc.
Grey	9240441	1 pc.	10 pc.

Toilet flush plate – TECESolid electronic flushing systems

TECESolid toilet electronics with touchless actuation, 6 V battery

Electronic flush plate with touch-free hygienic actuation for TECE cisterns with front actuation and actuation height of approx. 1 m (centre of flush plate). Very flat stainless steel flush plate including fixing material, watertight battery compartment for installation in the cistern (with four batteries type Mono/D/LR 20) and actuation motor for single or dual flush. Compatible with insertion chute for cleaning tablets.

Dimensions (W x H x D): 220 x 150 x 6 mm

Function of the electronics:

The sensor detects when a person approaches the toilet and only illuminates the flush buttons then. The flush actuation is touch-free or by touching the button area. The TECESolid toilet electronics can be adapted to individual requirements using app programming.

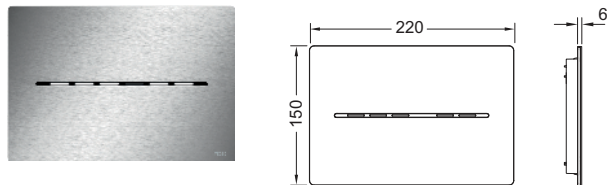
Programmable functions (via Bluetooth interface and app):

- Single or water-saving dual flush
- Detection range of the sensor
- Interval hygiene flush
- Activation time
- Pre-flush
- Automatic flush (safety flush)
- Display illumination brightness

Evaluation/logging function via app, interface to building management system and for remote release via cable-connected electric button on the safety arm support.

Note:

- Ensure minimum wall finish of 26 mm in brick-wall construction!
- Not compatible with toilet modules of installation heights 980, 820 and 750 mm.
- Not compatible with TOTO Washlets RX and SX.



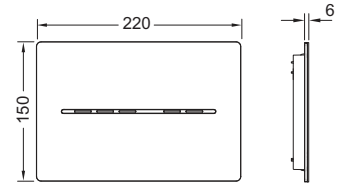
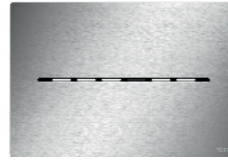
Colour	Exhibition samples	Item No.	DU 1
Bright chrome	—	9240461	1 pc.
Polished white	—	9240462	1 pc.
Matt white	—	9240463	1 pc.
Brushed stainless steel (with anti-fingerprint)	Yes	9240464	1 pc.
Matt black	—	9240465	1 pc.

Information on exhibits is available in the section "Exhibition samples".

Toilet flush plate – TECEsolid electronic flushing systems

TECEsolid toilet electronics with touchless actuation, 12 V mains

Electronic flush plate with touch-free hygienic actuation for TECE cisterns with front actuation and actuation height of approx. 1 m (centre of flush plate). Very flat stainless steel flush plate including fixing material and actuation motor for single or dual flush. Compatible with insertion chute for cleaning tablets. Dimensions (W x H x D): 220 x 150 x 6 mm



Function of the electronics:

The sensor detects when a person approaches the toilet and only illuminates the flush buttons then. The flush actuation is touch-free or by touching the button area. The TECEsolid toilet electronics can be adapted to individual requirements using app programming.

Programmable functions (via Bluetooth interface and app):

- Single or water-saving dual flush
- Detection range of the sensor
- Interval hygiene flush
- Activation time
- Pre-flush
- Automatic flush (safety flush)
- Display illumination brightness

Evaluation/logging function via app, interface to building management system and for remote release via wired electric button on the safety arm support, including 9-volt block battery for emergency power supply.

Please order separately:

- For 230/12 V connection: transformer including connection cable (230 V connection voltage, Item No. 98 10012)

Note:

- Ensure minimum wall finish of 26 mm in brick-wall construction!
- TECEsolid toilet electronics requires a power connection.
- Not compatible with toilet modules of installation heights 980, 820 and 750 mm.
- Not compatible with TOTO Washlets RX and SX.

Colour	Exhibition samples	Item No.	DU 1
Bright chrome	—	9240451	1 pc.
Polished white	—	9240452	1 pc.
Matt white	—	9240453	1 pc.
Brushed stainless steel (with anti-fingerprint)	Yes	9240454	1 pc.
Matt black	—	9240455	1 pc.

Information on exhibits is available in the section "Exhibition samples".

Toilet flush plate – TECEsolid electronic flushing systems

TECEsolid toilet electronics anti-theft device

Concealed screw connection for anti-theft protection of TECEsolid toilet electronics.



Item No.	DU 1
9240443	1 pc.

TECE transformer for toilet electronics including connection cable

Transformer for the electrical connection of the TECElux Mini as well as the TECEsolid toilet electronics (approx. 1 m central flush plate). One flush plate can be connected per transformer. For mounting in a flush-mounted socket with a diameter of 60 mm and depth of 63 mm. Electrical connection voltage 230 V (100-240 V, 50-60 Hz), output 12 V DC. Cable length 5 m.



Item No.	DU 1
9810012	1 pc.

Toilet flush plate – TECEplanus electronic flushing systems

TECEplanus toilet remote release for safety arm support, 6 V battery

For barrier-free construction, for remote release of TECE cisterns via radio switch in the safety support arm. Suitable for all TECE cisterns with actuation from the front und actuation height of approx. 1 m. Additional manual flush actuation possible via flush plate (not included in the scope of delivery).

Suitable for safety support arms with radio actuation:

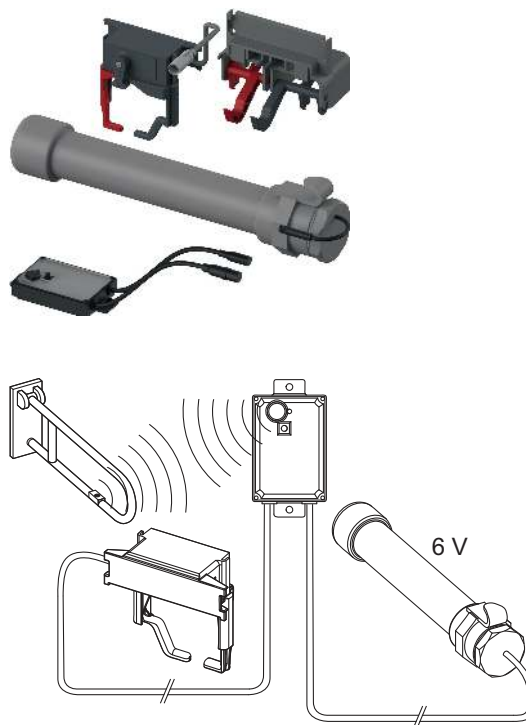
- HEWI series LifeSystem safety support arms 802.50.., with upgrade set HEWI 802.50.060R (right) or HEWI 802.50.060L (left)
- HEWI series 801 safety support arms 801.50.., with upgrade set HEWI 801.50.060
- HEWI series 805 safety support arms 805.50.., with upgrade set HEWI 801.50.060
- KEUCO Plan Care 34903 and 34905 with radio actuation

Consisting of:

- Adjustable flush volume 4.5/6/7.5 or 9 litres
- Water-tight battery compartment for installation in the cistern
- four batteries, type Mono/D/LR20
- actuation motor

Please order separately:

- Manual flush plate
- Single or dual volume flush plate



Item No.	DU 1
9240354*	1 pc.

TECEplanus toilet remote release for safety arm support, 12 V mains

For barrier-free construction, for remote release of TECE cisterns via radio switch in the safety support arm. Suitable for all TECE cisterns with actuation from the front und actuation height of approx. 1 m. Additional manual flush actuation possible via flush plate (not included in the scope of delivery).

Suitable for safety support arms with radio actuation:

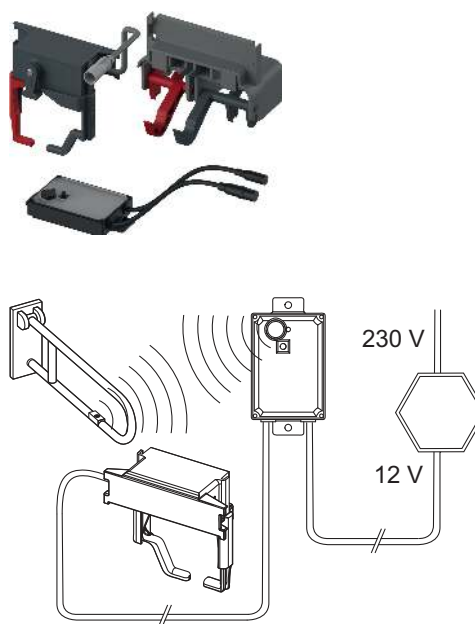
- HEWI series LifeSystem safety support arms 802.50.., with upgrade set HEWI 802.50.060R (right) or HEWI 802.50.060L (left)
- HEWI series 801 safety support arms 801.50.., with upgrade set HEWI 801.50.060
- HEWI series 805 safety support arms 805.50.., with upgrade set HEWI 801.50.060
- KEUCO Plan Care 34903 and 34905 with radio actuation

Consisting of:

- Adjustable flush volume 4.5/6/7.5 or 9 litres
- Power supply by external 230/12 V transformer (transformer not included in the scope of delivery).
- actuation motor

Please order separately:

- TECEplanus 230/12 V transformer – Item No. 9810003
- TECEplanus 12 V connection cable – Item No. 9810004
- Single or dual volume flush plate



Item No.	DU 1
9240355*	1 pc.

TECEplanus toilet remote release for cable-connected electronic buttons, 6 V battery

For barrier-free construction, for remote release of TECE cisterns by cable-connected electric push-buttons in the safety support arm or in the wall. Suitable for all TECE cisterns with actuation from the front und actuation height of approx. 1 m. Additional manual flush actuation possible via flush plate (not included in the scope of delivery).

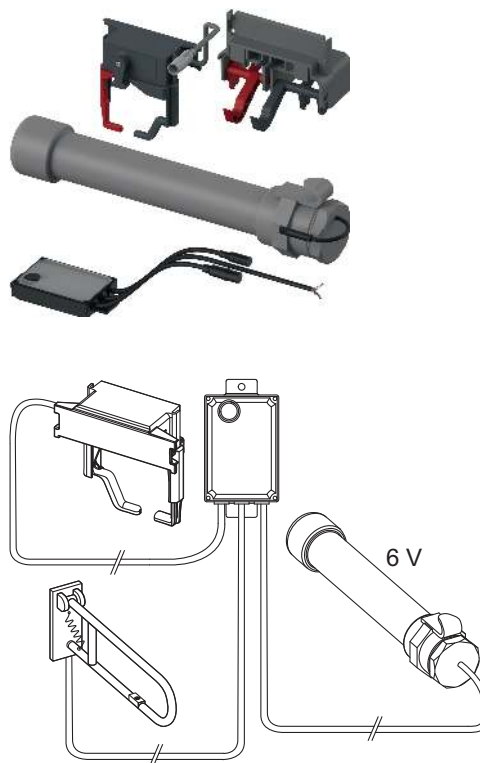
Consisting of:

- Adjustable flush volume 4.5/6/7.5 or 9 litres
- Water-tight battery compartment for installation in the cistern
- four batteries, type Mono/D/LR20
- actuation motor

Please order separately:

- Single or dual volume flush plate

Item No.	DU 1
9240356*	1 pc.



TECEplanus toilet remote release for cable-connected electronic buttons, 12 V mains

For barrier-free construction, for remote release of TECE cisterns by cable-connected electric push-buttons in the safety support arm or in the wall. Suitable for all TECE cisterns with actuation from the front und actuation height of approx. 1 m. Additional manual flush actuation possible via flush plate (not included in the scope of delivery).

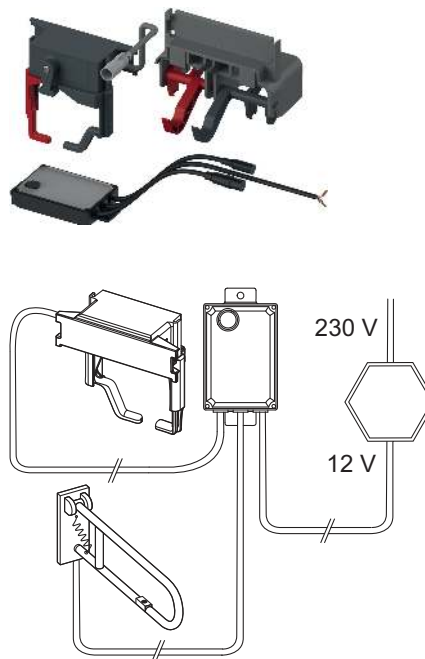
Consisting of:

- Adjustable flush volume 4.5/6/7.5 or 9 litres
- Power supply by external 230/12 V transformer (transformer not included in the scope of delivery)
- actuation motor

Please order separately:

- TECEplanus 230/12 V transformer – Item No. 9810003
- TECEplanus 12 V connection cable – Item No. 9810004
- Single or dual volume flush plate

Item No.	DU 1
9240357*	1 pc.



* Not in combination with Octa cistern, 8 cm

Toilet flush plate – TECEplanus electronic flushing systems

TECEplanus transformer for 230/12 V mains electronics, toilet/urinal

For installation in standard flush-mounted boxes with \varnothing 60 mm, up to 5 urinal electronics or 1 toilet electronics can be connected.

Electrical connection: 230 V

Output: 12 V DC



Item No.	DU 1
9810003	1 pc.

TECEplanus connection cable for 12 V mains electronics, toilet/urinal

Twin-core connection cable, length 10 m.



Item No.	DU 1
9810004	1 pc.

TECEplanus radio button

Retrofit button for safety arm support, suitable for TECE radio controlled toilet flush system.

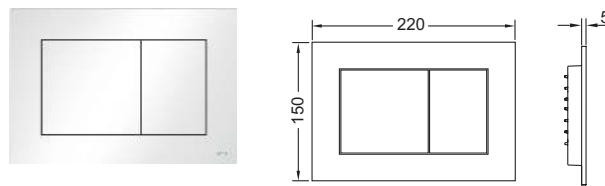


Item No.	DU 1
9240360	1 pc.

TECEnow toilet flush plate for dual-flush system

Flush plate for TECE cisterns, for front or top actuation. Very flat plastic flush plate, buttons with rubber inlays on both sides. Incl. actuating rods and mounting material. Suitable for flush-mounted installation in combination with toilet installation frame and spacing frame. Compatible with insert chute for cleaning tablets.

Dimensions (W x H x D): 220 x 150 x 5 mm



Note:

Ensure minimum brick-wall construction thickness of 23 mm!

Customised surfaces available on request (from 04/2026).



<https://qr.tece.de/perfect-match>

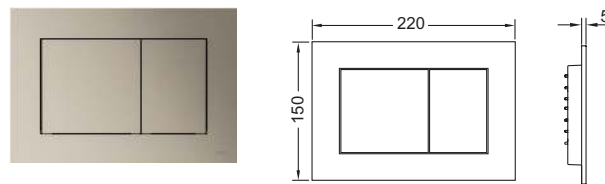
Colour	Exhibition samples	Item No.	DU 1	DU 2
Polished white	Yes	9240400	1 pc.	10 pc.
White, antibacterial	—	9240405	1 pc.	10 pc.
Matt white	—	9240417	1 pc.	10 pc.
Bright chrome	Yes	9240401	1 pc.	10 pc.
Matt chrome	Yes	9240402	1 pc.	10 pc.
Polished black	Yes	9240403	1 pc.	10 pc.
Matt black	Yes	9240407	1 pc.	10 pc.

Information on exhibits is available in the section "Exhibition samples".

TECEnow toilet flush plate for dual-flush system, metallic

Flush plate for TECE cisterns, for front or top actuation. Very flat plastic flush plate with rubber inlays on flush buttons, incl. actuation rods and mounting material. Suitable for flush-mounted installation in combination with toilet installation frame and the TECE spacing frame. Compatible with insert chute for cleaning tablets.

Dimensions (W x H x D): 220 x 150 x 5 mm



Note:

Ensure minimum brick-wall construction thickness of 23 mm!

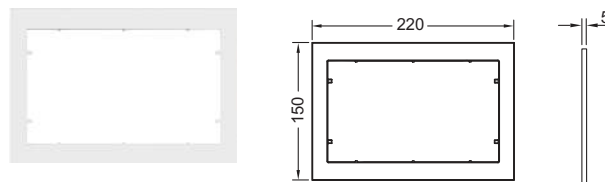
Colour	Exhibition samples	Item No.	DU 1	DU 2
Metallic nickel	Yes	9240418	1 pc.	10 pc.
Metallic brass	—	9240419	1 pc.	10 pc.
Metallic red bronze	—	9240422	1 pc.	10 pc.
Metallic graphite	Yes	9240423	1 pc.	10 pc.

Information on exhibits is available in the section "Exhibition samples".

TECE spacing frame

Used as an intermediate spacer frame for TECEnow and TECEloop plastic flush plates and for flush mounting of TECEnow, TECEloop plastic, TECEvelvet and TECEsquare II glass.

Dimensions (W x H x D): 220 x 150 x 5 mm

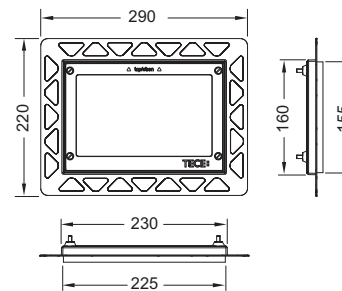


Colour	Item No.	DU 1	DU 2
White	9240410	1 pc.	10 pc.
Bright chrome	9240411	1 pc.	10 pc.
Matt chrome	9240412	1 pc.	10 pc.
Black	9240415	1 pc.	10 pc.

Toilet flush plate – TECEnow

TECE toilet installation frame for flush-mounted installation

Installation kit for flush-mounted installation of toilet flush plates TECEloop glass, TECEloop plastic, TECEvelvet, TECEsquare glass, TECEsquare II glass, TECElux Mini as well as TECEnow. Depth-adjustable tile frame for wall coverings from 5-18 mm (from 18-33 mm with adjustment bolt - Item No. 9820181). Including disassembly tool for flush plate.



Installation frame required during shell assembly!

Caution:

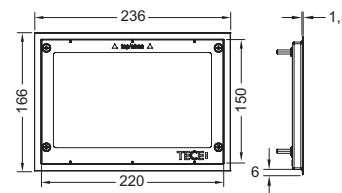
Suitable for dry-wall toilet modules; also for brick-wall constructions in combination with the TECEbox bare-wall protection system (Item No. 9030029). To obtain a clean edge, please use a water jet cutter to prepare the tile cut-out.

Colour	Exhibition samples	Item No.	DU 1	DU 2
White	Yes	9240646	1 pc.	20 pc.
Black	Yes	9240647	1 pc.	20 pc.
Bright chrome	Yes	9240649	1 pc.	20 pc.
Gold plated	—	9240648	1 pc.	20 pc.
Bright metal	—	9240644	1 pc.	20 pc.

Information on exhibits is available in the section "Exhibition samples".

TECE toilet cover frame for toilet installation frame

Metal Cover frame for combination with toilet installation frame. To cover uneven tile edges. Depth-adjustable Cover frame for wall coverings from 5-18 mm (from 18-33 mm with adjustment bolt - Item No. 9820181).

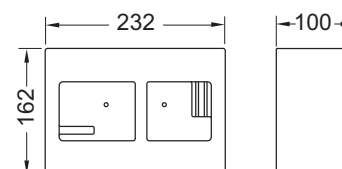


Colour	Item No.	DU 1	DU 2	DU 3
Bright	9240645	1 pc.	10 pc.	320 pc.
Brushed	9240643	1 pc.	10 pc.	320 pc.

TECEbox brick-wall protection system for flush-mounted installation

Larger bare-wall protection system for brick-wall construction to prepare the installation of the installation frame for toilet flush plates. Suitable for use with all TECEbox toilet modules.

Wall thickness at least 30 mm!

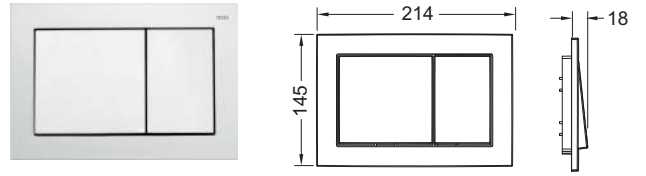


Item No.	DU 1
9030029	1 pc.

TECEbase toilet flush plate for dual-flush system

Flush plate for TECE cisterns, for front or top actuation. Plastic flush plate incl. actuating rods and mounting material. Compatible with insert chute for cleaning tablets.

Dimensions (W x H x D): 214 x 145 x 18 mm



Colour	Item No.	DU 1	DU 2
Polished white	9240700	1 pc.	10 pc.
Bright chrome	9240701	1 pc.	10 pc.
Matt chrome	9240702	1 pc.	10 pc.
Matt black	9240723	1 pc.	10 pc.

Toilet flush plate – TECEflushpoint

TECEflushpoint pneumatic remote release for cisterns with drain valve A 2, shell set

Pneumatic remote control for Uni 750-, Uni and Base cisterns for decentralised cistern actuation in combination with a manual TECE flush plate or an inspection cover. For use in solid and dry-wall construction or furniture installation.

Consisting of: pneumatic actuator for Uni cistern, flush-mounted socket, 2 m pneumatic hose, 2 m empty conduit, installation depth: 75 mm

Caution:

Can only be used in combination with the TECEflushpoint pneumatic remote release fine installation set 9240978-9240984 (please order separately).



Item No.	DU 1
9240976	1 pc.

TECEflushpoint pneumatic remote release for cistern with drain valve A 5, shell set

Pneumatic remote control for Compact 320-, Base 320-, Octa II- and Base 8 cisterns with drain valve A 5 for decentralised cistern actuation in combination with a manual TECE flush plate or an inspection cover. For use in solid and dry-wall construction or furniture installation.

Consisting of: pneumatic actuator for cistern, flush-mounted socket, 2 m pneumatic hose, 2 m empty conduit, installation depth: 75 mm

Caution:

Can only be used in combination with the TECEflushpoint pneumatic remote release fine installation set 9240978-9240984 (please order separately).



Item No.	DU 1
9240977	1 pc.

TECEflushpoint pneumatic remote release for dual-flush system, fine installation set, with square cover

Pneumatic remote release for TECE cisterns for decentralised actuation of the cistern in combination with a manual TECE flush plate or an inspection panel. For use in solid and dry-wall construction or furniture installation. Dimensions (W x H x D): 95 x 95 x 5 mm

Consisting of: very flat design plastic cover plate in square design, large and small plastic button and the pneumatic actuation unit

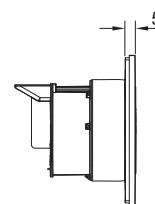
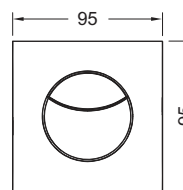
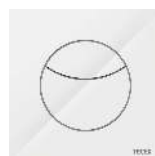
Caution:

Can only be used in combination with the TECEflushpoint pneumatic remote release shell set (please order separately).

Customised surfaces available on request (from 04/2026).



<https://qr.tece.de/perfect-match>



Colour	Item No.	DU 1
Polished white	9240978	1 pc.
Bright chrome	9240979	1 pc.
Matt chrome	9240980	1 pc.

TECEflushpoint pneumatic remote release for dual-flush system, fine installation set, with round cover

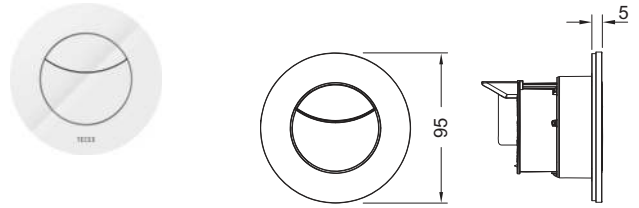
Pneumatic remote release for TECE cisterns for decentralised actuation of the cistern in combination with a manual TECE flush plate or an inspection panel. For use in solid and dry-wall construction or furniture installation. Dimensions (W x H x D): 95 x 95 x 5 mm

Consisting of: very flat design plastic cover plate in round design, large and small plastic button and the pneumatic actuation unit

Caution:

Can only be used in combination with the TECEflushpoint pneumatic remote release shell set (please order separately).

Colour	Item No.	DU 1
Polished white	9240981	1 pc.
Bright chrome	9240982	1 pc.
Matt chrome	9240983	1 pc.



TECEflushpoint pneumatic remote release for single-flush system, fine installation set, with square cover

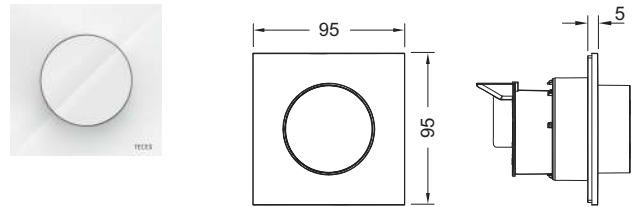
Pneumatic remote release for TECE cisterns for decentralised actuation of the cistern in combination with a manual TECE flush plate or an inspection panel. For use in solid and dry-wall construction or furniture installation. Dimensions (W x H x D): 95 x 95 x 5 mm

Consisting of: very flat design plastic cover plate in square design, large protruding plastic button and the pneumatic actuation unit

Caution:

Can only be used in combination with the TECEflushpoint pneumatic remote release shell set (please order separately).

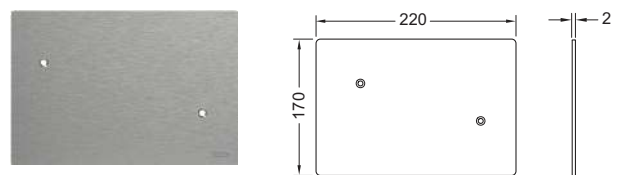
Colour	Item No.	DU 1
Polished white	9240984	1 pc.



TECEflushpoint cover plate

Cover plate without flush function with "easy fit" fixing screws, can be used in conjunction with pneumatic remote release, suitable for all TECE cisterns.

Colour	Item No.	DU 1
Brushed stainless steel	9240999	1 pc.



Toilet flush plate – Accessories

TECE insert chute II for cleaning tablets (TECElux Mini, TECEsquare glass, TECEvelvet, TECEloop and TECEnow)

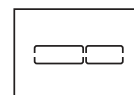
For inserting toilet cleaning tablets into Uni and Base cisterns; in combination with TECElux Mini, TECEsquare glass, TECEvelvet, TECEloop and TECEnow flush plates; for installation from the front; suitable for flush-mounted installation.

Use in brick-wall construction from 22 mm wall structure.

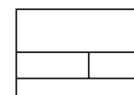
Maximum wall structure: 79 mm dry-wall construction, 98 mm brick-wall construction

Attention:

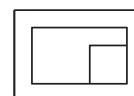
- The cleaning tablets used must not contain chlorine or any other oxidizing components.
- Not compatible with TECEflushpoint pneumatic remote release.



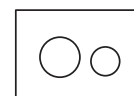
TECElux Mini



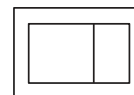
TECEsquare glass



TECEvelvet



TECEloop



TECEnow

Item No.	DU 1
9240951	1 pc.

TECE insert chute II for cleaning tablets (TECEsquare II metal, TECEsquare II glass and TECEsolid)

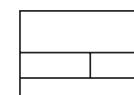
For inserting toilet cleaning tablets into Uni and Base cisterns; in combination with TECEsquare II metal, TECEsquare II glass and TECEsolid flush plates; for installation from the front; suitable for flush-mounted installation in conjunction with the TECEsquare II glass and the TECEsolid spacing frame.

Use in brick-wall construction from 32 mm wall structure.

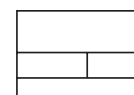
Maximum wall structure: 89 mm dry-wall construction, 108 mm brick-wall construction

Attention:

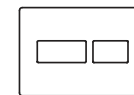
- The cleaning tablets used must not contain chlorine or any other oxidizing components.
- Not compatible with TECEflushpoint pneumatic remote release.



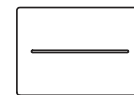
TECEsquare II metal



TECEsquare II glass



TECEsolid



TECEsolid

Item No.	DU 1
9240952	1 pc.

TECE extension set for TECE toilet flush plates

For extending attachment and actuation rods by max. 12 cm.

Item No.	DU 1
9820030	1 pc.



TECE extension set for flush-mounted installation of installation frame

4 adjustment bolts 18-33 mm incl. safety washer, for toilet, urinal and TECEfilo installation frame.

Item No.	DU 1
9820181	1 pc.



TECE mounting material and actuation rods for flush plate installation (2003-2020)

Assembly set for the combination of old cisterns (2003-2020) with new TECE flush plates (from 2021), as well as old TECE flush plates (2003-2020) with new cisterns (from 2020).

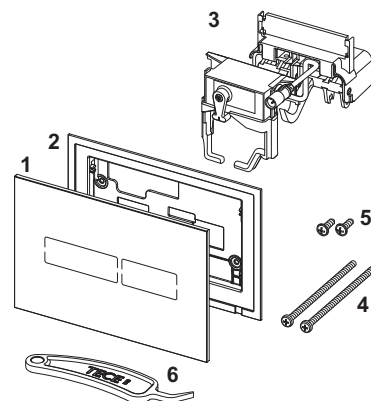


Item No.	DU 1	DU 2
9820692	1 pc.	50 pc.

Toilet flush plate – Spare parts

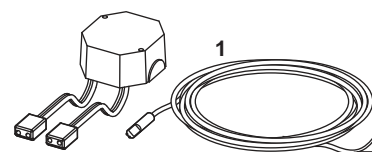
TECElux Mini flush plate with electronic touchless actuation

Pos.	Item No.	Designation	DU 1
1	9820369	Cover plate polished white glass	1 pc.
	9820370	Cover plate polished black glass	1 pc.
2	9820397	Support frame	1 pc.
3	9820493	Actuation motor for TECE cistern	1 pc.
4	9820497	“easy fit” attachment screws (from 2021)	1 pc.
5	9820263	Fastening screws (2003-2020)	1 pc.
6	9820390	Dismounting and programming key	1 pc.



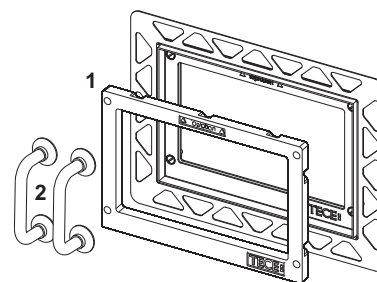
9810012 – TECE transformer for toilet electronics including connection cable

Pos.	Item No.	Designation	DU 1
1	9820352	Connection cable (5 meters)	1 pc.



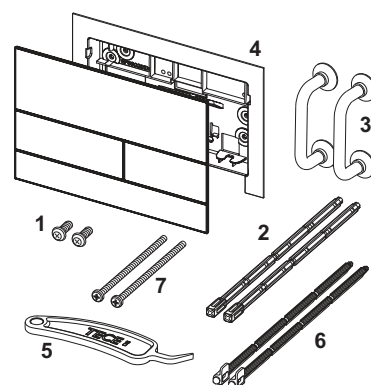
TECE toilet installation frame for flush-mounted installation

Pos.	Item No.	Designation	DU 1
1	9820196	Toilet support frame for flush-mounted installation	1 pc.
2	9820180	Bow-type handles	1 pc.



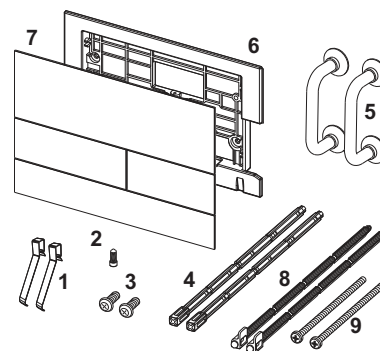
TECEsquare II metal toilet flush plate for dual-flush system, with coloured surface TECEsquare II metal toilet flush plate for dual-flush system

Pos.	Item No.	Designation	DU 1
1	9820263	Fastening screws (2003-2020)	1 pc.
2	9820022	Actuation rods (2003-2020)	1 pc.
3	9820180	Bow-type handles	1 pc.
4	9820347	Support frame	1 pc.
5	9820390	Dismounting and programming key	1 pc.
6	9820498	“easy fit” actuation rods (from 2021)	1 pc.
7	9820497	“easy fit” attachment screws (from 2021)	1 pc.



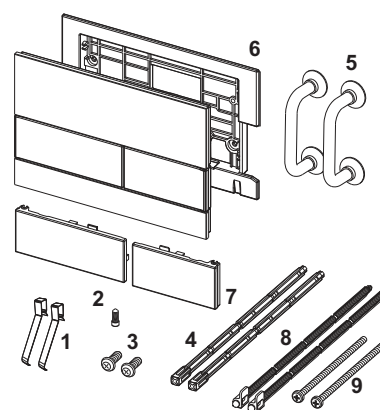
TECESquare metal toilet flush plate for dual-flush system

Pos.	Item No.	Designation	DU 1
1	9820253	Push-button springs, set of two	1 pc.
2	9820249	Safety bolt	1 pc.
3	9820263	Fastening screws (2003-2020)	1 pc.
4	9820022	Actuation rods (2003-2020)	1 pc.
5	9820180	Bow-type handles	1 pc.
6	9820328	Support frame	1 pc.
7	9820391	TECESquare metal brushed stainless steel	1 pc.
	9820392	TECESquare metal chrome gloss	1 pc.
	9820393	TECESquare metal polished white	1 pc.
8	9820498	“easy fit” actuation rods (from 2021)	1 pc.
9	9820497	“easy fit” attachment screws (from 2021)	1 pc.



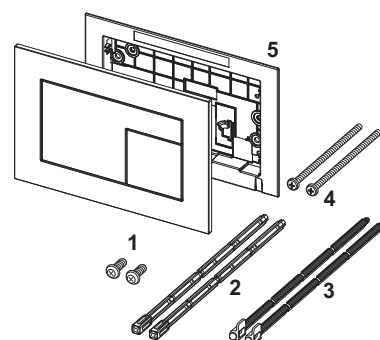
TECESquare glass toilet flush plate for dual-flush system

Pos.	Item No.	Designation	DU 1
1	9820253	Push-button springs, set of two	1 pc.
2	9820249	Safety bolt	1 pc.
3	9820263	Fastening screws (2003-2020)	1 pc.
4	9820022	Actuation rods (2003-2020)	1 pc.
5	9820180	Bow-type handles	1 pc.
6	9820328	Support frame	1 pc.
7	9820557	Flush buttons polished white	1 pc.
	9820559	Flush buttons, brushed stainless steel	1 pc.
	9820558	Flush buttons, bright chrome	1 pc.
	9820560	Flush buttons polished black	1 pc.
8	9820498	“easy fit” actuation rods (from 2021)	1 pc.
9	9820497	“easy fit” attachment screws (from 2021)	1 pc.



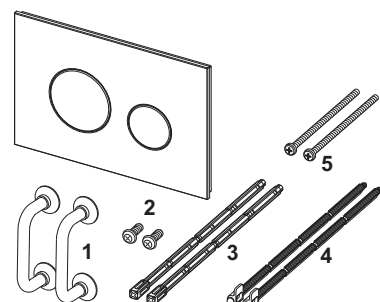
TECEvelvet toilet flush plate for dual-flush system

Pos.	Item No.	Designation	DU 1
1	9820263	Fastening screws (2003-2020)	1 pc.
2	9820022	Actuation rods (2003-2020)	1 pc.
3	9820498	“easy fit” actuation rods (from 2021)	1 pc.
4	9820497	“easy fit” attachment screws (from 2021)	1 pc.
5	9820346	Support frame	1 pc.



TECEloop toilet flush plate for dual-flush system

Pos.	Item No.	Designation	DU 1
1	9820180	Bow-type handles	1 pc.
2	9820263	Fastening screws (2003-2020)	1 pc.
3	9820022	Actuation rods (2003-2020)	1 pc.
4	9820498	“easy fit” actuation rods (from 2021)	1 pc.
5	9820497	“easy fit” attachment screws (from 2021)	1 pc.

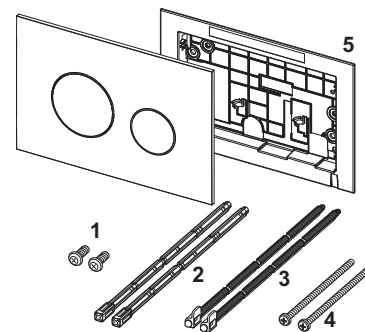


Toilet flush plate – Spare parts

Flush plates

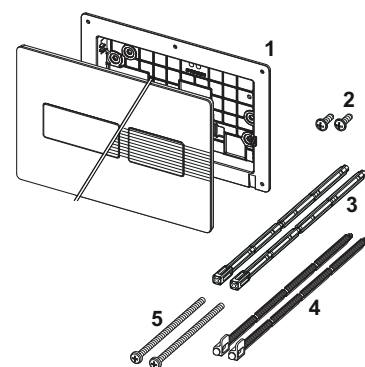
TECEloop plastic toilet flush plate for dual-flush system
 TECEloop plastic toilet flush plate for dual-flush system, metallic
 TECEloop plastic toilet flush plate for dual-flush system, "Kids"

Pos.	Item No.	Designation	DU 1
1	9820263	Fastening screws (2003-2020)	1 pc.
2	9820022	Actuation rods (2003-2020)	1 pc.
3	9820498	"easy fit" actuation rods (from 2021)	1 pc.
4	9820497	"easy fit" attachment screws (from 2021)	1 pc.
5	9820346	Support frame	1 pc.



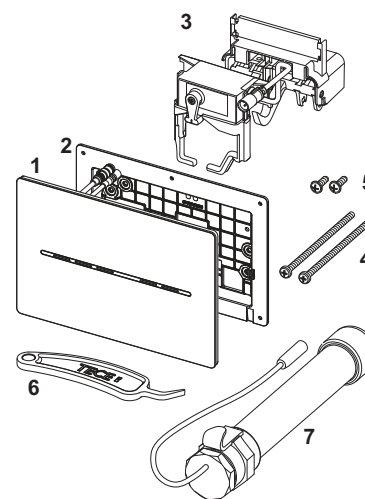
TECESolid toilet flush plate for dual-flush system
 TECESolid toilet flush plate for dual-flush system, with textured surface

Pos.	Item No.	Designation	DU 1
1	9820426	Attachment frame	1 pc.
2	9820263	Fastening screws (2003-2020)	1 pc.
3	9820022	Actuation rods (2003-2020)	1 pc.
4	9820498	"easy fit" actuation rods (from 2021)	1 pc.
5	9820497	"easy fit" attachment screws (from 2021)	1 pc.



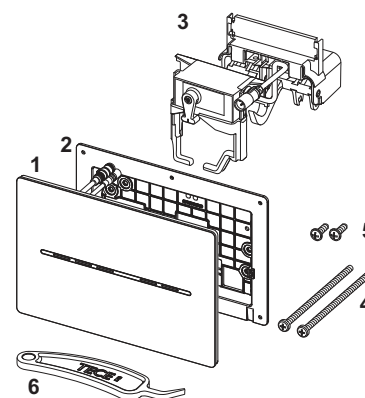
TECESolid toilet electronics with touchless actuation, 6 V battery

Pos.	Item No.	Designation	DU 1
1	9820479	Cover plate bright chrome	1 pc.
	9820480	Cover plate bright white	1 pc.
	9820481	Cover plate white matt	1 pc.
	9820478	Cover plate brushed stainless steel (with anti-fingerprint)	1 pc.
2	9820426	Attachment frame	1 pc.
3	9820493	Actuation motor for TECE cistern	1 pc.
4	9820497	"easy fit" attachment screws (from 2021)	1 pc.
5	9820263	Fastening screws (2003-2020)	1 pc.
6	9820390	Dismounting and programming key	1 pc.
7	9820202	Battery housing, long	1 pc.



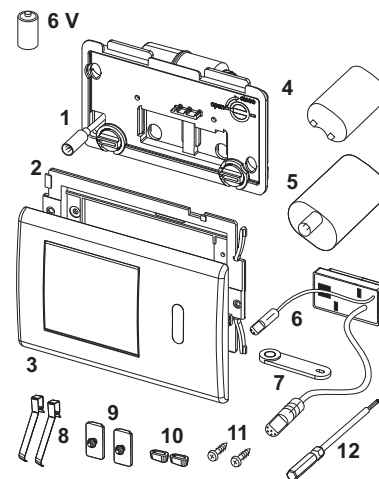
TECESolid toilet electronics with touchless actuation, 12 V mains

Pos.	Item No.	Designation	DU 1
1	9820475	Cover plate bright chrome	1 pc.
	9820476	Cover plate bright white	1 pc.
	9820477	Cover plate white matt	1 pc.
	9820474	Cover plate brushed stainless steel (with anti-fingerprint)	1 pc.
2	9820426	Attachment frame	1 pc.
3	9820493	Actuation motor for TECE cistern	1 pc.
4	9820497	"easy fit" attachment screws (from 2021)	1 pc.
5	9820263	Fastening screws (2003-2020)	1 pc.
6	9820390	Dismounting and programming key	1 pc.



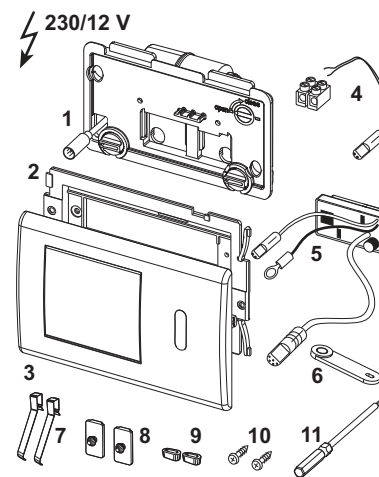
TECEplanus toilet electronics with IR sensor, 6 V battery

Pos.	Item No.	Designation	DU 1
1	9820140	Motor with splash guard	1 pc.
2	9820327	Support frame	1 pc.
3	9820199	Flush plate brushed stainless steel	1 pc.
	9820200	Flush plate, bright chrome	1 pc.
4	9820092	6 V battery 2CR5	1 pc.
5	9820195	Battery housing	1 pc.
6	9820198	IR sensor, 6 V	1 pc.
7	9820080	Programming key	1 pc.
8	9820020	Push-button springs, set of two	1 pc.
9	9820021	Locking rubber	1 pc.
10	9820024	Rubber buffer, set of two	1 pc.
11	9820263	Fastening screws (2003-2020)	1 pc.
12	9820091	Hollow hexagon wrench	1 pc.



TECEplanus toilet electronics with IR sensor, 12 V mains

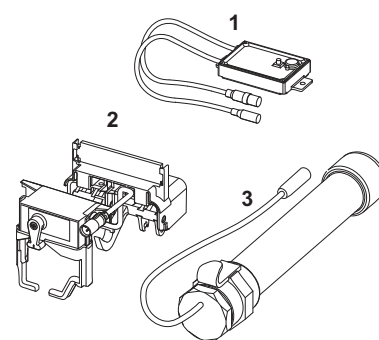
Pos.	Item No.	Designation	DU 1
1	9820140	Motor with splash guard	1 pc.
2	9820327	Support frame	1 pc.
3	9820199	Flush plate brushed stainless steel	1 pc.
	9820200	Flush plate, bright chrome	1 pc.
4	9820094	Mains connection adapter	1 pc.
5	9820201	IR sensor, 12 V	1 pc.
6	9820080	Programming key	1 pc.
7	9820020	Push-button springs, set of two	1 pc.
8	9820021	Locking rubber	1 pc.
9	9820024	Rubber buffer, set of two	1 pc.
10	9820263	Fastening screws (2003-2020)	1 pc.
11	9820091	Hollow hexagon wrench	1 pc.



9240354 – TECEplanus toilet remote release for safety arm support, 6 V battery

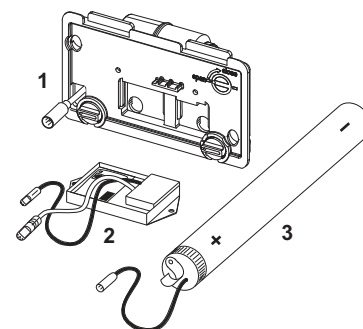
Valid from: September 2019

Pos.	Item No.	Designation	DU 1
1	9820459	Radio electronics battery and mains (from 09/2019)	1 pc.
2	9820493	Actuation motor for TECE cistern	1 pc.
3	9820202	Battery housing, long	1 pc.



Valid till: August 2019

Pos.	Item No.	Designation	DU 1
1	9820140	Motor with splash guard	1 pc.
2	9820203	Radio electronics 6 V (until 08/2019)	1 pc.
3	9820202	Battery housing, long	1 pc.

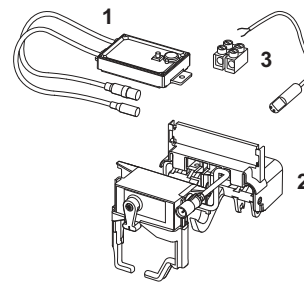


Toilet flush plate – Spare parts

9240355 – TECEplanus toilet remote release for safety arm support, 12 V mains

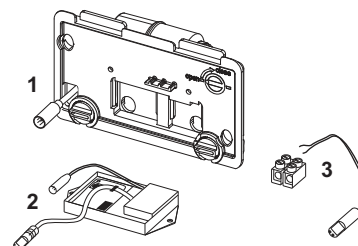
Valid from: September 2019

Pos.	Item No.	Designation	DU 1
1	9820459	Radio electronics battery and mains (from 09/2019)	1 pc.
2	9820493	Actuation motor for TECE cistern	1 pc.
3	9820094	Mains connection adapter	1 pc.



Valid till: August 2019

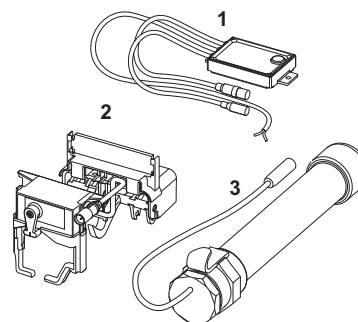
Pos.	Item No.	Designation	DU 1
1	9820140	Motor with splash guard	1 pc.
2	9820204	Radio electronics 12 V (until 08/2019)	1 pc.
3	9820094	Mains connection adapter	1 pc.



9240356 – TECEplanus toilet remote release for cable-connected electronic buttons, 6 V battery

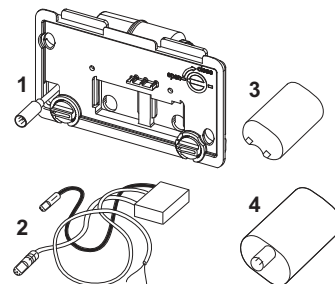
Valid from: January 2020

Pos.	Item No.	Designation	DU 1
1	9820460	Electronics, battery and mains (from 01/2020), cable-connected	1 pc.
2	9820493	Actuation motor for TECE cistern	1 pc.
3	9820202	Battery housing, long	1 pc.



Valid till: December 2019

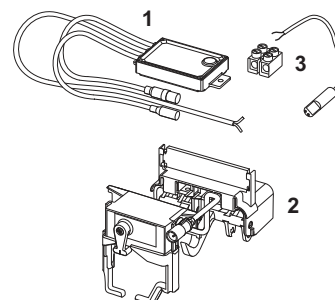
Pos.	Item No.	Designation	DU 1
1	9820140	Motor with splash guard	1 pc.
2	9820205	Electronics 6 V, cable-connected (until 12/2019)	1 pc.
3	9820092	6 V battery 2CR5	1 pc.
4	9820195	Battery housing	1 pc.



9240357 – TECEplanus toilet remote release for cable-connected electronic buttons, 12 V mains

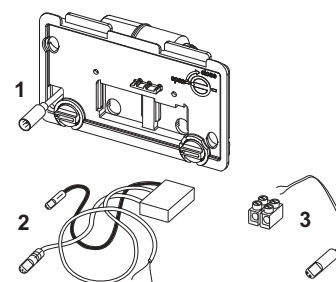
Valid from: January 2020

Pos.	Item No.	Designation	DU 1
1	9820460	Electronics, battery and mains (from 01/2020), cable-connected	1 pc.
2	9820493	Actuation motor for TECE cistern	1 pc.
3	9820094	Mains connection adapter	1 pc.



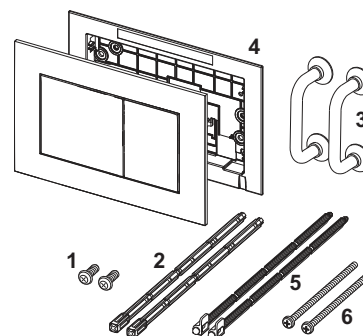
Valid till: December 2019

Pos.	Item No.	Designation	DU 1
1	9820140	Motor with splash guard	1 pc.
2	9820206	Electronics 12 V cable-connected (until 12/2019)	1 pc.
3	9820094	Mains connection adapter	1 pc.



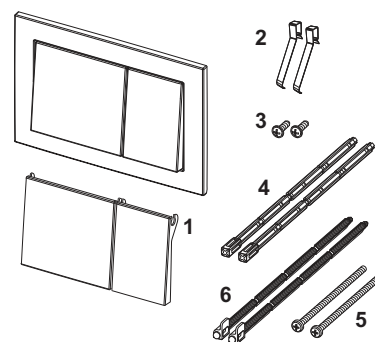
TECEnow toilet flush plate for dual-flush system
TECEnow toilet flush plate for dual-flush system, metallic

Pos.	Item No.	Designation	DU 1
1	9820263	Fastening screws (2003-2020)	1 pc.
2	9820022	Actuation rods (2003-2020)	1 pc.
3	9820180	Bow-type handles	1 pc.
4	9820346	Support frame	1 pc.
5	9820498	“easy fit” actuation rods (from 2021)	1 pc.
6	9820497	“easy fit” attachment screws (from 2021)	1 pc.



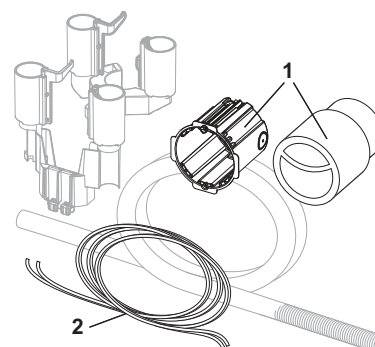
TECEbase toilet flush plate for dual-flush system

Pos.	Item No.	Designation	DU 1
1	9820241	Button set, white	1 pc.
2	9820020	Push-button springs, set of two	1 pc.
3	9820263	Fastening screws (2003-2020)	1 pc.
4	9820022	Actuation rods (2003-2020)	1 pc.
5	9820497	“easy fit” attachment screws (from 2021)	1 pc.
6	9820498	“easy fit” actuation rods (from 2021)	1 pc.



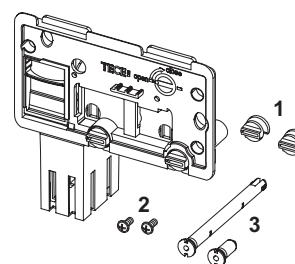
TECEflushpoint pneumatic remote release for cisterns with drain valve A 2, shell set
TECEflushpoint pneumatic remote release for cistern with drain valve A 5, shell set

Pos.	Item No.	Designation	DU 1
1	9820614	Wall socket for dry and brick-wall construction	1 pc.
2	9820615	Pneumatic hose	1 pc.



9240950 – TECE insert chute for cleaning tablets

Pos.	Item No.	Designation	DU 1
1	9820191	Clamping screws set	1 pc.
2	9820263	Fastening screws (2003-2020)	1 pc.
3	9820349	Guide rods for insert chute	1 pc.

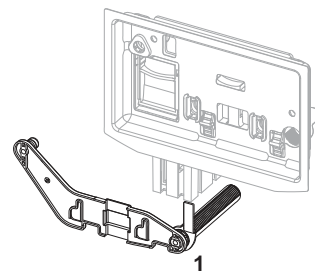


Flush plates

Toilet flush plate – Spare parts

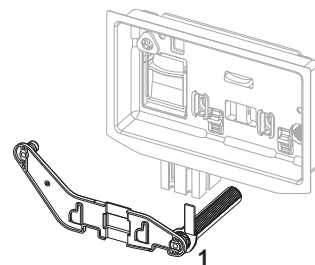
9240951 – TECE insert chute II for cleaning tablets (TECElux Mini, TECESquare glass, TECEvelvet, TECEloop and TECEnow)

Pos.	Item No.	Designation	DU 1
1	9820688	Guide rods for insert chute II	1 pc.



9240952 – TECE insert chute II for cleaning tablets (TECESquare II metal, TECESquare II glass and TECEsolid)

Pos.	Item No.	Designation	DU 1
1	9820693	Guide rods for insert chute II	1 pc.



Sanitary Systems

URINAL FLUSH PLATES

Flush plates

Flush plates





	Page
TECEfilo electronic flushing systems	98
TECESquare	102
TECEloop	104
TECESolid	106
TECEplanus electronic flushing systems	107
TECEnow	109
Accessories	110
Spare parts	111

Urinal flush plate – TECEfilo electronic flushing systems



Valve unit (1.) and Sensor cover (2.)

TECEfilo urinal electronics

The TECEfilo urinal electronics can be used for a power connection 230/12 V mains or 7.2 V battery.

Caution, please order separately:

1. TECEfilo valve unit (230/12 V mains or 7.2 V battery)
2. TECEfilo sensor cover

TECEfilo valve unit 230/12 V mains

Solenoid valve 230/12 V mains with dirt filter; can be used from minimum flow pressure 0.5 bar. For combination with the TECEfilo sensor cover and the flush valve U 2.



Item No.	DU 1	DU 2
9242092	1 pc.	10 pc.

TECEfilo valve unit 7.2 V battery

Solenoid valve 7.2 V battery with dirt filter; can be used from minimum flow pressure 0.5 bar. For combination with the TECEfilo sensor cover and the flush valve U 2, including battery 7.2 V (2 x R6 - AA (3.6 V)).



Item No.	DU 1	DU 2
9242091	1 pc.	10 pc.

TECEfilo sensor cover stainless steel

Fine assembly set for touch-free infrared flush device for combination with the TECEfilo valve unit, suitable for TECE urinal flush valve housing U 2; can be screwed on concealed.

Flush time, water-saving pause function, function for lid urinals, cleaning mode, pre-flush and hygiene interval flush can be set by app.

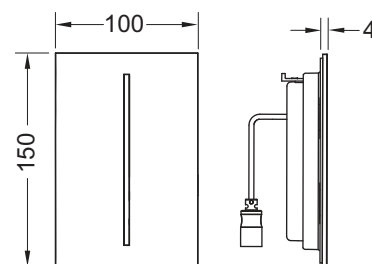
Consisting of:

- Flat screwable cover panel with sensor field
- Mounting material

Dimensions (W x H x D): 100 x 150 x 4 mm

Caution:

- Please order valve unit separately.
- Not compatible with black lid urinals.



Colour	Exhibition samples	Item No.	DU 1	DU 2
Brushed stainless steel (with anti-fingerprint)	Yes	9242068	1 pc.	15 pc.

Information on exhibits is available in the section "Exhibition samples".

Urinal flush plate – TECEfilo electronic flushing systems

TECEfilo sensor cover glass

Fine assembly set for touch-free infrared flush device for combination with the TECEfilo valve unit, suitable for TECE urinal flush valve housing U 2; can be screwed on concealed.

Flush time, water-saving pause function, function for lid urinals, cleaning mode, preflush and hygiene interval flush can be set via app.

Consisting of:

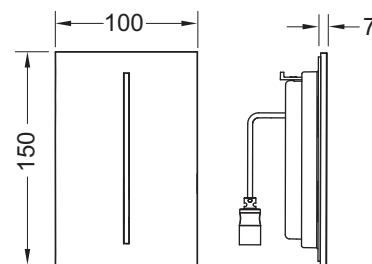
- Flat screw-on cover panel with sensor field
- Mounting material

Suitable for flush-mounted installation in conjunction with the TECEfilo installation frame.

Dimensions (W x H x D): 100 x 150 x 7 mm

Caution:

- Please order valve unit separately.
- Installation frame not included in the scope of delivery.
- Not compatible with black lid urinals.



Colour	Exhibition samples	Item No.	DU 1	DU 2
Polished white glass	Yes	9242064	1 pc.	15 pc.
Polished black glass	—	9242065	1 pc.	15 pc.

Information on exhibits is available in the section "Exhibition samples".

TECEfilo-Velvet sensor cover

Fine assembly set for touch-free infrared flush device for combination with the TECEfilo valve unit, suitable for TECE urinal flush valve housing U 2; with FENIX NTM surfaces (FENIX® by Arpa Industriale); can be screwed on concealed.

Flush time, water-saving pause function, function for lid urinals, cleaning mode, pre-flush and hygiene interval flush can be set by app.

Consisting of:

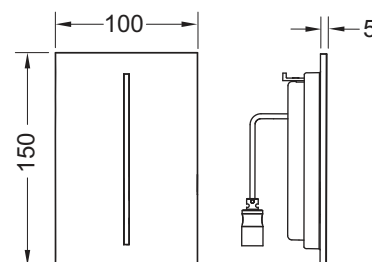
- Flat screwable cover panel with sensor field
- Mounting material

Suitable for flush-mounted installation in conjunction with the TECEfilo installation frame.

Dimensions (W x H x D): 100 x 150 x 5 mm

Caution:

- Please order valve unit separately.
- Installation frame not included in the scope of delivery.
- Not compatible with black lid urinals.



Colour	Matching to	Exhibition samples	Item No.	DU 1	DU 2
White	FENIX NTM® Bianco Kos	—	9242081	1 pc.	15 pc.
Black	FENIX NTM® Nero Ingo	—	9242082	1 pc.	15 pc.
Beige brown	FENIX NTM® Castoro Ottawa	Yes	9242083	1 pc.	15 pc.
Grey beige	FENIX NTM® Beige Arizona	—	9242084	1 pc.	15 pc.
Anthracite	FENIX NTM® Grigio Londra	Yes	9242085	1 pc.	15 pc.
Stone grey	FENIX NTM® Grigio Efeso	—	9242086	1 pc.	15 pc.

Information on exhibits is available in the section "Exhibition samples".

Urinal flush plate – TECEfilo electronic flushing systems

TECEfilo-Solid sensor cover

Fine assembly set for touch-free infrared flush device for combination with the TECEfilo valve unit, suitable for TECE urinal flush valve housing U 2; can be screwed on concealed.

Flush time, water-saving pause function, function for lid urinals, cleaning mode, pre-flush and hygiene interval flush can be set by app.

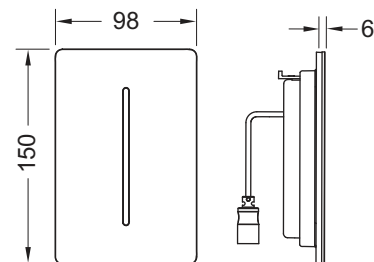
Consisting of:

- Flat screwable cover panel with sensor field
- Mounting material

Dimensions (W x H x D): 98 x 150 x 6 mm

Caution:

- Please order valve unit separately.
- Not compatible with black lid urinals.



Colour	Exhibition samples	Item No.	DU 1	DU 2
Polished white	—	9242072	1 pc.	15 pc.
Matt white	—	9242073	1 pc.	15 pc.
Brushed stainless steel	—	9242074	1 pc.	15 pc.
Brushed stainless steel (with anti-fingerprint)	Yes	9242075	1 pc.	15 pc.
Bright chrome	—	9242076	1 pc.	15 pc.
Matt black	—	9242077	1 pc.	15 pc.

Information on exhibits is available in the section "Exhibition samples".

TECEfilo sensor cover plastic

Fine assembly set for touch-free infrared flush device for combination with the TECEfilo valve unit, suitable for TECE urinal flush valve housing U 2; can be screwed on concealed.

Flush time, water-saving pause function, function for lid urinals, cleaning mode, preflush and hygiene interval flush can be set via app.

Consisting of:

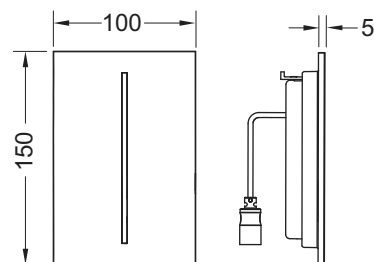
- Flat screw-on cover panel with sensor field
- Mounting material

Suitable for flush-mounted installation in conjunction with the TECEfilo installation frame.

Dimensions (W x H x D): 100 x 150 x 5 mm

Caution:

- Please order valve unit separately.
- Installation frame not included in the scope of delivery.
- Not compatible with black lid urinals.



Colour	Exhibition samples	Item No.	DU 1	DU 2
Polished white	Yes	9242066	1 pc.	15 pc.
Bright chrome	Yes	9242067	1 pc.	15 pc.

Information on exhibits is available in the section "Exhibition samples".

Urinal flush plate – TECEfilo electronic flushing systems

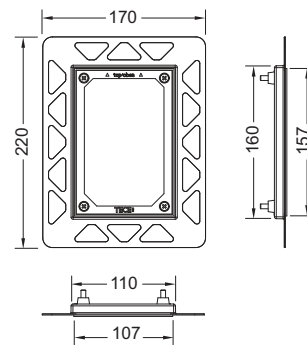
TECEfilo installation frame for flush-mounted installation

Installation set for flush-mounted assembly of TECEfilo glass, TECEfilo plastic and TECEfilo-Velvet urinal electronics in a dry-wall. Depth-adjustable tile frame for wall coverings from 5-18 mm (from 18-33 mm with adjustment bolt - Item No. 9820181). Including disassembly tool for cover panel.

Required for shell installation.

Caution:

For dry-wall installation only. To obtain a clean edge, please use a water jet cutter to prepare the tile cut-out.



Colour	Item No.	DU 1
White	9242041	1 pc.
Black	9242042	1 pc.
Bright chrome	9242040	1 pc.

Urinal flush plate – TECESquare

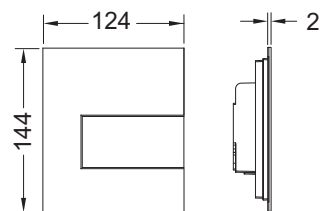
TECESquare urinal flush plate metal including cartridge

Fine assembly set for TECE flush valve housing U 1;
 Flush valve categories 1.5 and 4 (EN 12541);
 Adjustable flush volume 1, 2 or 4 litres;
 Usable from 0.5 bar minimum flow pressure.

Consisting of:

- Flush valve cartridge
- Extremely flat metal flush plate, installation height 2 mm
- Actuation rod and mounting materials

Dimensions (W x H x D): 124 x 144 x 2 mm



Installation only in combination with the urinal installation frame (Item No. 9242647), please order separately!

Colour	Exhibition samples	Item No.	DU 1	DU 2
Brushed stainless steel (with anti-fingerprint)	Yes	9242810	1 pc.	10 pc.
Bright chrome	Yes	9242811	1 pc.	10 pc.
Polished white	Yes	9242812	1 pc.	10 pc.
Matt white	—	9242814	1 pc.	10 pc.
Matt black	Yes	9242813	1 pc.	10 pc.

Information on exhibits is available in the section "Exhibition samples".

TECESquare urinal flush plate glass including cartridge

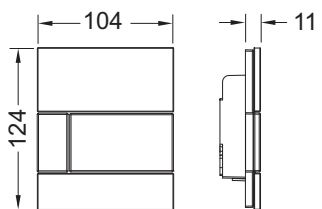
Fine assembly set for TECE flush valve housing U 1;
 Flush valve categories 1.5 and 4 (EN 12541);
 Adjustable flush volume 1, 2 or 4 litres;
 Usable from 0.5 bar minimum flow pressure.

Consisting of:

- Flush valve cartridge with automatic jet cleaning needle
- Flat glass flush plate
- Actuation rod and mounting material

Suitable for flush-mounted installation in combination with urinal installation frame.

Dimensions (W x H x D): 104 x 124 x 11 mm



Urinal installation frame for flush-mounted installation (Item No. 9242647) not included in the scope of delivery.

Colour	Exhibition samples	Item No.	DU 1	DU 2
Polished white glass, polished white button	Yes	9242800	1 pc.	15 pc.
Polished white glass, brushed stainless steel-look button (with anti-fingerprint)	—	9242801	1 pc.	15 pc.
Polished white glass, bright chrome button	Yes	9242802	1 pc.	15 pc.
Polished black glass, brushed stainless steel-look button (with anti-fingerprint)	Yes	9242806	1 pc.	15 pc.
Polished black glass, bright chrome button	—	9242807	1 pc.	15 pc.
Polished black glass, polished black button	—	9242809	1 pc.	15 pc.

Information on exhibits is available in the section "Exhibition samples".

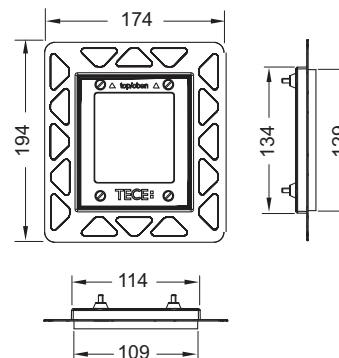
TECE urinal installation frame for flush-mounted installation

Installation kit for flush-mounted installation of the urinal flush plate TECEnow/TECEloop/TECESquare glass and for the installation of TECESquare metal in a dry-wall construction. Depth-adjustable tile frame for wall coverings from 5-18 mm (from 18-33 mm with adjustment bolt 9820181). Incl. disassembly tool for flush plate.

Required during shell assembly.

Caution: For dry-wall installation only!

To obtain a clean edge, please use a water jet cutter to prepare the tile cut-out.



Colour	Exhibition samples	Item No.	DU 1	DU 2
White	—	9242646	1 pc.	40 pc.
Black	—	9242647	1 pc.	40 pc.
Bright chrome	Yes	9242649	1 pc.	40 pc.
Gold plated	—	9242648	1 pc.	40 pc.

Information on exhibits is available in the section "Exhibition samples".

Urinal flush plate – TECEloop

TECEloop urinal flush plate glass including cartridge

Fine assembly set for TECE flush valve housing U 1;
flush valve category 1.5 and 4 (EN 12541);
adjustable flush volume 1, 2 or 4 litres;
usable from 0.5 bar minimum flow pressure.

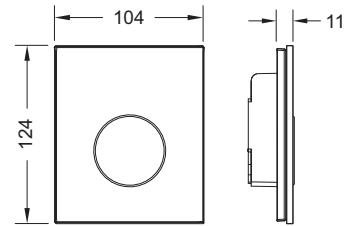
Consisting of:

- Flush valve cartridge
- Flat glass flush plate
- Actuation rod and mounting materials

Suitable for flush-mounted installation in combination with the urinal installation frame.

Dimensions (W x H x D): 104 x 124 x 11 mm

Urinal installation frame for flush-mounted installation (Item No. 9242649) not included in the scope of delivery.



Colour	Exhibition samples	Item No.	DU 1	DU 2
Polished white glass, polished white button	Yes	9242650	1 pc.	15 pc.
Polished white glass, matt chrome button	Yes	9242659	1 pc.	15 pc.
Polished white glass, bright chrome button	Yes	9242660	1 pc.	15 pc.
Polished white glass, brushed stainless steel-look button (with anti-fingerprint)	—	9242661	1 pc.	15 pc.
Polished black glass, polished white button	Yes	9242654	1 pc.	15 pc.
Polished black glass, matt chrome button	Yes	9242655	1 pc.	15 pc.
Polished black glass, bright chrome button	Yes	9242656	1 pc.	15 pc.
Polished black glass, brushed stainless steel-look button (with anti-fingerprint)	—	9242663	1 pc.	15 pc.
Polished black glass, polished black button	Yes	9242657	1 pc.	15 pc.

Information on exhibits is available in the section "Exhibition samples".

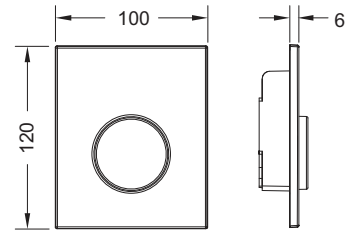
TECEloop urinal flush plate plastic including cartridge

Fine assembly set for TECE flush valve housing U 1;
 Flush valve categories 1.5 and 4 (EN 12541);
 Adjustable flush volume 1, 2 or 4 litres;
 Usable from 0.5 bar minimum flow pressure.

Consisting of:

- Flush valve cartridge
- Extremely flat plastic flush plate
- Actuation rod and mounting materials

Dimensions (W x H x D): 100 x 120 x 6 mm



Colour	Item No.		DU 1	DU 2
Polished white	9242600		1 pc.	15 pc.
Polished white, bright chrome button	9242627	SALE	1 pc.	15 pc.
Matt chrome	9242625		1 pc.	15 pc.
Bright chrome	9242626		1 pc.	15 pc.

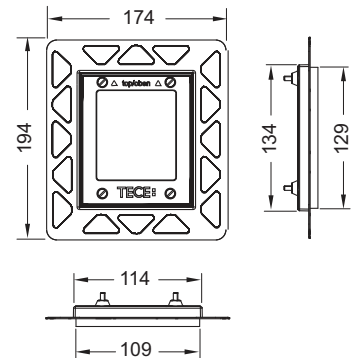
TECE urinal installation frame for flush-mounted installation

Installation kit for flush-mounted installation of the urinal flush plate TECEnow/TECEloop/TECESquare glass and for the installation of TECESquare metal in a dry-wall construction. Depth-adjustable tile frame for wall coverings from 5-18 mm (from 18-33 mm with adjustment bolt 9820181). Incl. disassembly tool for flush plate.

Required during shell assembly.

Caution: For dry-wall installation only!

To obtain a clean edge, please use a water jet cutter to prepare the tile cut-out.



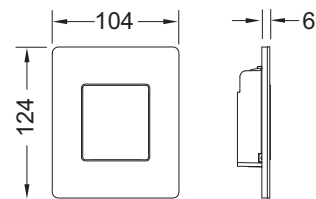
Colour	Exhibition samples	Item No.	DU 1	DU 2
White	—	9242646	1 pc.	40 pc.
Black	—	9242647	1 pc.	40 pc.
Bright chrome	Yes	9242649	1 pc.	40 pc.
Gold plated	—	9242648	1 pc.	40 pc.

Information on exhibits is available in the section "Exhibition samples".

Urinal flush plate – TECEsolid

TECEsolid urinal flush plate including cartridge

Fine assembly set for TECE flush valve housing U 1; flush valve category 1.5 and 4 (EN 12541); adjustable flush volume 1, 2 or 4 litres; usable from 0.5 bar minimum flow pressure; flush plate that screws in covertly.



Consisting of:

- Flush valve cartridge
- Especially flat flush plate made of metal, installation height 6 mm
- Actuation rod and mounting materials

Dimensions (W x H x D): 104 x 124 x 6 mm

Colour	Exhibition samples	Item No.	DU 1	DU 2
Polished white	—	9242432	1 pc.	15 pc.
Matt white	—	9242433	1 pc.	15 pc.
Brushed stainless steel	—	9242430	1 pc.	15 pc.
Brushed stainless steel (with anti-fingerprint)	Yes	9242434	1 pc.	15 pc.
Bright chrome	—	9242431	1 pc.	15 pc.
Matt black	—	9242435	1 pc.	15 pc.

Information on exhibits is available in the section "Exhibition samples".

TECEsolid concealed screws

Concealed screw connection for anti-theft protection of TECEsolid flush plate, includes assembly tool.



Item No.	DU 1
9240442	1 pc.

Urinal flush plate – TECEplanus electronic flushing systems

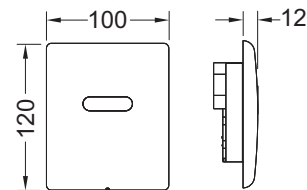
TECEplanus urinal electronics 6 V battery

Fine assembly set for contactless infrared flush device, suitable for TECE urinal flush valve housing U 1; usable from 0.5 bar minimum flow pressure; flush time, water-saving pause function, cleaning mode, pre-flush and hygiene flush can be set.

Consisting of:

- Magnetic valve with dirt filter
- Battery 6 V (2CR5)
- Screw-down metal cover with sensor field
- Attachment hardware
- Programming key

Dimensions (W x H x D): 100 x 120 x 12 mm



Colour	Exhibition samples	Item No.	DU 1	DU 2
Silk matt white	Yes	9242354	1 pc.	10 pc.
Brushed stainless steel	Yes	9242350	1 pc.	10 pc.
Bright chrome	Yes	9242351	1 pc.	10 pc.
Polished white	—	9242356	1 pc.	10 pc.

Information on exhibits is available in the section "Exhibition samples".

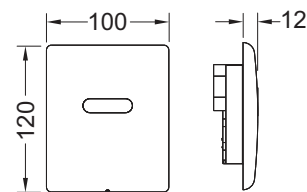
TECEplanus urinal electronics, 12 V mains

Fine assembly set for contactless infrared flush system. Suitable for TECE urinal flush valve housing U 1. Usable from 0.5 bar minimum flow pressure. Flush time, water-saving stop function, cleaning mode, pre-flush and hygiene flush can be set.

Consisting of:

- Solenoid valve with large dirt filter
- Screw-down metal cover with sensor field
- Mounting material
- Programming key
- Mains operated via external 230/12 V transformer (not included in scope of delivery)

Dimensions (W x H x D): 100 x 120 x 12 mm



Please order separately:

- TECEplanus 230/12 V transformer – Item No. 9810003
- TECEplanus 12 V connection cable – Item No. 9810004

Colour	Exhibition samples	Item No.	DU 1	DU 2
Silk matt white	Yes	9242355	1 pc.	10 pc.
Brushed stainless steel	Yes	9242352	1 pc.	10 pc.
Bright chrome	Yes	9242353	1 pc.	10 pc.
Polished white	—	9242357	1 pc.	10 pc.

Information on exhibits is available in the section "Exhibition samples".

Urinal flush plate – TECEplanus electronic flushing systems

TECEplanus transformer for 230/12 V mains electronics, toilet/urinal

For installation in standard flush-mounted boxes with \varnothing 60 mm, up to 5 urinal electronics or 1 toilet electronics can be connected.

Electrical connection: 230 V

Output: 12 V DC



Item No.	DU 1
9810003	1 pc.

TECEplanus connection cable for 12 V mains electronics, toilet/urinal

Twin-core connection cable, length 10 m.



Item No.	DU 1
9810004	1 pc.

TECEnow urinal flush plate including cartridge

Fine assembly set for TECE flush valve housing U 1; flush valve category 1.5 and 4 (EN 12541); adjustable flush volume 1, 2 or 4 litres; usable from 0.5 bar minimum flow pressure.

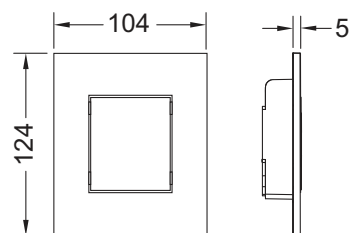
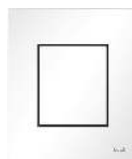
Consisting of:

- Flush valve cartridge
- Extra-flat flush plate made of plastic, installation height 5 mm
- Actuation rod and mounting materials

Suitable for flush-mounted installation in combination with the urinal installation frame.

Dimensions (W x H x D): 104 x 124 x 5 mm

Urinal installation frame for flush-mounted installation (Item No. 9242649) not included in the scope of delivery.



Colour	Exhibition samples	Item No.	DU 1	DU 2
Polished white	Yes	9242400	1 pc.	15 pc.
Matt white	—	9242407	1 pc.	15 pc.
White, antibacterial	—	9242405	1 pc.	15 pc.
Bright chrome	Yes	9242401	1 pc.	15 pc.
Matt chrome	Yes	9242402	1 pc.	15 pc.
Polished black	—	9242403	1 pc.	15 pc.
Matt black	—	9242406	1 pc.	15 pc.

Information on exhibits is available in the section "Exhibition samples".

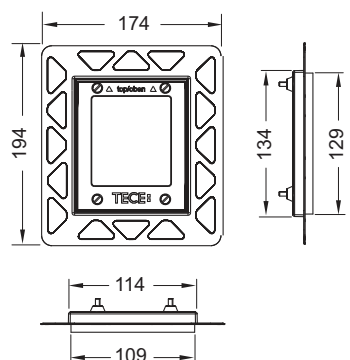
TECE urinal installation frame for flush-mounted installation

Installation kit for flush-mounted installation of the urinal flush plate TECEnow/TECEloop/TECESquare glass and for the installation of TECESquare metal in a dry-wall construction. Depth-adjustable tile frame for wall coverings from 5-18 mm (from 18-33 mm with adjustment bolt 9820181). Incl. disassembly tool for flush plate.

Required during shell assembly.

Caution: For dry-wall installation only!

To obtain a clean edge, please use a water jet cutter to prepare the tile cut-out.



Colour	Exhibition samples	Item No.	DU 1	DU 2
White	—	9242646	1 pc.	40 pc.
Black	—	9242647	1 pc.	40 pc.
Bright chrome	Yes	9242649	1 pc.	40 pc.
Gold plated	—	9242648	1 pc.	40 pc.

Information on exhibits is available in the section "Exhibition samples".

Urinal flush plate – Accessories

TECE extension set for TECE urinal flush plates

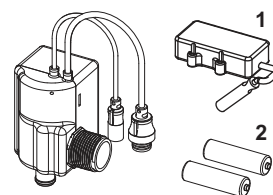
For extending attachment and actuation rods by max. 13 cm. For flush valve housing U 1.



Item No.	DU 1
9820095	1 pc.

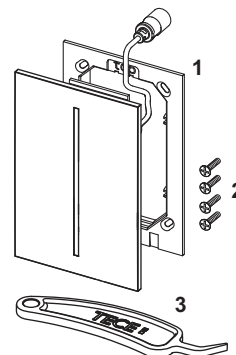
TECEfilo valve unit 7.2 V battery

Pos.	Item No.	Designation	DU 1
1	9820546	Battery holder	1 pc.
2	9820545	Batteries (2 x R6 - AA (3.6 V))	1 pc.



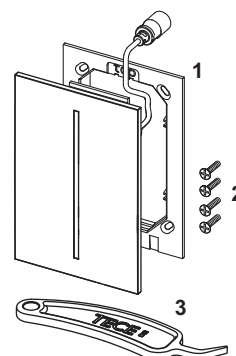
TECEfilo sensor cover stainless steel TECEfilo sensor cover glass

Pos.	Item No.	Designation	DU 1
1	9820645	Mounting frame TECEfilo glass and metal	1 pc.
2	9820554	Fastening screws	1 pc.
3	9820390	Dismounting and programming key	1 pc.



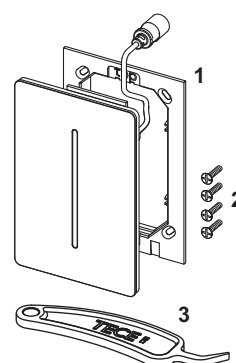
TECEfilo-Velvet sensor cover

Pos.	Item No.	Designation	DU 1
1	9820646	Mounting frame TECEfilo plastic	1 pc.
2	9820554	Fastening screws	1 pc.
3	9820390	Dismounting and programming key	1 pc.



TECEfilo-Solid sensor cover

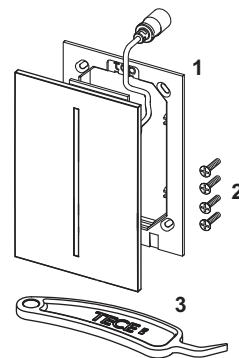
Pos.	Item No.	Designation	DU 1
1	9820647	Mounting frame TECEfilo-Solid grey	1 pc.
	9820648	Mounting frame TECEfilo-Solid black	1 pc.
	9820649	Mounting frame TECEfilo-Solid white	1 pc.
2	9820554	Fastening screws	1 pc.
3	9820390	Dismounting and programming key	1 pc.



Urinal flush plate – Spare parts

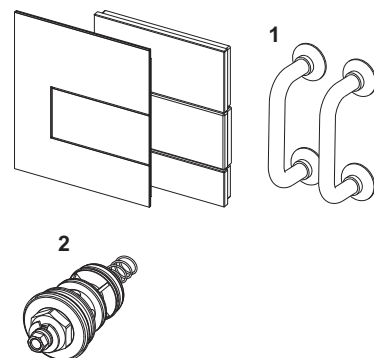
TECEfilo sensor cover plastic

Pos.	Item No.	Designation	DU 1
1	9820646	Mounting frame TECEfilo plastic	1 pc.
2	9820554	Fastening screws	1 pc.
3	9820390	Dismounting and programming key	1 pc.



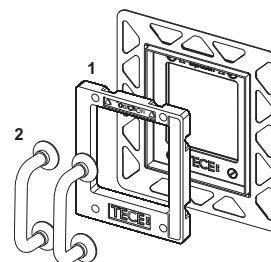
TECESquare urinal flush plate metal including cartridge TECESquare urinal flush plate glass including cartridge

Pos.	Item No.	Designation	DU 1
1	9820180	Bow-type handles	1 pc.
2	9820031	Flush valve cartridge U 1	1 pc.



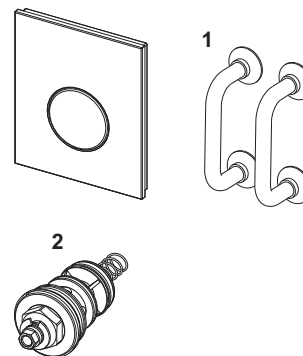
TECE urinal installation frame for flush-mounted installation

Pos.	Item No.	Designation	DU 1
1	9820197	Urinal support frame for flush-mounted installation	1 pc.
2	9820180	Bow-type handles	1 pc.



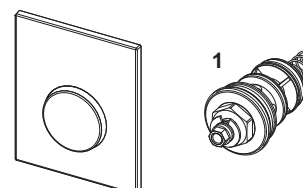
TECEloop urinal flush plate glass including cartridge

Pos.	Item No.	Designation	DU 1
1	9820180	Bow-type handles	1 pc.
2	9820031	Flush valve cartridge U 1	1 pc.



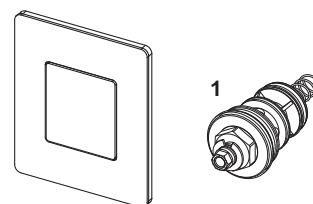
TECEloop urinal flush plate plastic including cartridge

Pos.	Item No.	Designation	DU 1
1	9820031	Flush valve cartridge U 1	1 pc.



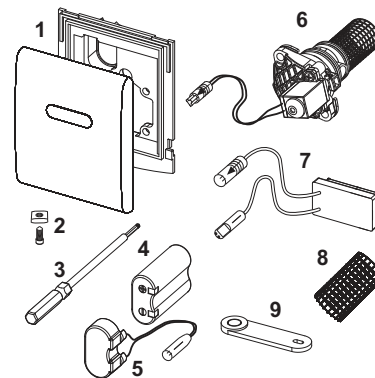
TECEsolid urinal flush plate including cartridge

Pos.	Item No.	Designation	DU 1
1	9820031	Flush valve cartridge U 1	1 pc.



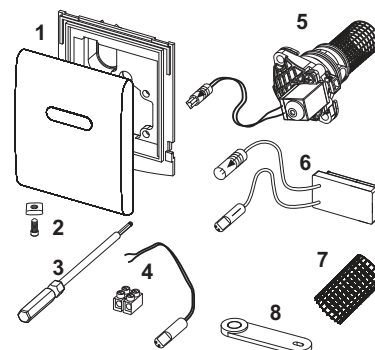
TECEplanus urinal electronics 6 V battery

Pos.	Item No.	Designation	DU 1
1	9820085	Cover plate, brushed stainless steel	1 pc.
	9820086	Cover plate, bright chrome	1 pc.
	9820098	Cover plate, white silk matt	1 pc.
2	9820097	Fastening screw	1 pc.
3	9820091	Hollow hexagon wrench	1 pc.
4	9820092	6 V battery 2CR5	1 pc.
5	9820093	Battery connection adapter	1 pc.
6	9820089	Urinal cartridge electronic for flushing valve U 1	1 pc.
7	9820087	Infra-red sensor 6 V battery	1 pc.
8	9820090	Grate bar	1 pc.
9	9820080	Programming key	1 pc.



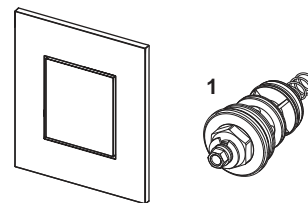
TECEplanus urinal electronics, 12 V mains

Pos.	Item No.	Designation	DU 1
1	9820085	Cover plate, brushed stainless steel	1 pc.
	9820086	Cover plate, bright chrome	1 pc.
	9820098	Cover plate, white silk matt	1 pc.
2	9820097	Fastening screw	1 pc.
3	9820091	Hollow hexagon wrench	1 pc.
4	9820094	Mains connection adapter	1 pc.
5	9820089	Urinal cartridge electronic for flushing valve U 1	1 pc.
6	9820088	Infra-red sensor 12 V mains	1 pc.
7	9820090	Grate bar	1 pc.
8	9820080	Programming key	1 pc.



TECEnow urinal flush plate including cartridge

Pos.	Item No.	Designation	DU 1
1	9820031	Flush valve cartridge U 1	1 pc.





Sanitary Systems

SANITARY MODULES

Sanitary Modules





	Page
TECEprofil	119
TECEconstruct	185
TECEbox	195

Sanitary Systems

TECEprofil DRY-WALL MODULES

Sanitary Modules



	Page
Toilet modules with Uni cistern	122
Toilet modules with Compact 320 cistern	134
Toilet modules with Octa II cistern	135
Washstand modules	138
Urinal modules	146
Bath/shower module	149
Bidet modules	150
Accessories	152
Spare parts case	163
Spare parts	165

An overview of valid Declaration of Performance (DoP) is available on our website www.tece.com.

Notes:

DU 1 = minimum order quantity per item; sometimes it is not possible to order smaller quantities for technical reasons

DU 2 = Euro palette for modules

TECEprofil – Toilet modules with Uni cistern

TECEprofil toilet module with Uni cistern, installation height 1120 mm

Toilet module including “easy fit” flush plate installation and conduit to connect electronic shower toilets. For fitting to TECEprofil section tubes or for installation in metal or wooden stud walls and as a pre-wall or corner module; also suitable for single block assembly.

Uni cistern for front actuation:

- Safety tank made of impact-resistant plastic, tested to EN 14055
- Cistern fully pre-assembled and sealed
- Cistern connection with outer thread R 1/2" at the side, compatible with quick adapters
- 10 litre tank volume; 6 litre pre-set standard flush volume, 4.5/7.5/9 litre flush volume can be set at any time; 3 litre partial flush volume for dual-flush system; optional setting of a 4/2 litre flush volume possible; remaining volume can be used for immediate cleaning flush.
- Insulated against condensation water
- For TECE flush plates and toilet flush handle
- Can be used as a single or dual-flush cistern
- “easy fit” flush plate installation
- Installation tunnel for service opening, can be shortened without tools
- Low-noise hydraulic filling valve, fitting group 1 according to DIN 4109
- Flow control throttle without removing the drain valve

Module frame:

- Self-supporting, powder-coated
- Two M 12 retaining bolts and nuts
- Toilet drain bend DN 90 with joint adapter DN 90/100, made of PP
- Joint adapter also suitable for horizontal installation
- Toilet connection set DN 90
- WC connection box including shell protection and conduit for universal shower WC connection (check position), with junction box and cover for transformer.

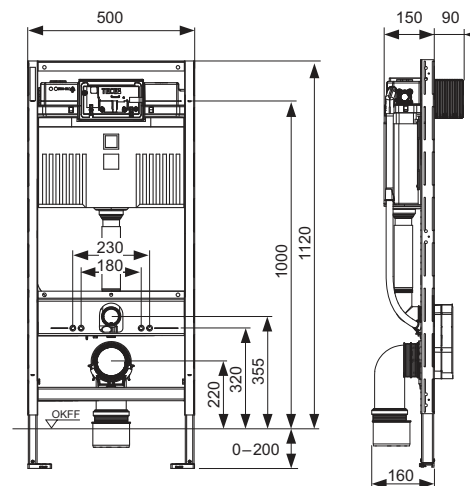
A raised ceramic attachment for a sitting height of 48 cm can be added in keeping with German standard DIN 18040 (DIN 18040: Barrier-free construction - Part 1: Publicly accessible buildings and workplaces).

Please order separately:

- Toilet flush plate (see flush plates)
- Fitting for pre-wall, corner or wooden stud wall structures
- Insert chute for cleaning tablets (optional)
- TECE upgrade set dry-wall for TECE shower toilets (optional)

Note:

If toilet ceramics with a reduced supporting surface are used (= distance from middle of fixing bolt to lower edge of supporting surface is not larger than 18 cm) - e.g. V & B Memento, Subway 2.0 - it is necessary to install the steel brace set 9041029 in the lower build space.



Item No.	DU 1	DU 2	DU 3
9300300	1 pc.	10 pc.	20 pc.

TECEprofil toilet module with Uni cistern, installation height 1120 mm

Toilet module including “easy fit” flush plate installation. For fitting to TECEprofil section tubes or for installation in metal or wooden stud walls and as a pre-wall or corner module; also suitable for single block assembly.

Uni cistern for front actuation:

- Safety tank made of impact-resistant plastic, tested to EN 14055
- Cistern fully pre-assembled and sealed.
- Cistern connection with outer thread R 1/2" at the side, compatible with quick adapters
- 10 litre tank volume; 6 litre pre-set standard flush volume, 4.5/7.5/9 litre flush volume can be set at any time; 3 litre partial flush volume for dual-flush system; optional setting of a 4/2 litre flush volume possible; remaining volume can be used for immediate cleaning flush.
- Insulated against condensation water
- For TECE flush plates and toilet flush handle
- Can be used as a single or dual-flush cistern
- “easy fit” flush plate installation
- Installation tunnel for service opening, can be shortened without tools
- Low-noise hydraulic filling valve, fitting group 1 according to DIN 4109
- Flow control throttle without removing the drain valve

Module frame:

- Self-supporting, powder-coated
- Two M 12 retaining bolts and nuts
- Toilet drain bend DN 90 with joint adapter DN 90/100, made of PP
- Joint adapter also suitable for horizontal installation
- Toilet connection set DN 90

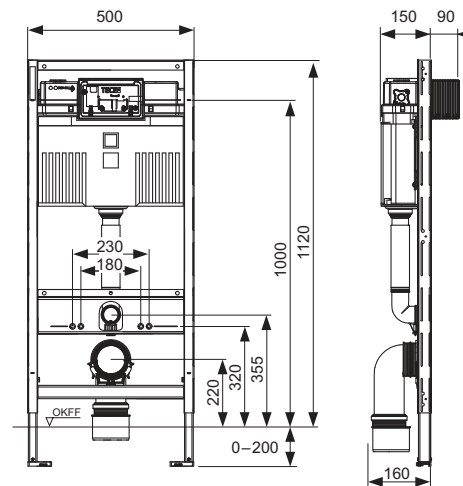
A raised ceramic attachment for a sitting height of 48 cm can be added in keeping with German standard DIN 18040 (DIN 18040: Barrier-free construction - Part 1: Publicly accessible buildings and workplaces).

Please order separately:

- Toilet flush plate (see flush plates)
- Fitting for pre-wall, corner or wooden stud wall structures
- Insert chute for cleaning tablets (optional)
- TECE upgrade set dry-wall for TECE shower toilets (optional)

Note:

If toilet ceramics with a reduced supporting surface are used (= distance from middle of fixing bolt to lower edge of supporting surface is not larger than 18 cm) - e.g. V & B Memento, Subway 2.0 - it is necessary to install the steel brace set 9041029 in the lower build space.



Item No.	DU 1	DU 2	DU 3
9300302	1 pc.	10 pc.	60 pc.

TECEprofil – Toilet modules with Uni cistern

TECEprofil toilet module with Uni cistern, installation height 980 mm

Toilet module including “easy fit” flush plate installation and conduit to connect electronic shower toilets. For attaching to TECEprofil section tubes or as pre-wall or corner modules.

Uni cistern for front or top actuation:

- Safety tank made of impact-resistant plastic, tested to EN 14055
- Cistern fully pre-assembled and sealed
- Cistern connection with outer thread R 1/2" at the side, compatible with quick adapters
- 10 litre tank volume; 6 litre pre-set standard flush volume, 4.5/7.5/9 litre flush volume can be set at any time; 3 litre partial flush volume for dual-flush system; optional setting of a 4/2 litre flush volume possible; remaining volume can be used for immediate cleaning flush.
- Insulated against condensation water
- For TECE flush plates and toilet flush handle
- Can be used as a single or dual-flush cistern
- “easy fit” flush plate installation
- Installation tunnel for service opening, can be shortened without tools
- Low-noise hydraulic filling valve, fitting group 1 according to DIN 4109
- Flow control throttle without removing the drain valve

Module frame:

- Self-supporting, powder-coated
- Two M 12 retaining bolts and nuts
- Two depth-adjustable module attachments
- Toilet drain bend DN 90 with joint adapter DN 90/100, made of PP
- Joint adapter also suitable for horizontal installation
- Toilet connection set DN 90
- WC connection box including shell protection and conduit for universal shower WC connection (check position), with junction box and cover for transformer.

Please order separately:

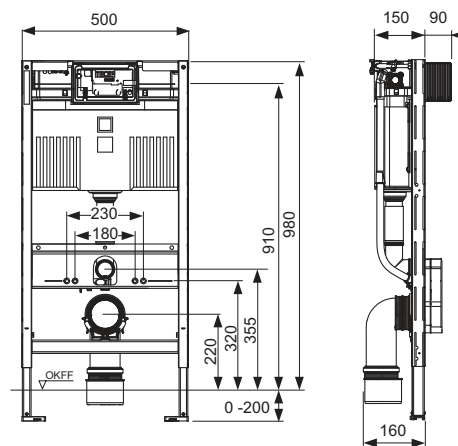
- Toilet flush plate (see flush plates)
- Insert chute for cleaning tablets (optional, front actuation only)
- TECE upgrade set dry-wall for TECE shower toilets (optional)

Note:

If toilet ceramics with a reduced supporting surface are used (= distance from middle of fixing bolt to lower edge of supporting surface is not larger than 18 cm) - e.g. V & B Memento, Subway 2.0 - it is necessary to install the steel brace set 9041029 in the lower build space.

Caution:

If the flush plate is fitted in front of cisterns with low installation height and a compact ceramic is used, the toilet lid may occasionally drop down unintentionally. When using compact ceramics fit the flush plate with top actuation only.



Item No.	DU 1	DU 2	DU 3
9300322	1 pc.	10 pc.	20 pc.

TECEprofil toilet module with Uni cistern, installation height 820 mm

Toilet module including “easy fit” flush plate installation and conduit to connect electronic shower toilets. For attaching to TECEprofil section tubes or as pre-wall or corner modules.

Uni cistern for front or top actuation:

- Safety tank made of impact-resistant plastic, tested to EN 14055
- Cistern fully pre-assembled and sealed
- Cistern connection with outer thread R 1/2" at the side, compatible with quick adapters
- 10 litre tank volume; 6 litre pre-set standard flush volume, 4.5/7.5/9 litre flush volume can be set at any time; 3 litre partial flush volume for dual-flush system; optional setting of a 4/2 litre flush volume possible; remaining volume can be used for immediate cleaning flush.
- Insulated against condensation water
- For TECE flush plates and toilet flush handle
- Can be used as a single or dual-flush cistern
- “easy fit” flush plate installation
- Installation tunnel for service opening, can be shortened without tools
- Low-noise hydraulic filling valve, fitting group 1 according to DIN 4109
- Flow control throttle without removing the drain valve

Module frame:

- Self-supporting, powder-coated
- Two M 12 retaining bolts and nuts
- Toilet drain bend DN 90 with joint adapter DN 90/100, made of PP
- Joint adapter also suitable for horizontal installation
- Toilet connection set DN 90
- WC connection box including shell protection and conduit for universal shower WC connection (check position), with junction box and cover for transformer.

Please order separately:

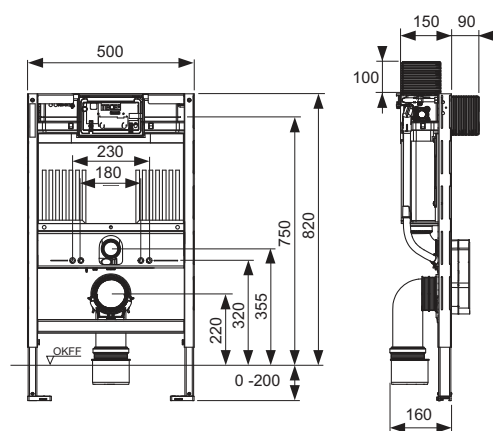
- Toilet flush plate (see flush plates)
- Insert chute for cleaning tablets (optional, front actuation only)
- TECE upgrade set dry-wall for TECE shower toilets (optional)

Note:

If toilet ceramics with a reduced supporting surface are used (= distance from middle of fixing bolt to lower edge of supporting surface is not larger than 18 cm) - e.g. V & B Memento, Subway 2.0 - it is necessary to install the steel brace set 9041029 in the lower build space.

Caution:

If the flush plate is fitted in front of cisterns with low installation height and a compact ceramic is used, the toilet lid may occasionally drop down unintentionally. When using compact ceramics fit the flush plate with top actuation only.



Item No.	DU 1	DU 2	DU 3
9300301	1 pc.	10 pc.	20 pc.

TECEprofil – Toilet modules with Uni cistern

TECEprofil toilet module with Uni cistern and variable height adjustment of the lower installation space, installation height 1120 mm NEW

Toilet module including “easy fit” flush plate mounting and conduit for connecting electronic shower toilets. For fixing to TECEprofil section tubes or for installation in metal or wooden stud walls and as a pre-wall or corner module; also suitable for single block assembly.

Uni cistern for front actuation:

- Safety tank made of impact-resistant plastic, tested to EN 14055
- Cistern fully pre-assembled and sealed
- Cistern connection with outer thread R 1/2" at the side, compatible with quick adapters
- 10 litre tank volume; 6 litre pre-set standard flush volume, 4.5/7.5/9 litre flush volume can be set at any time; 3 litre partial flush volume for dual-flush system; optional setting of a 4/2 litre flush volume possible; remaining volume can be used for immediate cleaning flush.
- Insulated against condensation water
- For TECE flush plates and toilet flush handle
- Can be used as a single or dual-flush cistern
- “easy fit” flush plate installation
- Installation tunnel for service opening, can be shortened without tools
- Low-noise hydraulic filling valve, fitting group 1 according to DIN 4109
- Flow control throttle without removing the drain valve

Module frame:

- Lower installation space for ceramic connection, independent of module height, height-adjustable by 6 cm during shell installation.
- Self-supporting, powder-coated
- Two retaining bolts and M 12 nuts
- Toilet drain bend DN 90 with transition adapter DN 90/100 made of PP
- Joint adapter also suitable for horizontal installation
- Toilet connection set DN 90
- Toilet connection box including bare-wall protection and conduit for universal shower toilet connection (check position), with junction box and cover for transformer.

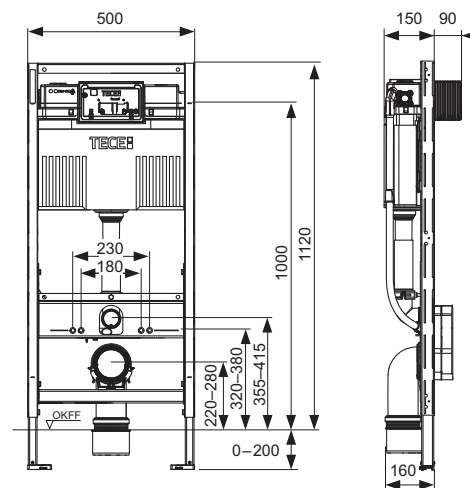
A raised ceramic attachment for a sitting height of 48 cm can be added in keeping with German standard DIN 18040 (DIN 18040: Barrier-free construction - Part 1: Publicly accessible buildings and workplaces).

Please order separately:

- Toilet flush plate (see flush plates)
- Fitting for pre-wall, corner or wooden stud wall structures
- Insert chute for cleaning tablets (optional)
- TECE upgrade set dry-wall for TECE shower toilets (optional)

Note:

When using toilet ceramics with a reduced supporting surface (= distance from the centre of the mounting bolt to the lower edge of the support surface not greater than 18 cm) – e.g. V & B Memento, Subway 2.0 – the steel brace set 9041029 must be installed in the lower installation space.



Item No.		DU 1	DU 2	DU 3
9300307*	NEW	1 pc.	10 pc.	20 pc.

TECEprofil toilet module with Uni 750-cistern, installation height 750 mm

Toilet module including “easy fit” flush plate assembly. For fitting to TECEprofil section tubes or for installation in metal or wooden stud-and-beam walls and as a pre-wall or corner module; also suitable for single block assembly.

Uni 750-cistern for actuation from above:

- Safety tank made of impact-resistant plastic, tested according to EN 14055
- Cistern fully pre-assembled and sealed
- Cistern connection with external thread R 1/2" on the side, compatible with quick adapters
- 8 litre tank volume; 6 litre pre-set standard flush volume, 4.5 litre flush volume can be set at any time; 3 litre partial flush volume for dual; immediate cleaning for dual-flush system; residual volume can be used for immediate cleaning flush.
- Insulated against condensation water
- For TECE flush plates and toilet flush handle
- Can be used as a single-flush or dual-flush cistern
- "easy fit" flush plate mounting
- Installation tunnel for service opening, can be shortened without tools
- Low-noise hydraulic filling valve, acoustic group 1 according to DIN 4109

Module frame:

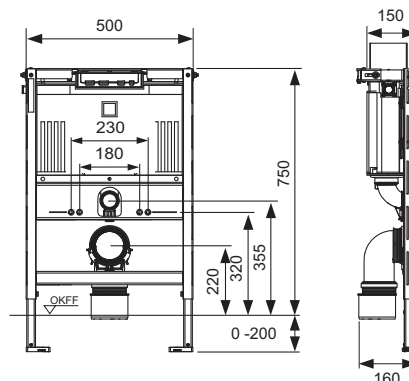
- self-supporting, powder-coated
- Two M 12 retaining bolts and nuts
- Toilet drain bend DN 90 with joint adapter DN 90/100, made of PP
- Joint adapter also suitable for horizontal installation
- Toilet connection set DN 90
- WC connection box including bare-wall protection with junction box

Please order separately:

- Toilet flush plate (see flush plates)
- Fitting for pre-wall, corner or wooden stud structures
- TECE upgrade set dry-wall for TECE shower toilets (optional)

Note:

If toilet ceramics with a reduced supporting surface are used (= distance from middle of fixing bolt to lower edge of supporting surface is no greater than 18 cm) - e.g. V & B Memento, Subway 2.0 - the steel brace set 9041029 must be installed in the lower installation space.



Item No.	DU 1	DU 2	DU 3
9300291	1 pc.	10 pc.	20 pc.

TECEprofil – Toilet modules with Uni cistern

TECEprofil WC Geronto module with Uni cistern, ceramic attachment for sitting height of 48 cm in keeping with German standard DIN 18040-1, installation height 1120 mm

Toilet module including “easy fit” flush plate installation and conduit to connect electronic shower toilets. For attachment to TECEprofil section tubes or for flush-mounted profile walls or in front of a solid wall. For barrier-free construction with raised ceramic attachment. Module with lateral steel frames and conduits for cable laying, including mounting materials.

Safety support arm height = 760 mm

Uni cistern for front actuation:

- Safety tank made of impact-resistant plastic, tested to EN 14055
- Cistern fully pre-assembled and sealed
- Cistern connection with outer thread R 1/2" at the side, compatible with quick adapters
- 10 litre tank volume; 6 litre pre-set standard flush volume, 4.5/7.5/9 litre flush volume can be set at any time; 3 litre partial flush volume for dual-flush system; optional setting of a 4/2 litre flush volume possible; remaining volume can be used for immediate cleaning flush.
- Insulated against condensation water
- For TECE flush plates and toilet electronics
- Can be used as a single or dual-flush cistern
- “easy fit” flush plate installation
- Installation tunnel for service opening, can be shortened without tools
- Low-noise hydraulic filling valve, fitting group 1 according to DIN 4109
- Flow control throttle without removing the drain valve

Module frame:

- Self-supporting, powder-coated
- Two adjustable floor supports for floor projections of 0-200 mm
- Two M 12 retaining bolts and nuts
- Eight depth-adjustable module attachments
- Four multi-clips for attachment to a TECEprofil wall
- Lateral steel frames to hold the steel plate sets
- Toilet drain bend DN 90 with joint adapter DN 90/100, made of PP
- Joint adapter also suitable for horizontal installation
- Toilet connection set DN 90
- WC connection box including shell protection and conduit for universal shower WC connection (check position), with junction box and cover for transformer.

Please order separately:

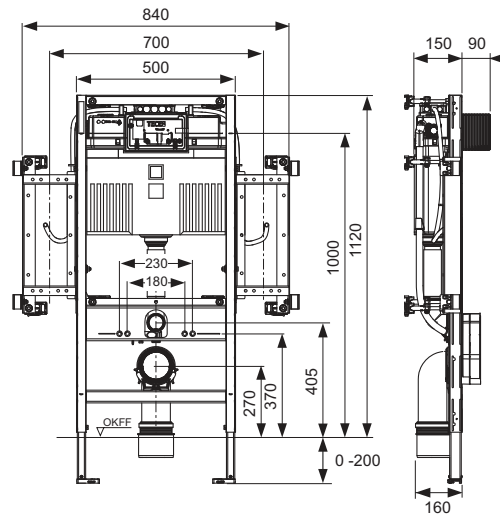
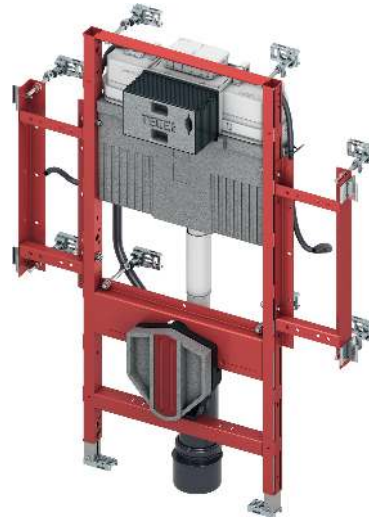
- Steel/wooden plate set to hold the safety arm supports (90420xx)
- Toilet electronics (such as TECEplanus toilet remote release)
- Toilet flush plate (see flush plates)
- TECE upgrade set dry-wall for TECE shower toilets (optional)

Note:

If toilet ceramics with a reduced supporting surface are used (= distance from middle of fixing bolt to lower edge of supporting surface is not larger than 18 cm) - e.g. V & B Memento, Subway 2.0 - it is necessary to install the steel brace set 9041029 in the lower build space.

Caution:

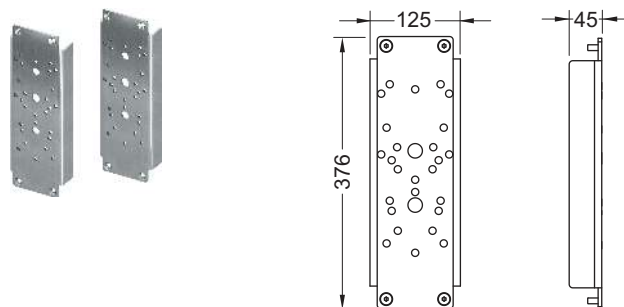
Depending on the manufacturer, concealed cabling may not be possible for all safety support arms.



Item No.	DU 1	DU 2	DU 3
9300309	1 pc.	10 pc.	20 pc.

TECEprofil steel plate set to hold the safety arm support

Consisting of two steel plates including mounting material for installation to WC Geronto module. The attachment screws for assembling the safety support arms are not included in the scope of delivery.



Order No.	Manufacturer	Type		
9042010	Erlau	XSK Direkt, XSR Direkt		
	Hewi	series 801/802 (Lifesystem)/805		
	Keuco	Plan Care (Caution: Only models with 4 attachment points)		
	Linido	LI2601		
	Normbau Pressalit	Nylon Care Care R3016-RF016, R3018-RF018		
9042011	FSB	82 8224 06011, 82 8224 06012 82 8224 07011, 82 8224 07012		
	Linido	LI2603		
9042012	Erlau	XSE, XSK, XSR		
	Lehnen	Evolution		
	PBA	4CN.445.00RL a.o. of the series 400-NY		
	SAM	free line		
9042013	Deubad	Maxima Typ G40		
	Emco	35 85 212 85, 35 85 212 60		
	Hergert	10.036.00.1000, 10.036.01.1000, 10.037.01.1000, 10.056.00.1000, 10.056.01.1000, 10.056.18.1000, 10.056.19.1000, 10.057.00.1000, 10.057.01.1000, 10.058.06.1000		
		Normbau	Inox Care	
		rehagrip	A-series, B-series	
Terma		Wlon		
9042016	Deubad	DEU-WAVE		
	FSB	82 8224 06001, 82 8224 06002 82 8224 07001, 82 8224 07002 82 8224 08501 to 82 8224 08508 82 8224 08531, 82 8224 08532 82 8224 09001, 82 8224 09002 82 8224 09031, 82 8224 09032 82 8224 06041, 82 8224 06042 82 8224 07041, 82 8224 07042 82 8224 08541, 82 8224 08542		
		Hewi	series 950	
		Normbau	Cavere Care-Vario	
		9042017	Lehnen	Basic, Concept, Novus
		9042018	Erlau	ASK
			PROVEX	series 400, series 300, series 250

Item No.	DU 1	DU 2
9042010	1 set	10 set
9042011	1 set	10 set
9042012	1 set	10 set
9042013	1 set	10 set
9042016	1 set	10 set
9042017	1 set	10 set
9042018	1 set	10 set

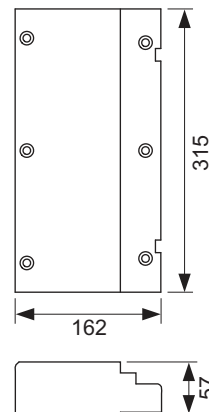
TECEprofil – Toilet modules with Uni cistern

TECEprofil wooden plate set to hold the safety arm supports

Wooden plate set consisting of two waterproof wooden plates made of glued veneer including mounting materials for installation to toilet Geronto module. The attachment screws for assembling the safety support arms are not included in the scope of delivery.

Caution:

Not prepared for safety support arm with cable-linked flush.



Item No.	DU 1	DU 2
9042008	1 set	10 set

TECEprofil toilet module with Uni cistern, with connection for odour extraction (DN 70), installation height 1120 mm

Toilet module including “easy fit” flush plate installation and conduit to connect electronic shower toilets. For fitting to TECEprofil section tubes or for installation in metal or wooden stud walls and as a pre-wall or corner module; also suitable for single block assembly.

Uni cistern for front actuation:

- Safety tank made of impact-resistant plastic, tested to EN 14055
- Cistern fully pre-assembled and sealed
- Cistern connection with outer thread R 1/2" at the side, compatible with quick adapters
- 10 litre tank volume; 6 litre pre-set standard flush volume, 4.5/7.5/9 litre flush volume can be set at any time; 3 litre partial flush volume for dual-flush system; optional setting of a 4/2 litre flush volume possible; remaining volume can be used for immediate cleaning flush.
- Insulated against condensation water
- For TECE flush plates and toilet flush handle
- Can be used as a single or dual-flush cistern
- “easy fit” flush plate installation
- Installation tunnel for service opening, can be shortened without tools
- Low-noise hydraulic filling valve, fitting group 1 according to DIN 4109
- Connection for odour extraction (DN 70), matching fan e.g. Maico ER 100
- Flow control throttle without removing the drain valve

Module frame:

- Self-supporting, powder-coated
- Two M 12 retaining bolts and nuts
- Toilet drain bend DN 90 with joint adapter DN 90/100, made of PP
- Joint adapter also suitable for horizontal installation
- Toilet connection set DN 90
- WC connection box including shell protection and conduit for universal shower WC connection (check position), with junction box and cover for transformer.

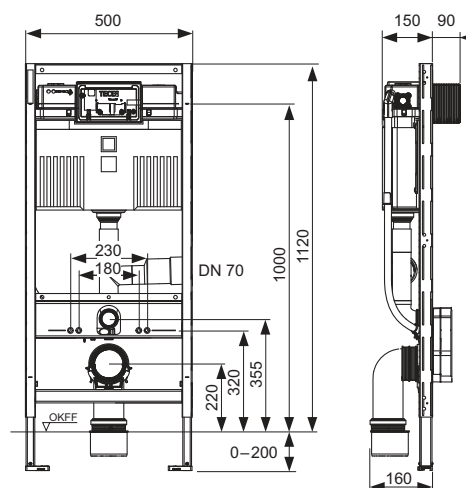
A raised ceramic attachment for a sitting height of 48 cm can be added in keeping with German standard DIN 18040 (DIN 18040: Barrier-free construction - Part 1: Publicly accessible buildings and workplaces).

Please order separately:

- Toilet flush plate (see flush plates)
- Fitting for pre-wall, corner or wooden stud wall structures
- Insert chute for cleaning tablets (optional)
- TECE upgrade set dry-wall for TECE shower toilets (optional)

Note:

- If toilet ceramics with a reduced supporting surface are used (= distance from middle of attachment bolt to lower edge of supporting surface is not greater than 18 cm) - e.g. V & B Memento, Subway 2.0 - it is necessary to install the steel brace set 9041029 in the lower build space.
- It is possible to fit odour extraction to all common toilet ceramics. However, the flushing water remains standing in the flush pipe of some ceramics with a higher sitting position or higher flushing rim, resulting in the bowl becoming partially or completely full. The current "Technical Information" offers an overview of the affected ceramics in which it is not possible to fit the odour extraction option.



Item No.	DU 1	DU 2	DU 3
9300303	1 pc.	10 pc.	20 pc.

TECEprofil – Toilet modules with Uni cistern

TECEprofil toilet module "Kids" with Uni cistern, for floor-standing toilet, installation height 1120 mm

Toilet module including "easy fit" flush plate installation. For fitting to TECEprofil section tubes or for installation in metal or wooden stud walls and as a pre-wall or corner module; also suitable for single block assembly.

Uni cistern for front actuation:

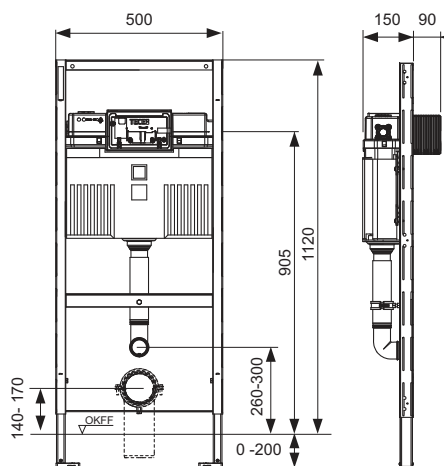
- Safety tank made of impact-resistant plastic, tested to EN 14055
- Cistern fully pre-assembled and sealed
- Cistern connection with outer thread R 1/2" at the side, compatible with quick adapters
- 10 litre tank volume; 6 litre pre-set standard flush volume, 4.5/7.5/9 litre flush volume can be set at any time; 3 litre partial flush volume for dual-flush system; optional setting of a 4/2 litre flush volume possible; remaining volume can be used for immediate cleaning flush.
- Insulated against condensation water
- For TECE flush plates and toilet flush handle
- Can be used as a single or dual-flush cistern
- "easy fit" flush plate installation
- Installation tunnel for service opening, can be shortened without tools
- Low-noise hydraulic filling valve, fitting group 1 according to DIN 4109
- Flow control throttle without removing the drain valve

Module frame:

- Self-supporting, powder-coated

Please order separately:

- Toilet flush plate (see flush plates)
- Fitting for pre-wall, corner or wooden stud wall structures
- Insert chute for cleaning tablets (optional)
- Toilet connection elbow



Item No.	DU 1	DU 2	DU 3
9300388	1 pc.	10 pc.	20 pc.

TECEprofil toilet module with Uni cistern for universal connection of a shower toilet, installation height 1120 mm

Toilet module including “easy fit” flush plate installation and conduit to connect electronic shower toilets. For fitting to TECEprofil section tubes or for installation in metal or wooden stud walls and as a pre-wall or corner module; also suitable for single block assembly.

Uni cistern for front actuation:

- Safety tank made of impact-resistant plastic, tested to EN 14055
- Cistern fully pre-assembled and sealed.
- Cistern connection with outer thread R 1/2" at the side, compatible with quick adapters
- 10 litre tank volume; 6 litre pre-set standard flush volume, 4.5/7.5/9 litre flush volume can be set at any time; 3 litre partial flush volume for dual-flush system; optional setting of a 4/2 litre flush volume possible; remaining volume can be used for immediate cleaning flush.
- Insulated against condensation water
- For TECE flush plates and toilet flush handle
- Can be used as a single or dual-flush cistern
- “easy fit” flush plate installation
- Installation tunnel for service opening, can be shortened without tools
- Low-noise hydraulic filling valve, fitting group 1 according to DIN 4109
- Flow control throttle without removing the drain valve

Module frame:

- Self-supporting, powder-coated
- Two M 12 retaining bolts and nuts
- Toilet drain bend DN 90 with joint adapter DN 90/100, made of PP
- Joint adapter also suitable for horizontal installation
- Toilet connection set DN 90
- Cable box for universal positioning of the power connection
- Shell structure cover with protective plug
- WC connection box including shell protection and conduit for universal shower WC connection (check position), with junction box and cover for transformer.

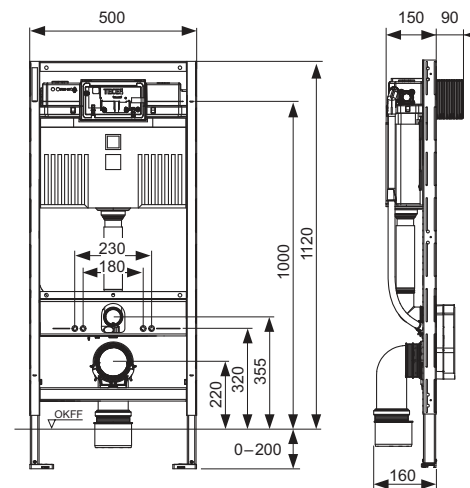
A raised ceramic attachment for a sitting height of 48 cm can be added in keeping with German standard DIN 18040 (DIN 18040: Barrier-free construction - Part 1: Publicly accessible buildings and workplaces).

Please order separately:

- Toilet flush plate (see flush plates)
- Fitting for pre-wall, corner or wooden stud wall structures
- Fine installation set for universal shower toilet module 1120 mm
- Insert chute for cleaning tablets (optional)

Note:

If toilet ceramics with a reduced supporting surface are used (= distance from middle of fixing bolt to lower edge of supporting surface is not larger than 18 cm) - e.g. V & B Memento, Subway 2.0 - it is necessary to install the steel brace set 9041029 in the lower build space.



Item No.	DU 1	DU 2	DU 3
9300379	1 pc.	10 pc.	20 pc.

TECEprofil – Toilet modules with Compact 320 cistern

TECEprofil toilet module with Compact 320 cistern, installation height 1120 mm

Toilet module including “easy fit” flush plate assembly. For fixing to TECEprofil section tubes or for installation in metal or wooden stud walls and as a pre-wall or corner module; also suitable for single block assembly.

Compact 320 cistern for operation from the front:

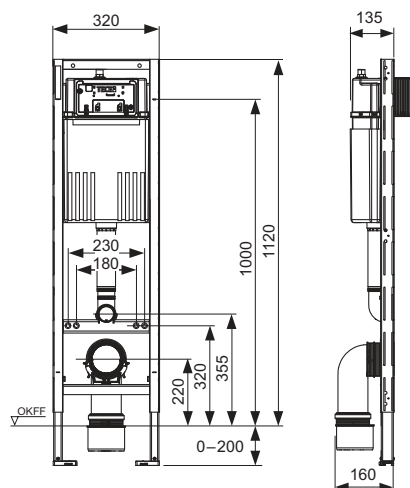
- Safety tank made of impact-resistant plastic, tested according to EN 14055
- Cistern completely pre-assembled
- Cistern connection with R 1/2" outer thread from above, compatible with quick-action adapters
- 3-way corner valve; shut-off valve with flush function when filling valve is fitted
- 7 litre tank volume; 6 litre pre-set standard flush volume, 4.5 litre flush volume can be set at any time; 3 litre partial flush volume for dual-flush system; optional setting of a 4/2 litre flush volume possible; remaining volume can be used for immediate cleaning flush.
- Insulated against condensation water
- For TECE flush plates and toilet flush handle
- Can be used as a single or dual-flush cistern
- "easy fit" flush plate mounting
- Installation tunnel for service opening, can be shortened without tools
- Low-noise hydraulic filling valve, acoustic group 1 to DIN 4109

Module frame:

- Self-supporting, powder-coated
- Two M 12 retaining bolts and nuts
- Toilet drain bend DN 90 incl. joint adapter DN 90/100 made of PP
- Joint adapter also suitable for horizontal installation
- Toilet connection set DN 90, including building protection plug

Please order separately:

- Toilet flush plate (see Flush Plates)
- Fitting for pre-wall, corner or wooden stud installation
- TECE upgrade set 320 dry-wall for TECE shower toilets (optional)



Item No.	DU 1	DU 2	DU 3
9300600	1 pc.	15 pc.	30 pc.

TECEprofil toilet module with Octa II cistern, 8 cm, installation height 1120 mm

Toilet module including “easy fit” flush plate installation. For fitting to TECEprofil section tubes or for installation in metal or wooden stud walls and as a pre-wall or corner module; also suitable for single block assembly.

Octa II cistern 8 cm, for front actuation:

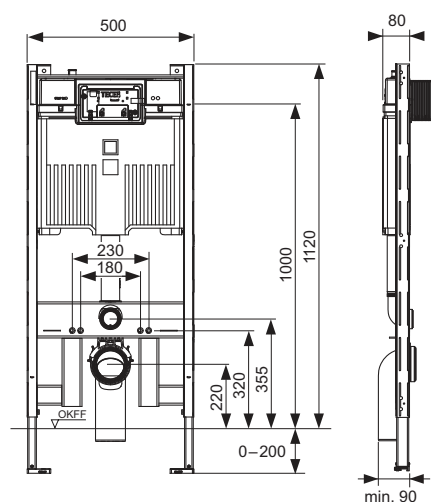
- Safety tank made of impact-resistant plastic, tested to EN 14055
- Cistern fully pre-assembled and sealed
- Cistern connection with outer thread R 1/2" at the top, compatible with quick adapters
- 7 litre tank volume; 6 litre pre-set standard flush volume, 4.5 litre flush volume can be set at any time; 3 litre partial flush volume for dual-flush system; optional setting of a 4/2 litre flush volume possible; remaining volume can be used for immediate cleaning flush.
- Insulated against condensation water
- For TECE flush plates and toilet flush handle
- Can be used as a single or dual-flush cistern
- “easy fit” flush plate installation
- Installation tunnel for service opening, can be shortened without tools
- Low-noise hydraulic filling valve, fitting group 1 according to DIN 4109

Module frame:

- Self-supporting, powder-coated
- Two M 12 retaining bolts and nuts
- Depth-adjustable toilet drain bend DN 90/90 PE-HD, including protective plug
- Toilet connection set DN 90
- Suitable for floor constructions up to 20 cm
- Ceramics installation spacing 180 mm or 230 mm
- Wall attachment

Please order separately:

- Toilet flush plate (see flush plates)
- Attachment for corner or wooden stud wall structures (optional)
- TECE upgrade set dry-wall 8 cm for TECE shower toilets (optional)



Item No.	DU 1	DU 2
9300500	1 pc.	10 pc.

TECEprofil – Toilet modules with Octa II cistern

TECEprofil toilet module with Octa II cistern, 8 cm, with connection for odour extraction, installation height 1120 mm

Toilet module including “easy fit” flush plate installation. For fitting to TECEprofil section tubes or for installation in metal or wooden stud walls and as a pre-wall or corner module; also suitable for single block assembly.

Octa II cistern 8 cm, for front actuation:

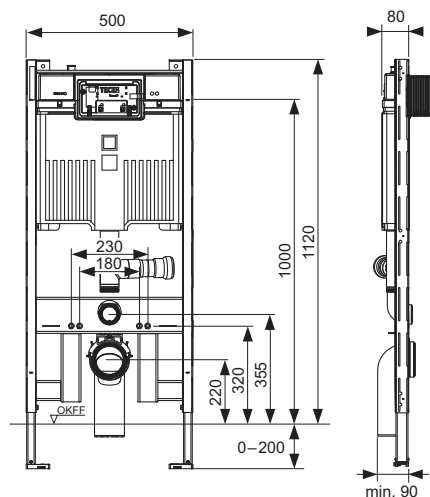
- Safety tank made of impact-resistant plastic, tested to EN 14055
- Cistern fully pre-assembled and sealed.
- Cistern connection with outer thread R 1/2" at the top, compatible with quick adapters
- 7 litre tank volume; 6 litre pre-set standard flush volume, 4.5 litre flush volume can be set at any time; 3 litre partial flush volume for dual-flush system; optional setting of a 4/2 litre flush volume possible; remaining volume can be used for immediate cleaning flush.
- Insulated against condensation water
- For TECE flush plates and toilet flush handle
- Can be used as a single or dual-flush cistern
- “easy fit” flush plate installation
- Installation tunnel for service opening, can be shortened without tools
- Low-noise hydraulic filling valve, fitting group 1 according to DIN 4109
- With connection for odour extraction DN 50

Module frame:

- Self-supporting, powder-coated
- Two M 12 retaining bolts and nuts
- Depth-adjustable toilet drain bend DN 90/90 PE-HD, including protective plug
- Toilet connection set DN 90
- Suitable for floor constructions up to 20 cm
- Ceramics installation spacing 180 mm or 230 mm
- Including wall attachment

Please order separately:

- Toilet flush plate (see flush plates)
- Fitting for pre-wall, corner or wooden stud wall structures (optional)
- TECE upgrade set dry-wall 8 cm for TECE shower toilets (optional)



Item No.	DU 1	DU 2
9300501	1 pc.	10 pc.

TECEprofil toilet module with Octa II cistern 8 cm, installation height 1120 mm

Toilet module including “easy fit” flush plate installation. For fitting to TECEprofil section tubes or for installation in metal or wooden stud walls and as a pre-wall or corner module; also suitable for single block assembly.

Octa II cistern 8 cm, for front actuation:

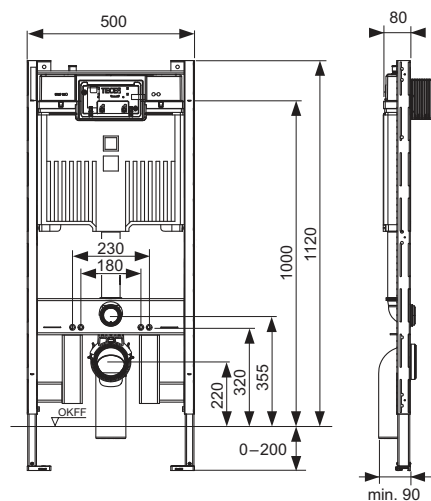
- Safety tank made of impact-resistant plastic, tested to EN 14055
- Cistern fully pre-assembled and sealed
- Cistern connection with outer thread R 1/2" at the top, compatible with quick adapters
- 7 litre tank volume; 6 litre pre-set standard flush volume, 4.5 litre flush volume can be set at any time; 3 litre partial flush volume for dual-flush system; optional setting of a 4/2 litre flush volume possible; remaining volume can be used for immediate cleaning flush.
- Insulated against condensation water
- for TECE flush plates and toilet flush handle
- can be used as a single or dual-flush cistern
- “easy fit” flush plate installation
- Installation tunnel for service opening, can be shortened without tools
- Low-noise hydraulic filling valve, fitting group 1 according to DIN 4109

Module frame:

- Self-supporting, powder-coated
- Two M 12 retaining bolts and nuts
- Depth-adjustable toilet drain bend DN 90 with joint adapter DN 90/100 made of PP, including protective plug
- Joint adapter also suitable for horizontal installation
- Toilet connection set DN 90
- Suitable for floor constructions up to 20 cm
- Ceramics installation spacing 180 mm or 230 mm
- Wall attachment
- Toilet sound insulation set

Please order separately:

- Toilet flush plate (see flush plates)
- Fitting for pre-wall, corner or wooden stud wall structures (optional)
- TECE upgrade set dry-wall 8 cm for TECE shower toilets (optional)



Item No.	DU 1	DU 2
9300502	1 pc.	10 pc.

TECEprofil – Washstand modules

TECEprofil washstand module, installation height 1120 mm

To attach to TECEprofil section tubes or to install in metal or wooden stud walls and as pre-wall or corner module.

Completely pre-assembled unit, consisting of:

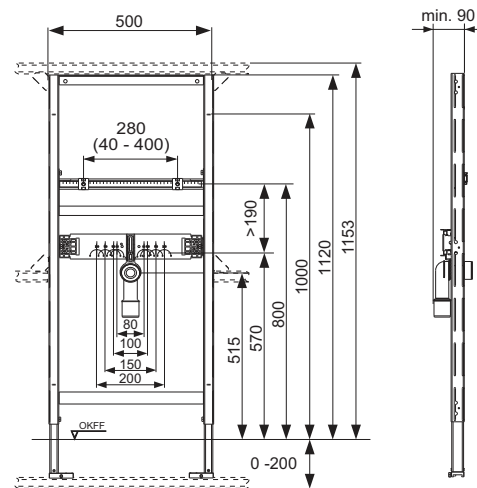
- Self-supporting assembly frame, powder coated
- Two M 10 retaining bolts, vertically and laterally adjustable distance gauge
- Sound-insulated mounting crossbeams to attach wall disks
- Connection bend DN 40/50 with rubber collar, NW 30/50 (also acts as seal), protective plug

Please order separately:

- Wall disks TECEflex 16 x 1/2", TECElogo 16 x 1/2" or TECElogo-Push 20 universal connection x 1/2"
- Fitting for pre-wall, corner or wooden stud structures
- Mounting crossbeam for flush-mounted/wall-mounted fittings 9020061



Item No.	DU 1	DU 2	DU 3
9310000	1 pc.	14 pc.	28 pc.



TECEprofil washstand module, installation height 820-980 mm

Washstand module for attachment to TECEprofil section tubes or for installation in metal or wooden stud walls and as a pre-wall or corner module.

Completely pre-assembled unit, consisting of:

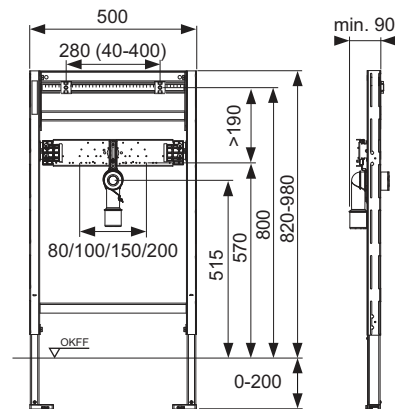
- Self-supporting assembly frame, powder-coated
- Two M 10, height and depth-adjustable retaining bolts, laterally adjustable distance gauge
- Sound-insulated mounting crossbeams to affix wall disks
- Connection elbow DN 40/50 with rubber collar, NW 30/50 (also acts as seal), including protective plug

Please order separately:

- Wall disks TECEflex 16 x 1/2", TECElogo 16 x 1/2" or TECElogo-Push 20 universal connection x 1/2"
- Attachment for pre-wall, corner or wooden stud wall installation



Item No.	DU 1	DU 2	DU 3
9310018	1 pc.	14 pc.	28 pc.



TECEprofil – Washstand modules

TECEprofil washstand module with concealed odour trap, installation height 1120 mm

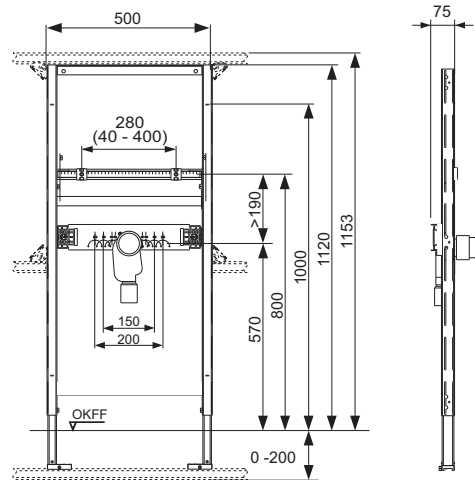
To attach to TECEprofil section tubes or to install in metal or wooden stud walls and as pre-wall or corner module. For construction of washstand units with a ground clearance to DIN 18040-1 (construction of accessible buildings – Part 1: Publicly accessible buildings).

Completely pre-assembled unit, consisting of:

- Self-supporting assembly frame, powder coated
- Two M 10 retaining bolts, vertically and laterally adjustable distance gauge
- Sound-insulated mounting crossbeams to affix wall disks, centres 150 mm and 200 mm
- DN 50 concealed odour trap with removable U-bend insert, nominal diameter 30, (also acts as seal) incl. protective plug

Please order separately:

- Wall disks TECEflex 16 x 1/2", TECElogo 16 x 1/2" or TECElogo-Push 20 universal connection x 1/2"
- Connection bend for concealed odour trap 9080001
- Fitting for pre-wall, corner and wooden stud installation
- Mounting crossbeam for flush-mounted/wall-mounted fittings 9020061



Item No.	DU 1	DU 2	DU 3
9310004	1 pc.	14 pc.	28 pc.

TECEprofil washstand module with concealed odour trap, installation height 820-980 mm

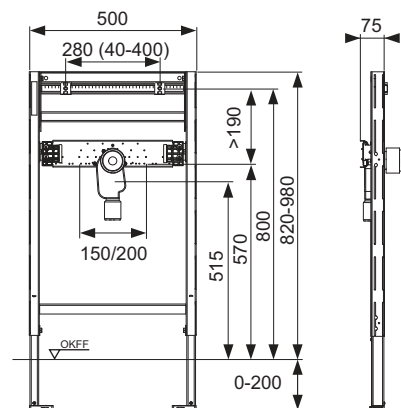
Washstand module for attachment to TECEprofil section tubes or for installation in metal or wooden stud walls and as a pre-wall or corner module. For construction of washstand units with a ground clearance to DIN 18040 – 1 (construction of accessible buildings – Part 1: Publicly accessible buildings)

Completely pre-assembled unit, consisting of:

- Self-supporting assembly frame, powder-coated
- Two M 10 retaining bolts, vertically and laterally adjustable distance gauge
- Sound-insulated mounting crossbeams to affix wall disks, borehole centres 150 mm and 200 mm
- DN 50 concealed odour trap with removable siphon insert, NW 30 (also acts as seal), incl. protective plug

Please order separately:

- Wall disks TECEflex 16 x 1/2", TECElogo 16 x 1/2" or TECElogo-Push 20 universal connection x 1/2"
- Connection elbow for concealed odour trap 9080001
- Attachment for pre-wall, corner or wooden stud wall installation



Item No.	DU 1	DU 2	DU 3
9310019	1 pc.	14 pc.	28 pc.

TECEprofil – Washstand modules

TECEprofil washbasin module incl. two insulated and lockable mounting blocks, suitable for accommodating water meter measuring capsules with coax G 2", installation height 1120 mm **NEW**

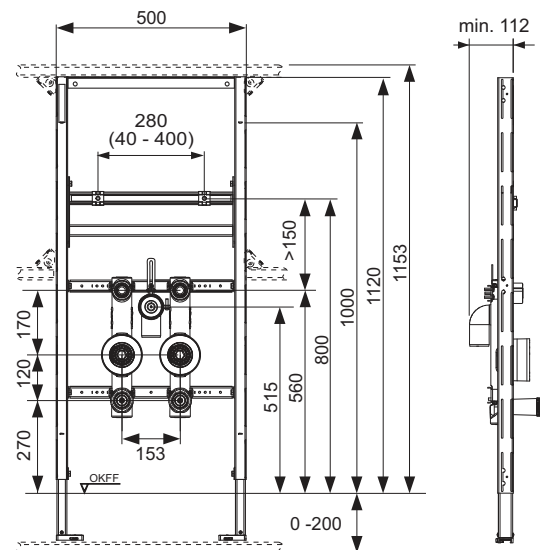
Washbasin module for attachment to TECEprofil section tubes or for installation in metal or wooden stud walls and as a pre-wall or corner module.

Completely pre-assembled unit, consisting of:

- Self-supporting mounting frame, powder-coated
- Two M 10 retaining bolts, height and side adjustable spacer
- HT connection elbow DN 50, including protective plug
- Two soundproofed and lockable Rp 3/4" mounting blocks for water meter measuring capsule with Koax G 2" and connection T-piece Rp 1/2" for corner valves

Please order separately:

- Attachment for pre-wall, corner or wooden stud mounting (optional)
- Ready-to-install set for concealed valve, chrome-plated
- Seal System construction plug with sealing sleeve (optional)
- Authority upper part (optional)
- Universal blind rosette for water meter mounting block (optional)



Item No.		DU 1	DU 2	DU 3
9310025	NEW	1 pc.	10 pc.	20 pc.

TECEprofil washbasin module including an insulated and lockable mounting block, suitable for accommodating a water meter measuring capsule with coaxial G 2", installation height 1120 mm **NEW**

Washbasin module for attachment to TECEprofil section tubes or for installation in metal or wooden stud walls and as a pre-wall or corner module.

Completely pre-assembled unit, consisting of:

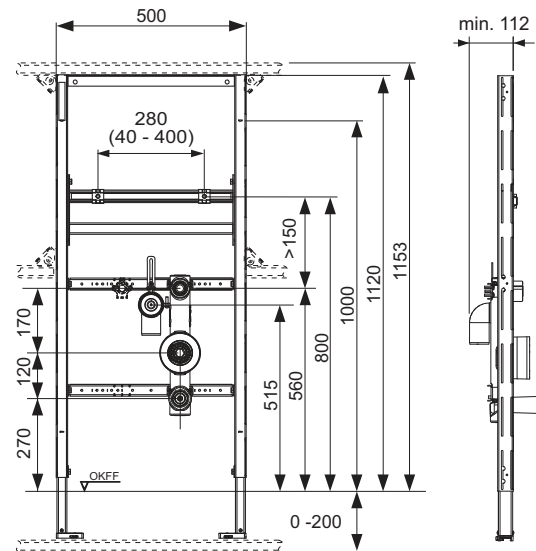
- Self-supporting mounting frame, powder-coated
- Two M 10 retaining bolts, height and side adjustable spacer
- HT connection elbow DN 50, including protective plug
- Soundproofed and lockable Rp 3/4" mounting block for water meter measuring capsule with Koax G 2" and connection T-piece Rp 1/2" for corner valve

Please order separately:

- Attachment for pre-wall, corner or wooden stud installation (optional)
- Ready-to-install set for concealed valve, chrome-plated
- Seal System construction plug with sealing sleeve (optional)
- Authority upper part (optional)
- Universal blind rosette for water meter mounting block (optional)



Item No.		DU 1	DU 2	DU 3
9310026	NEW	1 pc.	10 pc.	20 pc.



TECEprofil – Washstand modules

TECEprofil washstand module including two assembly blocks for mounting water meter measuring capsules, installation height 1120 mm

Washstand module for attachment to TECEprofil section tubes or for installation in metal or wooden stud walls and as a pre-wall or corner module.

Completely pre-assembled unit, consisting of:

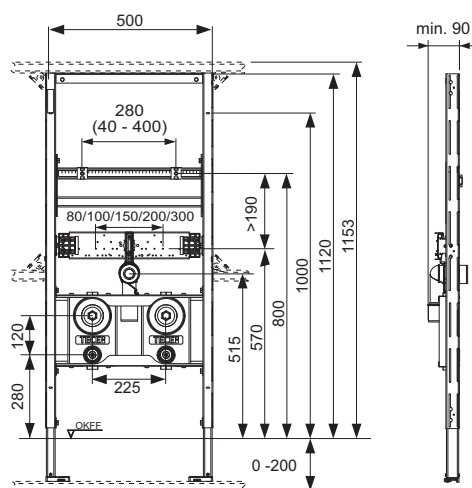
- Self-supporting assembly frame, powder-coated
- Two M 10, height and Depth-adjustable retaining bolts, laterally adjustable distance gauge
- Sound-insulated mounting crossbeams to affix wall disks
- Connection elbow DN 40/50 with rubber collar, NW 30/50 (also acts as seal), including protective plug
- Two assembly blocks with G 2" coaxial water meter (HWW model) with Rp 3/4" connection

Please order separately:

- Two final installation sets for flush-mounted valve, chromed
- Wall disks TECEflex 16 x 1/2", TECElogo 16 x 1/2" or TECElogo-Push 20 universal connection x 1/2"
- Fitting for pre-wall, corner or wooden stud structures



Item No.	SALE	DU 1	DU 2	DU 3
9310017	SALE	1 pc.	10 pc.	20 pc.



TECEprofil washstand module for sink, installation height 1120 mm

To attach to TECEprofil section tubes or to install in metal or wooden stud walls and as pre-wall or corner module.

Completely pre-assembled unit, consisting of:

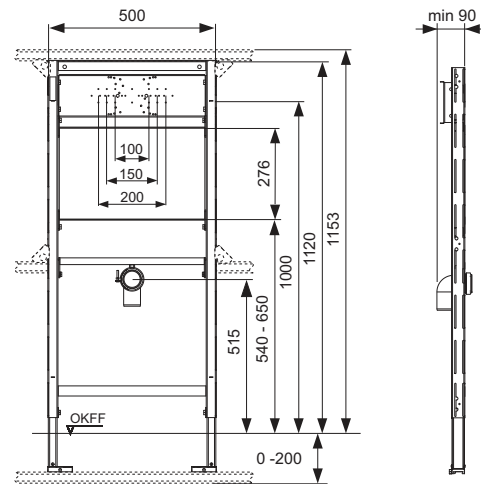
- Self-supporting assembly frame, powder coated
- Watertight glued mounting plate made of structural veneer pursuant to DIN 68705
- Mounting crossbeam for the attachment of wall-mounted fittings
- High-temperature connection bend DN 50 incl. protective plug

Please order separately:

- Wall disks TECEflex 16 x 1/2", TECElogo 16 x 1/2" or TECElogo-Push 20 universal connection x 1/2"
- Fitting for pre-wall, corner or wooden stud structures



Item No.	DU 1	DU 2	DU 3
9310002	1 pc.	14 pc.	28 pc.



TECEprofil – Urinal modules

TECEprofil urinal module with TECE flush valve housing U 2, installation height 1120 mm

Urinal module for combination with TECEfilo valve unit and sensor cover, for fixing to TECEprofil section tubes or for installation in metal or wooden stud-and-beam walls and as a pre-wall or corner module.

Completely pre-assembled unit, consisting of:

- TECE urinal flush valve housing U 2 with inlet flow control and bare-wall protection system
- 230 V/12 V integrated transformed for direct 230 V connection
- Connection R 1/2"
- Two adjustable foot supports for floor projections of 0-200 mm
- Installation depth 75 mm
- Two M 8 retaining bolts
- Continuously adjustable fixing rails
- Continuously height-adjustable drain connection
- Connection elbow DN 50 including building protection plug
- Mounting material for urinal
- Inlet fitting 1/2"

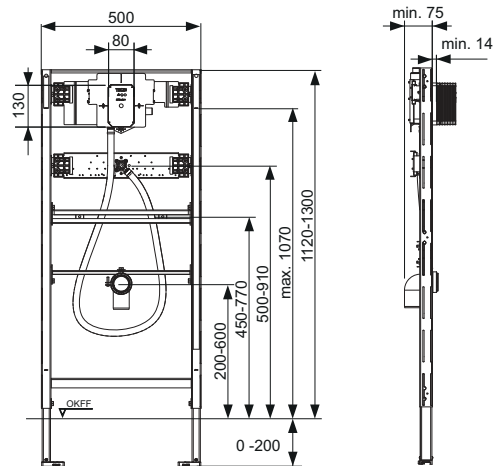


Please order separately:

- TECEfilo valve unit (see Urinal flush plates)
- TECEfilo sensor cover (see Urinal flush plates)
- Fitting for pre-wall, corner or wooden stud installation

Caution:

Not suitable for semi-recessed urinals.



Item No.	DU 1	DU 2	DU 3
9320013	1 pc.	14 pc.	28 pc.

TECEprofil urinal module with TECE flush valve housing U 1, installation height 1120 mm

Urinal module to hold manual and electronic actuation systems. For fitting to TECEprofil section tubes or for installation in metal or wooden stud walls and as a pre-wall or corner module.

Completely pre-assembled unit, consisting of:

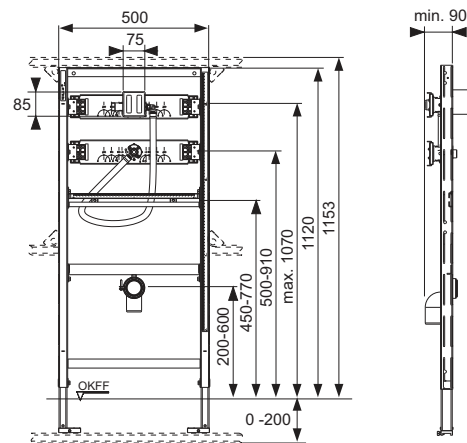
- TECE urinal flush valve housing U 1 with inlet flow control and bare-wall protection system
- Connection Rp 1/2"
- Two adjustable supports for floor projections of 0-200 mm
- Two M 8 retaining bolts
- Continuously adjustable fixing rails
- Continuously height-adjustable drain connection
- Connection bend DN 50 including protective plugs
- Mounting material for urinal
- Inlet fitting 1/2"

Please order separately:

- Manual urinal actuation (TECESquare, TECEloop, TECEsolid, TECEnow) or TECEplanus urinal electronic
- Attachment for individual pre-wall, corner or wooden stud wall assembly

Caution:

Not suitable for semi-recessed urinals.



Item No.	DU 1	DU 2	DU 3
9320008	1 pc.	14 pc.	28 pc.

TECEprofil – Urinal modules

TECEprofil urinal module for wall-mounted flush valve, installation height 1120 mm

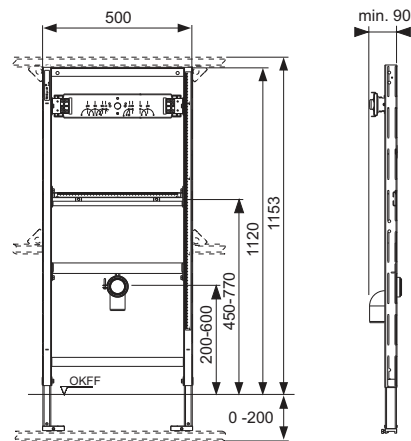
Urinal module to hold wall-mounted flush valves. To attach to TECEprofil section tubes or to install in metal or wooden stud walls and as pre-wall or corner module.

Completely pre-assembled unit, consisting of:

- Self-supporting installation frame, powder coated
- Two adjustable supports for floor constructions between 0-200 mm
- Two M 8 retaining bolts
- Continuously adjustable fixing rails
- Continuously height-adjustable drain connection
- DN 50 high-temperature drain bend incl. protective plug
- Mounting material for urinal

Please order separately:

- Fitting for pre-wall, corner or wooden stud structures



Item No.	DU 1	DU 2	DU 3
9320010	1 pc.	14 pc.	28 pc.

TECEprofil bath/shower module adjustable crossbeam for flush-mounted and wall-mounted fittings, installation height 1120 mm

Bath/shower module for attachment to TECEprofil profile pipes or for installation in metal or wooden stud walls and as a pre-wall or corner module; to accommodate wall-mounted or concealed fittings.

Completely pre-assembled unit, consisting of:

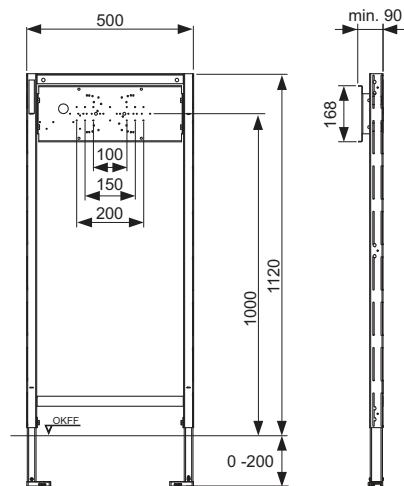
- Self-supporting mounting frame, powder-coated
- Two adjustable foot supports for floor build-up of 0-200 mm
- Infinitely adjustable crossbeam to accommodate concealed fittings (e.g. hansgrohe iBox universal 2) or wall discs

Please order separately:

- Fitting for pre-wall, corner or wooden stud structures



Item No.	DU 1	DU 2	DU 3
9340002	1 pc.	14 pc.	28 pc.



TECEprofil – Bidet modules

TECEprofil bidet module for wall-mounted bidet, installation height 1120 mm

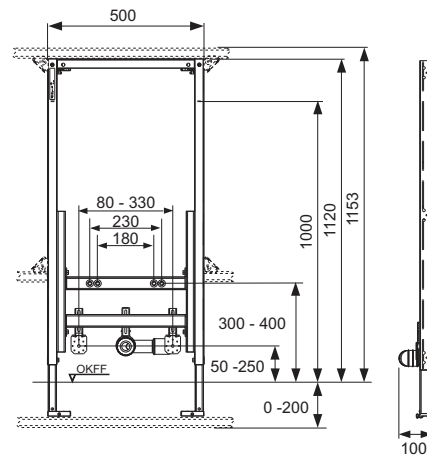
To attach to TECEprofil section tubes or to install in metal or wooden stud walls and as pre-wall or corner module.

Completely pre-assembled unit, consisting of:

- Self-supporting, powder coated assembly frame and two adjustable supports for floor constructions between 0-200 mm
- Two M 12 retaining bolts and nuts
- Continuously height-adjustable drain connection
- Connection bend DN 40/50, with rubber collar, nominal diameter 30/50, (also acts as seal), incl. protective plug

Please order separately:

- Wall disks TECEflex 16 x 1/2", TECElogo 16 x 1/2" or TECElogo-Push 20 universal connection x 1/2"
- Fitting for pre-wall, corner or wooden stud structures



Item No.	DU 1	DU 2	DU 3
9330000	1 pc.	14 pc.	28 pc.

TECEprofil bidet module for wall-mounted bidet, installation height 820 mm

To attach to TECEprofil section tubes or to install in metal or wooden stud walls and as pre-wall or corner module.

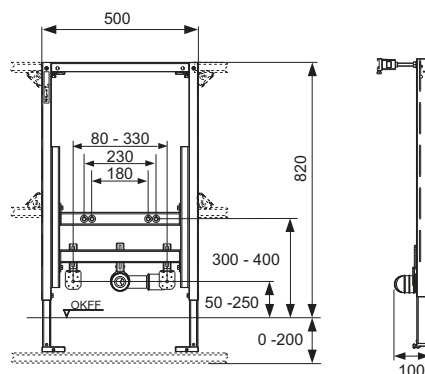
Completely pre-assembled unit, consisting of:

- Self-supporting, powder coated assembly frame and two adjustable supports for floor constructions between 0-200 mm
- Two M 12 retaining bolts and nuts
- Continuously height-adjustable drain connection
- Connection bend DN 40/50, with rubber collar, nominal diameter 30/50, (also acts as seal), incl. protective plug
- Two depth-adjustable module attachments

In combination with telescopic attachment 9380001 it can also be fitted in a TECEprofil pre-wall for installation height 980 mm.

Please order separately:

- Fitting for corner or wooden stud structures
- Wall disks TECEflex 16 x 1/2", TECElogo 16 x 1/2" or TECElogo-Push 20 universal connection x 1/2"
- Telescopic attachment TECEprofil for modules 9380001



Item No.	DU 1	DU 2	DU 3
9330005	1 pc.	14 pc.	28 pc.

TECEprofil – Accessories

TECEprofil module for safety arm support and support systems

For installation in a UA profile stud wall or as pre-wall element.

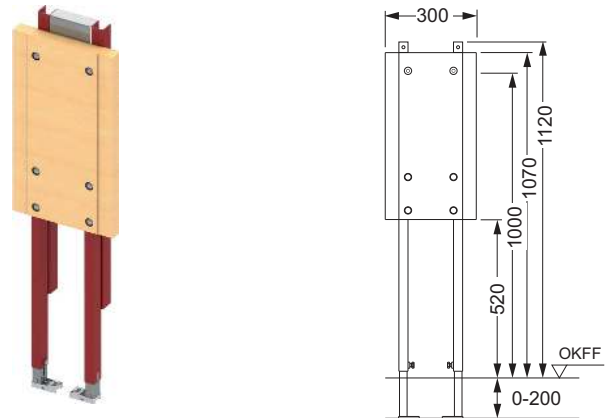
Pre-assembled unit, consisting of:

- Self-supporting mounting frame, powder-coated
- Watertight, multi-glued wood inlay panel
- Mounting materials for fixing to a UA profile wall

Please order separately:

- Depth-adjustable module attachment for pre-wall assembly

Item No.	DU 1	DU 2	DU 3
9360000	1 pc.	14 pc.	28 pc.



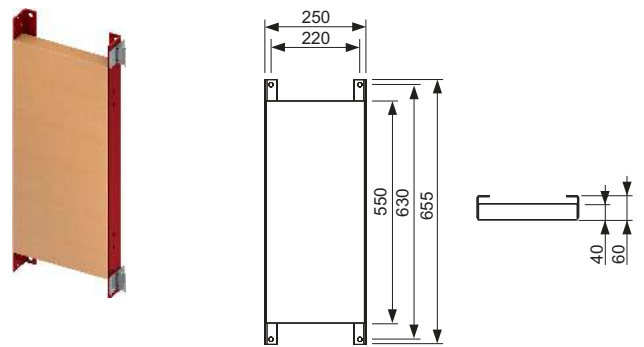
TECEprofil mounting plate for safety arm support and support systems

For the stable fixing of support handles and holding systems in a TECEprofil supporting structure or a UA profile stud wall.

Pre-assembled unit, consisting of:

- Attachment plate for screwing to a TECEprofil universal module, of water-tight glued veneer
- Two multi-clamps for fixing to the TECEprofil supporting structure

Item No.	DU 1
9042003	1 pc.



TECEprofil module attachment with depth adjustment and quick closure

To attach modules to a solid structural wall and to the TECEprofil section tube, installation spacing 150-240 mm.

Consisting of:

- Two depth-adjustable module attachments
- Mounting materials

Item No.	DU 1	DU 2
9380014	1 pc.	15 pc.



TECE wall attachment 90°

Single module attachment to fasten a module to a stable wall.

Item No.	DU 1	DU 2
9380300	1 pc.	20 pc.



TECE wall attachment 45°

Module attachment to fasten a module to a solid structural wall at a 45° angle.

Consisting of:

- Two wall brackets 45°
- Fixing material



Item No.	DU 1	DU 2
9380301	1 pc.	20 pc.

TECE hanger bolts for solid walls

Module attachment using hanger bolts in front of solid walls, for supporting structure depth of 145-175 mm.

Consisting of:

- Two hanger bolts with dowels
- Four flange nuts



Item No.	DU 1	DU 2
9380007	10 pc.	40 pc.

TECE mounting set for UA profile walls

Fixing material to attach TECEprofil modules to lateral UA profiles, suitable for UA profiles 50 to DIN 18182 Part 1.

Consisting of:

- Four bolts with nuts
- Eight washers



Item No.	DU 1	DU 2
9380006	1 set	5 set

TECE mounting set for wooden stud walls

Fixing material to attach TECE modules to lateral stud structures.

Consisting of:

- Four hexagonal head wood screws
- Four washers



Item No.	DU 1	DU 2
9380005	1 set	5 set

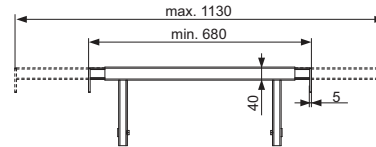
TECEprofil – Accessories

TECE panel kit for niches

Drain top for TECE modules for assembly and attachment in niches of 680-1130 mm, inclusive mounting materials.

Note:

Panel kit can only be used in combination with front actuation.



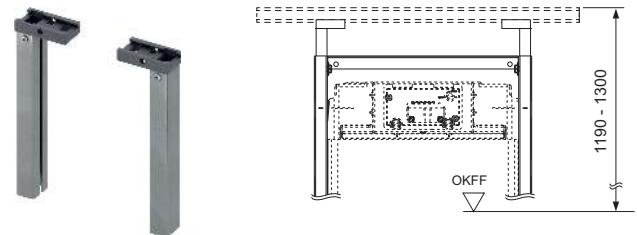
Item No.	DU 1
9380013	1 pc.

TECEprofil telescopic attachment for modules

To extend the lateral module braces and to fix to a horizontal TECEprofil brace.

Consisting of:

- Two height-adjustable module attachments
- Mounting material for fitting to TECEprofil section tube



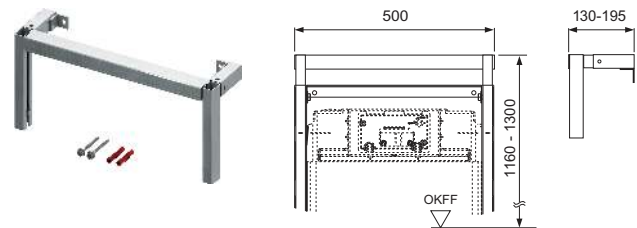
Item No.	DU 1
9380001	1 pc.

TECE height-adjustable module attachment for individual assembly

To attach TECE modules to a solid or lightweight wall. Makes it possible to adjust the depth and height of the storage surfaces.

Completely pre-assembled unit, consisting of:

- Assembly crossbeam with galvanised surface
- Two wall attachments, height-adjustable, for adjustment to tile pattern
- Mounting material for assembly in front of the wall



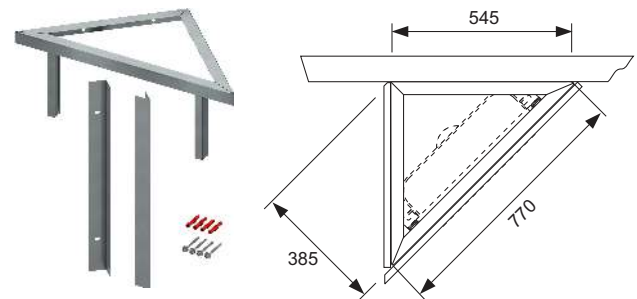
Item No.	DU 1
9380002	1 pc.

TECE module attachment for wall corner installation

To attach TECE modules to a solid or lightweight wall at a 45° angle. Only one side needs to be screwed to the wall.

Completely pre-assembled unit, consisting of:

- Assembly crossbeam with galvanised surface, height-adjustable, for adaptation to tile pattern
- Galvanised light weight wall profile to attach panel facing
- Mounting material for assembly on the wall



Item No.	DU 1
9380004	1 pc.

TECEprofil module attachment for variable corner installation

To attach TECE modules in front of a structural corner. Space-saving corner assembly, incl. fitting of downpipes, ventilation pipes or supply pipes behind the module, is an option with all modules.

Consisting of:

- Two wall attachments for corner assembly, variable elbow
- Mounting material for assembly in front of the wall



Item No.	DU 1	DU 2
9380003	1 set	5 set

TECE steel brace set

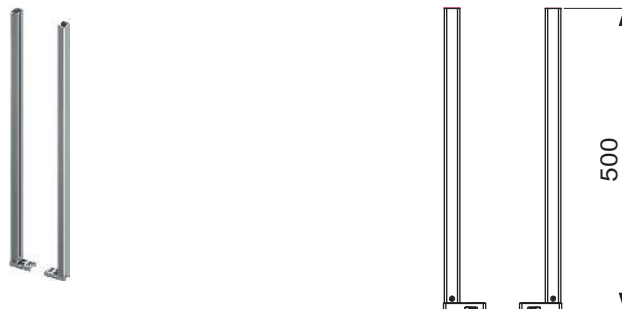
For additional support in module frames for toilet ceramics with a reduced supporting surface (= distance from middle of attachment bolt to lower edge of supporting surface is not greater than 18 cm) - e.g. V & B Memento and Subway 2.0. Suitable for TECE dry-wall modules with Uni 750, Uni or Base cisterns.



Item No.	DU 1
9041029	1 pc.

TECEprofil module feet, extended design

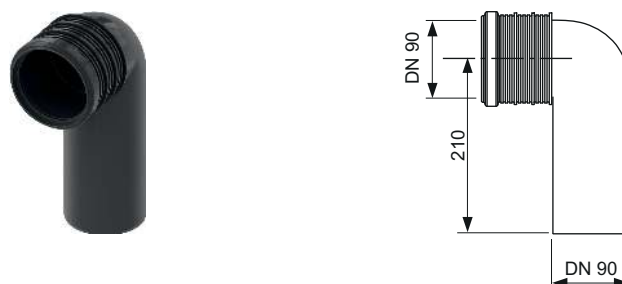
To install in TECEprofil modules with floor extensions from min. 20 cm and max. 50 cm. Galvanised version with TECEprofil module foot, consisting of 2 module feet.



Item No.	DU 1
9030028	1 pc.

TECE 90° toilet connection elbow – DN 90/90

Toilet connection elbow, to connect a toilet module to a DN 90 drain, adjustable to three depths.



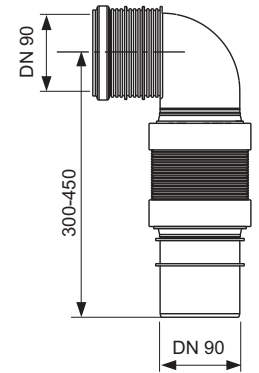
Version	Item No.	DU 1	DU 2
PE-HD	9820315	1 pc.	20 pc.
PP	9820134	1 pc.	-

TECEprofil – Accessories

TECE toilet connection elbow DN 90, flexible

Flexible drain bend DN 90, connection piece material PE-HD (weldable).

Item No.	DU 1	DU 2
9820317	1 pc.	80 pc.



TECE toilet connection set DN 90

Toilet connection set for wall-mounted toilets.

Consisting of:

- Waste water connection pipe with seal
- Flush pipe connection with seal
- Toilet mounting set with caps

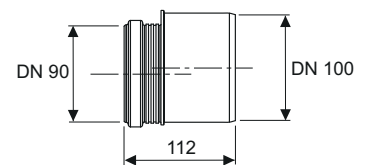


Version	Length	Item No.	DU 1	DU 2
PP	200 mm	9820057	1 pc.	250 pc.
PE	300 mm	9820214	1 pc.	-
PE	400 mm	9820305	1 pc.	-

TECE toilet connector, DN 90/100

Toilet connector to connect toilet modules horizontally to a DN 100 drain pipe.

Version	Item No.	DU 1	DU 2
PP	9820136	1 pc.	500 pc.
PVC	9820137	1 pc.	10 pc.
PE-HD	9820316	1 pc.	50 pc.



TECE flush pipe for odour extraction

Replacement flush pipe for connecting an odour extraction system for Uni and Base cisterns.

Version	Item No.	DU 1
DN 70 "right", 90°	9820078	1 pc.
DN 70 "left", 90°	9820126	1 pc.
DN 50 "right", 45°	9820127	1 pc.



TECE toilet connection set split-level 25 mm, DN 90

PE connection set split-level 25 mm for wall-hung toilets, DN 90, including mounting materials.

Note:

Without warranty, may lead to reduced non-standard flushing performance.



Item No.	DU 1	DU 2
9880073	1 set	10 set

TECE upgrade set for shower toilet seats

Sound-insulated shell set for installation on all TECEprofil dry-wall modules; suitable for preparing water and power connection for shower toilet seats e.g. Duravit SensoWash D-Code and SensoWash Starck, TOTO Washlet Giovanni-ni/GL 2.0/EK 2.0, AquaClean 4000/5000/5000plus, V & B ViClean U.

Shell set consisting of:

- Hollow-wall box
- Retaining plate for hollow-wall box, for lateral assembly on the module frame
- Wall disk 1/2" x 1/2" incl. sound insulation
- Retaining plate for wall disk
- Seal sleeve
- Fixing screws



Item No.	DU 1
9880037	1 pc.

TECE upgrade set for TOTO Washlet SG 2.0

Sound-insulated shell set for installation on all TECEprofil dry-wall modules; suitable for preparing a water connection for Toto Washlet SG 2.0.

Shell set consisting of:

- Wall disk 1/2" x 1/2" including sound insulation
- Retaining plate for wall disk
- Sealing sleeve
- Fixing screws



Item No.	DU 1
9880049	1 pc.

TECE water connection for shower toilet

Replacement reinforced hose with integrated T-piece for Uni cisterns, including 3/8" plastic adapter for filling valve F 10.



Item No.	DU 1
9880036	1 pc.

TECE fine assembly set for shower toilet module

Fine installation set for Uni cistern for connecting a shower toilet to a TECE toilet module with pre-mounted conduit or funnel.

Scope of supply:

- Reinforced hose 3/8" IG, long
- Reinforced hose including 3/8" T-piece with OT
- Screw coupling 3/8" OT
- 3/8" plastic adapter for filling valve F 10
- 3/8" elbow



Version	Item No.	DU 1
Module height 1120 mm	9880052	1 pc.
Module height 980 mm	9880053	1 pc.
Module height 820 mm	9880054	1 pc.

TECEprofil – Accessories

TECE fine installation set for shower toilet for hygiene module/hygienic cistern

Fine installation set for connecting a shower toilet to a TECE toilet module with integrated hygiene flush.

Scope of delivery:

- Reinforced hose 3/8" IT, long
- Reinforced hose incl. 3/8" tee with OT
- Threaded coupling 3/8" OT
- 3/8" angle



Item No.	DU 1
9820616	1 pc.

TECE upgrade set dry-wall for TECE shower toilets

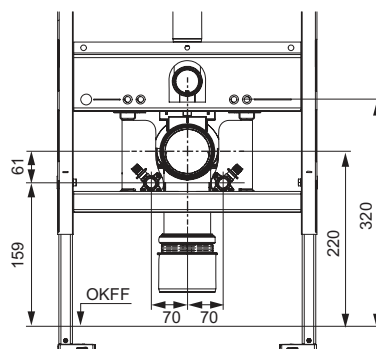
Sound-decoupled shell construction set for pre-fitting dry-wall modules with Uni and Base cisterns for the water connection of a TECE shower toilet.

Shell set consisting of:

- Holding plates for hot and cold water connections
- Sound insulation for wall discs
- Fixing screws for wall discs
- Safety pins for holding plates



Item No.	DU 1	DU 2
9880046	1 pc.	100 pc.



TECE dry-wall construction upgrade set 8 cm for TECE shower toilets, depth-adjustable

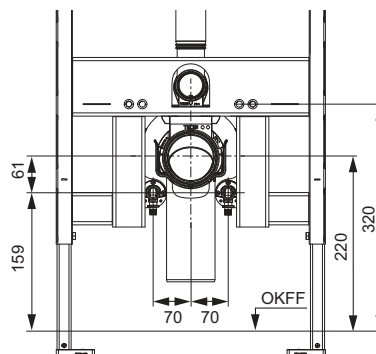
Sound-insulated shell set for pre-fitting dry-wall modules with Octa II and Base 8 cisterns for the water connection of a TECE shower toilet, depth-adjustable.

Shell set consisting of:

- Holding plates for hot and cold water connections
- Sound-proofing elements for wall discs
- Fastening screws for wall discs
- Two screws including spacer sleeves



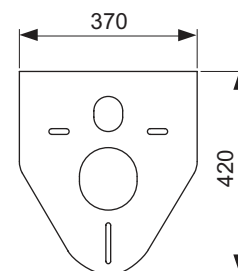
Item No.	DU 1
9880082	1 pc.



TECE sound-insulation kit for toilet and bidet

Sound insulation kit for sound insulation between the toilet or bidet ceramics and tile layer.

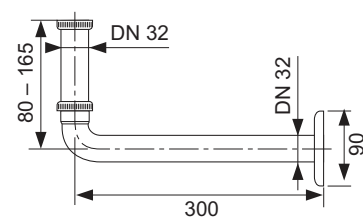
Item No.	DU 1	DU 2	DU 3
9200010	1 pc.	10 pc.	50 pc.



TECE connection bend for concealed odour trap

Connection bend 1 1/4" x DN 32 with height-adjustable immersion pipe and covering anchor plate, chrome-plated brass.

Item No.	DU 1	DU 2
9080001	1 pc.	30 pc.



TECE inlet fittings for urinal

Set consisting of:

- 1/2" connection piece
- Urinal connector

Item No.	DU 1
9820055	1 pc.



TECEprofil – Accessories

TECE urinal suction siphon

Urinal suction siphon for horizontal drain, for connection to DN 50, with seal.



Item No.	DU 1
9820338	1 pc.

TECE corner valve key

For assembly/disconnection of corner valve in TECE cistern, with holder for 1/2" or 1/4" ratchet.



Item No.	DU 1
9820264	1 pc.

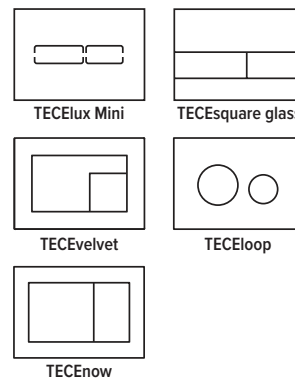
TECE insert chute II for cleaning tablets (TECElux Mini, TECESquare glass, TECEvelvet, TECEloop and TECEnow)

For inserting toilet cleaning tablets into Uni and Base cisterns; in combination with TECElux Mini, TECESquare glass, TECEvelvet, TECEloop and TECEnow flush plates; for installation from the front; suitable for flush-mounted installation.

Use in brick-wall construction from 22 mm wall structure.
Maximum wall structure: 79 mm dry-wall construction, 98 mm brick-wall construction

Attention:

- The cleaning tablets used must not contain chlorine or any other oxidizing components.
- Not compatible with TECEflushpoint pneumatic remote release.



Item No.	DU 1
9240951	1 pc.

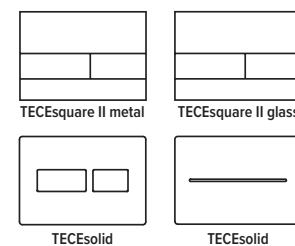
TECE insert chute II for cleaning tablets (TECESquare II metal, TECESquare II glass and TECESolid)

For inserting toilet cleaning tablets into Uni and Base cisterns; in combination with TECESquare II metal, TECESquare II glass and TECESolid flush plates; for installation from the front; suitable for flush-mounted installation in conjunction with the TECESquare II glass and the TECESolid spacing frame.

Use in brick-wall construction from 32 mm wall structure.
Maximum wall structure: 89 mm dry-wall construction, 108 mm brick-wall construction

Attention:

- The cleaning tablets used must not contain chlorine or any other oxidizing components.
- Not compatible with TECEflushpoint pneumatic remote release.



Item No.	DU 1
9240952	1 pc.

TECE drain valve A 2

Drain valve for combination with Uni and Base cisterns, including valve seat with flow control throttle, red and blue throttles and operating levers.

Item No.	DU 1
9820223	1 pc.



TECE valve seat with adjustable flush flow throttle

Valve seat with adjustable flush flow throttle for the drain valve A 2 in Uni and Base cisterns.

Item No.	DU 1
9820670	1 pc.



TECE drain valve A 6 for Uni 750-cistern

Item No.	DU 1
9820588	1 pc.



TECE filling valve F 10 universal

Universal filling valve for installation in all TECE cisterns as well as almost all standard flush-mounted and wall-mounted cisterns from other manufacturers.

Product details:

- 3/8" metal connection thread
- Flow pressure 0.5-10 bar
- Minimum flow pressure 0.5 bar
- Adjustable fill height
- Adjustable outflow pipe
- Low-noise in accordance with group I (DIN 4109)
- Compact design
- Incl. adapter and attachment nut
- Tested according to EN 14124

Item No.	DU 1	DU 2	DU 3
9820353	1 pc.	10 pc.	240 pc.



TECEprofil – Accessories

TECE throttle set for Uni and Base cisterns

Throttle set to adapt the Uni and Base cistern flushing pressure, installs in valve seat of drain valve, diameter 46-28 mm.

Item No.	DU 1	DU 2
9820337*	1 pc.	100 pc.



TECE throttle set for Octa II, Base 8, Base 320 and Compact 320 cisterns

Throttle set for adjusting the flush pressure for Octa II, Base 8, Base 320 and Compact 320 cisterns, installation in the valve seat of the drain valve, diameter 32-28 mm.

Item No.	DU 1
9820394	1 pc.



TECE drain valve A 5

Drain valve for combination with Octa II, Base 8, Compact 320 and Base 320 cisterns, including valve seat and throttle.

Item No.	DU 1
9820561	1 pc.

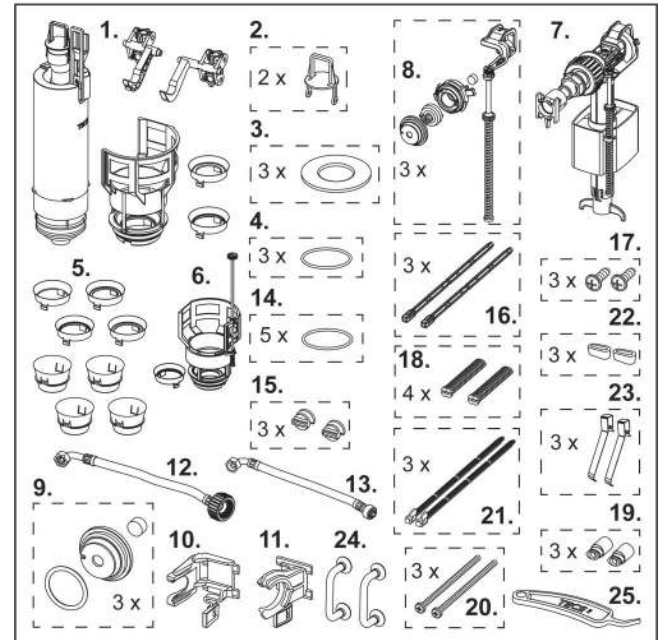


TECE spare parts case for Uni cistern

Plastic assortment case with spare parts for the Uni cistern.



Pos.	Item No.	Designation	Quantity
1	9820223	Drain valve A 2	1
2	9820222	Draw eyelet	2
3	9820233	Gasket (drain valve)	3
4	9820005	O-ring (valve seat)	3
5	9820337*	Throttle set for for Uni and Base cisterns	1
6	9820670	Valve seat with adjustable flush flow throttle	1
7	9820353	Filling valve F 10 universal	1
8	9820382	Filling valve F 10 valve lever set	3
9	9820383	Filling valve F 10 sealing kit	3
10	9820372	Filling valve holder for Uni cistern (17 mm, 3/8", up to 2019)	1
11	9820373	Filling valve holder for Uni cistern (27 mm, M 30, from 2020)	1
12	9820374	Reinforced hose M 30 (from 2020)	1
13	9820026	Reinforced hose 3/8" (until 2019)	1
14	9820025	O-ring	5
15	9820018	Clamping screws	3
16	9820022	Actuation rods (2003-2020)	3
17	9820263	Fastening screws (2003-2020)	3
18	9820019	Attaching rods (2003-2020)	4
19	9820496	"easy fit" attachment (from 2021)	3
20	9820497	"easy fit" attachment screws (from 2021)	3
21	9820498	"easy fit" actuation rods (from 2021)	3
22	9820024	Rubber buffer, set of two	3
23	9820020	Push-button springs, set of two	3
24	9820180	Bow-type handles	1
25	9820390	Dismounting and programming key	1



Item No.	DU 1
9820000	1 pc.

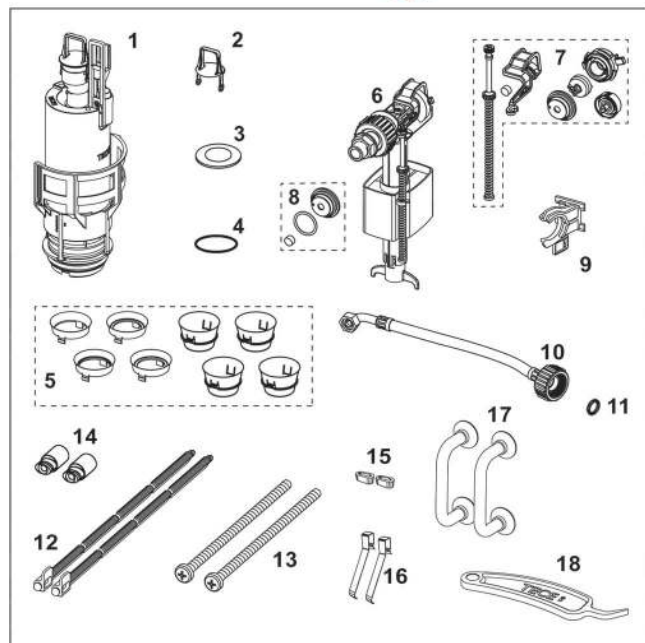
TECEprofil – Spare parts case

TECEprofil spare parts case for Uni 750-cistern

Plastic assortment case with spare parts for the Uni 750-cistern.



Pos.	Item No.	Designation	Quantity
1	9820588	Drain valve A 6	1
2	9820222	Draw eyelet	2
3	9820233	Gasket (drain valve)	5
4	9820005	O-ring (valve seat)	10
5	9820337*	Throttle set for for Uni and Base cisterns	1
6	9820353	Filling valve F 10 universal	10
7	9820382	Filling valve F 10 valve lever set	3
8	9820383	Filling valve F 10 sealing kit	1
9	9820373	Filling valve holder for Uni cistern (27 mm, M 30, from 2020)	2
10	9820596	Reinforced hose M 30 Uni 750-cistern	1
11	9820025	O-ring	1
12	9820498	"easy fit" actuation rods (from 2021)	5
13	9820497	"easy fit" attachment screws (from 2021)	9
14	9820496	"easy fit" attachment (from 2021)	4
15	9820024	Rubber buffer, set of two	10
16	9820020	Push-button springs, set of two	10
17	9820180	Bow-type handles	1
18	9820390	Dismounting and programming key	1



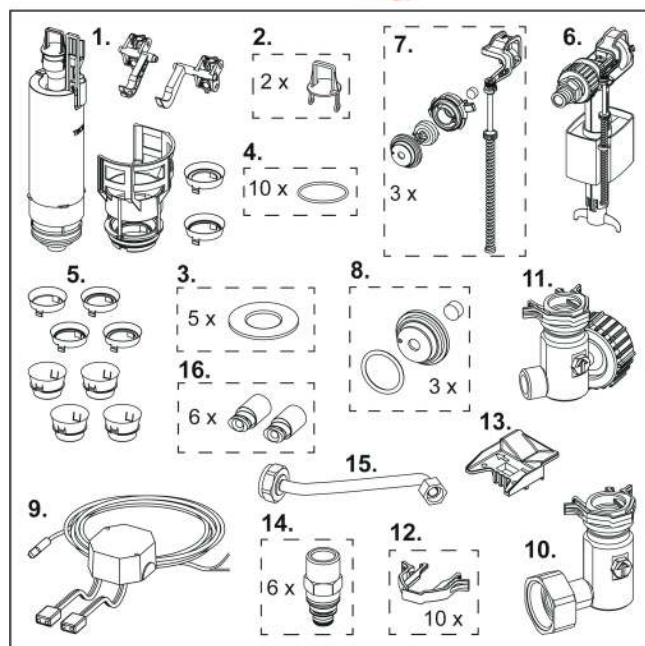
Item No.	DU 1
9820599	1 pc.

TECE spare parts case for cistern with hygiene flushing function

Plastic assortment case with spare parts for the Uni cistern with integrated hygiene flushing function.



Pos.	Item No.	Designation	Quantity
1	9820223	Drain valve A 2	1
2	9820222	Draw eyelet	2
3	9820233	Gasket (drain valve)	5
4	9820005	O-ring (valve seat)	10
5	9820337*	Throttle set for for Uni and Base cisterns	1
6	9820353	Filling valve F 10 universal	1
7	9820382	Filling valve F 10 valve lever set	3
8	9820383	Filling valve F 10 sealing kit	3
9	9810010	Transformer including connection cable	1
10	9820442	Shut-off valve 3-way	1
11	9820443	Shut-off valve 4-way	1
12	9820381	Safety clip for 3-way corner valve	10
13	9820472	Hold-down device for Base-cistern	1
14	9820378	Water connection nipple 1/2" for Base and Compact cisterns	6
15	9820573	Connecting pipe for hygiene flush unit	1
16	9820496	"easy fit" attachment (from 2021)	6

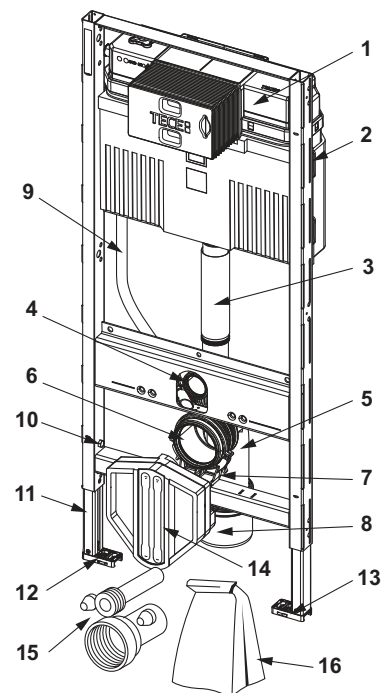


Item No.	DU 1
9820589	1 pc.

9300300 – TECEprofil toilet module with Uni cistern, installation height 1120 mm

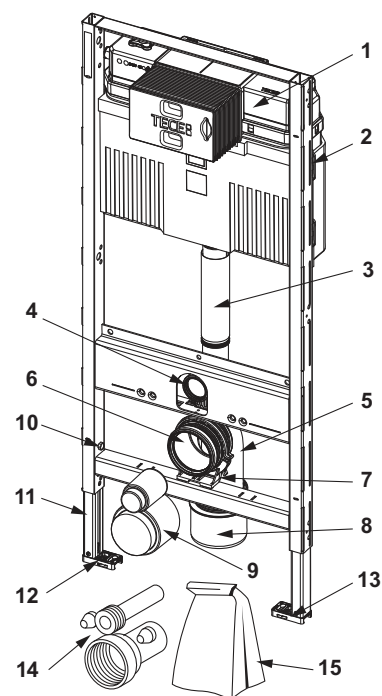
9300379 – TECEprofil toilet module with Uni cistern for universal connection of a shower toilet, installation height 1120 mm

Pos.	Item No.	Designation	DU 1
1	9820103	Uni cistern 1120 mm	1 pc.
2	9820040	Assembly kit for Uni cistern	1 pc.
3	9820011	Flush pipe with O-ring, length 269 mm, dry-wall construction	1 pc.
4	9820015	Flush pipe seal	1 pc.
5	9820134	Toilet drain bend DN 90 (PP)	1 pc.
6	9820139	Seal for drain bend DN 90	1 pc.
7	9820348	Toilet drain bend holder complete, mounting on crossbeam at bottom (from 04/2017)	1 pc.
8	9820136	Toilet connector, DN 90/100, PP	1 pc.
9	9820569	Attachment clips and conduit	1 pc.
10	9820447	Foot brake with steel spring	1 pc.
11	9820335	C-section for module foot	1 pc.
12	9820332	Module foot with toggle left	1 pc.
13	9820333	Module foot with toggle right	1 pc.
14	9820568	WC connection box	1 pc.
15	9820057	Toilet connection set, DN 90	1 pc.
16	9820043	By-pack for toilet module	1 pc.



9300302 – TECEprofil toilet module with Uni cistern, installation height 1120 mm

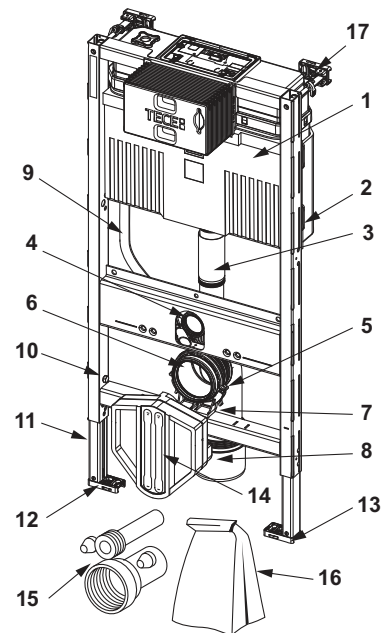
Pos.	Item No.	Designation	DU 1
1	9820103	Uni cistern 1120 mm	1 pc.
2	9820040	Assembly kit for Uni cistern	1 pc.
3	9820011	Flush pipe with O-ring, length 269 mm, dry-wall construction	1 pc.
4	9820015	Flush pipe seal	1 pc.
5	9820134	Toilet drain bend DN 90 (PP)	1 pc.
6	9820139	Seal for drain bend DN 90	1 pc.
7	9820348	Toilet drain bend holder complete, mounting on crossbeam at bottom (from 04/2017)	1 pc.
8	9820136	Toilet connector, DN 90/100, PP	1 pc.
9	9820312	Bare wall toilet plug for flush pipe and drain bend	1 pc.
10	9820447	Foot brake with steel spring	1 pc.
11	9820335	C-section for module foot	1 pc.
12	9820332	Module foot with toggle left	1 pc.
13	9820333	Module foot with toggle right	1 pc.
14	9820057	Toilet connection set, DN 90	1 pc.
15	9820043	By-pack for toilet module	1 pc.



TECEprofil – Spare parts

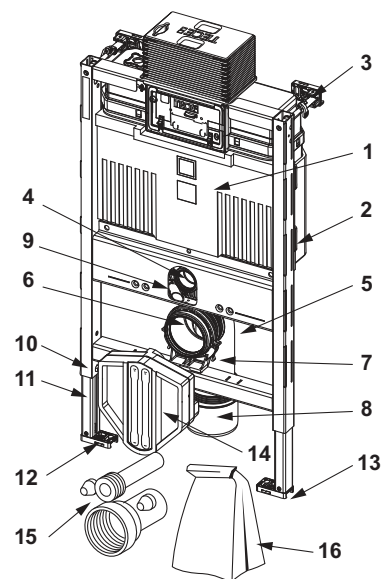
9300322 – TECEprofil toilet module with Uni cistern, installation height 980 mm

Pos.	Item No.	Designation	DU 1
1	9820101	Uni cistern 980 mm	1 pc.
2	9820040	Assembly kit for Uni cistern	1 pc.
3	9820099	Shortened flush pipe, length 185 mm	1 pc.
4	9820015	Flush pipe seal	1 pc.
5	9820134	Toilet drain bend DN 90 (PP)	1 pc.
6	9820139	Seal for drain bend DN 90	1 pc.
7	9820348	Toilet drain bend holder complete, mounting on crossbeam at bottom (from 04/2017)	1 pc.
8	9820136	Toilet connector, DN 90/100, PP	1 pc.
9	9820569	Attachment clips and conduit	1 pc.
10	9820447	Foot brake with steel spring	1 pc.
11	9820335	C-section for module foot	1 pc.
12	9820332	Module foot with toggle left	1 pc.
13	9820333	Module foot with toggle right	1 pc.
14	9820568	WC connection box	1 pc.
15	9820057	Toilet connection set, DN 90	1 pc.
16	9820043	By-pack for toilet module	1 pc.
17	9380014	Module attachment with quick closure	1 pc.



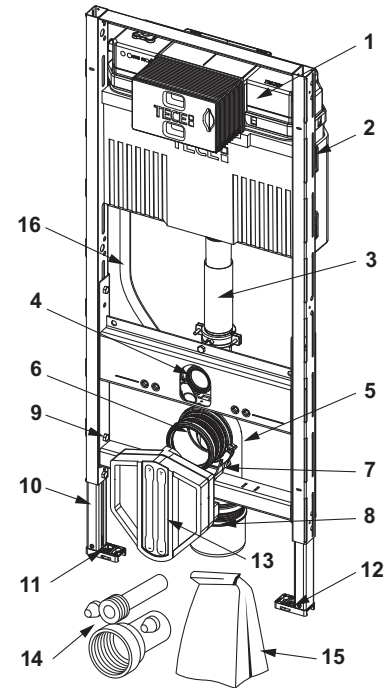
9300301 – TECEprofil toilet module with Uni cistern, installation height 820 mm

Pos.	Item No.	Designation	DU 1
1	9820100	Uni cistern 820 mm	1 pc.
2	9820040	Assembly kit for Uni cistern	1 pc.
3	9380014	Module attachment with quick closure	1 pc.
4	9820015	Flush pipe seal	1 pc.
5	9820134	Toilet drain bend DN 90 (PP)	1 pc.
6	9820139	Seal for drain bend DN 90	1 pc.
7	9820348	Toilet drain bend holder complete, mounting on crossbeam at bottom (from 04/2017)	1 pc.
8	9820136	Toilet connector, DN 90/100, PP	1 pc.
9	9820569	Attachment clips and conduit	1 pc.
10	9820447	Foot brake with steel spring	1 pc.
11	9820335	C-section for module foot	1 pc.
12	9820332	Module foot with toggle left	1 pc.
13	9820333	Module foot with toggle right	1 pc.
14	9820568	WC connection box	1 pc.
15	9820057	Toilet connection set, DN 90	1 pc.
16	9820043	By-pack for toilet module	1 pc.



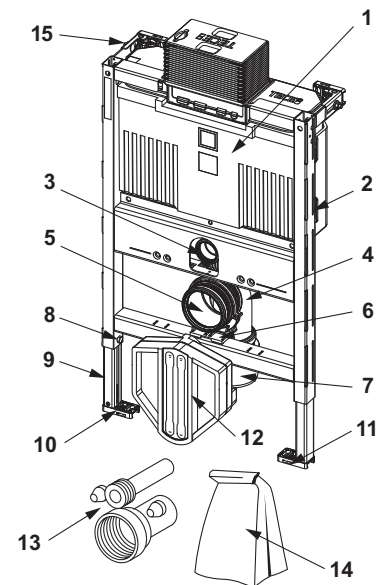
9300307 – TECEprofil toilet module with Uni cistern and variable height adjustment of the lower installation space, installation height 1120 mm

Pos.	Item No.	Designation	DU 1
1	9820118	Uni cistern height-adjustable 1120 mm	NEW 1 pc.
2	9820040	Assembly kit for Uni cistern	1 pc.
3	9820676*	Flush pipe for height-adjustable toilet module	NEW 1 pc.
4	9820015	Flush pipe seal	1 pc.
5	9820134	Toilet drain bend DN 90 (PP)	1 pc.
6	9820139	Seal for drain bend DN 90	1 pc.
7	9820348	Toilet drain bend holder complete, mounting on crossbeam at bottom (from 04/2017)	1 pc.
8	9820136	Toilet connector, DN 90/100, PP	1 pc.
9	9820447	Foot brake with steel spring	1 pc.
10	9820335	C-section for module foot	1 pc.
11	9820332	Module foot with toggle left	1 pc.
12	9820333	Module foot with toggle right	1 pc.
13	9820568	WC connection box	1 pc.
14	9820057	Toilet connection set, DN 90	1 pc.
15	9820043	By-pack for toilet module	1 pc.
16	9820569	Attachment clips and conduit	1 pc.



9300291 – TECEprofil toilet module with Uni 750-cistern, installation height 750 mm

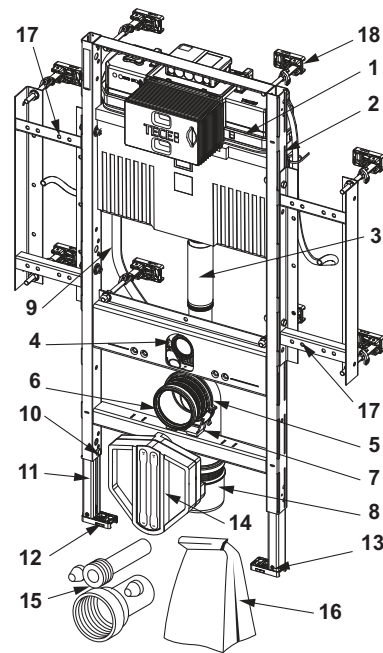
Pos.	Item No.	Designation	DU 1
1	9820633	Uni 750-cistern	1 pc.
2	9820040	Assembly kit for Uni cistern	1 pc.
3	9820015	Flush pipe seal	1 pc.
4	9820134	Toilet drain bend DN 90 (PP)	1 pc.
5	9820139	Seal for drain bend DN 90	1 pc.
6	9820348	Toilet drain bend holder complete, mounting on crossbeam at bottom (from 04/2017)	1 pc.
7	9820136	Toilet connector, DN 90/100, PP	1 pc.
8	9820447	Foot brake with steel spring	1 pc.
9	9820335	C-section for module foot	1 pc.
10	9820332	Module foot with toggle left	1 pc.
11	9820333	Module foot with toggle right	1 pc.
12	9820592	Bare-wall protection for shower-toilet connection Uni 750-cistern	1 pc.
13	9820057	Toilet connection set, DN 90	1 pc.
14	9820043	By-pack for toilet module	1 pc.
15	9820634	Module attachment with depth adjustment	1 pc.



TECEprofil – Spare parts

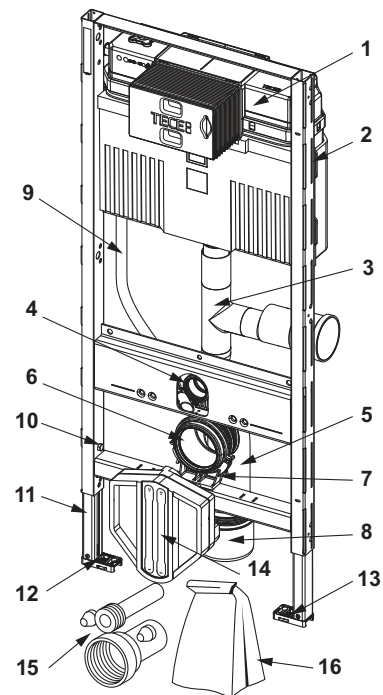
9300309 – TECEprofil WC Geronto module with Uni cistern, ceramic attachment for sitting height of 48 cm in keeping with German standard DIN 18040-1, installation height 1120 mm

Pos.	Item No.	Designation	DU 1
1	9820103	Uni cistern 1120 mm	1 pc.
2	9820040	Assembly kit for Uni cistern	1 pc.
3	9820011	Flush pipe with O-ring, length 269 mm, dry-wall construction	1 pc.
4	9820015	Flush pipe seal	1 pc.
5	9820134	Toilet drain bend DN 90 (PP)	1 pc.
6	9820139	Seal for drain bend DN 90	1 pc.
7	9820348	Toilet drain bend holder complete, mounting on crossbeam at bottom (from 04/2017)	1 pc.
8	9820136	Toilet connector, DN 90/100, PP	1 pc.
9	9820569	Attachment clips and conduit	1 pc.
10	9820447	Foot brake with steel spring	1 pc.
11	9820335	C-section for module foot	1 pc.
12	9820332	Module foot with toggle left	1 pc.
13	9820333	Module foot with toggle right	1 pc.
14	9820568	WC connection box	1 pc.
15	9820057	Toilet connection set, DN 90	1 pc.
16	9820043	By-pack for toilet module	1 pc.
17	9820437	Supporting frame set (pre 09/2022)	1 pc.
	9820655	Supporting frame set (from 10/2022)	1 pc.
18	9380014	Module attachment with quick closure	1 pc.



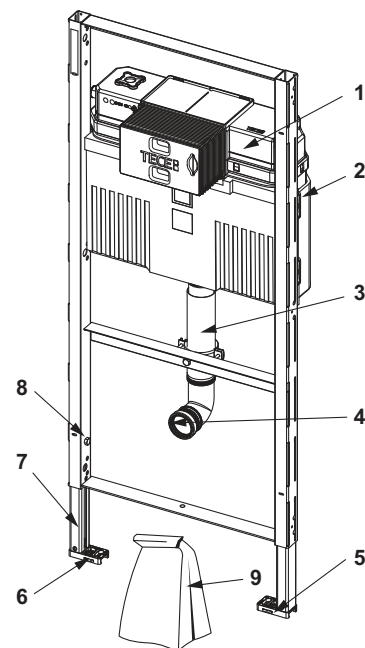
9300303 – TECEprofil toilet module with Uni cistern, with connection for odour extraction (DN 70), installation height 1120 mm

Pos.	Item No.	Designation	DU 1
1	9820103	Uni cistern 1120 mm	1 pc.
2	9820040	Assembly kit for Uni cistern	1 pc.
3	9820078	Flush pipe for odour extraction DN 70 right, 90°	1 pc.
	9820126	Flush pipe for odour extraction DN 70 left, 90°	1 pc.
	9820127	Flush pipe for odour extraction DN 50 right, 45°	1 pc.
4	9820015	Flush pipe seal	1 pc.
5	9820134	Toilet drain bend DN 90 (PP)	1 pc.
6	9820139	Seal for drain bend DN 90	1 pc.
7	9820348	Toilet drain bend holder complete, mounting on crossbeam at bottom (from 04/2017)	1 pc.
8	9820136	Toilet connector, DN 90/100, PP	1 pc.
9	9820569	Attachment clips and conduit	1 pc.
10	9820447	Foot brake with steel spring	1 pc.
11	9820335	C-section for module foot	1 pc.
12	9820332	Module foot with toggle left	1 pc.
13	9820333	Module foot with toggle right	1 pc.
14	9820568	WC connection box	1 pc.
15	9820057	Toilet connection set, DN 90	1 pc.
16	9820043	By-pack for toilet module	1 pc.



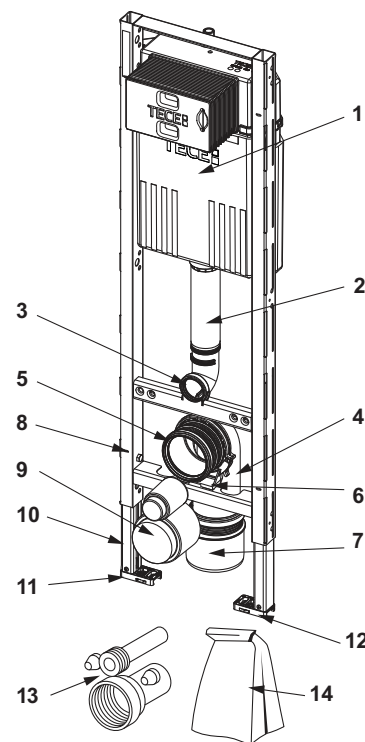
9300388 – TECEprofil toilet module "Kids" with Uni cistern, for floor-standing toilet, installation height 1120 mm

Pos.	Item No.	Designation	DU 1
1	9820103	Uni cistern 1120 mm	1 pc.
2	9820040	Assembly kit for Uni cistern	1 pc.
3	9820011	Flush pipe with O-ring, length 269 mm, dry-wall construction	1 pc.
4	9820015	Flush pipe seal	1 pc.
5	9820333	Module foot with toggle right	1 pc.
6	9820332	Module foot with toggle left	1 pc.
7	9820335	C-section for module foot	1 pc.
8	9820447	Foot brake with steel spring	1 pc.
9	9820400	By-pack for toilet module for children's standing	1 pc.



9300600 – TECEprofil toilet module with Compact 320 cistern, installation height 1120 mm

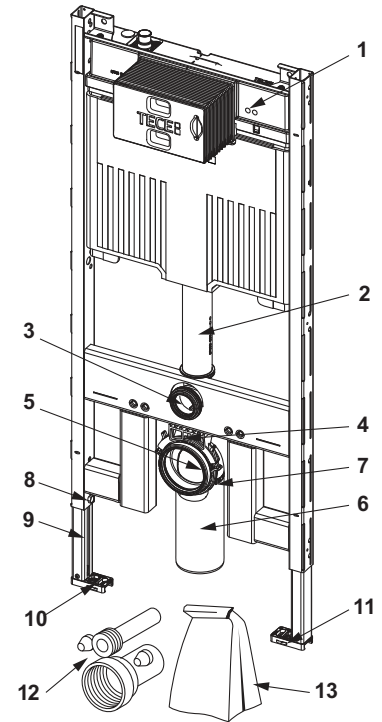
Pos.	Item No.	Designation	DU 1
1	9820107	Compact 320 cistern (not orderable separately)	1 pc.
2	9820668	Flush pipe for cisterns	1 pc.
3	9820015	Flush pipe seal	1 pc.
4	9820134	Toilet drain bend DN 90 (PP)	1 pc.
5	9820139	Seal for drain bend DN 90	1 pc.
6	9820348	Toilet drain bend holder complete, mounting on crossbeam at bottom (from 04/2017)	1 pc.
7	9820136	Toilet connector, DN 90/100, PP	1 pc.
8	9820447	Foot brake with steel spring	1 pc.
9	9820312	Bare wall toilet plug for flush pipe and drain bend	1 pc.
10	9820335	C-section for module foot	1 pc.
11	9820332	Module foot with toggle left	1 pc.
12	9820333	Module foot with toggle right	1 pc.
13	9820057	Toilet connection set, DN 90	1 pc.
14	9820494	By-pack	1 pc.



TECEprofil – Spare parts

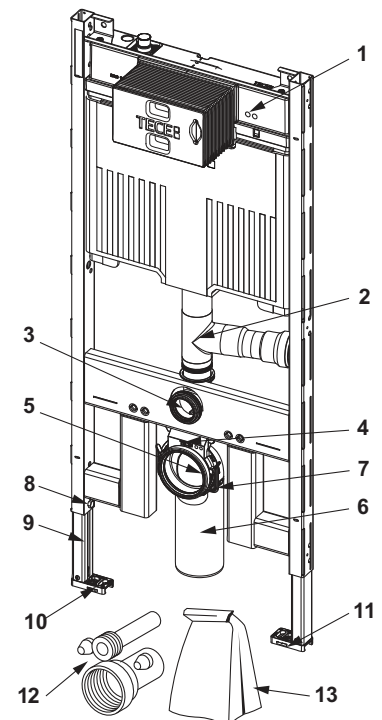
9300500 – TECEprofil toilet module with Octa II cistern, 8 cm, installation height 1120 mm

Pos.	Item No.	Designation	DU 1
1	9820565	Cistern Octa II	1 pc.
2	9820563	Flush pipe Octa cistern	1 pc.
3	9820015	Flush pipe seal	1 pc.
4	9820145	Toilet drain bend holder for dry-wall modules, clip-bar	1 pc.
5	9820139	Seal for drain bend DN 90	1 pc.
6	9820150	Toilet drain bend DN 90/90 PE-HD, for cisterns 8 cm	1 pc.
7	9820042	Bracket for toilet drain bend holder	1 pc.
8	9820447	Foot brake with steel spring	1 pc.
9	9820567	C profile long for module foot	1 pc.
10	9820332	Module foot with toggle left	1 pc.
11	9820333	Module foot with toggle right	1 pc.
12	9820057	Toilet connection set, DN 90	1 pc.
13	9820147	By-pack for toilet module with Octa cistern, 8 cm (mounting material, etc.)	1 pc.



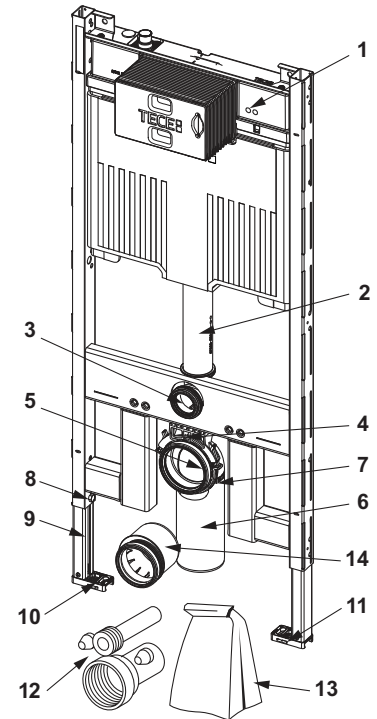
9300501 – TECEprofil toilet module with Octa II cistern, 8 cm, with connection for odour extraction, installation height 1120 mm

Pos.	Item No.	Designation	DU 1
1	9820565	Cistern Octa II	1 pc.
2	9820579	Flush pipe for odour extraction DN 50 right, 90°	1 pc.
	9820578	Flush pipe for odour extraction DN 50 left, 90°	1 pc.
3	9820015	Flush pipe seal	1 pc.
4	9820145	Toilet drain bend holder for dry-wall modules, clip-bar	1 pc.
5	9820139	Seal for drain bend DN 90	1 pc.
6	9820150	Toilet drain bend DN 90/90 PE-HD, for cisterns 8 cm	1 pc.
7	9820042	Bracket for toilet drain bend holder	1 pc.
8	9820447	Foot brake with steel spring	1 pc.
9	9820567	C profile long for module foot	1 pc.
10	9820332	Module foot with toggle left	1 pc.
11	9820333	Module foot with toggle right	1 pc.
12	9820057	Toilet connection set, DN 90	1 pc.
13	9820147	By-pack for toilet module with Octa cistern, 8 cm (mounting material, etc.)	1 pc.



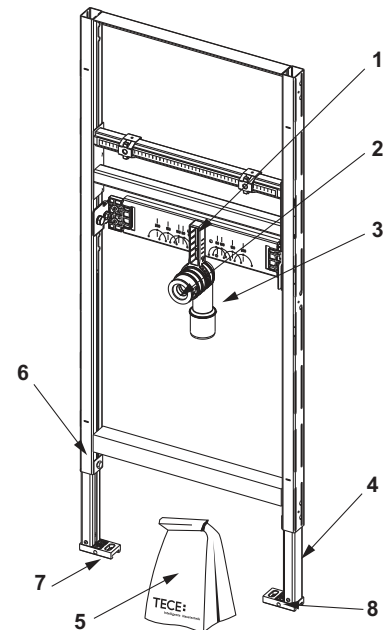
9300502 – TECEprofil toilet module with Octa II cistern 8 cm, installation height 1120 mm

Pos.	Item No.	Designation	DU 1
1	9820565	Cistern Octa II	1 pc.
2	9820563	Flush pipe Octa cistern	1 pc.
3	9820015	Flush pipe seal	1 pc.
4	9820145	Toilet drain bend holder for dry-wall modules, clip-bar	1 pc.
5	9820139	Seal for drain bend DN 90	1 pc.
6	9820150	Toilet drain bend DN 90/90 PE-HD, for cisterns 8 cm	1 pc.
7	9820042	Bracket for toilet drain bend holder	1 pc.
8	9820447	Foot brake with steel spring	1 pc.
9	9820335	C-section for module foot	1 pc.
10	9820332	Module foot with toggle left	1 pc.
11	9820333	Module foot with toggle right	1 pc.
12	9820057	Toilet connection set, DN 90	1 pc.
13	9820147	By-pack for toilet module with Octa cistern, 8 cm (mounting material, etc.)	1 pc.
14	9820136	Toilet connector, DN 90/100, PP	1 pc.



9310000 – TECEprofil washstand module, installation height 1120 mm

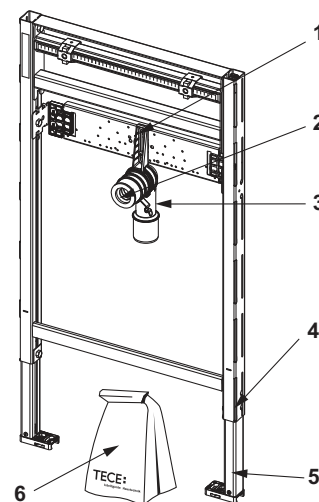
Pos.	Item No.	Designation	DU 1
1	9820034	Drain bend holder DN 50	1 pc.
2	9820059	Rubber collar nominal diameter 30/50	1 pc.
3	9820035	Drain bend DN 50/DN 40	1 pc.
4	9820335	C-section for module foot	1 pc.
5	9820067	By-pack for washstand module (mounting material, etc.)	1 pc.
6	9820447	Foot brake with steel spring	1 pc.
7	9820332	Module foot with toggle left	1 pc.
8	9820333	Module foot with toggle right	1 pc.



TECEprofil – Spare parts

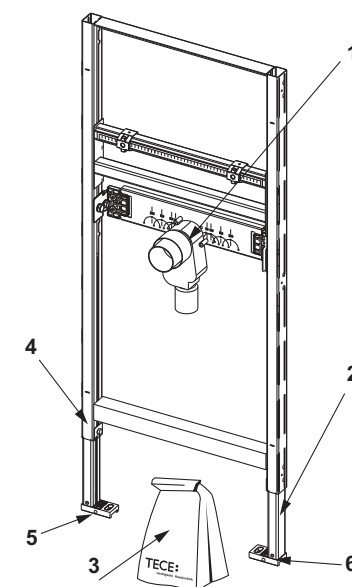
9310018 – TECEprofil washstand module, installation height 820-980 mm

Pos.	Item No.	Designation	DU 1
1	9820034	Drain bend holder DN 50	1 pc.
2	9820059	Rubber collar nominal diameter 30/50	1 pc.
3	9820035	Drain bend DN 50/DN 40	1 pc.
4	9820447	Foot brake with steel spring	1 pc.
5	9030028	Module feet, extended design	1 pc.
6	9820067	By-pack for washstand module (mounting material, etc.)	1 pc.



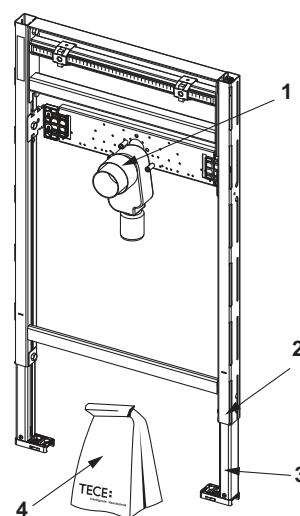
9310004 – TECEprofil washstand module with concealed odour trap, installation height 1120 mm

Pos.	Item No.	Designation	DU 1
1	9820070	Flush-mounted trap	1 pc.
2	9820335	C-section for module foot	1 pc.
3	9820067	By-pack for washstand module (mounting material, etc.)	1 pc.
4	9820447	Foot brake with steel spring	1 pc.
5	9820332	Module foot with toggle left	1 pc.
6	9820333	Module foot with toggle right	1 pc.



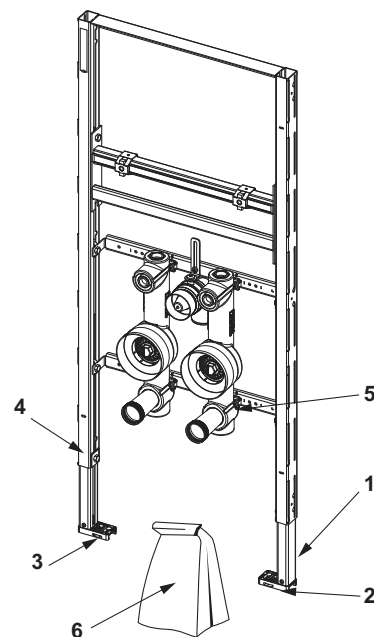
9310019 – TECEprofil washstand module with concealed odour trap, installation height 820-980 mm

Pos.	Item No.	Designation	DU 1
1	9820070	Flush-mounted trap	1 pc.
2	9820447	Foot brake with steel spring	1 pc.
3	9030028	Module feet, extended design	1 pc.
4	9820067	By-pack for washstand module (mounting material, etc.)	1 pc.



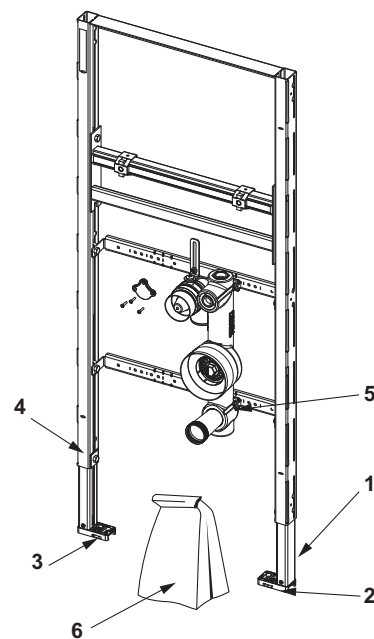
9310025 – TECEprofil washbasin module incl. two insulated and lockable mounting blocks, suitable for accommodating water meter measuring capsules with coax G 2", installation height 1120 mm

Pos.	Item No.	Designation	DU 1
1	9820335	C-section for module foot	1 pc.
2	9820333	Module foot with toggle right	1 pc.
3	9820332	Module foot with toggle left	1 pc.
4	9820447	Foot brake with steel spring	1 pc.
5	9820691	Inner upper part 3/4" for water meter housing	1 pc.
6	9820719	Kit for washstand module water meter hot/cold water	NEW 1 pc.



9310026 – TECEprofil washbasin module including an insulated and lockable mounting block, suitable for accommodating a water meter measuring capsule with coaxial G 2", installation height 1120 mm

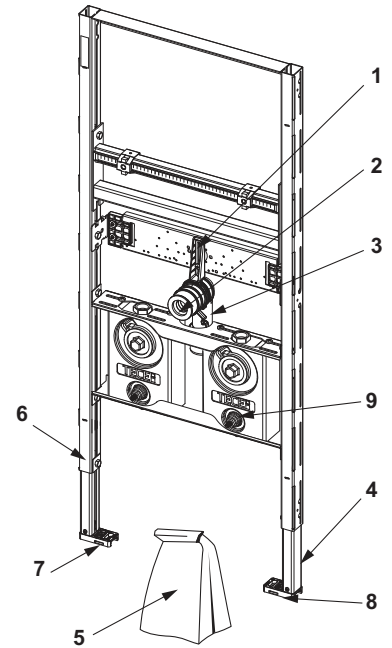
Pos.	Item No.	Designation	DU 1
1	9820335	C-section for module foot	1 pc.
2	9820333	Module foot with toggle right	1 pc.
3	9820332	Module foot with toggle left	1 pc.
4	9820447	Foot brake with steel spring	1 pc.
5	9820691	Inner upper part 3/4" for water meter housing	1 pc.
6	9820661	Kit for washstand module water meter cold water	NEW 1 pc.



TECEprofil – Spare parts

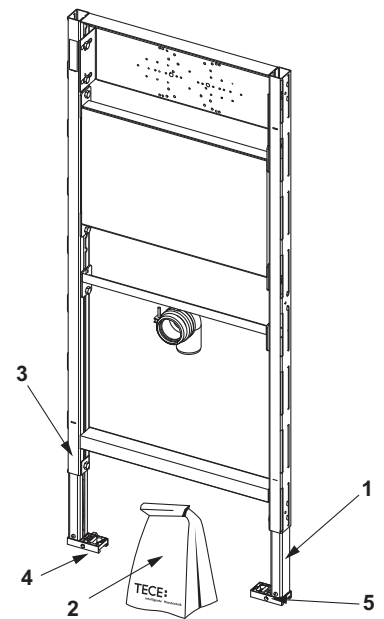
9310017 – TECEprofil washstand module including two assembly blocks for mounting water meter measuring capsules, installation height 1120 mm

Pos.	Item No.	Designation	DU 1
1	9820034	Drain bend holder DN 50	1 pc.
2	9820059	Rubber collar nominal diameter 30/50	1 pc.
3	9820035	Drain bend DN 50/DN 40	1 pc.
4	9820335	C-section for module foot	1 pc.
5	9820067	By-pack for washstand module (mounting material, etc.)	1 pc.
6	9820447	Foot brake with steel spring	1 pc.
7	9820332	Module foot with toggle left	1 pc.
8	9820333	Module foot with toggle right	1 pc.
9	9820691	Inner upper part 3/4" for water meter housing	1 pc.



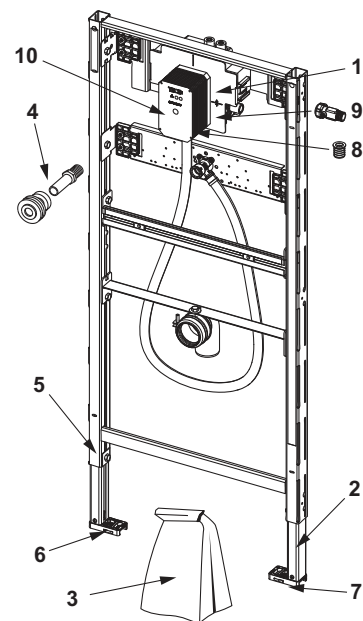
9310002 – TECEprofil washstand module for sink, installation height 1120 mm

Pos.	Item No.	Designation	DU 1
1	9820335	C-section for module foot	1 pc.
2	9820067	By-pack for washstand module (mounting material, etc.)	1 pc.
3	9820447	Foot brake with steel spring	1 pc.
4	9820332	Module foot with toggle left	1 pc.
5	9820333	Module foot with toggle right	1 pc.



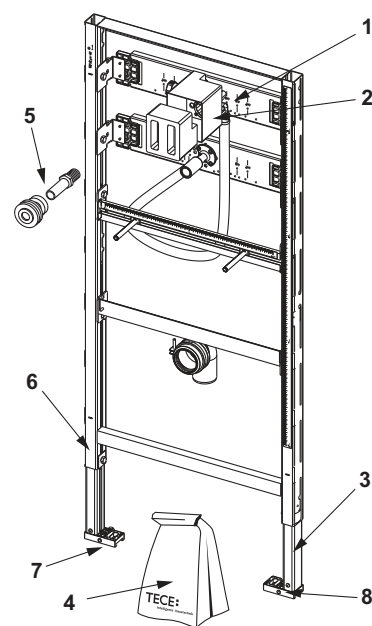
9320013 – TECEprofil urinal module with TECE flush valve housing U 2, installation height 1120 mm

Pos.	Item No.	Designation	DU 1
1	9820553	Transformer 230 V/12 V	1 pc.
2	9820335	C-section for module foot	1 pc.
3	9820440	By-pack for urinal flush valve U 2	1 pc.
4	9820055	Inlet fittings for urinal, 1/2"	1 pc.
5	9820447	Foot brake with steel spring	1 pc.
6	9820332	Module foot with toggle left	1 pc.
7	9820333	Module foot with toggle right	1 pc.
8	9820424	Seal water outlet	1 pc.
9	9820715	Pre-valve flush valve U 2 (from 03/2025)	NEW 1 pc.
10	9820470	Bare-wall protection urinal flush valve housing U 2	1 pc.



9320008 – TECEprofil urinal module with TECE flush valve housing U 1, installation height 1120 mm

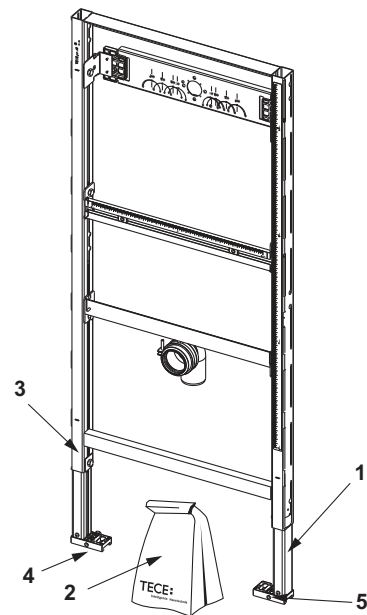
Pos.	Item No.	Designation	DU 1
1	9820074	Urinal flush valve housing U 1 with plug	1 pc.
2	9820075	Bare-wall protection, supporting body, screws flush valve housing U 1	1 pc.
3	9820335	C-section for module foot	1 pc.
4	9820076	By-pack for urinal module (mounting material, etc.)	1 pc.
5	9820055	Inlet fittings for urinal, 1/2"	1 pc.
6	9820447	Foot brake with steel spring	1 pc.
7	9820332	Module foot with toggle left	1 pc.
8	9820333	Module foot with toggle right	1 pc.



TECEprofil – Spare parts

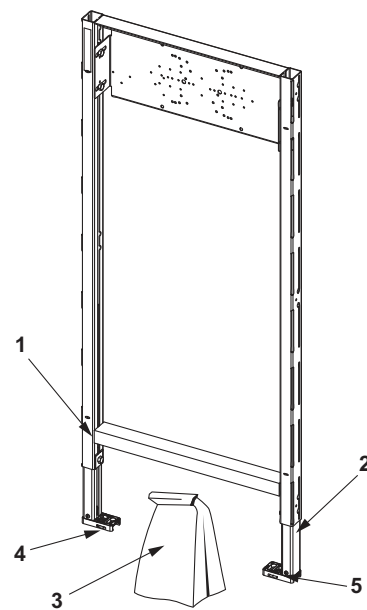
9320010 – TECEprofil urinal module for wall-mounted flush valve, installation height 1120 mm

Pos.	Item No.	Designation	DU 1
1	9820335	C-section for module foot	1 pc.
2	9820079	By-pack for wall-mounted urinal module (mounting material, etc.)	1 pc.
3	9820447	Foot brake with steel spring	1 pc.
4	9820332	Module foot with toggle left	1 pc.
5	9820333	Module foot with toggle right	1 pc.



9340002 – TECEprofil bath/shower module adjustable crossbeam for flush-mounted and wall-mounted fittings, installation height 1120 mm

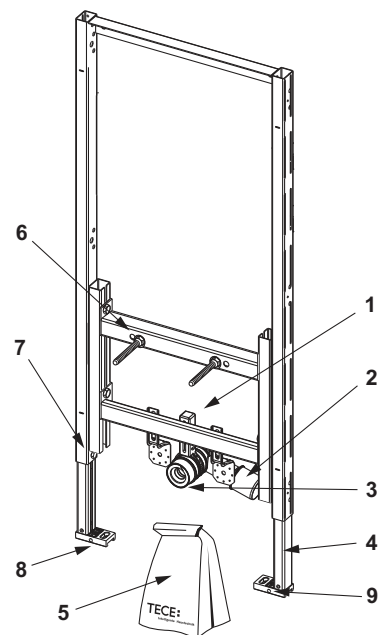
Pos.	Item No.	Designation	DU 1
1	9820335	C-section for module foot	1 pc.
2	9820447	Foot brake with steel spring	1 pc.
3	9820096	By-pack for bath/shower module (mounting material, etc.)	1 pc.
4	9820332	Module foot with toggle left	1 pc.
5	9820333	Module foot with toggle right	1 pc.



9330000 – TECEprofil bidet module for wall-mounted bidet, installation height 1120 mm

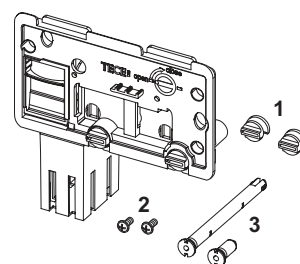
9330005 – TECEprofil bidet module for wall-mounted bidet, installation height 820 mm

Pos.	Item No.	Designation	DU 1
1	9820034	Drain bend holder DN 50	1 pc.
2	9820035	Drain bend DN 50/DN 40	1 pc.
3	9820059	Rubber collar nominal diameter 30/50	1 pc.
4	9820335	C-section for module foot	1 pc.
5	9820047	By-pack for bidet module (mounting material, etc.)	1 pc.
6	9820071	Clinch nut	1 pc.
7	9820447	Foot brake with steel spring	1 pc.
8	9820332	Module foot with toggle left	1 pc.
9	9820333	Module foot with toggle right	1 pc.



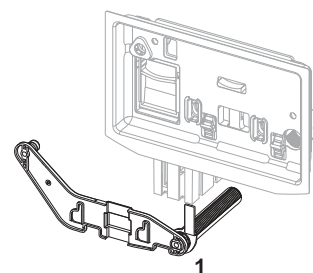
9240950 – TECE insert chute for cleaning tablets

Pos.	Item No.	Designation	DU 1
1	9820191	Clamping screws set	1 pc.
2	9820263	Fastening screws (2003-2020)	1 pc.
3	9820349	Guide rods for insert chute	1 pc.



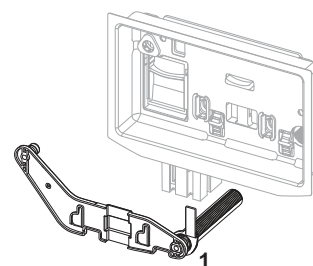
9240951 – TECE insert chute II for cleaning tablets (TECElux Mini, TECEsquare glass, TECEvelvet, TECEloop and TECEnow)

Pos.	Item No.	Designation	DU 1
1	9820688	Guide rods for insert chute II	1 pc.



9240952 – TECE insert chute II for cleaning tablets (TECEsquare II metal, TECEsquare II glass and TECEsolid)

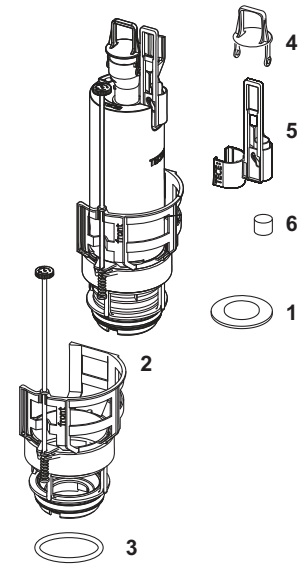
Pos.	Item No.	Designation	DU 1
1	9820693	Guide rods for insert chute II	1 pc.



TECEprofil – Spare parts

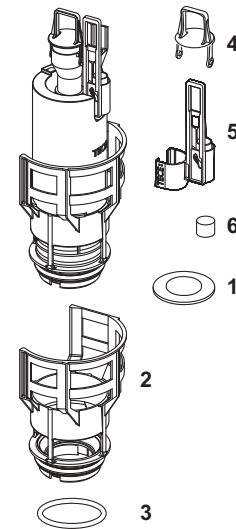
9820223 – TECE drain valve A 2

Pos.	Item No.	Designation	DU 1
1	9820233	Gasket (drain valve)	1 pc.
2	9820670	Valve seat with adjustable flush flow throttle	1 pc.
3	9820005	O-ring (valve seat)	1 pc.
4	9820222	Draw eyelet	1 pc.
5	9820229	Pull rod for electrical actuation	1 pc.
6	9820420	Additional weight small pull rod	1 pc.



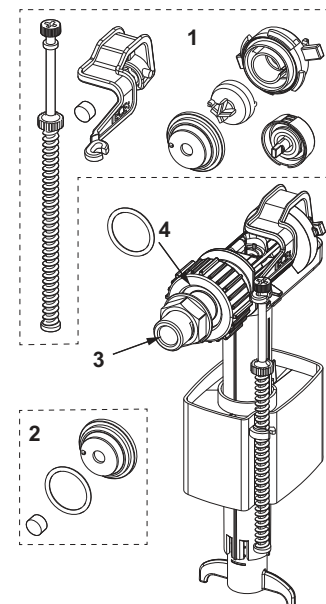
9820588 – TECE drain valve A 6 for Uni 750-cistern

Pos.	Item No.	Designation	DU 1
1	9820233	Gasket (drain valve)	1 pc.
2	9820653	Valve seat for drain valve A 6 including throttle	1 pc.
3	9820005	O-ring (valve seat)	1 pc.
4	9820222	Draw eyelet	1 pc.
5	9820229	Pull rod for electrical actuation	1 pc.
6	9820420	Additional weight small pull rod	1 pc.



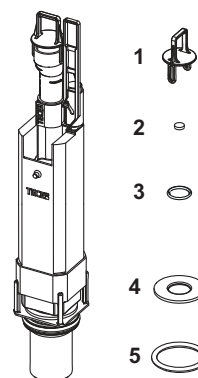
9820353 – TECE filling valve F 10 universal

Pos.	Item No.	Designation	DU 1
1	9820382	Filling valve F 10 valve lever set	1 pc.
2	9820383	Filling valve F 10 sealing kit	1 pc.
3	9820398	Filling valve F 10 threaded connection 3/8"	1 pc.
4	9820587	Filling valve F 10 water connection O-ring M 30	1 pc.



9820561 – TECE drain valve A 5

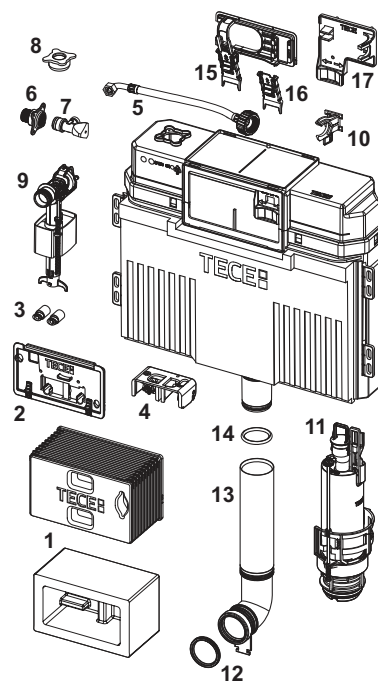
Pos.	Item No.	Designation	DU 1
1	9820564	Draw eyelet drain valve A 5	1 pc.
2	9820275	Additional weight drain valve A 3 and A 5	1 pc.
3	9820446	O-ring joint for drain valve A 3 and A 5 (10 pieces)	1 pc.
4	9820161	Foot seal A 3 and A 5	1 pc.
5	9820220	O-ring valve seat for drain valve A 3 and A 5	1 pc.



9820103 – TECE Uni cistern 1120 mm

Valid from: April 2021

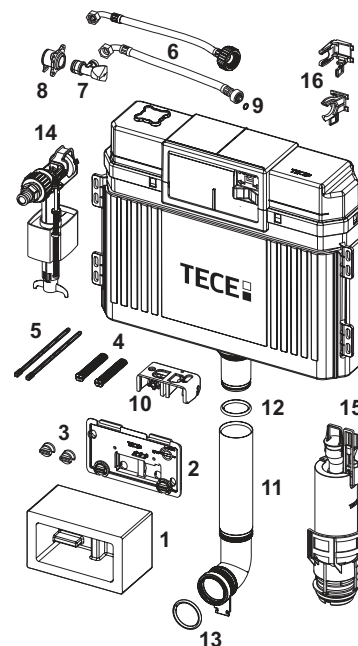
Pos.	Item No.	Designation	DU 1
1	9820499	Installation tunnel incl. polystyrene block	1 pc.
	9820027	Bare-wall protection system	1 pc.
2	9820017	Splash guard, complete	1 pc.
3	9820496	"easy fit" attachment (from 2021)	1 pc.
4	9820016	Actuation block	1 pc.
5	9820374	Reinforced hose M 30 (from 2020)	1 pc.
6	9820012	Cistern connection	1 pc.
7	9820013	Corner valve	1 pc.
8	9820495	Closure plug Uni cistern	1 pc.
9	9820353	Filling valve F 10 universal	1 pc.
10	9820373	Filling valve holder for Uni cistern (27 mm, M 30, from 2020)	1 pc.
11	9820223	Drain valve A 2	1 pc.
12	9820015	Flush pipe seal	1 pc.
13	9820011	Flush pipe with O-ring, length 269 mm, dry-wall construction	1 pc.
	9820331	Extra long flush pipe, length 369 mm	1 pc.
14	9820014	O-ring	1 pc.
15	9820698	Hold-down device version slider	1 pc.
16	9820699	Slider for hold-down device	1 pc.
17	9820700	Hold-down device version replacement 2003-2014	1 pc.



TECEprofil – Spare parts

Valid till: March 2021

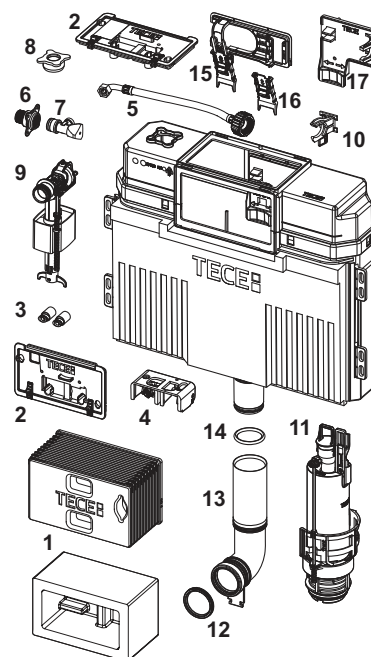
Pos.	Item No.	Designation	DU 1
1	9820027	Bare-wall protection system	1 pc.
2	9820017	Splash guard, complete	1 pc.
3	9820018	Clamping screws	1 pc.
4	9820019	Attaching rods (2003-2020)	1 pc.
5	9820022	Actuation rods (2003-2020)	1 pc.
6	9820026	Reinforced hose 3/8" (until 2019)	1 pc.
	9820374	Reinforced hose M 30 (from 2020)	1 pc.
7	9820013	Corner valve	1 pc.
8	9820012	Cistern connection	1 pc.
9	9820025	O-ring	1 pc.
10	9820016	Actuation block	1 pc.
11	9820011	Flush pipe with O-ring, length 269 mm, dry-wall construction	1 pc.
	9820331	Extra long flush pipe, length 369 mm	1 pc.
12	9820014	O-ring	1 pc.
13	9820015	Flush pipe seal	1 pc.
14	9820353	Filling valve F 10 universal	1 pc.
15	9820223	Drain valve A 2	1 pc.
16	9820372	Filling valve holder for Uni cistern (17 mm, 3/8", up to 2019)	1 pc.
	9820373	Filling valve holder for Uni cistern (27 mm, M 30, from 2020)	1 pc.



9820101 – TECE Uni cistern 980 mm

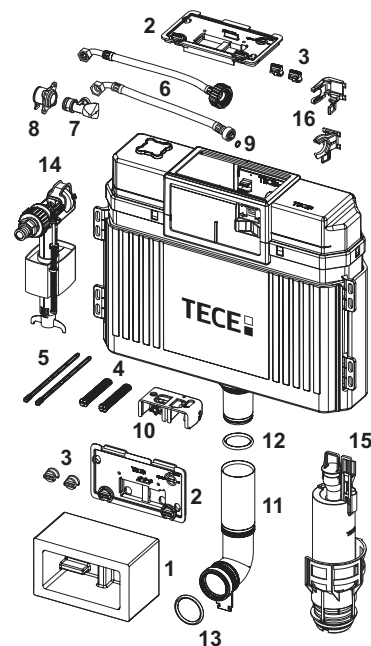
Valid from: April 2021

Pos.	Item No.	Designation	DU 1
1	9820499	Installation tunnel incl. polystyrene block	1 pc.
	9820027	Bare-wall protection system	1 pc.
2	9820017	Splash guard, complete	1 pc.
3	9820496	"easy fit" attachment (from 2021)	1 pc.
4	9820016	Actuation block	1 pc.
5	9820374	Reinforced hose M 30 (from 2020)	1 pc.
6	9820012	Cistern connection	1 pc.
7	9820013	Corner valve	1 pc.
8	9820495	Closure plug Uni cistern	1 pc.
9	9820353	Filling valve F 10 universal	1 pc.
10	9820373	Filling valve holder for Uni cistern (27 mm, M 30, from 2020)	1 pc.
11	9820223	Drain valve A 2	1 pc.
12	9820015	Flush pipe seal	1 pc.
13	9820099	Shortened flush pipe, length 185 mm	1 pc.
14	9820014	O-ring	1 pc.
15	9820698	Hold-down device version slider	1 pc.
16	9820699	Slider for hold-down device	1 pc.
17	9820700	Hold-down device version replacement 2003-2014	1 pc.



Valid till: March 2021

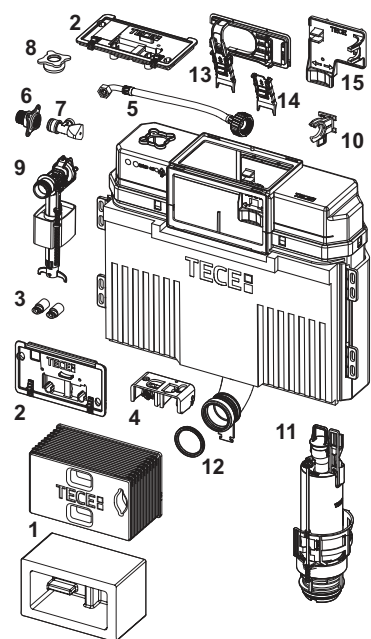
Pos.	Item No.	Designation	DU 1
1	9820027	Bare-wall protection system	1 pc.
2	9820017	Splash guard, complete	1 pc.
3	9820018	Clamping screws	1 pc.
4	9820019	Attaching rods (2003-2020)	1 pc.
5	9820022	Actuation rods (2003-2020)	1 pc.
6	9820026	Reinforced hose 3/8" (until 2019)	1 pc.
	9820374	Reinforced hose M 30 (from 2020)	1 pc.
7	9820013	Corner valve	1 pc.
8	9820012	Cistern connection	1 pc.
9	9820025	O-ring	1 pc.
10	9820016	Actuation block	1 pc.
11	9820099	Shortened flush pipe, length 185 mm	1 pc.
12	9820014	O-ring	1 pc.
13	9820015	Flush pipe seal	1 pc.
14	9820353	Filling valve F 10 universal	1 pc.
15	9820223	Drain valve A 2	1 pc.
16	9820372	Filling valve holder for Uni cistern (17 mm, 3/8", up to 2019)	1 pc.
	9820373	Filling valve holder for Uni cistern (27 mm, M 30, from 2020)	1 pc.



9820100 – TECE Uni cistern 820 mm

Valid from: April 2021

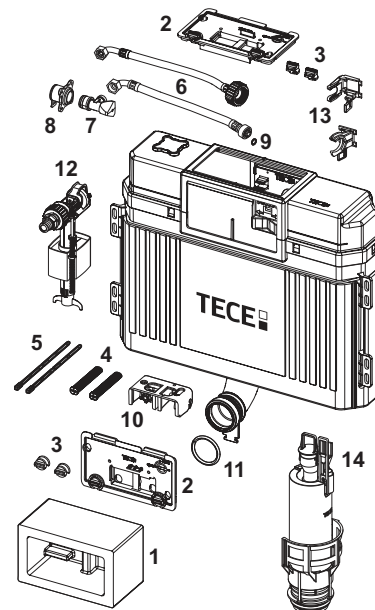
Pos.	Item No.	Designation	DU 1
1	9820499	Installation tunnel incl. polystyrene block	1 pc.
	9820027	Bare-wall protection system	1 pc.
2	9820017	Splash guard, complete	1 pc.
3	9820496	"easy fit" attachment (from 2021)	1 pc.
4	9820016	Actuation block	1 pc.
5	9820374	Reinforced hose M 30 (from 2020)	1 pc.
6	9820012	Cistern connection	1 pc.
7	9820013	Corner valve	1 pc.
8	9820495	Closure plug Uni cistern	1 pc.
9	9820353	Filling valve F 10 universal	1 pc.
10	9820373	Filling valve holder for Uni cistern (27 mm, M 30, from 2020)	1 pc.
11	9820223	Drain valve A 2	1 pc.
12	9820015	Flush pipe seal	1 pc.
13	9820698	Hold-down device version slider	1 pc.
14	9820699	Slider for hold-down device	1 pc.
15	9820700	Hold-down device version replacement 2003-2014	1 pc.



TECEprofil – Spare parts

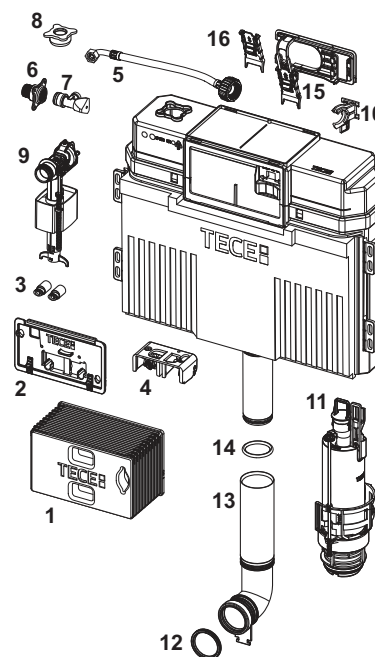
Valid till: March 2021

Pos.	Item No.	Designation	DU 1
1	9820027	Bare-wall protection system	1 pc.
2	9820017	Splash guard, complete	1 pc.
3	9820018	Clamping screws	1 pc.
4	9820019	Attaching rods (2003-2020)	1 pc.
5	9820022	Actuation rods (2003-2020)	1 pc.
6	9820026	Reinforced hose 3/8" (until 2019)	1 pc.
	9820374	Reinforced hose M 30 (from 2020)	1 pc.
7	9820013	Corner valve	1 pc.
8	9820012	Cistern connection	1 pc.
9	9820025	O-ring	1 pc.
10	9820016	Actuation block	1 pc.
11	9820015	Flush pipe seal	1 pc.
12	9820353	Filling valve F 10 universal	1 pc.
13	9820372	Filling valve holder for Uni cistern (17 mm, 3/8", up to 2019)	1 pc.
	9820373	Filling valve holder for Uni cistern (27 mm, M 30, from 2020)	1 pc.
14	9820223	Drain valve A 2	1 pc.



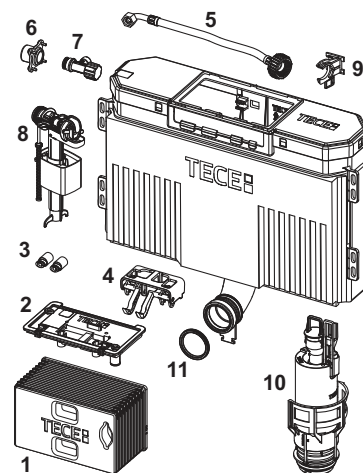
9820118 – TECE Uni cistern height-adjustable 1120 mm

Pos.	Item No.	Designation	DU 1
1	9820499	Installation tunnel incl. polystyrene block	1 pc.
2	9820017	Splash guard, complete	1 pc.
3	9820496	"easy fit" attachment (from 2021)	1 pc.
4	9820016	Actuation block	1 pc.
5	9820374	Reinforced hose M 30 (from 2020)	1 pc.
6	9820012	Cistern connection	1 pc.
7	9820013	Corner valve	1 pc.
8	9820495	Closure plug Uni cistern	1 pc.
9	9820353	Filling valve F 10 universal	1 pc.
10	9820373	Filling valve holder for Uni cistern (27 mm, M 30, from 2020)	1 pc.
11	9820223	Drain valve A 2	1 pc.
12	9820015	Flush pipe seal	1 pc.
13	9820676*	Flush pipe for height-adjustable toilet module	NEW 1 pc.
14	9820014	O-ring	1 pc.
15	9820698	Hold-down device version slider	1 pc.
16	9820699	Slider for hold-down device	1 pc.



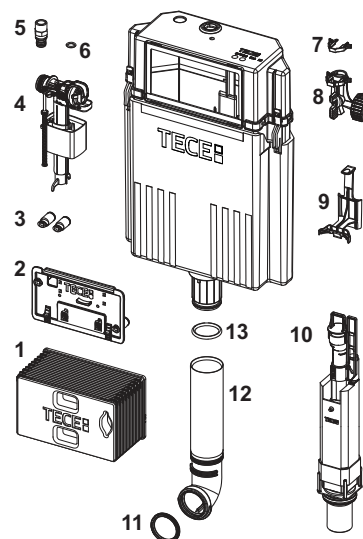
9820633 – TECE Uni 750-cistern

Pos.	Item No.	Designation	DU 1
1	9820598	Installation tunnel incl. polystyrene block Uni 750-cistern	1 pc.
2	9820593	Splash guard, complete	1 pc.
3	9820496	"easy fit" attachment (from 2021)	1 pc.
4	9820595	Actuation block Uni 750-cistern	1 pc.
5	9820596	Reinforced hose M 30 Uni 750-cistern	1 pc.
6	9820012	Cistern connection	1 pc.
7	9820013	Corner valve	1 pc.
8	9820353	Filling valve F 10 universal	1 pc.
9	9820373	Filling valve holder for Uni cistern (27 mm, M 30, from 2020)	1 pc.
10	9820588	Drain valve A 6	1 pc.
11	9820015	Flush pipe seal	1 pc.



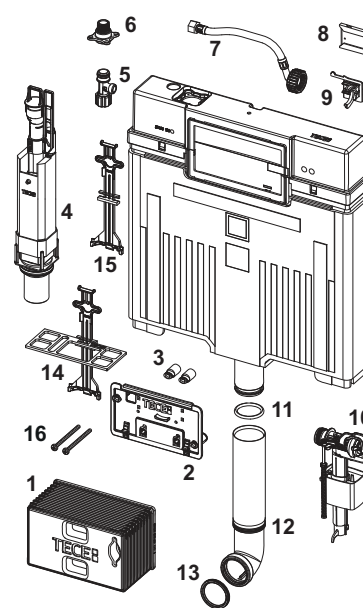
9820107 – TECE Compact 320 cistern (not orderable separately)

Pos.	Item No.	Designation	DU 1
1	9820499	Installation tunnel incl. polystyrene block	1 pc.
2	9820194	Splash guard, complete	1 pc.
3	9820496	"easy fit" attachment (from 2021)	1 pc.
4	9820353	Filling valve F 10 universal	1 pc.
5	9820378	Water connection nipple 1/2" for Base and Compact cisterns	1 pc.
6	9820235	O-ring for 1/2" water connection nipple	1 pc.
7	9820381	Safety clip for 3-way corner valve	1 pc.
8	9820492	3-way corner valve	1 pc.
9	9820667	Hold-down device for drain valve	1 pc.
10	9820561	Drain valve A 5	1 pc.
11	9820015	Flush pipe seal	1 pc.
12	9820668	Flush pipe for cisterns	1 pc.
13	9820014	O-ring	1 pc.



9820565 – TECE cistern Octa II

Pos.	Item No.	Designation	DU 1
1	9820499	Installation tunnel incl. polystyrene block	1 pc.
2	9820194	Splash guard, complete	1 pc.
3	9820496	"easy fit" attachment (from 2021)	1 pc.
4	9820561	Drain valve A 5	1 pc.
5	9820013	Corner valve	1 pc.
6	9820012	Cistern connection	1 pc.
7	9820562	Reinforced hose	1 pc.
8	9820216	Retainer for filling valve holder	1 pc.
9	9820375	Filling valve holder for Octa cistern (27 mm, M 30)	1 pc.
10	9820353	Filling valve F 10 universal	1 pc.
11	9820014	O-ring	1 pc.
12	9820563	Flush pipe Octa cistern	1 pc.
13	9820015	Flush pipe seal	1 pc.
14	9820439	Stiffening element incl. hold-down device	1 pc.
15	9820163	Hold-down drain device valve for cisterns 8 cm	1 pc.
16	9820574	"easy fit" attachment screws, short	1 pc.



TECEprofil – Spare parts

TECE flush valve cartridge U 1

Flush valve cartridge for flush valve housing U 1.

Item No.	DU 1
9820031	1 pc.



TECE seal for flush pipe connection

Item No.	DU 1
9820213	1 pc.



TECE flush pipe connection 20 cm

PP flush pipe connection for wall-mounted toilets.

Item No.	DU 1
9820246	1 pc.



Sanitary Systems

TECEconstruct SANITARY MODULES

Sanitary Modules



	Page
Toilet modules with Uni cistern	188
Accessories	189
Spare parts	191

TECEconstruct – Toilet modules with Uni cistern

TECEconstruct toilet module with Uni cistern, four standing feet, installation height 1120 mm

Toilet module including “easy fit” flush plate installation. Suitable for installation in metal or wooden stud walls, in front of solid walls or for free-standing assembly.

Uni cistern for front actuation:

- Safety tank made of impact-resistant plastic, tested to EN 14055
- Cistern fully pre-assembled and sealed
- Cistern connection with outer thread R 1/2" at the side, compatible with quick adapters
- 10 litre tank volume; 6 litre pre-set standard flush volume, 4.5/7.5/9 litre flush volume can be set at any time; 3 litre partial flush volume for dual-flush system; optional setting of a 4/2 litre flush volume possible; remaining volume can be used for immediate cleaning flush.
- Insulated against condensation water
- For TECE flush plates and toilet flush handle
- Can be used as a single or dual-flush cistern
- “easy fit” flush plate installation
- Low-noise hydraulic filling valve, fitting group 1 according to DIN 4109
- Flow control throttle without removing the drain valve

Module frame:

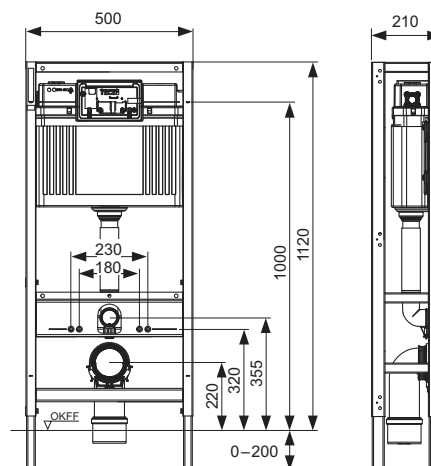
- Self-supporting with four standing feet, powder-coated
- Two M 12 retaining bolts and nuts
- Four anchor pegs M 8 x 90 for floor attachment
- Toilet drain bend DN 90 with joint adapter DN 90/100, made of PP
- Joint adapter also suitable for horizontal installation
- DN 90 toilet connection set including protective plug

Please order separately:

- Toilet flush plate (see flush plates)
- Insert chute for cleaning tablets (optional)
- TECE upgrade set dry-wall for TECE shower toilets (optional)

Note:

If toilet ceramics with a reduced supporting surface are used (= distance from middle of fixing bolt to lower edge of supporting surface is not larger than 18 cm) - e.g. V & B Memento, SentiQue, Subway 2.0 - it is necessary to install the steel brace set 9041029 in the lower build space.



Item No.	DU 1	DU 2	DU 3
9500393	1 pc.	8 pc.	16 pc.

TECE toilet connection set DN 90

Toilet connection set for wall-mounted toilets.

Consisting of:

- Waste water connection pipe with seal
- Flush pipe connection with seal
- Toilet mounting set with caps



Version	Length	Item No.	DU 1	DU 2
PP	200 mm	9820057	1 pc.	250 pc.
PE	300 mm	9820214	1 pc.	-
PE	400 mm	9820305	1 pc.	-

TECE toilet connection set split-level 25 mm, DN 90

PE connection set split-level 25 mm for wall-hung toilets, DN 90, including mounting materials.

Note:

Without warranty, may lead to reduced non-standard flushing performance.



Item No.	DU 1	DU 2
9880073	1 set	10 set

TECE upgrade set dry-wall for TECE shower toilets

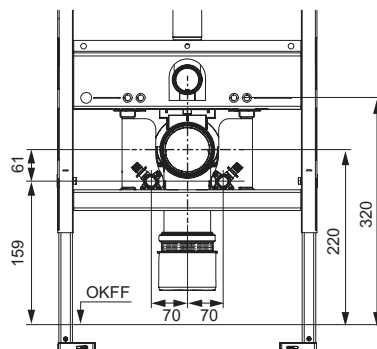
Sound-decoupled shell construction set for pre-fitting dry-wall modules with Uni and Base cisterns for the water connection of a TECE shower toilet.

Shell set consisting of:

- Holding plates for hot and cold water connections
- Sound insulation for wall discs
- Fixing screws for wall discs
- Safety pins for holding plates



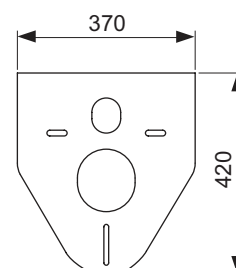
Item No.	DU 1	DU 2
9880046	1 pc.	100 pc.



TECE sound-insulation kit for toilet and bidet

Sound insulation kit for sound insulation between the toilet or bidet ceramics and tile layer.

Item No.	DU 1	DU 2	DU 3
9200010	1 pc.	10 pc.	50 pc.



TECE drain valve A 2

Drain valve for combination with Uni and Base cisterns, including valve seat with flow control throttle, red and blue throttles and operating levers.

Item No.	DU 1
9820223	1 pc.



TECE filling valve F 10 universal

Universal filling valve for installation in all TECE cisterns as well as almost all standard flush-mounted and wall-mounted cisterns from other manufacturers.

Product details:

- 3/8" metal connection thread
- Flow pressure 0.5-10 bar
- Minimum flow pressure 0.5 bar
- Adjustable fill height
- Adjustable outflow pipe
- Low-noise in accordance with group I (DIN 4109)
- Compact design
- Incl. adapter and attachment nut
- Tested according to EN 14124



Item No.	DU 1	DU 2	DU 3
9820353	1 pc.	10 pc.	240 pc.

TECE throttle set for Uni and Base cisterns

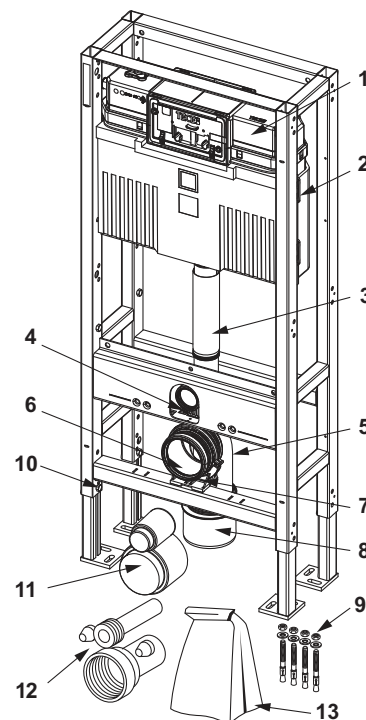
Throttle set to adapt the Uni and Base cistern flushing pressure, installs in valve seat of drain valve, diameter 46-28 mm.

Item No.	DU 1	DU 2
9820337*	1 pc.	100 pc.



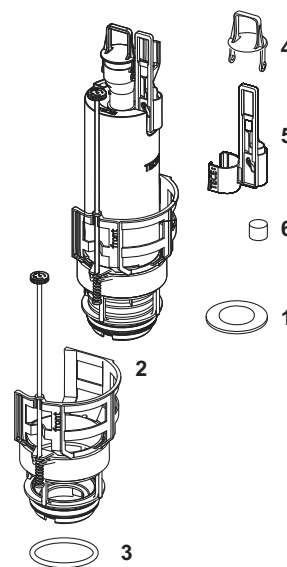
9500393 – TECEconstruct toilet module with Uni cistern, four standing feet, installation height 1120 mm

Pos.	Item No.	Designation	DU 1
1	9820103	Uni cistern 1120 mm	1 pc.
2	9820040	Assembly kit for Uni cistern	1 pc.
3	9820011	Flush pipe with O-ring, length 269 mm, dry-wall construction	1 pc.
4	9820015	Flush pipe seal	1 pc.
5	9820134	Toilet drain bend DN 90 (PP)	1 pc.
6	9820139	Seal for drain bend DN 90	1 pc.
7	9820348	Toilet drain bend holder complete, mounting on crossbeam at bottom (from 04/2017)	1 pc.
8	9820136	Toilet connector, DN 90/100, PP	1 pc.
9	9820339	Anchor pegs stainless steel M 8 with washer	1 pc.
10	9820447	Foot brake with steel spring	1 pc.
11	9820312	Bare wall toilet plug for flush pipe and drain bend	1 pc.
12	9820057	Toilet connection set, DN 90	1 pc.
13	9820043	By-pack for toilet module	1 pc.



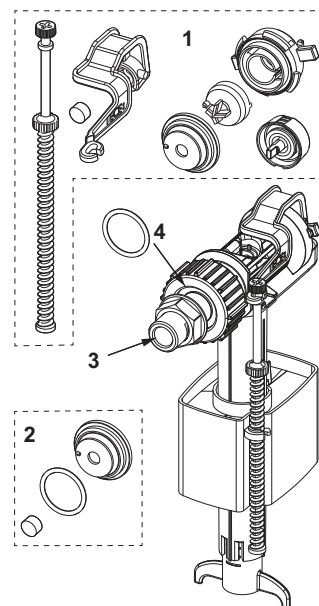
9820223 – TECE drain valve A 2

Pos.	Item No.	Designation	DU 1
1	9820233	Gasket (drain valve)	1 pc.
2	9820670	Valve seat with adjustable flush flow throttle	1 pc.
3	9820005	O-ring (valve seat)	1 pc.
4	9820222	Draw eyelet	1 pc.
5	9820229	Pull rod for electrical actuation	1 pc.
6	9820420	Additional weight small pull rod	1 pc.



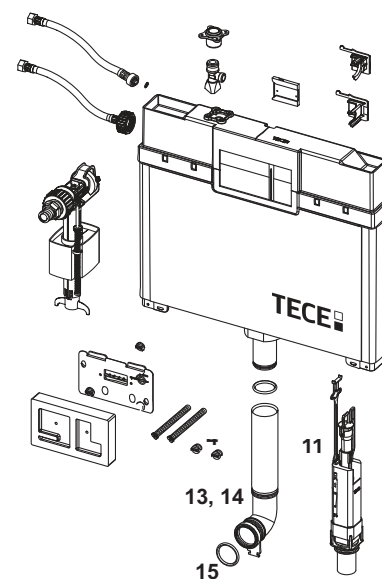
9820353 – TECE filling valve F 10 universal

Pos.	Item No.	Designation	DU 1
1	9820382	Filling valve F 10 valve lever set	1 pc.
2	9820383	Filling valve F 10 sealing kit	1 pc.
3	9820398	Filling valve F 10 threaded connection 3/8"	1 pc.
4	9820587	Filling valve F 10 water connection O-ring M 30	1 pc.



9820250 – TECE Octa cistern, 8 cm (available until 09/2021)

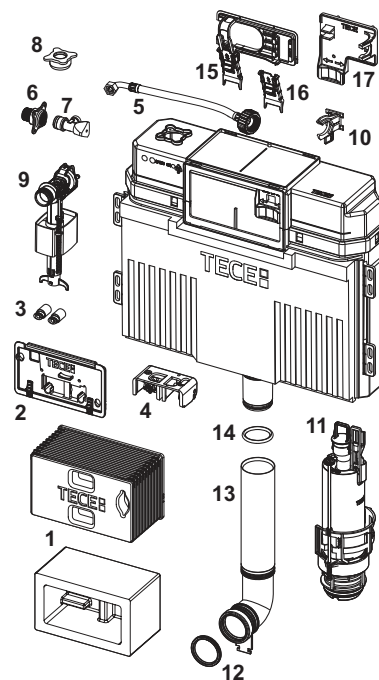
Pos.	Item No.	Designation	DU 1
1	9820188	Bare-wall protection system, short	1 pc.
2	9820189	Attaching rod set, short	1 pc.
3	9820194	Splash guard, complete	1 pc.
4	9820191	Clamping screws set	1 pc.
5	9820012	Cistern connection	1 pc.
6	9820013	Corner valve	1 pc.
7	9820217	Reinforced hose complete for Octa cistern 3/8", 8 cm	1 pc.
	9820376	Reinforced hose M 30	1 pc.
8	9820221	Reinforced hose O-ring	1 pc.
9	9820216	Retainer for filling valve holder	1 pc.
10	9820375	Filling valve holder for Octa cistern (27 mm, M 30)	1 pc.
	9820215	Filling valve holder for Octa cistern (17 mm, 3/8")	1 pc.
11	9820224	Drain valve A 3 for Octa cistern, 8 cm	1 pc.
12	9820014	O-ring	1 pc.
13	9820192	Flush pipe with O-ring, brick-wall construction	1 pc.
14	9820011	Flush pipe with O-ring, length 269 mm, dry-wall construction	1 pc.
15	9820015	Flush pipe seal	1 pc.
16	9820353	Filling valve F 10 universal	1 pc.



9820103 – TECE Uni cistern 1120 mm

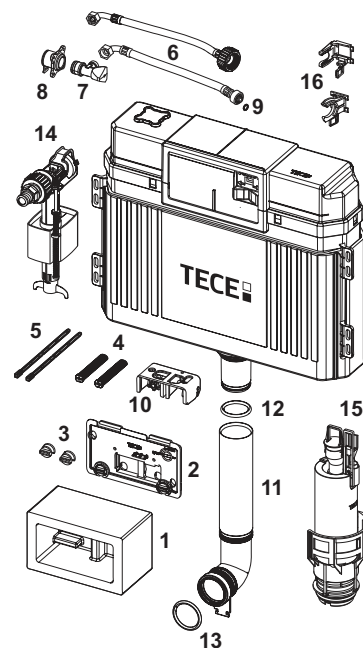
Valid from: April 2021

Pos.	Item No.	Designation	DU 1
1	9820499	Installation tunnel incl. polystyrene block	1 pc.
	9820027	Bare-wall protection system	1 pc.
2	9820017	Splash guard, complete	1 pc.
3	9820496	"easy fit" attachment (from 2021)	1 pc.
4	9820016	Actuation block	1 pc.
5	9820374	Reinforced hose M 30 (from 2020)	1 pc.
6	9820012	Cistern connection	1 pc.
7	9820013	Corner valve	1 pc.
8	9820495	Closure plug Uni cistern	1 pc.
9	9820353	Filling valve F 10 universal	1 pc.
10	9820373	Filling valve holder for Uni cistern (27 mm, M 30, from 2020)	1 pc.
11	9820223	Drain valve A 2	1 pc.
12	9820015	Flush pipe seal	1 pc.
13	9820011	Flush pipe with O-ring, length 269 mm, dry-wall construction	1 pc.
	9820331	Extra long flush pipe, length 369 mm	1 pc.
14	9820014	O-ring	1 pc.
15	9820698	Hold-down device version slider	1 pc.
16	9820699	Slider for hold-down device	1 pc.
17	9820700	Hold-down device version replacement 2003-2014	1 pc.



Valid till: March 2021

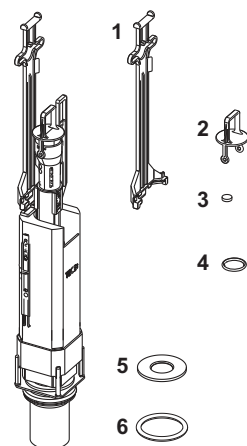
Pos.	Item No.	Designation	DU 1
1	9820027	Bare-wall protection system	1 pc.
2	9820017	Splash guard, complete	1 pc.
3	9820018	Clamping screws	1 pc.
4	9820019	Attaching rods (2003-2020)	1 pc.
5	9820022	Actuation rods (2003-2020)	1 pc.
6	9820026	Reinforced hose 3/8" (until 2019)	1 pc.
	9820374	Reinforced hose M 30 (from 2020)	1 pc.
7	9820013	Corner valve	1 pc.
8	9820012	Cistern connection	1 pc.
9	9820025	O-ring	1 pc.
10	9820016	Actuation block	1 pc.
11	9820011	Flush pipe with O-ring, length 269 mm, dry-wall construction	1 pc.
	9820331	Extra long flush pipe, length 369 mm	1 pc.
12	9820014	O-ring	1 pc.
13	9820015	Flush pipe seal	1 pc.
14	9820353	Filling valve F 10 universal	1 pc.
15	9820223	Drain valve A 2	1 pc.
16	9820372	Filling valve holder for Uni cistern (17 mm, 3/8", up to 2019)	1 pc.
	9820373	Filling valve holder for Uni cistern (27 mm, M 30, from 2020)	1 pc.



TECEconstruct – Spare parts

9820224 – TECE drain valve A 3 for Octa cistern, 8 cm

Pos.	Item No.	Designation	DU 1
1	9820163	Hold-down drain device valve for cisterns 8 cm	1 pc.
2	9820222	Draw eyelet	1 pc.
3	9820275	Additional weight drain valve A 3 and A 5	1 pc.
4	9820446	O-ring joint for drain valve A 3 and A 5 (10 pieces)	1 pc.
5	9820161	Foot seal A 3 and A 5	1 pc.
6	9820220	O-ring valve seat for drain valve A 3 and A 5	1 pc.



Sanitary Systems

TECEbox BRICK-WALL MODULES

Sanitary Modules



	Page
Toilet modules with Uni cistern	198
Toilet modules with Octa II cistern	203
Washstand, urinal	206
Accessories	208
Spare parts box	215
Spare parts	216

An overview of valid Declaration of Performance (DoP) is available on our website www.tece.com.

Notes:

DU 1 = minimum order quantity per item; sometimes it is not possible to order smaller quantities for technical reasons
 DU 2 = Euro palette for modules

TECEbox – Toilet modules with Uni cistern

TECEbox toilet module with Uni cistern, installation height 1060 mm

Toilet module including “easy fit” flush plate installation. For bricked-in pre-wall installation in front of a solid wall.

Uni cistern for front actuation:

- Safety tank made of impact-resistant plastic, tested to EN 14055
- Cistern fully pre-assembled and sealed
- Cistern connection with outer thread R 1/2" at the side, compatible with quick adapters
- 10 litre tank volume; 6 litre pre-set standard flush volume, 4.5/7.5/9 litre flush volume can be set at any time; 3 litre partial flush volume for dual-flush system; optional setting of a 4/2 litre flush volume possible; remaining volume can be used for immediate cleaning flush.
- Insulated against condensation water
- For TECE flush plates and toilet flush handle
- Can be used as a single or dual-flush cistern
- “easy fit” flush plate installation
- Installation tunnel for service opening, can be shortened without tools
- Low-noise hydraulic filling valve, fitting group 1 according to DIN 4109
- Flow control throttle without removing the drain valve

Module frame:

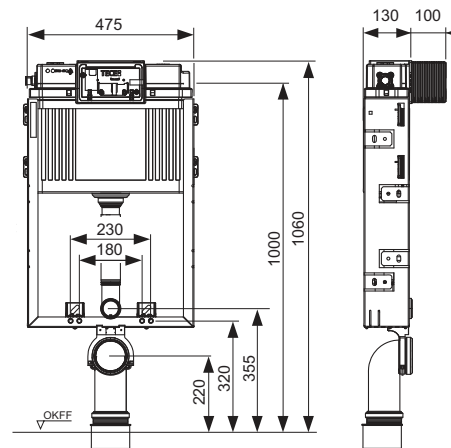
- Steel frame, galvanised
- Two M 12 retaining bolts and M 12 nuts, 180 or 230 mm installation spacing
- Toilet drain bend DN 90 with joint adapter DN 90/100, made of PP
- Joint adapter also suitable for horizontal installation
- DN 90 toilet connection set including protective plug

Please order separately:

- Toilet flush plate (see flush plates)
- Assembly feet 9030024 (optional)
- Insert chute for cleaning tablets (optional)
- TECE upgrade set brick-wall for TECE shower toilets (optional)

Note:

Ideal for row assembly by fixing directly with corner joints and TECEprofil section tube as an aid to alignment.



Item No.	DU 1	DU 2	DU 3
9370300	1 pc.	10 pc.	20 pc.

TECEbox toilet module with Uni cistern and tile base front, installation height 820 mm

Toilet module including “easy fit” flush plate installation. For installation in a bricked-in pre-wall in front of a solid wall, depth-adjustable.

Uni cistern for front or top actuation:

- Safety tank made of impact-resistant plastic, tested to EN 14055
- Cistern fully pre-assembled and sealed
- Cistern connection with outer thread R 1/2" at the side, compatible with quick adapters
- 10 litre tank volume; 6 litre pre-set standard flush volume, 4.5/7.5/9 litre flush volume can be set at any time; 3 litre partial flush volume for dual-flush system; optional setting of a 4/2 litre flush volume possible; remaining volume can be used for immediate cleaning flush.
- Insulated against condensation water
- For TECE flush plates and toilet flush handle
- Can be used as a single or dual-flush cistern
- “easy fit” flush plate installation
- Installation tunnel for service opening, can be shortened without tools
- Low-noise hydraulic filling valve, fitting group 1 according to DIN 4109
- Flow control throttle without removing the drain valve

Module frame:

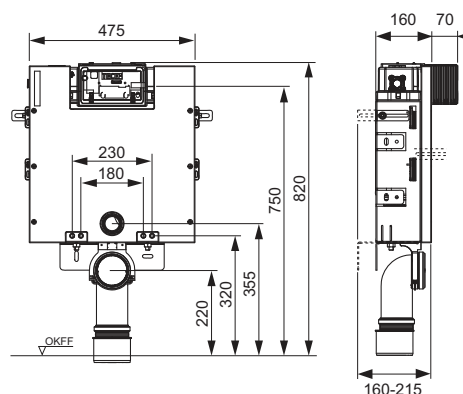
- Steel frame with front tile base made of 30 mm structural board, galvanised
- Toilet drain bend DN 90 with joint adapter DN 90/100, made of PP
- Joint adapter also suitable for horizontal installation
- DN 90 toilet connection set including protective plug

Please order separately:

- Toilet flush plate (see flush plates)
- Insert chute for cleaning tablets (optional, front actuation only)
- TECE upgrade set brick-wall for TECE shower toilets (optional)

Caution:

If the flush plate is fitted in front of cisterns with low installation height and a compact ceramic is used, the toilet lid may occasionally drop down unintentionally. When using compact ceramics fit the flush plate with top actuation only.



Item No.	DU 1	DU 2	DU 3
9375300	1 pc.	10 pc.	20 pc.

TECEbox – Toilet modules with Uni cistern

TECEbox toilet module with Uni cistern, installation height 820 mm

Toilet module including “easy fit” flush plate installation. For installation in a bricked-in pre-wall in front of a solid wall, depth-adjustable.

Uni cistern for front or top actuation:

- Safety tank made of impact-resistant plastic, tested to EN 14055
- Cistern fully pre-assembled and sealed
- Cistern connection with outer thread R 1/2" at the side, compatible with quick adapters
- 10 litre tank volume; 6 litre pre-set standard flush volume, 4.5/7.5/9 litre flush volume can be set at any time; 3 litre partial flush volume for dual-flush system; optional setting of a 4/2 litre flush volume possible; remaining volume can be used for immediate cleaning flush.
- Insulated against condensation water
- For TECE flush plates and toilet flush handle
- Can be used as a single or dual-flush cistern
- “easy fit” flush plate installation
- Installation tunnel for service opening, can be shortened without tools
- Low-noise hydraulic filling valve, fitting group 1 according to DIN 4109
- Flow control throttle without removing the drain valve

Module frame:

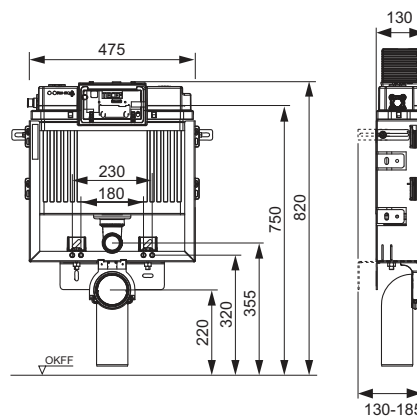
- Toilet drain bend DN 90 with joint adapter DN 90/100, made of PP
- Joint adapter also suitable for horizontal installation
- DN 90 toilet connection set including protective plug

Please order separately:

- Toilet flush plate (see flush plates)
- Insert chute for cleaning tablets (optional, front actuation only)

Caution:

If the flush plate is fitted in front of cisterns with low installation height and a compact ceramic is used, the toilet lid may occasionally drop down unintentionally. When using compact ceramics fit the flush plate with top actuation only.



Item No.	DU 1	DU 2	DU 3
9375304	1 pc.	10 pc.	20 pc.

TECEbox toilet module with Uni cistern, with tileable front facing, installation height 1110 mm

Toilet module including “easy fit” flush plate installation. For installation in a bricked-in pre-wall; closed surface suitable for tiling made of glass fibre lightweight concrete board.

Uni cistern for front actuation:

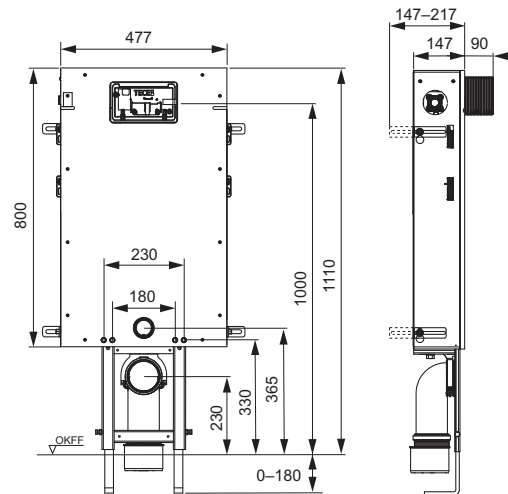
- Safety tank made of impact-resistant plastic, tested to EN 14055
- Cistern fully pre-assembled and sealed
- Cistern connection with outer thread R 1/2" at the side, compatible with quick adapters
- 10 litre tank volume; 6 litre pre-set standard flush volume, 4.5/7.5/9 litre flush volume can be set at any time; 3 litre partial flush volume for dual-flush system; optional setting of a 4/2 litre flush volume possible; remaining volume can be used for immediate cleaning flush.
- Insulated against condensation water
- For TECE flush plates and toilet flush handle
- Can be used as a single or dual-flush cistern
- “easy fit” flush plate installation
- Installation tunnel for service opening, can be shortened without tools
- Low-noise hydraulic filling valve, fitting group 1 according to DIN 4109
- Flow control throttle without removing the drain valve

Module frame:

- Steel frame, galvanised
- Two M 12 retaining bolts and M 12 nuts, 180 or 230 mm installation spacing
- Toilet drain bend DN 90 with joint adapter DN 90/100, made of PP
- Joint adapter also suitable for horizontal installation
- DN 90 toilet connection set including protective plug
- Pre-assembled height-adjustable supporting feet

Please order separately:

- TECEbox assembly area cover (Item No. 9200012)
- Toilet flush plate (see flush plates)
- Insert chute for cleaning tablets (optional)
- TECE upgrade set brick-wall for TECE shower toilets (optional)



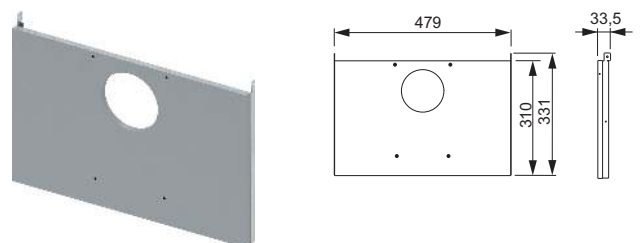
Item No.	DU 1	DU 2	DU 3
9371300	1 pc.	10 pc.	20 pc.

TECEbox assembly area cover

Steel sheet with screw-on glass fibre lightweight concrete plate. To face the entire surface of the lower build space of the TECEbox with tileable surface.

Consisting of:

- Steel sheet with screw-on glass fibre light concrete plate
- Mounting materials



Item No.	DU 1	DU 2
9200012	1 pc.	24 pc.

TECEbox – Toilet modules with Uni cistern

TECEbox Uni cistern including mounting plate, installation height 1060 mm

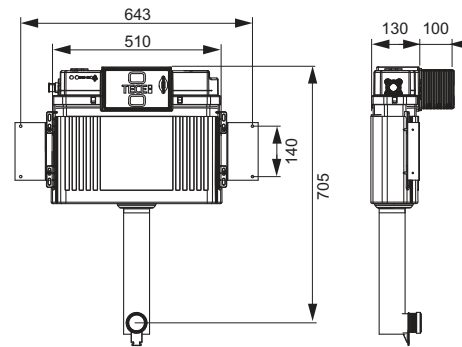
Uni cistern for shell installation including “easy fit” flush plate installation.

Uni cistern for front actuation:

- Safety tank made of impact-resistant plastic, tested to EN 14055
- Cistern fully pre-assembled and sealed
- Cistern connection with outer thread R 1/2" at the side, compatible with quick adapters
- 10 litre tank volume; 6 litre pre-set standard flush volume, 4.5/7.5/9 litre flush volume can be set at any time; 3 litre partial flush volume for dual-flush system; optional setting of a 4/2 litre flush volume possible; remaining volume can be used for immediate cleaning flush.
- Insulated against condensation water
- For TECE flush plates and toilet flush handle
- Can be used as a single or dual-flush cistern
- “easy fit” flush plate installation
- Installation tunnel for service opening, can be shortened without tools
- Low-noise hydraulic filling valve, fitting group 1 according to DIN 4109 - test certificate P-IX3837/I
- Including mounting plate und assembly material
- Flush pipe elbow
- Including connection set for floor-standing toilet with Euro rosette
- Flow control throttle without removing the drain valve

Please order separately:

- Toilet flush plate (see flush plates)
- Insert chute for cleaning tablets (optional)



Sanitary Modules

Item No.	DU 1	DU 2
9041308	1 pc.	30 pc.

TECEbox Octa II cistern, 8 cm, for floor-standing toilet, with reinforcement fabric, installation height 1075 mm

Octa II cistern including “easy fit” flush plate installation for floor-standing toilet, depth 8 cm; for installation in or in front of a solid wall.

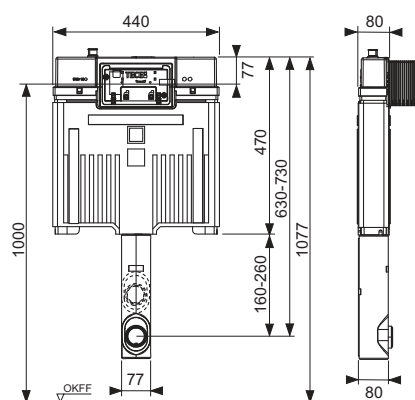
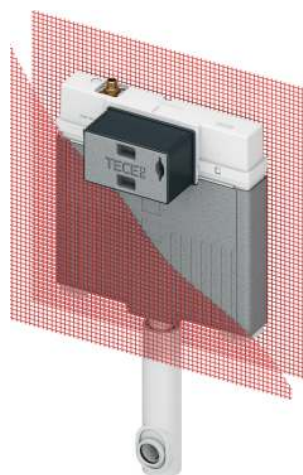
Octa II cistern 8 cm, for front actuation:

- Safety tank made of impact-resistant plastic, tested to EN 14055
- Cistern fully pre-assembled and sealed
- Cistern connection with outer thread R 1/2" at the top, compatible with quick adapters
- 7 litre tank volume; 6 litre pre-set standard flush volume, 4.5 litre flush volume can be set at any time; 3 litre partial flush volume for dual-flush system; optional setting of a 4/2 litre flush volume possible; remaining volume can be used for immediate cleaning flush.
- Insulated against condensation water
- For TECE flush plates and toilet flush handle
- Can be used as a single or dual-flush cistern
- “easy fit” flush plate installation
- Installation tunnel for service opening, can be shortened without tools
- Low-noise hydraulic filling valve, fitting group 1 according to DIN 4109
- Reinforcement fabrics for mounting

Please order separately:

- Toilet flush plate (see flush plates)

Item No.	DU 1	DU 2
9370500	1 pc.	10 pc.



TECEbox – Toilet modules with Octa II cistern

TECEbox toilet module with Octa II cistern, 8 cm, for wall toilet, installation height 1075 mm

Octa II cistern including “easy fit” flush plate installation for wall toilet, depth 8 cm; for installation in or in front of a solid wall.

Octa II cistern 8 cm, for front actuation:

- Safety tank made of impact-resistant plastic, tested to EN 14055
- Cistern fully pre-assembled and sealed
- Cistern connection with outer thread R 1/2" at the top, compatible with quick adapters
- 7 litre tank volume; 6 litre pre-set standard flush volume, 4.5 litre flush volume can be set at any time; 3 litre partial flush volume for dual-flush system; optional setting of a 4/2 litre flush volume possible; remaining volume can be used for immediate cleaning flush.
- Insulated against condensation water
- For TECE flush plates and toilet flush handle
- Can be used as a single or dual-flush cistern
- “easy fit” flush plate installation
- Installation tunnel for service opening, can be shortened without tools
- Low-noise hydraulic filling valve, fitting group 1 according to DIN 4109
- Reinforcement fabrics for mounting

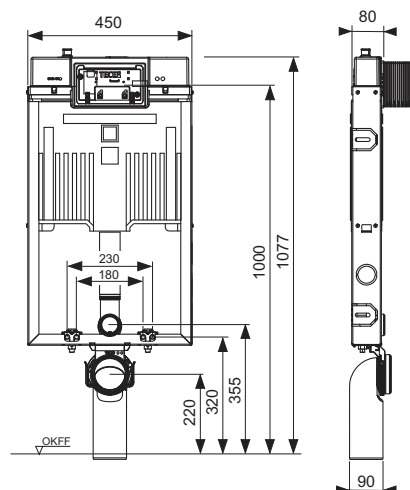
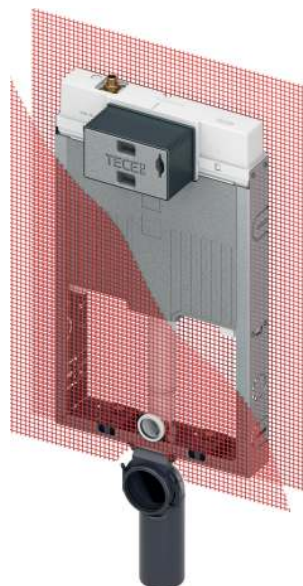
Module frame:

- Steel frame, galvanised
- Two M 12 retaining bolts and M 12 nuts, 180 or 230 mm installation spacing
- Toilet drain bend DN 90 made of PE-HD
- DN 90 toilet connection set including protective plug

Please order separately:

- Toilet flush plate (see flush plates)
- TECE upgrade set brick-wall 8 cm for TECE shower toilets (optional)

Item No.	DU 1	DU 2	DU 3
9370501	1 pc.	10 pc.	20 pc.



TECEbox toilet module with Octa II cistern, 8 cm, for wall-hung toilet, with connection for odour extraction, installation height 1075 mm

Octa II cistern including “easy fit” flush plate installation for floor-standing toilet, depth 8 cm; for installation in or in front of a solid wall.

Octa II cistern 8 cm, for front actuation:

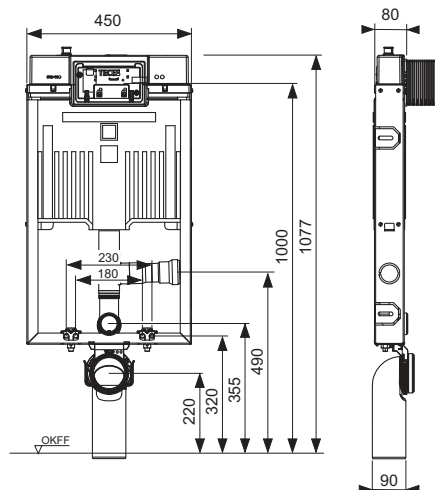
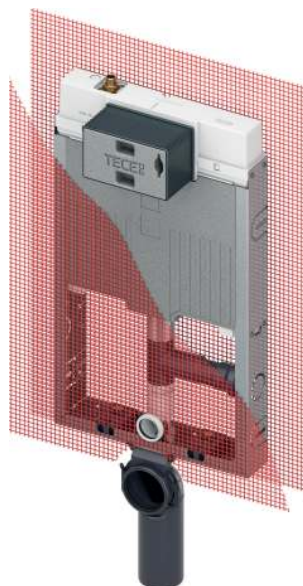
- Safety tank made of impact-resistant plastic, tested to EN 14055
- Cistern fully pre-assembled and sealed
- Cistern connection with outer thread R 1/2" at the top, compatible with quick adapters
- 7 litre tank volume; 6 litre pre-set standard flush volume, 4.5 litre flush volume can be set at any time; 3 litre partial flush volume for dual-flush system; optional setting of a 4/2 litre flush volume possible; remaining volume can be used for immediate cleaning flush.
- Insulated against condensation water
- For TECE flush plates and toilet flush handle
- Can be used as a single or dual-flush cistern
- “easy fit” flush plate installation
- Installation tunnel for service opening, can be shortened without tools
- Low-noise hydraulic filling valve, fitting group 1 according to DIN 4109
- Reinforcement fabrics for mounting
- With connection for odour extraction DN 50

Module frame:

- Steel frame, galvanised
- Two M 12 retaining bolts and M 12 nuts, 180 or 230 mm installation spacing
- Toilet drain bend DN 90 made of PE-HD
- DN 90 toilet connection set including protective plug

Please order separately:

- Toilet flush plate (see flush plates)
- TECE upgrade set brick-wall 8 cm for TECE shower toilets (optional)



Item No.	DU 1	DU 2
9370502	1 pc.	10 pc.

TECEbox – Washstand, urinal

TECEbox washstand module, installation depth 8 cm

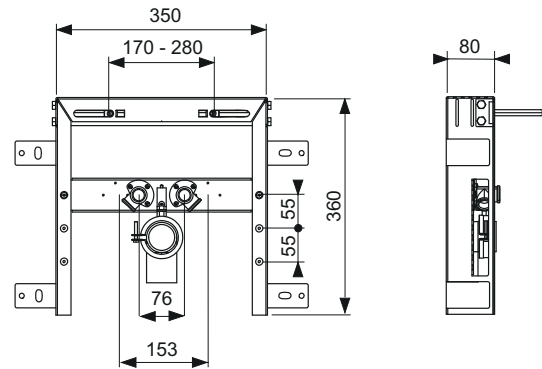
Washstand module for installation in a wall or in front of a solid wall.

Components:

- Continuous steel profile
- Adjustable washstand fixing centres
- Two wall disks 1/2" x 1/2" inner thread
- PE-HD drain bend \varnothing 50 mm (weldable) including flush pipe seal and installation material



Item No.	DU 1	DU 2
9370032	1 pc.	50 pc.



TECEbox bidet module, installation depth 8 cm

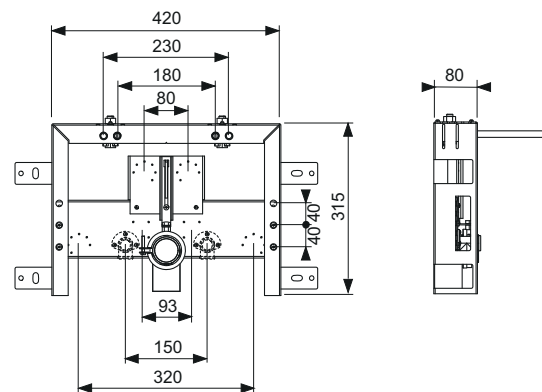
Bidet module for installation in the wall or in front of a solid wall construction.

Components:

- Continuous steel profile
- Installation spacing 180/230 mm
- PE-HD drain bend \varnothing 50 mm including flush pipe seal
- Ceramic mounting set
- Mounting materials



Item No.	DU 1	DU 2
9370045	1 pc.	50 pc.



TECEbox urinal flush valve housing U 2

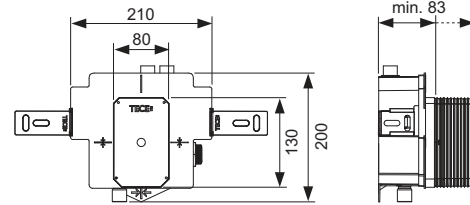
For mounting the TECE urinal valve U 2 in brick-wall construction, for combination with the TECEfilo valve unit and sensor cover.

Consisting of:

- Urinal flush valve housing U 2 inlet flow control and bare-wall protection system
- 230 V/12 V-transformer integrated for direct 230 V connection
- Connection IT 1/2"
- incl. mounting elbow and mounting materials

Please order separately:

- TECEfilo valve unit (see Urinal flush plates)
- TECEfilo sensor cover (see Urinal flush plates)



Item No.	DU 1
9370040	1 pc.

TECEbox urinal flush valve housing U 1 with retaining clip

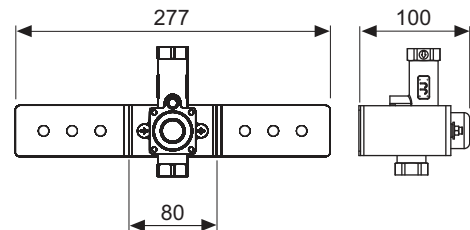
Urinal flush valve housing to fit the TECE urinal flush valve U 1 to brick-wall constructions.

Consisting of:

- Connection 1/2" IT
- Urinal flush valve housing U 1 with inlet flow control and bare-wall protection system
- Galvanised steel retaining clip

Please order separately:

- Manual urinal flush plate or electronic (TECESquare, TECEloop, TECEsolid, TECEplanus as well as TECEnow Urinal)
- TECE inlet fittings for urinal (9820055)



Item No.	DU 1
9370021	1 pc.

TECEbox – Accessories

TECEbox assembly feet

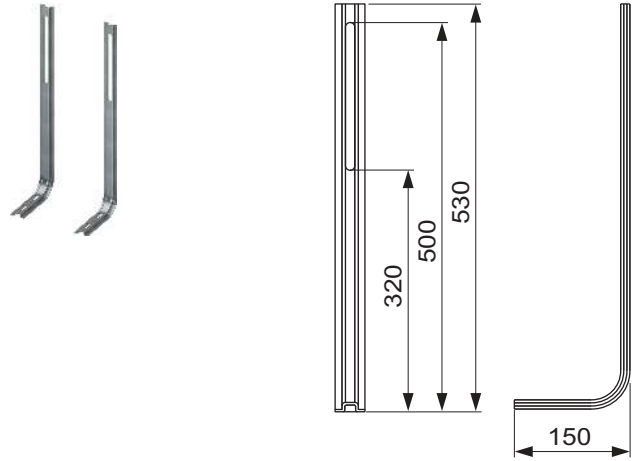
Assembly aid for installation of the TECEbox toilet module without front facing.

Consisting of:

- Two galvanised assembly feet
- Mounting materials for floor attachment

Caution:

TECEbox assembly feet are not suitable for assembly in a TECEprofil or stud wall.



Item No.	DU 1	DU 2
9030024	1 set	10 set

TECE upgrade set brick-wall 8 cm for TECE shower toilets

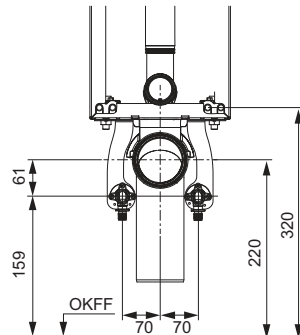
Sound-decoupled shell set for pre-fitting brick-wall cisterns with Octa II and Base 8 cisterns for the water connection of a TECE shower toilet.

Shell set consisting of:

- Holding plates for hot and cold water connections
- Sound insulation for wall discs
- Fastening screws for wall discs



Item No.	DU 1
9880048	1 pc.



TECE upgrade set brick-wall for TECE shower toilets

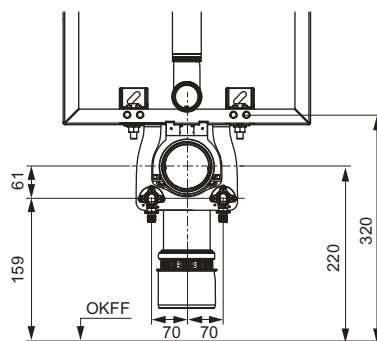
Sound-decoupled shell set for pre-fitting brick-wall cisterns with Uni cisterns (installation depth 13 cm) for the water connection of a TECE shower toilet.

Shell set consisting of:

- Holding plate for hot and cold water connections
- Sound insulation for wall discs
- Fixing screws for wall discs
- Mounting material



Item No.	DU 1	DU 2
9880047	1 pc.	25 pc.



TECEbox assembly feet for toilet modules with Octa cistern, 8 cm

Assembly feet made of steel, height-adjustable from 290 to 495 mm, including mounting materials for TECEbox toilet module with Octa cistern, 8 cm.

Item No.	DU 1
9030026	1 set

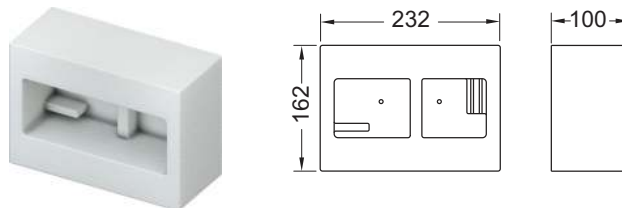


TECEbox brick-wall protection system for flush-mounted installation

Larger bare-wall protection system for brick-wall construction to prepare the installation of the installation frame for toilet flush plates. Suitable for use with all TECEbox toilet modules.

Wall thickness at least 30 mm!

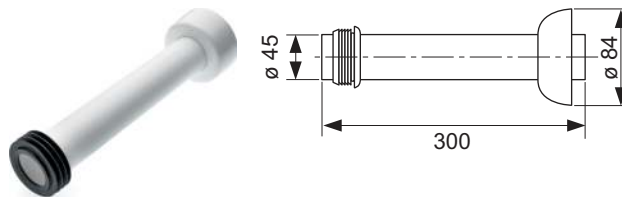
Item No.	DU 1
9030029	1 pc.



TECEbox connection set for floor-standing toilet with Euro-rosette

Connection set for floor-standing toilet, in white, with flush pipe seal and Euro-rosette.

Item No.	DU 1
9221011	1 pc.



TECEbox – Accessories

TECE repair set for cistern made of PP

To eliminate damage (e.g. from drilling) up to a diameter of approx. 12 mm.

Consisting of:

- Five plastic disks
- Sandpaper
- Hot glue gun
- Two glue sticks
- Cleaner (125 ml)
- Two cloths



Item No.	DU 1
9221013	1 pc.

TECE toilet connection set DN 90

Toilet connection set for wall-mounted toilets.

Consisting of:

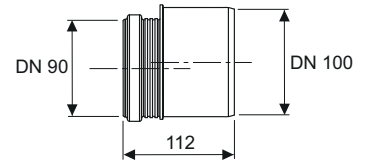
- Waste water connection pipe with seal
- Flush pipe connection with seal
- Toilet mounting set with caps



Version	Length	Item No.	DU 1	DU 2
PP	200 mm	9820057	1 pc.	250 pc.
PE	300 mm	9820214	1 pc.	-
PE	400 mm	9820305	1 pc.	-

TECE toilet connector, DN 90/100

Toilet connector to connect toilet modules horizontally to a DN 100 drain pipe.



Version	Item No.	DU 1	DU 2
PP	9820136	1 pc.	500 pc.
PVC	9820137	1 pc.	10 pc.
PE-HD	9820316	1 pc.	50 pc.

TECE flush pipe for connection of squat toilet

Flush pipe including flush pipe elbow and flush pipe connector, colour white.

Item No.	DU 1	DU 2
9820324	1 pc.	10 pc.



TECE toilet connection set split-level 25 mm, DN 90

PE connection set split-level 25 mm for wall-hung toilets, DN 90, including mounting materials.

Note:

Without warranty, may lead to reduced non-standard flushing performance.

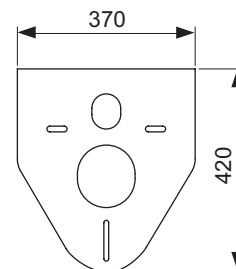


Item No.	DU 1	DU 2
9880073	1 set	10 set

TECE sound-insulation kit for toilet and bidet

Sound insulation kit for sound insulation between the toilet or bidet ceramics and tile layer.

Item No.	DU 1	DU 2	DU 3
9200010	1 pc.	10 pc.	50 pc.



TECE inlet fittings for urinal

Set consisting of:

- 1/2" connection piece
- Urinal connector

Item No.	DU 1
9820055	1 pc.



TECE urinal suction siphon

Urinal suction siphon for horizontal drain, for connection to DN 50, with seal.

Item No.	DU 1
9820338	1 pc.



TECE corner valve key

For assembly/disconnection of corner valve in TECE cistern, with holder for 1/2" or 1/4" ratchet.

Item No.	DU 1
9820264	1 pc.



TECEbox – Accessories

TECE insert chute II for cleaning tablets (TECElux Mini, TECESquare glass, TECEvelvet, TECEloop and TECEnow)

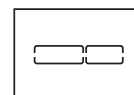
For inserting toilet cleaning tablets into Uni and Base cisterns; in combination with TECElux Mini, TECESquare glass, TECEvelvet, TECEloop and TECEnow flush plates;

Use in brick-wall construction from 22 mm wall structure.

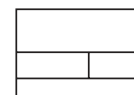
Maximum wall structure: 79 mm dry-wall construction, 98 mm brick-wall construction

Attention:

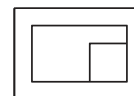
- The cleaning tablets used must not contain chlorine or any other oxidizing components.
- Not compatible with TECEflushpoint pneumatic remote release.



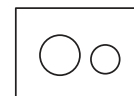
TECElux Mini



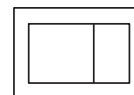
TECESquare glass



TECEvelvet



TECEloop



TECEnow

Item No.	DU 1
9240951	1 pc.

TECE insert chute II for cleaning tablets (TECESquare II metal, TECESquare II glass and TECESolid)

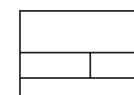
For inserting toilet cleaning tablets into Uni and Base cisterns; in combination with TECESquare II metal, TECESquare II glass and TECESolid flush plates; for installation from the front; suitable for flush-mounted installation in conjunction with the TECESquare II glass and the TECESolid spacing frame.

Use in brick-wall construction from 32 mm wall structure.

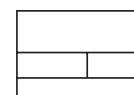
Maximum wall structure: 89 mm dry-wall construction, 108 mm brick-wall construction

Attention:

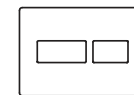
- The cleaning tablets used must not contain chlorine or any other oxidizing components.
- Not compatible with TECEflushpoint pneumatic remote release.



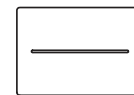
TECESquare II metal



TECESquare II glass



TECESolid



TECESolid

Item No.	DU 1
9240952	1 pc.

TECE drain valve A 2

Drain valve for combination with Uni and Base cisterns, including valve seat with flow control throttle, red and blue throttles and operating levers.

Item No.	DU 1
9820223	1 pc.



TECE valve seat with adjustable flush flow throttle

Valve seat with adjustable flush flow throttle for the drain valve A 2 in Uni and Base cisterns.

Item No.	DU 1
9820670	1 pc.



TECE filling valve F 10 universal

Universal filling valve for installation in all TECE cisterns as well as almost all standard flush-mounted and wall-mounted cisterns from other manufacturers.

Product details:

- 3/8" metal connection thread
- Flow pressure 0.5-10 bar
- Minimum flow pressure 0.5 bar
- Adjustable fill height
- Adjustable outflow pipe
- Low-noise in accordance with group I (DIN 4109)
- Compact design
- Incl. adapter and attachment nut
- Tested according to EN 14124

Item No.	DU 1	DU 2	DU 3
9820353	1 pc.	10 pc.	240 pc.



TECE throttle set for Uni and Base cisterns

Throttle set to adapt the Uni and Base cistern flushing pressure, installs in valve seat of drain valve, diameter 46-28 mm.

Item No.	DU 1	DU 2
9820337*	1 pc.	100 pc.



TECE throttle set for Octa II, Base 8, Base 320 and Compact 320 cisterns

Throttle set for adjusting the flush pressure for Octa II, Base 8, Base 320 and Compact 320 cisterns, installation in the valve seat of the drain valve, diameter 32-28 mm.

Item No.	DU 1
9820394	1 pc.



* Not in combination with Octa cistern, 8 cm

TECEbox – Accessories

TECE drain valve A 5

Drain valve for combination with Octa II, Base 8, Compact 320 and Base 320 cisterns, including valve seat and throttle.

Item No.	DU 1
9820561	1 pc.

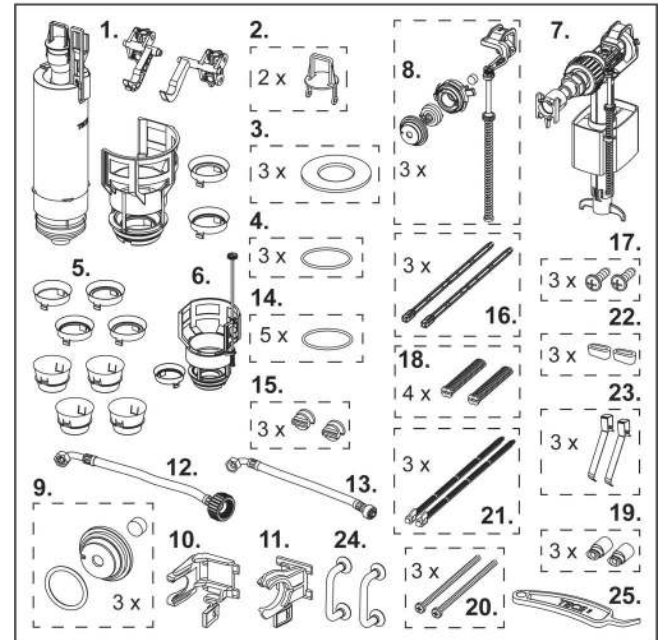


TECE spare parts case for Uni cistern

Plastic assortment case with spare parts for the Uni cistern.



Pos.	Item No.	Designation	Quantity
1	9820223	Drain valve A 2	1
2	9820222	Draw eyelet	2
3	9820233	Gasket (drain valve)	3
4	9820005	O-ring (valve seat)	3
5	9820337*	Throttle set for Uni and Base cisterns	1
6	9820670	Valve seat with adjustable flush flow throttle	1
7	9820353	Filling valve F 10 universal	1
8	9820382	Filling valve F 10 valve lever set	3
9	9820383	Filling valve F 10 sealing kit	3
10	9820372	Filling valve holder for Uni cistern (17 mm, 3/8", up to 2019)	1
11	9820373	Filling valve holder for Uni cistern (27 mm, M 30, from 2020)	1
12	9820374	Reinforced hose M 30 (from 2020)	1
13	9820026	Reinforced hose 3/8" (until 2019)	1
14	9820025	O-ring	5
15	9820018	Clamping screws	3
16	9820022	Actuation rods (2003-2020)	3
17	9820263	Fastening screws (2003-2020)	3
18	9820019	Attaching rods (2003-2020)	4
19	9820496	"easy fit" attachment (from 2021)	3
20	9820497	"easy fit" attachment screws (from 2021)	3
21	9820498	"easy fit" actuation rods (from 2021)	3
22	9820024	Rubber buffer, set of two	3
23	9820020	Push-button springs, set of two	3
24	9820180	Bow-type handles	1
25	9820390	Dismounting and programming key	1

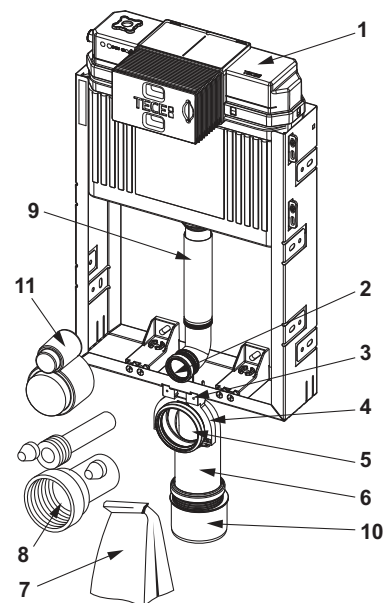


Item No.	DU 1
9820000	1 pc.

TECEbox – Spare parts

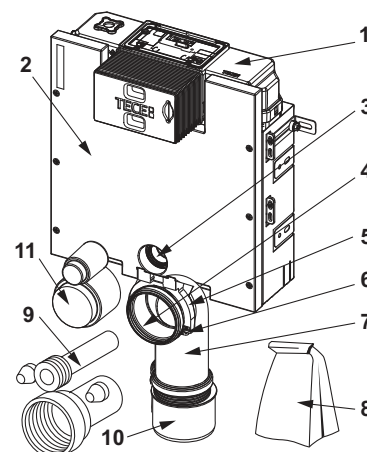
9370300 – TECEbox toilet module with Uni cistern, installation height 1060 mm

Pos.	Item No.	Designation	DU 1
1	9820103	Uni cistern 1120 mm	1 pc.
2	9820015	Flush pipe seal	1 pc.
3	9820048	Toilet drain bend holder	1 pc.
4	9820049	Bracket toilet drain bend holder	1 pc.
5	9820139	Seal for drain bend DN 90	1 pc.
6	9820135	Toilet drain bend DN 90 (PP)	1 pc.
7	9820051	By-pack for brick-wall-mounted cistern (mounting material, etc.)	1 pc.
8	9820057	Toilet connection set, DN 90	1 pc.
9	9820011	Flush pipe with O-ring, length 269 mm, dry-wall construction	1 pc.
10	9820136	Toilet connector, DN 90/100, PP	1 pc.
11	9820312	Bare wall toilet plug for flush pipe and drain bend	1 pc.



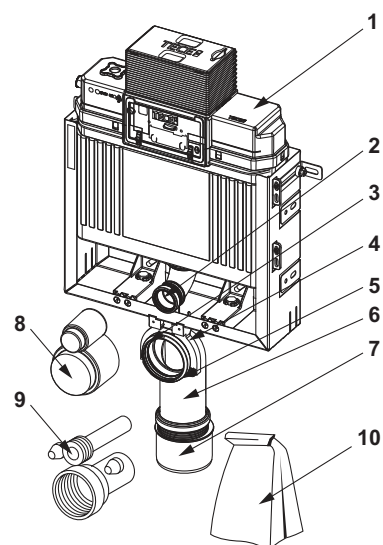
9375300 – TECEbox toilet module with Uni cistern and tile base front, installation height 820 mm

Pos.	Item No.	Designation	DU 1
1	9820100	Uni cistern 820 mm	1 pc.
2	9820050	Structural board with screws	1 pc.
3	9820015	Flush pipe seal	1 pc.
4	9820139	Seal for drain bend DN 90	1 pc.
5	9820048	Toilet drain bend holder	1 pc.
6	9820049	Bracket toilet drain bend holder	1 pc.
7	9820135	Toilet drain bend DN 90 (PP)	1 pc.
8	9820043	By-pack for toilet module	1 pc.
9	9820057	Toilet connection set, DN 90	1 pc.
10	9820136	Toilet connector, DN 90/100, PP	1 pc.
11	9820312	Bare wall toilet plug for flush pipe and drain bend	1 pc.



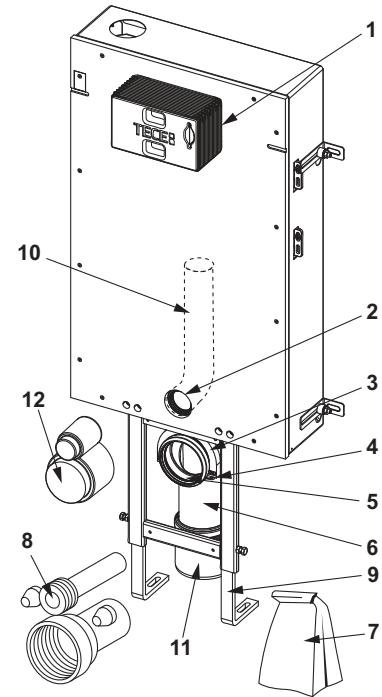
9375304 – TECEbox toilet module with Uni cistern, installation height 820 mm

Pos.	Item No.	Designation	DU 1
1	9820100	Uni cistern 820 mm	1 pc.
2	9820015	Flush pipe seal	1 pc.
3	9820139	Seal for drain bend DN 90	1 pc.
4	9820048	Toilet drain bend holder	1 pc.
5	9820049	Bracket toilet drain bend holder	1 pc.
6	9820135	Toilet drain bend DN 90 (PP)	1 pc.
7	9820136	Toilet connector, DN 90/100, PP	1 pc.
8	9820312	Bare wall toilet plug for flush pipe and drain bend	1 pc.
9	9820057	Toilet connection set, DN 90	1 pc.
10	9820051	By-pack for brick-wall-mounted cistern (mounting material, etc.)	1 pc.



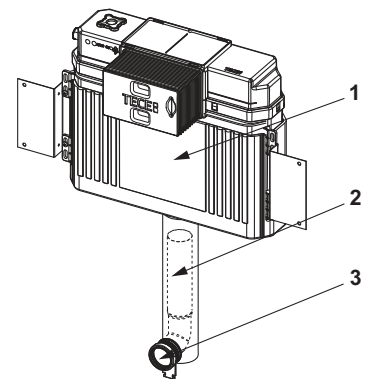
9371300 – TECEbox toilet module with Uni cistern, with tileable front facing, installation height 1110 mm

Pos.	Item No.	Designation	DU 1
1	9820103	Uni cistern 1120 mm	1 pc.
2	9820015	Flush pipe seal	1 pc.
3	9820048	Toilet drain bend holder	1 pc.
4	9820049	Bracket toilet drain bend holder	1 pc.
5	9820139	Seal for drain bend DN 90	1 pc.
6	9820135	Toilet drain bend DN 90 (PP)	1 pc.
7	9820051	By-pack for brick-wall-mounted cistern (mounting material, etc.)	1 pc.
8	9820057	Toilet connection set, DN 90	1 pc.
9	9820073	TECEbox plus feet	1 pc.
10	9820011	Flush pipe with O-ring, length 269 mm, dry-wall construction	1 pc.
11	9820136	Toilet connector, DN 90/100, PP	1 pc.
12	9820312	Bare wall toilet plug for flush pipe and drain bend	1 pc.



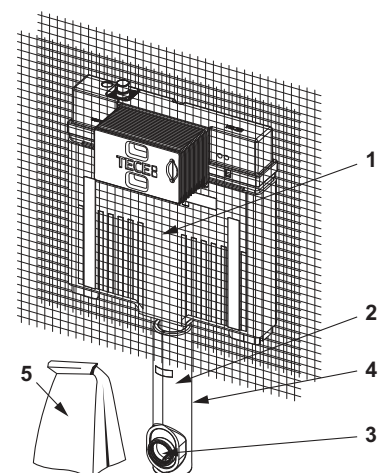
9041308 – TECEbox Uni cistern including mounting plate, installation height 1060 mm

Pos.	Item No.	Designation	DU 1
1	9820103	Uni cistern 1120 mm	1 pc.
2	9820011	Flush pipe with O-ring, length 269 mm, dry-wall construction	1 pc.
3	9820015	Flush pipe seal	1 pc.



9370500 – TECEbox Octa II cistern, 8 cm, for floor-standing toilet, with reinforcement fabric, installation height 1075 mm

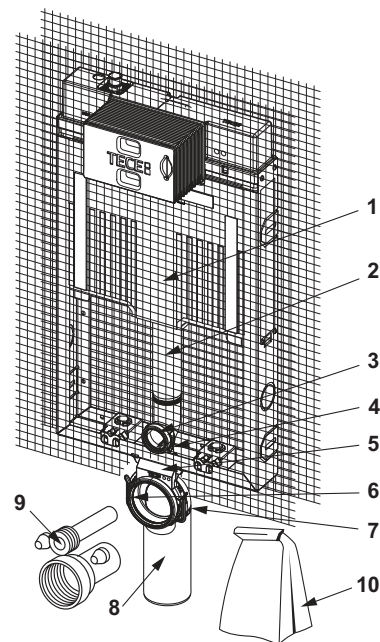
Pos.	Item No.	Designation	DU 1
1	9820565	Cistern Octa II	1 pc.
2	9820563	Flush pipe Octa cistern	1 pc.
3	9820015	Flush pipe seal	1 pc.
4	9820143	Flush pipe polystyrene protection for Octa cistern, 8 cm	1 pc.
5	9820144	By-pack for Octa cistern, 8 cm (mounting material, etc.)	1 pc.



TECEbox – Spare parts

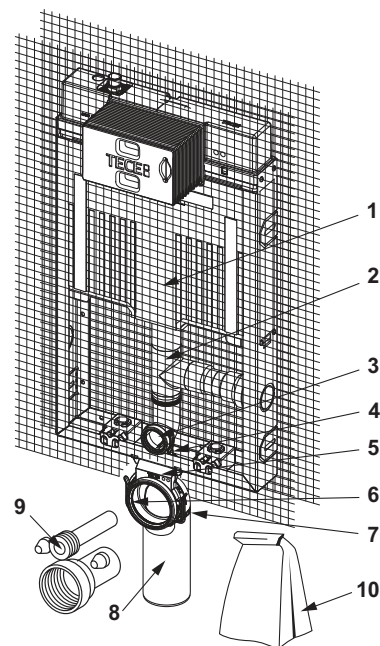
9370501 – TECEbox toilet module with Octa II cistern, 8 cm, for wall toilet, installation height 1075 mm

Pos.	Item No.	Designation	DU 1
1	9820565	Cistern Octa II	1 pc.
2	9820563	Flush pipe Octa cistern	1 pc.
3	9820015	Flush pipe seal	1 pc.
4	9820254	Flush pipe holder for toilet	1 pc.
5	9820256	Drain bend holder for Octa cistern, 8 cm	1 pc.
6	9820139	Seal for drain bend DN 90	1 pc.
7	9820042	Bracket for toilet drain bend holder	1 pc.
8	9820150	Toilet drain bend DN 90/90 PE-HD, for cisterns 8 cm	1 pc.
9	9820057	Toilet connection set, DN 90	1 pc.
10	9820146	By-pack for Octa cistern, 8 cm (mounting material, etc.)	1 pc.



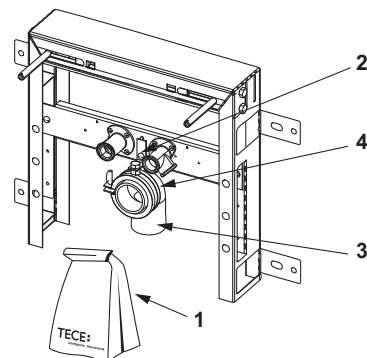
9370502 – TECEbox toilet module with Octa II cistern, 8 cm, for wall-hung toilet, with connection for odour extraction, installation height 1075 mm

Pos.	Item No.	Designation	DU 1
1	9820565	Cistern Octa II	1 pc.
2	9820577	TECEbox flush pipe with odour extraction DN 50 right	1 pc.
	9820576	TECEbox flush pipe with odour extraction DN 50 left	1 pc.
3	9820015	Flush pipe seal	1 pc.
4	9820255	Flush pipe holder for Octa cistern, 8 cm	1 pc.
5	9820256	Drain bend holder for Octa cistern, 8 cm	1 pc.
6	9820139	Seal for drain bend DN 90	1 pc.
7	9820042	Bracket for toilet drain bend holder	1 pc.
8	9820150	Toilet drain bend DN 90/90 PE-HD, for cisterns 8 cm	1 pc.
9	9820057	Toilet connection set, DN 90	1 pc.
10	9820146	By-pack for Octa cistern, 8 cm (mounting material, etc.)	1 pc.



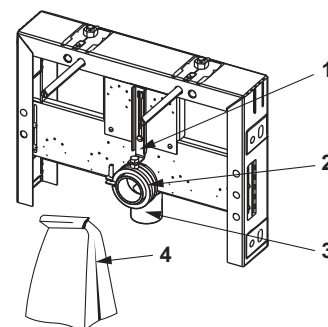
9370032 – TECEbox washstand module, installation depth 8 cm

Pos.	Item No.	Designation	DU 1
1	9820153	By-pack for washstand brick-wall module, depth 8 cm (mounting material, etc.)	1 pc.
2	9820149	Clamp for drain bend holder, 50 mm, bidet 8 cm	1 pc.
3	9820151	PE-HD drain bend holder for washstand and bidet module, depth 8 cm	1 pc.
4	9820152	Rubber collar for 50 mm drain bend holder	1 pc.



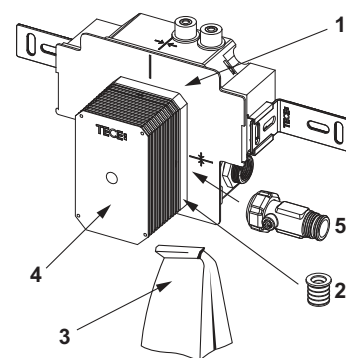
9370045 – TECEbox bidet module, installation depth 8 cm

Pos.	Item No.	Designation	DU 1
1	9820149	Clamp for drain bend holder, 50 mm, bidet 8 cm	1 pc.
2	9820152	Rubber collar for 50 mm drain bend holder	1 pc.
3	9820151	PE-HD drain bend holder for washstand and bidet module, depth 8 cm	1 pc.
4	9820148	By-pack for bidet brick-wall module, depth 8 cm (mounting material, etc.)	1 pc.



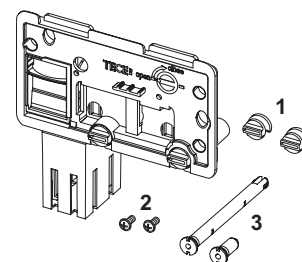
9370040 – TECEbox urinal flush valve housing U 2

Pos.	Item No.	Designation	DU 1
1	9820553	Transformer 230 V/12 V	1 pc.
2	9820424	Seal water outlet	1 pc.
3	9820440	By-pack for urinal flush valve U 2	1 pc.
4	9820470	Bare-wall protection urinal flush valve housing U 2	1 pc.
5	9820715	Pre-valve flush valve U 2 (from 03/2025)	NEW 1 pc.



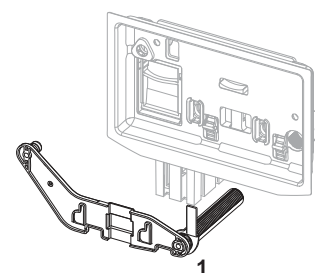
9240950 – TECE insert chute for cleaning tablets

Pos.	Item No.	Designation	DU 1
1	9820191	Clamping screws set	1 pc.
2	9820263	Fastening screws (2003-2020)	1 pc.
3	9820349	Guide rods for insert chute	1 pc.



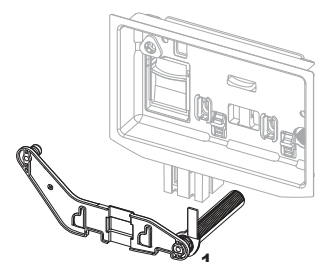
9240951 – TECE insert chute II for cleaning tablets (TECElux Mini, TECESquare glass, TECEvelvet, TECEloop and TECEnow)

Pos.	Item No.	Designation	DU 1
1	9820688	Guide rods for insert chute II	1 pc.



9240952 – TECE insert chute II for cleaning tablets (TECESquare II metal, TECESquare II glass and TECEsolid)

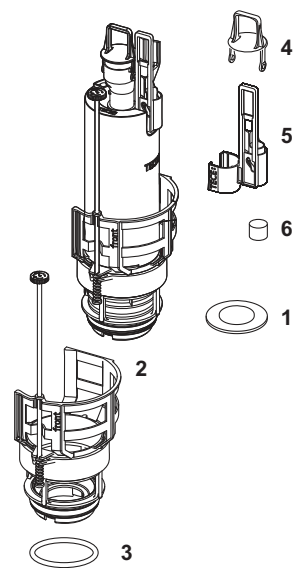
Pos.	Item No.	Designation	DU 1
1	9820693	Guide rods for insert chute II	1 pc.



TECEbox – Spare parts

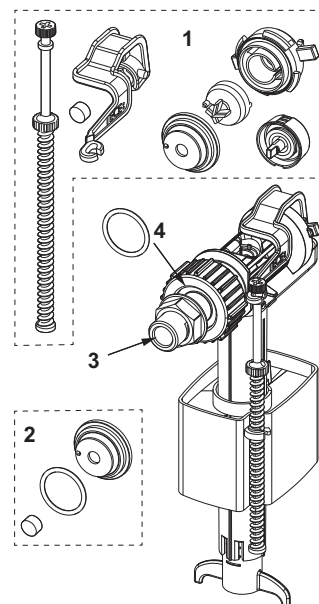
9820223 – TECE drain valve A 2

Pos.	Item No.	Designation	DU 1
1	9820233	Gasket (drain valve)	1 pc.
2	9820670	Valve seat with adjustable flush flow throttle	1 pc.
3	9820005	O-ring (valve seat)	1 pc.
4	9820222	Draw eyelet	1 pc.
5	9820229	Pull rod for electrical actuation	1 pc.
6	9820420	Additional weight small pull rod	1 pc.



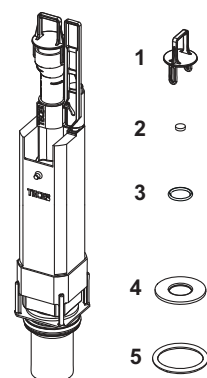
9820353 – TECE filling valve F 10 universal

Pos.	Item No.	Designation	DU 1
1	9820382	Filling valve F 10 valve lever set	1 pc.
2	9820383	Filling valve F 10 sealing kit	1 pc.
3	9820398	Filling valve F 10 threaded connection 3/8"	1 pc.
4	9820587	Filling valve F 10 water connection O-ring M 30	1 pc.



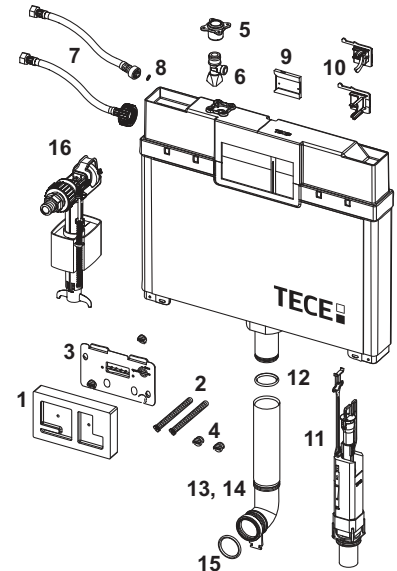
9820561 – TECE drain valve A 5

Pos.	Item No.	Designation	DU 1
1	9820564	Draw eyelet drain valve A 5	1 pc.
2	9820275	Additional weight drain valve A 3 and A 5	1 pc.
3	9820446	O-ring joint for drain valve A 3 and A 5 (10 pieces)	1 pc.
4	9820161	Foot seal A 3 and A 5	1 pc.
5	9820220	O-ring valve seat for drain valve A 3 and A 5	1 pc.



9820250 – TECE Octa cistern, 8 cm (available until 09/2021)

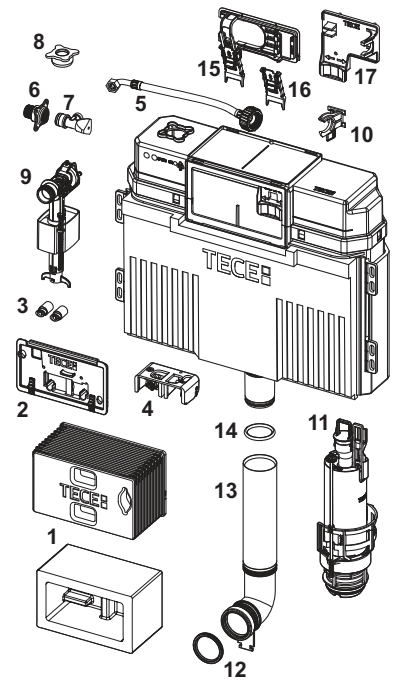
Pos.	Item No.	Designation	DU 1
1	9820188	Bare-wall protection system, short	1 pc.
2	9820189	Attaching rod set, short	1 pc.
3	9820194	Splash guard, complete	1 pc.
4	9820191	Clamping screws set	1 pc.
5	9820012	Cistern connection	1 pc.
6	9820013	Corner valve	1 pc.
7	9820217	Reinforced hose complete for Octa cistern 3/8", 8 cm	1 pc.
	9820376	Reinforced hose M 30	1 pc.
8	9820221	Reinforced hose O-ring	1 pc.
9	9820216	Retainer for filling valve holder	1 pc.
10	9820375	Filling valve holder for Octa cistern (27 mm, M 30)	1 pc.
	9820215	Filling valve holder for Octa cistern (17 mm, 3/8")	1 pc.
11	9820224	Drain valve A 3 for Octa cistern, 8 cm	1 pc.
12	9820014	O-ring	1 pc.
13	9820192	Flush pipe with O-ring, brick-wall construction	1 pc.
14	9820011	Flush pipe with O-ring, length 269 mm, dry-wall construction	1 pc.
15	9820015	Flush pipe seal	1 pc.
16	9820353	Filling valve F 10 universal	1 pc.



9820103 – TECE Uni cistern 1120 mm

Valid from: April 2021

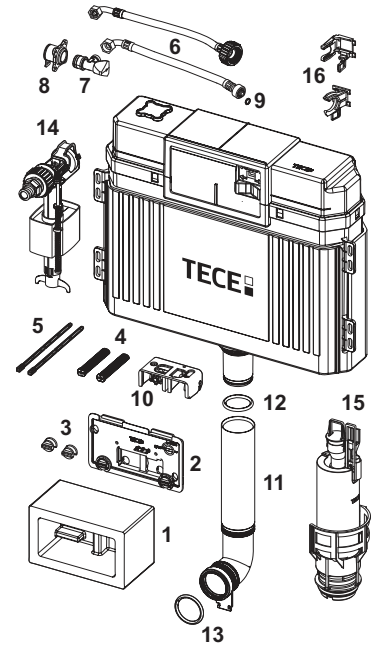
Pos.	Item No.	Designation	DU 1
1	9820499	Installation tunnel incl. polystyrene block	1 pc.
	9820027	Bare-wall protection system	1 pc.
2	9820017	Splash guard, complete	1 pc.
3	9820496	"easy fit" attachment (from 2021)	1 pc.
4	9820016	Actuation block	1 pc.
5	9820374	Reinforced hose M 30 (from 2020)	1 pc.
6	9820012	Cistern connection	1 pc.
7	9820013	Corner valve	1 pc.
8	9820495	Closure plug Uni cistern	1 pc.
9	9820353	Filling valve F 10 universal	1 pc.
10	9820373	Filling valve holder for Uni cistern (27 mm, M 30, from 2020)	1 pc.
11	9820223	Drain valve A 2	1 pc.
12	9820015	Flush pipe seal	1 pc.
13	9820011	Flush pipe with O-ring, length 269 mm, dry-wall construction	1 pc.
	9820331	Extra long flush pipe, length 369 mm	1 pc.
14	9820014	O-ring	1 pc.
15	9820698	Hold-down device version slider	1 pc.
16	9820699	Slider for hold-down device	1 pc.
17	9820700	Hold-down device version replacement 2003-2014	1 pc.



TECEbox – Spare parts

Valid till: March 2021

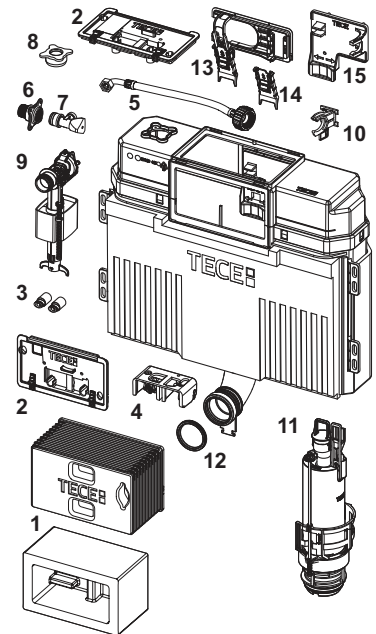
Pos.	Item No.	Designation	DU 1
1	9820027	Bare-wall protection system	1 pc.
2	9820017	Splash guard, complete	1 pc.
3	9820018	Clamping screws	1 pc.
4	9820019	Attaching rods (2003-2020)	1 pc.
5	9820022	Actuation rods (2003-2020)	1 pc.
6	9820026	Reinforced hose 3/8" (until 2019)	1 pc.
	9820374	Reinforced hose M 30 (from 2020)	1 pc.
7	9820013	Corner valve	1 pc.
8	9820012	Cistern connection	1 pc.
9	9820025	O-ring	1 pc.
10	9820016	Actuation block	1 pc.
11	9820011	Flush pipe with O-ring, length 269 mm, dry-wall construction	1 pc.
	9820331	Extra long flush pipe, length 369 mm	1 pc.
12	9820014	O-ring	1 pc.
13	9820015	Flush pipe seal	1 pc.
14	9820353	Filling valve F 10 universal	1 pc.
15	9820223	Drain valve A 2	1 pc.
16	9820372	Filling valve holder for Uni cistern (17 mm, 3/8", up to 2019)	1 pc.
	9820373	Filling valve holder for Uni cistern (27 mm, M 30, from 2020)	1 pc.



9820100 – TECE Uni cistern 820 mm

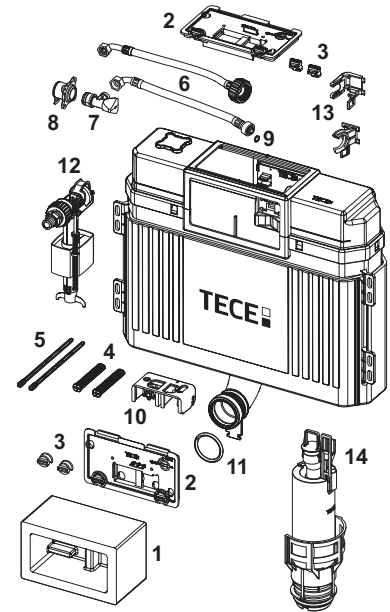
Valid from: April 2021

Pos.	Item No.	Designation	DU 1
1	9820499	Installation tunnel incl. polystyrene block	1 pc.
	9820027	Bare-wall protection system	1 pc.
2	9820017	Splash guard, complete	1 pc.
3	9820496	"easy fit" attachment (from 2021)	1 pc.
4	9820016	Actuation block	1 pc.
5	9820374	Reinforced hose M 30 (from 2020)	1 pc.
6	9820012	Cistern connection	1 pc.
7	9820013	Corner valve	1 pc.
8	9820495	Closure plug Uni cistern	1 pc.
9	9820353	Filling valve F 10 universal	1 pc.
10	9820373	Filling valve holder for Uni cistern (27 mm, M 30, from 2020)	1 pc.
11	9820223	Drain valve A 2	1 pc.
12	9820015	Flush pipe seal	1 pc.
13	9820698	Hold-down device version slider	1 pc.
14	9820699	Slider for hold-down device	1 pc.
15	9820700	Hold-down device version replacement 2003-2014	1 pc.



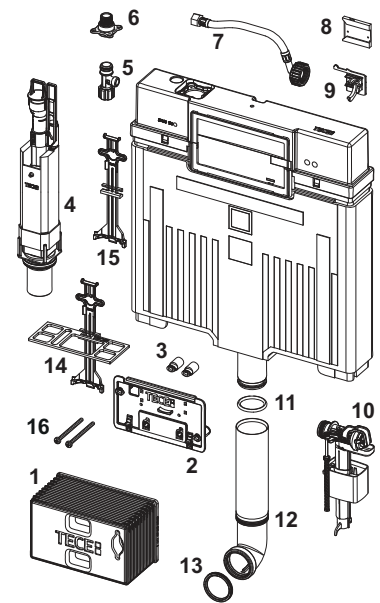
Valid till: March 2021

Pos.	Item No.	Designation	DU 1
1	9820027	Bare-wall protection system	1 pc.
2	9820017	Splash guard, complete	1 pc.
3	9820018	Clamping screws	1 pc.
4	9820019	Attaching rods (2003-2020)	1 pc.
5	9820022	Actuation rods (2003-2020)	1 pc.
6	9820026	Reinforced hose 3/8" (until 2019)	1 pc.
	9820374	Reinforced hose M 30 (from 2020)	1 pc.
7	9820013	Corner valve	1 pc.
8	9820012	Cistern connection	1 pc.
9	9820025	O-ring	1 pc.
10	9820016	Actuation block	1 pc.
11	9820015	Flush pipe seal	1 pc.
12	9820353	Filling valve F 10 universal	1 pc.
13	9820372	Filling valve holder for Uni cistern (17 mm, 3/8", up to 2019)	1 pc.
	9820373	Filling valve holder for Uni cistern (27 mm, M 30, from 2020)	1 pc.
14	9820223	Drain valve A 2	1 pc.



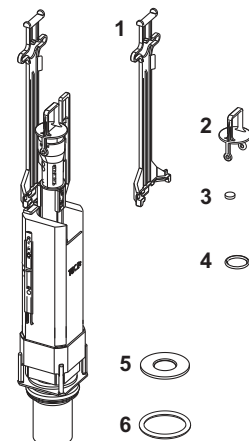
9820565 – TECE cistern Octa II

Pos.	Item No.	Designation	DU 1
1	9820499	Installation tunnel incl. polystyrene block	1 pc.
2	9820194	Splash guard, complete	1 pc.
3	9820496	"easy fit" attachment (from 2021)	1 pc.
4	9820561	Drain valve A 5	1 pc.
5	9820013	Corner valve	1 pc.
6	9820012	Cistern connection	1 pc.
7	9820562	Reinforced hose	1 pc.
8	9820216	Retainer for filling valve holder	1 pc.
9	9820375	Filling valve holder for Octa cistern (27 mm, M 30)	1 pc.
10	9820353	Filling valve F 10 universal	1 pc.
11	9820014	O-ring	1 pc.
12	9820563	Flush pipe Octa cistern	1 pc.
13	9820015	Flush pipe seal	1 pc.
14	9820439	Stiffening element incl. hold-down device	1 pc.
15	9820163	Hold-down drain device valve for cisterns 8 cm	1 pc.
16	9820574	"easy fit" attachment screws, short	1 pc.



9820224 – TECE drain valve A 3 for Octa cistern, 8 cm

Pos.	Item No.	Designation	DU 1
1	9820163	Hold-down drain device valve for cisterns 8 cm	1 pc.
2	9820222	Draw eyelet	1 pc.
3	9820275	Additional weight drain valve A 3 and A 5	1 pc.
4	9820446	O-ring joint for drain valve A 3 and A 5 (10 pieces)	1 pc.
5	9820161	Foot seal A 3 and A 5	1 pc.
6	9820220	O-ring valve seat for drain valve A 3 and A 5	1 pc.



TECEbox – Spare parts

TECE flush valve cartridge U 1

Flush valve cartridge for flush valve housing U 1.

Item No.	DU 1
9820031	1 pc.



TECE seal for flush pipe connection

Item No.	DU 1
9820213	1 pc.



TECE flush pipe connection 20 cm

PP flush pipe connection for wall-mounted toilets.

Item No.	DU 1
9820246	1 pc.



Plumbing Framework

TECEprofil PRE-WALL PROFILE

TECEprofil



	Page
Basic components	228
Toilet connection units	230
Washstand connection units	231
Urinal connection units	233
Fitting connections	234
Safety arm support, mounting plates	236
Supporting frame accessories	237
Panel facing	240
Tools	242
Spare parts	243

An overview of valid Declaration of Performance (DoP) is available on our website www.tece.com.

Notes:

DU 1 = minimum order quantity per item; sometimes it is not possible to order smaller quantities for technical reasons

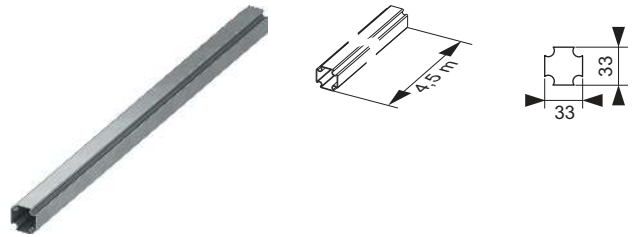
DU 2 = Euro palette for modules

TECEprofil – Basic components

TECEprofil section tube

Section tube to create a supporting framework to hold structural TECEprofil components; made of rolled steel, welded and galvanised.

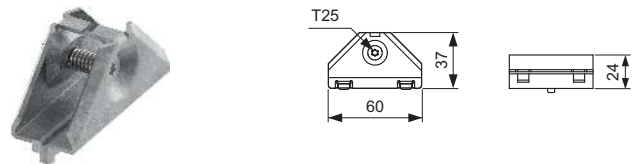
Item No.	DU 1	DU 2	DU 3
9000000	18 m	630 m	1890 m



TECEprofil corner joint

Corner joint for a solid, right-angled connection with TECEprofil section tubes; pre-assembled unit made of galvanised steel; T25 screw and compression spring.

Item No.	DU 1	DU 2
9010002	30 pc.	5400 pc.

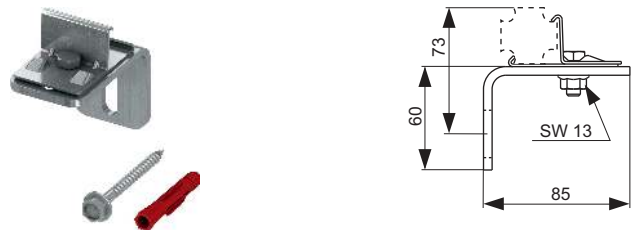


TECEprofil angle bracket

Angle bracket for attaching TECEprofil section tubes to structure. Pre-assembled galvanised steel unit incl. mounting materials.

Optional: TECEprofil sound insulation set for angle bracket 9021019.

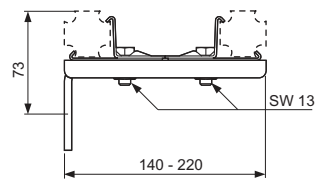
Item No.	DU 1	DU 2
9030002	10 pc.	1800 pc.



TECEprofil double joint

Double joint to simultaneously attach two TECEprofil section tubes to the structure. For supporting structure depths of 140-220 mm. Pre-assembled galvanised steel unit incl. mounting materials.

Optional: TECEprofil sound insulation set for angle bracket 9021019.

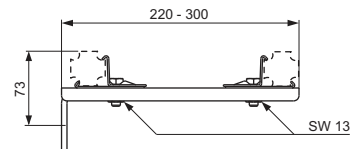


Item No.	DU 1	DU 2
9030011	5 pc.	900 pc.

TECEprofil double joint, long version

Double joint to simultaneously attach two TECEprofil section tubes to the structural body. For duct and supporting frame depths of 220-300 mm. Pre-assembled galvanised steel unit incl. mounting materials.

Optional: TECEprofil sound insulation set for angle bracket 9021019.



Item No.	DU 1	DU 2
9030013	2 pc.	250 pc.

TECEprofil sound-insulation set for angle brackets

Sound insulation kit for sound insulation of angle brackets at structural body.



Item No.	DU 1	DU 2
9021019	50 pc.	200 pc.

TECEprofil – Toilet connection units

TECEprofil toilet connection unit with Uni cistern

Toilet connection unit including “easy fit” flush plate installation. For installation in a TECEprofil supporting frame.

Uni cistern for front actuation:

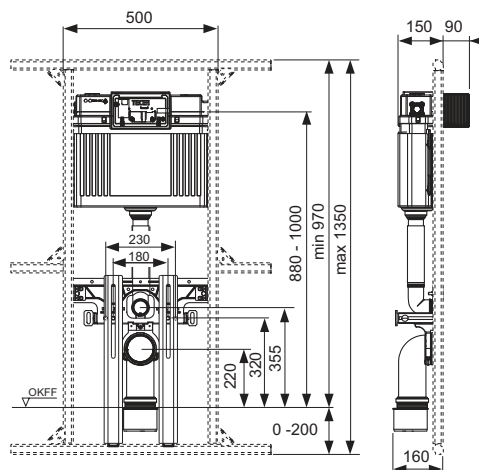
- Safety tank made of impact-resistant plastic, tested to EN 14055
- Cistern fully pre-assembled and sealed.
- Cistern connection with outer thread R 1/2" at the side, compatible with quick adapters
- 10 litre tank volume; 6 litre pre-set standard flush volume, 4.5/7.5/9 litre flush volume can be set at any time; 3 litre partial flush volume for dual-flush system; optional setting of a 4/2 litre flush volume possible; remaining volume can be used for immediate cleaning flush.
- Insulated against condensation water
- For TECE flush plates and toilet flush handle
- Can be used as a single or dual-flush cistern
- “easy fit” flush plate installation
- Installation tunnel for service opening, can be shortened without tools
- Low-noise hydraulic filling valve, fitting group 1 according to DIN 4109
- Flow control throttle without removing the drain valve

Connection unit:

- 180 or 230 mm crossbeams for toilet mounting
- Two M 12 retaining bolts and nuts
- Two adjustable floor supports for floor projections of 0-200 mm
- Toilet drain bend DN 90 with joint adapter DN 90/100, made of PP
- Joint adapter also suitable for horizontal installation
- DN 90 toilet connection set including protective plug

Please order separately:

- Toilet flush plate (see flush plates)
- Insert chute for cleaning tablets (optional)



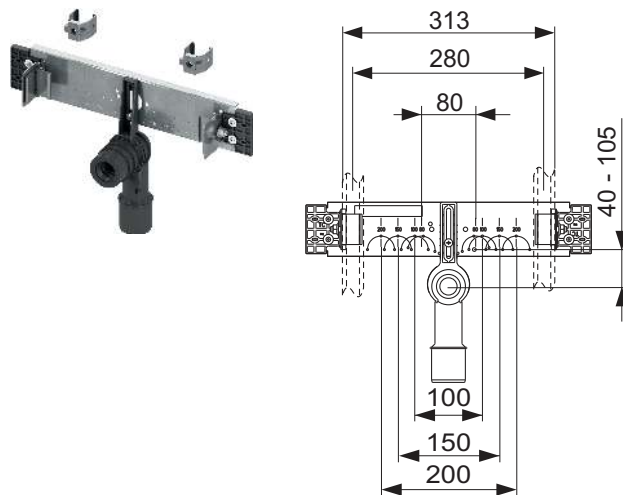
Item No.	DU 1	DU 2
9041306	1 pc.	10 pc.

TECEprofil connection unit for washstand

Sound-insulated galvanised steel crossbeam for assembly of wall disks by the customer, with pre-assembled connection bend DN 40/50, rubber collar, nominal diameter 30/50, protective plug, mounting material for attaching to TECEprofil section tubes, 2 x M 10 fixing brackets and washstand attachments.

Please order separately:

- Wall disks TECEflex 16 x 1/2", TECElogo 16 x 1/2" or TECElogo-Push 20 universal connection x 1/2"



Item No.	DU 1	DU 2
9020033	1 pc.	75 pc.

TECEprofil connection unit for washstand incl. TECEflex or TECElogo-Push wall disks

Sound-insulated galvanised steel crossbeam, pre-assembled wall disks with pre-set centre 80 mm bore hole, pre-assembled connection bend DN 40/50, with rubber collar nominal diameter 30/50, (also acts as seal), incl. protective plug, mounting material for attaching to TECEprofil section tubes, 2 x M 10 fixing brackets and washstand attachments.



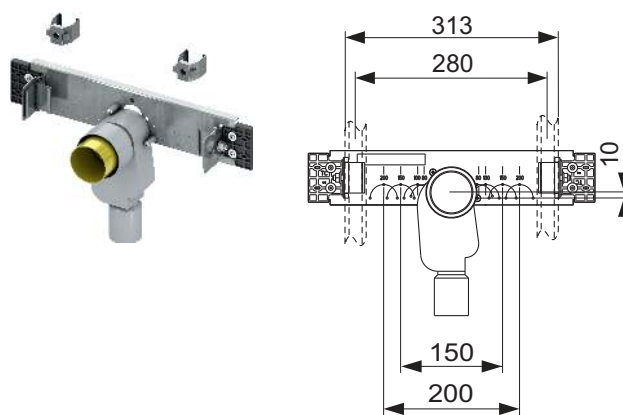
Version	Item No.	DU 1
TECEflex 16 x 1/2" silicon bronze	9020049	1 pc.

TECEprofil connection unit for washstand with concealed odour trap

Sound-insulated galvanised steel crossbeam, for assembly of wall disks on site, with pre-assembled DN 50 concealed odour trap, NW 30, removable U-bend insert (also serves as seal), incl. protective plug, fixing material for attaching to TECEprofil section tubes, 2 x M 10 fixing brackets and washstand attachments.

Please order separately:

- Wall disks TECEflex 16 x 1/2", TECElogo 16 x 1/2" or TECElogo-Push 20 universal connection x 1/2"
- Connection bend for concealed odour trap 9080001



Item No.	DU 1	DU 2
9020034	1 pc.	50 pc.

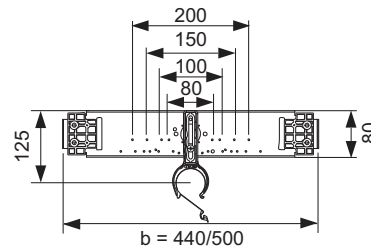
TECEprofil – Washstand connection units

TECE connection unit for washstand

Sound-insulated galvanised steel crossbeam, for assembly of wall disks on site, incl. pre-assembled drain retainer, for installation in C-profile walls.

Please order separately:

- Wall disks TECEflex 16 x 1/2", TECElogo 16 x 1/2" or TECElogo-Push 20 universal connection x 1/2"
- Toilet drain bend DN 50/40
- Rubber collar ND 30/50



Version	Item No.	DU 1	DU 2
440 mm	9020048	1 pc.	100 pc.
500 mm	9020054	1 pc.	40 pc.

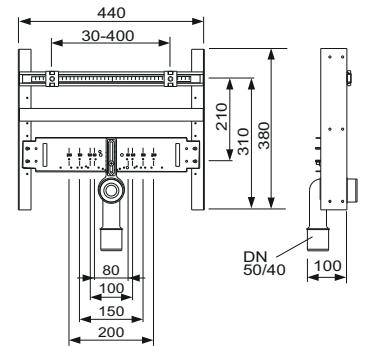
TECE washstand support for the installation in metal or wooden stud walls

Pre-assembled unit, consisting of:

- Installation frame, powder coated
- Two M 10 retaining bolts, vertically and laterally adjustable distance gauge
- Mounting connection crossbeam
- Connection bend DN 40/50 with rubber collar, NW 30/50, protective plug

Please order separately:

- Wall disks TECEflex 16 x 1/2", TECElogo 16 x 1/2" or TECElogo-Push 20 universal connection x 1/2"



Item No.	DU 1	DU 2
9510003	1 pc.	42 pc.

TECEprofil connection unit for urinal with TECE flush valve housing U 1

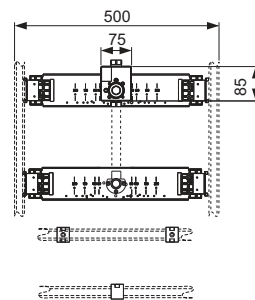
To hold manual and electronic actuation systems.

Completely pre-assembled unit, consisting of:

- Sound-insulated galvanised steel crossbeam
- TECE urinal flush valve housing with inlet flow control and bare-wall protection
- Fitting connection 1/2" x 1/2"
- 3 x M 8 fixing brackets
- Urinal fixing material
- Inlet fittings

Please order separately:

- Manual or electronic actuation



Item No.	DU 1
9020038	1 pc.

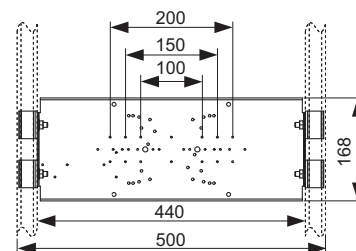
TECEprofil – Fitting connections

TECEprofil mounting crossbeam including clamps for flush-mounted and external fittings

Crossbeam made of galvanised steel, for on-site installation of concealed and surface-mounted fittings, including fixing material for fastening to TECEprofil profile pipes or for installation in metal or wooden stud walls. Suitable for example for Hansa Varox, Hansgrohe iBox universal/universal 2 and Kludi Flex-Box.

Please order separately:

- Wall discs TECEflex 16 x 1/2", TECElogo 16 x 1/2" or TECElogo-Push 20 universal connection x 1/2"



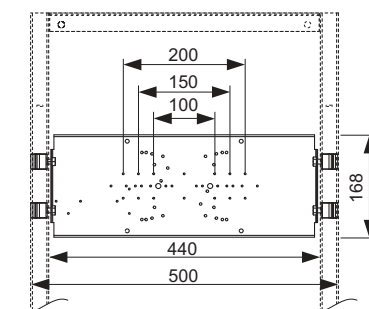
Item No.	DU 1	DU 2
9020060	1 pc.	10 pc.

TECEprofil mounting crossbeam including foot brake for flush-mounted and external fitting for subsequent installation in washstand modules

Galvanised steel crossbeam for the customer to assemble flush-mounted and external fittings; incl. mounting material for subsequent installation in TECEprofil washstand modules or for installation in metal or wooden stud walls. Suitable for example for Hansa Varox, Hansgrohe iBox universal/universal 2 and Kludi Flex-Box.

Please order separately:

- Wall discs TECEflex 16 x 1/2", TECElogo 16 x 1/2" or TECElogo-Push 20 universal connection x 1/2"



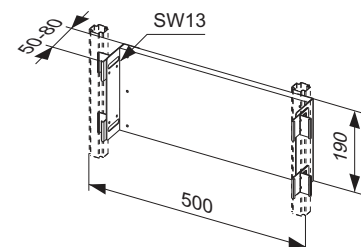
Item No.	DU 1	DU 2
9020061	1 pc.	10 pc.

TECEprofil mounting plate for flush-mounted fittings

Continuously height-adjustable assembly plate to attach flush-mounted fittings and other appointments.

Pre-assembled unit, consisting of:

- Base plate made of watertight, glued structural veneer in keeping with German standard DIN 68705
- Mounting elbow, galvanised
- Four multi-clamps



Item No.	DU 1
9150000	1 pc.

TECEprofil connection unit for washing machine

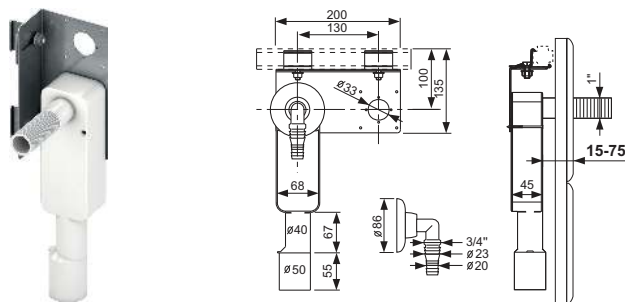
For horizontal or vertical installation in a TECEprofil supporting frame.

Consisting of:

- Galvanised steel crossbeams to attach U-bend and wall disk
- In-built U-bend for washing machine, DN 40/50
- Chromed hose connection
- Chromed rosette
- Fixing material to attach to a TECEprofil brace

Please order separately:

- Wall disks TECEflex 16 x 1/2", TECElogo 16 x 1/2" or TECElogo-Push 20 universal connection x 1/2"



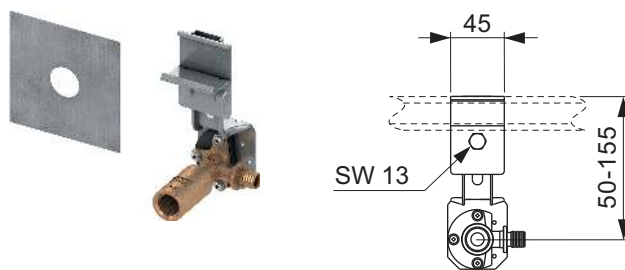
Item No.	DU 1	DU 2
9020036	1 pc.	60 pc.

TECEprofil mounting connection

To fit an individual tap connection to the TECEprofil supporting frame.

Pre-assembled unit, consisting of:

- Wall disk TECEflex 16 x 1/2", long or TECE 1/2" x 1/2", long or TECElogo-Push 20 universal connection x 1/2"
- Sound insulation from supporting frame
- Self-adhesive seal collar to seal between panel and wall disk
- Fixing material to attach to a TECEprofil section tube
- Marking plug



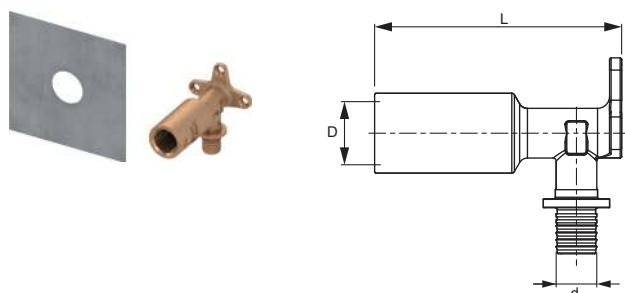
Version	Item No.	DU 1	DU 2
TECE 1/2" x 1/2" silicon bronze	9020004	1 pc.	4 pc.
without wall disk	9020046	1 pc.	4 pc.
TECEflex 16 x 1/2" silicon bronze	9020051	1 pc.	4 pc.

TECEprofil system wall disks

Long dry-wall construction disk to mount on site with washstands, bidet and fittings in the TECEprofil system.

Consisting of:

- Wall disk TECEflex 16 x 1/2", long or TECE 1/2" x 1/2", long or TECElogo-Push 20 universal connection x 1/2"
- Self-adhesive seal collar to seal between panel and wall disk
- Mounting material
- Marking plug

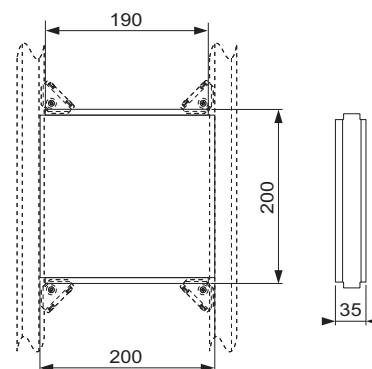


Version	D	d	Length	Item No.	DU 1	DU 2
TECE 1/2" x 1/2" silicon bronze	Rp 1/2"	Rp 1/2"	82 mm	9021017	1 pc.	10 pc.
TECEflex 16 x 1/2" silicon bronze	Rp 1/2"	Dim. 16 TECEflex	82 mm	9021021	1 pc.	10 pc.

TECEprofil – Safety arm support, mounting plates

TECEprofil mounting plate for additional appointments, 200 x 200 mm

Mounting plate for a stable attachment of additional appointments, e.g., mirror cupboard in a TECEprofil supporting frame; made of watertight, glued structural veneer to DIN 68705.



Item No.	DU 1	DU 2
9042005	1 pc.	50 pc.

TECEprofil module for safety arm support and support systems

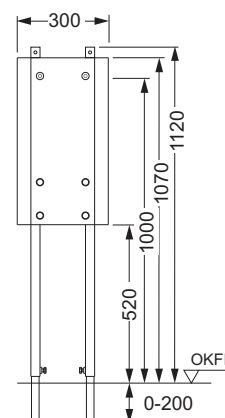
For installation in a UA profile stud wall or as pre-wall element.

Pre-assembled unit, consisting of:

- Self-supporting mounting frame, powder-coated
- Watertight, multi-glued wood inlay panel
- Mounting materials for fixing to a UA profile wall

Please order separately:

- Depth-adjustable module attachment for pre-wall assembly



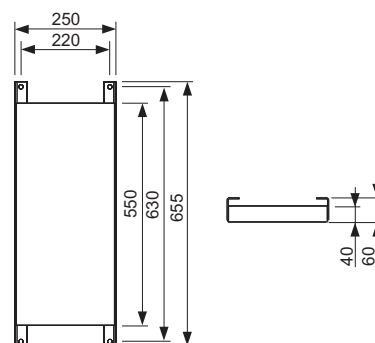
Item No.	DU 1	DU 2	DU 3
9360000	1 pc.	14 pc.	28 pc.

TECEprofil mounting plate for safety arm support and support systems

For the stable fixing of support handles and holding systems in a TECEprofil supporting structure or a UA profile stud wall.

Pre-assembled unit, consisting of:

- Attachment plate for screwing to a TECEprofil universal module, of watertight glued veneer
- Two multi-clamps for fixing to the TECEprofil supporting structure

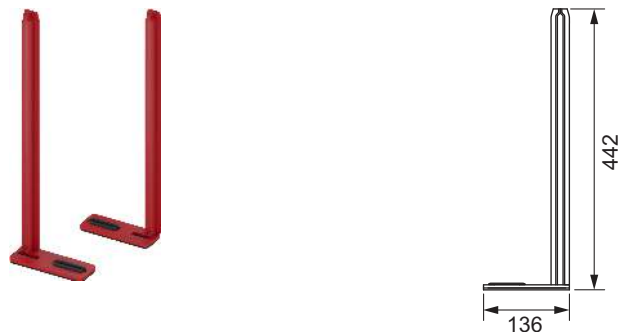


Item No.	DU 1
9042003	1 pc.

TECEprofil register foot

Register foot for the TECEprofil supporting frame, allows attachment of pre-assembled TECEprofil walls below the ceiling or on the floor.

Version	Item No.	DU 1
right	9820461	1 pc.
left	9820462	1 pc.



TECEprofil connector with ball joint

Universal attachment to mount components in the TECEprofil supporting frame. With the ball joint it is possible to set any angle and position.

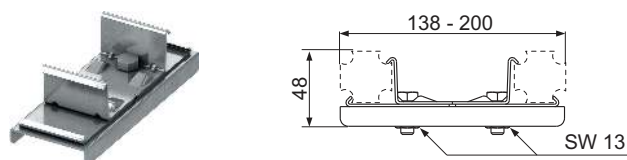
Item No.	DU 1	DU 2
9018011	2 pc.	200 pc.



TECEprofil universal connector

To join TECEprofil section tubes at any angle. Pre-assembled galvanised steel unit.

Item No.	DU 1	DU 2
9018002	6 pc.	1176 pc.



TECE mounting set for UA profile walls

Fixing material to attach TECEprofil modules to lateral UA profiles, suitable for UA profiles 50 to DIN 18182 Part 1.

Consisting of:

- Four bolts with nuts
- Eight washers

Item No.	DU 1	DU 2
9380006	1 set	5 set



TECE mounting set for wooden stud walls

Fixing material to attach TECE modules to lateral stud structures.

Consisting of:

- Four hexagonal head wood screws
- Four washers

Item No.	DU 1	DU 2
9380005	1 set	5 set



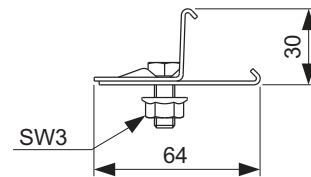
TECEprofil – Supporting frame accessories

TECEprofil multi-clips

To fix non-system materials to TECEprofil section tubes.

Consisting of:

- M 8 nut and bolt
- Galvanised steel plates



Item No.	DU 1
9010003	10 pc.

TECEprofil fixing bracket

To hold a threaded rod. Pre-assembled galvanised steel unit, without threaded rod.



Version	Item No.	DU 1	DU 2
M 8	9040004	10 pc.	3200 pc.
M 10	9040001	10 pc.	4000 pc.

TECEprofil end cap with rubber overlay for section tube

Item No.	DU 1
9820128	1 pc.



TECE attaching screw 4.2 x 13 mm

Self-tapping Phillips screw to fix non-system materials to TECEprofil section tubes and crossbeams.

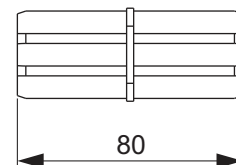


PH2

Item No.	DU 1	DU 2
9018007	100 pc.	500 pc.

TECEprofil section tube connector

To create a stable axial connection between two TECEprofil section tubes.



Item No.	DU 1	DU 2
9010009	5 pc.	2700 pc.

TECEprofil double holder for narrow partition walls

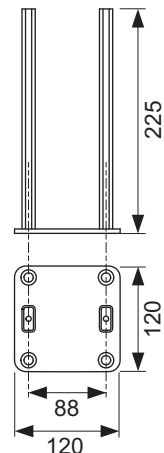
Insert holder for TECEprofil section tubes, for the installation of single-shell TECEprofil partition walls. Attachment is carried out on solid unfinished floors and on solid walls.

Consisting of:

- Double holder made of coated steel
- Mounting material

Note:

A TECEprofil insert holder (Item No. 9030031) is always required in addition for the construction of a narrow partition wall.



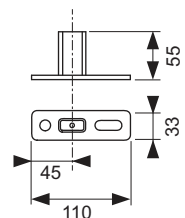
Item No.	DU 1
9030030	2 pc.

TECEprofil insert holder

Short insert holder for the TECEprofil section tube, for fastening to solid walls and floors.

Consisting of:

- Insert holder made of coated steel
- Mounting material



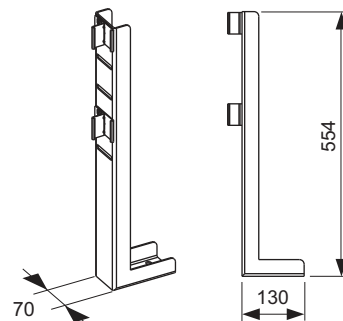
Item No.	DU 1
9030031	5 pc.

TECEprofil supporting foot for free-standing walls

To brace stand-alone TECEprofil supporting frames.

Consisting of:

- Galvanised steel supporting foot
- Mounting material for fitting to shell floor
- Mounting material for attaching to TECEprofil supporting structure



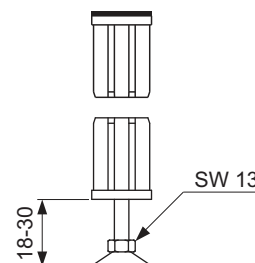
Item No.	DU 1
9030017	1 pc.

TECEprofil plug-in foot

Levelling foot and end cap for insertion into a TECEprofil section tube. The levelling foot is suitable for load bearing, e.g. supporting steel bathtubs. No additional steel bathtub foot is required.

Consisting of:

- Levelling foot to adjust height of TECEprofil section tubes
- End cap with rubber overlay



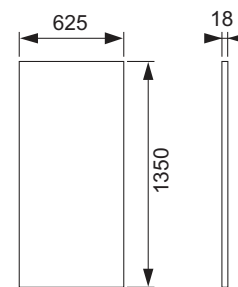
Item No.	DU 1	DU 2
9140000	4 pc.	20 pc.

TECEprofil – Panel facing

TECEprofil panel plate

Moisture proof plate for panel facing TECEprofil supporting frame of TECEprofil modules. Made of impregnated plasterboard, to DIN 4102-A2, non-flammable.

Item No.	DU 1	DU 2
9200000	30 pc.	60 pc.



TECEprofil knifing filler, impregnated

To fill gaps in the TECEprofil panel facing. Supplied in 5 kg bags. Filling to quality level Q1; higher quality levels must be taken into consideration in invitations to tender.

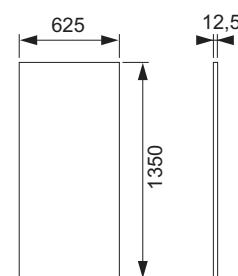
Item No.	DU 1	DU 2
9200001	5 kg	20 kg



TECEprofil panel plate, for highly wet areas

Special facing plate for TECEprofil supporting frame in highly wet areas. 12.5 mm thick cement-bound lightweight concrete panel, in accordance with EN 13501-1, non-flammable.

Item No.	DU 1	DU 2	DU 3
9200013	1 pc.	30 pc.	60 pc.



TECEprofil glue cartridge

For adhesion and grouting of butt-joined TECEprofil panel plate (9200013) for highly-wet areas.

Item No.	DU 1	DU 2
9200014	1 pc.	10 pc.



TECEprofil panel screw, self-tapping

To attach TECEprofil panels to TECEprofil section tubes; made of steel, 3.5 mm x 35 mm (drill bit PH2).



PH2

Item No.	DU 1	DU 2
9200002	250 pc.	4500 pc.

TECEprofil fire protection plate set

Fire protection plates for TECEprofil toilet modules with TECE cisterns.
Set consisting of two non-flammable rockwool heat insulation boards A1.
Dimensions (W x H x D): 1000 x 625 x 30 mm and 711 x 440 x 20 mm.

In the event of fire protection requirements for partition walls with toilet modules, the fire protection plates must be used. Fire protection walls made of TECEprofil from F 30 to F 120 must be installed in accordance with "abP P-3226/492/11-MPA BS".



Item No.	DU 1	DU 2
9200017	1 pc.	10 pc.

TECEprofil – Tools

TECE repair set for cistern made of PP

To eliminate damage (e.g. from drilling) up to a diameter of approx. 12 mm.

Consisting of:

- Five plastic disks
- Sandpaper
- Hot glue gun
- Two glue sticks
- Cleaner (125 ml)
- Two cloths



Item No.	DU 1
9221013	1 pc.

TECE corner valve key

For assembly/disconnection of corner valve in TECE cistern, with holder for 1/2" or 1/4" ratchet.



Item No.	DU 1
9820264	1 pc.

TECEprofil holding magnet

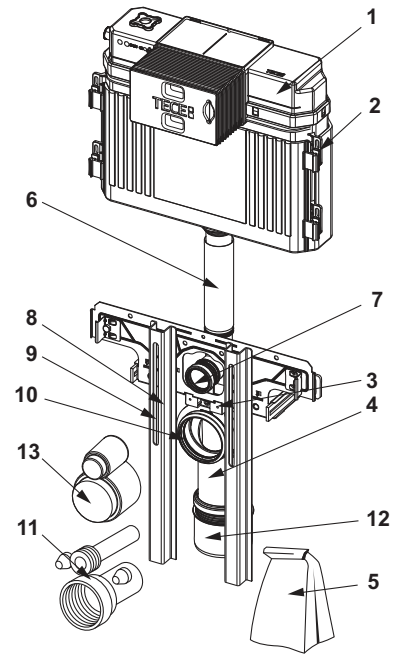
Installation tool for creating a TECEprofil framework. Allows the temporary holding of two section tubes without corner joints.



Item No.	DU 1	DU 2	DU 3
9018012	1 pc.	15 pc.	1200 pc.

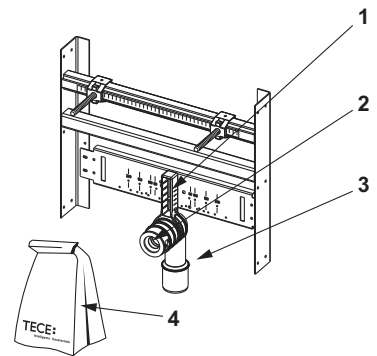
9041306 – TECEprofil toilet connection unit with Uni cistern

Pos.	Item No.	Designation	DU 1
1	9820103	Uni cistern 1120 mm	1 pc.
2	9820065	Assembly kit for cistern	1 pc.
3	9820034	Drain bend holder DN 50	1 pc.
4	9820135	Toilet drain bend DN 90 (PP)	1 pc.
5	9820066	By-pack for toilet module (mounting material, etc.)	1 pc.
6	9820011	Flush pipe with O-ring, length 269 mm, dry-wall construction	1 pc.
7	9820015	Flush pipe seal	1 pc.
8	9820335	C-section for module foot	1 pc.
9	9820037	Spacer for the installation of the toilet module feet	1 pc.
10	9820139	Seal for drain bend DN 90	1 pc.
11	9820057	Toilet connection set, DN 90	1 pc.
12	9820136	Toilet connector, DN 90/100, PP	1 pc.
13	9820312	Bare wall toilet plug for flush pipe and drain bend	1 pc.



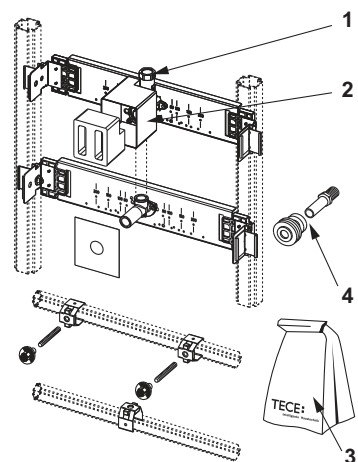
9510003 – TECE washstand support for the installation in metal or wooden stud walls

Pos.	Item No.	Designation	DU 1
1	9820034	Drain bend holder DN 50	1 pc.
2	9820059	Rubber collar nominal diameter 30/50	1 pc.
3	9820035	Drain bend DN 50/DN 40	1 pc.
4	9820133	By-pack for washstand support (mounting material, etc.)	1 pc.



9020038 – TECEprofil connection unit for urinal with TECE flush valve housing U 1

Pos.	Item No.	Designation	DU 1
1	9820074	Urinal flush valve housing U 1 with plug	1 pc.
2	9820075	Bare-wall protection, supporting body, screws flush valve housing U 1	1 pc.
3	9820076	By-pack for urinal module (mounting material, etc.)	1 pc.
4	9820055	Inlet fittings for urinal, 1/2"	1 pc.

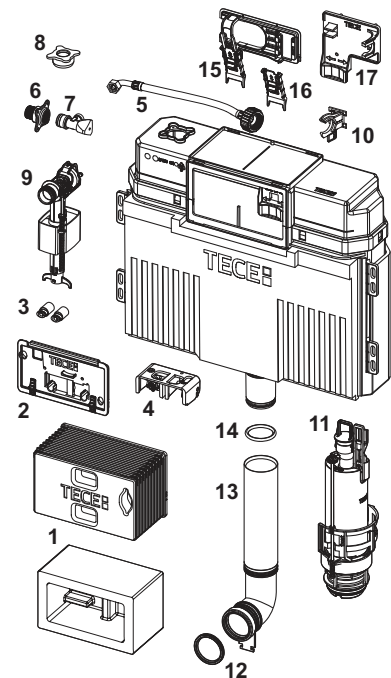


TECEprofil – Spare parts

9820103 – TECE Uni cistern 1120 mm

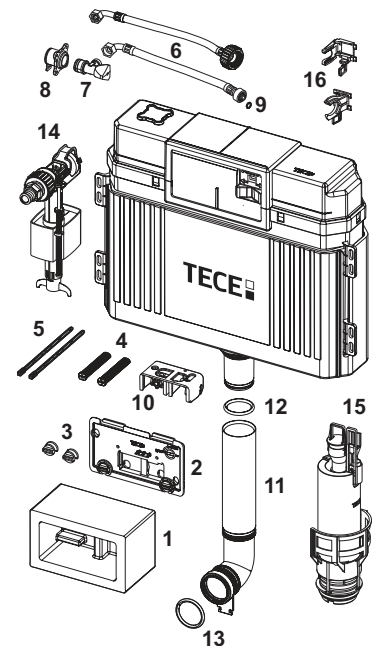
Valid from: April 2021

Pos.	Item No.	Designation	DU 1
1	9820499	Installation tunnel incl. polystyrene block	1 pc.
	9820027	Bare-wall protection system	1 pc.
2	9820017	Splash guard, complete	1 pc.
3	9820496	"easy fit" attachment (from 2021)	1 pc.
4	9820016	Actuation block	1 pc.
5	9820374	Reinforced hose M 30 (from 2020)	1 pc.
6	9820012	Cistern connection	1 pc.
7	9820013	Corner valve	1 pc.
8	9820495	Closure plug Uni cistern	1 pc.
9	9820353	Filling valve F 10 universal	1 pc.
10	9820373	Filling valve holder for Uni cistern (27 mm, M 30, from 2020)	1 pc.
11	9820223	Drain valve A 2	1 pc.
12	9820015	Flush pipe seal	1 pc.
13	9820011	Flush pipe with O-ring, length 269 mm, dry-wall construction	1 pc.
	9820331	Extra long flush pipe, length 369 mm	1 pc.
14	9820014	O-ring	1 pc.
15	9820698	Hold-down device version slider	1 pc.
16	9820699	Slider for hold-down device	1 pc.
17	9820700	Hold-down device version replacement 2003-2014	1 pc.



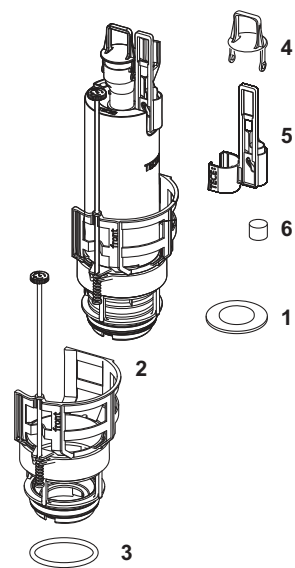
Valid till: March 2021

Pos.	Item No.	Designation	DU 1
1	9820027	Bare-wall protection system	1 pc.
2	9820017	Splash guard, complete	1 pc.
3	9820018	Clamping screws	1 pc.
4	9820019	Attaching rods (2003-2020)	1 pc.
5	9820022	Actuation rods (2003-2020)	1 pc.
6	9820026	Reinforced hose 3/8" (until 2019)	1 pc.
	9820374	Reinforced hose M 30 (from 2020)	1 pc.
7	9820013	Corner valve	1 pc.
8	9820012	Cistern connection	1 pc.
9	9820025	O-ring	1 pc.
10	9820016	Actuation block	1 pc.
11	9820011	Flush pipe with O-ring, length 269 mm, dry-wall construction	1 pc.
	9820331	Extra long flush pipe, length 369 mm	1 pc.
12	9820014	O-ring	1 pc.
13	9820015	Flush pipe seal	1 pc.
14	9820353	Filling valve F 10 universal	1 pc.
15	9820223	Drain valve A 2	1 pc.
16	9820372	Filling valve holder for Uni cistern (17 mm, 3/8", up to 2019)	1 pc.
	9820373	Filling valve holder for Uni cistern (27 mm, M 30, from 2020)	1 pc.



9820223 – TECE drain valve A 2

Pos.	Item No.	Designation	DU 1
1	9820233	Gasket (drain valve)	1 pc.
2	9820670	Valve seat with adjustable flush flow throttle	1 pc.
3	9820005	O-ring (valve seat)	1 pc.
4	9820222	Draw eyelet	1 pc.
5	9820229	Pull rod for electrical actuation	1 pc.
6	9820420	Additional weight small pull rod	1 pc.



TECE flush valve cartridge U 1

Flush valve cartridge for flush valve housing U 1.

Item No.	DU 1
9820031	1 pc.



TECE mounting set

Item No.	DU 1
9820054	1 pc.



TECE seal sleeve for wall disk

Item No.	DU 1
9820125	1 pc.



TECE seal for flush pipe connection

Item No.	DU 1
9820213	1 pc.



TECE toilet mounting set

Item No.	DU 1
9820245	1 pc.



TECEprofil – Spare parts

TECE filling valve F 10 universal

Universal filling valve for installation in all TECE cisterns as well as almost all standard flush-mounted and wall-mounted cisterns from other manufacturers.

Product details:

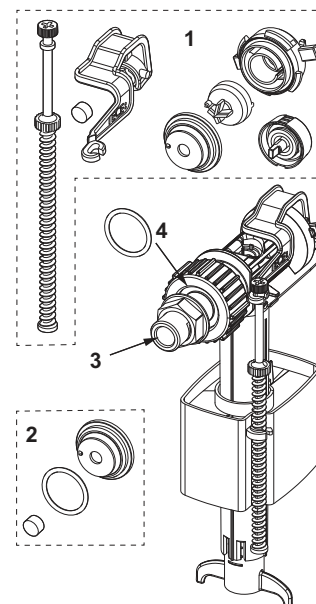
- 3/8" metal connection thread
- Flow pressure 0.5-10 bar
- Minimum flow pressure 0.5 bar
- Adjustable fill height
- Adjustable outflow pipe
- Low-noise in accordance with group I (DIN 4109)
- Compact design
- Incl. adapter and attachment nut
- Tested according to EN 14124



Item No.	DU 1	DU 2	DU 3
9820353	1 pc.	10 pc.	240 pc.

9820353 – TECE filling valve F 10 universal

Pos.	Item No.	Designation	DU 1
1	9820382	Filling valve F 10 valve lever set	1 pc.
2	9820383	Filling valve F 10 sealing kit	1 pc.
3	9820398	Filling valve F 10 threaded connection 3/8"	1 pc.
4	9820587	Filling valve F 10 water connection O-ring M 30	1 pc.



Plumbing Framework

TECEsystem PREFAB SOLUTIONS

TECEsystem



MORE IS POSSIBLE

Industrial prefabrication is the key to higher productivity in construction. TECE can look back on over 30 years of experience with prefabricated installation walls and shafts. But system construction by the TECE brand is much more than a ready-to-install assembly group. In addition to the product, it also includes a quality process, comprehensive service and reliable warranties.

» We're getting 30 registers delivered on Monday morning. Everything will be installed by noon on Friday. Such reliability in planning makes my life stress-free.



1



2



3



1 Customised planning

TECE application engineers work together with project managers to determine the technical and legal requirements. The customised sanitary wall concept is tested on a prototype. Next, the final specifications are incorporated into the production drawings.

2 Customised manufacturing

Industrial, standardised prefabrication guarantees a high quality level. All components are tailored to each other and assembled in compliance with standards. This also simplifies procedures at the interfaces between the trades and shortens assembly times.

3 Individual delivery

The finished installation walls are delivered according to a specified schedule in consultation with the site management. Containers or swap bodies are also supplied according to requirements.

Product Highlights

- Customised planning
- Customised manufacturing
- Just-in-time delivery to the construction site
- Optimised procedures at the interfaces
- Reduced construction times
- Cost savings due to quick installation
- Assembly conforming to standards
- Large projects can be realised economically
- High quality standard
- All-round service throughout the project



All-round service at every stage of the project

TECE offers an all-round service from start to finish in the building process to ensure a trouble-free building process. During the preliminary planning stage, the requirements are determined and plans and elevations are drawn up in coordination with architects and planners. If required, fitters are briefed on site at the construction site to ensure that everything runs smoothly and that the installation is performed quickly. The After-Sales Service continues to support the construction project after its completion. If required, the After-Sales Service can find the right spare part or help to repair a malfunction.



Cost-efficiency

The fast, easy installation of the systems reduces the assembly costs on site and minimises the risk of building delay. Storage costs do not arise thanks to just-in-time delivery. During modernizations, the fast construction process helps reduce rent abatements.

Drainage Systems

TECEdrainway SHOWER CHANNELS

TECEdrainway



TECEdrainway



	Page
Shower channels	254
Drains	255
Accessories	258
Spare parts	260

An overview of valid Declaration of Performance (DoP) is available on our website www.tece.com.

TECEDrainway – Shower channels

TECEDrainway shower profile

NEW

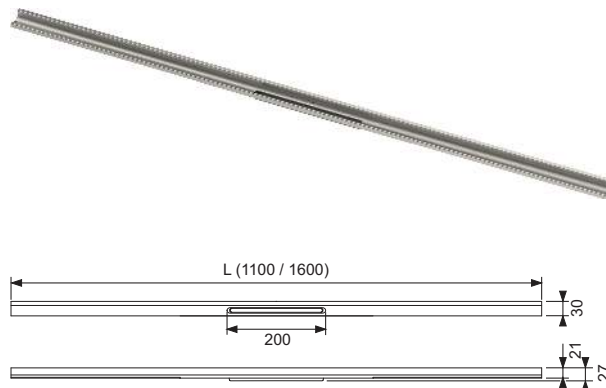
Shower profile for shower drainage, for installation in tile adhesive above the screed and seal.

Consisting of:

- Cuttable shower profile with internal slope to improve water drainage and self-cleaning effect
- Shower profile can be shortened to ≥ 600 mm
- Shower profile made of stainless steel material 1.4301 (304)
- Profile supports for aligning the profile, for easy installation and a force-fit connection with the tile adhesive
- For floor coverings from 8-16 mm (including adhesive bed) and for wall coverings from 8-23 mm (including adhesive bed)
- For installation on the wall (flush with the wall)
- Adjustment disc for precise alignment of the shower profile and connecting piece to a TECEDrainway drain
- Includes sound insulation strip
- End caps (left and right) included for optional use
- Includes glazing blocks for alignment

Please order separately:

- TECEDrainway drain



Length	Colour	Item No.		DU 1
1100 mm	Brushed stainless steel	691100	NEW	1 pc.
1600 mm	Brushed stainless steel	691600	NEW	1 pc.

TECEDrainway shower profile with coloured surface

NEW

Shower profile for shower drainage, for installation in tile adhesive above the screed and seal.

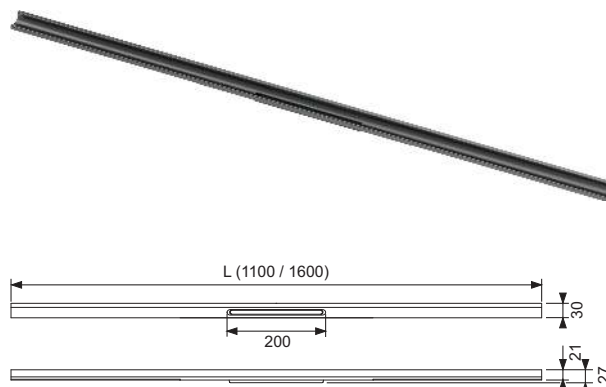
The finishes are colour matched to the TECESquare II metal toilet flush plates.

Consisting of:

- Cuttable shower profile with internal slope to improve water drainage and self-cleaning effect
- Shower profile can be shortened to ≥ 600 mm
- Shower profile made of stainless steel material 1.4301 (304) with coloured PVD coating
- Profile supports for aligning the profile, for easy installation and a force-fit connection with the tile adhesive
- For floor coverings from 8-16 mm (including adhesive bed) and for wall coverings from 8-23 mm (including adhesive bed)
- For installation on the wall (flush with the wall)
- Adjustment disc for precise alignment of the shower profile and connecting piece to a TECEDrainway drain
- Includes sound insulation strip
- End caps (left and right) included for optional use
- Includes glazing blocks for alignment

Please order separately:

- TECEDrainway drain



Length	Colour	Item No.		DU 1
1100 mm	Brushed black	691120	NEW	1 pc.
1100 mm	Brushed brass	691130	NEW	1 pc.
1100 mm	Brushed bronze	691140	NEW	1 pc.
1600 mm	Brushed black	691620	NEW	1 pc.
1600 mm	Brushed brass	691630	NEW	1 pc.
1600 mm	Brushed bronze	691640	NEW	1 pc.

TECEdrainway horizontal "standard" drain, DN 50*

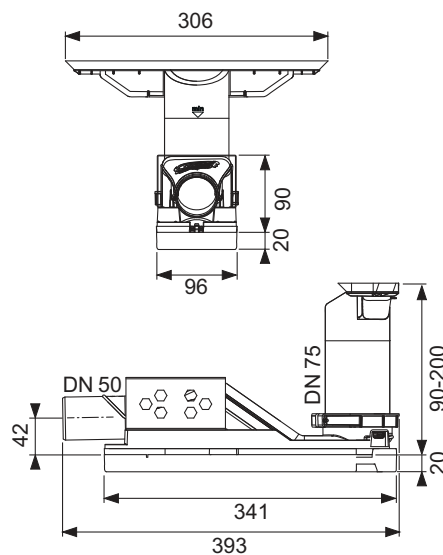
NEW

Drain with free-flow technology for TECEdrainway shower profiles, for installation in screed, for connection to a DN 50 drain pipe (180° swivelling). With factory-fitted Seal System sealing collar. Meets the requirements of EN 1253-1 and DIN 18534.

- Min. installation height 90 mm (lower edge of drain to upper edge of screed)
- Drainage capacity $\geq 0.5/\geq 0.8$ l/s (according to EN 1253 at 10/20 mm build-up)
- Sealing water height 50 mm
- Integrated screed anchoring
- Factory-fitted, flexible sealing collar with seal system
- Matching prefabricated sound insulation strip
- Protective construction cover including slurry protection during installation of the composite seal
- Floor attachment including impact dowels and sound decoupling elements
- Spacer plate with a thickness of 20 mm for optional use with long drain pipes

Please order separately:

- Drainbase sound insulation mat (optional)



Item No.		DU 1
693010	NEW	1 pc.



TECEdrainway – Drains

TECEdrainway horizontal "flat" drain, DN 40*

NEW

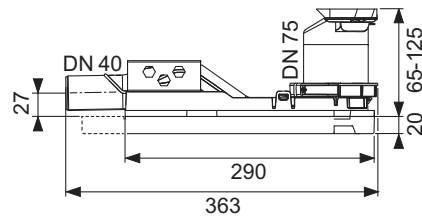
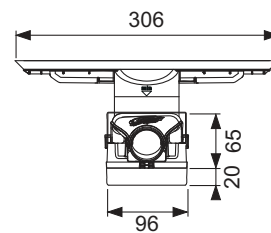
Drain with free-flow technology for TECEdrainway shower profiles, for installation in screed, for connection to a DN 40 drain pipe (180° swivelling). With factory-fitted Seal System sealing collar. Meets the requirements of EN 1253-6 and DIN 18534.

- Min. installation height 65 mm (lower edge of drain to upper edge of screed)
- Drainage capacity $\geq 0.5/\geq 0.6$ l/s (according to EN 1253 at 10/20 mm build-up)
- Sealing water height 25 mm
- Integrated screed anchoring
- Factory-fitted, flexible sealing collar with seal system
- Matching prefabricated sound insulation strip
- Protective construction cover including slurry protection during installation of the composite seal
- Floor attachment including impact dowels and sound decoupling elements
- Spacer plate with a thickness of 20 mm for optional use with long drain pipes

Please order separately:

- Drainbase sound insulation mat (optional)

Item No.		DU 1
693020	NEW	1 pc.



TECEdrainway "vertical" drain, DN 50*

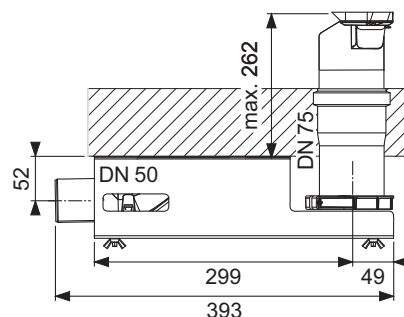
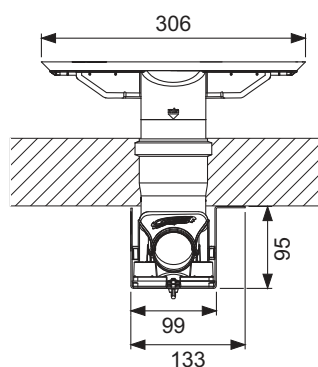
NEW

Drain with free-flow technology for TECEdrainway shower profiles, for installation in screed, for vertical connection to a DN 50 drain pipe (180° swivelling). With factory-fitted Seal System sealing collar. Meets the requirements of EN 1253-1 and DIN 18534.

- Min. installation height 42 mm (from raw concrete ceiling to upper edge of screed)
- Drainage capacity $\geq 0.5/\geq 1.2$ l/s (according to EN 1253 at 10/20 mm build-up)
- Sealing water height 50 mm
- Integrated screed anchoring
- Factory-fitted, flexible sealing collar with seal system
- Matching prefabricated sound insulation strip
- Protective construction cover included slurry protection during installation of the composite seal
- Ceiling mounting including mounting material for the floor below
- Includes DN 75 drain pipe, length 250 mm
- Required core drilling: 100 mm

Please order separately:

- Drainbase sound insulation mat (optional)
- Fire protection tape (optional)



Item No.		DU 1
693030	NEW	1 pc.



TECEDrainway – Accessories

TECEDrainway extension adapter for "natural stone" adjustment disc **NEW**

Extension adapters (2 units) for adjustment disc to extend the height of floor structures continuously from 16-32 mm (including adhesive bed). Suitable for all TECEDrainway drains.



Item No.		DU 1
694008	NEW	1 pc.

TECEDrainway cleaning spiral **NEW**

Plastic-coated pipe cleaning spiral for cleaning drain pipes.

Diameter: approx. 7 mm

Length: 2.5 m



Item No.		DU 1
694000	NEW	1 pc.

TECEDrainway high-pressure hose, length 10 m **NEW**

Hose with 1/4" male thread and 17 mm key width for connection to standard high-pressure cleaners using TECEDrainway adapters.



Item No.		DU 1
694001	NEW	1 pc.

TECEDrainway adapter for high-pressure cleaners **NEW**

Adapter for connecting the high-pressure hose to standard high-pressure cleaners.



Version	Item No.		DU 1	DU 2
Easy Lock TR22 FT adapter for Kärcher	694002	NEW	1 pc.	50 pc.
Plug-in nipple D10 adapter for Kränzle	694003	NEW	1 pc.	50 pc.
Plug-in nipple D12 adapter for Nilfisk	694004	NEW	1 pc.	50 pc.
Bayonet adapter for Lavor	694005	NEW	1 pc.	50 pc.
Bayonet adapter for Nilfisk	694006	NEW	1 pc.	50 pc.
Bayonet adapter for Kärcher	694007	NEW	1 pc.	50 pc.

TECEDrainway fire protection set **NEW**

Fire protection set for use with the TECEDrainway "vertical" drain, DN 50, classification according to general construction type approval no.

Z-19.53-237 1,

fire resistance class F90,

required core drilling 100 mm

Application area: Solid ceilings \geq 150 mm ceiling thickness

Closure of the annular gap necessary

Set consisting of:

- Self-adhesive fire protection tape, length 790 mm
- Identification label



Item No.		DU 1
694009	NEW	1 pc.

TECE sound insulation mat Drainbase

Sound insulation mat for assembly under floating screed in the area of floor-level showers or throughout the bathroom. To reduce plumbing noise and provide impact noise insulation for renovations and new buildings.

Made from recycled high-tensile rubber granules bound with PUR elastomer. Meets enhanced sound insulation requirements for installation noise level according to DIN 4109-5, issued 2020-08 and the highest sound insulation level SSt III according to VDI 4100, issued 2012-10 (sound test verification available on request).

- Form of delivery: 1.25 m x 1.25 m x 6 mm
- Fire class: B2 (DIN 4102)
- Thermal resistance: 0.05 (m²K)/W
- Compression at 15 t/m²: 0.6 mm
- Impact noise reduction: $\Delta L_w = 20$ dB(A) (for 50 mm screed)



Item No.	DU 1	DU 2
660001	1 pc.	16 pc.

TECE sound insulation mat Drainbase, roll

Sound insulation mat for assembly under floating screed in the area of floor-level showers or throughout the bathroom. To reduce plumbing noise and provide impact noise insulation for renovations and new buildings.

Made from recycled high-tensile rubber granules bound with PUR elastomer. Meets enhanced sound insulation requirements for installation noise level according to DIN 4109-5, issued 2020-08 and the highest sound insulation level SSt III according to VDI 4100, issued 2012-10 (sound test verification available on request).

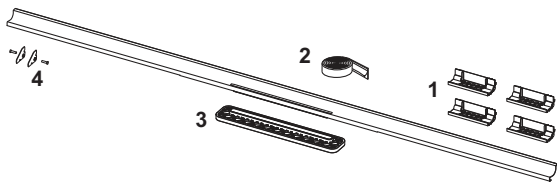
- Form of delivery: 8.0 m x 1.25 m x 6 mm (roll, approx. 50 kg)
- Fire class: B2 (DIN 4102)
- Thermal resistance: 0.05 (m²K)/W
- Compression at 15 t/m²: 0.6 mm
- Impact noise reduction: $\Delta L_w = 20$ dB(A) (for 50 mm screed)



Item No.	DU 1
660002	8 m

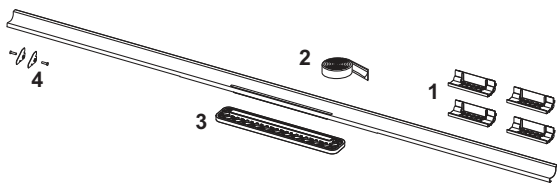
TECEdrainway – Spare parts

TECEdrainway shower profile



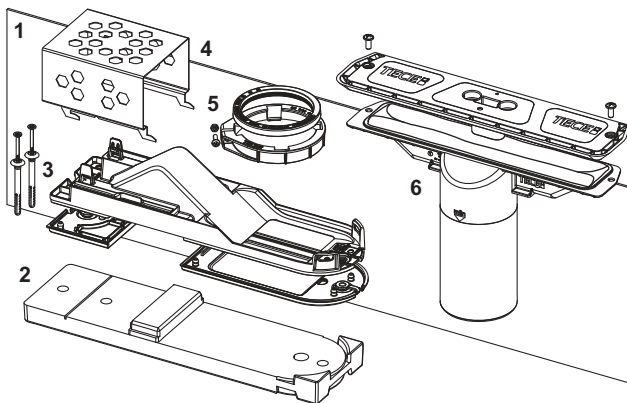
Pos.	Item No.	Designation		DU 1
1	695009	Profile brackets (4 pieces)	NEW	1 pc.
2	695010	Sound insulation strip shower profile	NEW	1 pc.
3	695011	Adjustment disc	NEW	1 pc.
4	695012	End caps, brushed stainless steel	NEW	1 pc.

TECEdrainway shower profile with coloured surface



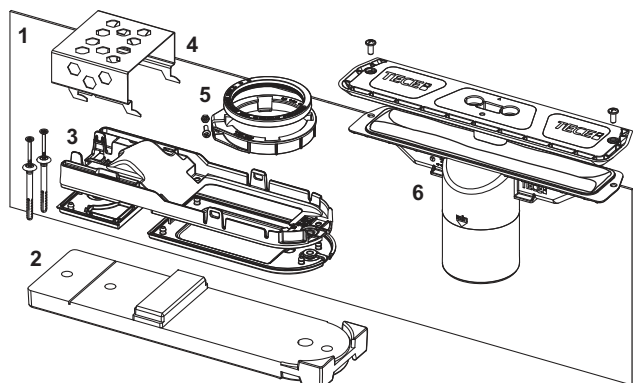
Pos.	Item No.	Designation		DU 1
1	695009	Profile brackets (4 pieces)	NEW	1 pc.
2	695010	Sound insulation strip shower profile	NEW	1 pc.
3	695011	Adjustment disc	NEW	1 pc.
4	695013	End caps, brushed black	NEW	1 pc.
	695014	End caps, brushed brass	NEW	1 pc.
	695015	End caps, brushed bronze	NEW	1 pc.

693010 – TECEdrainway horizontal "standard" drain, DN 50



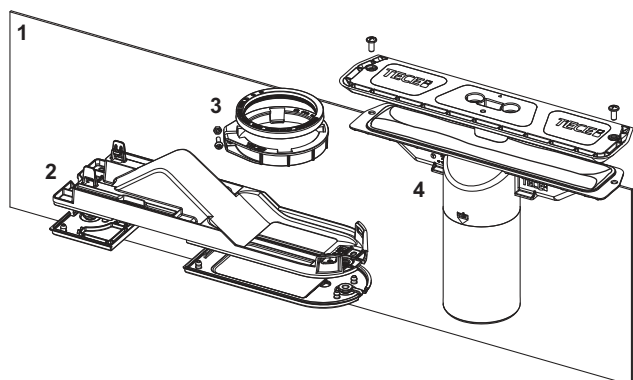
Pos.	Item No.	Designation		DU 1
1	695003	Sound insulation strip drain	NEW	1 pc.
2	695004	Distance plate	NEW	1 pc.
3	695000	Mounting kit floor mounting DN 50	NEW	1 pc.
4	695001	Reinforcement metal sheet DN 50	NEW	1 pc.
5	695002	Clamping ring including mounting kit	NEW	1 pc.
6	695005	Mounting kit drain top DN 50	NEW	1 pc.

693020 – TECEdrainway horizontal "flat" drain, DN 40



Pos.	Item No.	Designation		DU 1
1	695003	Sound insulation strip drain	NEW	1 pc.
2	695004	Distance plate	NEW	1 pc.
3	695006	Mounting kit floor mounting DN 40	NEW	1 pc.
4	695007	Reinforcement metal sheet DN 40	NEW	1 pc.
5	695002	Clamping ring including mounting kit	NEW	1 pc.
6	695008	Mounting kit drain top DN 40	NEW	1 pc.

693030 – TECEdrainway "vertical" drain, DN 50



Pos.	Item No.	Designation		DU 1
1	695003	Sound insulation strip drain	NEW	1 pc.
2	695000	Mounting kit floor mounting DN 50	NEW	1 pc.
3	695002	Clamping ring including mounting kit	NEW	1 pc.
5	695005	Mounting kit drain top DN 50	NEW	1 pc.



Drainage Systems

TECEdrainprofile SHOWER CHANNELS

TECEdrainprofile





	Page
Shower channel sets	266
Shower channels	267
Drains	270
Accessories	273
Spare parts	275

TECEdrainprofile – Shower channel sets

TECEdrainprofile shower profile set

Shower profile set consisting of a brushed shower profile, a “flat” drain, three assembly feet and a standard sealing collar.

Length	Width	Colour	Item No.	DU 1
1000 mm	55 mm	Brushed stainless steel	641024	1 set



TECEdrainprofile shower profile set with black surface

Shower profile set consisting of a shower profile with black PVD surface, a “flat” drain, three assembly feet and a standard sealing collar.

Length	Width	Colour	Item No.	DU 1
1000 mm	55 mm	Brushed black	641025	1 set



TECEdrainprofile shower profile

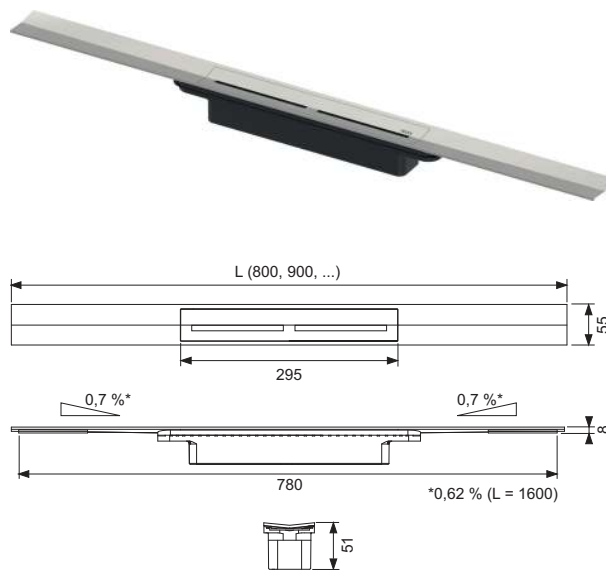
Shower profile for shower drainage, for installation in tile adhesive above the screed and seal.

Consisting of:

- Shower profile that can be cut to length, with internal gradient for improved water drainage and self-cleaning effect, material
- Shower profile can be shortened to ≥ 500 mm
- Profile cover with "push function" for removal by hand, loadable according to load class K3 - test load 300 kg
- Shower profile and profile cover made of stainless steel material 1.4301 (304)
- Connection pieces for connection to a TECEdrainprofile drain
- Grip elements for easy installation and solid connection with the tile adhesive
- For floor coverings from 8-25 mm (incl. adhesive bed)
- For flush to the wall installation for wall coverings from 10 mm (incl. adhesive bed)
- For installation at the wall (flush to the wall) or at any specific distance from the wall

Please order separately:

- TECEdrainprofile drain



Length	Width	Colour	Item No.	DU 1
800 mm	55 mm	Brushed stainless steel	670800	1 pc.
800 mm	55 mm	Polished stainless steel	670810	1 pc.
900 mm	55 mm	Brushed stainless steel	670900	1 pc.
900 mm	55 mm	Polished stainless steel	670910	1 pc.
1000 mm	55 mm	Brushed stainless steel	671000	1 pc.
1000 mm	55 mm	Polished stainless steel	671010	1 pc.
1200 mm	55 mm	Brushed stainless steel	671200	1 pc.
1200 mm	55 mm	Polished stainless steel	671210	1 pc.
1600 mm	55 mm	Brushed stainless steel	671600	1 pc.

TECEdrainprofile – Shower channels

TECEdrainprofile shower profile with black surface

Shower profile for shower drainage, for installation in tile adhesive above the screed and seal.

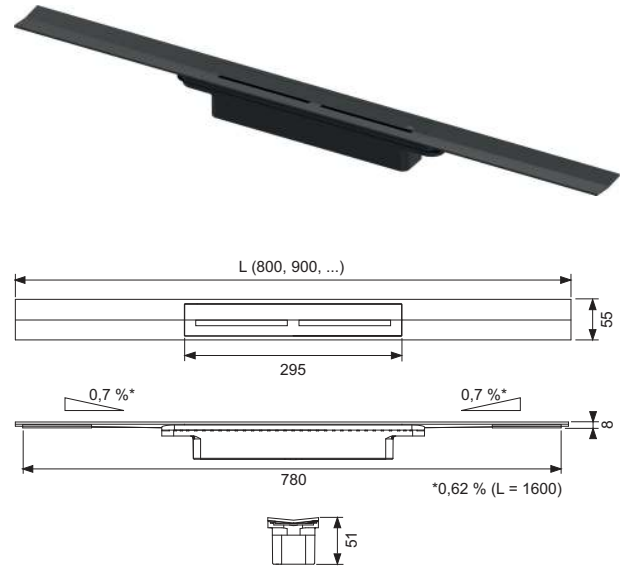
The finishes are colour matched to the TECESquare II metal toilet flush plates.

Consisting of:

- Shower profile that can be cut to length with internal gradient for improved water drainage and self-cleaning effect
- Shower profile can be shortened to ≥ 500 mm
- Profile cover with "Push Function" for removal by hand, durable to load class K3 - maximum test load 300 kg
- Shower profile and profile cover made of stainless steel, material 1.4301 (304) with coloured PVD coating
- Connection piece for connection with a TECEdrainprofile drain
- Grip elements for simple installation and solid connection with the tile adhesive
- For floors coverings from 8-25 mm (incl. adhesive bed)
- For flush to the wall installation for wall coverings from 10 mm (incl. adhesive bed)
- For installation at the wall (flush to the wall) or at any specific distance from the wall

Please order separately:

- TECEdrainprofile drain



Length	Width	Colour	Item No.	DU 1
800 mm	55 mm	Brushed black	670821	1 pc.
900 mm	55 mm	Brushed black	670921	1 pc.
1000 mm	55 mm	Brushed black	671021	1 pc.
1200 mm	55 mm	Brushed black	671221	1 pc.
1600 mm	55 mm	Brushed black	671621	1 pc.

TECEdrainprofile shower profile with coloured surface

Shower profile for shower drainage, for installation in tile adhesive above the screed and seal.

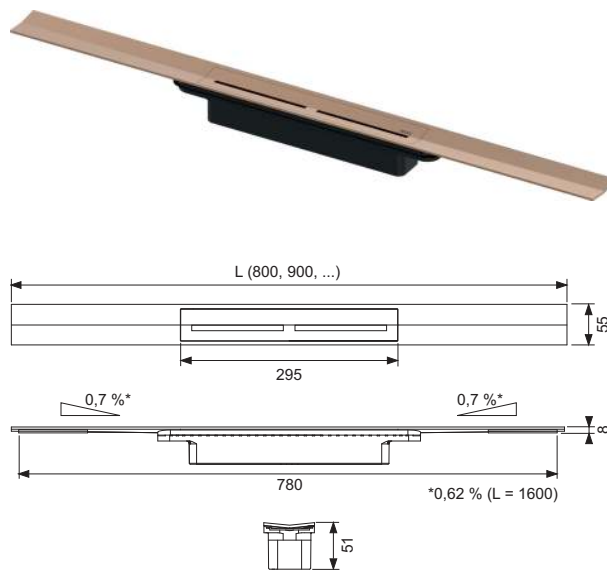
The finishes are colour matched to the TECESquare II metal toilet flush plates.

Consisting of:

- Shower profile that can be cut to length with internal incline for improved water drainage and self-cleaning effect
- Shower profile can be shortened to ≥ 500 mm
- Profile cover with "Push Function" for removal by hand, durable to load class K3 - maximum test load 300 kg
- Shower profile and profile cover, made of stainless steel material 1.4301 (304) with coloured PVD coating
- Connection pieces for connection with a TECEdrainprofile drain
- Grip elements for easy installation and solid connection with the tile adhesive
- For floors from 8-25 mm (incl. adhesive bed)
- For flush to the wall installation for wall coverings from 10 mm (incl. adhesive bed)
- For installation at the wall (flush to the wall) or at any specific distance from the wall

Please order separately:

- TECEdrainprofile drain



Length	Width	Colour	Item No.	DU 1
800 mm	55 mm	Brushed black chrome	670801	1 pc.
800 mm	55 mm	Brushed gold optic	670802	1 pc.
800 mm	55 mm	Polished gold optic	670812	1 pc.
800 mm	55 mm	Brushed red gold	670803	1 pc.
900 mm	55 mm	Brushed black chrome	670901	1 pc.
900 mm	55 mm	Brushed gold optic	670902	1 pc.
900 mm	55 mm	Polished gold optic	670912	1 pc.
900 mm	55 mm	Brushed red gold	670903	1 pc.
1000 mm	55 mm	Brushed black chrome	671001	1 pc.
1000 mm	55 mm	Brushed gold optic	671002	1 pc.
1000 mm	55 mm	Polished gold optic	671012	1 pc.
1000 mm	55 mm	Brushed red gold	671003	1 pc.
1200 mm	55 mm	Brushed black chrome	671201	1 pc.
1200 mm	55 mm	Brushed gold optic	671202	1 pc.
1200 mm	55 mm	Polished gold optic	671212	1 pc.
1200 mm	55 mm	Brushed red gold	671203	1 pc.

TECEdrainprofile – Drains

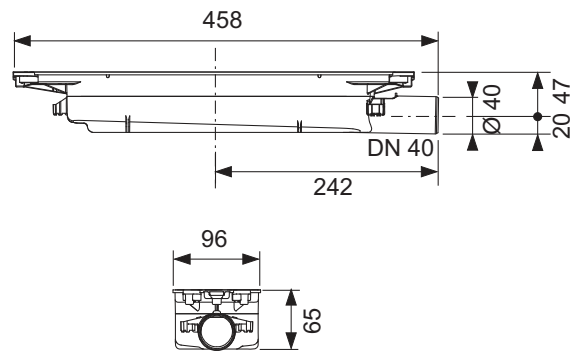
TECEdrainprofile drain "flat", DN 40 side drain*

Drain for TECEdrainprofile shower channel, for installing in screed, for connection to the side of a DN 40 drain pipe. Includes factory fitted click-in Seal System sealing collar. Fulfils the requirements of EN 1253-6 and DIN 18534.

- Min. installation height 65 mm (bottom edge of drain to upper edge of screed)
- Drainage capacity $\geq 0.40/\geq 0.52$ l/s (to EN 1253 with 10/20 mm build-up above the channel cover)
- Sealing water height 25 mm
- Removable odour trap
- Integrated screed anchorage
- Factory fitted, clickable and flexible sealing collar with Seal System
- Matching prefabricated sound insulation strip
- Protective construction cover
- Sliding/movable seal for connection to TECEdrainprofile shower channel and to compensate for structural tolerances

Please order separately:

- Wall and floor mounting brackets or assembly feet (optional)
- Drainbase sound insulation mat (optional)



Item No.	DU 1
673001	1 pc.



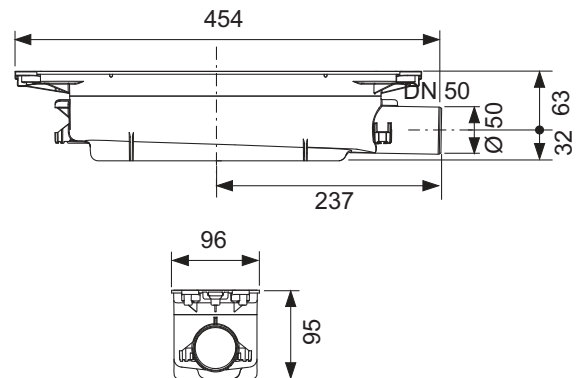
TECEdrainprofile drain "standard", DN 50 side drain*

Drain for TECEdrainprofile shower channel, for installing in screed, for connection to the side of a DN 50 drain pipe. Includes factory fitted click-in Seal System sealing collar. Fulfils the requirements of EN 1253-1 and DIN 18534.

- Min. installation height 95 mm (bottom edge of drain to upper edge of screed)
- Drainage capacity $\geq 0.72/\geq 0.82$ l/s (to EN 1253 with 10/20 mm build-up above the channel cover)
- Sealing water height 50 mm
- Removable odour trap
- Integrated screed anchorage
- Factory fitted, clickable and flexible sealing collar with Seal System
- Matching prefabricated sound insulation strip
- Protective construction cover
- Sliding/movable seal for connection to TECEdrainprofile shower channel and to compensate for structural tolerances

Please order separately:

- Wall and floor mounting brackets or assembly feet (optional)
- Drainbase sound insulation mat (optional)



Item No.	DU 1
673002	1 pc.



TECEdrainprofile – Drains

TECEdrainprofile drain “vertical”, DN 50 drain*

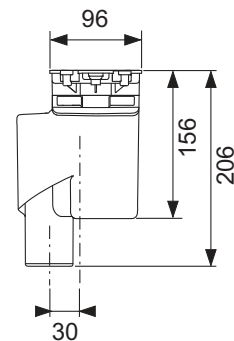
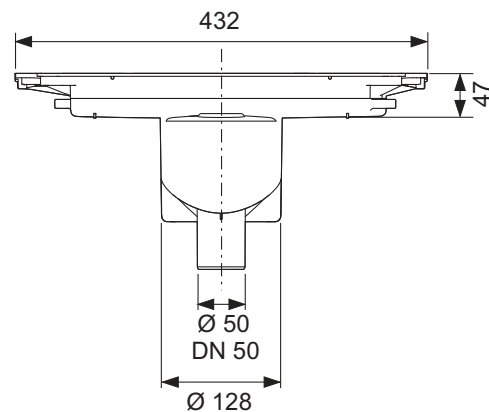
Drain for TECEdrainprofile shower channel, for installing in screed, for vertical connection to a DN 50 drain pipe. Includes factory fitted click-in Seal System sealing collar. Fulfils the requirements of EN 1253-1 and DIN 18534.

- Min. installation height 47 mm (bottom edge of drain to upper edge of screed)
- Drainage capacity $\geq 1.31/\geq 1.37$ l/s (to EN 1253 with 10/20 mm build-up above the channel cover)
- Sealing water height 50 mm
- Removable odour trap
- Integrated screed anchorage
- Factory fitted, clickable and flexible sealing collar with Seal System
- Matching prefabricated sound insulation strip
- Protective construction cover
- Sliding/movable seal for connection to TECEdrainprofile shower channel and to compensate for structural tolerances

Please order separately:

- Wall and floor mounting brackets or assembly feet (optional)
- Drainbase sound insulation mat (optional)
- Fire protection set FireStop EI 120 DN 50 (optional)

Item No.	DU 1
673003	1 pc.



TECEdrainprofile assembly feet

Assembly feet for TECEdrainprofile drains for easy height adjustment and position fixing during shell installation. Adjustment range on “standard” drain 95-194 mm, on “flat” drain 65-164 mm and for “vertical” drain 58-157 mm (lower edge of feet to the upper edge of drain or screed).

Consisting of:

- 3 assembly feet incl. sound insulation cap and attachment material



Item No.	DU 1	DU 2
674000	1 set	50 set

TECEdrainprofile wall and floor-mounting bracket

Assembly bracket for all TECEdrainprofile drains for wall- or floor assembly. For easy height adjustment and position fixing during shell installation.

- The mounting bracket can be disassembled and reused when used for wall mounting.
- Adjustable wall distances of 0 to 97/145 mm (top edge of wall to drain front/centre of drain)
- Height adjustment for floor-mounting 95-185 mm (lower edge of feet to the upper edge of drain or screed)



Item No.	DU 1	DU 2
674001	1 pc.	18 pc.

TECEdrainprofile hair trap

Hair trap made of stainless steel for inserting into the TECEdrainprofile shower profile. With "push function" for easy removal by hand.

One set (consisting of two hair traps) is required for one shower profile.



Item No.	DU 1	DU 2
674002	1 set	10 set

TECEdrainprofile mechanical odour trap

Mechanical odour trap for TECEdrainprofile drains as odour and vermin barrier. Suitable for all TECEdrainprofile drains and can be retrofitted. A set (consisting of two mechanical odour traps) is required for a shower profile.

Drainage capacity according to EN 1253 at 10/20 mm accumulation above profile cover:

- Drain “flat” DN 40: $\geq 0.45/\geq 0.57$ l/s
- Drain "standard" DN 50: $\geq 0.7/\geq 0.8$ l/s
- Drain "vertical" DN 50: $\geq 0.7/\geq 1.3$ l/s



Item No.	DU 1	DU 2
674006	1 set	40 set

TECEdrainprofile – Accessories

TECEdrainline/TECEdrainprofile fire protection set FireStop EI 120 DN 50

Fire protection set for direct vertical installation on the TECEdrainline/TECEdrainprofile DN 50 drain, for highly fire resistant partitioning of ceiling bushings in solid ceilings up to 120 min., classification in accordance with EN 13501 for fire protection class EI 120-U/C and E 120-U/C, European technical approval (ETA-11/0437), a general type approval has been applied for.

Set consisting of:

- Fire protection sleeve, 2 cross-recessed screws, identification plate, 150 mm DN 50 PP-HT pipe according to EN 1451
- Required core drill hole: \varnothing 130 mm (\varnothing min = 129 mm, \varnothing max = 133 mm)
- Application area: Solid ceilings from 150-325 mm ceiling thickness
- Grouting or filling of the gap is not necessary



Item No.	DU 1	DU 2
660006	1 pc.	50 pc.

TECE sound insulation mat Drainbase

Sound insulation mat for assembly under floating screed in the area of floor-level showers or throughout the bathroom. To reduce plumbing noise and provide impact noise insulation for renovations and new buildings.

Made from recycled high-tensile rubber granules bound with PUR elastomer. Meets enhanced sound insulation requirements for installation noise level according to DIN 4109-5, issued 2020-08 and the highest sound insulation level SSt III according to VDI 4100, issued 2012-10 (sound test verification available on request).

- Form of delivery: 1.25 m x 1.25 m x 6 mm
- Fire class: B2 (DIN 4102)
- Thermal resistance: 0.05 (m²K)/W
- Compression at 15 t/m²: 0.6 mm
- Impact noise reduction: $\Delta L_w = 20$ dB(A) (for 50 mm screed)



Item No.	DU 1	DU 2
660001	1 pc.	16 pc.

TECE sound insulation mat Drainbase, roll

Sound insulation mat for assembly under floating screed in the area of floor-level showers or throughout the bathroom. To reduce plumbing noise and provide impact noise insulation for renovations and new buildings.

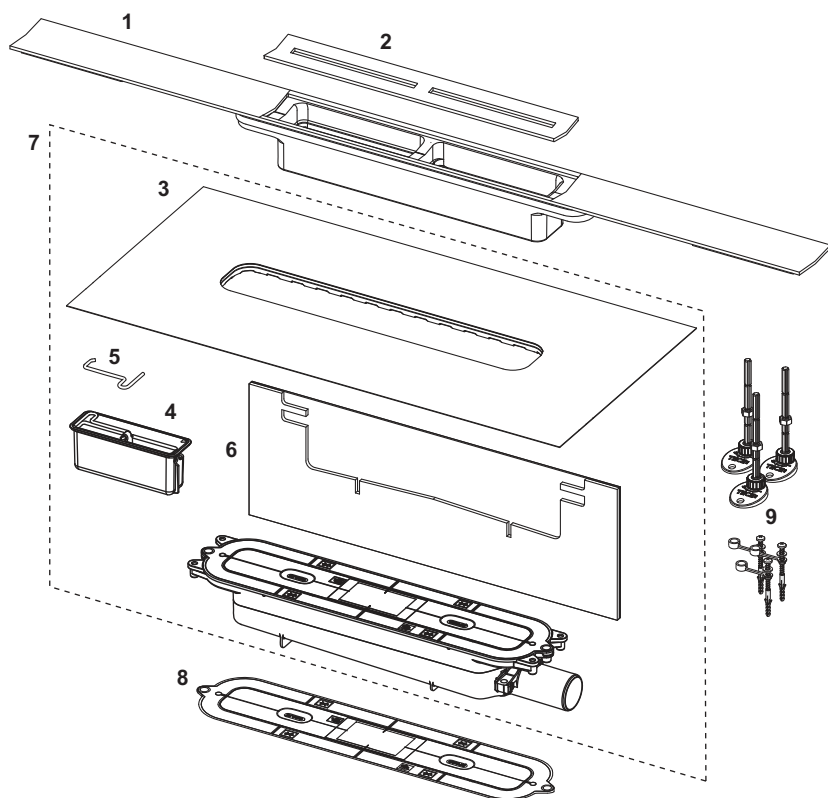
Made from recycled high-tensile rubber granules bound with PUR elastomer. Meets enhanced sound insulation requirements for installation noise level according to DIN 4109-5, issued 2020-08 and the highest sound insulation level SSt III according to VDI 4100, issued 2012-10 (sound test verification available on request).

- Form of delivery: 8.0 m x 1.25 m x 6 mm (roll, approx. 50 kg)
- Fire class: B2 (DIN 4102)
- Thermal resistance: 0.05 (m²K)/W
- Compression at 15 t/m²: 0.6 mm
- Impact noise reduction: $\Delta L_w = 20$ dB(A) (for 50 mm screed)



Item No.	DU 1
660002	8 m

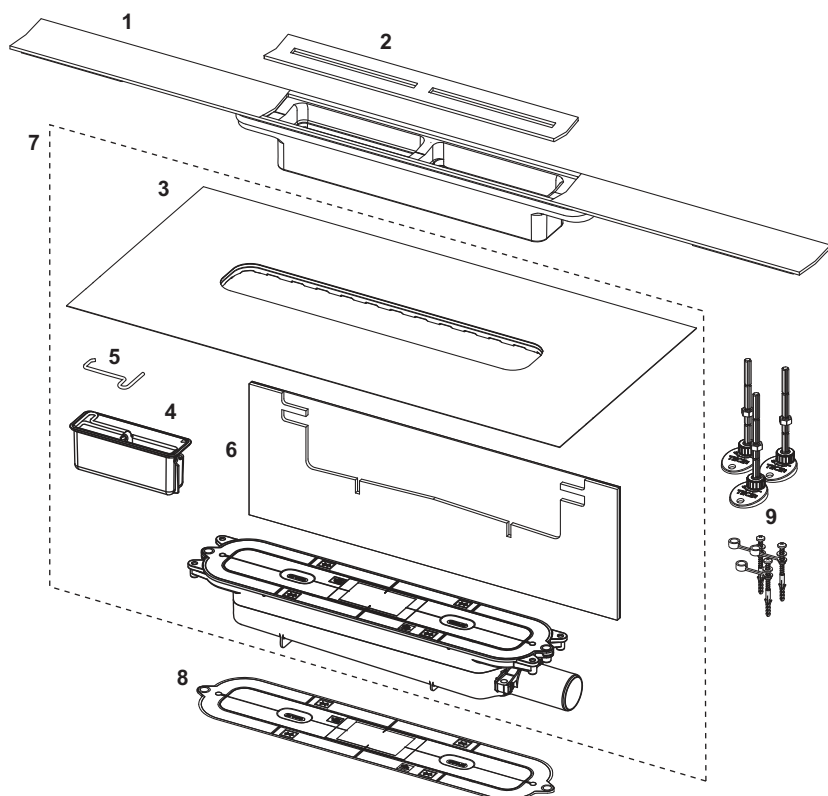
TECEdrainprofile shower profile set



Pos.	Item No.	Designation	DU 1
1	671000	Shower profile, 1000 mm, brushed stainless steel	1 pc.
2	675000	Profile cover, brushed stainless steel	1 pc.
3	675022	Clickable standard sealing collar	1 pc.
4	675006	Odour trap for "flat" drain	1 pc.
5	675009	Removal hook for odour trap	1 pc.
6	675004	Sound insulation strips for "standard", "flat" and "vertical" drain	1 pc.
7	673001	Drain "flat", DN 40	1 pc.
8	675016	Protective cover for drains, incl. fixing screws	1 pc.
9	674000	Assembly feet	1 set

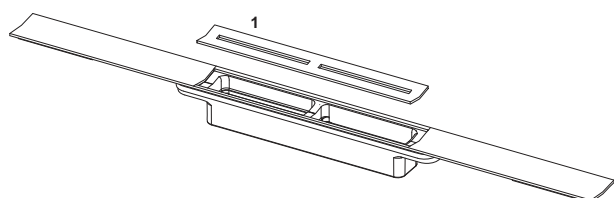
TECEdrainprofile – Spare parts

TECEdrainprofile shower profile set with black surface



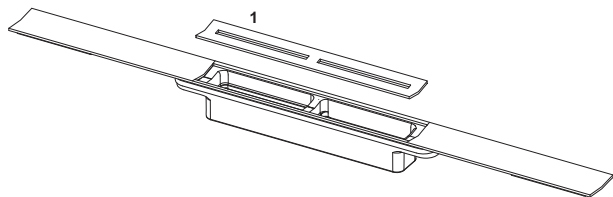
Pos.	Item No.	Designation	DU 1
1	671021	Shower profile, 1000 mm, brushed stainless steel, black	1 pc.
2	675024	Profile cover stainless steel, brushed black (for shower profiles from 07/2023)	1 pc.
3	675022	Clickable standard sealing collar	1 pc.
4	675006	Odour trap for "flat" drain	1 pc.
5	675009	Removal hook for odour trap	1 pc.
6	675004	Sound insulation strips for "standard", "flat" and "vertical" drain	1 pc.
7	673001	Drain "flat", DN 40	1 pc.
8	675016	Protective cover for drains, incl. fixing screws	1 pc.
9	674000	Assembly feet	1 set

TECEdrainprofile shower profile



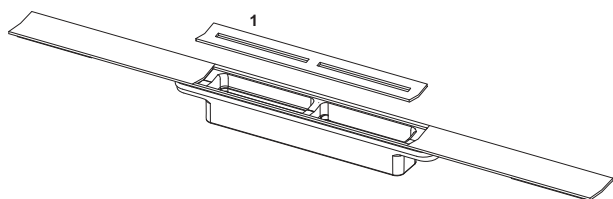
Pos.	Item No.	Designation	DU 1
1	675000	Profile cover, brushed stainless steel	1 pc.
	675001	Profile cover, polished stainless steel	1 pc.

TECEDrainprofile shower profile with black surface



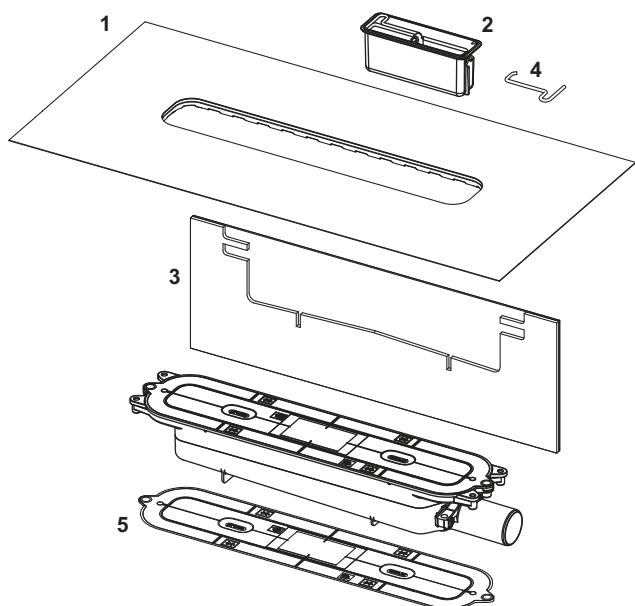
Pos.	Item No.	Designation	DU	1
1	675019	Profile cover stainless steel, brushed black (for shower profiles up to 06/2023)	1 pc.	
	675024	Profile cover stainless steel, brushed black (for shower profiles from 07/2023)	1 pc.	

TECEDrainprofile shower profile with coloured surface



Pos.	Item No.	Designation	DU	1
1	675010	Profile cover stainless steel, brushed black chrome (for shower profiles up to 06/2023)	1 pc.	
	675012	Profile cover stainless steel, brushed gold optic	1 pc.	
	675014	Profile cover stainless steel, brushed red gold	1 pc.	
	675011	Profile cover stainless steel, polished black chrome	1 pc.	
	675013	Profile cover stainless steel, polished gold optic	1 pc.	
	675015	Profile cover stainless steel, polished red gold	1 pc.	
	675025	Profile cover stainless steel, brushed black chrome (for shower profiles from 07/2023)	1 pc.	

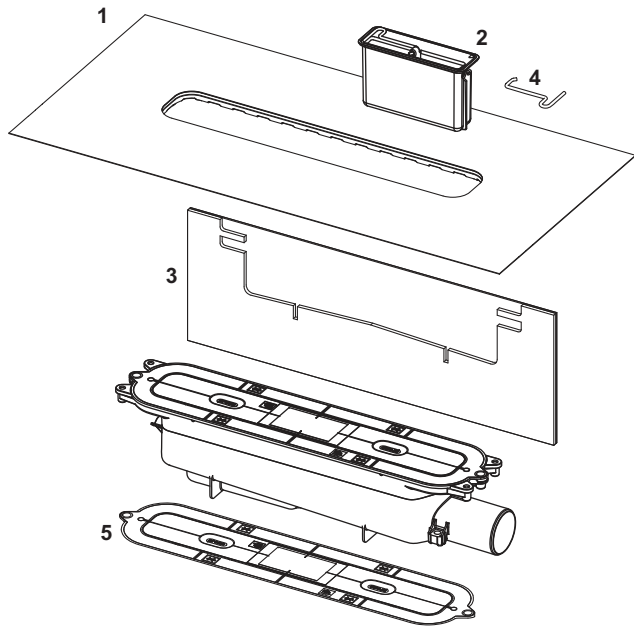
TECEDrainprofile drain "flat", DN 40 side drain



Pos.	Item No.	Designation	DU	1
1	675005	Click-together Seal System sealing sleeve	1 pc.	
2	675006	Odour trap for "flat" drain	1 pc.	
3	675004	Sound insulation strips for "standard", "flat" and "vertical" drain	1 pc.	
4	675009	Removal hook for odour trap	1 pc.	
5	675016	Protective cover for drains, incl. fixing screws	1 pc.	

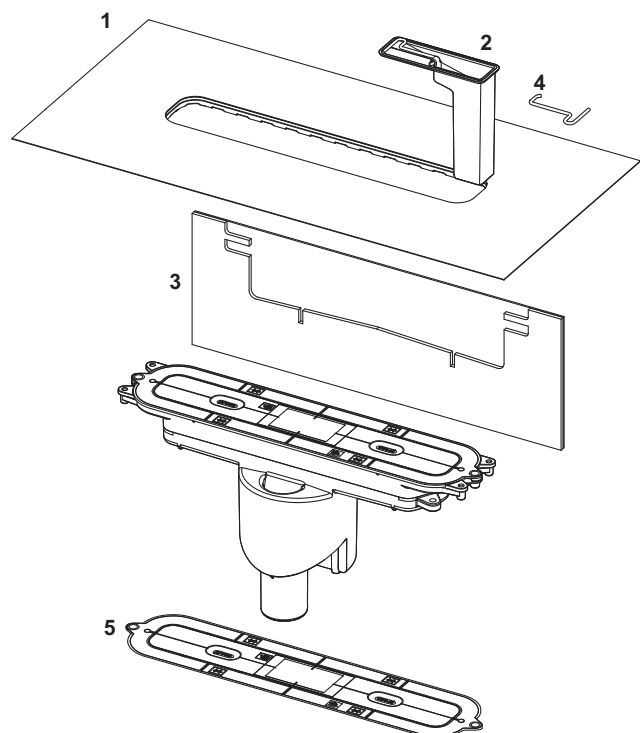
TECEdrainprofile – Spare parts

TECEdrainprofile drain "standard", DN 50 side drain



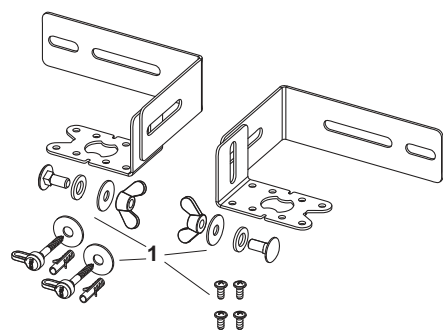
Pos.	Item No.	Designation	DU 1
1	675005	Click-together Seal System sealing sleeve	1 pc.
2	675008	Odour trap for drain "standard"	1 pc.
3	675004	Sound insulation strips for "standard", "flat" and "vertical" drain	1 pc.
4	675009	Removal hook for odour trap	1 pc.
5	675016	Protective cover for drains, incl. fixing screws	1 pc.

TECEdrainprofile drain “vertical”, DN 50 drain



Pos.	Item No.	Designation	DU 1
1	675005	Click-together Seal System sealing sleeve	1 pc.
2	675018	Odour trap for “vertical” drain	1 pc.
3	675004	Sound insulation strips for "standard", "flat" and "vertical" drain	1 pc.
4	675009	Removal hook for odour trap	1 pc.
5	675016	Protective cover for drains, incl. fixing screws	1 pc.

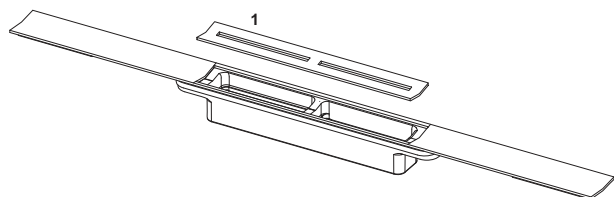
674001 – TECEdrainprofile wall and floor-mounting bracket



Pos.	Item No.	Designation	DU 1
1	675017	Spare part set (screws) for wall and floor mounting brackets for drains	1 pc.

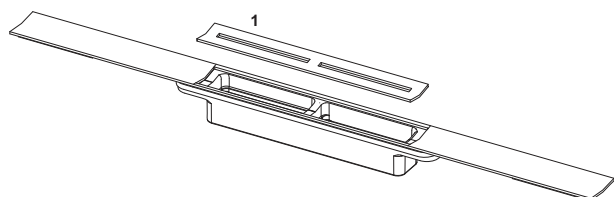
TECEdrainprofile – Spare parts

671000 – TECEdrainprofile shower profile



Pos.	Item No.	Designation	DU 1
1	675000	Profile cover, brushed stainless steel	1 pc.

671021 – TECEdrainprofile shower profile with black surface



Pos.	Item No.	Designation	DU 1
1	675019	Profile cover stainless steel, brushed black (for shower profiles up to 06/2023)	1 pc.
	675024	Profile cover stainless steel, brushed black (for shower profiles from 07/2023)	1 pc.

Drainage Systems

TECEdrainline SHOWER CHANNELS





	Page
Shower channels	284
Design covers, tileable channels	290
Shower channel sets	294
Channel for liquid floors	295
Channel for natural stone	296
Drains	297
Accessories	299
Evo accessories	302
Spare parts	303

An overview of valid Declaration of Performance (DoP) is available on our website www.tece.com.

TECEdrainline – Shower channels

TECEdrainline-Evo shower channel*

Straight stainless steel channel body including factory fitted Seal System sealing sleeve with protective construction cover for installation in the screed, for creating a DIN 18534 compliant connection of the TECEdrainline shower channel to the composite seal.

Consisting of:

- Continuously closed channel body made of polished stainless steel, material 1.4301 (304)
- Anti-capillary edge to avoid water penetrating under the tiles via capillary action
- Anti-backflow secondary drainage via glass fibre enhanced plastic hard shell
- Factory-fitted Seal System sealing sleeve for installation by the customer in the liquid or strip composite seal
- Protective cover with seal of originality for stainless steel channel and Seal System sealing collar
- Recess for mounting of optional assembly feet and for anchoring in the screed
- Levelling points (left and right) for clipping and forming a wider screed drip edge for easier levelling
- Central channel support to connect the drain
- Internal gradient for improved water drainage and self-cleaning effect
- Immersion pipe seal
- Optional secondary drainage

Length in unfinished state incl. flange = 693, 793, ... mm

Visible length after installation = 651, 751, ... mm

Width in unfinished state incl. flange = 111 mm

Visible width

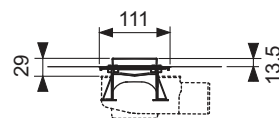
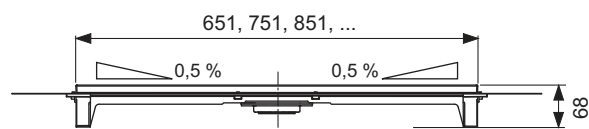
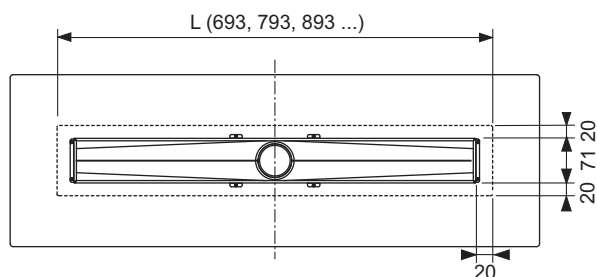
after installation = 71 mm

Installation height to upper edge of finished floor level (depending on drain):

- 68 mm drain "vertical"
- 70 mm drain "extra-flat"
- 96 mm drain "flat"
- 121 mm drain "standard"
- 149 mm drain "max"

Please order separately:

- Design cover/design grate or tileable channel
- Drain
- Assembly feet (optional)
- Drainbase sound insulation mat (optional), for adhering to the installation sound level as per DIN 4109 and the VDI 4100 sound protection level (SSt) I to III



Nominal length	Total length L	Visible dim. after installation	Item No.	DU 1	DU 2
700 mm	693 mm	651 mm	600702	1 pc.	49 pc.
800 mm	793 mm	751 mm	600802	1 pc.	49 pc.
900 mm	893 mm	851 mm	600902	1 pc.	49 pc.
1000 mm	993 mm	951 mm	601002	1 pc.	49 pc.
1200 mm	1193 mm	1151 mm	601202	1 pc.	49 pc.

TECEdrainline-Evo shower channel with wall tile support*

Straight stainless steel channel body including factory fitted Seal System sealing sleeve with protective construction cover for installation on the wall in the screed, for creating a DIN 18534 compliant connection of the TECEdrainline shower channel to the composite seal.

Consisting of:

- Continuously closed channel body made of polished stainless steel, material 1.4301 (304) with wall tile support
- Anti-capillary edge to avoid water penetrating under the tiles via capillary action
- Anti-backflow secondary drainage via glass fibre enhanced plastic hard shell
- Factory-fitted Seal System sealing sleeve for installation by the customer in the liquid or strip composite seal
- Protective cover with seal of originality for stainless steel channel and Seal System sealing collar
- Recess for mounting of optional assembly feet and for anchoring in the screed
- Levelling points (left and right) for clipping and forming a wider screed drip edge for easier levelling
- Central channel support to connect the drain
- Internal gradient for improved water drainage and self-cleaning effect
- Sound insulation strips
- Immersion pipe seal
- Optional secondary drainage

Length in unfinished state incl. flange = 693, 793, ... mm

Visible length after installation = 651, 751, ... mm

Width in unfinished state incl. flange = 111 mm

Visible width

after installation = 84.5 mm

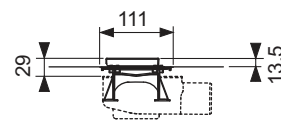
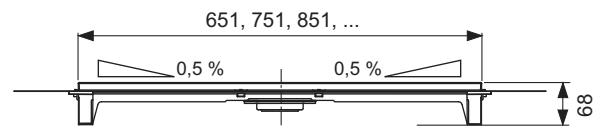
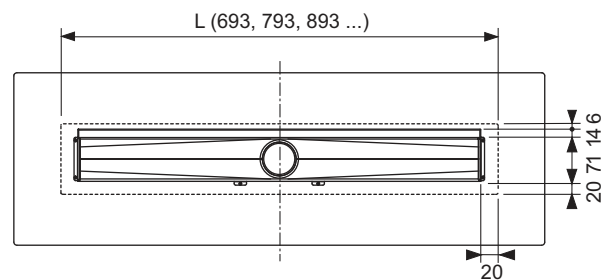
Installation height to upper edge of finished floor (depending on drain):

- 68 mm drain "vertical"
- 70 mm drain "extra-flat"
- 96 mm drain "flat"
- 121 mm drain "standard"

Caution: Not compatible with the drain "max".

Please order separately:

- Design cover/design grate or tileable channel
- Drain
- Assembly feet (optional)
- Drainbase sound insulation mat (optional), for adherence to installation noise level according to DIN 4109 and VDI 4100 sound protection level (SSt) I to III



Nominal length	Total length L	Visible dim. after installation	Item No.	DU 1	DU 2
700 mm	693 mm	651 mm	600703	1 pc.	49 pc.
800 mm	793 mm	751 mm	600803	1 pc.	49 pc.
900 mm	893 mm	851 mm	600903	1 pc.	49 pc.
1000 mm	993 mm	951 mm	601003	1 pc.	49 pc.
1200 mm	1193 mm	1151 mm	601203	1 pc.	49 pc.

TECEdrainline – Shower channels

TECEdrainline-Evo shower channel, colour-coated*

Coloured stainless steel channel body, including factory-fitted Seal System sealing collar with construction time protection for installation in the screed, for a DIN 18534-compliant connection of the TECEdrainline shower channel to the composite seal.

Consisting of:

- Continuous closed channel body made of polished, coated stainless steel, material 1.4301 (304)
- Capillary protection edge to prevent capillary shower water entering under the tiles
- Backwater-proof secondary drainage via the glass-fibre reinforced plastic hard shell
- Seal System sealing collar attached at the factory for on-site incorporation into the liquid or sheet composite seal
- Construction time protection with tamper-evident seal for coated stainless steel channel and Seal System sealing collar
- Holder for mounting optional assembly feet and for anchoring in the screed
- Levelling points (left and right) for clipping and for forming a wider screed take-off edge for simplified levelling
- Central gutter socket for connecting the drain
- Internal slope to improve water drainage and self-cleaning effect
- Immersion pipe seal
- Optional secondary drainage

Length in unfinished state incl. flange = 693, 793, ... mm

Visible length after installation = 651, 751, ... mm

Width in unfinished state incl. flange = 111 mm

Visible width

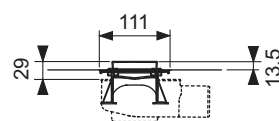
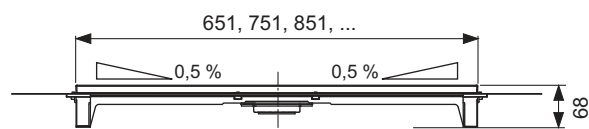
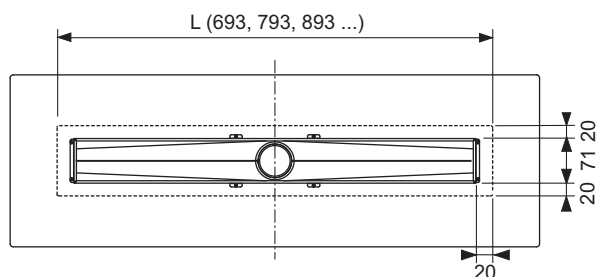
after installation = 71 mm

Installation height up to upper edge of finished floor (depending on drain):

- 68 mm drain "vertical"
- 70 mm drain "extra-flat"
- 96 mm drain "flat"
- 121 mm drain "standard"
- 149 mm drain "max"

Please order separately:

- Coloured design cover
- Drain
- Assembly feet (optional)
- Drainbase sound insulation mat (optional), for adherence to installation noise level according to DIN 4109 and VDI 4100 sound insulation levels (SS) I to III



Nominal length	Total length L	Visible dim. after installation	Colour	Item No.	DU 1	DU 2
700 mm	693 mm	651 mm	Matt black	600707	1 pc.	49 pc.
800 mm	793 mm	751 mm	Matt black	600807	1 pc.	49 pc.
900 mm	893 mm	851 mm	Matt black	600907	1 pc.	49 pc.
1000 mm	993 mm	951 mm	Matt black	601007	1 pc.	49 pc.
1200 mm	1193 mm	1151 mm	Matt black	601207	1 pc.	49 pc.
700 mm	693 mm	651 mm	Matt white	600708	1 pc.	49 pc.
800 mm	793 mm	751 mm	Matt white	600808	1 pc.	49 pc.
900 mm	893 mm	851 mm	Matt white	600908	1 pc.	49 pc.
1000 mm	993 mm	951 mm	Matt white	601008	1 pc.	49 pc.
1200 mm	1193 mm	1151 mm	Matt white	601208	1 pc.	49 pc.

TECEdrainline shower channel with Seal System sealing tape*

Straight channel body for installation in the screed, with flange and Seal System sealing tape, for creating an independently tested connection of the TECEdrainline shower channel to the composite seal.

Consisting of:

- Channel body with flange made of polished stainless steel, material 1.4301 (304)
- Seal System sealing tape with matting for installation by the customer in the liquid or strip composite seal
- Connecting clips for anchoring in the screed and fitting of optional assembly feet
- Central connection pieces for drain
- Internal incline for improved water drainage and self-cleaning effect
- Seal

Length in unfinished state incl. flange = 711, 811, ... mm

Visible length after installation = 651, 751, ... mm

Width in unfinished state incl. flange = 150 mm

Visible width

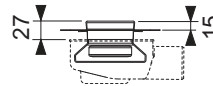
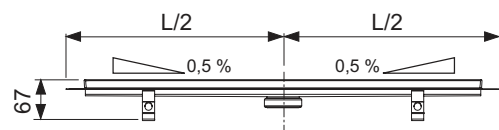
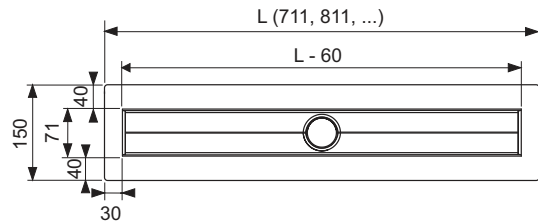
after installation = 71 mm

Installation height to upper edge of finished floor level (depending on drain):

- 67 mm drain "vertical"
- 68.5 mm drain "extra-flat"
- 95 mm drain "flat"
- 120 mm drain "standard"
- 148 mm drain "max"

Please order separately:

- Design cover/design grate or tileable channel
- Drain
- Assembly feet (optional)
- Drainbase sound insulation mat (optional), for adhering to the installation sound level as per DIN 4109 and the VDI 4100 sound protection levels (SSt) I to III



Nominal length	Total length L	Visible dim. after installation	Item No.	DU 1	DU 2
700 mm	711 mm	651 mm	600700	1 pc.	40 pc.
800 mm	811 mm	751 mm	600800	1 pc.	40 pc.
900 mm	911 mm	851 mm	600900	1 pc.	40 pc.
1000 mm	1011 mm	951 mm	601000	1 pc.	40 pc.
1200 mm	1211 mm	1151 mm	601200	1 pc.	40 pc.
1500 mm	1511 mm	1451 mm	601500	1 pc.	40 pc.

Custom lengths, exclusive designs

We will be happy to produce custom lengths or a grate design to suit your own specifications. You will find the corresponding order form as a download on our website and in our product database. We will advise you of the costs when you submit your enquiry. The delivery time is about four to six weeks after approval and clarification of all details. Custom lengths and custom finishes cannot be cancelled after approval is given, and cannot be returned.

Maximum length to order 1500 mm.

TECEdrainline – Shower channels

TECEdrainline shower channel with wall upstand and Seal System sealing tape*

Straight channel body with wall upstand for installation in the screed against the wall, with flange and Seal System sealing tape, for creating an independently tested connection of the TECEdrainline shower channel to the composite seal.

Consisting of:

- Channel body with flange made of polished stainless steel, material 1.4301 (304)
- Seal System sealing tape with matting for installation by the customer in the liquid or strip composite seal
- Connecting clips for anchoring in the screed and fitting of optional assembly feet
- Central connection piece for drain
- Internal incline for improved water drainage and self-cleaning effect
- Seal

Length in unfinished state incl. flange = 711, 811, ... mm

Visible length after installation = 651, 751, ... mm

Width in unfinished state incl. flange = 124 mm

Visible width

after installation = 69 mm

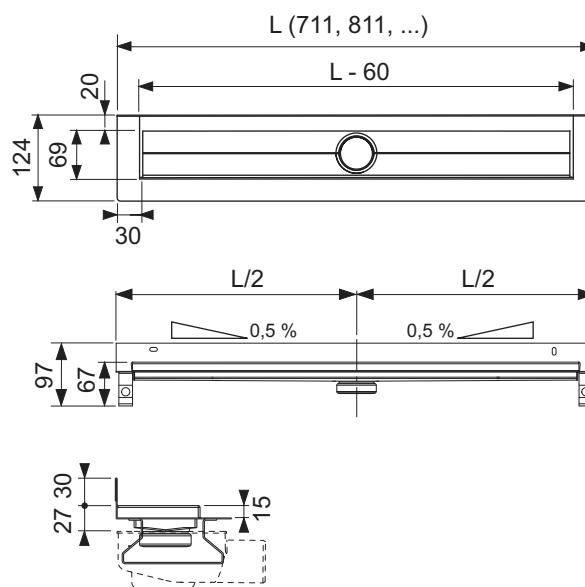
Installation height to upper edge of finished floor (depending on drain):

- 67 mm drain "vertical"
- 68.5 mm drain "extra-flat"
- 95 mm drain "flat"
- 120 mm drain "standard"

Caution: Not compatible with the "max" drain!

Please order separately:

- Design cover/design grate or tileable channel
- Drain
- Assembly feet (optional)
- Drainbase sound insulation mat (optional), for adherence to installation noise level according to DIN 4109 and VDI 4100 sound protection levels (SSt) I to III



Nominal length	Total length L	Visible dim. after installation	Item No.	DU 1	DU 2
700 mm	711 mm	651 mm	600701	1 pc.	32 pc.
800 mm	811 mm	751 mm	600801	1 pc.	32 pc.
900 mm	911 mm	851 mm	600901	1 pc.	32 pc.
1000 mm	1011 mm	951 mm	601001	1 pc.	32 pc.
1200 mm	1211 mm	1151 mm	601201	1 pc.	32 pc.
1500 mm	1511 mm	1451 mm	601501	1 pc.	32 pc.

Custom lengths, exclusive designs

We will be happy to produce custom lengths or a grate design to suit your own specifications. You will find the corresponding order form as a download on our website and in our product database. We will advise you of the costs when you submit your enquiry. The delivery time is about four to six weeks after approval and clarification of all details. Custom lengths and custom finishes cannot be cancelled after approval is given, and cannot be returned.

Maximum length to order 1500 mm.

TECEdrainline shower channel, colour coated, with Seal System sealing tape*

Coloured channel body for installation in screed, with flange and Seal System sealing tape, for creating an independently tested connection of the TECEdrainline shower channel to the composite seal.

Consisting of:

- Channel body with flange made of polished, coated stainless steel, material 1.4301 (304)
- Seal System sealing tape with fleece lamination for on-site installation in the liquid or strip composite seal
- Connecting clips for anchoring in the screed and fitting of optional assembly feet
- Central connection pieces for drains
- Internal incline for improved water drainage and self-cleaning effect
- Seals

Length in unfinished state incl. flange = 711, 811, ... mm

Visible length after installation = 651, 751, ... mm

Width in unfinished state incl. flange = 150 mm

Visible width

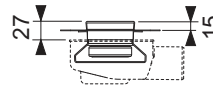
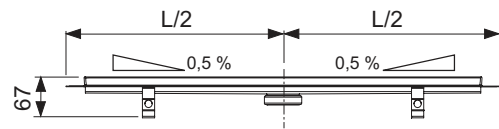
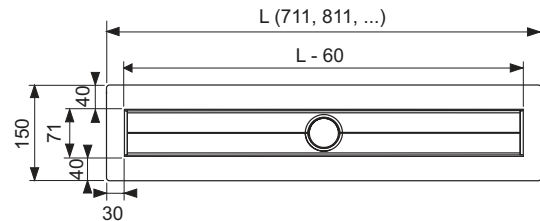
after installation = 71 mm

Installation height up to upper edge of finished floor (depending on drain):

- 67 mm drain "vertical"
- 68.5 mm drain "extra-flat"
- 95 mm drain "flat"
- 120 mm drain "standard"
- 148 mm drain "max"

Please order separately:

- Coloured design cover
- Drain
- Assembly feet (optional)
- Drainbase sound insulation mat (optional), for adherence to installation noise level according to DIN 4109 and VDI 4100 sound insulation levels (SSt) I to III



Nominal length	Total length L	Visible dim. after installation	Colour	Item No.	DU 1	DU 2
700 mm	711 mm	651 mm	Matt black	600705	1 pc.	40 pc.
800 mm	811 mm	751 mm	Matt black	600805	1 pc.	40 pc.
900 mm	911 mm	851 mm	Matt black	600905	1 pc.	40 pc.
1000 mm	1011 mm	951 mm	Matt black	601005	1 pc.	40 pc.
1200 mm	1211 mm	1151 mm	Matt black	601205	1 pc.	40 pc.
1500 mm	1511 mm	1451 mm	Matt black	601505	1 pc.	40 pc.
700 mm	711 mm	651 mm	Matt white	600706	1 pc.	40 pc.
800 mm	811 mm	751 mm	Matt white	600806	1 pc.	40 pc.
900 mm	911 mm	851 mm	Matt white	600906	1 pc.	40 pc.
1000 mm	1011 mm	951 mm	Matt white	601006	1 pc.	40 pc.
1200 mm	1211 mm	1151 mm	Matt white	601206	1 pc.	40 pc.
1500 mm	1511 mm	1451 mm	Matt white	601506	1 pc.	40 pc.

* Information on Seal System can be found online at www.sealsystem.net.

TECEdrainline – Design covers, tileable channels

TECEdrainline tileable channel "plate II" stainless steel for shower channel

Tileable channel for TECEdrainline shower channel, for fitting into the channel body, made of stainless steel. Maximum test load 300 kg based on load class K3. Tiles can be attached by the customer using elastic adhesive, e.g. silicon or epoxy resin adhesive.

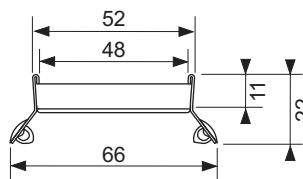
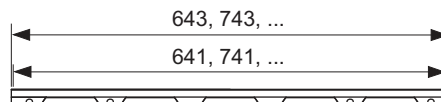
Caution:

Check the adhesive to ensure tile compatibility!

Nominal length	Surface	Item No.	DU 1
700 mm	Polished	600772	1 pc.
800 mm	Polished	600872	1 pc.
900 mm	Polished	600972	1 pc.
1000 mm	Polished	601072	1 pc.
1200 mm	Polished	601272	1 pc.
1500 mm	Polished	601572	1 pc.



Design "plate II"



TECEdrainline tileable channel "plate" stainless steel for shower channel

Tileable channel for TECEdrainline shower channel, for fitting into the channel body, made of stainless steel, with polished visible edges. Maximum test load 300 kg based on load class K3. Tiles can be attached by the customer using elastic adhesive, e.g. silicon or epoxy resin adhesive.

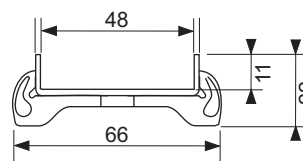
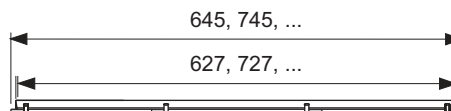
Caution:

Check the adhesive to ensure tile compatibility!

Nominal length	Surface	Item No.	DU 1
700 mm	Polished	600770	1 pc.
800 mm	Polished	600870	1 pc.
900 mm	Polished	600970	1 pc.
1000 mm	Polished	601070	1 pc.
1200 mm	Polished	601270	1 pc.
1500 mm	Polished	601570	1 pc.



Design "plate"



TECEdrainline glass cover for shower channel, satin finish

Design cover for TECEdrainline shower channel, made of stainless steel with a satined glass surface, for fitting into the channel body. Maximum test load 300 kg based on load class K3.

The finishes are colour matched to the TECESquare II glas toilet flush plates.

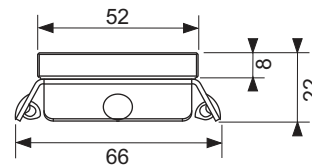
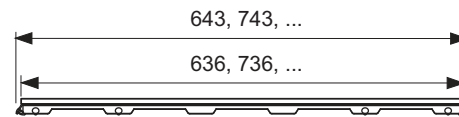
Note:

Production of custom lengths not possible

Nominal length	Surface	Item No.	DU 1
700 mm	Satined white glass	600793	1 pc.
700 mm	Satined black glass	600794	1 pc.
800 mm	Satined white glass	600893	1 pc.
800 mm	Satined black glass	600894	1 pc.
900 mm	Satined white glass	600993	1 pc.
900 mm	Satined black glass	600994	1 pc.
1000 mm	Satined white glass	601093	1 pc.
1000 mm	Satined black glass	601094	1 pc.
1200 mm	Satined white glass	601293	1 pc.
1200 mm	Satined black glass	601294	1 pc.
1500 mm	Satined white glass	601593	1 pc.
1500 mm	Satined black glass	601594	1 pc.



Design "glass"



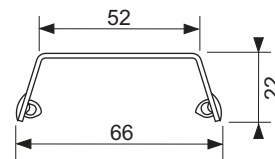
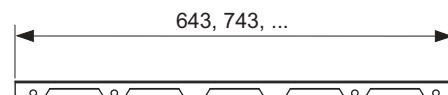
TECEdrainline design cover "steel II" stainless steel for shower channel

Design cover for TECEdrainline shower channel, made of stainless steel, for fitting into the channel body, load capacity based on load class K3 – test load 300 kg.

Nominal length	Surface	Item No.	DU 1
700 mm	Polished	600782	1 pc.
700 mm	Brushed	600783	1 pc.
800 mm	Polished	600882	1 pc.
800 mm	Brushed	600883	1 pc.
900 mm	Polished	600982	1 pc.
900 mm	Brushed	600983	1 pc.
1000 mm	Polished	601082	1 pc.
1000 mm	Brushed	601083	1 pc.
1200 mm	Polished	601282	1 pc.
1200 mm	Brushed	601283	1 pc.
1500 mm	Polished	601582	1 pc.
1500 mm	Brushed	601583	1 pc.



Design "steel II"



TECEdrainline – Design covers, tileable channels

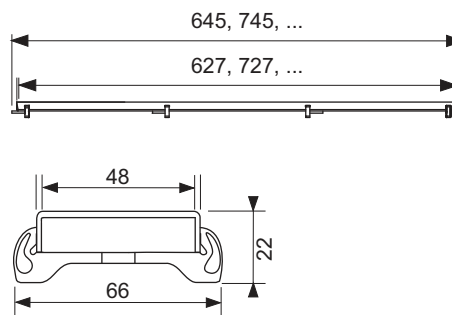
TECEdrainline design cover "steel" stainless steel colour-coated for shower channel

Design cover for TECEdrainline shower channel, made of stainless steel with coloured coating, for fitting into the channel body. Maximum test load 300 kg based on load class K3.

Nominal length	Colour	Item No.	DU 1
700 mm	Matt black	600785	1 pc.
700 mm	Matt white	600786	1 pc.
800 mm	Matt black	600885	1 pc.
800 mm	Matt white	600886	1 pc.
900 mm	Matt black	600985	1 pc.
900 mm	Matt white	600986	1 pc.
1000 mm	Matt black	601085	1 pc.
1000 mm	Matt white	601086	1 pc.
1200 mm	Matt black	601285	1 pc.
1200 mm	Matt white	601286	1 pc.
1500 mm	Matt black	601585	1 pc.
1500 mm	Matt white	601586	1 pc.



Design "steel"



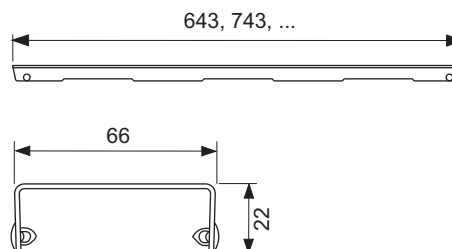
TECEdrainline design grate "basic" stainless steel for shower channel

Design grate for TECEdrainline shower channel, made of stainless steel, for fitting into the channel body, load capacity based on load class K3 – test load 300 kg.

Nominal length	Surface	Item No.	DU 1
700 mm	Polished	600710	1 pc.
700 mm	Brushed	600711	1 pc.
800 mm	Polished	600810	1 pc.
800 mm	Brushed	600811	1 pc.
900 mm	Polished	600910	1 pc.
900 mm	Brushed	600911	1 pc.
1000 mm	Polished	601010	1 pc.
1000 mm	Brushed	601011	1 pc.
1200 mm	Polished	601210	1 pc.
1200 mm	Brushed	601211	1 pc.
1500 mm	Polished	601510	1 pc.
1500 mm	Brushed	601511	1 pc.



Design "basic"



TECEdrainline design grate "quadratum" stainless steel for shower channel

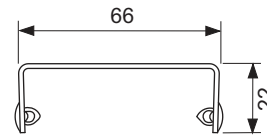
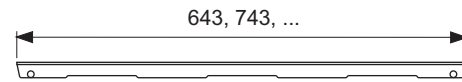
Design grate for TECEdrainline shower channel, made of stainless steel, for fitting into the channel body, load class K3 – test load 300 kg.

Maximum slip resistance for wet loaded barefoot areas, Class C to DIN 5 1097 (for brushed surface).

Nominal length	Surface	Item No.	DU 1
700 mm	Brushed	600751	1 pc.
800 mm	Brushed	600851	1 pc.
900 mm	Brushed	600951	1 pc.
1000 mm	Brushed	601051	1 pc.
1200 mm	Brushed	601251	1 pc.
1500 mm	Brushed	601551	1 pc.



Design "quadratum"



TECEdrainline – Shower channel sets

TECEdrainline shower channel set with cover "2 in 1"

Shower channel set with factory-fitted standard sealing collar consisting of a shower channel base body, a reversible cover "2 in 1" (brushed stainless steel-look or tileable), a "flat" drain and four assembly feet.

Nominal length	Item No.	DU 1
700 mm	640726	1 set
800 mm	640826	1 set
900 mm	640926	1 set



TECEdrainline shower channel for liquid floors with coatable channel insert as a set* **NEW**

Shower channel with factory-fitted Seal System sealing collar and channel cover, for installation in screed and for coating on site with liquid floor coverings (e.g. microcement, liquid plastic).

Consisting of:

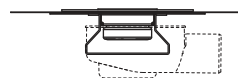
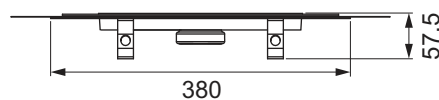
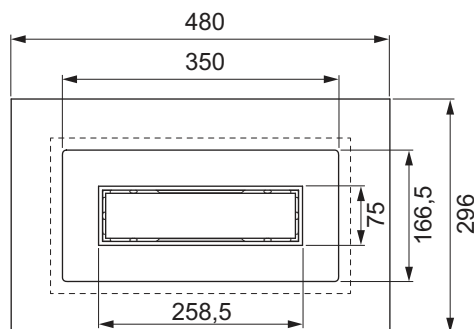
- Stainless steel channel body, material 1.4301 (304)
- Factory-fitted Seal System sealing collar for on-site incorporation into the liquid or sheet-form composite seal, meets the requirements of DIN 18534
- Stainless steel channel insert, material 1.4301 (304)
- Channel flange and channel insert with mineral casting surface for adhesive bonding with liquid floor coverings
- Connection bracket for anchoring in screed and for connecting optional mounting feet
- Channel body with internal slope to improve water drainage and self-cleaning effect, with central channel connection for connecting the drain
- Immersion pipe seal

Length in unfinished state incl. flange = 380 mm

Visible length after installation = 259 mm

Please order separately:

- Drain (not compatible with "extra-flat" drain, order no. 650004)
- Assembly feet (optional)
- Drainbase sound insulation mat (optional), for adherence to installation noise level according to DIN 4109 and VDI 4100 sound installation levels (SSt) I to III



Nominal length	Total length L	Visible dim. after installation	Item No.		DU 1
300 mm	380 mm	259 mm	640427**	NEW	1 set

TECEdrainline – Channel for natural stone

TECEdrainline shower channel for natural stone with Seal System sealing set and stainless steel support as a set*

Straight channel body and support sheet for TECEdrainline shower channel, for installation in the screed and laying by the customer of large tiles/natural stone slabs, with flange and Seal System sealing tape, for creating an independently tested connection of the TECEdrainline shower channel to the composite seal.

Consisting of:

- Channel body with flange made of polished stainless steel, material 1.4301 (304)
- Seal System sealing tape with matting for installation by the customer in the liquid or strip composite seal
- Connecting clips for anchoring in the screed and fitting of optional assembly feet
- Central connection piece for drain
- Internal incline for improved water drainage and self-cleaning effect
- Support sheet made of stainless steel – material 1.4301 (304) – for fitting in the channel body
- Seals

Minimal installation height (without covering) to upper edge of channel:

- 52 mm drain "vertical"
- 61.5 mm drain "extra-flat"
- 87 mm drain "flat"
- 112 mm drain "standard"
- 140 mm drain "max"

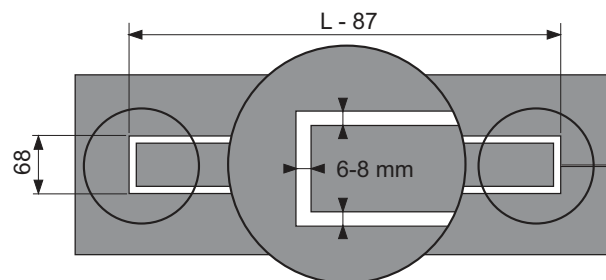
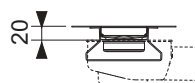
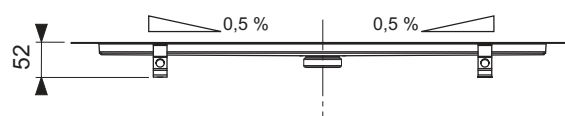
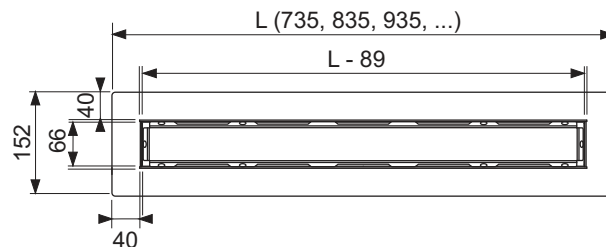
Covering cut-out length x width: (L - 87 mm) x 68 mm

Width of the continuous surrounding drain opening: 6-8 mm (see drawing on the right)

Please order separately:

- Drain
- Assembly feet (optional)
- Drainbase sound insulation mat (optional), for adherence to installation noise level according to DIN 4109 and VDI 4100 sound protection levels (SSt) I to III

Caution: Design cover "steel II" possible as custom-made cover; all other design covers (tileable channel, glass covers, design grates) are unsuitable!



Nominal length	Total length L	Support sheet length L - 89	Covering cut-out length L - 87	Item No.	DU 1	DU 2
700 mm	735 mm	646 mm	648 mm	650700	1 pc.	40 pc.
800 mm	835 mm	746 mm	748 mm	650800	1 pc.	40 pc.
900 mm	935 mm	846 mm	848 mm	650900	1 pc.	40 pc.
1000 mm	1035 mm	946 mm	948 mm	651000	1 pc.	40 pc.
1200 mm	1235 mm	1146 mm	1148 mm	651200	1 pc.	40 pc.
1500 mm	1535 mm	1446 mm	1448 mm	651500**	1 pc.	20 pc.

Custom lengths, exclusive designs

We will be happy to produce custom lengths or a grate design to suit your own specifications. You will find the corresponding order form as a download on our website and in our product database. We will advise you of the costs when you submit your enquiry. The delivery time is about four to six weeks after approval and clarification of all details. Custom lengths and custom finishes cannot be cancelled after approval is given, and cannot be returned. Maximum length to order 1500 mm.

TECEdrainline drain "extra-flat", DN 40 side drain

Extra-low drain for TECEdrainline shower channel to create rotatable fitting with the channel body and side connection to DN 40 drain pipe, with removable siphon immersion pipe. Fulfils the requirements of EN 1253-6.

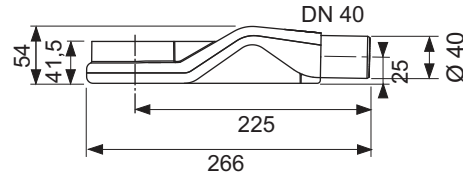
- Installation height from bottom edge of drain to upper edge of shower channel = 68.5 mm
- Reduced sealing water height = 30 mm

Drainage capacity according to EN 1253, for 10/20 mm build-up above grate:

- Design grate "basic": 0.5/0.6 l/s
- Design cover "steel II": 0.5/0.6 l/s
- Tileable channel "plate"/"plate II": 0.5/0.6 l/s

Caution:

Because of the low installation height, sufficient screed cover is not possible in the area of the drain. Therefore only use large tiles and reinforcement to prevent cracks. Not suitable for wheelchairs!



Item No.	DU 1	DU 2
650004	1 pc.	472 pc.

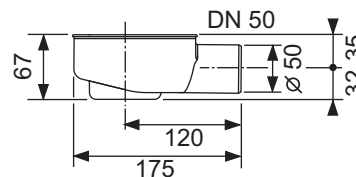
TECEdrainline drain "flat", DN 50 side drain

Drain for TECEdrainline shower channel to fit to the channel body, drain can be turned 360°, for lateral connection to DN 50 drain pipe, with removable siphon immersion pipe. Fulfils the requirements of EN 1253-6.

- Installation height from bottom edge of drain to upper edge of shower channel = 95 mm
- Reduced sealing water height = 25 mm

Drainage capacity according to EN 1253, for 10/20 mm build-up above grate:

- Design grate "basic": 0.8/0.8 l/s
- Design cover "steel II": 0.7/0.8 l/s
- Tileable channel "plate"/"plate II": 0.7/0.8 l/s



Item No.	DU 1	DU 2
650000	1 pc.	360 pc.

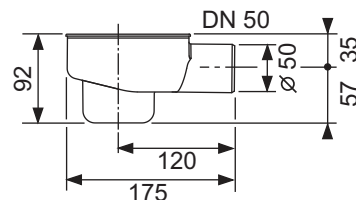
TECEdrainline drain "standard", DN 50 side drain

Drain for TECEdrainline shower channel to fit to the channel body, drain can be turned 360°, for lateral connection to DN 50 drain pipe, with removable siphon immersion pipe. Fulfils the requirements of EN 1253-1.

- Installation height from bottom edge of drain to upper edge of shower channel = 120 mm
- Sealing water height = 50 mm

Drainage capacity according to EN 1253, for 10/20 mm build-up above grate:

- Design grate "basic": 0.8/0.9 l/s
- Design cover "steel II": 0.7/0.8 l/s
- Tileable channel "plate"/"plate II": 0.7/0.8 l/s



Item No.	DU 1	DU 2
650001	1 pc.	288 pc.

TECEdrainline – Drains

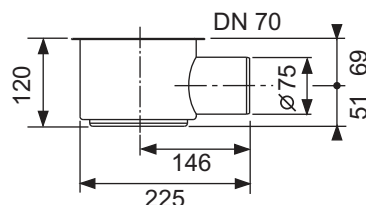
TECEdrainline drain "max", DN 70 side drain

Drain for TECEdrainline shower channel to fit to the channel body, drain can be turned 360°, for lateral connection to DN 70 drain pipe, with removable siphon immersion pipe. Fulfils the requirements of EN 1253-1.

- Installation height from bottom edge of drain to upper edge of shower channel = 148 mm
- Sealing water height = 60 mm

Drainage capacity according to EN 1253, for 10/20 mm build-up above grate:

- Design grate "basic": 1.2/1.4 l/s
- Design cover "steel II": 1.2/1.3 l/s
- Tileable channel "plate"/"plate II": 1.1/1.2 l/s



Item No.	DU 1	DU 2
650002	1 pc.	75 pc.

TECEdrainline drain "vertical", DN 50 vertical drain

Vertical drain for TECEdrainline shower channel to fit to the channel body, drain can be rotated 360°, for vertical connection to a DN 50 drain pipe, with removable siphon immersion pipe. Fulfils the requirements of EN 1253-1.

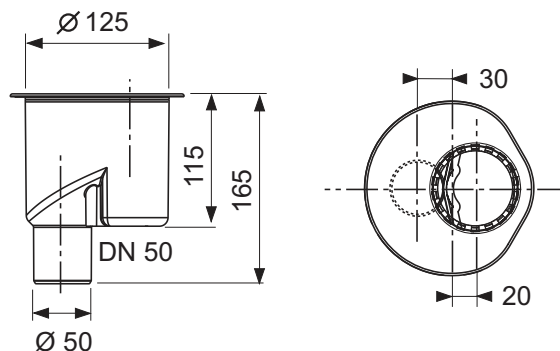
- Minimum installation height from bottom edge of connecting clip to upper edge of shower channel = 67 mm
- Sealing water height = 50 mm
- Coring required = 130 mm

Drainage capacity according to EN 1253, for 10/20 mm build-up above grate:

- Design grate "basic": 1.3/1.3 l/s
- Design cover "steel II": 1.3/1.3 l/s
- Tileable channel "plate"/"plate II": 1.2/1.2 l/s

Please order separately:

- FireStop EI 120 DN 50 fire protection set (optional)



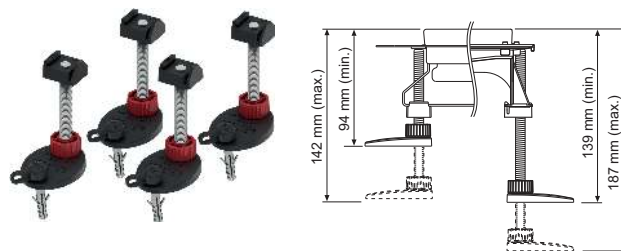
Item No.	DU 1	DU 2
650003	1 pc.	175 pc.

TECEDrainline assembly feet

Assembly feet to make it easy to adjust the height of the channel body and fix the position during shell assembly.

Consisting of:

- 4 x assembly feet incl. sound-proofing cap and mounting material



Version	Item No.	DU 1	DU 2
94-142 mm drains "flat" and "standard"	660003	1 set	45 set
139-187 mm drain "max"	660004	1 set	30 set

TECEDrainline/TECEDrainprofile fire protection set FireStop EI 120 DN 50

Fire protection set for direct vertical installation on the TECEDrainline/TECEDrainprofile DN 50 drain, for highly fire resistant partitioning of ceiling bushings in solid ceilings up to 120 min., classification in accordance with EN 13501 for fire protection class EI 120-U/C and E 120-U/C, European technical approval (ETA-11/0437), a general type approval has been applied for.

Set consisting of:

- Fire protection sleeve, 2 cross-recessed screws, identification plate, 150 mm DN 50 PP-HT pipe according to EN 1451
- Required core drill hole: \varnothing 130 mm (\varnothing min = 129 mm, \varnothing max = 133 mm)
- Application area: Solid ceilings from 150-325 mm ceiling thickness
- Grouting or filling of the gap is not necessary



Item No.	DU 1	DU 2
660006	1 pc.	50 pc.

TECE PP-HT adapter on PVC drain pipes

Adapter to connect TECEDrainline and TECEDrainpoint S drains to PVC waste water pipes.



Dimension	Item No.	DU 1	DU 2	DU 3
DN 40/DN 40	3690000	1 pc.	70 pc.	1120 pc.
DN 50/DN 40	3690001	1 pc.	70 pc.	1120 pc.
DN 50/DN 50	3690002	1 pc.	70 pc.	1120 pc.

TECE adapter DN 50/2"

Adapter to connect TECEDrainline, TECEDrainpoint S and TECEDrainprofile drains to 2" PVC waste water pipes in accordance with BS5255.



Item No.	DU 1	DU 2
669012	1 pc.	10 pc.

TECE hair trap for shower channels

Hair trap made of stainless steel, for fitting into the channel body.

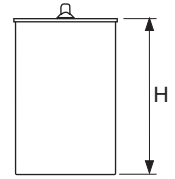


Item No.	DU 1	DU 2	DU 3
660005	1 pc.	10 pc.	100 pc.

TECEdrainline – Accessories

TECEdrainline membrane odour trap for TECEdrainline drains

Plastic immersion pipe with inner sealing lip membrane as protection against evaporation, barrier against odour and vermin (two-stage trap effect through water seal and sealing lip membrane).



Version	H	Item No.	DU 1	DU 2
For "extra-flat" drain	24 mm	660015	1 pc.	150 pc.
For "flat" drain	45 mm	660016	1 pc.	100 pc.
For "max" and "vertical" drain	94 mm	660017	1 pc.	100 pc.
For "standard" drain	74 mm	660018	1 pc.	100 pc.

TECEdrainline Seal System sealing tape*

Self-adhesive butyl sealing tape with matting for sealing TECEdrainline shower channels. For direct adhesion by the customer on the stainless steel flange of the shower channel. With matting for installation in the liquid or strip composite seal. Roll width: 100 mm



Item No.	DU 1	DU 2
660019	3.9 m	31.2 m

TECE sound insulation mat Drainbase

Sound insulation mat for assembly under floating screed in the area of floor-level showers or throughout the bathroom. To reduce plumbing noise and provide impact noise insulation for renovations and new buildings.

Made from recycled high-tensile rubber granules bound with PUR elastomer. Meets enhanced sound insulation requirements for installation noise level according to DIN 4109-5, issued 2020-08 and the highest sound insulation level SSt III according to VDI 4100, issued 2012-10 (sound test verification available on request).

- Form of delivery: 1.25 m x 1.25 m x 6 mm
- Fire class: B2 (DIN 4102)
- Thermal resistance: 0.05 (m²K)/W
- Compression at 15 t/m²: 0.6 mm
- Impact noise reduction: ΔLw= 20 dB(A) (for 50 mm screed)



Item No.	DU 1	DU 2
660001	1 pc.	16 pc.

TECE sound insulation mat Drainbase, roll

Sound insulation mat for assembly under floating screed in the area of floor-level showers or throughout the bathroom. To reduce plumbing noise and provide impact noise insulation for renovations and new buildings.

Made from recycled high-tensile rubber granules bound with PUR elastomer. Meets enhanced sound insulation requirements for installation noise level according to DIN 4109-5, issued 2020-08 and the highest sound insulation level SSt III according to VDI 4100, issued 2012-10 (sound test verification available on request).



- Form of delivery: 8.0 m x 1.25 m x 6 mm (roll, approx. 50 kg)
- Fire class: B2 (DIN 4102)
- Thermal resistance: 0.05 (m²K)/W
- Compression at 15 t/m²: 0.6 mm
- Impact noise reduction: $\Delta L_w = 20$ dB(A) (for 50 mm screed)

Item No.	DU 1
660002	8 m

TECEdrainline – Evo accessories

TECEdrainline-Evo wall bracket

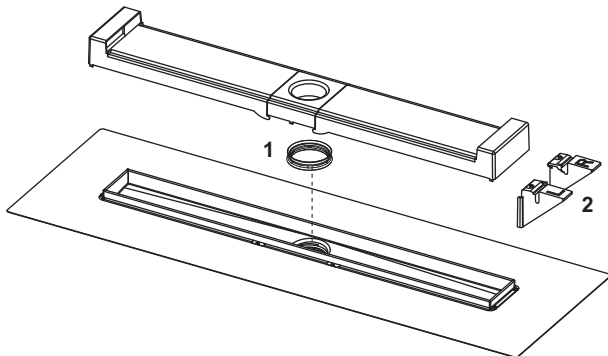
TECEdrainline-Evo wall bracket for fastening to the protective construction cover of the shower channel.

- For flush or close to the wall installation
- For easy and stable alignment and position fixing during shell installation
- The wall bracket can be dismantled and reused
- Adjustable wall distances of 0-97 mm (from the wall to the hard shell of the shower channel) or 0-117 mm (from the wall to the capillary protection edge)



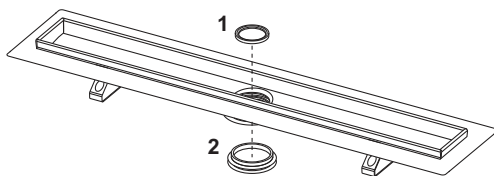
Item No.	DU 1	DU 2
660021	1 set	18 set

TECEdrainline-Evo shower channel
 TECEdrainline-Evo shower channel with wall tile support
 TECEdrainline-Evo shower channel, colour-coated



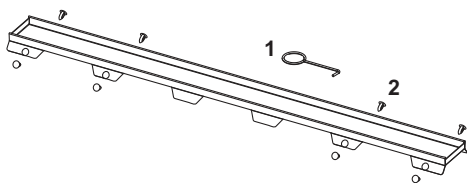
Pos.	Item No.	Designation	DU 1
1	668033	Immersion pipe seal	1 pc.
2	668034	Levelling points	1 pc.

TECEdrainline shower channel with Seal System sealing tape
 TECEdrainline shower channel with wall upstand and Seal System sealing tape
 TECEdrainline shower channel, colour coated, with Seal System sealing tape



Pos.	Item No.	Designation	DU 1
1	668012	Immersion pipe seal	1 pc.
2	668013	Seal between channel and drain (until 2015)	1 pc.

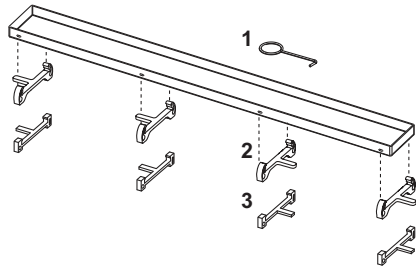
TECEdrainline tileable channel "plate II" stainless steel for shower channel



Pos.	Item No.	Designation	DU 1
1	668014	Lift tool	1 pc.
2	668016	Spacer clip	10 pc.

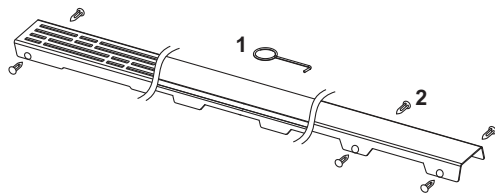
TECEdrainline – Spare parts

TECEdrainline tileable channel "plate" stainless steel for shower channel
 TECEdrainline tileable channel "plate", for 90° angled channel



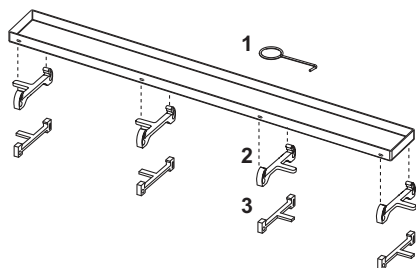
Pos.	Item No.	Designation	DU 1
1	668014	Lift tool	1 pc.
2	668020	Hollow feet, grey (from 08/2007)	1 pc.
3	668024	Hollow feet, stainless steel (until 08/2007)	1 pc.

TECEdrainline glass cover for shower channel, satin finish
 TECEdrainline design cover "steel II" stainless steel for shower channel
 TECEdrainline design grate "basic" stainless steel for shower channel
 TECEdrainline design grate "drops" stainless steel for shower channel
 TECEdrainline design grate "quadratum" stainless steel for shower channel
 TECEdrainline design grate "organic" stainless steel for shower channel
 TECEdrainline design grate "steel II", stainless steel, for 90° angled shower channel
 TECEdrainline design grate "basic", stainless steel, for 90° angled shower channel



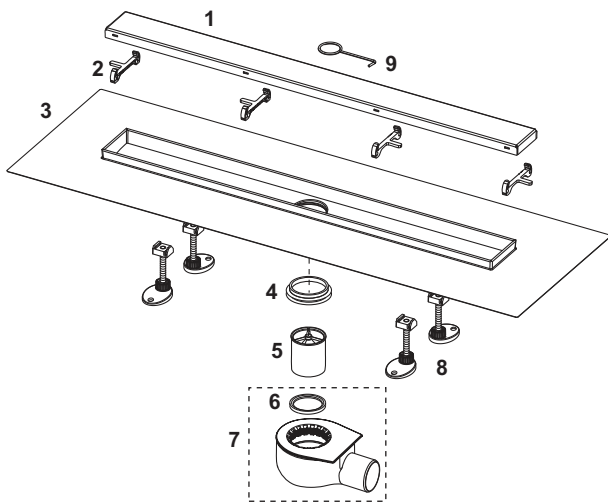
Pos.	Item No.	Designation	DU 1
1	668014	Lift tool	1 pc.
2	668016	Spacer clip	10 pc.

TECEdrainline design cover "steel" stainless steel colour-coated for shower channel



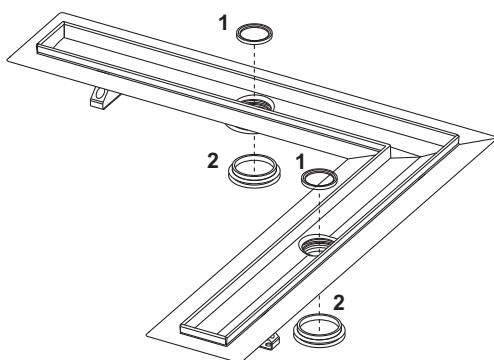
Pos.	Item No.	Designation	DU 1
1	668014	Lift tool	1 pc.
2	668039	Hollow feet, matt black	1 pc.
	668040	Hollow feet, matt white	1 pc.
	668020	Hollow feet, grey (from 08/2007)	1 pc.
3	668024	Hollow feet, stainless steel (until 08/2007)	1 pc.

TECEdrainline shower channel set with cover "2 in 1"



Pos.	Item No.	Designation	DU 1
1	15243071	Cover "2 in 1", 700 mm	1 pc.
	15243081	Cover "2 in 1", 800 mm	1 pc.
	15243091	Cover "2 in 1", 900 mm	1 pc.
2	668020	Hollow feet, grey (from 08/2007)	1 pc.
3	668036	Shower channel, 700 mm with factory fitted sealing collar	1 pc.
	668037	Shower channel, 800 mm with factory fitted sealing collar	1 pc.
	668038	Shower channel, 900 mm with factory fitted sealing collar	1 pc.
4	668012	Immersion pipe seal	1 pc.
5	660016	Membrane odour trap for "flat" drain	1 pc.
6	668032	Seal between channel and drain with grip claw, from 2015	1 pc.
7	650000	Drain "flat" DN 50 side drain	1 pc.
8	660003	Assembly feet 94-142 mm	1 set
9	668014	Lift tool	1 pc.

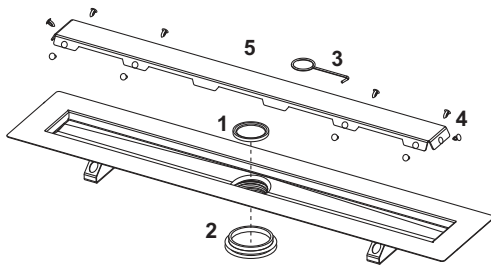
TECEdrainline angled channel with Seal System sealing tape



Pos.	Item No.	Designation	DU 1
1	668012	Immersion pipe seal	1 pc.
2	668013	Seal between channel and drain (until 2015)	1 pc.

TECEdrainline – Spare parts

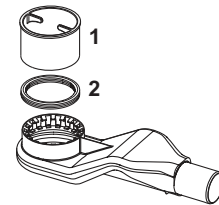
TECEdrainline shower channel for natural stone with Seal System sealing set and stainless steel support as a set



Pos.	Item No.	Designation	DU 1
1	668012	Immersion pipe seal	1 pc.
2	668013	Seal between channel and drain (until 2015)	1 pc.
3	668014	Lift tool	1 pc.
4	668016	Spacer clip	10 pc.
5	668026	Support sheet shower channel natural stone 700 mm	1 pc.
	668027	Support sheet shower channel natural stone 800 mm	1 pc.
	668028	Support sheet shower channel natural stone 900 mm	1 pc.
	668029	Support sheet shower channel natural stone 1000 mm	1 pc.
	668030	Support sheet shower channel natural stone 1200 mm	1 pc.
	668031	Support sheet shower channel natural stone 1500 mm	1 pc.

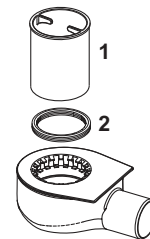
650004 – TECEdrainline drain "extra-flat", DN 40 side drain

Pos.	Item No.	Designation	DU 1
1	668025	Immersion tube (H = 25 mm) for extra-flat drain	1 pc.
2	668032	Seal between channel and drain with grip claw, from 2015	1 pc.



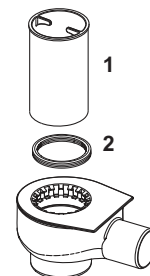
650000 – TECEdrainline drain "flat", DN 50 side drain

Pos.	Item No.	Designation	DU 1
1	668010	Immersion tube (H = 49 mm) for outlet flat	1 pc.
2	668032	Seal between channel and drain with grip claw, from 2015	1 pc.



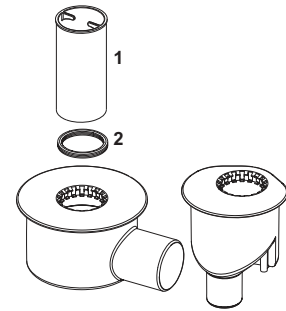
650001 – TECEdrainline drain "standard", DN 50 side drain

Pos.	Item No.	Designation	DU 1
1	668011	Immersion tube (H = 74 mm) for outlet standard	1 pc.
2	668032	Seal between channel and drain with grip claw, from 2015	1 pc.



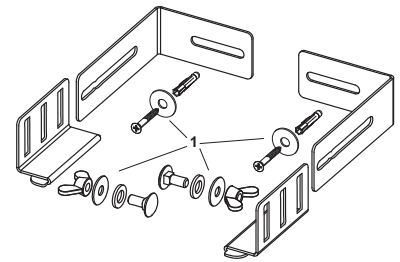
650002 – TECEdrainline drain "max", DN 70 side drain
 650003 – TECEdrainline drain "vertical", DN 50 vertical drain

Pos.	Item No.	Designation	DU 1
1	668019	Immersion pipe (H = 94 mm) for outlet max and vertical	1 pc.
2	668032	Seal between channel and drain with grip claw, from 2015	1 pc.



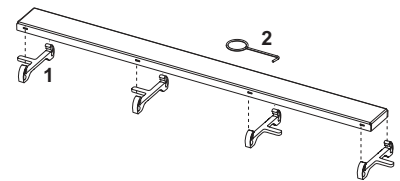
TECEdrainline-Evo wall bracket

Pos.	Item No.	Designation	DU 1
1	668035	Screw set for wall bracket TECEdrainline-Evo	1 pc.



TECE cover "2 in 1"

Pos.	Item No.	Designation	DU 1
1	668020	Hollow feet, grey (from 08/2007)	1 pc.
2	668014	Lift tool	1 pc.



TECEdrainline-Evo levelling points

Levelling points (left and right) for clipping and forming a wider screed drip edge for easier levelling.



Item No.	DU 1	DU 2
668034	1 pc.	40 pc.



TECEP

Drainage Systems

TECEshowerline SHOWER CHANNELS





	Page
Shower channel sets	312
Design covers, tileable channels	314
Accessories	315
Spare parts	316

TECEshowerline – Shower channel sets

TECEshowerline shower channel set

Straight stainless steel channel body for installation in the screed, for connection to a vertical drainage line DN 50.

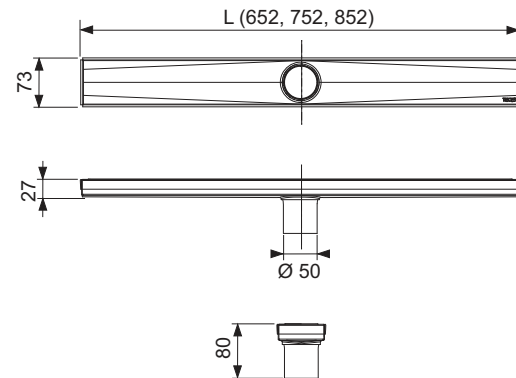
Consisting of:

- Channel body made of polished stainless steel, material 1.4301 (304)
- Reversible cover "2 in 1"
- Central channel support
- Odour trap and vermin barrier (pluggable)
- internal gradient for improved water drainage and self-cleaning effect

Visible width

after installation = 652, 752, ... mm

Width in unfinished state incl. flange = 73 mm



Nominal length	Total length L	Visible width		DU 1
		after installation	Item No.	
700 mm	652 mm	652 mm	15201070	1 pc.
800 mm	752 mm	752 mm	15201080	1 pc.
900 mm	852 mm	852 mm	15201090	1 pc.

TECEshowerline shower channel for natural stone, straight, with stainless steel support as a set

Straight channel body and support sheet for TECEshowerline shower channel, for installation in the screed, laying by the customer of large tiles/natural stone slabs, with flange for connection to a vertical drainage line DN 50.

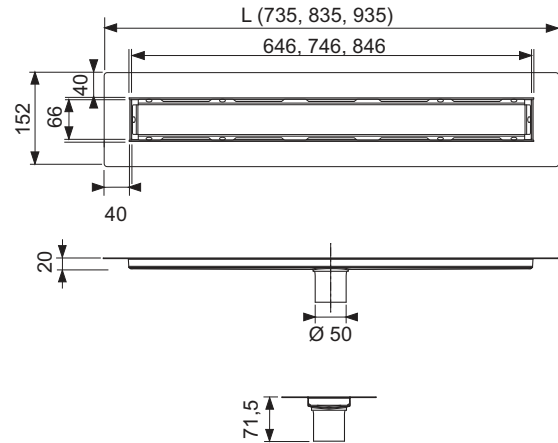
Consisting of:

- Channel body with flange made of polished stainless steel, material 1.4301 (304)
- Central channel support
- Odour trap and vermin barrier (pluggable)
- Internal incline for improved water drainage and self-cleaning effect
- Support sheet made of stainless steel – material 1.4301 (304) – for fitting in the channel body

Visible width

after installation = 626, 726, ... mm

Width in unfinished state incl. flange = 152 mm



Nominal length	Total length L	Support sheet length L - 89	Covering cut-out length L - 87	Visible width after installation	Item No.	DU 1
700 mm	735 mm	646 mm	648 mm	626 mm	15201072	1 pc.
800 mm	835 mm	746 mm	748 mm	726 mm	15201082	1 pc.
900 mm	935 mm	846 mm	848 mm	826 mm	15201092	1 pc.

TECEshowerline – Design covers, tileable channels

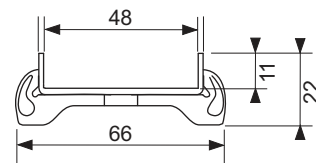
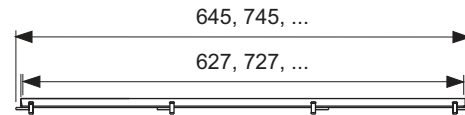
TECE cover "2 in 1"

Reversible cover "2 in 1" (brushed stainless steel-look or tileable) for fitting into the TECEShowerline channel body, made of stainless steel, durable to load class K3 - maximum test load 300 kg, for use either as brushed stainless steel cover or as tileable channel for attaching tiles on-site using elastic adhesive, e.g. silicon or epoxy resin adhesive.

Caution:

Check the adhesive to ensure tile compatibility!

Nominal length	Surface	Item No.	DU 1
700 mm	Brushed	15243071	1 pc.
800 mm	Brushed	15243081	1 pc.
900 mm	Brushed	15243091	1 pc.



TECEshowerline mechanical odour trap

Mechanical odour trap:

- Shutoff against sewer gases and vermin
- Can be plugged into all TECEshowerline channel bodys
- Drainage capacity > 0.8 l/s (to EN 1253 with 10/20 mm build-up)



Item No.	DU 1	DU 2
15221000	1 pc.	150 pc.

TECE hair trap for shower channels

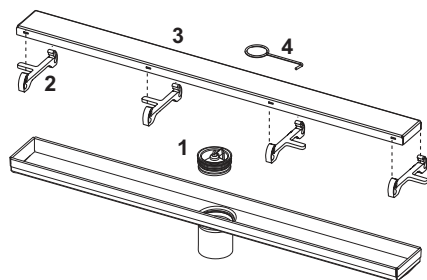
Hair trap made of stainless steel, for fitting into the channel body.



Item No.	DU 1	DU 2	DU 3
660005	1 pc.	10 pc.	100 pc.

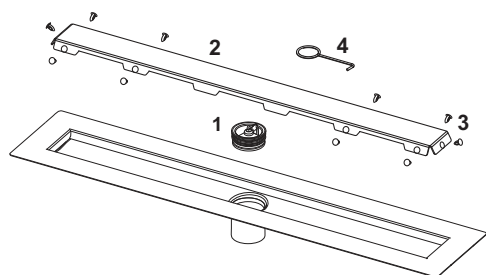
TECEshowerline – Spare parts

TECEshowerline shower channel set



Pos.	Item No.	Designation	DU 1
1	15221000	Mechanical odour trap	1 pc.
2	668020	Hollow feet, grey (from 08/2007)	1 pc.
3	15243071	Cover "2 in 1", 700 mm	1 pc.
	15243081	Cover "2 in 1", 800 mm	1 pc.
	15243091	Cover "2 in 1", 900 mm	1 pc.
4	668014	Lift tool	1 pc.

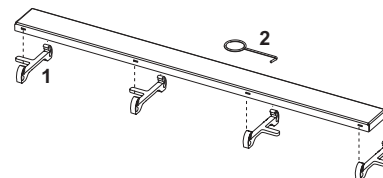
TECEshowerline shower channel for natural stone, straight, with stainless steel support as a set



Pos.	Item No.	Designation	DU 1
1	15221000	Mechanical odour trap	1 pc.
2	668026	Support sheet shower channel natural stone 700 mm	1 pc.
	668027	Support sheet shower channel natural stone 800 mm	1 pc.
	668028	Support sheet shower channel natural stone 900 mm	1 pc.
3	668016	Spacer clip	10 pc.
4	668014	Lift tool	1 pc.

TECE cover "2 in 1"

Pos.	Item No.	Designation	DU 1
1	668020	Hollow feet, grey (from 08/2007)	1 pc.
2	668014	Lift tool	1 pc.

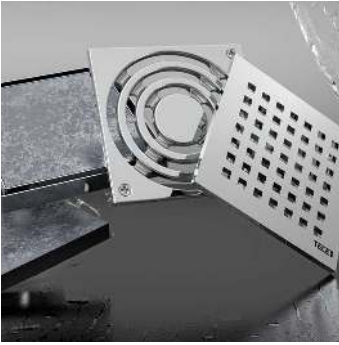


Drainage Systems

TECEdrainpoint S POINT DRAINS

TECEdrainpoint S





	Page
Drain sets	320
Drains	329
Drain tops	334
Grates	339
Accessories	341
Spare parts	345
Drainage capacity values	347

An overview of valid Declaration of Performance (DoP) is available on our website www.tece.com.

TECEdrainpoint S – Drain sets

TECEdrainpoint S 50 drain set extra-flat

Drain set TECEdrainpoint S 50 horizontal, extra-flat DN 50.

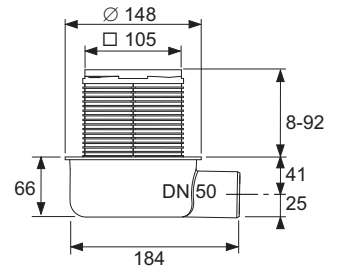
Consisting of:

- Drain body DN 50 horizontal, extra-flat, made of plastic (PP)
- Retaining edge
- With removable odour trap
- Reduced sealing water height = 27 mm
- Drain top with grate frame made of plastic (ABS) and o-ring seal
- TECEdrainpoint S design grate made of drawn stainless steel, material 1.4301 (304), dimensions 100 x 100 mm, polished surface, load class K3 (load bearing capacity up to 300 kg)

Drainage capacity to EN 1253 at 10/20 mm water level over grate:

- With minimum height of the drain top: 0.52/0.61 l/s
- With maximum height of the drain top: 0.69/1.12 l/s

Delivery incl. protective cap, foil for the construction site and assembly instructions.



Item No.	DU 1	DU 2
3601050	1 pc.	112 pc.

TECEdrainpoint S 110 drain set extra-flat with Seal System universal flange*

Floor drain set TECEdrainpoint S 110 horizontal, extra-flat DN 50.

Consisting of:

- Drain body DN 50 horizontal, extra-flat, made of plastic (PP)
- With universal flange for connection of composite seals in accordance with DIN 18534 or clamped flange connections
- With integrated ball joint
- With lateral inflow DN 40 incl. closure plug
- With removable odour trap
- Discharge capacity from 0.62 to 0.98 l/s
- Reduced sealing water height = 27 mm
- Drain top with grate frame made of plastic (ABS) and O-ring seal
- TECEdrainpoint S design grate made of drawn stainless steel, material 1.4301 (304), dimensions 100 x 100 mm, polished surface, load class K3 (load up to 300 kg)

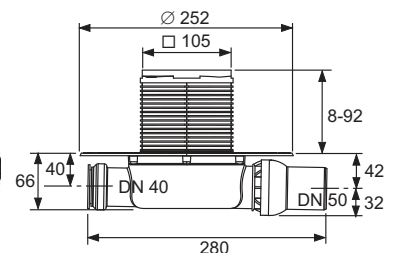
Drainage capacity to EN 1253 at 10/20 mm water level over grate:

- With minimum height of the drain top: 0.52/0.61 l/s
- With maximum height of the drain top: 0.69/1.12 l/s

Delivery incl. protective cap, protective foil for on-site protection during construction, and assembly instructions.

Please order separately – depending on seal type:

- Seal System sealing sleeve for the execution of an independently tested connection to the composite seal
- Compression ring set and cut-to-size sealing foil for clamped flange connections



Item No.	DU 1	DU 2
3601100	1 pc.	84 pc.

TECEdrainpoint S 111 drain set extra-flat with Seal System universal flange, without inlet*

Floor drain set TECEdrainpoint S 111 horizontal, extra-flat DN 50. Fulfils the requirements of EN 1253-6.

Consisting of:

- Plastic drain body DN 50 horizontal, extra-flat, (PP)
- With universal flange to connect composite seals according to DIN 18534 or compression flange connections
- With ball joint
- With removable odour trap
- Reduced sealing water height = 27 mm
- Drain top with grate frame made of plastic (ABS) and O-ring seal
- TECEdrainpoint S design grate made of drawn stainless steel, material 1.4301 (304), dimension 100 x 100 mm, polished surface, load class K3 (load of up to 300 kg)

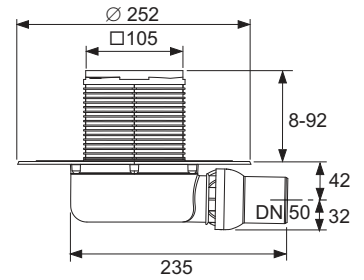
Drainage capacity according to EN 1253 at 10/20 mm water level above grate:

- For drain top minimum height: 0.52/0.61 l/s
- For drain top maximum height: 0.69/1.12 l/s

Delivery includes protective cap for construction, protective foil for construction, and assembly instructions.

Please order separately – depending on seal type:

- Seal System sealing collar to create an independently tested connection to the composite seal
- Compression ring set and cut-to-size sealing foil for compression flange connections



Item No.	DU 1	DU 2
3601105	1 pc.	84 pc.

TECEdrainpoint S – Drain sets

TECEdrainpoint S 112 drain set extra-flat with Seal System universal flange and stainless steel grate frame*

Floor drain set TECEdrainpoint S 112 horizontal, extra-flat DN 50, stainless steel grate frame with stainless steel grate and two-stage membrane odour trap.

Consisting of:

- Drain body DN 50 horizontal, extra-flat, made of plastic (PP)
- With universal flange for connection of composite seals in accordance with DIN 18534 or clamped flange connections
- With integrated ball joint
- With lateral inflow DN 40 incl. closure plug
- With removable 2-stage membrane odour trap
- 20 mm sealing water and additional sealing lip membrane
- Drain top with grate frame made of plastic (ABS) and O-ring seal
- Grate frame made of drawn stainless steel, material 1.4301 (304), for grate dimensions 100 x 100 mm
- TECEdrainpoint S design grate made of drawn stainless steel, material 1.4301 (304), dimensions 100 x 100 mm, polished surface, load class K3 (load up to 300 kg)

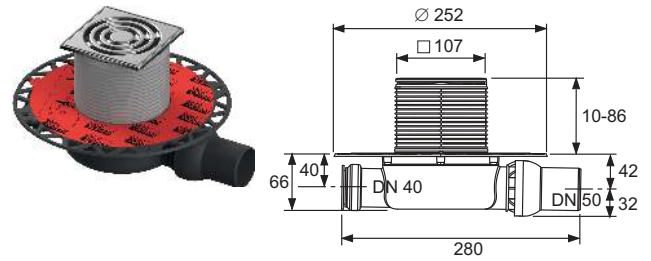
Drainage capacity to EN 1253 at 10/20 mm water level over grate:

- With minimum height of the drain top: 0.51/0.61 l/s
- With maximum height of the drain top: 0.56/1.23 l/s

Delivery incl. protective cap, protective foil for on-site protection during construction, and assembly instructions.

Please order separately – depending on seal type:

- Seal System sealing sleeve for the execution of an independently tested connection to the composite seal
- Compression ring set and cut-to-size sealing foil for clamped flange connections



Item No.	DU 1	DU 2
3601102	1 pc.	84 pc.

TECEdrainpoint S 113 drain set extra-flat with Seal System universal flange and stainless steel grate frame, without inlet*

Floor drain set TECEdrainpoint S 113 horizontal, extra-flat DN 50, stainless steel grate frame with stainless special steel grate. Fulfils the requirements of EN 1253-6.

Consisting of:

- Plastic drain body DN 50 horizontal, extra-flat, (PP)
- With universal flange to connect composite seals according to DIN 18534 or compression flange connections
- With ball joint
- With removable odour trap
- Reduced sealing water height = 27 mm
- Drain top made of plastic (ABS) and O-ring seal
- Grate frame made of drawn stainless steel, material 1.4301 (304) for grate dimensions 100 x 100 mm
- TECEdrainpoint S design grate made of drawn stainless steel, material 1.4301 (304), dimension 100 x 100 mm, polished surface, load class K3 (load of up to 300 kg)

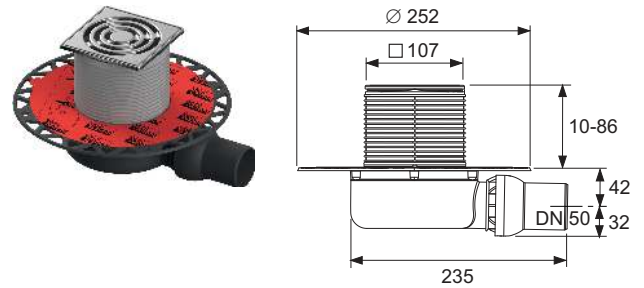
Drainage capacity according to EN 1253 at 10/20 mm water level above grate:

- For drain top minimum height: 0.51/0.61 l/s
- For drain top maximum height: 0.56/1.23 l/s

Delivery includes protective cap for construction, protective foil for construction, and assembly instructions.

Please order separately – depending on seal type:

- Seal System sealing collar to create an independently tested connection to the composite seal
- Compression ring set and cut-to-size sealing foil for compression flange connections



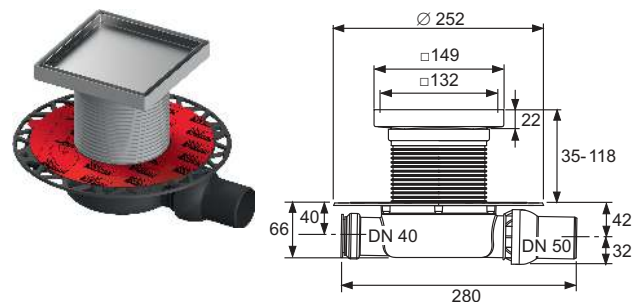
Item No.	DU 1	DU 2
3601106	1 pc.	84 pc.

TECEdrainpoint S 116 drain set extra flat with Seal System universal flange, tileable channel "plate" 150 mm*

Floor drain set TECEdrainpoint S 116 horizontal, super-flat DN 50, stainless steel grate frame and tileable channel "plate" 142 x 142 mm.

Consisting of:

- Plastic drain body DN 50 horizontal, extra-flat, (PP)
- With universal flange to connect composite seals according to DIN 18534 or compression flange connections
- With ball joint
- With lateral inflow DN 40 including closure plug
- With removable odour trap
- Reduced sealing water height = 27 mm
- Drain top made of plastic (ABS) and O-ring seal
- Grate frame made of drawn stainless steel, material 1.4301 (304)
- "Plate" stainless steel tileable channel, dimensions 142 x 142 mm, polished surface, load class K3 (load up to 300 kg)
- Tileable insert internal height = 10.5 mm
- Height adjustment when creating a composite sealing: 22 mm (without drain top) and 35-118 mm (with drain top), dimensions apply from upper edge of universal flange to upper edge of grate frame



Item No.	DU 1	DU 2
3601108	1 pc.	84 pc.

TECEdrainpoint S – Drain sets

TECEdrainpoint S 120 drain set standard with Seal System universal flange*

Floor drain set TECEdrainpoint S 120 horizontal, standard DN 50. Fulfils the requirements of EN 1253-1.

Consisting of:

- Plastic drain body DN 50 horizontal, standard, (PP)
- With universal flange to connect composite seals according to DIN 18534 or compression flange connections
- With ball joint
- With lateral inflow DN 40 including closure plug
- With removable odour trap
- Sealing water height = 50 mm
- Drain top with grate frame made of plastic (ABS) and O-ring seal
- TECEdrainpoint S design grate made of drawn stainless steel, material 1.4301 (304), dimension 100 x 100 mm, polished surface, load class K3 (load of up to 300 kg)

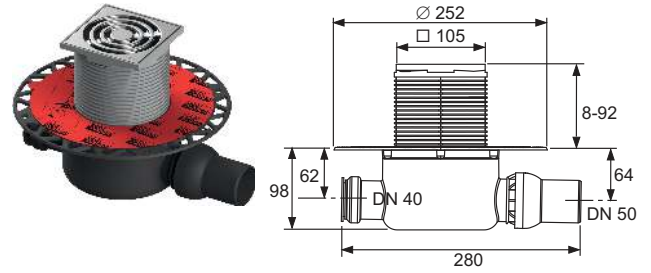
Drainage capacity according to EN 1253 at 10/20 mm water level above grate:

- For drain top minimum height: 0.52/0.89 l/s
- For drain top maximum height: 0.64/1.35 l/s

Delivery includes protective cap for construction, protective foil for construction, and assembly instructions.

Please order separately – depending on seal type:

- Seal System sealing sleeve for the execution of an independently tested connection to the composite seal
- Compression ring set and cut-to-size sealing foil for clamped flange connections



Item No.	DU 1	DU 2
3601200	1 pc.	84 pc.

TECEdrainpoint S 122 drain set standard with Seal System universal flange and stainless steel grate frame*

Floor drain set TECEdrainpoint S 122 horizontal, DN 50, stainless steel grate frame with stainless steel grate and 2-stage membrane odour trap.

Consisting of:

- Drain body DN 50 horizontal, made of plastic (PP)
- With universal flange for connection of composite seals in accordance with DIN 18534 or clamped flange connections
- With integrated ball joint
- With lateral inflow DN 40 incl. closure plug
- With removable 2-stage membrane odour trap
- 50 mm sealing water and additional sealing lip membrane
- Drain top with grate frame made of plastic (ABS) and O-ring seal
- Grate frame made of drawn stainless steel, material 1.4301 (304), for grate dimensions 100 x 100 mm
- TECEdrainpoint S design grate made of drawn stainless steel, material 1.4301 (304), dimensions 100 x 100 mm, polished surface, load class K3 (load up to 300 kg)

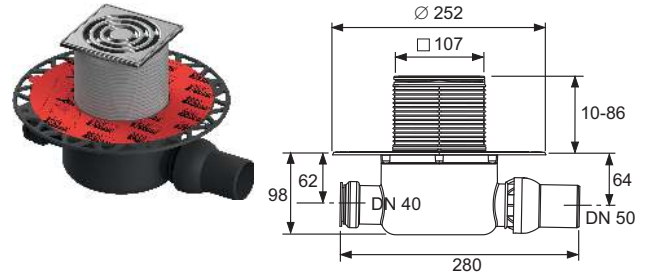
Drainage capacity to EN 1253 at 10/20 mm water level over grate:

- With minimum height of the drain top: 0.54/0.85 l/s
- With maximum height of the drain top: 0.71/1.35 l/s

Delivery incl. protective cap, protective foil for on-site protection during construction, and assembly instructions.

Please order separately – depending on seal type:

- Seal System sealing sleeve for the execution of an independently tested connection to the composite seal
- Compression ring set and cut-to-size sealing foil for clamped flange connections



Item No.	DU 1	DU 2
3601202	1 pc.	84 pc.

TECEDrainpoint S – Drain sets

TECEDrainpoint S 130 drain set vertical with Seal System universal flange*

Floor drain set TECEDrainpoint S 130 vertical, DN 50. Fulfils the requirements of EN 1253-1.

Consisting of:

- Drain body DN 50 vertical, made of plastic (PP)
- With universal flange to connect composite seals according to DIN 18534 or compression flange connections
- With removable odour trap
- Sealing water height = 50 mm
- Drain top with grate frame made of plastic (ABS) and O-ring seal
- TECEDrainpoint S design grate made of drawn stainless steel, material 1.4301 (304), dimension 100 x 100 mm, polished surface, load class K3 (load of up to 300 kg)

Drainage capacity according to EN 1253 at 10/20 mm water level above grate:

- For drain top minimum height: 0.64/1.36 l/s
- For drain top maximum height: 0.70/1.56 l/s

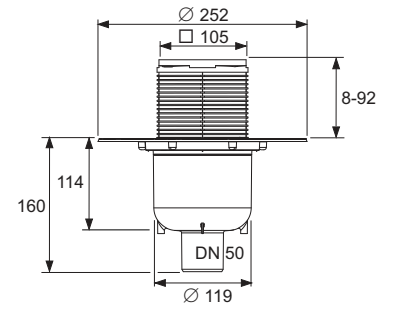
Delivery includes protective cap for construction, protective foil for construction, and assembly instructions.

Required core drill hole:

Diameter 120 mm

Please order separately – depending on seal type:

- Seal System sealing sleeve for the execution of an independently tested connection to the composite seal
- Compression ring set and cut-to-size sealing foil for clamped flange connections



Item No.	DU 1	DU 2
3601300	1 pc.	60 pc.

TECEdrainpoint S 114 drain set extra-flat with factory-fitted Seal System sealing sleeve*

Floor drain set TECEdrainpoint S 114 horizontal, extra-flat DN 50, with sound-insulated assembly element, drain top with plastic grate frame and factory-fitted Seal System sealing collar.

Consisting of:

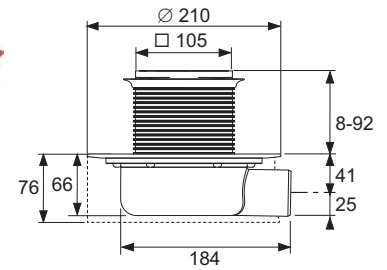
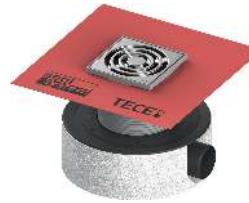
- Drain body DN 50 horizontal super flat made of plastic (PP), with compression flange for connection of sealing foils made of plastic or elastomers
- Reduced sealing water height = 27 mm
- With removable 2-stage membrane odour trap
- Assembly element with fasteners for sound-insulated installation on the bare concrete ceiling
- Drain top with grate frame made of plastic (ABS) with factory-fastened sealing collar with Seal System for connection of composite seals in accordance with DIN 18534
- TECEdrainpoint S design grate made of drawn stainless steel, material 1.4301 (304), dimensions 100 x 100 mm, polished surface, load class K3 (loadable up to 300 kg)
- Shuttering element made of EPS as placeholder for the drain top for use during the creation of the screed.
- For floor coverings from 8 to 25 mm (incl. adhesive bed)

Drainage capacity according to EN 1253 at 10/20 mm accumulation height above grate:

- at minimum height of drain top: 0.47/0.54 l/s
- for maximum drain top height: 0.65/0.88 l/s

Please order separately:

- Compression ring set and cut-to-size sealing foil for adhesive flange connections (optional)



Item No.	DU 1	DU 2
3601104	1 pc.	24 pc.

TECEdrainpoint S – Drain sets

TECEdrainpoint S 115 drain set extra-flat with factory-fitted Seal System sealing collar and water odour trap*

Floor drain set TECEdrainpoint S 115 horizontal, super flat DN 50, with sound-insulating assembly element, drain top with plastic grate frame and factory-attached Seal System sealing collar.

Consisting of:

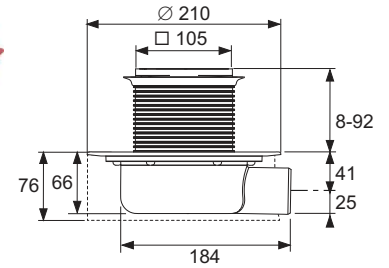
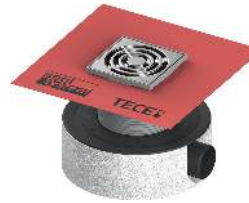
- Drain body DN 50 horizontal super flat made of plastic (PP), with compression flange for connection of sealing foils made of plastic or elastomers
- Reduced sealing water height = 27 mm
- With removable odour trap
- Assembly element with fasteners for sound-insulated installation on the bare concrete ceiling
- Drain top with grate frame made of plastic (ABS) with factory-fastened sealing collar with Seal System for connection of composite seals in accordance with DIN 18534
- TECEdrainpoint S design grate made of drawn stainless steel, material 1.4301 (304), dimensions 100 x 100 mm, polished surface, load class K3 (loadable up to 300 kg)
- Shuttering element made of EPS as placeholder for the drain top for use during the creation of the screed.
- For floor coverings from 8 to 25 mm (incl. adhesive bed)

Drainage capacity according to EN 1253 at 10/20 mm accumulation height above grate:

- at minimum height of drain top: 0.52/0.61 l/s
- for maximum drain top height: 0.69/1.12 l/s

Please order separately:

- Compression ring set and cut-to-size sealing foil to create compression flange connections (optional)



Item No.	DU 1	DU 2
3601107	1 pc.	24 pc.

TECEdrainpoint S drain DN 50 extra-flat with Seal System universal flange*

Floor drain set TECEdrainpoint S DN 50 horizontal, extra-flat, made of plastic (PP).

- With universal flange to connect composite seals according to DIN 18534 or clamping flange connections
- With ball joint
- With lateral inflow DN 40 including closure plug
- With removable odour trap
- Reduced sealing water height = 27 mm

Drainage capacity according to EN 1253 at 10/20 mm water level above grate:

- With minimum height of the drain top: 0.52/0.61 l/s
- With maximum height of the drain top: 0.69/1.12 l/s

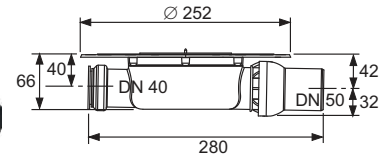
Delivery includes protective cap and protective foil for on-site protection during construction and assembly instructions.

Please order separately – depending on seal type:

- Seal System sealing sleeve for the execution of an independently tested connection to the composite seal
- Compression ring set and cut-to-size sealing foil for clamped flange connections

Note:

Drainage capacity values measured with drain top and design grate 100 mm (Item No. 3660001), for further drain capacity values see the relevant chapter.



Item No.	DU 1	DU 2
3601400	1 pc.	120 pc.

TECEdrainpoint S drain DN 50 extra-flat with Seal System universal flange, without inlet*

Floor drain set TECEdrainpoint S DN 50 horizontal, extra-flat, made of plastic (PP). Fulfils the requirements of EN 1253-6.

- With universal flange to connect composite seals according to DIN 18534 or compression flange connections
- With ball joint
- With removable odour trap
- Reduced sealing water height = 27 mm

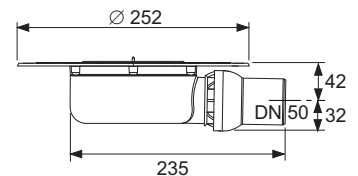
Drainage capacity according to EN 1253 at 10/20 mm water level above grate:

- For drain top minimum height: 0.52/0.61 l/s
- For drain top maximum height: 0.69/1.12 l/s

Delivery includes protective cap for construction, protective foil for construction, and assembly instructions.

Please order separately – depending on seal type:

- Seal System sealing collar to create an independently tested connection to the composite seal
- Compression ring set and cut-to-size sealing foil for compression flange connections



Item No.	DU 1	DU 2
3601404	1 pc.	120 pc.

TECEdrainpoint S – Drains

TECEdrainpoint S drain DN 50 terrace with Seal System universal flange*

Floor drain TECEdrainpoint S DN 50 as terrace or balcony drain, horizontal, extra-flat, made of plastic (PP).

- With universal flange for connection of composite seals in accordance with DIN 18534 or clamped flange connections
- Without odour trap

Drainage capacity to EN 1253 at 10/20 mm water level over grate:

- With minimum height of the drain top: 0.66/1.22 l/s
- With maximum height of the drain top: 0.50/1.51 l/s

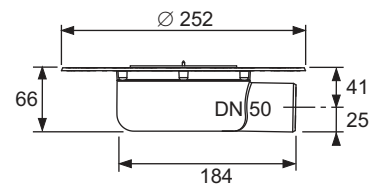
Delivery incl. protective cap, protective foil for on-site protection during construction, and assembly instructions.

Please order separately – depending on seal type:

- Seal System sealing sleeve for the execution of a tested and certified connection to the composite seal
- Compression ring set and cut-to-size sealing foil for clamped flange connections

Note:

Drainage capacity values measured with drain top and design grate 100 mm (Item No. 3660001), for further drain capacity values see the relevant chapter.



Item No.	DU 1	DU 2
3601401	1 pc.	120 pc.

TECEdrainpoint S drain DN 50 standard with Seal System universal flange*

Floor drain set TECEdrainpoint S DN 50 horizontal, standard, made of plastic (PP). Fulfills the requirements of EN 1253-1.

- With universal flange to connect composite seals according to DIN 18534 or compression flange connections
- With ball joint
- With lateral inflow DN 40 including closure plug
- With removable odour trap
- Sealing water height = 50 mm

Drainage capacity according to EN 1253 at 10/20 mm water level above grate:

- For drain top minimum height: 0.52/0.89 l/s
- For drain top maximum height: 0.64/1.35 l/s

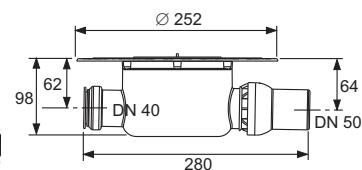
Delivery includes protective cap for construction, protective foil for construction, and assembly instructions.

Please order separately – depending on seal type:

- Seal System sealing sleeve for the execution of a tested and certified connection to the composite seal
- Compression ring set and cut-to-size sealing foil for clamped flange connections

Note:

Drainage capacity values measured with drain top and design grate 100 mm (Item No. 3660001), for further drain capacity values see the relevant chapter.



Item No.	DU 1	DU 2
3601500	1 pc.	72 pc.

TECEdrainpoint S drain DN 50 vertical with Seal System universal flange*

Floor drain set TECEdrainpoint S DN 50 vertical, made of plastic (PP). Fulfills the requirements of EN 1253-1.

- With universal flange to connect composite seals according to DIN 18534 or compression flange connections
- With removable odour trap
- Sealing water height = 50 mm

Drainage capacity according to EN 1253 at 10/20 mm water level above grate:

- For drain top minimum height: 0.64/1.36 l/s
- For drain top maximum height: 0.70/1.56 l/s

Delivery includes protective cap for construction, protective foil for construction, and assembly instructions.

Required core drill hole:

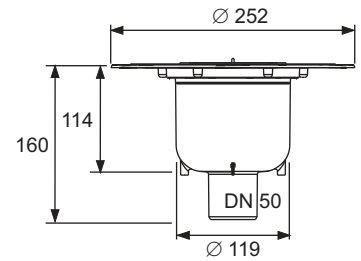
Diameter 120 mm

Please order separately – depending on seal type:

- Seal System sealing sleeve for the execution of a tested and certified connection to the composite seal
- Compression ring set and cut-to-size sealing foil for clamped flange connections

Note:

Drainage capacity values measured with drain top and design grate 100 mm (Item No. 3660001), for further drain capacity values see the relevant chapter.



Item No.	DU 1	DU 2
3601600	1 pc.	48 pc.

TECEdrainpoint S drain DN 70 with Seal System universal flange*

Floor drain set TECEdrainpoint S DN 70 horizontal, made of plastic (PP). Fulfills the requirements of EN 1253-1.

- With universal flange to connect composite seals according to DIN 18534 or compression flange connections
- With lateral inflow DN 50 including closure plug
- With removable odour trap
- Sealing water height = 50 mm

Drainage capacity according to EN 1253 at 10/20 mm water level above grate:

- For drain top minimum height: 0.62/1.22 l/s
- For drain top maximum height: 0.87/1.74 l/s

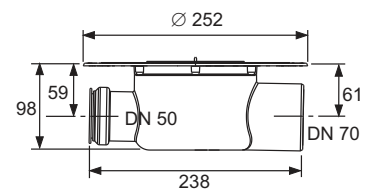
Delivery includes protective cap for construction, protective foil for construction, and assembly instructions.

Please order separately – depending on seal type:

- Seal System sealing sleeve for the execution of a tested and certified connection to the composite seal
- Compression ring set and cut-to-size sealing foil for clamped flange connections

Note:

Drainage capacity values measured with drain top and design grate 150 mm (Item No. 3660003), for further drain capacity values see the relevant chapter.



Item No.	DU 1	DU 2
3603500	1 pc.	72 pc.

TECEdrainpoint S – Drains

TECEdrainpoint S drain DN 70 vertical with Seal System universal flange*

Floor drain set TECEdrainpoint S DN 70 vertical, made of plastic (PP). Fulfills the requirements of EN 1253-1.

- With universal flange to connect composite seals according to DIN 18534 or compression flange connections
- With removable odour trap
- Sealing water height = 50 mm

Drainage capacity according to EN 1253 at 10/20 mm water level above grate:

- For drain top minimum height: 0.47/1.81 l/s
- For drain top maximum height: 0.63/1.84 l/s

Delivery includes protective cap for construction, protective foil for construction, and assembly instructions.

Required core drill hole:

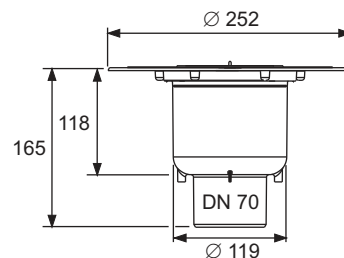
Diameter 122 mm

Please order separately – depending on seal type:

- Seal System sealing sleeve for the execution of a tested and certified connection to the composite seal
- Compression ring set and cut-to-size sealing foil for clamped flange connections

Note:

Drainage capacity values measured with drain top and design grate 150 mm (Item No. 3660003), for further drain capacity values see the relevant chapter.



Item No.	DU 1	DU 2
3603600	1 pc.	48 pc.

TECEdrainpoint S drain DN 100 with Seal System universal flange*

Floor drain set TECEdrainpoint S DN 100 horizontal, made of plastic (PP). Fulfills the requirements of EN 1253-1.

- With universal flange to connect composite seals according to DIN 18534 or compression flange connections
- With lateral inflow DN 50 including closure plug
- With removable odour trap
- Sealing water height = 50 mm

Drainage capacity according to EN 1253 at 10/20 mm water level above grate:

- For drain top minimum height: 0.90/1.61 l/s
- For drain top maximum height: 0.86/2.03 l/s

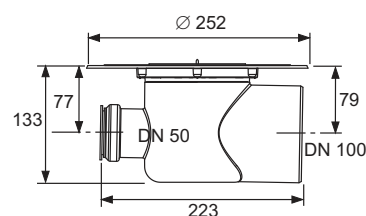
Delivery includes protective cap for construction, protective foil for construction, and assembly instructions.

Please order separately – depending on seal type:

- Seal System sealing sleeve for the execution of a tested and certified connection to the composite seal
- Compression ring set and cut-to-size sealing foil for clamped flange connections

Note:

Drainage capacity values measured with drain top and design grate 150 mm (Item No. 3660003), for further drain capacity values see the relevant chapter.



Item No.	DU 1	DU 2
3607500	1 pc.	81 pc.

TECEdrainpoint S drain DN 100 vertical with Seal System universal flange*

Floor drain set TECEdrainpoint S DN 100 vertical, made of plastic (PP). Fulfills the requirements of EN 1253-1.

- With universal flange to connect composite seals according to DIN 18534 or compression flange connections
- With removable odour trap
- Sealing water height = 50 mm

Drainage capacity according to EN 1253 at 10/20 mm water level above grate:

- For drain top minimum height: 0.76/1.42 l/s
- For drain top maximum height: 0.80/2.10 l/s

Delivery includes protective cap for construction, protective foil for construction, and assembly instructions.

Required core drill hole:

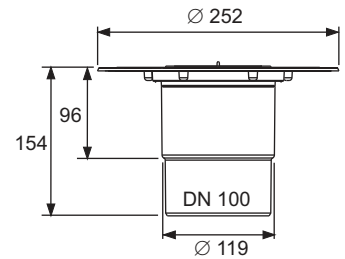
Diameter 132 mm

Please order separately – depending on seal type:

- Seal System sealing sleeve for the execution of an independently tested connection to the composite seal
- Compression ring set and cut-to-size sealing foil for clamped flange connections

Note:

Drainage capacity values measured with drain top and design grate 150 mm (Item No. 3660003), for further drain capacity values see the relevant chapter.



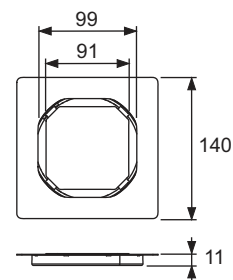
Item No.	DU 1	DU 2
3607600	1 pc.	48 pc.

TECEDrainpoint S – Drain tops

TECEDrainpoint S grate frame stainless steel, 100 mm, frameless tile base

Set consisting of tileable drain top and tileable frameless base, 100 x 100 mm made of stainless steel.

- Outer diameter = 110 mm
- Height = 1 mm (suitable for all tile/natural stone thicknesses)
- Grate frame made of drawn stainless steel material 1.4301 (304)
- Frameless tile base made of stainless steel, material 1.4301 (304), dimensions 91 x 91 mm, polished surface, load class K3 (load up to 300 kg)

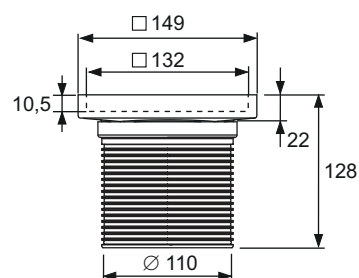


Item No.	DU 1
3660016	1 pc.

TECEDrainpoint S grate frame stainless steel, 150 mm, design "plate"

Set consisting of drain top with stainless steel grate frame and tileable channel "plate", 142 x 142 mm.

- Plastic drain top (ABS)
- O-ring seal
- Outer diameter = 110 mm
- Height adjustment when creating a composite sealing: 22 mm (without drain top) and 35-118 mm (with drain top); dimensions apply from the upper edge of the universal flange to the upper edge of the grate frame
- Tileable insert internal height = 10.5 mm
- Grate frame made of drawn stainless steel, material 1.4301 (304)
- Plate stainless steel tileable channel, material 1.4301 (304), dimension 142 x 142 mm, polished surface, load class K3 (load of up to 300 kg)

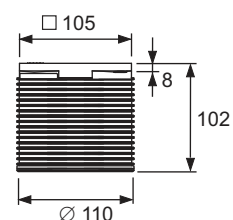


Item No.	DU 1
3660011	1 pc.

TECEDrainpoint S grate frame plastic, 100 mm, incl. design grate

Set consisting of drain top with grate frame (plastic) and TECEDrainpoint S design grate 100 x 100 mm.

- Drain top with grate frame made of plastic (ABS)
- O-ring seal
- Outer diameter = 110 mm
- Height adjustment = 8-92 mm
- TECEDrainpoint S design grate made of drawn stainless steel, material 1.4301 (304), dimensions 100 x 100 mm, polished surface, load class K3 (load up to 300 kg)

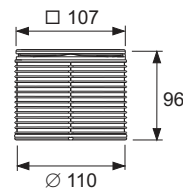


Item No.	DU 1
3660001	1 pc.

TECEdrainpoint S grate frame stainless steel, 100 mm, incl. design grate

Set consisting of drain top with grate frame (stainless steel) and TECEdrainpoint S design grate 100 x 100 mm.

- Drain top made of plastic (ABS)
- O-ring seal
- Outer diameter = 110 mm
- Height adjustment = 10-86 mm
- Grate frame made of drawn stainless steel, material 1.4301 (304)
- TECEdrainpoint S design grate made of drawn stainless steel, material 1.4301 (304), dimensions 100 x 100 mm, polished surface, load class K3 (load up to 300 kg)

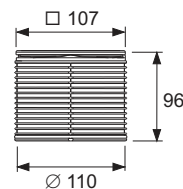


Item No.	DU 1
3660002	1 pc.

TECEdrainpoint S grate frame stainless steel, 100 mm, incl. design grate, screw-down

Set consisting of drain top with grate frame (stainless steel) and TECEdrainpoint S design grate 100 x 100 mm.

- Drain top made of plastic (ABS)
- O-ring seal
- Outer diameter = 110 mm
- Height adjustment = 10-86 mm
- Grate frame made of drawn stainless steel, material 1.4301 (304)
- TECEdrainpoint S design grate made of drawn stainless steel, material 1.4301 (304), dimensions 100 x 100 mm, polished surface, load class K3 (load up to 300 kg)
- Two stainless steel countersunk screws

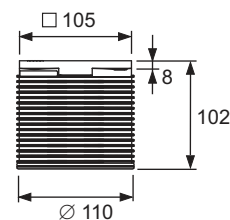


Item No.	DU 1
3660009	1 pc.

TECEdrainpoint S grate frame plastic, 100 mm, incl. design grate, with factory fitted Seal System sealing sleeve*

Drain top with grate frame made of plastic and factory-fitted Seal System sealing sleeve, for establishing a DIN 18534-compliant connection to the composite seal and TECEdrainpoint S design grate 100 x 100 mm.

- Drain top with grate frame made of plastic (ABS)
- O-ring seal
- Factory-fitted sealing sleeve with Seal System
- Outer diameter = 110 mm
- Height adjustment = 10-92 mm
- TECEdrainpoint S design grate made of drawn stainless steel, material 1.4301 (304), dimensions 100 x 100 mm, polished surface, load class K3 (load-bearing capacity up to 300 kg)
- Formwork element made of EPS as placeholder for the drain top to use when laying the screed
- For floor coverings from 8 to 25 mm (incl. glue bed)



Item No.	DU 1
3660020	1 pc.

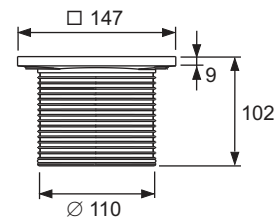
* Information on Seal System can be found online at www.sealsystem.net.

TECEDrainpoint S – Drain tops

TECEDrainpoint S grate frame plastic, 150 mm, incl. design grate

Set consisting of drain top with grate frame (plastic) and TECEDrainpoint S design grate 142 x 142 mm.

- Drain top with grate frame made of plastic (ABS)
- O-ring seal
- Outer diameter = 110 mm
- Height adjustment = 12-92 mm
- TECEDrainpoint S design grate made of drawn stainless steel, material 1.4301 (304), dimensions 142 x 142 mm, polished surface, load class K3 (load up to 300 kg)

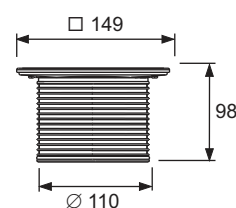


Item No.	DU 1
3660003	1 pc.

TECEDrainpoint S grate frame stainless steel, 150 mm, incl. design grate

Set consisting of drain top with grate frame (stainless steel) and TECEDrainpoint S design grate 142 x 142 mm.

- Drain top made of plastic (ABS)
- O-ring seal
- Outer diameter = 110 mm
- Height adjustment = 12-88 mm
- Grate frame made of drawn stainless steel, material 1.4301 (304)
- TECEDrainpoint S design grate made of drawn stainless steel, material 1.4301 (304), dimensions 142 x 142 mm, polished surface, load class K3 (load up to 300 kg)

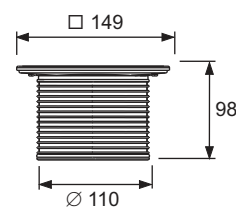


Item No.	DU 1
3660004	1 pc.

TECEDrainpoint S grate frame stainless steel, 150 mm, incl. design grate, screw-down

Set consisting of drain top with grate frame (stainless steel) and TECEDrainpoint S design grate 142 x 142 mm.

- Drain top made of plastic (ABS)
- O-ring seal
- Outer diameter = 110 mm
- Height adjustment = 12-88 mm
- Grate frame made of drawn stainless steel, material 1.4301 (304)
- TECEDrainpoint S design grate made of drawn stainless steel, material 1.4301 (304), dimensions 142 x 142 mm, polished surface, load class K3 (load up to 300 kg)
- Two stainless steel countersunk screws

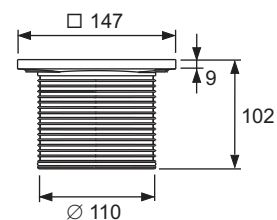


Item No.	DU 1
3660010	1 pc.

TECEDrainpoint S grate frame plastic, 150 mm, incl. design grate, with factory fitted Seal System sealing sleeve*

Drain top with grate frame made of plastic and factory-fitted Seal System sealing sleeve, for establishing a DIN 18534-compliant connection to the composite seal and TECEDrainpoint S design grate 142 x 142 mm.

- Drain top with grate frame made of plastic (ABS)
- O-ring seal
- Factory-fitted sealing sleeve with Seal System
- Outer diameter = 110 mm
- Height adjustment = 12-92 mm
- TECEDrainpoint S design grate made of drawn stainless steel, material 1.4301 (304), dimensions 142 x 142 mm, polished surface, load class K3 (load-bearing capacity up to 300 kg)
- Formwork element made of EPS as placeholder for the drain top to use when laying the screed
- For floor coverings from 8 to 25 mm (incl. glue bed)

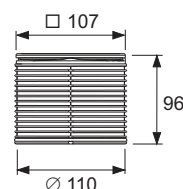


Item No.	DU 1
3660021	1 pc.

TECEDrainpoint S grate frame stainless steel, 100 mm, incl. design grate "quadratum"

Set drain top with stainless steel grate frame and "quadratum" design grate 100 x 100 mm.

- Drain top made of plastic (ABS)
- O-ring seal
- Outer diameter = 110 mm
- Height adjustment = 10-86 mm
- Grate frame made of drawn stainless steel, material 1.4301 (304)
- Design grate "quadratum" made of stainless steel, material 1.4301 (304), dimensions 100 x 100 mm, polished surface, load class L 15 (load up to 1500 kg)
- Slip resistance evaluation group B for wet loaded barefoot areas, according to DIN 51097

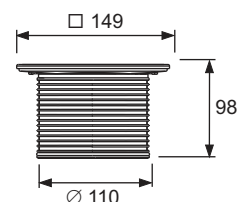


Item No.	DU 1
3660007	1 pc.

TECEDrainpoint S grate frame stainless steel, 150 mm, incl. design grate "quadratum"

Set drain top with stainless steel grate frame and "quadratum" design grate 142 x 142 mm.

- Drain top made of plastic (ABS)
- O-ring seal
- Outer diameter = 110 mm
- Height adjustment = 12-88 mm
- Grate frame made of drawn stainless steel, material 1.4301 (304)
- Design grate "quadratum" made of stainless steel, material 1.4301 (304), dimensions 142 x 142 mm, polished surface, load class L 15 (load up to 1500 kg)
- Slip resistance evaluation group B for wet loaded barefoot areas, according to DIN 51097



Item No.	DU 1
3660008	1 pc.

* Information on Seal System can be found online at www.sealsystem.net.

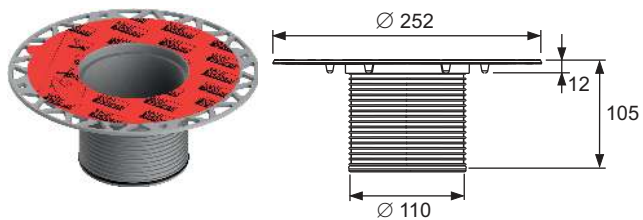
TECEdrainpoint S – Drain tops

TECEdrainpoint S

TECEdrainpoint S raising element with Seal System universal flange*

Drain top made of plastic with universal flange made of plastic (PP) for composite or clamped flange seals.

- With universal flange to connect composite seals according to DIN 18534 or adhesive flange connections
- Incl. O-ring seal
- Outer diameter = 110 mm
- Height adjustment = 12-95 mm



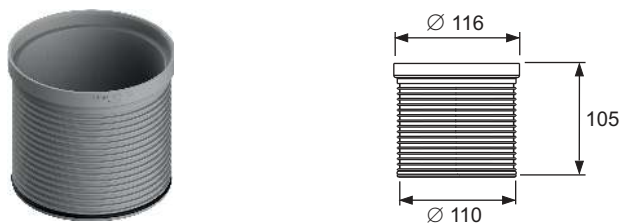
Item No.	DU 1
3660005	1 pc.



TECEdrainpoint S extension

Drain top extension made of plastic (ABS).

- With O-ring seal
- Outer diameter = 110 mm
- Height adjustment = 14-95 mm

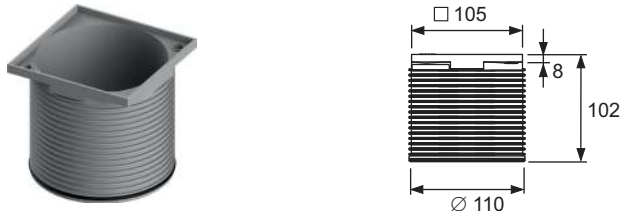


Item No.	DU 1
3660006	1 pc.

TECEdrainpoint S grate frame plastic, 100 mm, without grate

Consisting of drain top with grate frame (plastic) without grate.

- Drain top with grate frame made of plastic (ABS)
- O-ring seal
- Outer diameter = 110 mm
- Height adjustment range = 10-92 mm

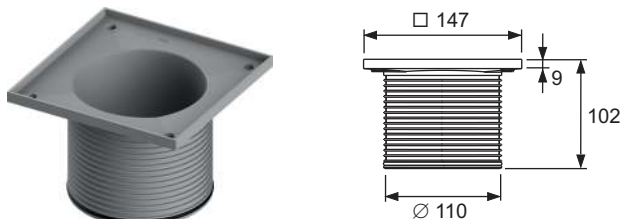


Item No.	DU 1
3660018	1 pc.

TECEdrainpoint S grate frame plastic, 150 mm, without grate

Drain top with grate frame (plastic) without grate.

- Drain top made of plastic (ABS)
- O-ring seal
- Outer diameter = 110 mm
- Height adjustment range = 10-92 mm

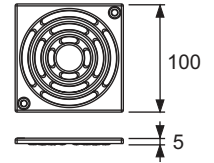


Item No.	DU 1
3660019	1 pc.

TECEdrainpoint S design grate stainless steel, 100 mm, screw-down

Design grate TECEdrainpoint S 100 x 100 mm made of drawn stainless steel, material 1.4301 (304), screw-down.

- Dimensions = 100 x 100 mm (outer dimensions)
- Polished surface
- Load class K3 (load up to 300 kg)
- Incl. two stainless steel countersunk screws and self-cutting threaded bushes

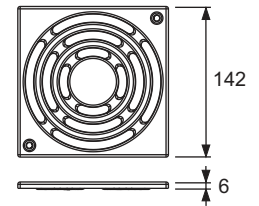


Item No.	DU 1
3665000	1 pc.

TECEdrainpoint S design grate stainless steel, 150 mm, screw-down

Design grate TECEdrainpoint S 142 x 142 mm made of drawn stainless steel, material 1.4301 (304), screw-down.

- Dimensions = 142 x 142 mm (outer dimensions)
- Polished surface
- Load class K3 (load up to 300 kg)
- Incl. two stainless steel countersunk screws and self-cutting threaded bushes

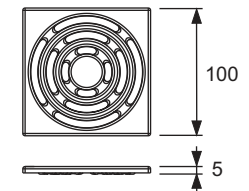


Item No.	DU 1
3665001	1 pc.

TECEdrainpoint S design grate stainless steel, 100 mm

Design grate TECEdrainpoint S 100 x 100 mm made of drawn stainless steel, material 1.4301 (304).

- Dimensions = 100 x 100 mm (outer dimensions)
- Polished surface
- Load class K3 (load up to 300 kg)

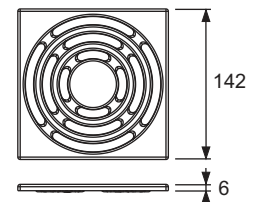


Item No.	DU 1
3665002	1 pc.

TECEdrainpoint S design grate stainless steel, 150 mm

Design grate TECEdrainpoint S 142 x 142 mm made of drawn stainless steel, material 1.4301 (304).

- Dimensions = 142 x 142 mm (outer dimensions)
- Polished surface
- Load class K3 (load up to 300 kg)



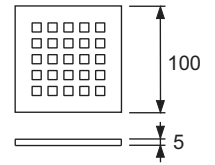
Item No.	DU 1
3665003	1 pc.

TECEDrainpoint S – Grates

TECEDrainpoint S design grate "quadratum" stainless steel, 100 mm

Design grate "quadratum" TECEDrainpoint S 100 x 100 mm, made of stainless steel, material 1.4301 (304).

- Dimensions = 100 x 100 mm (outer dimensions)
- Polished surface
- Load class L15 (load up to 1500 kg)
- Slip resistance evaluation group B for wet loaded barefoot areas, according to DIN 51097

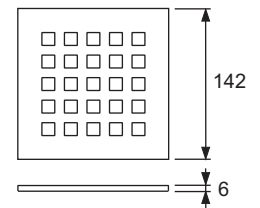


Item No.	DU 1
3665006	1 pc.

TECEDrainpoint S design grate "quadratum" stainless steel, 150 mm

Design grate "quadratum" TECEDrainpoint S 142 x 142 mm, made of stainless steel, material 1.4301 (304).

- Dimensions = 142 x 142 mm (outer dimensions)
- Polished surface
- Load class L15 (load up to 1500 kg)
- Slip resistance evaluation group B for wet loaded barefoot areas, according to DIN 51097



Item No.	DU 1
3665009	1 pc.

TECEdrainpoint S fire protection set FireStop EI 120 DN 50

Fire protection set for direct installation at the TECEdrainpoint S DN 50 drain vertical, for highly fire resistant partitioning of ceiling bushings in solid ceilings for up to 120 minutes. Classification in accordance with EN 13501 for fire protection class EI 120-U/C and E 120-U/C, European technical approval (ETA-11/0437), a general type approval has been applied for.

Set consists of fire protection sleeve, 2 cross-recessed screws, identification plate and 150 mm DN 50 PP-HT pipe to EN 1451.

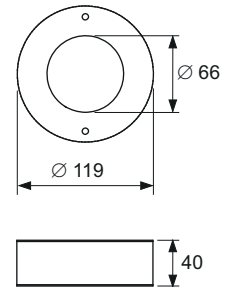
Required core drill hole:

Diameter 120 mm (min = 119 mm, max = 123 mm)

Application area:

solid ceilings from 150-325 mm ceiling thickness

No grouting or filling of the gap is necessary.



Item No.	DU 1	DU 2
3690050	1 pc.	50 pc.

TECEdrainpoint S fire protection sleeve DN 70/DN 100

Fire protection sleeve for assembly under the ceiling, using vertical TECEdrainpoint S floor drains DN 70 and DN 100 together with a PP-HT drain pipe in accordance with EN 1451. For highly fire resistant partitioning of the ceiling bushing in solid ceilings for up to 120 minutes.

Classification according to EN 13501 for fire protection class EI 120-U/U, European Technical Approval (ETA-18/0537), a general type approval (aBG) has been applied for.

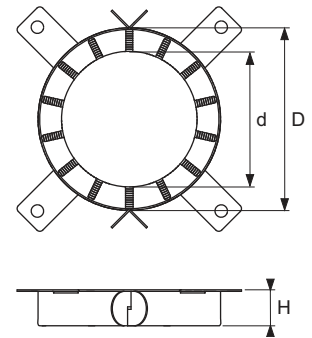
Required core drill hole:

- DN 70: Diameter 122 mm
- DN 100: Diameter 132 mm

Application area:

solid ceilings ≥ 200 mm ceiling thickness

No grouting or filling of the gap is necessary.



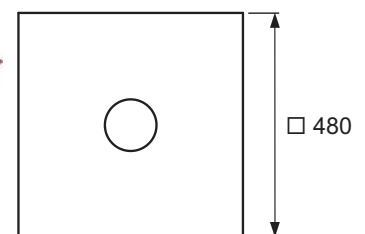
Version	D	d	H	Item No.	DU 1	DU 2
DN 70	132 mm	94 mm	26,6 mm	3690070	1 pc.	10 pc.
DN 100	155 mm	114 mm	26,6 mm	3690100	1 pc.	10 pc.

TECEdrainpoint S Seal System sealing sleeve for composite seals*

Seal System sealing sleeve for the execution of an independently tested connection of TECEdrainpoint S drains to the composite seal.

Consisting of:

- PP fleece (top and underside) and inner waterproof PE foil
- Dimensions = 480 x 480 mm



Item No.	DU 1
3690004	1 pc.



* Information on Seal System can be found online at www.sealsystem.net.

TECEDrainpoint S – Accessories

TECEDrainpoint S compression ring set stainless steel

Compression sealing ring set for TECEDrainpoint S drains to create clamped flange connections.

Consisting of:

- Compression ring made of stainless steel, material 1.4301 (304) with pre-drilled hole circle
- Sealing ring made of cellular rubber
- Six stainless steel screws

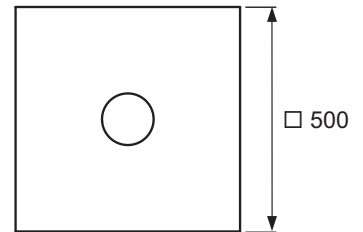


Item No.	DU 1
3690003	1 pc.

TECEDrainpoint S cut-to-size sealing foil EPDM for clamped flange connections

Sealing sleeve for TECEDrainpoint S drains, for joining bitumen membrane sheets, polymer bitumen membrane sheets or EPDM sealing strips using hot-air welding or full-area welding. The sealing sleeve is fixed on the universal flange with the compression ring set.

- Material: EPDM with glass cloth reinforcement, underside with polymer-modified bitumen layer and fine quartz coating
- Dimensions = 500 x 500 mm
- Material thickness = 3.1 mm
- Manufacturer: Phoenix Restrix MB



Please order separately:

- Compression ring set (Item No. 3690003)

Item No.	DU 1
3690006	1 pc.

TECEDrainpoint S mechanical odour trap

Mechanical odour trap with pendulum flap for TECEDrainpoint S drains as odour and vermin barrier. Suitable to retrofit to all TECEDrainpoint S floor drains.

Note:

Drainage capacity according to EN 1253 for 10/20 mm backwater height above grate using two examples:

TECEDrainpoint S 110 drain set super flat with design grate 100 x 100 mm (Item No. 3601100):

- For drain top minimum height: 0.54/0.60 l/s
- For drain top maximum height: 0.66/1.00 l/s

TECEDrainpoint S 120 drain set standard with design grate 100 x 100 mm (Item No. 3601200):

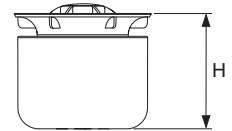
- For drain top minimum height: 0.66/1.00 l/s
- For drain top maximum height: 0.76/1.25 l/s



Item No.	DU 1	DU 2
3695007	1 pc.	60 pc.

TECEdrainpoint S membrane odour trap

Odour trap for TECEdrainpoint S drains made of plastic (PP) with inner sealing lip membrane as protection against evaporation, barrier against odours and vermin, water seal and sealing lip membrane provide two-stage trap effect. Suitable to retrofit to all TECEdrainpoint S floor drains.



Version	H	Item No.	DU 1
For drain DN 50 extra-flat	50 mm	3695002	1 pc.
For drains DN 50 standard and vertical and DN 70	83 mm	3695005	1 pc.
For drains DN 100	117 mm	3695006	1 pc.

TECEdrainpoint S hair trap

Hair trap made of plastic, for insertion in the TECEdrainpoint S drain.



Item No.	DU 1	DU 2
3690005	1 pc.	60 pc.

TECEdrainpoint S assembly feet, sound-insulated

Assembly feet for TECEdrainpoint S drains with universal flange to make it easy to adjust height and fix in position during the bare-wall installation stage.

Adjustment range lower edge of feet to the upper edge of universal flange: 64-165 mm

Consisting of 4 assembly feet incl. sound-proofing element and mounting material.



Item No.	DU 1	DU 2
3690007	1 set	10 set

TECE PP-HT adapter on PVC drain pipes

Adapter to connect TECEdrainline and TECEdrainpoint S drains to PVC waste water pipes.



Dimension	Item No.	DU 1	DU 2	DU 3
DN 40/DN 40	3690000	1 pc.	70 pc.	1120 pc.
DN 50/DN 40	3690001	1 pc.	70 pc.	1120 pc.
DN 50/DN 50	3690002	1 pc.	70 pc.	1120 pc.

TECE adapter DN 50/2"

Adapter to connect TECEdrainline, TECEdrainpoint S and TECEdrainprofile drains to 2" PVC waste water pipes in accordance with BS5255.



Item No.	DU 1	DU 2
669012	1 pc.	10 pc.

TECEdrainpoint S – Accessories

TECEdrainpoint S

TECE sound insulation mat Drainbase

Sound insulation mat for assembly under floating screed in the area of floor-level showers or throughout the bathroom. To reduce plumbing noise and provide impact noise insulation for renovations and new buildings.

Made from recycled high-tensile rubber granules bound with PUR elastomer. Meets enhanced sound insulation requirements for installation noise level according to DIN 4109-5, issued 2020-08 and the highest sound insulation level SSt III according to VDI 4100, issued 2012-10 (sound test verification available on request).

- Form of delivery: 1.25 m x 1.25 m x 6 mm
- Fire class: B2 (DIN 4102)
- Thermal resistance: 0.05 (m²K)/W
- Compression at 15 t/m²: 0.6 mm
- Impact noise reduction: ΔLw= 20 dB(A) (for 50 mm screed)



Item No.	DU 1	DU 2
660001	1 pc.	16 pc.

TECE sound insulation mat Drainbase, roll

Sound insulation mat for assembly under floating screed in the area of floor-level showers or throughout the bathroom. To reduce plumbing noise and provide impact noise insulation for renovations and new buildings.

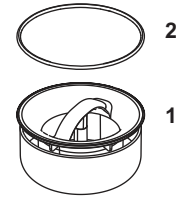
Made from recycled high-tensile rubber granules bound with PUR elastomer. Meets enhanced sound insulation requirements for installation noise level according to DIN 4109-5, issued 2020-08 and the highest sound insulation level SSt III according to VDI 4100, issued 2012-10 (sound test verification available on request).

- Form of delivery: 8.0 m x 1.25 m x 6 mm (roll, approx. 50 kg)
- Fire class: B2 (DIN 4102)
- Thermal resistance: 0.05 (m²K)/W
- Compression at 15 t/m²: 0.6 mm
- Impact noise reduction: ΔLw= 20 dB(A) (for 50 mm screed)



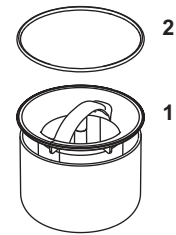
Item No.	DU 1
660002	8 m

- 3601050 – TECEDrainpoint S 50 drain set extra-flat
- 3601100 – TECEDrainpoint S 110 drain set extra-flat with Seal System universal flange
- 3601102 – TECEDrainpoint S 112 drain set extra-flat with Seal System universal flange and stainless steel grate frame
- 3601108 – TECEDrainpoint S 116 drain set extra flat with Seal System universal flange, tileable channel "plate" 150 mm



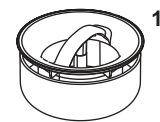
Pos.	Item No.	Designation	DU 1
1	3695000	Odour trap superflat made of PP for horizontal outlets DN 50 superflat, height 50 mm	1 pc.
2	3695003	O-ring seal for drain top with 110 mm	1 pc.

- 3601200 – TECEDrainpoint S 120 drain set standard with Seal System universal flange
- 3601202 – TECEDrainpoint S 122 drain set standard with Seal System universal flange and stainless steel grate frame
- 3601300 – TECEDrainpoint S 130 drain set vertical with Seal System universal flange



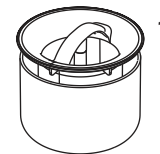
Pos.	Item No.	Designation	DU 1
1	3695001	Odour trap standard made of PP for horizontal and vertical outlets DN 50 standard and DN 70, height 83 mm	1 pc.
2	3695003	O-ring seal for drain top with 110 mm	1 pc.

- 3601400 – TECEDrainpoint S drain DN 50 extra-flat with Seal System universal flange
- 3601401 – TECEDrainpoint S drain DN 50 terrace with Seal System universal flange



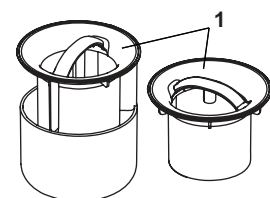
Pos.	Item No.	Designation	DU 1
1	3695000	Odour trap superflat made of PP for horizontal outlets DN 50 superflat, height 50 mm	1 pc.

- 3601500 – TECEDrainpoint S drain DN 50 standard with Seal System universal flange
- 3601600 – TECEDrainpoint S drain DN 50 vertical with Seal System universal flange
- 3603500 – TECEDrainpoint S drain DN 70 with Seal System universal flange
- 3603600 – TECEDrainpoint S drain DN 70 vertical with Seal System universal flange



Pos.	Item No.	Designation	DU 1
1	3695001	Odour trap standard made of PP for horizontal and vertical outlets DN 50 standard and DN 70, height 83 mm	1 pc.

- 3607500 – TECEDrainpoint S drain DN 100 with Seal System universal flange
- 3607600 – TECEDrainpoint S drain DN 100 vertical with Seal System universal flange



Pos.	Item No.	Designation	DU 1
1	3695004	Odour trap DN 100, height 117 mm	1 pc.

TECEDrainpoint S grate frame stainless steel, 100 mm, frameless tile base



Pos.	Item No.	Designation	DU 1
1	668016	Spacer clip	10 pc.

TECEDrainpoint S – Spare parts

- 3660011 – TECEDrainpoint S grate frame stainless steel, 150 mm, design "plate"
- 3660001 – TECEDrainpoint S grate frame plastic, 100 mm, incl. design grate
- 3660002 – TECEDrainpoint S grate frame stainless steel, 100 mm, incl. design grate
- 3660009 – TECEDrainpoint S grate frame stainless steel, 100 mm, incl. design grate, screw-down
- 3660003 – TECEDrainpoint S grate frame plastic, 150 mm, incl. design grate
- 3660004 – TECEDrainpoint S grate frame stainless steel, 150 mm, incl. design grate
- 3660010 – TECEDrainpoint S grate frame stainless steel, 150 mm, incl. design grate, screw-down
- 3660007 – TECEDrainpoint S grate frame stainless steel, 100 mm, incl. design grate "quadratum"
- 3660008 – TECEDrainpoint S grate frame stainless steel, 150 mm, incl. design grate "quadratum"
- 3660005 – TECEDrainpoint S raising element with Seal System universal flange
- 3660006 – TECEDrainpoint S extension
- 3660019 – TECEDrainpoint S grate frame plastic, 150 mm, without grate

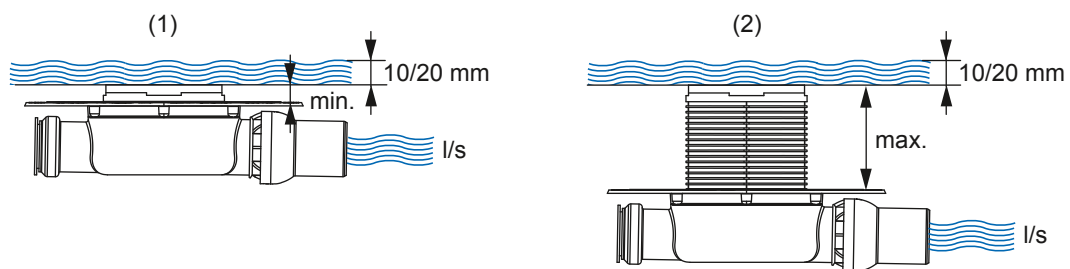


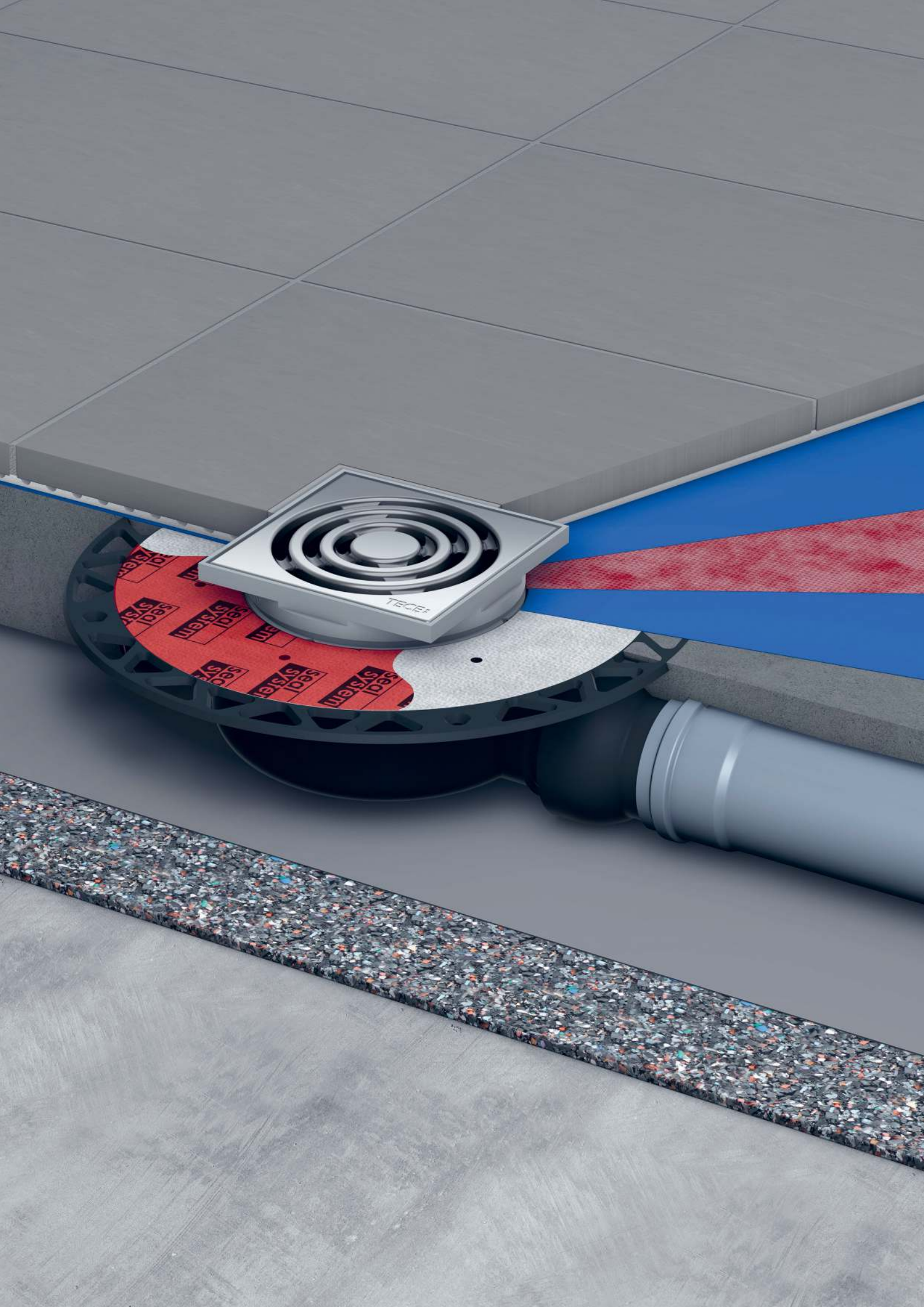
Pos.	Item No.	Designation	DU 1
1	3695003	O-ring seal for drain top with 110 mm	1 pc.

Drainage capacity TECEdrainpoint S

(Specified in l/s, according to DIN EN 1253)

Drain Designation (Order number)	Drain top and cover (order number)	Minimum height of drain top (1)		Maximum height of drain top (2)	
		Water level above grate			
		10 mm	20 mm	10 mm	20 mm
DN 50 extra-flat (3601400)	Top with design grate, 100 mm (3660001, 3660002, 3660009)	0.52	0.61	0.69	1.12
	Top with design grate “quadratum”, 100 mm (3660007)	0.44	0.69	0.53	0.85
	Tileable top “frameless”, 100 mm (3660016 + 3660006)	0.49	0.55	0.61	1.00
	Top with tileable frame base “plate”, 150 mm (3660011)	0.64	0.70	0.98	1.04
DN 50 standard (3601500)	Top with design grate, 100 mm (3660001, 3660002, 3660009)	0.52	0.89	0.64	1.35
	Top with design grate “quadratum”, 100 mm (3660007)	0.42	0.81	0.64	0.93
	Tileable top “frameless”, 100 mm (3660016 + 3660006)	0.45	0.75	0.79	1.07
	Top with tileable frame base “plate”, 150 mm (3660011)	0.91	0.98	1.33	1.46
DN 50 vertical (3601600)	Top with design grate, 100 mm (3660001, 3660002, 3660009)	0.64	1.36	0.70	1.56
	Top with design grate “quadratum”, 100 mm (3660007)	0.56	1.02	0.67	1.46
	Tileable top “frameless”, 100 mm (3660016 + 3660006)	0.62	0.96	0.89	1.48
	Top with tileable frame base “plate”, 150 mm (3660011)	1.33	1.41	1.63	1.69
DN 50 terrace (3601401)	Top with design grate, 100 mm (3660001, 3660002, 3660009)	0.66	1.22	0.50	1.51
	Top with design grate “quadratum”, 100 mm (3660007)	0.48	0.89	0.56	1.53
	Tileable top “frameless”, 100 mm (3660016 + 3660006)	0.71	0.97	0.81	1.07
	Top with tileable frame base “plate”, 150 mm (3660011)	0.97	1.46	0.86	1.27
DN 70 horizontal (3603500)	Top with design grate, 150 mm (3660003, 3660004, 3660010)	0.62	1.22	0.87	1.74
	Top with design grate “quadratum”, 150 mm (3660008)	0.76	1.13	0.78	1.54
	Tileable top “frameless”, 100 mm (3660016 + 3660006)	0.64	0.84	0.97	1.54
	Top with tileable frame base “plate”, 150 mm (3660011)	1.19	1.29	1.50	1.72
DN 70 vertical (3603600)	Top with design grate, 150 mm (3660003, 3660004, 3660010)	0.47	1.81	0.63	1.84
	Top with design grate “quadratum”, 150 mm (3660008)	0.79	1.67	0.68	1.99
	Tileable top “frameless”, 100 mm (3660016 + 3660006)	0.64	0.85	0.80	2.18
	Top with tileable frame base “plate”, 150 mm (3660011)	1.62	1.97	2.24	2.42
DN 100 horizontal (3607500)	Top with design grate, 150 mm (3660003, 3660004, 3660010)	0.90	1.61	0.86	2.03
	Top with design grate “quadratum”, 150 mm (3660008)	0.77	1.48	0.79	1.98
	Tileable top “frameless”, 100 mm (3660016 + 3660006)	0.46	1.12	0.58	1.81
	Top with tileable frame base “plate”, 150 mm (3660011)	1.36	1.48	1.60	2.06
DN 100 vertical (3607600)	Top with design grate, 150 mm (3660003, 3660004, 3660010)	0.76	1.42	0.80	2.10
	Top with design grate “quadratum”, 150 mm (3660008)	0.70	1.33	0.74	2.13
	Tileable top “frameless”, 100 mm (3660016 + 3660006)	0.76	1.06	0.59	1.86
	Top with tileable frame base “plate”, 150 mm (3660011)	1.22	1.36	1.72	2.20





Drainage Systems

TECEshowerpoint

TECEshowerpoint





	Page
Drain sets	352
Drain tops	354
Spare parts	355

TECEshowerpoint – Drain sets

TECEshowerpoint drain set 100 mm, cover "2 in 1", without flange

Floor drain set 100 x 100 mm without flange.

Consisting of:

- Top made of stainless steel 1.4301 (304) for installation in the screed for direct installation on a DN 50 waste water pipe
- Reversible cover "2 in 1" (stainless steel surface or tileable)
- Membrane odour trap
- Hair trap

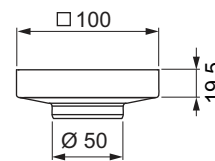
External dimension of attachment (without flange): 100 x 100 mm

Internal dimensions of grate for tile: 86 x 86 mm

Outer diameter spigot: 50 mm

Caution:

Not compatible with other TECEdrainpoint S products.



Item No.	DU 1
15204001	1 set

TECEshowerpoint drain set 150 mm, cover "2 in 1", without flange

Floor drain set 150 x 150 mm without flange.

Consisting of:

- Top made of stainless steel 1.4301 (304) for installation in the screed for direct installation on a DN 100 waste water pipe
- Reversible cover "2 in 1" (stainless steel surface or tileable)
- Membrane odour trap
- Hair trap

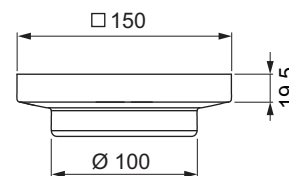
External dimension of attachment (without flange): 150 x 150 mm

Internal dimensions of grate for tile: 136 x 136 mm

Outer diameter spigot: 100 mm

Caution:

Not compatible with other TECEdrainpoint S products.



Item No.	DU 1
15204003	1 set

TECEshowerpoint drain set 100 mm for natural stone, with flange

Floor drain set 100 x 100 mm with flange.

Consisting of:

- Top made of stainless steel 1.4301 (304) for installation in the screed for direct installation on a DN 50 waste water pipe
- Tileable stainless steel grate
- Membrane odour trap
- Hair trap

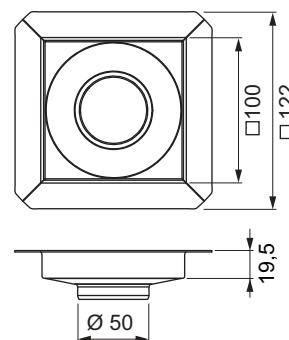
External dimension of attachment (with flange): 122 x 122 mm

Outer dimensions of grate for natural stone: 88 x 88 mm

Outer diameter spigot: 50 mm

Caution:

Not compatible with other TECEdrainpoint S products.



Item No.	DU 1
15204002	1 set

TECEshowerpoint drain set 150 mm for natural stone, with flange

Floor drain set 150 x 150 mm with flange.

Consisting of:

- Top made of stainless steel 1.4301 (304) for installation in the screed for direct installation on a DN 100 waste water pipe
- Tileable stainless steel grate
- Membrane odour trap
- Hair trap

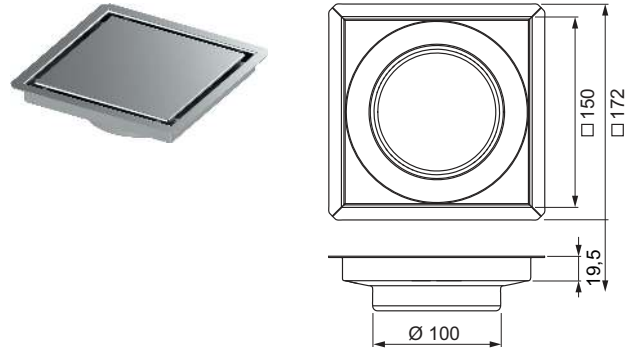
External dimension of attachment (with flange): 172 x 172 mm

Outer dimensions of grate for natural stone: 138 x 138 mm

Outer diameter spigot: 100 mm

Caution:

Not compatible with other TECEdrainpoint S products.



Item No.

15204004

DU 1

1 set

TECEshowerpoint – Drain tops

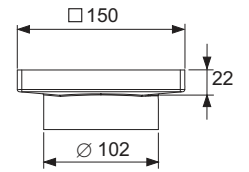
TECEshowerpoint grate frame stainless steel, 150 mm, design "plate"

Set consisting of drain top with stainless steel grate frame and tileable recess "plate", 142 x 142 mm to mount directly to a DN 100 mm drain pipe.

- Grate frame outer dimensions = 149 x 149 mm
- Outlet outer diameter = 102 mm
- Grate frame height (inserted) = 23 mm
- Inner height of tileable insert = 10.5 mm
- Grate frame made of drawn stainless steel, material 1.4301 (304)
- Tileable channel plate made of stainless steel, material 1.4301 (304), dimensions 142 x 142 mm, polished surface, load class K3 (load up to 300 kg)

Caution:

Not compatible with other TECEdrainpoint S products.



Item No.	DU 1
3660013	1 pc.

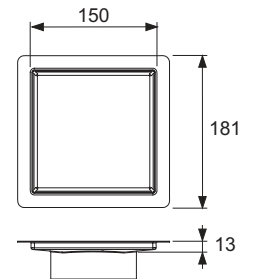
TECEshowerpoint grate frame stainless steel, 150 mm, frameless tile base

Set consisting of stainless steel top with frameless tile support, 150 x 150 mm to mount directly to a DN 100 mm drain pipe.

- Outer diameter = 102 mm
- Height = 2 mm (suitable for all tile/natural stone thicknesses)
- Grate frame made of drawn stainless steel
- Frameless tile base made of stainless steel, dimensions 134 x 134 mm, polished surface

Caution:

Not compatible with other TECEdrainpoint S products.

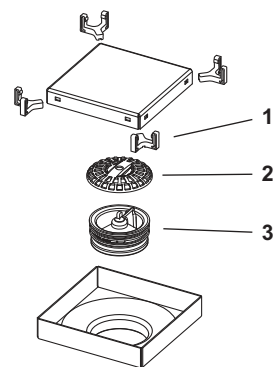


Item No.	DU 1
3660014	1 pc.

15204001 – TECeshowerpoint drain set 100 mm, cover "2 in 1", without flange

15204002 – TECeshowerpoint drain set 100 mm for natural stone, with flange

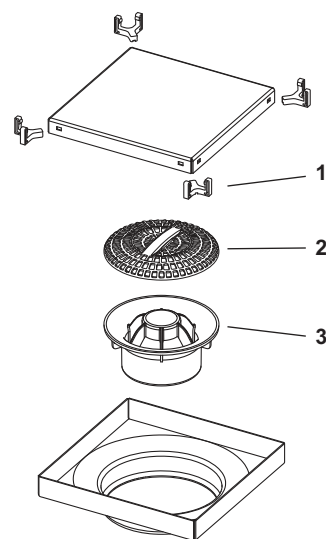
Pos.	Item No.	Designation	DU 1
1	15294000	Moulded feet for cover (4 pieces)	1 pc.
2	15294001	Hair trap for 100 mm	1 pc.
3	15294002	Membrane odour trap for 100 mm	1 pc.



15204003 – TECeshowerpoint drain set 150 mm, cover "2 in 1", without flange

15204004 – TECeshowerpoint drain set 150 mm for natural stone, with flange

Pos.	Item No.	Designation	DU 1
1	15294000	Moulded feet for cover (4 pieces)	1 pc.
2	3690005	Hair trap	1 pc.
3	15294003	Membrane odour trap for 150 mm	1 pc.

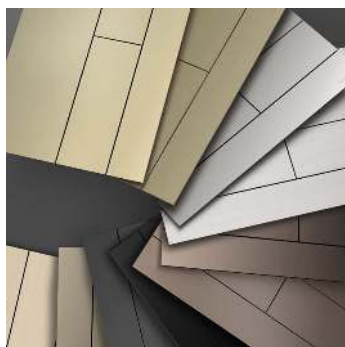




Annex

EXHIBITION SAMPLES

Exhibition samples



	Page
TECE sanitary ceramics	360
TECElux	361
Toilet flush plates	362
Urinal flush plates	366
TECEdrainway	368
TECEdrainprofile	369
TECEdrainline	370

We can provide you with the prices of the exhibition samples on request.

Exhibition samples – TECE sanitary ceramics

TECE shower toilet universal splash guard

NEW

Transparent plastic cover for displaying the shower function, suitable for all TECE shower toilet models.



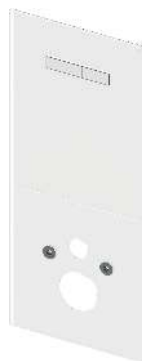
Item No.

9820717* **NEW**

TECElux flush plate exhibit glass with manual actuation

Upper glass facing with actuation unit for TECElux module with two actuation buttons in combination with lower glass facing.
 Dimensions: 430 x 1000 x 16 mm

Colour	Item No.
Polished white glass, polished white buttons	9650500
Polished white glass, bright chrome buttons	9650501
Polished black glass, bright chrome buttons	9650505



TECElux flush plate exhibit glass with electronic sen-Touch actuation

Upper glass facing for TECElux module with electronic sen-Touch actuation buttons in combination with lower toilet glass facing for standard toilet, power pack included in the delivery.
 Dimensions: 430 x 1000 x 16 mm

Colour	Item No.
Polished white glass	9650502
Polished black glass	9650504



TECElux flush plate exhibit glass with electronic sen-Touch actuation, for shower toilet seat

Upper glass flush plate for TECElux module with electronic sen-Touch actuation buttons in combination with lower toilet glass facing for shower toilet seat, power pack included in the delivery.
 Dimensions: 430 x 1000 x 16 mm

Colour	Item No.
Polished white glass	9650503



TECElux info board

TECElux explanation table for exhibitions, for combination with TECElux exhibition modules.
 Dimensions:
 120 x 320 x 3 mm (9650553)
 120 x 230 x 3 mm (9650554)

Version	Item No.
sen-Touch and ceramic-Air	9650553
Manual actuation	9650554



Exhibition samples – Toilet flush plates

TECElux Mini toilet flush plate exhibit

Power pack included in the delivery.

Dimensions: 220 x 150 x 5 mm

(0 mm installation height with flush-mounted installation)



Colour	Item No.
Polished white glass	9240565
Polished black glass	9240567

TECESquare II metal toilet flush plate exhibit with coloured surface

Dimensions: 220 x 150 x 3 mm



Colour	Item No.
Rusted steel	9240492
Brushed black chrome	9240590
Polished gold optic	9240592
Brushed brass (with anti-fingerprint)	9240496 NEW
Brushed bronze (with anti-fingerprint)	9240497 NEW
Brushed black (with anti-fingerprint)	9240498 NEW
Brushed cool nickel (with anti-fingerprint)	9240499 NEW

TECESquare II metal toilet flush plate exhibit

Dimensions: 220 x 150 x 3 mm



Colour	Item No.
Brushed stainless steel (with anti-fingerprint)	9240560
Bright chrome	9240561
Polished white	9240562
Matt white	9240568
Matt black	9240564

TECESquare II toilet flush plate exhibit, satined glass

Dimensions: 220 x 150 x 7 mm



Colour	Item No.
Satined white glass	9240493
Satined black glass	9240494
Satined sand beige glass	9240495

TECESquare toilet flush plate exhibit glass

Dimensions: 220 x 150 x 11 mm

(0 mm installation height with flush-mounted installation)



Colour	Item No.
Polished white glass, polished white buttons	9240530
Polished white glass, brushed stainless steel-look buttons (with anti-fingerprint)	9240536
Polished white glass, bright chrome buttons	9240531
Polished black glass, brushed stainless steel buttons (with anti-fingerprint)	9240532
Polished black glass, bright chrome buttons	9240538
Polished black glass, polished black buttons	9240537

TECEvelvet toilet flush plate exhibit

Dimensions: 220 x 150 x 5 mm
(0 mm installation height with flush-mounted installation)



Colour	Item No.
Black	9240583
Beige brown	9240584
Grey beige	9240913
Anthracite	9240912

TECEloop toilet flush plate exhibit glass/natural material

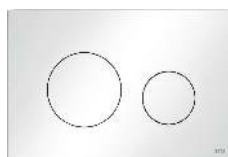
Dimensions: 220 x 150 x 11 mm
(0 mm installation height with flush-mounted installation)



Colour	Item No.
Polished white glass, polished white buttons	9240511
Polished white glass, matt chrome buttons	9240524
Polished white glass, bright chrome buttons	9240525
Polished white glass, brushed round stainless steel-look buttons (with anti-fingerprint)	9240550
Polished black glass, polished white buttons	9240515
Polished black glass, matt chrome buttons	9240516
Polished black glass, bright chrome buttons	9240517
Polished black glass, polished black buttons	9240518
Polished black glass, gold buttons	9240519
Polished ruby red glass (Alape), brushed round stainless steel-look buttons (with anti-fingerprint)	9240528
Polished ruby red glass (Alape), polished white buttons	9240551
Polished coffee brown glass, bright chrome buttons	9240542
Polished evening blue glass, polished white buttons	9240589
Slate slab, brushed round stainless steel-look buttons (with anti-fingerprint)	9240540*
Light concrete, brushed round stainless steel-look buttons (with anti-fingerprint)	9240586
White marble, bright chrome buttons	9240587
Oak, black matt button	9240588

TECEloop toilet flush plate exhibit plastic

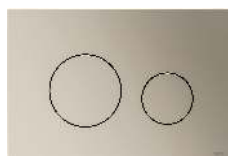
Dimensions: 220 x 150 x 5 mm



Colour	Item No.
Polished white	9240740
Matt white	9240478** NEW
Matt chrome	9240741
Matt black	9240742

TECEloop toilet flush plate exhibit plastic, metallic

Dimensions: 220 x 150 x 5 mm
(0 mm installation height for flush-mounted installation)



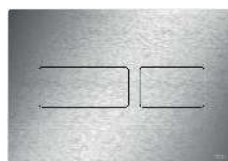
Colour	Item No.
Metallic brass	9240597
Metallic red bronze	9240598

Exhibition samples – Toilet flush plates

TECESolid toilet flush plate exhibit

Dimensions: 220 x 150 x 6 mm

Colour	Item No.
Polished white	9240572
Matt white	9240479* NEW
Bright chrome	9240571
Brushed stainless steel (with anti-fingerprint)	9240574



TECESolid toilet flush plate exhibit, with textured surface

Dimensions: 220 x 150 x 6 mm

Colour	Item No.
Brushed graphite with line structure (with anti-fingerprint)	9240490
Brushed brass with diamond structure (with anti-fingerprint)	9240491

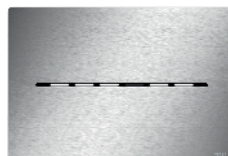


TECESolid toilet electronics exhibition plate

Power pack included in the delivery.

Dimensions: 220 x 150 x 6 mm

Colour	Item No.
Brushed stainless steel (with anti-fingerprint)	9240581

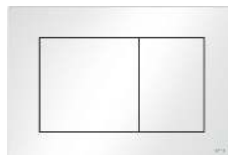


TECENow toilet flush plate exhibit

Dimensions: 220 x 150 x 5 mm

(0 mm installation height with flush-mounted installation)

Colour	Item No.
Polished white	9240555
Bright chrome	9240556
Matt chrome	9240557
Polished black	9240558
Matt black	9240908



TECENow toilet flush plate exhibit, metallic

Dimensions: 220 x 150 x 5 mm

(0 mm installation height for flush-mounted installation)

Colour	Item No.
Metallic nickel	9240594
Metallic graphite	9240595



TECE exhibition installation frame for flush-mounted installation, toilet

Exhibition installation frame for the flush-mounted installation of the TECElux Mini, TECEloop, TECEsquare and TECEnow toilet flush plates.

Dimensions: 225 x 155 x 15 mm



Colour	Item No.
White	9240543
Black	9240544
Bright chrome	9240522

Exhibition samples – Urinal flush plates

TECEfilo urinal exhibition flush plate

Dimensions:

- 100 x 150 x 7 mm (9242920)
- 100 x 150 x 9 mm (9242925)
- 100 x 150 x 6 mm (9242921, 9242930)



Colour	Item No.
Plastic polished white	9242920
Plastic bright chrome	9242921
Polished white glass	9242925
Brushed stainless steel (with anti-fingerprint)	9242930

TECEfilo-Velvet urinal flush plate exhibit

Dimensions: 104 x 124 x 6 mm



Colour	Item No.
Beige brown	9242942
Anthracite	9242943

TECEfilo-Solid urinal flush plate exhibit

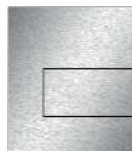
Dimensions: 104 x 124 x 6 mm



Colour	Item No.
Brushed stainless steel (with anti-fingerprint)	9242939

TECESquare urinal flush plate exhibit metal

Dimensions: 124 x 144 x 2 mm



Colour	Item No.
Brushed stainless steel (with anti-fingerprint)	9242533
Bright chrome	9242534
Polished white	9242535
Matt black	9242540

TECESquare urinal flush plate exhibit glass

Dimensions: 104 x 124 x 11 mm

(0 mm installation height with flush-mounted installation)



Colour	Item No.
Polished white glass, polished white button	9242530
Polished white glass, bright chrome button	9242531
Polished black glass, brushed stainless steel button (with anti-fingerprint)	9242532

TECEloop urinal flush plate exhibit glass

Dimensions: 104 x 124 x 11 mm
(0 mm installation height with flush-mounted installation)



Colour	Item No.
Polished white glass, polished white button	9242511
Polished white glass, matt chrome button	9242524
Polished white glass, bright chrome button	9242525
Polished black glass, polished white button	9242515
Polished black glass, matt chrome button	9242516
Polished black glass, bright chrome button	9242517
Polished black glass, polished black button	9242518

TECESolid urinal flush plate exhibit

Dimensions: 104 x 124 x 6 mm



Colour	Item No.
Brushed stainless steel (with anti-fingerprint)	9242574

TECEplanus urinal flush plate exhibit, electronic

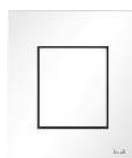
Dimensions: 100 x 120 x 12 mm



Colour	Item No.
Silk matt white	9242906
Brushed stainless steel	9242903
Bright chrome	9242904

TECENow urinal flush plate exhibit

Dimensions: 104 x 124 x 5 mm



Colour	Item No.
Polished white	9242536
Bright chrome	9242537
Matt chrome	9242538

TECE exhibition installation frame for flush-mounted installation, urinal

Exhibition installation frame for the flush-mounted installation of the TECEloop and TECESquare urinal flush panels.
Dimensions: 129 x 109 x 15 mm



Colour	Item No.
Bright chrome	9242522

Exhibition samples – TECEdrainway

TECEdrainway exhibition shower profile

NEW

Shower profile with shortened connector for installation in exhibition booths.

Consisting of:

- Stainless steel shower profile, material 1.4301 (304)
- Profile brackets and glazing blocks

Length: 1100 mm

Width: 30 mm

Height: 21 mm



Colour	Item No.
Brushed stainless steel	699000 NEW

TECEdrainprofile shower profile exhibit

Shower profile with profile cover on base body, for floor installation.

Consisting of:

- Profile and profile cover made of stainless steel, material 1.4301 (304)
- Base body made of wood

Length: 900 mm

Width: 55 mm

Height: 10 mm



Colour	Item No.
Brushed stainless steel	679000

TECEdrainprofile shower profile exhibit with black surface

Shower profile with profile cover on base body, for floor installation.

Consisting of:

- Shower profile and profile cover made of stainless steel with coloured PVD surface, material 1.4301 (304)
- Base body made of wood

Length: 900 mm

Width: 55 mm

Height: 10 mm



Surface	Colour	Item No.
Brushed	Black	679012

Exhibition samples – TECEdrainline

TECEdrainline sample channels, base body

Sample channel, 10 mm high base body, can be used as an exhibition tileable channel.

Length: 850 mm



Item No.

669002

Item No.		DU 1	DU 2	DU 3	Page
600700		1	40	-	287
600701		1	32	-	288
600702		1	49	-	284
600703		1	49	-	285
600705		1	40	-	289
600706		1	40	-	289
600707		1	49	-	286
600708		1	49	-	286
600710		1	-	-	292
600711		1	-	-	292
600751		1	-	-	293
600770		1	-	-	290
600772		1	-	-	290
600782		1	-	-	291
600783		1	-	-	291
600785		1	-	-	292
600786		1	-	-	292
600793		1	-	-	291
600794		1	-	-	291
600800		1	40	-	287
600801		1	32	-	288
600802		1	49	-	284
600803		1	49	-	285
600805		1	40	-	289
600806		1	40	-	289
600807		1	49	-	286
600808		1	49	-	286
600810		1	-	-	292
600811		1	-	-	292
600851		1	-	-	293
600870		1	-	-	290
600872		1	-	-	290
600882		1	-	-	291
600883		1	-	-	291
600885		1	-	-	292
600886		1	-	-	292
600893		1	-	-	291
600894		1	-	-	291
600900		1	40	-	287
600901		1	32	-	288
600902		1	49	-	284
600903		1	49	-	285
600905		1	40	-	289
600906		1	40	-	289
600907		1	49	-	286
600908		1	49	-	286
600910		1	-	-	292
600911		1	-	-	292
600951		1	-	-	293
600970		1	-	-	290

Item No.		DU 1	DU 2	DU 3	Page
600972		1	-	-	290
600982		1	-	-	291
600983		1	-	-	291
600985		1	-	-	292
600986		1	-	-	292
600993		1	-	-	291
600994		1	-	-	291
601000		1	40	-	287
601001		1	32	-	288
601002		1	49	-	284
601003		1	49	-	285
601005		1	40	-	289
601006		1	40	-	289
601007		1	49	-	286
601008		1	49	-	286
601010		1	-	-	292
601011		1	-	-	292
601051		1	-	-	293
601070		1	-	-	290
601072		1	-	-	290
601082		1	-	-	291
601083		1	-	-	291
601085		1	-	-	292
601086		1	-	-	292
601093		1	-	-	291
601094		1	-	-	291
601200		1	40	-	287
601201		1	32	-	288
601202		1	49	-	284
601203		1	49	-	285
601205		1	40	-	289
601206		1	40	-	289
601207		1	49	-	286
601208		1	49	-	286
601210		1	-	-	292
601211		1	-	-	292
601251		1	-	-	293
601270		1	-	-	290
601272		1	-	-	290
601282		1	-	-	291
601283		1	-	-	291
601285		1	-	-	292
601286		1	-	-	292
601293		1	-	-	291
601294		1	-	-	291
601500		1	40	-	287
601501		1	32	-	288
601505		1	40	-	289
601506		1	40	-	289
601510		1	-	-	292

Article quick search

Item No.		DU 1	DU 2	DU 3	Page
601511		1	-	-	292
601551		1	-	-	293
601570		1	-	-	290
601572		1	-	-	290
601582		1	-	-	291
601583		1	-	-	291
601585		1	-	-	292
601586		1	-	-	292
601593		1	-	-	291
601594		1	-	-	291
640427	NEW	1	-	-	295
640726		1	-	-	294
640826		1	-	-	294
640926		1	-	-	294
641024		1	-	-	266
641025		1	-	-	266
650000		1	360	-	297, 305
650001		1	288	-	297
650002		1	75	-	298
650003		1	175	-	298
650004		1	472	-	297
650700		1	40	-	296
650800		1	40	-	296
650900		1	40	-	296
651000		1	40	-	296
651200		1	40	-	296
651500		1	20	-	296
660001		1	16	-	259, 274, 300, 344
660002		8	-	-	259, 274, 301, 344
660003		1	45	-	299, 305
660004		1	30	-	299
660005		1	10	100	299, 315
660006		1	50	-	274, 299
660015		1	150	-	300
660016		1	100	-	300, 305
660017		1	100	-	300
660018		1	100	-	300
660019		3.9	31.2	-	300
660021		1	18	-	302
668010		1	-	-	306
668011		1	-	-	306
668012		1	-	-	303, 305, 306
668013		1	-	-	303, 305, 306
668014		1	100	-	303–307, 316
668016		10	-	-	303, 304, 306, 316, 345
668019		1	-	-	307
668020		1	-	-	304, 305, 307, 316

Item No.		DU 1	DU 2	DU 3	Page
668024		1	-	-	304
668025		1	-	-	306
668026		1	-	-	306, 316
668027		1	-	-	306, 316
668028		1	-	-	306, 316
668029		1	-	-	306
668030		1	-	-	306
668031		1	-	-	306
668032		1	-	-	305–307
668033		1	-	-	303
668034		1	40	-	303, 307
668035		1	-	-	307
668036		1	-	-	305
668037		1	-	-	305
668038		1	-	-	305
668039		1	-	-	304
668040		1	-	-	304
669002		1	-	-	370
669012		1	10	-	299, 343
670800		1	-	-	267
670801		1	-	-	269
670802		1	-	-	269
670803		1	-	-	269
670810		1	-	-	267
670812		1	-	-	269
670821		1	-	-	268
670900		1	-	-	267
670901		1	-	-	269
670902		1	-	-	269
670903		1	-	-	269
670910		1	-	-	267
670912		1	-	-	269
670921		1	-	-	268
671000		1	-	-	267, 275
671001		1	-	-	269
671002		1	-	-	269
671003		1	-	-	269
671010		1	-	-	267
671012		1	-	-	269
671021		1	-	-	268, 276
671200		1	-	-	267
671201		1	-	-	269
671202		1	-	-	269
671203		1	-	-	269
671210		1	-	-	267
671212		1	-	-	269
671221		1	-	-	268
671600		1	-	-	267
671621		1	-	-	268
673001		1	-	-	270, 275, 276

Item No.		DU 1	DU 2	DU 3	Page
673002		1	-	-	271
673003		1	-	-	272
674000		1	50	-	273, 275, 276
674001		1	18	-	273
674002		1	10	-	273
674006		1	40	-	273
675000		1	-	-	275, 276, 280
675001		1	-	-	276
675004		1	-	-	275-279
675005		1	-	-	277-279
675006		1	-	-	275-277
675008		1	-	-	278
675009		1	100	-	275-279
675010		1	-	-	277
675011		1	-	-	277
675012		1	-	-	277
675013		1	-	-	277
675014		1	-	-	277
675015		1	-	-	277
675016		1	8	-	275-279
675017		1	-	-	279
675018		1	-	-	279
675019		1	-	-	277, 280
675022		1	-	-	275, 276
675024		1	-	-	276, 277, 280
675025		1	-	-	277
679000		1	-	-	369
679012		1	-	-	369
691100	NEW	1	-	-	254
691120	NEW	1	-	-	254
691130	NEW	1	-	-	254
691140	NEW	1	-	-	254
691600	NEW	1	-	-	254
691620	NEW	1	-	-	254
691630	NEW	1	-	-	254
691640	NEW	1	-	-	254
693010	NEW	1	-	-	255
693020	NEW	1	-	-	256
693030	NEW	1	-	-	257
694000	NEW	1	-	-	258
694001	NEW	1	-	-	258
694002	NEW	1	50	-	258
694003	NEW	1	50	-	258
694004	NEW	1	50	-	258
694005	NEW	1	50	-	258
694006	NEW	1	50	-	258
694007	NEW	1	50	-	258
694008	NEW	1	-	-	258
694009	NEW	1	-	-	258
695000	NEW	1	-	-	260, 261

Item No.		DU 1	DU 2	DU 3	Page
695001	NEW	1	-	-	260
695002	NEW	1	-	-	260, 261
695003	NEW	1	-	-	260, 261
695004	NEW	1	-	-	260, 261
695005	NEW	1	-	-	260, 261
695006	NEW	1	-	-	261
695007	NEW	1	-	-	261
695008	NEW	1	-	-	261
695009	NEW	1	-	-	260
695010	NEW	1	-	-	260
695011	NEW	1	-	-	260
695012	NEW	1	-	-	260
695013	NEW	1	-	-	260
695014	NEW	1	-	-	260
695015	NEW	1	-	-	260
699000	NEW	1	-	-	368
3601050		1	112	-	320
3601100		1	84	-	320
3601102		1	84	-	322
3601104		1	24	-	327
3601105		1	84	-	321
3601106		1	84	-	323
3601107		1	24	-	328
3601108		1	84	-	323
3601200		1	84	-	324
3601202		1	84	-	325
3601300		1	60	-	326
3601400		1	120	-	329
3601401		1	120	-	330
3601404		1	120	-	329
3601500		1	72	-	330
3601600		1	48	-	331
3603500		1	72	-	331
3603600		1	48	-	332
3607500		1	81	-	332
3607600		1	48	-	333
3660001		1	-	-	334
3660002		1	-	-	335
3660003		1	-	-	336
3660004		1	-	-	336
3660005		1	-	-	338
3660006		1	-	-	338
3660007		1	-	-	337
3660008		1	-	-	337
3660009		1	-	-	335
3660010		1	-	-	336
3660011		1	-	-	334
3660013		1	-	-	354
3660014		1	-	-	354
3660016		1	-	-	334

Quick search

Article quick search

Item No.		DU 1	DU 2	DU 3	Page
3660018		1	-	-	338
3660019		1	-	-	338
3660020		1	-	-	335
3660021		1	-	-	337
3665000		1	-	-	339
3665001		1	-	-	339
3665002		1	-	-	339
3665003		1	-	-	339
3665006		1	-	-	340
3665009		1	-	-	340
3690000		1	70	1120	299, 343
3690001		1	70	1120	299, 343
3690002		1	70	1120	299, 343
3690003		1	-	-	342
3690004		1	-	-	341
3690005		1	60	-	343, 355
3690006		1	-	-	342
3690007		1	10	-	343
3690050		1	50	-	341
3690070		1	10	-	341
3690100		1	10	-	341
3695000		1	-	-	345
3695001		1	-	-	345
3695002		1	-	-	343
3695003		1	-	-	345, 346
3695004		1	-	-	345
3695005		1	-	-	343
3695006		1	-	-	343
3695007		1	60	-	342
9000000		18	630	1890	228
9010002		30	5400	-	228
9010003		10	-	-	238
9010009		5	2700	-	238
9018002		6	1176	-	237
9018007		100	500	-	238
9018011		2	200	-	237
9018012		1	15	1200	242
9020004		1	4	-	235
9020033		1	75	-	231
9020034		1	50	-	231
9020036		1	60	-	235
9020038		1	-	-	233
9020046		1	4	-	235
9020048		1	100	-	232
9020049		1	-	-	231
9020051		1	4	-	235
9020054		1	40	-	232
9020060		1	10	-	234
9020061		1	10	-	234
9021017		1	10	-	235

Item No.		DU 1	DU 2	DU 3	Page
9021019		50	200	-	229
9021021		1	10	-	235
9021032		1	35	-	20
9030002		10	1800	-	228
9030011		5	900	-	229
9030013		2	250	-	229
9030017		1	-	-	239
9030024		1	10	-	208
9030026		1	-	-	209
9030028		1	-	-	155, 172
9030029		1	-	-	63, 66, 68, 72, 82, 209
9030030		2	-	-	239
9030031		5	-	-	239
9040001		10	4000	-	238
9040004		10	3200	-	238
9041029		1	-	-	155
9041306		1	10	-	230
9041308		1	30	-	202
9042003		1	-	-	152, 236
9042005		1	50	-	236
9042008		1	10	-	130
9042010		1	10	-	129
9042011		1	10	-	129
9042012		1	10	-	129
9042013		1	10	-	129
9042016		1	10	-	129
9042017		1	10	-	129
9042018		1	10	-	129
9080001		1	30	-	159
9140000		4	20	-	239
9150000		1	-	-	234
9200000		30	60	-	240
9200001		5	20	-	240
9200002		250	4500	-	240
9200010		1	10	50	159, 189, 211
9200012		1	24	-	201
9200013		1	30	60	240
9200014		1	10	-	240
9200017		1	10	-	241
9221011		1	-	-	209
9221013		1	-	-	210, 242
9240354		1	-	-	78
9240355		1	-	-	78
9240356		1	-	-	79
9240357		1	-	-	79
9240360		1	-	-	80
9240400		1	10	-	81
9240401		1	10	-	81
9240402		1	10	-	81

Item No.		DU 1	DU 2	DU 3	Page
9240403		1	10	-	81
9240405		1	10	-	81
9240407		1	10	-	81
9240410		1	10	-	67, 72, 81
9240411		1	10	-	67, 72, 81
9240412		1	10	-	67, 72, 81
9240415		1	10	-	67, 72, 81
9240416		1	10	-	73
9240417		1	10	-	81
9240418		1	10	-	81
9240419		1	10	-	81
9240422		1	10	-	81
9240423		1	10	-	81
9240430		1	10	-	73
9240431		1	10	-	73
9240432		1	10	-	73
9240433		1	10	-	73
9240434		1	10	-	73
9240435		1	10	-	73
9240436		1	10	-	73
9240437		1	10	-	73
9240438		1	10	-	73
9240440		1	10	-	74
9240441		1	10	-	74
9240442		1	-	-	73, 106
9240443		1	-	-	77
9240444		1	10	-	73
9240445		1	10	-	73
9240446		1	10	-	73
9240447		1	10	-	73
9240451		1	-	-	76
9240452		1	-	-	76
9240453		1	-	-	76
9240454		1	-	-	76
9240455		1	-	-	76
9240461		1	-	-	75
9240462		1	-	-	75
9240463		1	-	-	75
9240464		1	-	-	75
9240465		1	-	-	75
9240478	NEW	1	10	-	363
9240479	NEW	1	10	-	364
9240490		1	10	-	364
9240491		1	10	-	364
9240492		1	10	-	362
9240493		1	10	-	362
9240494		1	10	-	362
9240495		1	10	-	362
9240496	NEW	1	-	-	362
9240497	NEW	1	-	-	362

Item No.		DU 1	DU 2	DU 3	Page
9240498	NEW	1	-	-	362
9240499	NEW	1	-	-	362
9240511		1	-	-	363
9240515		1	-	-	363
9240516		1	-	-	363
9240517		1	-	-	363
9240518		1	-	-	363
9240519		1	-	-	363
9240522		1	-	-	365
9240524		1	-	-	363
9240525		1	-	-	363
9240528		1	10	-	363
9240530		1	10	-	362
9240531		1	10	-	362
9240532		1	10	-	362
9240536		1	10	-	362
9240537		1	10	-	362
9240538		1	10	-	362
9240540		1	10	-	363
9240542		1	10	-	363
9240543		1	-	-	365
9240544		1	-	-	365
9240550		1	10	-	363
9240551		1	10	-	363
9240555		1	10	-	364
9240556		1	10	-	364
9240557		1	10	-	364
9240558		1	10	-	364
9240560		1	10	-	362
9240561		1	10	-	362
9240562		1	10	-	362
9240564		1	10	-	362
9240565		1	-	-	362
9240567		1	-	-	362
9240568		1	10	-	362
9240571		1	10	-	364
9240572		1	10	-	364
9240574		1	10	-	364
9240581		1	-	-	364
9240583		1	10	-	363
9240584		1	10	-	363
9240586		1	10	-	363
9240587		1	10	-	363
9240588		1	10	-	363
9240589		1	10	-	363
9240590		1	-	-	362
9240592		1	-	-	362
9240594		1	10	-	364
9240595		1	10	-	364
9240597		1	10	-	363

Article quick search

Item No.		DU 1	DU 2	DU 3	Page
9240598		1	10	-	363
9240612		1	10	-	69
9240613		1	10	-	69
9240614		1	10	-	69
9240615		1	10	-	69
9240616		1	10	-	69
9240617		1	10	-	69
9240618		1	10	-	69
9240619		1	10	-	69
9240631		1	10	-	70
9240643		1	10	320	63, 66, 68, 72, 82
9240644		1	20	-	63, 66, 67, 72, 82
9240645		1	10	320	63, 66, 68, 72, 82
9240646		1	20	-	63, 66, 67, 72, 82
9240647		1	20	-	63, 66, 67, 72, 82
9240648		1	20	-	63, 66, 67, 72, 82
9240649		1	20	-	63, 66, 67, 72, 82
9240650		1	10	-	70
9240654		1	10	-	70
9240655		1	10	-	70
9240656		1	10	-	70
9240657		1	10	-	70
9240659		1	10	-	70
9240660		1	10	-	70
9240663		1	10	-	69
9240664		1	10	-	69
9240665		1	10	-	69
9240666		1	10	-	69
9240667		1	10	-	69
9240668		1	10	-	69
9240669		1	10	-	69
9240671		1	10	-	69
9240674		1	10	-	69
9240675		1	10	-	69
9240678		1	10	-	69
9240679		1	10	-	69
9240700		1	10	-	83
9240701		1	10	-	83
9240702		1	10	-	83
9240723		1	10	-	83
9240730		1	10	-	67
9240731		1	10	-	67
9240732		1	10	-	67
9240733		1	10	-	67
9240734		1	10	-	67

Item No.		DU 1	DU 2	DU 3	Page
9240735		1	10	-	67
9240740		1	10	-	363
9240741		1	10	-	363
9240742		1	10	-	363
9240800		1	10	-	65
9240801		1	10	-	65
9240802		1	10	-	65
9240806		1	10	-	65
9240807		1	10	-	65
9240809		1	10	-	65
9240824		1	10	-	65
9240825		1	10	-	65
9240826		1	10	-	65
9240827		1	10	-	65
9240830		1	10	-	64
9240831		1	10	-	64
9240832		1	10	-	64
9240833		1	10	-	64
9240834		1	10	-	64
9240839		1	10	-	64
9240843		1	10	-	64
9240845		1	10	-	64
9240846		1	10	-	64
9240847		1	10	-	64
9240848		1	10	-	64
9240850	NEW	1	10	-	64
9240851	NEW	1	10	-	64
9240852	NEW	1	10	-	64
9240853	NEW	1	10	-	64
9240908		1	10	-	364
9240912		1	10	-	363
9240913		1	10	-	363
9240920		1	10	-	71
9240921		1	10	-	71
9240922		1	10	-	71
9240924		1	10	-	71
9240925		1	10	-	71
9240926		1	10	-	71
9240927	SALE	1	10	-	71
9240935		1	10	-	71
9240936		1	10	-	71
9240937		1	10	-	71
9240938		1	10	-	71
9240939		1	10	-	71
9240951		1	-	-	50, 51, 54, 86, 160, 212
9240952		1	-	-	86, 160, 212
9240960		1	-	-	62
9240961		1	-	-	62
9240971		1	30	-	63

Item No.		DU 1	DU 2	DU 3	Page
9240976		1	-	-	84
9240977		1	-	-	84
9240978		1	-	-	84
9240979		1	-	-	84
9240980		1	-	-	84
9240981		1	-	-	85
9240982		1	-	-	85
9240983		1	-	-	85
9240984		1	-	-	85
9240999		1	-	-	85
9242040		1	-	-	101
9242041		1	-	-	101
9242042		1	-	-	101
9242064		1	15	-	99
9242065		1	15	-	99
9242066		1	15	-	100
9242067		1	15	-	100
9242068		1	15	-	98
9242072		1	15	-	100
9242073		1	15	-	100
9242074		1	15	-	100
9242075		1	15	-	100
9242076		1	15	-	100
9242077		1	15	-	100
9242081		1	15	-	99
9242082		1	15	-	99
9242083		1	15	-	99
9242084		1	15	-	99
9242085		1	15	-	99
9242086		1	15	-	99
9242091		1	10	-	98
9242092		1	10	-	98
9242350		1	10	-	107
9242351		1	10	-	107
9242352		1	10	-	107
9242353		1	10	-	107
9242354		1	10	-	107
9242355		1	10	-	107
9242356		1	10	-	107
9242357		1	10	-	107
9242400		1	15	-	109
9242401		1	15	-	109
9242402		1	15	-	109
9242403		1	15	-	109
9242405		1	15	-	109
9242406		1	15	-	109
9242407		1	15	-	109
9242430		1	15	-	106
9242431		1	15	-	106
9242432		1	15	-	106

Item No.		DU 1	DU 2	DU 3	Page
9242433		1	15	-	106
9242434		1	15	-	106
9242435		1	15	-	106
9242511		1	-	-	367
9242515		1	-	-	367
9242516		1	-	-	367
9242517		1	-	-	367
9242518		1	-	-	367
9242522		1	-	-	367
9242524		1	-	-	367
9242525		1	-	-	367
9242530		1	-	-	366
9242531		1	-	-	366
9242532		1	-	-	366
9242533		1	10	-	366
9242534		1	10	-	366
9242535		1	10	-	366
9242536		1	-	-	367
9242537		1	-	-	367
9242538		1	-	-	367
9242540		1	10	-	366
9242574		1	15	-	367
9242600		1	15	-	105
9242625		1	15	-	105
9242626		1	15	-	105
9242627	SALE	1	15	-	105
9242646		1	40	-	103, 105, 109
9242647		1	40	-	103, 105, 109
9242648		1	40	-	103, 105, 109
9242649		1	40	-	103, 105, 109
9242650		1	15	-	104
9242654		1	15	-	104
9242655		1	15	-	104
9242656		1	15	-	104
9242657		1	15	-	104
9242659		1	15	-	104
9242660		1	15	-	104
9242661		1	15	-	104
9242663		1	15	-	104
9242800		1	15	-	102
9242801		1	15	-	102
9242802		1	15	-	102
9242806		1	15	-	102
9242807		1	15	-	102
9242809		1	15	-	102
9242810		1	10	-	102
9242811		1	10	-	102
9242812		1	10	-	102
9242813		1	10	-	102
9242814		1	10	-	102

Article quick search

Item No.		DU 1	DU 2	DU 3	Page
9242903		1	10	-	367
9242904		1	10	-	367
9242906		1	15	-	367
9242920		1	-	-	366
9242921		1	-	-	366
9242925		1	-	-	366
9242930		1	-	-	366
9242939		1	-	-	366
9242942		1	10	-	366
9242943		1	10	-	366
9300291		1	10	20	127
9300300		1	10	20	122
9300301		1	10	20	125
9300302		1	10	60	123
9300303		1	10	20	131
9300307	NEW	1	10	20	126
9300309		1	10	20	128
9300322		1	10	20	124
9300379		1	10	20	133
9300388		1	10	20	132
9300500		1	10	-	135
9300501		1	10	-	136
9300502		1	10	-	137
9300600		1	15	30	134
9310000		1	14	28	138
9310002		1	14	28	145
9310004		1	14	28	140
9310017	SALE	1	10	20	144
9310018		1	14	28	139
9310019		1	14	28	141
9310025	NEW	1	10	20	142
9310026	NEW	1	10	20	143
9320008		1	14	28	147
9320010		1	14	28	148
9320013		1	14	28	146
9330000		1	14	28	150
9330005		1	14	28	151
9340002		1	14	28	149
9360000		1	14	28	152, 236
9370021		1	-	-	207
9370032		1	50	-	206
9370040		1	-	-	207
9370045		1	50	-	206
9370300		1	10	20	198
9370500		1	10	-	203
9370501		1	10	20	204
9370502		1	10	-	205
9371300		1	10	20	201
9375300		1	10	20	199
9375304		1	10	20	200

Item No.		DU 1	DU 2	DU 3	Page
9380001		1	-	-	154
9380002		1	-	-	154
9380003		1	5	-	155
9380004		1	-	-	154
9380005		1	5	-	153, 237
9380006		1	5	-	153, 237
9380007		10	40	-	153
9380013		1	-	-	154
9380014		1	15	-	152, 166, 168
9380300		1	20	-	152
9380301		1	20	-	153
9500393		1	8	16	188
9510003		1	42	-	232
9600100		1	6	12	42
9600200		1	6	12	43
9600400		1	6	12	44
9650000		1	20	-	45
9650001		1	20	-	45
9650002		1	10	-	45
9650003		1	10	-	45
9650004		1	20	-	45
9650005		1	20	-	45
9650100		1	20	-	46
9650101		1	20	-	46
9650102		1	20	-	47
9650103		1	20	-	47
9650104		1	20	-	47
9650105		1	20	-	46
9650106		1	20	-	46
9650107		1	20	-	47
9650108		1	20	-	47
9650109		1	20	-	46
9650110		1	20	-	46
9650500		1	-	-	361
9650501		1	-	-	361
9650502		1	-	-	361
9650503		1	-	-	361
9650504		1	-	-	361
9650505		1	-	-	361
9650553		1	-	-	361
9650554		1	-	-	361
9660000		1	-	-	48
9660001		1	-	-	48
9660002		1	-	-	48
9700200		1	4	8	13
9700201		1	4	8	15
9700205		1	4	8	9
9700207		1	4	8	11
9700209		1	6	-	31
9700212		1	4	8	14

Item No.		DU 1	DU 2	DU 3	Page
9700213		1	4	8	8
9700214		1	4	8	10
9700215		1	4	8	30
9700216		1	4	8	12
9700224	NEW	1	12	-	32
9700600		1	5	-	16, 33
9700603		1	5	-	16, 33
9700605		1	-	-	20–24
9700606		1	-	-	17, 21–24
9700608		1	-	-	17, 21–24
9700611	NEW	1	-	-	35
9700620		1	20	-	17
9700621		1	20	-	17
9700625		1	-	-	20
9810003		1	-	-	80, 108
9810004		1	-	-	80, 108
9810010		1	-	-	164
9810012		1	-	-	62, 77
9820000		1	-	-	163, 215
9820005		1	-	-	53, 163, 164, 178, 191, 215, 220, 245
9820011		1	-	-	50, 54, 165, 168, 169, 179, 180, 191–193, 216, 217, 221, 222, 243, 244
9820012		1	-	-	54, 179–183, 192, 193, 221–223, 244
9820013		1	-	-	54, 179–183, 192, 193, 221–223, 244
9820014		1	-	-	54, 179–183, 192, 193, 221–223, 244
9820015		1	-	-	50, 51, 54, 165–171, 179–183, 191–193, 216–218, 221–223, 243, 244
9820016		1	-	-	54, 179–182, 193, 221–223, 244
9820017		1	-	-	179–182, 193, 221–223, 244
9820018		1	-	-	163, 180–182, 193, 215, 222, 223, 244

Item No.		DU 1	DU 2	DU 3	Page
9820019		1	-	-	163, 180–182, 193, 215, 222, 223, 244
9820020		1	-	-	91, 93, 163, 164, 215
9820021		1	-	-	91 88–90, 93, 163, 180–182, 193, 215, 222, 223, 244
9820022		1	-	-	91, 163, 164, 215
9820024		1	-	-	54, 163, 164, 180–182, 193, 215, 222, 223, 244
9820025		1	-	-	54, 163, 180–182, 193, 215, 222, 223, 244
9820026		1	-	-	179–182, 193, 221–223, 244
9820027		1	-	-	86
9820030		1	-	-	112, 113, 184, 224, 245
9820031		1	-	-	171, 172, 174, 177, 243
9820034		1	-	-	171, 172, 174, 177, 243
9820035		1	-	-	243
9820037		1	-	-	50, 51, 165–169, 191
9820040		1	-	-	170, 171, 218
9820042		1	-	-	50, 51, 165–168, 191, 216
9820044		1	-	-	177
9820047		1	-	-	216, 217
9820048		1	-	-	216, 217
9820049		1	-	-	216
9820050		1	-	-	216, 217
9820051		1	-	-	245
9820054		1	-	-	159, 175, 211, 243
9820055		1	-	-	50, 51, 156, 165–171, 189, 191, 210, 216–218, 243
9820057		1	250	-	171, 172, 174, 177, 243
9820059		1	-	-	243
9820065		1	-	-	243
9820066		1	-	-	171, 172, 174
9820067		1	-	-	172
9820070		1	-	-	

Article quick search

Item No.		DU 1	DU 2	DU 3	Page
9820071		1	-	-	50, 51, 177
9820073		1	-	-	217
9820074		1	-	-	175, 243
9820075		1	-	-	175, 243
9820076		1	-	-	175, 243
9820078		1	-	-	156, 168
9820079		1	-	-	176
9820080		1	-	-	91, 113
9820085		1	-	-	113
9820086		1	-	-	113
9820087		1	-	-	113
9820088		1	-	-	113
9820089		1	-	-	113
9820090		1	-	-	113
9820091		1	-	-	91, 113
9820092		1	-	-	91, 92, 113
9820093		1	-	-	113
9820094		1	-	-	91–93, 113
9820095		1	-	-	110
9820096		1	-	-	176
9820097		1	-	-	113
9820098		1	-	-	113
9820099		1	-	-	166, 180, 181
9820100		1	-	-	166, 216
9820101		1	-	-	166
9820103		1	-	-	165, 168, 169, 191, 216, 217, 243
9820107		1	-	-	169
9820118	NEW	1	-	-	167
9820125		1	-	-	245
9820126		1	-	-	156, 168
9820127		1	-	-	156, 168
9820128		1	-	-	238
9820133		1	-	-	243
9820134		1	-	-	50, 155, 165–169, 191
9820135		1	-	-	216, 217, 243
9820136		1	500	-	50, 51, 156, 165–169, 171, 191, 210, 216, 217, 243
9820137		1	10	-	156, 210
9820139		1	-	-	50, 51, 165–171, 191, 216–218, 243
9820140		1	-	-	91–93
9820143		1	-	-	217
9820144		1	-	-	217
9820145		1	-	-	170, 171
9820146		1	-	-	218

Item No.		DU 1	DU 2	DU 3	Page
9820147		1	-	-	170, 171
9820148		1	-	-	219
9820149		1	-	-	218, 219
9820150		1	-	-	170, 171, 218
9820151		1	-	-	218, 219
9820152		1	-	-	218, 219
9820153		1	-	-	218
9820161		1	-	-	179, 192, 194, 220, 223
9820163		1	-	-	183, 194, 223
9820180		1	-	-	88, 89, 93, 112, 163, 164, 215
9820181		1	-	-	86
9820188		1	-	-	192, 221
9820189		1	-	-	192, 221
9820191		1	-	-	53, 54, 93, 177, 192, 219, 221
9820192		1	-	-	192, 221
9820194		1	-	-	183, 192, 221, 223
9820195		1	-	-	91, 92
9820196		1	-	-	88
9820197		1	-	-	112
9820198		1	-	-	91
9820199		1	-	-	91
9820200		1	-	-	91
9820201		1	-	-	91
9820202		1	-	-	90–92
9820203		1	-	-	91
9820204		1	-	-	92
9820205		1	-	-	92
9820206		1	-	-	93
9820213		1	-	-	184, 224, 245
9820214		1	-	-	156, 189, 210
9820215		1	-	-	192, 221
9820216		1	-	-	183, 192, 221, 223
9820217		1	-	-	192, 221
9820220		1	-	-	179, 192, 194, 220, 223
9820221		1	-	-	192, 221
9820222		1	-	-	53, 163, 164, 178, 191, 194, 215, 220, 223, 245
9820223		1	-	-	48, 54, 161, 163, 164, 179–182, 190, 193, 212, 215, 221–223, 244
9820224		1	-	-	192, 221

Item No.		DU 1	DU 2	DU 3	Page
9820229		1	-	-	53, 178, 191, 220, 245
9820233		1	-	-	53, 163, 164, 178, 191, 215, 220, 245
9820235		1	-	-	183
9820241		1	-	-	93
9820245		1	-	-	245
9820246		1	-	-	184, 224
9820249		1	-	-	89
9820253		1	-	-	89
9820254		1	-	-	218
9820255		1	-	-	218
9820256		1	-	-	218
9820263		1	-	-	53, 88–91, 93, 163, 177, 215, 219
9820264		1	-	-	160, 211, 242
9820275		1	-	-	179, 192, 194, 220, 223
9820285		1	-	-	51
9820286		1	-	-	51
9820287		1	-	-	51
9820288		1	-	-	51
9820289		1	-	-	51
9820290		1	-	-	51
9820291		1	-	-	52
9820300		1	-	-	51
9820301		1	-	-	51
9820302		1	-	-	51
9820305		1	-	-	156, 189, 210
9820311		1	-	-	51
9820312		1	5	-	165, 169, 191, 216, 217, 243
9820315		1	20	-	155
9820316		1	50	-	156, 210
9820317		1	80	-	50, 51, 156
9820324		1	10	-	210
9820327		1	10	-	91
9820328		1	-	-	89
9820329		1	-	-	50, 51
9820330		1	-	-	50, 51
9820331		1	-	-	179, 180, 193, 221, 222, 244
9820332		1	-	-	50, 51, 165–177
9820333		1	-	-	50, 51, 165–177
9820335		1	-	-	50, 51, 165–169, 171–177, 243
9820337		1	100	-	49, 162–164, 190, 213, 215

Item No.		DU 1	DU 2	DU 3	Page
9820338		1	-	-	160, 211
9820339		1	-	-	191
9820346		1	-	-	89, 90, 93
9820347		1	-	-	88
9820348		1	-	-	165–169, 191
9820349		1	-	-	53, 93, 177, 219
9820350		1	-	-	51
9820351		1	-	-	21–28, 34, 52
9820352		1	-	-	88
9820353		1	10	240	49, 54, 161, 163, 164, 179–183, 190, 192, 193, 213, 215, 221–223, 244, 246
9820354		1	-	-	62
9820356		1	-	-	21–28, 34
9820357		1	-	-	21–28, 34
9820360		1	-	-	21, 22, 25, 26
9820361		1	-	-	17, 25, 26
9820362		1	-	-	17, 25–28
9820363		1	-	-	21–29
9820364		1	-	-	21–28
9820365		1	-	-	25, 26
9820369		1	-	-	88
9820370		1	-	-	88
9820372		1	-	-	54, 163, 180–182, 193, 215, 222, 223, 244
9820373		1	-	-	54, 163, 164, 179–183, 193, 215, 221–223, 244
9820374		1	-	-	54, 163, 179–182, 193, 215, 221–223, 244
9820375		1	-	-	183, 192, 221, 223
9820376		1	-	-	192, 221
9820378		1	-	-	164, 183
9820381		1	-	-	164, 183
9820382		1	-	-	53, 163, 164, 178, 192, 215, 220, 246
9820383		1	-	-	53, 163, 164, 178, 192, 215, 220, 246
9820390		1	-	-	88, 90, 111, 112, 163, 164, 215
9820391		1	-	-	89

Article quick search

Item No.	DU 1	DU 2	DU 3	Page
9820392	1	-	-	89
9820393	1	-	-	89
9820394	1	-	-	162, 213
9820397	1	-	-	88
9820398	1	-	-	53, 178, 192, 220, 246
9820400	1	-	-	169
9820403	1	-	-	17, 21–28
9820404	1	-	-	17, 21–28
9820405	1	-	-	17, 21–28
9820406	1	-	-	17, 21–28
9820420	1	100	-	53, 178, 191, 220, 245
9820422	1	-	-	21–28
9820423	1	-	-	25, 27, 29, 35
9820424	1	-	-	175, 219
9820425	1	-	-	52
9820426	1	-	-	90
9820437	1	-	-	168
9820439	1	10	-	183, 223
9820440	1	-	-	175, 219
9820442	1	-	-	164
9820443	1	-	-	164
9820446	1	-	-	179, 192, 194, 220, 223
9820447	1	-	-	50, 51, 165–177, 191
9820459	1	-	-	91, 92
9820460	1	-	-	92
9820461	1	-	-	237
9820462	1	-	-	237
9820464	1	-	-	19
9820465	1	-	-	25, 27, 29, 35
9820469	1	-	-	21–28
9820470	1	-	-	175, 219
9820471	1	-	-	21–28
9820472	1	-	-	164
9820474	1	-	-	90
9820475	1	-	-	90
9820476	1	-	-	90
9820477	1	-	-	90
9820478	1	-	-	90
9820479	1	-	-	90
9820480	1	-	-	90
9820481	1	-	-	90
9820484	1	-	-	21–28, 34
9820492	1	-	-	183
9820493	1	-	-	51, 88, 90–92
9820494	1	-	-	169
9820495	1	-	-	179–182, 193, 221, 222, 244

Item No.	DU 1	DU 2	DU 3	Page
9820496	1	-	-	163, 164, 179–183, 193, 215, 221–223, 244
9820497	1	-	-	88–90, 93, 163, 164, 215
9820498	1	-	-	88–90, 93, 163, 164, 215
9820499	1	-	-	179–183, 193, 221–223, 244
9820545	1	-	-	111
9820546	1	-	-	111
9820553	1	-	-	175, 219
9820554	1	-	-	111, 112
9820557	1	-	-	89
9820558	1	-	-	89
9820559	1	-	-	89
9820560	1	-	-	89
9820561	1	-	-	162, 183, 190, 214, 223
9820562	1	-	-	183, 223
9820563	1	-	-	170, 171, 183, 217, 218, 223
9820564	1	-	-	179, 192, 220
9820565	1	-	-	170, 171, 217, 218
9820567	1	-	-	170
9820568	1	-	-	165–168
9820569	1	-	-	165–168
9820573	1	-	-	164
9820574	1	-	-	183, 223
9820575	1	-	-	50, 51
9820576	1	-	-	218
9820577	1	-	-	218
9820578	1	-	-	170
9820579	1	-	-	170
9820580	1	-	-	20
9820581	1	10	-	25, 27, 29, 35
9820582	1	10	-	25, 27, 29, 35
9820583	1	10	-	25, 27, 29, 35
9820585	1	-	-	21–28
9820586	1	-	-	21–28
9820587	1	-	-	53, 178, 192, 220, 246
9820588	1	-	-	161, 164, 183
9820589	1	-	-	164
9820591	1	108	-	20, 29
9820592	1	-	-	167
9820593	1	-	-	183
9820595	1	-	-	183
9820596	1	-	-	164, 183
9820598	1	-	-	183

Item No.		DU 1	DU 2	DU 3	Page
9820599		1	-	-	164
9820614		1	-	-	93
9820615		1	-	-	93
9820616		1	-	-	158
9820633		1	-	-	167
9820634		1	15	-	167
9820645		1	-	-	111
9820646		1	-	-	111, 112
9820647		1	-	-	111
9820648		1	-	-	111
9820649		1	-	-	111
9820653		1	48	-	178
9820655		1	-	-	168
9820657		1	-	-	29
9820658		1	-	-	29
9820659		1	-	-	29
9820660		1	-	-	29
9820661	NEW	1	-	-	173
9820667		1	-	-	183
9820668		1	-	-	169, 183
9820670		1	-	-	49, 53, 161, 163, 178, 191, 213, 215, 220, 245
9820672		1	5	-	21, 23, 28, 34, 35
9820673		1	10	-	21, 23, 28, 34, 35
9820676	NEW	1	-	-	167, 182
9820677		1	-	-	29
9820688		1	-	-	54, 94, 177, 219
9820691		1	-	-	173, 174
9820692		1	50	-	87
9820693		1	-	-	94, 177, 219
9820695		1	10	-	25, 27, 29, 35
9820696		1	10	-	25, 27, 29, 35
9820697		1	-	-	21–24
9820698		1	15	-	179–182, 193, 221, 222, 244
9820699		1	50	-	179–182, 193, 221, 222, 244
9820700		1	-	-	179–181, 193, 221, 222, 244
9820703		1	-	-	21–28
9820706	NEW	1	-	-	35
9820713	NEW	1	-	-	35
9820714	NEW	1	-	-	35
9820715	NEW	1	-	-	175, 219
9820717	NEW	1	-	-	360
9820718	NEW	1	-	-	35

Item No.		DU 1	DU 2	DU 3	Page
9820719	NEW	1	-	-	173
9880036		1	-	-	52, 54, 157
9880037		1	-	-	157
9880046		1	100	-	19, 158, 189
9880047		1	25	-	18, 209
9880048		1	-	-	18, 208
9880049		1	-	-	157
9880052		1	-	-	157
9880053		1	-	-	157
9880054		1	-	-	157
9880073		1	10	-	156, 189, 211
9880082		1	-	-	19, 159
15201070		1	-	-	312
15201072		1	-	-	313
15201080		1	-	-	312
15201082		1	-	-	313
15201090		1	-	-	312
15201092		1	-	-	313
15204001		1	-	-	352
15204002		1	-	-	352
15204003		1	-	-	352
15204004		1	-	-	353
15221000		1	150	-	315, 316
15243071		1	-	-	305, 314, 316
15243081		1	-	-	305, 314, 316
15243091		1	-	-	305, 314, 316
15294000		1	-	-	355
15294001		1	-	-	355
15294002		1	-	-	355
15294003		1	-	-	355

Assortment changes

Item No.	Designation	State/Change	Substitute
640427	TECEDrainline shower channel for liquid floors with coatable channel insert as a set, 300 mm	NEW	
691100	TECEDrainway shower profile, Brushed stainless steel, 1100 mm	NEW	
691120	TECEDrainway shower profile with coloured surface, Brushed black, 1100 mm	NEW	
691130	TECEDrainway shower profile with coloured surface, Brushed brass, 1100 mm	NEW	
691140	TECEDrainway shower profile with coloured surface, Brushed bronze, 1100 mm	NEW	
691600	TECEDrainway shower profile, Brushed stainless steel, 1600 mm	NEW	
691620	TECEDrainway shower profile with coloured surface, Brushed black, 1600 mm	NEW	
691630	TECEDrainway shower profile with coloured surface, Brushed brass, 1600 mm	NEW	
691640	TECEDrainway shower profile with coloured surface, Brushed bronze, 1600 mm	NEW	
693010	TECEDrainway horizontal "standard" drain, DN 50	NEW	
693020	TECEDrainway horizontal "flat" drain, DN 40	NEW	
693030	TECEDrainway "vertical" drain, DN 50	NEW	
694000	TECEDrainway cleaning spiral	NEW	
694001	TECEDrainway high-pressure hose, length 10 m	NEW	
694002	TECEDrainway adapter for high-pressure cleaners, Easy Lock TR22 female thread adapter for Kärcher	NEW	
694003	TECEDrainway adapter for high-pressure cleaners, plug-in nipple D10 adapter for Kränzle	NEW	
694004	TECEDrainway adapter for high-pressure cleaners, plug-in nipple D12 adapter for Nilfisk	NEW	
694005	TECEDrainway adapter for high-pressure cleaners, bayonet adapter for Lavor	NEW	
694006	TECEDrainway adapter for high-pressure cleaners, bayonet adapter for Nilfisk	NEW	
694007	TECEDrainway adapter for high-pressure cleaners, bayonet adapter for Kärcher	NEW	
694008	TECEDrainway extension adapter for "natural stone" adjustment disc	NEW	
694009	TECEDrainway fire protection set	NEW	
695000	TECE spare part mounting kit floor mounting DN 50	NEW	
695001	TECE spare part reinforcement metal sheet DN 50	NEW	
695002	TECE spare part clamping ring including mounting kit	NEW	
695003	TECE spare part sound insulation strip drain (DN 40 and DN 50)	NEW	
695004	TECE spare part distance plate (DN 40 and DN 50)	NEW	
695005	TECE spare part mounting kit drain top DN 50	NEW	
695006	TECE spare part mounting kit floor mounting DN 40	NEW	
695007	TECE spare part reinforcement metal sheet DN 40	NEW	
695008	TECE spare part mounting kit drain top DN 40	NEW	
695009	TECE spare part profile brackets (4 pieces)	NEW	
695010	TECE spare part sound insulation strip shower profile	NEW	
695011	TECE spare part adjustment disc for shower profile	NEW	
695012	TECE spare part end caps (left and right), brushed stainless steel	NEW	
695013	TECE spare part end caps (left and right), brushed black	NEW	
695014	TECE spare part end caps (left and right), brushed brass	NEW	
695015	TECE spare part end caps (left and right), brushed bronze	NEW	
699000	TECEDrainway exhibition shower profile, Brushed stainless steel	NEW	
9020019	TECEprofil connection unit for stop valve and water meter	Dropped	
9020040	TECEprofil mounting crossbeam for flush-mounted and wall-mounted fittings	Dropped	9020060
9020041	TECEprofil mounting crossbeam for flush-mounted and wall-mounted fitting for subsequent installation in washstand modules	Dropped	9020061
9020050	TECEprofil connection unit for washstand incl. TECElogo-Push wall discs 20 x 1/2" silicon bronze	Dropped	
9020052	TECEprofil valve connector with wall disc TECElogo 20 x 1/2", silicon bronze	Dropped	
9021022	TECEprofil system wall disc TECElogo-Push 20 x 1/2" long version, silicon bronze	Dropped	
9240478	TECEloop toilet flush plate exhibit plastic, Matt white	NEW	
9240479	TECESolid toilet flush plate exhibit, Matt white	NEW	

Item No.	Designation	State/Change	Substitute
9240496	TECESquare II metal toilet flush plate exhibit with coloured surface, Brushed brass (with anti-fingerprint)	NEW	
9240497	TECESquare II metal toilet flush plate exhibit with coloured surface, Brushed bronze (with anti-fingerprint)	NEW	
9240498	TECESquare II metal toilet flush plate exhibit with coloured surface, Brushed black (with anti-fingerprint)	NEW	
9240499	TECESquare II metal toilet flush plate exhibit with coloured surface, Brushed cool nickel (with anti-fingerprint)	NEW	
9240850	TECESquare II metal toilet flush plate for dual-flush system, with coloured surface, Brushed cool nickel (with anti-fingerprint)	NEW	
9240851	TECESquare II metal toilet flush plate for dual-flush system, with coloured surface, Brushed brass (with anti-fingerprint)	NEW	
9240852	TECESquare II metal toilet flush plate for dual-flush system, with coloured surface, Brushed bronze (with anti-fingerprint)	NEW	
9240853	TECESquare II metal toilet flush plate for dual-flush system, with coloured surface, Brushed black (with anti-fingerprint)	NEW	
9240927	TECEloop plastic toilet flush plate for dual-flush system, Polished white, bright chrome buttons	SALE	
9242627	TECEloop urinal flush plate plastic including cartridge, Polished white, bright chrome button	SALE	
9300307	TECEprofil toilet module with Uni cistern and variable height adjustment of the lower build space, height 1120 mm	NEW	
9300344	TECEprofil toilet module TECEprofil with Uni cistern, for TOTO Neorest Washlet (WC) AC 2.0/EW 2.0, installation height 1120 mm	Dropped	
9310017	TECEprofil washstand module including two assembly blocks for mounting water meter measuring capsules, installation height 1120 mm	SALE	9310025
9310025	TECEprofil washstand module including two insulated and lockable assembly blocks, suitable for accommodating water meter measuring capsules with Koax G 2", installation height 1120 mm	NEW	
9310026	TECEprofil washstand module including one insulated and lockable assembly block, suitable for accommodating water meter measuring capsules with Koax G 2", installation height 1120 mm	NEW	
9340000	TECEprofil bath/shower module for flush-mounted and wall-mounted fittings, installation height 1120 mm	Dropped	9340002
9370033	TECEbox washstand module, installation depth 8 cm	Dropped	
9700224	TECEloft set, toilet ceramic with cyclon flush and toilet seat in a classic high design	NEW	
9700611	TECE spare part TECEloft seat/lid "classic"	NEW	
9820118	TECE Uni cistern height-adjustable 1120 mm	NEW	
9820231	TECE spare part valve seat with standard throttle for drain valve A 2 (ø 36 mm)	Dropped	
9820259	TECE spare part control cable	Dropped	
9820371	TECEone splash guard	Dropped	9820717
9820661	TECE spare part kit for washstand module water meter cold water	NEW	
9820676	TECE spare part flush pipe for height-adjustable toilet module	NEW	
9820706	TECE spare part TECEloft concealed mounting	NEW	
9820713	TECE spare part TECEloft hinge set seat/lid "classic"	NEW	
9820714	TECE spare part TECEloft buffer set seat/lid "classic"	NEW	
9820715	TECE spare part pre-valve flush valve U 2 (from 03/2025)	NEW	
9820717	TECE shower toilet universal splash guard	NEW	
9820718	TECE spare part TECEloft damper set seat/lid "classic"	NEW	
9820719	TECE spare part kit for washstand module water meter hot/cold water	NEW	
9880056	TECE upgrade set dry-wall 8 cm for TECE shower toilets	Dropped	9880082

Notes:

- Goods are supplied to the specialist wholesale trade only in the quantities specified.
- Subject to technical modifications.
- This documentation is based on our current state of knowledge; the “state of the art” applies as a matter of course.
- Local standards and guidelines are to be taken into consideration in the choice of materials.

Valid until the appearance of the next issue. Subject to alterations and errors excepted.

More information on
www.tece.com

TECE SE
P +49 2572 928-999
international-business@tece.de
www.tece.com