

TECE

PRODUCT RANGE 2025

Sanitary Systems

TECE International

Austria

TECE Österreich GmbH
Betriebsring 27
AT - 2483 Ebreichsdorf
Phone: +43 2254 207 02
info@tece.at
www.tece.at

Belarus

IOOO «TECE»
Menkovsky Trakt 10, Office 408-411
BY - Minsk
Republic Belarus
Phone: +375 17 507 51 90
info@tece.by
www.tece.by

Belgium

TECE Belgium BVBA
Jules Moretuslei 187-189,
BE - 2610 Antwerpen - Wilrijk
Phone: +32 2 401 61 37
info@tece.be
www.tece.be

China

**TECE Sanitary & Building Material
(Shanghai) Co., Ltd.**
No.3037, Kaixuan Road,
Xuhui District
CN - 200030 Shanghai, China
Phone: +86 21 32555030
info@tece.cn
www.tece.cn

Croatia

TECE d.o.o.
Fallerovo šetaliste 16
HR - 10000 Zagreb
Phone: +38 513 079 000
info@tece.hr
www.tece.hr

Czech Republic

TECE Česká republika s.r.o.
Vocáňova 2449/5
CZ - 180 00 Praha 8 - Libeň
Phone: +420 273 134 240
info@tece.cz
www.tece.cz

Estonia

UAB TECE BALTIKUM Eesti filiaal
Tuleviku tee 10
EE - 75312 Peetri alevik
Rae vald, Harjumaa
Phone: +372 6 781100
info@tece.ee
www.tece.ee

France

TECE France Sarl
185, rue Louise Labbé, Bat C
FR - 69970 Chaponnay
Phone: +33 437 453 810
info@tece.fr
www.tece.fr

Germany

TECE GmbH
Hollefeldstr. 57
DE - 48282 Emsdetten
Phone: +49 2572 928 0
info@tece.de
www.tece.de

India

TECE India Private Ltd.
G-3, Neel Madhav,
Nr. Navneet Hospital,
V.P. cross road, Mulund (west)
IN - 400080 Mumbai Maharashtra
Phone +91 22 2167 6767
info@tece.in
www.tece.in

Italy

TECE Italia srl. a socio unico
Via dell'Industria, 24 A
IT - 41051 Castelnovo Rangone (MO)
Phone: +39 0 595 334 011
info@teceitalia.com
www.tece.it

Latvia

UAB TECE Baltikum Latvia
Dēļu iela 4, Rīga
LV - 1004 Latvija
Phone: +371 67 21 18 02
info@tece.lv
www.tece.lv

Lithuania

UAB TECE Baltikum
Islandijos pl. 217-2 Kaunas
LT - 49165 Lietuva
Phone: +370 37 314 078
info@tece.lt
www.tece.lt

Netherlands

TECE Nederland B.V.
W.A. Scholtenweg 7 a
NL - 9422 BR Smilde
Phone: +31 592 415 074
info@tece.nl
www.tece.nl

Norway

TECE NORGE A/S
Snipetjernveien 4
NO - 1405 Langhus
Phone: +47 915 03 654
ordre@tece.no
www.tece.no

Poland

TECE Sp. z o.o.
Ul. Wrocławska 61
PL - 57-100 Strzelin
Phone: +48 713 839 100
tece@tece.pl
www.tece.pl

Romania

TECE GmbH Romania SRL
Soseaua de Centura, 13A, com. Chiajna
RO - 077040 jud. Ilfov
Phone: +40 21 316 47 08
info@tece.ro
www.tece.ro

Russia

OOO TECE Systems
Highway „Baltija“ 26 km, BC «Riga Land»,
Building 6, Entrance 5, floor 5
Moscow Region,
Krasnogorsky District - Ilyinskoye
RU - 143421 Moscow
Phone +8 800 333 83 23
info@tece.ru
www.tece.ru

Singapore

TECE South-East Asia Pte. Ltd.
76 Playfair Road
LHK2 Building, #03-03 Lobby 2
SG - 367996 Singapore
Phone: +65 67 43 48 86
sales@tece.com.sg
www.tece.com.sg

Spain

TECE Haustechnik, S.L.
Parque Empresarial Alvedro
Calle F 24, Manzana 10
ES - 15180 Culleredo, A Coruña
Phone: +34 881 89 50 25
info@tece.es
www.tece.es

Sweden

TECE Sverige AB
Askims Verkstadsväg 7
SE - 43634 Askim
Phone: +46 10 200 81 40
info@tece.se
www.tece.se

Switzerland

TECE Schweiz AG
Gewerbstrasse 8
CH - 8212 Neuhausen am Rheinfall
Phone: +41 52 672 62 20
info@tece.ch
www.tece.ch

Ukraine

TOV TECE Ukraine
Williamsa Akademika str. 3/7, of.7
UA - 03195 Kyiv
Phone: +38 044 596 59 46
info@tece.ua
www.tece.ua

United Kingdom

TECE Ltd.
Wirral Park Road
Glastonbury, Somerset
UK - BA6 9XE Somerset
Phone +44 844 335 0811
info@tece.co.uk
www.tece.co.uk

| | Page |
|--|------|
| Sanitary Systems | |
| TECE sanitary ceramics – Add value to the bath | 5 |
| TECElux – The toilet terminal | 37 |
| TECE flush plates – The collection for toilet and urinal | 55 |
| Toilet flush plate | 59 |
| Urinal flush plate | 95 |
| TECE sanitary modules – Always the right solution | 115 |
| TECEprofil – Dry-wall modules | 119 |
| TECEconstruct – Modules | 183 |
| TECEbox – Brick-wall modules | 193 |
| Plumbing Framework | |
| TECEprofil – Quick pre-wall installation with just three components | 223 |
| TECEsystem – Industrial prefabrication of system walls | 247 |
| Drainage Systems | |
| TECEdrainprofile – The universal shower channel with the flush-mounted stainless steel profile | 251 |
| TECEdrainline – The exclusive shower channel for the highest architectural demands | 269 |
| TECEshowerline – The channel body with "2 in 1" cover | 295 |
| TECEdrainpoint S – The practical point drain | 303 |
| TECEshowerpoint – The floor drain with "2 in 1" cover | 335 |
| Annex | |
| Exhibition samples | 343 |
| Article quick search | 357 |
| Assortment changes | 370 |

General Conditions of Sale and Delivery and General Contractual Conditions of the Company TECE GmbH, Hollefeldstr. 57, 48282 Emsdetten/Germany

1. Applicability of the Conditions

- 1.1 The deliveries, services and offers of TECE GmbH, Hollefeldstr. 57, 48282 Emsdetten, hereinafter briefly referred to as TECE, shall be based exclusively on these terms and conditions. The latter shall therefore also apply to all future business relationships even if not explicitly agreed upon once again. At the latest on receipt of the goods/services, these conditions shall be deemed accepted. Any acknowledgements of the purchaser with reference to his own conditions of business or purchase are hereby objected to.
- 1.2 Deviations from these terms and conditions shall only be effective if explicitly confirmed in writing by TECE.
- 1.3 The following general terms and conditions of sale and delivery apply to our business relationships with our customers. Customers in the sense of these terms and conditions can be both consumers and entrepreneurs. The customer is a consumer, insofar as the purpose of the ordered deliveries and services is not predominantly commercial or independent professional activity can be attributed. In contrast, an entrepreneur is any natural or legal person or person with legal capacity partnership that, when concluding the contract, is exercising its commercial or independent professional activity acts including legal entities under public law and special funds under public law within the meaning of Section 310 (1) BGB.

2. Offer and Contract Conclusion

- 2.1 Where the order is to be qualified as an offer pursuant to § 145 BGB, TECE shall be entitled to accept this offer within 4 weeks.
- 2.2 TECE reserves proprietary rights and copyrights with respect to images, drawings, calculations, data and other documents. These must not be made accessible to third parties. This shall also apply to information, especially written documents, which is marked as confidential. Prior to passing on such information to third parties, the purchaser shall require explicit written consent from TECE.
- 2.3 Drawings, images, measures, weights and other performance data shall only be binding if that has been explicitly agreed in writing. Such information shall not be understood as a guarantee of quality.

3. Application-technological Advice

- 3.1 Application-technological advice such as installation instructions, standard operating procedures and the creation and calculation of measurements etc. will be provided by TECE to the best of its knowledge. Any data and information regarding the suitability and use of TECE goods shall not exempt the customer from his obligation to carry out own inspections and tests as to whether the products are suitable for the intended processes and purposes; such information shall be non-binding and, as a matter of principle, not give rise to any contractual legal relationship and any ancillary obligations under the delivery contract, unless explicitly agreed otherwise in writing. To such exceptional cases, the following subsections 3.2 and 3.3 shall apply.
- 3.2 For application-technological advice, TECE shall only be liable in cases of wilful misconduct and gross negligence. This shall apply without restrictions to advisory activities relating to the application/use of new product developments. In other cases, TECE shall also be liable for simple negligence, albeit only where essential contractual obligations are infringed. Any liability for lost profits, for damage/loss resulting from third-party claims against the customer and for other consequential damage shall be ruled out.
- 3.3 Unless TECE is charged with a wilful breach of contract, the liability for damages shall be limited, apart from that, to the foreseeable, typically occurring damage.

4. Period of Delivery and Performance, Delay

- 4.1 The delivery period indicated by TECE shall only begin to run once all technical matters/issues have been clarified.
- 4.2 The dates and periods mentioned by TECE shall be non-binding unless explicitly agreed otherwise in writing. As a matter of principle, risks of procurement will not be assumed by TECE.
- 4.3 Delays of delivery and performance due to force majeure and/or because of events, which make the delivery essentially more difficult or impossible for TECE (such as strike, lockout etc.), shall entitle TECE to postpone the deliveries or services by the duration of the hindrance plus an appropriate preparatory period. The same shall apply correspondingly if the aforementioned hindrances have occurred at suppliers of TECE or their sub-suppliers.
- 4.4 Correct and timely self-supply shall remain reserved.
- 4.5 Where TECE has failed to provide a due service in accordance with the contract, the purchaser shall not be entitled to withdraw from the contract and/or demand compensation for damages instead of the entire performance or the reimbursement of futile expenses as far as TECE's breach of duty is insignificant.
- 4.6 TECE shall come in default only as a consequence of a reminder unless something else results from the law or the contract. To become effective, reminders submitted and deadlines set by the purchaser shall require written form.
- 4.7 Compliance with delivery obligations on the part of TECE shall require timely and proper performance of the purchaser's obligations. The defence of non-performance of the contract shall remain reserved. TECE shall be entitled to partial delivery and partial performance at any time.
- 4.8 As far as TECE fails to provide a due service or fails to provide such a service in line with what is owed, the purchaser shall be entitled to withdraw from the contract and, subject to the culpable infringement of a contractual obligation on the part of TECE, to demand compensation for damages instead of performance or the reimbursement of futile expenses without prejudice to the additional prerequisites under the following subsections. Another prerequisite shall be that the purchaser has set an appropriate period of time for performance or subsequent performance and that this period of time has expired unsuccessfully.
- 4.9 The purchaser shall be under obligation to link the period of grace pursuant to Subsection 4.8 above with the explicit statement that, after unsuccessful expiry of the period of grace, he will reject delivery and assert the rights arising against TECE from Subsection 4.8 above.
- 4.10 Where performance has already been provided partially, the purchaser shall only be entitled to demand compensation for damages instead of the entire performance as far as his interest in the entire performance requires so. Withdrawal from the entire contract shall only be possible in this event as far as the purchaser is able to prove that he has no interest in any partial performance.
- 4.11 Where TECE comes in default because of reasons, for which TECE is responsible, the liability for damages shall be ruled out in cases of ordinary negligence. The aforementioned limitation of liability shall not apply if the delay results from TECE's culpable infringement of an essential contractual obligation. In this event, the liability of TECE shall be limited, pursuant to Subsection 4.13 below, to the foreseeable damage typical of this kind of contract. In the event of any wilful infringement of the contract, for which TECE is responsible, TECE shall be liable according to the statutory provisions. More far-reaching compensation claims of the purchaser shall be ruled out in all cases of delayed delivery including after expiry of a period of grace possibly set to TECE. This shall not apply as far as compulsory liability is in place because of wilful misconduct, gross negligence and bodily injury; this shall not be associated with any change of the burden of proof to the disadvantage of the purchaser.
- 4.12 In the event of delayed acceptance by the purchaser or in the event of infringement of other obligations to cooperate by the purchaser, TECE shall have the right to assert the legal claims, to which TECE is entitled. The risk of accidental loss and/or accidental deterioration of the object of purchase shall be transferred to the purchaser no later than at the point in time, at which the purchaser comes in default of acceptance.
- 4.13 Where TECE comes in default, the purchaser shall be entitled – if he provides conclusive evidence that he has suffered damage as a result of such default – to demand compensation of 0.5 % at the most for each full week of delay in case of simple negligence without prejudice to the limitation of liability under Subsection 4.11 above. Overall, however, he shall not be entitled to demand more than 10 % of the price for that part of the delivery which the purchaser could not put into useful operation because of the delay.

5. Transfer of Risk, Packaging

- 5.1 Unless otherwise agreed, delivery ex stock from TECE in Emsdetten shall be agreed. The risk will be transferred to the purchaser as soon as the shipment has been handed over to the person executing transportation or has left the TECE warehouse for shipping purposes. This shall also apply if TECE carries out the transportation by means of own personnel.
- 5.2 If shipping becomes impossible through no fault of TECE, the risk will be transferred to the purchaser as soon as the delivery is reported as ready for shipment.
- 5.3 If the purchaser wishes, TECE will cover the delivery through goods in transit insurance. The costs incurred in this respect shall be borne by the purchaser.
- 5.4 The transport packaging and any other packaging pursuant to the German Packaging Regulation shall not be taken back, except for repeatedly usable means of transport such as pallets, lattice boxes, pressure cylinders etc. The purchaser shall be under obligation to arrange for the disposal of non-returnable packaging at his own expense. The repeatedly usable means of transport will be made available to the purchaser only by way of lending. The purchaser shall be under obligation to return them in proper condition, i.e. completely emptied and without damage. In case of contamination or damage of the means of transport, the purchaser shall bear the cost of repair or provide TECE with compensation for lost value if repair is impossible.

6. Prices and Payments

- 6.1 The prices indicated in the respective current price lists of TECE plus the respectively applicable statutory value-added tax shall be relevant. Additional deliveries and services shall be invoiced separately.
- 6.2 Unless otherwise agreed, the prices shall be prices ex stock of TECE in Emsdetten including normal packaging.
- 6.3 Unless explicitly agreed otherwise, the amount invoiced shall be due without any deductions 30 days after the date of issue of the invoice.
- 6.4 Where the purchaser comes in default of payment, TECE shall be entitled to assert the rights arising under § 288 BGB (German Civil Code).
- 6.5 The purchaser shall only be entitled to rights of setoff if his counterclaims have been finally established, are undisputed or have been acknowledged by TECE. Moreover, he shall only be entitled to exercise a right of retention insofar as his counterclaim is based on the same contractual relationship.
- 6.6 Where TECE is aware of circumstances calling the purchaser's creditworthiness into question, TECE shall be entitled to demand advance payments or security deposits without prejudice to more far-reaching legal claims.
- 6.7 Cheques and bills of exchange, in respect of which TECE reserves acceptance, shall only be considered as payment following redemption. Possible discount and bank charges shall be at the expense of the purchaser.
- 6.8 The goods shall be delivered in accordance with these terms and conditions subject to the reservation of proprietary rights. As far as TECE agrees with the purchaser on payment of the purchase price debt via the cheque/bill of exchange procedure, the reservation of proprietary rights shall also extend to the purchaser's redemption of the bill of exchange accepted by TECE and not expire through credit entry of the received bill of exchange.

7. Warranty

- 7.1 The warranty rights of the purchaser shall require that the purchaser has properly met his obligations to perform an inspection and raise a complaint as owed under § 377 HGB (German Commercial Code).
- 7.2 The legal rights of recourse of the purchaser against TECE shall only be in place insofar as the purchaser has not reached any agreement with his customer that goes beyond the legal rights to claim damages for defects.
- 7.3.1 As far as the object of purchase shows a defect, for which TECE is responsible, TECE shall first be given the opportunity for subsequent performance within appropriate periods of time. TECE shall be entitled, at its own choice, to remedy the defects or make replacement delivery.
- 7.3.2 If subsequent performance fails, the purchaser shall be entitled – without prejudice to possible claims for damages – to withdraw from the contract or reduce the purchase price. Claims of the purchaser regarding the expenses required for subsequent performance, especially transportation costs, infrastructure costs, labour costs and costs of materials, shall be ruled out insofar as such expenses increase because the object of delivery was subsequently taken to a place other than the place of performance, unless taking the object there is part of its intended use.
- 7.4.1 Claims for damages because of defects shall not be in place in case of only insignificant deviations from the agreed quality, in case of an only insignificant impairment of usability, in the event of natural wear and tear and/or in case of damage having occurred after the transfer of risk due to inaccurate or negligent handling, excessive exposure, unsuitable operating devices and/or which arise because of particular external influences and/or are not stipulated in the contract.
- 7.4.2 If the operation and/or maintenance instructions given by TECE are not adhered to, inadmissible changes are made to the products, parts are exchanged and/or consumable materials are used, which do not comply with the original specifications, the liability of TECE for material defects shall cease to apply, unless the warranty case is verifiably not attributable to one of the aforementioned reasons for exclusion.
- 7.5 Claims because of material defects shall come under the statute of limitations in 12 months. This period shall begin running upon the transfer of risk. The aforementioned provisions shall not apply if the law stipulates longer periods pursuant to BGB §§ 438 Subsection 1 no. 2 (objects for buildings), 479 Subsection 1 (Right of Recourse) and 634 a (Constructional Defects).
- 7.6.1 Unless otherwise agreed hereafter, more far-reaching claims of the purchaser – on whatever legal grounds – shall be ruled out. Therefore, TECE shall not be liable for damage not having been caused to the delivery item itself; in particular, TECE shall not be liable for lost profits or other financial damage suffered by the purchaser.
- 7.6.2 If TECE infringes a cardinal obligation or essential contractual obligation through negligence, the liability to pay damages of TECE shall be limited to the sum insured of the product liability insurance, amounting to EUR 1.5 million. As far as the insurance does not provide cover, TECE shall be under obligation to provide compensation itself. On request, TECE is ready to let the purchaser inspect this policy. TECE undertakes to maintain the insurance until expiry of the warranty obligation subject to these conditions.
- 7.6.3 The aforementioned exclusions of liability shall not apply if the damage is attributable to wilful misconduct or gross negligence. Moreover, they shall not apply either to cases of bodily injury and/or damage to health and to cases, in which the purchaser asserts claims for damages due to a guarantee having been assumed for the existence of a certain quality/property, unless the purpose of the quality/property guarantee only extends to compliance of the underlying delivery with the provisions of the contract, but not to the risk of consequential damage caused by a defect. The aforementioned regulations are not associated with any change of the burden of proof to the disadvantage of the purchaser.
- 7.7 Payments made by TECE without explicit reason are a gesture of goodwill.

8. Joint and Several Liability

- 8.1 Any liability for damages going beyond what is stated in Section 7 shall be ruled out – without respect of the legal nature of the asserted claim – especially as far as the infringement of obligations under a non-contractual relationship and through an impermissible act is concerned.
- 8.2 The exclusion of liability pursuant to Subsection 8.1 above shall not apply to claims under the German Product Liability Act and in cases of damage to life, body or health.
- 8.3 As far as TECE's liability is ruled out or restricted, this shall also apply to the personal liability of employees, staff members, personnel, representatives and auxiliary persons of TECE.
- 8.4 The customer expressly warrants that he/she is entitled to publish and duplicate the texts and motifs. In particular, the customer hereby gives assurance that he/she will uphold all data-protection and privacy rights of all parties concerned. The customer shall not transmit any data whose content infringes any third-party rights (in particular those relating to competition or copyright law), or which violates existing laws or good morals. The customer hereby assumes full liability and exempts TECE from all third-party claims, in particular those relating to competition or copyright law. If claims are asserted against TECE, TECE shall also be indemnified against the legal costs necessary for its legal defence.

9. Reservation of Proprietary Rights

- 9.1 The goods delivered shall remain property of TECE until complete payment of all accounts receivable relating to the business relationship between TECE and the purchaser has been made. The inclusion of individual accounts receivable in a current invoice and the acknowledgement of the respective account balance shall not affect the reservation of proprietary rights. Only receipt of the equivalent amount by TECE shall be considered as payment.
- 9.2 If the purchaser acts in a manner contrary to contract, especially in the event of delayed payment, TECE shall be entitled to take back the object of purchase. The fact that TECE takes back the object of purchase shall not constitute withdrawal from the contract unless this is stated explicitly and in writing by TECE.
- 9.3 A seizure of the object of purchase by TECE shall always constitute withdrawal from the contract. After TECE has taken back the object of purchase, TECE shall be entitled to its commercialisation. The proceeds of commercialisation less reasonable costs of commercialisation shall be set off against the purchaser's account payable.
- 9.4 The purchaser shall be under obligation to handle the object of purchase with care. In particular, he shall be under obligation to sufficiently insure the object of purchase, according to its replacement value and at his own expense, against damage caused by fire, water and theft. Where maintenance and inspection works are required, the purchaser will have to carry out these works in due time at his own expense.
- 9.5 In the event of seizure or any other intervention by third parties, TECE shall be notified in writing without delay, so that TECE will be able to bring legal action pursuant to § 771 ZPO (Code of Civil Procedure). As far as the third party is unable to reimburse the judicial and extrajudicial costs of a lawsuit pursuant to § 771 ZPO to TECE, the purchaser shall be liable for the resulting loss.
- 9.6 The purchaser shall be entitled to resell the goods being subject to the reservation of proprietary rights in the framework of his regular course of business. However, he already now cedes to TECE all accounts receivable, which he acquires against his customers or third parties as a result of the resale, up to the final invoice amount (including value-added tax) of the accounts receivable, to which TECE is entitled. The cession shall be made regardless of whether the object of purchase has been resold without processing or after processing. TECE accepts the cession. If the ceded receivable against the acquirer of the goods being subject to the reservation of proprietary rights has been included in a current invoice (current account), the cession shall also refer to the acknowledged account balance and, in case of the respective customer's insolvency, to the "causal account balance" being in place in this event. In spite of the cession, the purchaser shall be entitled to collect this receivable. The authority of TECE to collect the receivable itself shall remain unaffected. However, TECE undertakes not to collect the receivable as long as the purchaser meets his payment obligations relating to the collected proceeds, as long as he is not in default of payment and, in particular, as long as no application for the opening of insolvency proceedings has been filed or no cessation of payments has occurred. Where this is the case, however, TECE shall be entitled to demand from the purchaser to notify TECE of the ceded accounts receivable and their respective debtors, provide any information necessary for collection, hand over the related documents and notify the debtors (third parties) of the cession.
- 9.7 Processing or alteration of the goods subject to the reservation of proprietary rights by the purchaser shall always be done on behalf of TECE. If the goods subject to the reservation of proprietary rights are processed together with other objects not belonging to TECE, TECE shall acquire co-ownership of the new object in accordance with the proportion between the value of the goods subject to the reservation of proprietary rights (final invoice amount including VAT) and the value of the other processed objects at the time of processing. Apart from that, the same regulations shall apply to the object having resulted from such processing activities as are applicable to the goods delivered subject to reservations.
- 9.8 If the goods subject to the reservation of proprietary rights are combined inseparably with other objects not belonging to TECE, TECE shall acquire co-ownership of the new object in accordance with the proportion between the value of the goods subject to the reservation of proprietary rights (final invoice amount including VAT) and the value of the other, combined objects at the time of such combination. If the combination is done in such a way that the object of the purchaser is to be regarded as the main object, it shall be considered as agreed that the purchaser transfers proportionate co-ownership to TECE. The purchaser shall store the resulting sole or joint property for TECE.
- 9.9 TECE undertakes to release the securities, to which TECE is entitled, on request from the purchaser insofar as the marketable value of the securities, to which TECE is entitled, exceeds the accounts receivable to be covered by more than 10 %. The securities to be released shall be selected by TECE.

10. Applicable Law, Place of Jurisdiction, Partial Voidness

- 10.1 For all current and future claims under the business relationship with contractors, legal entities under public law and special funds under public law including cheque receivables and bill of exchange-related receivables, the exclusive place of jurisdiction shall be the registered office of TECE in Emsdetten. However, TECE shall also be entitled to sue the purchaser at the court responsible for the purchaser's place of domicile.
- 10.2 Unless otherwise stated in the order confirmation, the registered office of TECE in Emsdetten shall be the place of performance.
- 10.3 These terms and conditions and all legal relationships between TECE and the purchaser shall be subject to the law of the Federal Republic of Germany. Any applicability of the U.N. Convention of 11 April 1980 on Contracts for the International Sale of Goods [Federal Gazette 1989 II p. 588, adjusted 1990 II, 1699] shall be ruled out.

Emsdetten/Germany, July 2023

TECE GmbH, Hollefeldstr. 57, 48282 Emsdetten
Limited liability company, Local Court Steinfurt / Germany, HRB no. 7461
Managing Directors: Hans-Joachim Sahlmann, Peter Fehlings, André Welle, Dr. Michael Freitag

Sanitary Systems

SANITARY CERAMICS





| | Page |
|----------------|------|
| Shower toilets | 8 |
| TECEneo | 8 |
| TECEone | 12 |
| Accessories | 16 |
| Spare parts | 22 |
| Toilets | 32 |
| TECEneo | 32 |
| Accessories | 34 |
| Spare parts | 35 |

Shower toilets - TECEneo

TECEneo set, hot and cold water

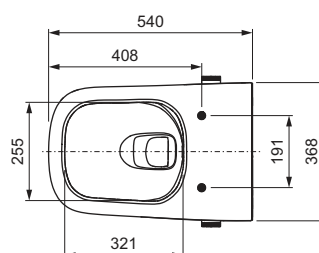
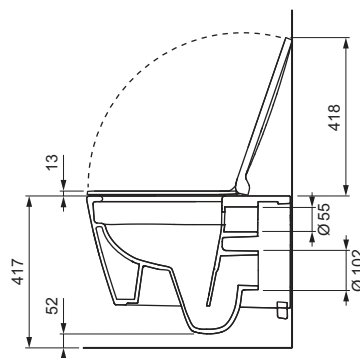
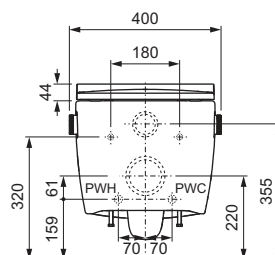
NEW

Set consisting of:

- TECEneo shower toilet with hot and cold water connection (9700205)
- TECE toilet seat with SLIM lid (9700603)
- Connection material including sound insulation tape, concealed attachment etc.



| Item No. | | DU 1 | DU 2 | DU 3 |
|----------|-----|-------|-------|-------|
| 9700213* | NEW | 1 pc. | 4 pc. | 8 pc. |



TECEneo shower toilet, hot and cold water

Water-saving, rimless toilet ceramic with integrated shower function for comfortable personal cleaning using water. Shower function without electricity via on-site hot and cold water connection, toilet ceramic for in-wall cisterns, simple new installation or retrofitting, individual combination options. Few components - easy maintenance.

Features of the shower function:

- Intuitive operation via side rotary knobs for water temperature and water volume
- Infinitely adjustable shower jet (full-volume shower jet up to 5.6 l/min)
- Infinitely adjustable water temperature (max. 38 °C)
- Replaceable shower arm caps
- Self-cleaning shower arm
- Approval according to EN 1717
- Minimum flow pressure 1.5 bar (max. 10 bar)
- Function via water pressure - no electrical connection required

Toilet ceramic features:

- Wall-hung toilet, flush-down type, for 6 and 4.5 litre flush volumes
- cyclon flush technology (thorough and quiet flushing)
- cera clean technology (surface for easy cleaning)
- Compact design - projection 540 mm
- Concealed wall attachment and concealed water connections
- Rimless ceramic with integrated splash guard
- pre fix technology: factory-moulded toilet seat attachment for a wobble-free seat and lid (compatible with all TECE shower toilet seats)
- Material: sanitary ceramics, colour white
- Hygiene-optimised ceramic design
- Approval according to EN 997
- Dimensions (W x H x D): 368 x 365 x 540 mm

Scope of supply:

- Toilet ceramic including concealed toilet mounting
- Designer rotary knobs in brushed stainless steel
- Reinforced hoses for water connection to standard corner valves
- Sound insulation
- Shower arm installation tool
- Device for descaling unit
- Cleaning box

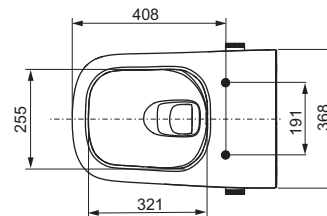
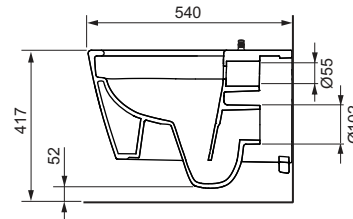
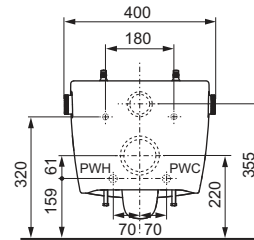
Please order separately:

- TECE toilet seat with CLASSIC lid (Item No. 9700600)
- TECE toilet seat with SLIM lid (Item No. 9700603)

Note:

A warm and cold water connection with corner valves must be installed on site for the shower function (see upgrade sets).

In combination with TECElux the lower attachment glass facing has to be selected (Item No. 9650109 or 9650110).



| Item No. | DU 1 | DU 2 | DU 3 |
|----------|-------|-------|-------|
| 9700205 | 1 pc. | 4 pc. | 8 pc. |

Shower toilets - TECEneo

TECEneo set, cold water

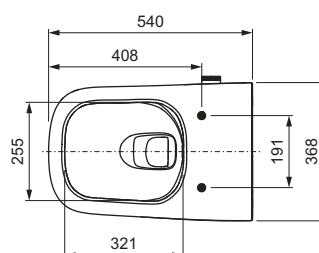
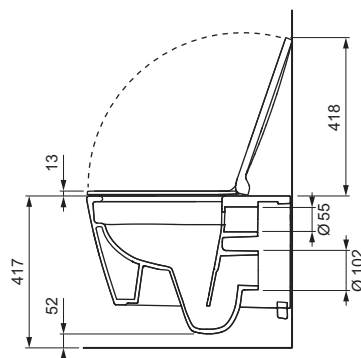
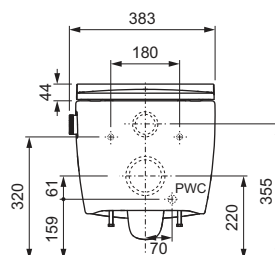
NEW

Set consisting of:

- TECEneo shower toilet with cold water connection (9700207)
- TECE toilet seat with SLIM lid (9700603)
- Connection material including sound insulation tape, concealed attachment etc.



| Item No. | | DU 1 | DU 2 | DU 3 |
|----------|-----|-------|-------|-------|
| 9700214* | NEW | 1 pc. | 4 pc. | 8 pc. |



TECEneo shower toilet, cold water

Water-saving, rimless toilet ceramic with integrated shower function for comfortable personal cleaning using water. Shower function uses the building's cold water connection and therefore requires no electricity, toilet ceramic appliance for in-wall cisterns, simple new installation or retrofitting, individual combination options. Few components - easy maintenance.

Features of the shower function:

- Intuitive operation via side rotary knob for water volume
- Infinitely adjustable shower jet (full-volume shower jet up to 5.6 l/min)
- Replaceable shower arm caps
- Self-cleaning shower arm
- Approval according to EN 17 17
- Minimum flow pressure 1.5 bar (max. 10 bar)
- Function via water pressure - no electrical connection required

Toilet ceramic features:

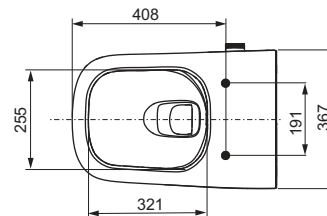
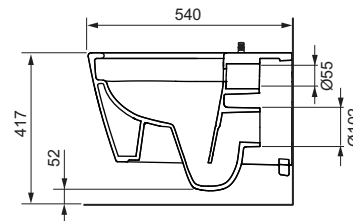
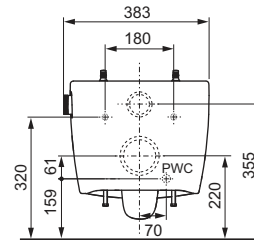
- Wall-hung toilet, flush-down type, for 6 and 4.5 litre flush volumes
- cyclon flush technology (thorough and quiet flushing)
- cera clean technology (surface for easy cleaning)
- Compact design - projection 540 mm
- Concealed wall attachment and concealed water connection
- Rimless ceramic with integrated splash guard
- pre fix technology: factory-moulded toilet seat attachment for a wobble-free seat and lid (compatible with all TECE shower toilet seats)
- Material: sanitary ceramics, colour white
- Hygiene-optimised ceramic design
- Approval according to EN 997
- Dimensions (W x H x D): 368 x 365 x 540 mm

Scope of supply:

- Toilet ceramic including concealed toilet mounting
- Design rotary knob in brushed stainless steel
- Reinforced hose for water connection to standard corner valve
- Sound insulation
- Shower arm installation tool
- Device for descaling unit
- Cleaning box

Please order separately:

- TECE toilet seat with CLASSIC lid (Item No. 9700600)
- TECE toilet seat with SLIM lid (Item No. 9700603)



| Item No. | DU 1 | DU 2 | DU 3 |
|----------|-------|-------|-------|
| 9700207 | 1 pc. | 4 pc. | 8 pc. |

Shower toilets - TECEone

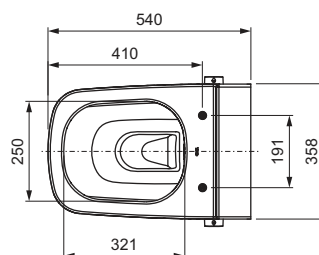
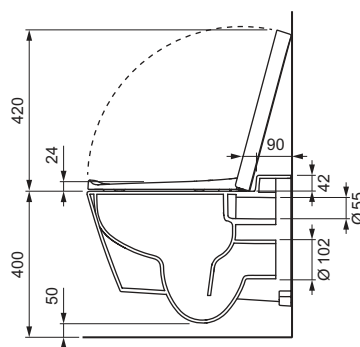
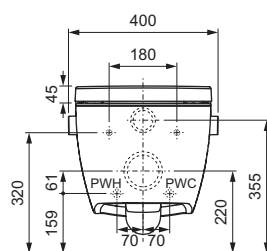
TECEone set, hot and cold water

NEW

Set consisting of:

- TECEone shower toilet with hot and cold water connection (9700200)
- TECE toilet seat with CLASSIC lid (9700600)
- Connection material including sound insulation tape, concealed fixing etc.

| Item No. | | DU 1 | DU 2 | DU 3 |
|----------|------------|-------|-------|-------|
| 9700216* | NEW | 1 pc. | 4 pc. | 8 pc. |



TECEone shower toilet, hot and cold water

Rimless toilet ceramic with integrated shower function for comfortable personal cleaning using water. The shower function uses the building's hot and cold water connections, and therefore requires no electricity. Toilet ceramics for in-wall cisterns, simple new installation or retrofitting, customised combination options, few components - easy maintenance.

Features of the shower function:

- Intuitive operation via side rotary knobs for water temperature and water volume
- Shower jet continuously adjustable up to 5.6 l/min
- Water temperature individually adjustable (max. 38 °C)
- Self-cleaning shower arm
- Replaceable shower arm caps
- Approval according to EN 1717
- Minimum flow pressure 1.5 bar (max. 10 bar)

Toilet ceramic features:

- Wall-hung toilet, flush-down type, for 6 and 4.5 litre flush volumes
- Compact design - projection 540 mm
- Concealed wall attachment and concealed water connections
- Rimless ceramic with integrated splash guard
- pre fix technology: factory-moulded toilet seat attachment for a wobble-free seat and lid (compatible with all TECE shower toilet seats)
- Material: sanitary ceramics, colour white
- Hygiene-optimised ceramic design
- Approval according to EN 997
- Dimensions (W x H x D): 358 x 350 x 540 mm

Scope of supply:

- Toilet ceramic including concealed toilet mounting
- Plastic rotary knobs, white-transparent with indication of temperature/water volume
- Reinforced hoses for water connection to standard corner valves
- Sound insulation
- Shower arm assembly tool

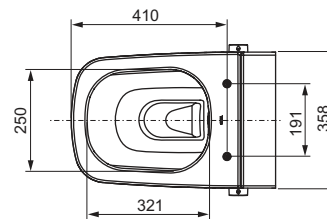
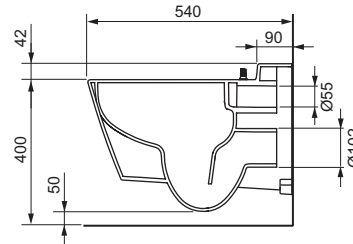
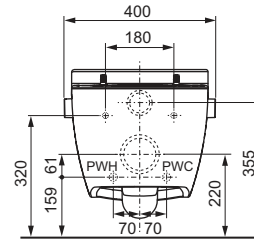
Please order separately:

- TECE toilet seat with CLASSIC lid (Item No. 9700600)
- TECE toilet seat with SLIM lid (Item No. 9700603)

Note:

A warm and cold water connection with corner valves must be installed on site for the shower function (see upgrade sets).

In combination with TECElux the lower attachment glass facing has to be selected (Item No. 9650109 or 9650110).



| Item No. | DU 1 | DU 2 | DU 3 |
|----------|-------|-------|-------|
| 9700200 | 1 pc. | 4 pc. | 8 pc. |

Shower toilets - TECEone

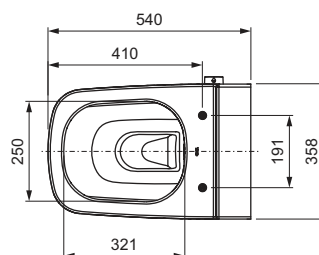
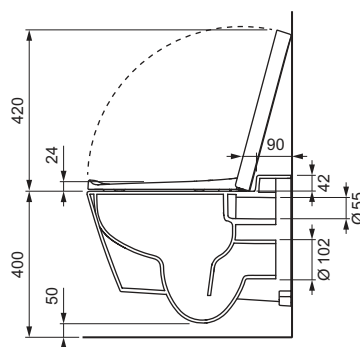
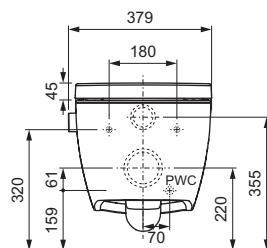
TECEone set, cold water

NEW

Set consisting of:

- TECEone shower toilet with cold water connection (9700201)
- TECE toilet seat with CLASSIC lid (9700600)
- Connection material including sound insulation tape, concealed fixing etc.

| Item No. | | DU 1 | DU 2 | DU 3 |
|----------|------------|-------|-------|-------|
| 9700212* | NEW | 1 pc. | 4 pc. | 8 pc. |



TECEone shower toilet, cold water

Rimless toilet ceramic with integrated shower function for comfortable personal cleaning using water. The shower function uses the building's cold water connections, and therefore requires no electricity. Toilet ceramics for in-wall cisterns, simple new installation or retrofitting, customised combination options, few components - easy maintenance.

Shower function features:

- Intuitive operation via side rotary knob for water volume
- Shower jet continuously adjustable up to 5.6 l/min
- Self-cleaning shower arm
- Replaceable shower arm caps
- Approval according to EN 1717
- Minimum flow pressure 1.5 bar (max. 10 bar)

Toilet ceramic features:

- Wall-hung toilet, flush-down type, for 6 and 4.5 litre flush volumes
- Compact design - projection 540 mm
- Concealed wall attachment and concealed water connection
- Rimless ceramic with integrated splash guard
- pre fix technology: factory-moulded toilet seat attachment for a wobble-free seat and lid (compatible with all TECE shower toilet seats)
- Material: sanitary ceramics, colour white
- Hygiene-optimised ceramic design
- Approval according to EN 997
- Dimensions (W x H x D): 358 x 350 x 540 mm

Scope of supply:

- Toilet ceramic including concealed toilet mounting
- Plastic rotary knob, white-transparent with indication of water volume
- Reinforced hose for water connection to standard corner valve

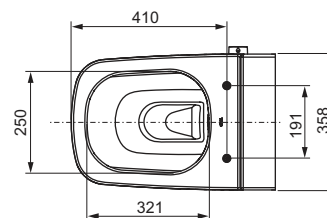
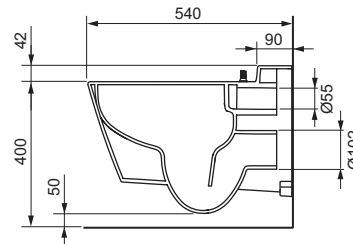
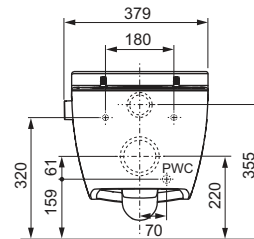
Please order separately:

- TECE toilet seat with CLASSIC lid (Item No. 9700600)
- TECE toilet seat with SLIM lid (Item No. 9700603)

Note:

A cold water connection with corner valve must be pre-fitted on site for the shower function (see upgrade kits).

In combination with TECElux the lower attachment glass panel has to be selected (Item No. 9650109 or 9650110).



| Item No. | DU 1 | DU 2 | DU 3 |
|----------|-------|-------|-------|
| 9700201 | 1 pc. | 4 pc. | 8 pc. |

Shower toilets – Accessories

TECE toilet seat with SLIM lid

Toilet seat with lid in a particularly slim design, suitable for TECE (shower) toilets with pre fix technology.

Toilet seat features:

- Particularly slim design, lid encloses seat
- pre fix technology for a wobble-free seat and lid
- Quick installation thanks to pre fix technology: attach and tighten screw if required.
- Hinges made of glass fibre-reinforced high-performance plastic with "soft-close" lowering system
- Easy to remove: Slotted head screw can be loosened without tools
- Easy to clean, complete seat and lid unit can be removed
- Toilet seat with ergonomic design for comfortable seating posture
- Prevents 'splashing', e.g. with small children, thanks to the extension of the seat at the front inside.
- Made of torsion-resistant Duroplast, colour white
- Approval according to DIN 19516



| Item No. | DU 1 | DU 2 |
|----------|-------|-------|
| 9700603 | 1 pc. | 5 pc. |

TECE toilet seat with CLASSIC lid

Toilet seat with lid, suitable for TECE (shower) toilets with pre fix technology.

Toilet seat features:

- Lid encloses seat
- pre fix technology for a wobble-free seat and lid
- Quick installation thanks to pre fix technology: attach and tighten screw if required.
- Hinges made of glass fibre-reinforced high-performance plastic with "soft-close" lowering system
- Easy to remove
- Easy to clean, complete seat and lid unit can be removed
- Toilet seat with ergonomic design for comfortable seating posture
- Prevents 'splashing', e.g. with small children, thanks to the extension of the seat at the inside front.
- Made of torsion-resistant Duroplast, colour white
- Approval according to DIN 19516

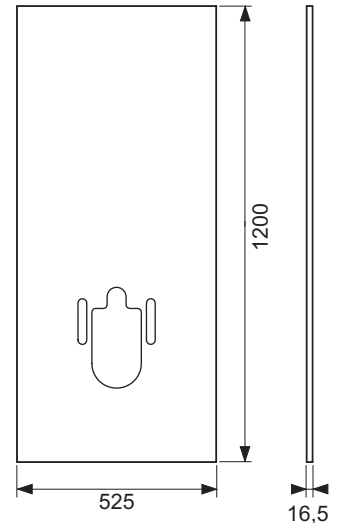


| Item No. | DU 1 | DU 2 |
|----------|-------|-------|
| 9700600 | 1 pc. | 5 pc. |

TECE retrofit plate for TECE shower toilets

Universal retrofit cover for easy retrofitting of a TECE toilet cold water in an existing bathroom.

- Ideal for renovation work
- Base material made of polyurethane material on a hard foam basis
- Surface lamination made of HPL material with extra matt surface and anti-fingerprint
- Glued edges
- Back with cut-outs for the reinforced hose guide and toilet connection
- Moisture-resistant and pressure-resistant material, DIN tested
- Customised cutting of the access for the flush plate possible
- For frames with a standard height of 1120 mm
- Approx. dimensions: 1200 x 525 x 16.5 mm



| Colour | Item No. | DU 1 | DU 2 |
|------------|----------|-------|--------|
| Matt white | 9700620 | 1 pc. | 20 pc. |
| Matt black | 9700621 | 1 pc. | 20 pc. |

TECE shower nozzle cap

Interchangeable top caps (3 items) for individualising the shower jet intensity and the shower jet angle.



| Version | Colour | Item No. | DU 1 |
|----------------|--------|----------|-------|
| "standard" 75° | White | 9820403 | 1 pc. |
| "standard" 90° | White | 9820404 | 1 pc. |
| "medium" 90° | White | 9820405 | 1 pc. |
| "small" 90° | White | 9820406 | 1 pc. |

TECE shower toilet rotary knob

For individualisation of the TECEno and TECEone, simply interchangeable by plugging on. Elegant variants with side indentations for grip, plastic variants each with additional printed operating instructions.



| Version | Colour | Item No. | DU 1 |
|--------------------------|-------------------------|----------|-------|
| Temperature/Water volume | Matt black | 9700606 | 1 pc. |
| Temperature/Water volume | Brushed stainless steel | 9700608 | 1 pc. |
| Temperature | Plastic white | 9820361 | 1 pc. |
| Water volume | Plastic white | 9820362 | 1 pc. |

Shower toilets – Accessories

TECE upgrade set brick-wall 8 cm for TECE shower toilets

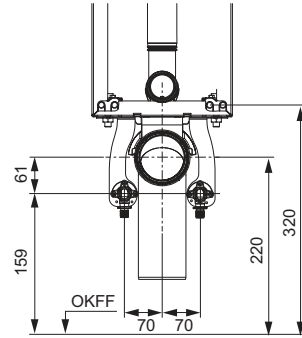
Sound-decoupled shell set for pre-fitting brick-wall cisterns with Octa II and Base 8 cisterns for the water connection of a TECE shower toilet.

Shell set consisting of:

- Holding plates for hot and cold water connections
- Sound insulation for wall discs
- Fastening screws for wall discs



| | |
|-----------------|-------------|
| Item No. | DU 1 |
| 9880048 | 1 pc. |



TECE upgrade set brick-wall for TECE shower toilets

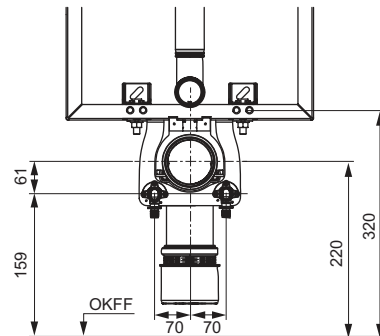
Sound-decoupled shell set for pre-fitting brick-wall cisterns with Uni cisterns (installation depth 13 cm) for the water connection of a TECE shower toilet.

Shell set consisting of:

- Holding plate for hot and cold water connections
- Sound insulation for wall discs
- Fixing screws for wall discs
- Mounting material



| | | |
|-----------------|-------------|-------------|
| Item No. | DU 1 | DU 2 |
| 9880047 | 1 pc. | 25 pc. |



TECE upgrade set dry-wall for TECE shower toilets

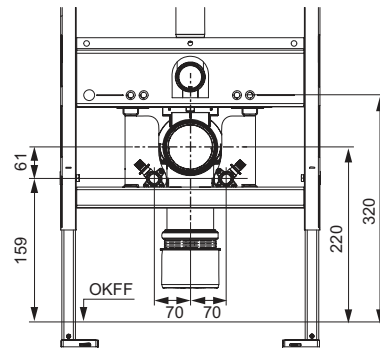
Sound-decoupled shell construction set for pre-fitting dry-wall modules with Uni and Base cisterns for the water connection of a TECE shower toilet.

Shell set consisting of:

- Holding plates for hot and cold water connections
- Sound insulation for wall discs
- Fixing screws for wall discs
- Safety pins for holding plates



| Item No. | DU 1 | DU 2 |
|----------|-------|---------|
| 9880046 | 1 pc. | 100 pc. |



TECE upgrade set dry-wall 8 cm for TECE shower toilets

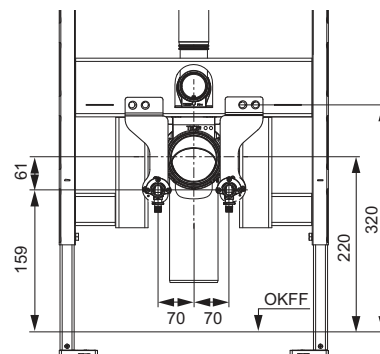
Sound-decoupled shell construction set for pre-fitting dry-wall modules with Octa II and Base 8 cisterns for the water connection of a TECE shower toilet.

Shell set consisting of:

- Holding plates for hot and cold water connection
- Sound protection elements for wall discs
- Attachment screws for wall discs
- Two M 12 x 20 screws incl. spacer sleeves



| Item No. | DU 1 |
|----------|------------|
| 9880056 | SALE 1 pc. |



Shower toilets – Accessories

TECE dry-wall construction upgrade set 8 cm for TECE shower toilets, **NEW** depth-adjustable

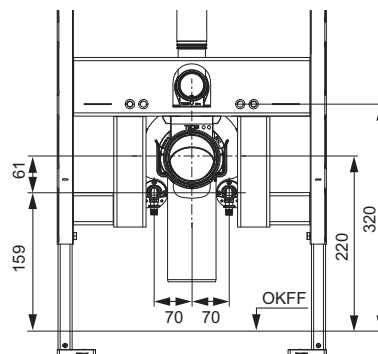
Sound-insulated shell set for pre-fitting dry-wall modules with Octa II and Base 8 cisterns for the water connection of a TECE shower toilet, depth-adjustable.

Shell set consisting of:

- Holding plates for hot and cold water connections
- Sound-proofing elements for wall discs
- Fastening screws for wall discs
- Two screws including spacer sleeves



| Item No. | | DU 1 |
|----------|------------|-------|
| 9880082* | NEW | 1 pc. |



TECE corner valves

Two chromed corner valves (1/2" x 3/8") including rosettes.

| Item No. | | DU 1 |
|----------|--|-------|
| 9820464 | | 1 set |



TECE wall disks made of silicon bronze

Two wall discs 1/2" x 1/2" internal thread; for optional combination with an upgrade set for TECE shower toilets; as a universal transition to common pipe systems.

| Item No. | | DU 1 | DU 2 |
|----------|--|-------|--------|
| 9021032 | | 1 pc. | 35 pc. |



TECE descaling set

Set for descaling TECE shower toilets.

Consisting of:

- Splash guard
- Descaling tabs
- Closure cover



| Item No. | | DU 1 |
|----------|--|-------|
| 9820580 | | 1 pc. |

TECE descaling tablets

4 tabs for descaling the TECE shower toilets.

| Item No. | DU 1 | DU 2 |
|----------|-------|---------|
| 9820591 | 1 set | 108 set |



TECE shower toilet cleaning box for shower arm

For touch-free and easy cleaning of the shower arm, with a holder for a standard household sponge.

| Item No. | DU 1 |
|----------|-------|
| 9700605 | 1 pc. |



TECEneo descaling unit

Supplement to the TECEno shower toilet, for simplified descaling.

Consisting of:

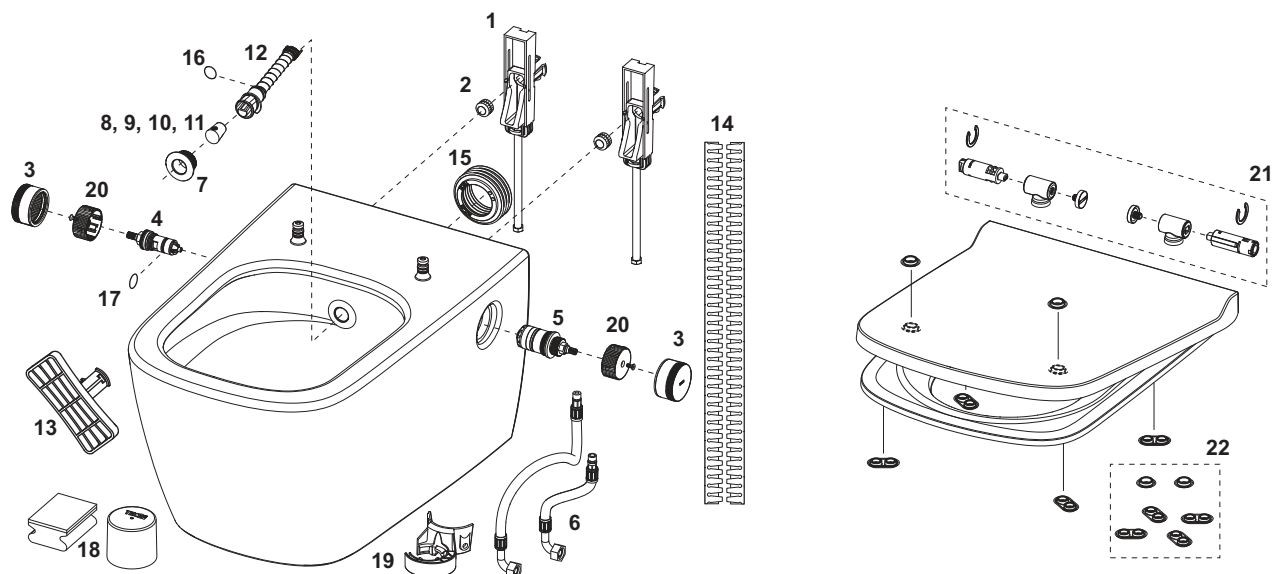
- Brass descaling housing
- Descaling plug with holder for TECE descaling tab including turning aid
- TECE descaling tabs (4 pieces)
- Reinforced hose
- Descaling cap for shower arm

| Item No. | DU 1 |
|----------|-------|
| 9700625 | 1 pc. |



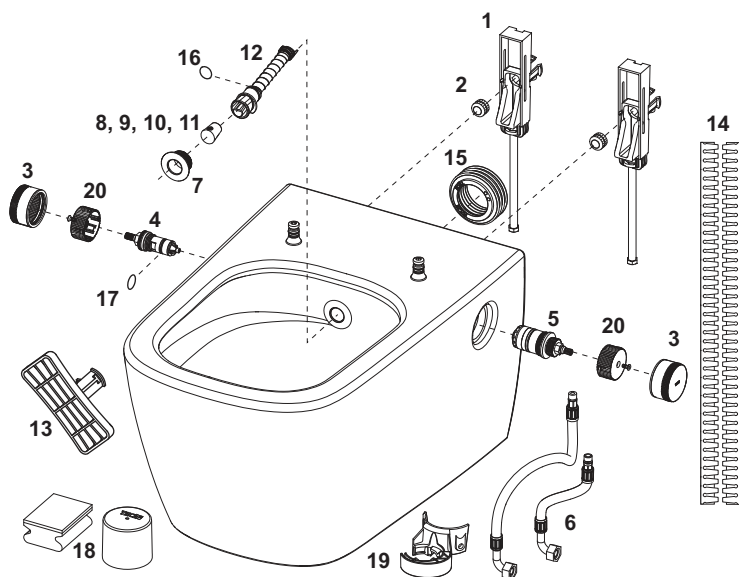
Shower toilets – Spare parts

9700213 – TECNeo set, hot and cold water



| Pos. | Item No. | Designation | DU 1 |
|------|----------|---|------------------|
| 1 | 9820356 | Concealed mounting | 1 pc. |
| 2 | 9820357 | Knurled nut (2 x) for concealed mounting | 1 pc. |
| 3 | 9700606 | Control knob, matt black | 1 pc. |
| | 9700608 | Control knob, brushed stainless steel | 1 pc. |
| 4 | 9820469 | Ceramic cartridge including EN 1717 safeguard | 1 pc. |
| 5 | 9820360 | Thermostatic cartridge | 1 pc. |
| 6 | 9820471 | Reinforced hoses (from 2021) | 1 pc. |
| 7 | 9820364 | Rosette, white | 1 pc. |
| 8 | 9820403 | Shower nozzle cap (3 x) "standard" 75°, white | 1 pc. |
| 9 | 9820404 | Shower nozzle cap (3 x) "standard" 90°, white | 1 pc. |
| 10 | 9820405 | Shower nozzle cap (3 x) "medium" 90°, white | 1 pc. |
| 11 | 9820406 | Shower nozzle cap (3 x) "small" 90°, white | 1 pc. |
| 12 | 9820363 | Shower arm complete set, white | 1 pc. |
| 13 | 9820422 | Removal tool shower arm | 1 pc. |
| 14 | 9820351 | Sound insulation tape | 1 pc. |
| 15 | 9820484 | Seal for flush pipe connection | 1 pc. |
| 16 | 9820585 | O-ring for shower arm spring retainer | 1 pc. |
| 17 | 9820586 | O-ring for safety device EN 1717 | 1 pc. |
| 18 | 9700605 | Cleaning box for shower bar | 1 pc. |
| 19 | 9820697 | Bracket for descaling unit | 1 pc. |
| 20 | 9820703 | Snap-on wheel | NEW 1 pc. |
| 21 | 9820672 | Fitting and damper for SLIM seat/lid | 1 pc. |
| 22 | 9820673 | Buffer set for SLIM seat/lid | 1 pc. |

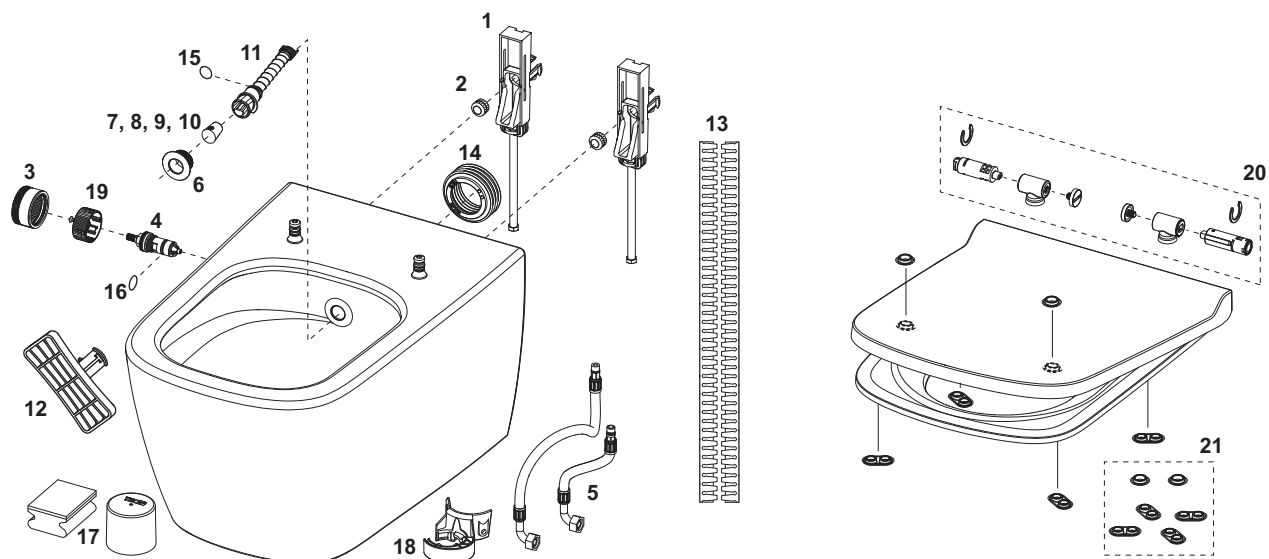
9700205 – TECNeo shower toilet, hot and cold water



| Pos. | Item No. | Designation | DU 1 |
|------|----------|---|------------------|
| 1 | 9820356 | Concealed mounting | 1 pc. |
| 2 | 9820357 | Knurled nut (2 x) for concealed mounting | 1 pc. |
| 3 | 9700606 | Control knob, matt black | 1 pc. |
| | 9700608 | Control knob, brushed stainless steel | 1 pc. |
| 4 | 9820469 | Ceramic cartridge including EN 1717 safeguard | 1 pc. |
| 5 | 9820360 | Thermostatic cartridge | 1 pc. |
| 6 | 9820471 | Reinforced hoses (from 2021) | 1 pc. |
| 7 | 9820364 | Rosette, white | 1 pc. |
| 8 | 9820403 | Shower nozzle cap (3 x) "standard" 75°, white | 1 pc. |
| 9 | 9820404 | Shower nozzle cap (3 x) "standard" 90°, white | 1 pc. |
| 10 | 9820405 | Shower nozzle cap (3 x) "medium" 90°, white | 1 pc. |
| 11 | 9820406 | Shower nozzle cap (3 x) "small" 90°, white | 1 pc. |
| 12 | 9820363 | Shower arm complete set, white | 1 pc. |
| 13 | 9820422 | Removal tool shower arm | 1 pc. |
| 14 | 9820351 | Sound insulation tape | 1 pc. |
| 15 | 9820484 | Seal for flush pipe connection | 1 pc. |
| 16 | 9820585 | O-ring for shower arm spring retainer | 1 pc. |
| 17 | 9820586 | O-ring for safety device EN 1717 | 1 pc. |
| 18 | 9700605 | Cleaning box for shower bar | 1 pc. |
| 19 | 9820697 | Bracket for descaling unit | 1 pc. |
| 20 | 9820703 | Snap-on wheel | NEW 1 pc. |

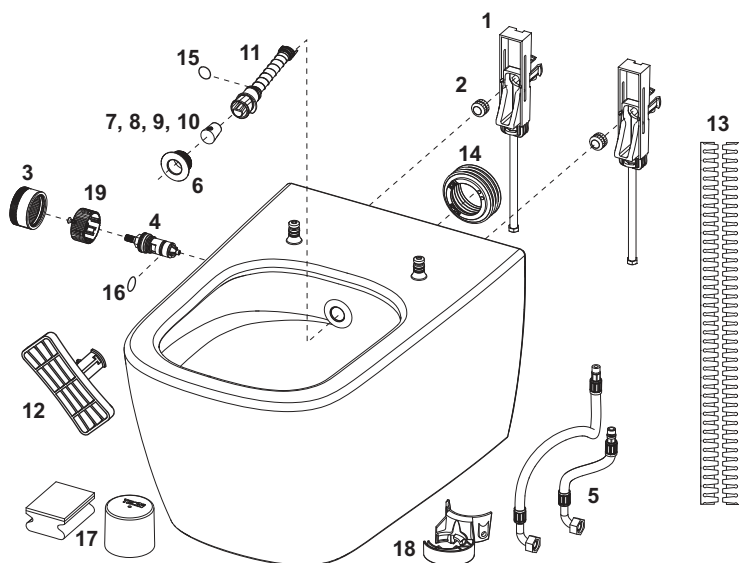
Shower toilets – Spare parts

9700214 – TECNeo set, cold water



| Pos. | Item No. | Designation | DU 1 |
|------|----------|---|------------------|
| 1 | 9820356 | Concealed mounting | 1 pc. |
| 2 | 9820357 | Knurled nut (2 x) for concealed mounting | 1 pc. |
| 3 | 9700606 | Control knob, matt black | 1 pc. |
| | 9700608 | Control knob, brushed stainless steel | 1 pc. |
| 4 | 9820469 | Ceramic cartridge including EN 1717 safeguard | 1 pc. |
| 5 | 9820471 | Reinforced hoses (from 2021) | 1 pc. |
| 6 | 9820364 | Rosette, white | 1 pc. |
| 7 | 9820403 | Shower nozzle cap (3 x) "standard" 75°, white | 1 pc. |
| 8 | 9820404 | Shower nozzle cap (3 x) "standard" 90°, white | 1 pc. |
| 9 | 9820405 | Shower nozzle cap (3 x) "medium" 90°, white | 1 pc. |
| 10 | 9820406 | Shower nozzle cap (3 x) "small" 90°, white | 1 pc. |
| 11 | 9820363 | Shower arm complete set, white | 1 pc. |
| 12 | 9820422 | Removal tool shower arm | 1 pc. |
| 13 | 9820351 | Sound insulation tape | 1 pc. |
| 14 | 9820484 | Seal for flush pipe connection | 1 pc. |
| 15 | 9820585 | O-ring for shower arm spring retainer | 1 pc. |
| 16 | 9820586 | O-ring for safety device EN 1717 | 1 pc. |
| 17 | 9700605 | Cleaning box for shower bar | 1 pc. |
| 18 | 9820697 | Bracket for descaling unit | 1 pc. |
| 19 | 9820703 | Snap-on wheel | NEW 1 pc. |
| 20 | 9820672 | Fitting and damper for SLIM seat/lid | 1 pc. |
| 21 | 9820673 | Buffer set for SLIM seat/lid | 1 pc. |

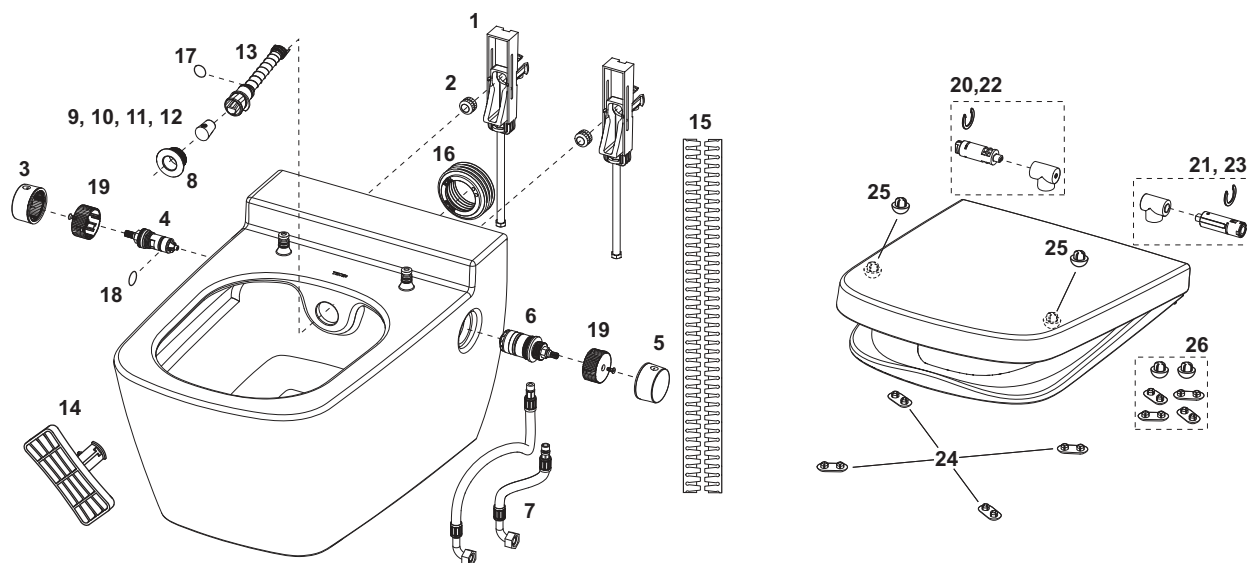
9700207 – TECNeo shower toilet, cold water



| Pos. | Item No. | Designation | DU 1 |
|------|----------|---|------------------|
| 1 | 9820356 | Concealed mounting | 1 pc. |
| 2 | 9820357 | Knurled nut (2 x) for concealed mounting | 1 pc. |
| 3 | 9700606 | Control knob, matt black | 1 pc. |
| | 9700608 | Control knob, brushed stainless steel | 1 pc. |
| 4 | 9820469 | Ceramic cartridge including EN 1717 safeguard | 1 pc. |
| 5 | 9820471 | Reinforced hoses (from 2021) | 1 pc. |
| 6 | 9820364 | Rosette, white | 1 pc. |
| 7 | 9820403 | Shower nozzle cap (3 x) "standard" 75°, white | 1 pc. |
| 8 | 9820404 | Shower nozzle cap (3 x) "standard" 90°, white | 1 pc. |
| 9 | 9820405 | Shower nozzle cap (3 x) "medium" 90°, white | 1 pc. |
| 10 | 9820406 | Shower nozzle cap (3 x) "small" 90°, white | 1 pc. |
| 11 | 9820363 | Shower arm complete set, white | 1 pc. |
| 12 | 9820422 | Removal tool shower arm | 1 pc. |
| 13 | 9820351 | Sound insulation tape | 1 pc. |
| 14 | 9820484 | Seal for flush pipe connection | 1 pc. |
| 15 | 9820585 | O-ring for shower arm spring retainer | 1 pc. |
| 16 | 9820586 | O-ring for safety device EN 1717 | 1 pc. |
| 17 | 9700605 | Cleaning box for shower bar | 1 pc. |
| 18 | 9820697 | Bracket for descaling unit | 1 pc. |
| 19 | 9820703 | Snap-on wheel | NEW 1 pc. |

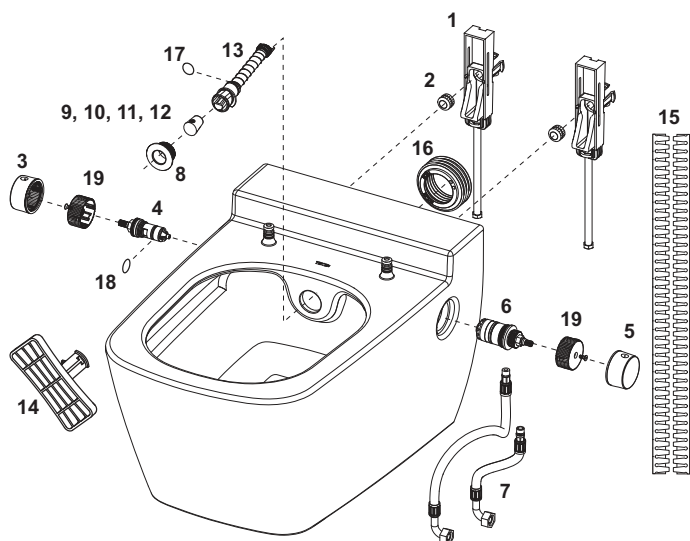
Shower toilets – Spare parts

9700216 – TECEone set, hot and cold water



| Pos. | Item No. | Designation | DU 1 |
|------|----------|--|------------------|
| 1 | 9820356 | Concealed mounting | 1 pc. |
| 2 | 9820357 | Knurled nut (2 x) for concealed mounting | 1 pc. |
| 3 | 9820362 | Control knob water volume, plastic white | 1 pc. |
| 4 | 9820469 | Ceramic cartridge including EN 1717 safeguard | 1 pc. |
| 5 | 9820361 | Control knob temperature, plastic white | 1 pc. |
| 6 | 9820360 | Thermostatic cartridge | 1 pc. |
| 7 | 9820471 | Reinforced hoses (from 2021) | 1 pc. |
| | 9820365 | Reinforced hoses hot and cold (until 2020) | 1 pc. |
| 8 | 9820364 | Rosette, white | 1 pc. |
| 9 | 9820403 | Shower nozzle cap (3 x) "standard" 75°, white | 1 pc. |
| 10 | 9820404 | Shower nozzle cap (3 x) "standard" 90°, white | 1 pc. |
| 11 | 9820405 | Shower nozzle cap (3 x) "medium" 90°, white | 1 pc. |
| 12 | 9820406 | Shower nozzle cap (3 x) "small" 90°, white | 1 pc. |
| 13 | 9820363 | Shower arm complete set, white | 1 pc. |
| 14 | 9820422 | Removal tool shower arm | 1 pc. |
| 15 | 9820351 | Sound insulation tape | 1 pc. |
| 16 | 9820484 | Seal for flush pipe connection | 1 pc. |
| 17 | 9820585 | O-ring for shower arm spring retainer | 1 pc. |
| 18 | 9820586 | O-ring for safety device EN 1717 | 1 pc. |
| 19 | 9820703 | Snap-on wheel | NEW 1 pc. |
| 20 | 9820581 | Fitting left and damper for cover (from 2021) | 1 pc. |
| 21 | 9820582 | Fitting right and damper for seat (from 2021) | 1 pc. |
| 22 | 9820695 | Fitting left and damper for cover (from 03/2023) | 1 pc. |
| 23 | 9820696 | Fitting right and damper for seat (from 03/2023) | 1 pc. |
| 24 | 9820423 | Toilet seat bearing pad (4 pieces) | 1 pc. |
| 25 | 9820465 | Lid bearing pad (2 pieces) | 1 pc. |
| 26 | 9820583 | Support buffer complete (from 2021) | 1 pc. |

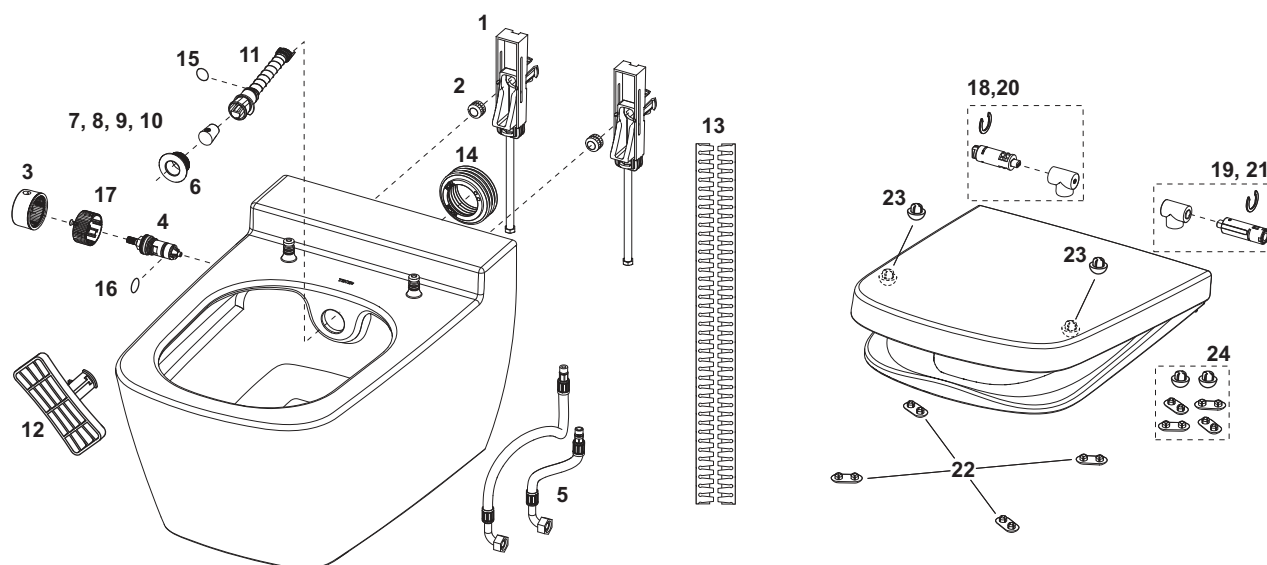
9700200 – TECEone shower toilet, hot and cold water



| Pos. | Item No. | Designation | DU 1 |
|------|----------|---|------------------|
| 1 | 9820356 | Concealed mounting | 1 pc. |
| 2 | 9820357 | Knurled nut (2 x) for concealed mounting | 1 pc. |
| 3 | 9820362 | Control knob water volume, plastic white | 1 pc. |
| 4 | 9820469 | Ceramic cartridge including EN 1717 safeguard | 1 pc. |
| 5 | 9820361 | Control knob temperature, plastic white | 1 pc. |
| 6 | 9820360 | Thermostatic cartridge | 1 pc. |
| 7 | 9820471 | Reinforced hoses (from 2021) | 1 pc. |
| | 9820365 | Reinforced hoses hot and cold (until 2020) | 1 pc. |
| 8 | 9820364 | Rosette, white | 1 pc. |
| 9 | 9820403 | Shower nozzle cap (3 x) "standard" 75°, white | 1 pc. |
| 10 | 9820404 | Shower nozzle cap (3 x) "standard" 90°, white | 1 pc. |
| 11 | 9820405 | Shower nozzle cap (3 x) "medium" 90°, white | 1 pc. |
| 12 | 9820406 | Shower nozzle cap (3 x) "small" 90°, white | 1 pc. |
| 13 | 9820363 | Shower arm complete set, white | 1 pc. |
| 14 | 9820422 | Removal tool shower arm | 1 pc. |
| 15 | 9820351 | Sound insulation tape | 1 pc. |
| 16 | 9820484 | Seal for flush pipe connection | 1 pc. |
| 17 | 9820585 | O-ring for shower arm spring retainer | 1 pc. |
| 18 | 9820586 | O-ring for safety device EN 1717 | 1 pc. |
| 19 | 9820703 | Snap-on wheel | NEW 1 pc. |

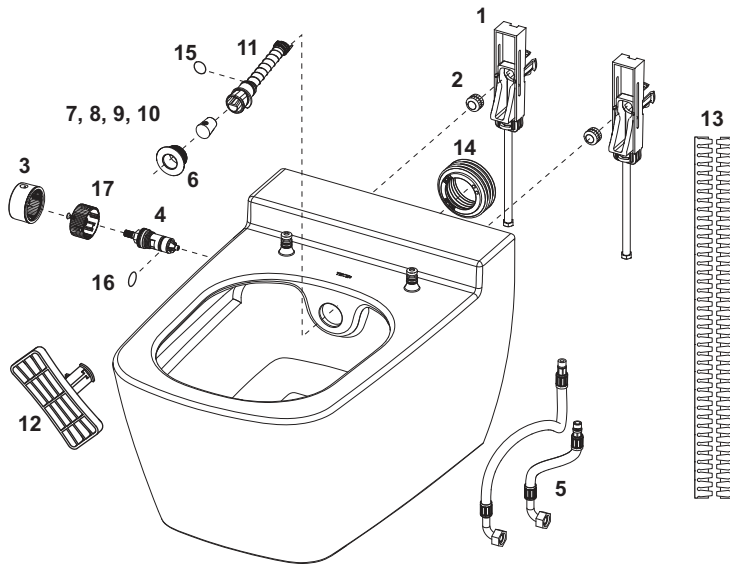
Shower toilets – Spare parts

9700212 – TECEone set, cold water



| Pos. | Item No. | Designation | DU 1 |
|------|----------|--|------------------|
| 1 | 9820356 | Concealed mounting | 1 pc. |
| 2 | 9820357 | Knurled nut (2 x) for concealed mounting | 1 pc. |
| 3 | 9820362 | Control knob water volume, plastic white | 1 pc. |
| 4 | 9820469 | Ceramic cartridge including EN 1717 safeguard | 1 pc. |
| 5 | 9820471 | Reinforced hoses (from 2021) | 1 pc. |
| 6 | 9820364 | Rosette, white | 1 pc. |
| 7 | 9820403 | Shower nozzle cap (3 x) "standard" 75°, white | 1 pc. |
| 8 | 9820404 | Shower nozzle cap (3 x) "standard" 90°, white | 1 pc. |
| 9 | 9820405 | Shower nozzle cap (3 x) "medium" 90°, white | 1 pc. |
| 10 | 9820406 | Shower nozzle cap (3 x) "small" 90°, white | 1 pc. |
| 11 | 9820363 | Shower arm complete set, white | 1 pc. |
| 12 | 9820422 | Removal tool shower arm | 1 pc. |
| 13 | 9820351 | Sound insulation tape | 1 pc. |
| 14 | 9820484 | Seal for flush pipe connection | 1 pc. |
| 15 | 9820585 | O-ring for shower arm spring retainer | 1 pc. |
| 16 | 9820586 | O-ring for safety device EN 1717 | 1 pc. |
| 17 | 9820703 | Snap-on wheel | NEW 1 pc. |
| 18 | 9820581 | Fitting left and damper for cover (from 2021) | 1 pc. |
| 19 | 9820582 | Fitting right and damper for seat (from 2021) | 1 pc. |
| 20 | 9820695 | Fitting left and damper for cover (from 03/2023) | 1 pc. |
| 21 | 9820696 | Fitting right and damper for seat (from 03/2023) | 1 pc. |
| 22 | 9820423 | Toilet seat bearing pad (4 pieces) | 1 pc. |
| 23 | 9820465 | Lid bearing pad (2 pieces) | 1 pc. |
| 24 | 9820583 | Support buffer complete (from 2021) | 1 pc. |

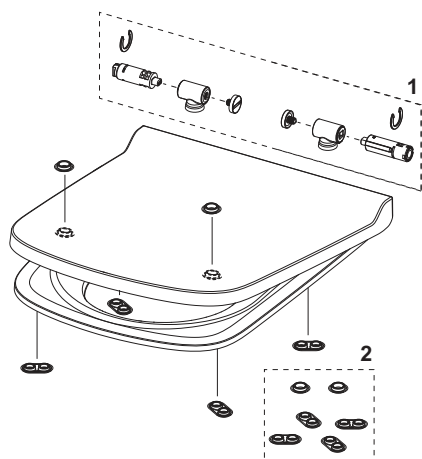
9700201 – TECEone shower toilet, cold water



| Pos. | Item No. | Designation | DU 1 |
|------|----------|---|------------------|
| 1 | 9820356 | Concealed mounting | 1 pc. |
| 2 | 9820357 | Knurled nut (2 x) for concealed mounting | 1 pc. |
| 3 | 9820362 | Control knob water volume, plastic white | 1 pc. |
| 4 | 9820469 | Ceramic cartridge including EN 1717 safeguard | 1 pc. |
| 5 | 9820471 | Reinforced hoses (from 2021) | 1 pc. |
| 6 | 9820364 | Rosette, white | 1 pc. |
| 7 | 9820403 | Shower nozzle cap (3 x) "standard" 75°, white | 1 pc. |
| 8 | 9820404 | Shower nozzle cap (3 x) "standard" 90°, white | 1 pc. |
| 9 | 9820405 | Shower nozzle cap (3 x) "medium" 90°, white | 1 pc. |
| 10 | 9820406 | Shower nozzle cap (3 x) "small" 90°, white | 1 pc. |
| 11 | 9820363 | Shower arm complete set, white | 1 pc. |
| 12 | 9820422 | Removal tool shower arm | 1 pc. |
| 13 | 9820351 | Sound insulation tape | 1 pc. |
| 14 | 9820484 | Seal for flush pipe connection | 1 pc. |
| 15 | 9820585 | O-ring for shower arm spring retainer | 1 pc. |
| 16 | 9820586 | O-ring for safety device EN 1717 | 1 pc. |
| 17 | 9820703 | Snap-on wheel | NEW 1 pc. |

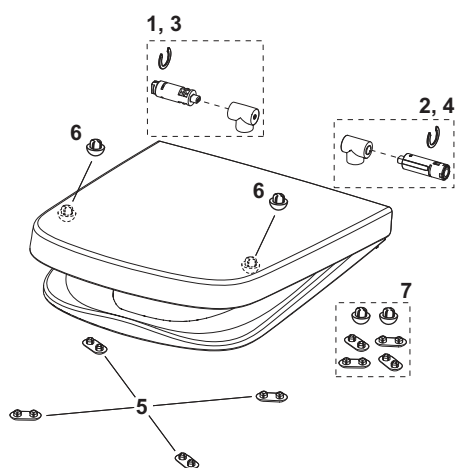
Shower toilets – Spare parts

9700603 – TECE toilet seat with SLIM lid



| Pos. | Item No. | Designation | DU 1 |
|------|----------|--------------------------------------|-------|
| 1 | 9820672 | Fitting and damper for SLIM seat/lid | 1 pc. |
| 2 | 9820673 | Buffer set for SLIM seat/lid | 1 pc. |

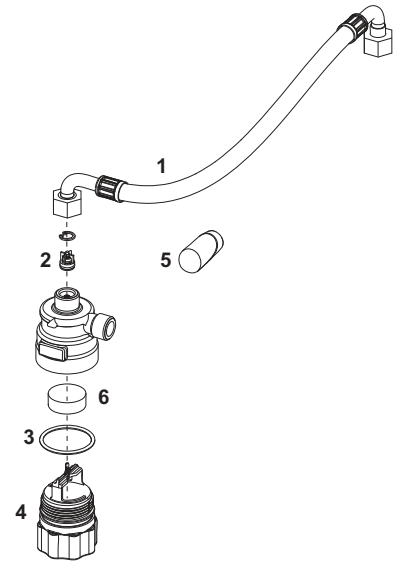
9700600 – TECE toilet seat with CLASSIC lid



| Pos. | Item No. | Designation | DU 1 |
|------|----------|--|-------|
| 1 | 9820581 | Fitting left and damper for cover (from 2021) | 1 pc. |
| 2 | 9820582 | Fitting right and damper for seat (from 2021) | 1 pc. |
| 3 | 9820695 | Fitting left and damper for cover (from 03/2023) | 1 pc. |
| 4 | 9820696 | Fitting right and damper for seat (from 03/2023) | 1 pc. |
| 5 | 9820423 | Toilet seat bearing pad (4 pieces) | 1 pc. |
| 6 | 9820465 | Lid bearing pad (2 pieces) | 1 pc. |
| 7 | 9820583 | Support buffer complete (from 2021) | 1 pc. |

9700625 – TECEneo descaling unit

| Pos. | Item No. | Designation | DU 1 |
|------|----------|---|-------|
| 1 | 9820658 | Reinforced connection hose | 1 pc. |
| 2 | 9820660 | Return flow inhibitor | 1 pc. |
| 3 | 9820659 | O-ring plug | 1 pc. |
| 4 | 9820657 | Decalcification rotary plug | 1 pc. |
| 5 | 9820677 | Shower arm cap Decalcification/installation | 1 pc. |
| 6 | 9820591 | Descaling tablets (4 pieces) | 1 set |



TECE shower arm complete set

Shower arm including removal tool, shower arm head ("standard" 75°) and rosette.

| Colour | Item No. | DU 1 |
|--------|----------|-------|
| White | 9820363 | 1 pc. |



Toilets – TECEno

TECEneo set, without shower function

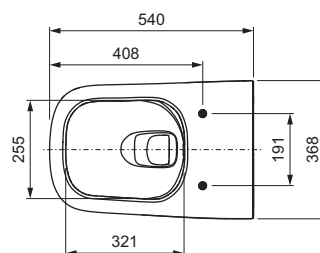
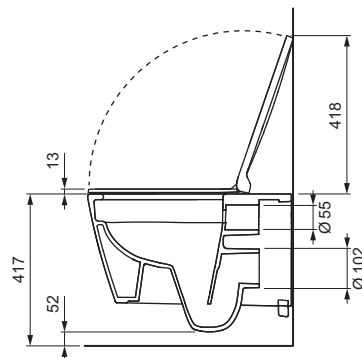
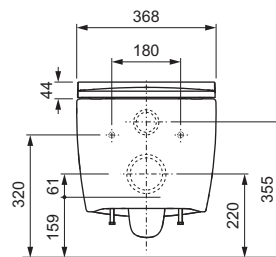
NEW

Set consisting of:

- TECEno toilet ceramics without shower function (9700209)
- TECE toilet seat with SLIM lid (9700603)
- Connection material including sound insulation tape, concealed attachment etc.



| Item No. | | DU 1 | DU 2 | DU 3 |
|----------|-----|-------|-------|-------|
| 9700215* | NEW | 1 pc. | 4 pc. | 8 pc. |



TECEneo toilet ceramic without shower function

Water-saving and rimless toilet ceramic for in-wall cisterns. Customised combination options with seat and lid.

Toilet ceramic features:

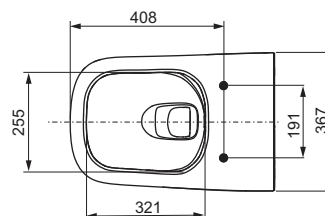
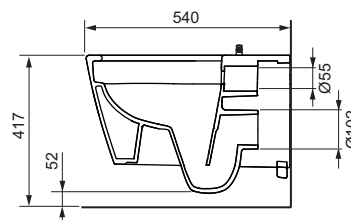
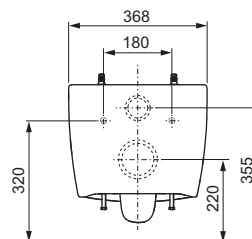
- Wall-hung toilet, flush-down type, for 6 and 4.5 litre flush volumes
- cyclon flush technology (thorough and quiet flushing)
- cera clean technology (surface for easy cleaning)
- Compact design - projection 540 mm
- Concealed wall attachment
- Rimless ceramic with integrated splash guard
- pre fix technology: factory-moulded toilet seat attachment for a wobble-free seat and lid (compatible with all TECE shower toilet seats)
- Material: sanitary ceramics, colour white
- Hygiene-optimised ceramic design
- Approval according to EN 997
- Dimensions (W x H x D): 368 x 365 x 540 mm

Scope of supply:

- Toilet ceramic including concealed toilet mounting
- Sound insulation

Please order separately:

- TECE toilet seat with CLASSIC lid (Item No. 9700600)
- TECE toilet seat with SLIM lid (Item No. 9700603)



| Item No. | DU 1 | DU 2 |
|----------|-------|-------|
| 9700209 | 1 pc. | 6 pc. |

Toilets – Accessories

TECE toilet seat with SLIM lid

Toilet seat with lid in a particularly slim design, suitable for TECE (shower) toilets with pre fix technology.

Toilet seat features:

- Particularly slim design, lid encloses seat
- pre fix technology for a wobble-free seat and lid
- Quick installation thanks to pre fix technology: attach and tighten screw if required.
- Hinges made of glass fibre-reinforced high-performance plastic with "soft-close" lowering system
- Easy to remove: Slotted head screw can be loosened without tools
- Easy to clean, complete seat and lid unit can be removed
- Toilet seat with ergonomic design for comfortable seating posture
- Prevents 'splashing', e.g. with small children, thanks to the extension of the seat at the front inside.
- Made of torsion-resistant Duroplast, colour white
- Approval according to DIN 19516



| Item No. | DU 1 | DU 2 |
|----------|-------|-------|
| 9700603 | 1 pc. | 5 pc. |

TECE toilet seat with CLASSIC lid

Toilet seat with lid, suitable for TECE (shower) toilets with pre fix technology.

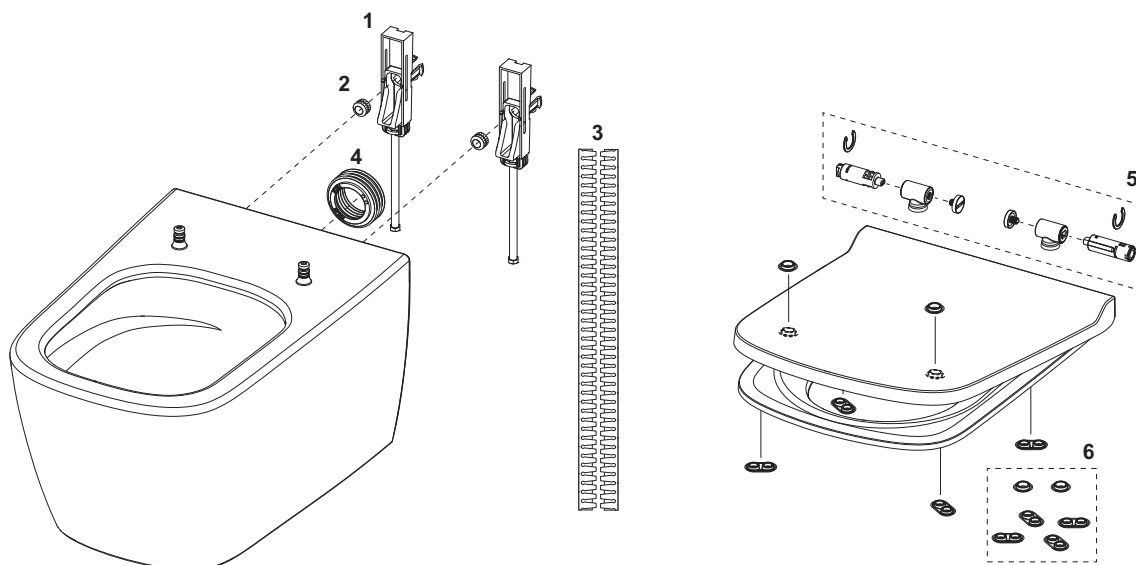
Toilet seat features:

- Lid encloses seat
- pre fix technology for a wobble-free seat and lid
- Quick installation thanks to pre fix technology: attach and tighten screw if required.
- Hinges made of glass fibre-reinforced high-performance plastic with "soft-close" lowering system
- Easy to remove
- Easy to clean, complete seat and lid unit can be removed
- Toilet seat with ergonomic design for comfortable seating posture
- Prevents 'splashing', e.g. with small children, thanks to the extension of the seat at the inside front.
- Made of torsion-resistant Duroplast, colour white
- Approval according to DIN 19516



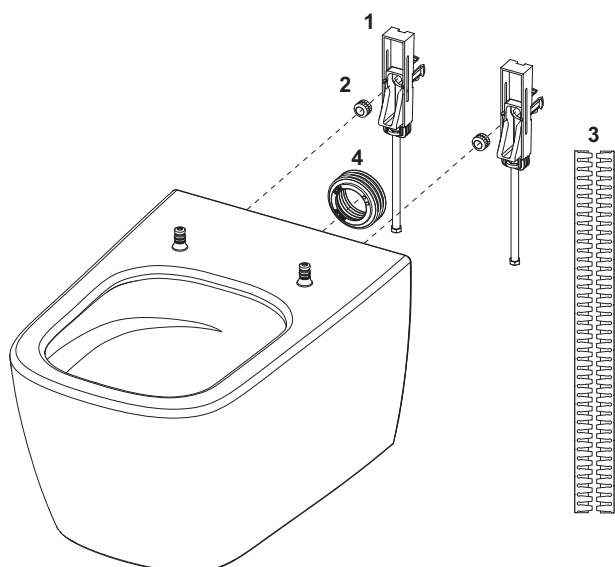
| Item No. | DU 1 | DU 2 |
|----------|-------|-------|
| 9700600 | 1 pc. | 5 pc. |

9700215 – TECNeo set, without shower function



| Pos. | Item No. | Designation | DU 1 |
|------|----------|--|-------|
| 1 | 9820356 | Concealed mounting | 1 pc. |
| 2 | 9820357 | Knurled nut (2 x) for concealed mounting | 1 pc. |
| 3 | 9820351 | Sound insulation tape | 1 pc. |
| 4 | 9820484 | Seal for flush pipe connection | 1 pc. |
| 5 | 9820672 | Fitting and damper for SLIM seat/lid | 1 pc. |
| 6 | 9820673 | Buffer set for SLIM seat/lid | 1 pc. |

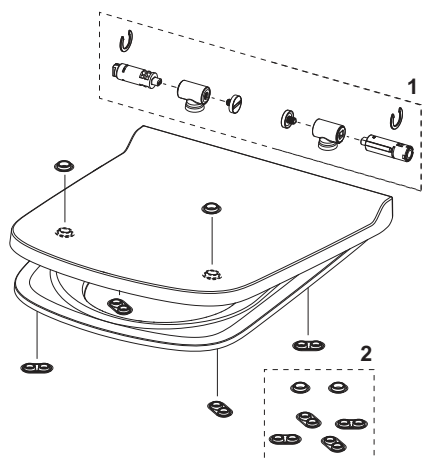
9700209 – TECNeo toilet ceramic without shower function



| Pos. | Item No. | Designation | DU 1 |
|------|----------|--|-------|
| 1 | 9820356 | Concealed mounting | 1 pc. |
| 2 | 9820357 | Knurled nut (2 x) for concealed mounting | 1 pc. |
| 3 | 9820351 | Sound insulation tape | 1 pc. |
| 4 | 9820484 | Seal for flush pipe connection | 1 pc. |

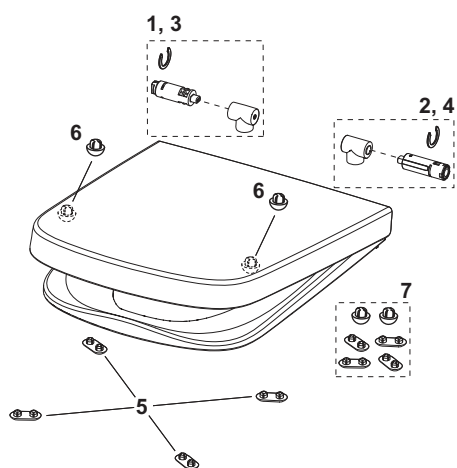
Toilets – Spare parts

9700603 – TECE toilet seat with SLIM lid



| Pos. | Item No. | Designation | DU 1 |
|------|----------|--------------------------------------|-------|
| 1 | 9820672 | Fitting and damper for SLIM seat/lid | 1 pc. |
| 2 | 9820673 | Buffer set for SLIM seat/lid | 1 pc. |

9700600 – TECE toilet seat with CLASSIC lid



| Pos. | Item No. | Designation | DU 1 |
|------|----------|--|-------|
| 1 | 9820581 | Fitting left and damper for cover (from 2021) | 1 pc. |
| 2 | 9820582 | Fitting right and damper for seat (from 2021) | 1 pc. |
| 3 | 9820695 | Fitting left and damper for cover (from 03/2023) | 1 pc. |
| 4 | 9820696 | Fitting right and damper for seat (from 03/2023) | 1 pc. |
| 5 | 9820423 | Toilet seat bearing pad (4 pieces) | 1 pc. |
| 6 | 9820465 | Lid bearing pad (2 pieces) | 1 pc. |
| 7 | 9820583 | Support buffer complete (from 2021) | 1 pc. |

Sanitary Systems

TECElux TOILET TERMINAL

TECElux





| | Page |
|------------------------|------|
| Product range overview | 40 |
| Toilet modules | 42 |
| Glass facings | 45 |
| Accessories | 48 |
| Spare parts | 50 |

An overview of valid Declaration of Performance (DoP) is available on our website www.tece.com.

TECElux – Product range overview

How to order correctly:

A TECElux terminal always consists of:

- (A) a TECElux module,
- (B) an upper glass facing and
- (C) a lower glass facing with notches for different power and water connections.

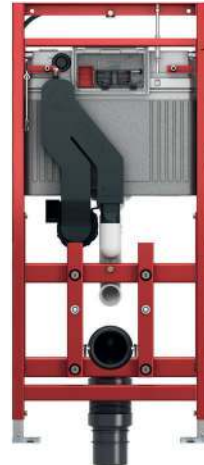
A TECElux module



TECElux 100
Item No. 9600100



TECElux 200
Item No. 9600200

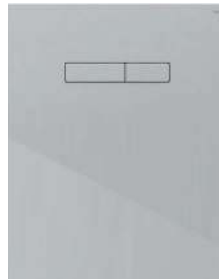


TECElux 400
Item No. 9600400

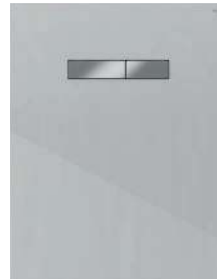
B Upper glass facing



"sen-Touch" (w)
Item No. 9650002
"sen-Touch" (b)
Item No. 9650003

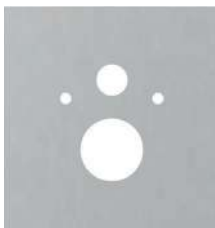


Polished white buttons (w)
Item No. 9650000
Polished black buttons (b)
Item No. 9650005

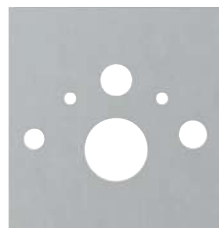


Bright chrome buttons (w)
Item No. 9650001
Bright chrome buttons (b)
Item No. 9650004

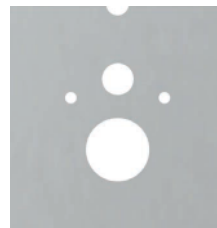
C Lower glass facing



Standard toilet (w)
Item No. 9650100
Standard toilet (b)
Item No. 9650105
TECEone, TECEneo (w)
Item No. 9650109
TECEone, TECEneo (b)
Item No. 9650110



Shower toilet (w)
Item No. 9650101
Item No. 9650103
Item No. 9650104
Shower toilet (b)
Item No. 9650106
Item No. 9650107
Item No. 9650108










Shower toilet seat (w)
Item No. 9650102



TECElux toilet terminal (w/b)

(w) = polished white glass, (b) = polished black glass

C Overview of lower facing and accessories for toilets, shower toilets seats and shower toilets

| |  |  |  |  |  |  |  |
|---|---|---|---|--|---|---|---|
| | 9650100 (w) 9650105 (b) | 9660001 | 9650101 (w) 9650106 (b) | 9650102 (w) | 9650103 (w) 9650107 (b) | 9650104 (w) 9650108 (b) | 9650109 (w) 9650110 (b) |
| Standard ceramics (connection dimension 180 mm) | X | | | | | | |
| TOTO Neorest AC 2.0 * TOTO Neorest EW 2.0 * | | X | X | | | | |
| TOTO Washlet CF TOTO Washlet EK 2.0 (with side connections: TCF6632G#NW1) TOTO Washlet GL 2.0 (with side connections: TCF6532G#NW1) TOTO Washlet Giovannoni | | X | | X | | | |
| TOTO Washlet SG 2.0 TOTO Washlet EK 2.0 (with hidden connections: TCF6632C3GV1) TOTO Washlet GL 2.0 (with hidden connections: TCF6532C3GV1) TOTO Washlet RX ** | | X | | | | X | |
| Duravit D-Code | | X | | X | | | |
| Duravit SensoWash Starck Duravit SensoWash Slim | | | | | X | | |
| Villeroy & Boch ViClean U | | X | | X | | | |
| Villeroy & Boch ViClean U+ | | X | | | | X | |
| Villeroy & Boch ViClean L | | | | | X | | |
| Geberit AquaClean 8000 Geberit AquaClean 8000 plus | | | X | | | | |
| Geberit AquaClean 5000 Geberit AquaClean 5000 plus | | | | X | | | |
| Geberit AquaClean Sela | | | | | X | | |
| Geberit AquaClean Mera Geberit AquaClean Tuma | | | | | | X | |
| Vitra V-Care | | | | | | X | |
| Grohe Sensia Grohe Sensia Arena | | | | | | X | |
| TECEone, TECEno | | | | | | | X |

* TECElux 400 not required, because odour extraction is already included with TOTO Neorest. If "sen-Touch" upper facing is used, remote actuation of TOTO Neorest does not function. If manual actuation is used, order control cable (Item No. 9820259).

** Not compatible with upper glass facing "sen-Touch"

(w) = polished white glass, (b) = polished black glass

TECElux – Toilet modules

TECElux toilet module 100, installation height 1120 mm

Dry-wall construction element for fitting to TECEprofil section tubes or for installation in metal or wooden stud walls and as a pre-wall or corner module.

For TECElux glass facing with actuation unit.

TECE flush-mounted cistern:

- Safety tank made of impact-resistant plastic, tested according to EN 14055
- Cistern fully pre-assembled and sealed
- Corner valve and cistern connection pre-assembled
- Cistern connection with external thread R 1/2" on the side, compatible with quick adapters
- 10-litre tank volume; 6-litre pre-set standard flush volume, 9, 7.5, 4.5 litre flush volume can be optimally set at any time; 3-litre partial-flush volume for dual-flush system. Residual volume usable for immediate flush cleaning.
- Insulated against condensation water
- Low-noise hydraulic filling valve, acoustic group 1 according to DIN 4109
- Including insert chute for cleaning tablets. Enables the insertion of cleaning tablets into the cistern, for fresh toilet flushing.
- Flow control throttle without removing the drain valve

Module frame:

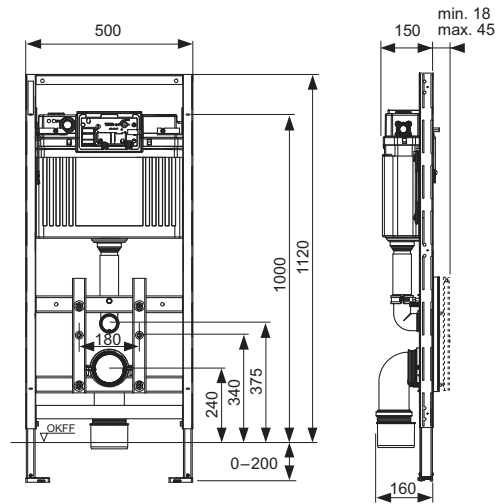
- Self-supporting, powder-coated
- Depth-adjustable retainer for upper glass facing with actuation unit and lower glass facing with toilet unit
- Two adjustable foot supports for floor projections of 0-200 mm
- Two M 12 retaining bolts and nuts
- Retainer for toilet ceramics with spacing of 180 mm
- Toilet drain bend DN 90 with transition piece DN 90/100, material PP
- Transition piece also suitable for horizontal installation
- DN 90 toilet connection set, including protective plug
- Large bare-wall protection
- Suitable for wall structures up to 45 mm

Please order separately:

- Upper glass facing with actuation unit
- Lower glass facing with toilet attachment
- Fitting for individual pre-wall, corner or wooden stud structures

Optional accessories:

TECElux "ceramic-Air" odour extraction upgrade set (9660000), only in conjunction with the sen-Touch upper glass facing with actuation unit.



| Item No. | DU 1 | DU 2 | DU 3 |
|----------|-------|-------|--------|
| 9600100 | 1 pc. | 6 pc. | 12 pc. |

TECElux toilet module 200, with subsequent height adjustment, installation height 1120 mm

Dry-wall construction element for fitting to TECEprofil section tubes or for installation in metal or wooden stud walls and as a pre-wall or corner module.

For TECElux glass facing with actuation unit and glass facing, subsequent 8 cm manual height adjustment option.

TECE flush-mounted cistern:

- Safety tank made of impact-resistant plastic, tested according to EN 14055
- Cistern fully pre-assembled and sealed
- Corner valve and cistern connection pre-assembled
- Cistern connection with 1/2" external thread
- 10-litre tank volume; 6-litre pre-set standard flush volume, 9, 7.5, 4.5 litre flush volume can be optimally set at any time; 3-litre partial-flush volume for dual-flush system. Residual volume usable for immediate flush cleaning.
- Insulated against condensation water
- Low-noise hydraulic filling valve, acoustic group 1 according to DIN 4109
- Including insert chute for cleaning tablets. Enables the insertion of cleaning tablets into the cistern, for fresh toilet flushing.
- Flow control throttle without removing the drain valve

Module frame:

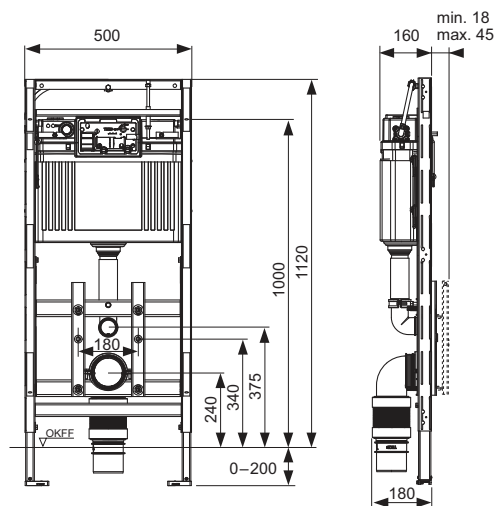
- Self-supporting, powder-coated
- Depth-adjustable retainer for upper glass facing with actuation unit and lower glass attachment facing with toilet unit, height can also be subsequently manually adjusted
- Two adjustable foot supports for floor projections of 0-200 mm
- Two M 12 retaining bolts and nuts
- Retainer for toilet ceramics with spacing of 180 mm
- Flexible toilet drain bend DN 90, connection piece material PE-HD (weldable), including transition piece DN 90/100 made of PP
- DN 90 toilet connection set, including protective plug
- Large bare-wall protection
- Suitable for wall structures up to 45 mm

Please order separately:

- Upper glass facing with actuation unit
- Lower glass facing with toilet attachment
- Fitting for individual pre-wall, corner or wooden stud structures

Optional accessories:

TECElux "ceramic-Air" odour extraction upgrade set (9660000), only in conjunction with the sen-Touch upper glass facing with actuation unit.



| Item No. | DU 1 | DU 2 | DU 3 |
|----------|-------|-------|--------|
| 9600200 | 1 pc. | 6 pc. | 12 pc. |

TECElux – Toilet modules

TECElux toilet module 400, subsequent height adjustment, with odour extraction, installation height 1120 mm

Dry-wall construction element for fitting to TECEprofil section tubes or for installation in metal or wooden stud walls and as a pre-wall or corner module.

For TECElux glass facing with actuation unit sen-Touch and glass facing, subsequent 8 cm manual height adjustment option, incl. "ceramic-Air" odour extraction.

TECE flush-mounted cistern:

- Safety tank made of impact-resistant plastic, tested according to EN 14055
- Cistern fully pre-assembled and sealed
- Corner valve and cistern connection pre-assembled
- Cistern connection with 1/2" external thread
- 10-litre tank volume; 6-litre pre-set standard flush volume, 9, 7.5, 4.5 litre flush volume can be optimally set at any time; 3-litre partial-flush volume for dual-flush system. Residual volume usable for immediate flush cleaning.
- Insulated against condensation water
- Low-noise hydraulic filling valve, acoustic group 1 according to DIN 4109
- Including insert chute for cleaning tablets. Enables the insertion of cleaning tablets into the cistern, for fresh toilet flushing.
- Flow control throttle without removing the drain valve

Module frame:

- Self-supporting, powder-coated
- Depth-adjustable retainer for upper glass facing with actuation unit and lower glass attachment facing with toilet unit, height can also be subsequently manually adjusted
- Two adjustable foot supports for floor projections of 0-200 mm
- Two M 12 retaining bolts and nuts
- Retainer for toilet ceramics with spacing of 180 mm
- Flexible toilet drain bend DN 90, connection piece material PE-HD (weldable), including transition piece DN 90/100 made of PP
- DN 90 toilet connection set, including protective plug
- Large bare-wall protection
- Suitable for wall structures up to 45 mm

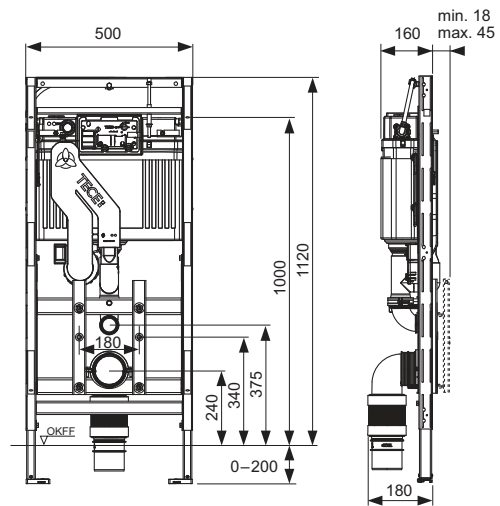
Low-noise "ceramic-Air" odour extraction with long-term filter cartridge.

Please order separately:

- sen-Touch upper glass facing with actuation unit
- lower glass facing
- Fitting for individual pre-wall, corner or wooden stud structures

Note:

It is possible to install the "ceramic-Air" odour extraction system in all well-known toilet ceramics. However, in some ceramics which have a higher seat position or higher flushing rim, the flushing water remains standing in the flush pipe, resulting in the bowl becoming partially or completely full. The current "Technical information" offers an overview of the affected ceramics in which it is not possible to fit the odour extraction option.



| Item No. | DU 1 | DU 2 | DU 3 |
|----------|-------|-------|--------|
| 9600400 | 1 pc. | 6 pc. | 12 pc. |

TECElux glass facing with manual actuation unit

Upper glass facing with actuation unit for TECElux module with two-spring mounted flush buttons. Incl. actuation rods and mounting material.

Installation only in conjunction with lower glass facing.

Dimensions (H x W x D): 555 x 430 x 16 mm



| Colour | Exhibition samples | Item No. | DU 1 | DU 2 |
|--|--------------------|----------|-------|--------|
| Polished white glass, polished white buttons | Yes | 9650000 | 1 pc. | 20 pc. |
| Polished white glass, bright chrome buttons | Yes | 9650001 | 1 pc. | 20 pc. |
| Polished black glass, polished black buttons | — | 9650005 | 1 pc. | 20 pc. |
| Polished black glass, bright chrome buttons | Yes | 9650004 | 1 pc. | 20 pc. |

Information on exhibits is available in the section "Exhibition samples".

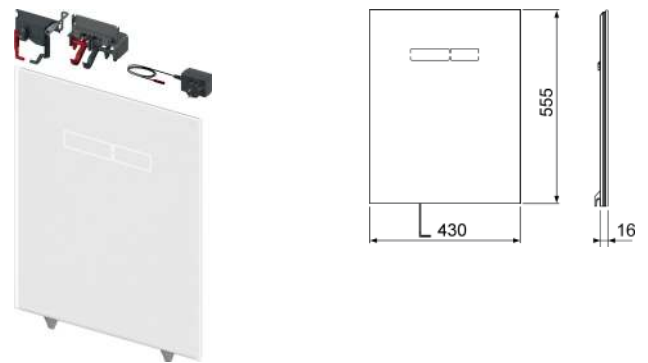
TECElux glass facing with electronic sen-Touch actuation

Upper glass facing with actuation unit for TECElux module with electronic sen-Touch actuation in combination with mounting material.

Incl. plug-in power pack (connection voltage 230 V) with dual-flush actuation motor.

Installation only in conjunction with the lower glass facing with toilet attachment.

Dimensions (H x W x D): 555 x 430 x 16 mm



Function of the sen-Touch electronics:

The sensor detects when a person is approaching the toilet, and only illuminates the flush buttons then. The flush is actuated by a slight touch or without contact. It is possible to programme the sen-Touch electronics to suit your personal preferences.

Programmable functions:

- Sensor recognition range
- Illumination brightness
- Hygiene flush
- Subsequent odour extraction
- Intensity of odour extraction
- Cleaning function

Note:

Not compatible with the TOTO Washlet RX and SX.

| Colour | Exhibition samples | Item No. | DU 1 | DU 2 |
|----------------------|--------------------|----------|-------|--------|
| Polished white glass | Yes | 9650002 | 1 pc. | 10 pc. |
| Polished black glass | Yes | 9650003 | 1 pc. | 10 pc. |

Information on exhibits is available in the section "Exhibition samples".

TECElux – Glass facings

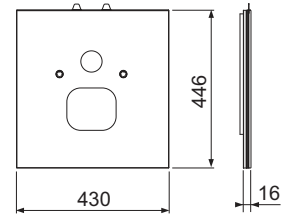
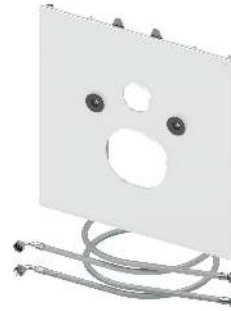
TECElux glass facing for TECE shower toilets

Lower glass plate for combination with with a TECE shower toilet, including sound insulation kit and reinforced hoses for hot an cold water connection to conventional angle valves.

Dimensions (H x W x D): 446 x 430 x 16 mm

Note:

For combination with corner valves prepared on site.

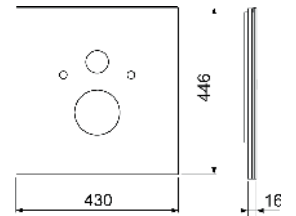


| Colour | Exhibition samples | Item No. | DU 1 | DU 2 |
|----------------------|--------------------|----------|-------|--------|
| Polished white glass | — | 9650109 | 1 pc. | 20 pc. |
| Polished black glass | — | 9650110 | 1 pc. | 20 pc. |

TECElux glass facing for standard toilet

Lower glass facing for combination with toilet ceramics 180 mm spacing, incl. sound insulation set.

Dimensions (H x W x D): 446 x 430 x 16 mm



| Colour | Exhibition samples | Item No. | DU 1 | DU 2 |
|----------------------|--------------------|----------|-------|--------|
| Polished white glass | Yes | 9650100 | 1 pc. | 20 pc. |
| Polished black glass | Yes | 9650105 | 1 pc. | 20 pc. |

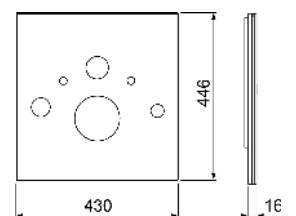
Information on exhibits is available in the section "Exhibition samples".

TECElux glass facing for shower toilet (Toto, Geberit)

Lower glass facing for combination with shower toilet TOTO Neorest AC and EW or Geberit AquaClean 8000/8000plus, including sound insulation set, reinforced exchange hose for the cistern and plastic 3/8" adapter for filling valve F 10.

For assembly of a TOTO shower toilet, please use the shower toilet connection set (9660001).

Dimensions (H x W x D): 446 x 430 x 16 mm

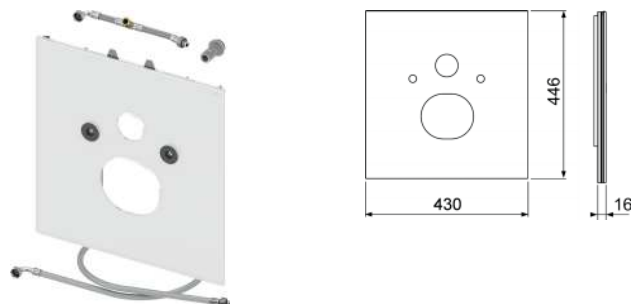


| Colour | Exhibition samples | Item No. | DU 1 | DU 2 |
|----------------------|--------------------|----------|-------|--------|
| Polished white glass | — | 9650101 | 1 pc. | 20 pc. |
| Polished black glass | — | 9650106 | 1 pc. | 20 pc. |

TECElux glass facing for shower toilet (Duravit etc.)

Lower glass facing for combination with shower toilet Duravit SensoWash C as well as Slim or V & B ViClean L, Geberit AquaClean Sela, including sound insulation set, long reinforced exchange hose for cistern and 3/8" plastic adapter for filling valve F 10.

Dimensions (W x H x D): 446 x 430 x 16 mm

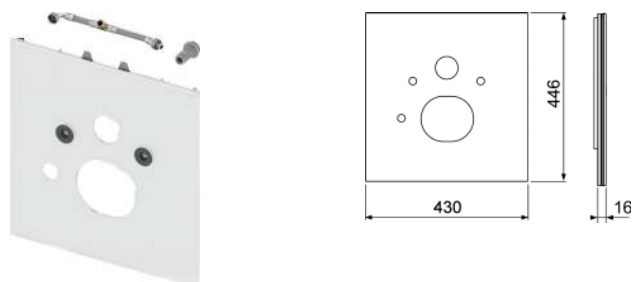


| Colour | Exhibition samples | Item No. | DU 1 | DU 2 |
|----------------------|--------------------|----------|-------|--------|
| Polished white glass | — | 9650103 | 1 pc. | 20 pc. |
| Polished black glass | — | 9650107 | 1 pc. | 20 pc. |

TECElux glass facing for shower toilet (AquaClean Mera etc.)

Lower glass facing for combination with Geberit AquaClean shower toilet Mera and Tuma, Toto Washlet SG, Toto Washlet EK or GL with concealed connections, Grohe Sensia, V & B ViClean U+ or Laufen Riva incl. sound insulation kit and replacement reinforced hose for cistern and 3/8" plastic adapter for filling valve F 10.

Dimensions (H x W x D): 446 x 430 x 16 mm



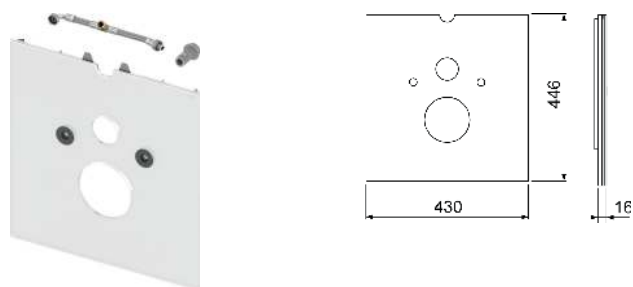
| Colour | Exhibition samples | Item No. | DU 1 | DU 2 |
|----------------------|--------------------|----------|-------|--------|
| Polished white glass | — | 9650104 | 1 pc. | 20 pc. |
| Polished black glass | — | 9650108 | 1 pc. | 20 pc. |

TECElux glass facing for shower toilet seat

Lower toilet glass facing for combination with shower toilet attachment TOTO Washlet GL and EK, Giovannoni Washlet, V & B ViClean U or Geberit AquaClean 5000 and 5000plus including noise insulation set, reinforced exchange hose for the cistern and 3/8" plastic adapter for filling valve F 10.

For assembly of a TOTO or V & B shower toilet seat, please use the shower toilet connection set (9660001).

Dimensions (H x W x D): 446 x 430 x 16 mm



| Colour | Exhibition samples | Item No. | DU 1 | DU 2 |
|----------------------|--------------------|----------|-------|--------|
| Polished white glass | Yes | 9650102 | 1 pc. | 20 pc. |

Information on exhibits is available in the section "Exhibition samples".

TECElux "ceramic-Air" odour extraction upgrade set

Upgrade set for subsequent installation of "ceramic-Air" odour extraction for TECElux 100 or TECElux 200 toilet terminals.

Upgrade set consisting of:

- Odour extraction housing incl. fan and air outlet
- Filter cartridge
- Mounting material
- Flush pipe with connection for odour extraction
- Drain valve

Note:

It is possible to install "ceramic-Air" odour extraction in all well-known toilet ceramics. However, flushing water can remain in the flush pipe in some ceramics with a higher sitting position or rather a higher rim, and it is possible for the ceramic to fill partially or fully. The current "Technical information" offers an overview of the affected ceramics in which it is not possible to fit the odour extraction option.



| Item No. | DU 1 |
|----------|-------|
| 9660000 | 1 pc. |

TECElux connection set for shower toilet

Longer reinforced hose with connection for TOTO Neorest AC and EW, TOTO Washlet GL and EK, TOTO Washlet Giovannoni and V&B ViClean U.



| Item No. | DU 1 |
|----------|-------|
| 9660001 | 1 pc. |

TECElux connection set for electrical connection

To install a permanent electrical connection for the sen-Touch glass facing in protection area II.

Connection set consisting of:

- Empty socket, protection class IP 44
- Transformer 230/12 V
- sen-Touch connection cable



| Item No. | DU 1 |
|----------|-------|
| 9660002 | 1 pc. |

TECE drain valve A 2

Drain valve for combination with Uni and Base cisterns, including valve seat, red and blue throttles and operating levers.



| Item No. | DU 1 |
|----------|-------|
| 9820223 | 1 pc. |

TECE filling valve F 10 universal

Universal filling valve for installation in all TECE cisterns as well as almost all standard flush-mounted and wall-mounted cisterns from other manufacturers.

Product details:

- 3/8" metal connection thread
- Flow pressure 0.5-10 bar
- Minimum flow pressure 0.5 bar
- Adjustable fill height
- Adjustable outflow pipe
- Low-noise in accordance with group I (DIN 4109)
- Compact design
- Incl. adapter and attachment nut
- Tested according to EN 14124



| Item No. | DU 1 | DU 2 | DU 3 |
|----------|-------|--------|---------|
| 9820353 | 1 pc. | 10 pc. | 240 pc. |

TECE throttle set for Uni and Base cisterns

Throttle set to adapt the Uni and Base cistern flushing pressure, installs in valve seat of drain valve, diameter 46-28 mm.

| Item No. | DU 1 | DU 2 |
|----------|-------|---------|
| 9820337* | 1 pc. | 100 pc. |

**TECE valve seat with adjustable flush flow throttle**

Valve seat with adjustable flush flow throttle for the drain valve A 2 in Uni and Base cisterns.

| Item No. | DU 1 |
|----------|-------|
| 9820670 | 1 pc. |

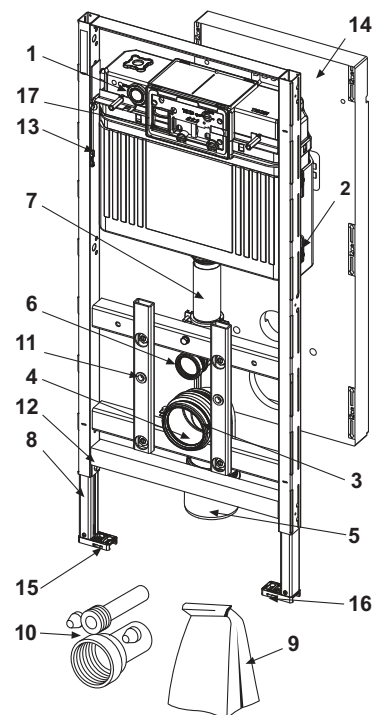


TECElux – Spare parts

TECElux

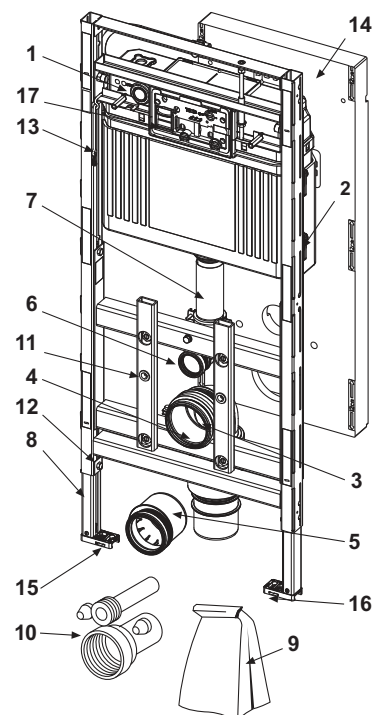
9600100 – TECElux toilet module 100, installation height 1120 mm

| Pos. | Item No. | Designation | DU 1 |
|------|----------|--|-------|
| 1 | 9820575 | Uni cistern for TECElux modules | 1 pc. |
| 2 | 9820040 | Assembly kit for Uni cistern | 1 pc. |
| 3 | 9820134 | Toilet drain bend DN 90 (PP) | 1 pc. |
| 4 | 9820139 | Seal for drain bend DN 90 | 1 pc. |
| 5 | 9820136 | Toilet connector, DN 90/100, PP | 1 pc. |
| 6 | 9820015 | Flush pipe seal | 1 pc. |
| 7 | 9820011 | Flush pipe with O-ring, length 269 mm, dry-wall construction | 1 pc. |
| 8 | 9820335 | C-section for module foot | 1 pc. |
| 9 | 9820043 | By-pack for toilet module | 1 pc. |
| 10 | 9820057 | Toilet connection set, DN 90 | 1 pc. |
| 11 | 9820071 | Clinch nut | 1 pc. |
| 12 | 9820447 | Foot brake with steel spring | 1 pc. |
| 13 | 9820329 | Securing cable | 1 pc. |
| 14 | 9820330 | Bare-wall protection | 1 pc. |
| 15 | 9820332 | Module foot with toggle left | 1 pc. |
| 16 | 9820333 | Module foot with toggle right | 1 pc. |
| 17 | 9240951 | Insert chute II for cleaning tablets | 1 pc. |



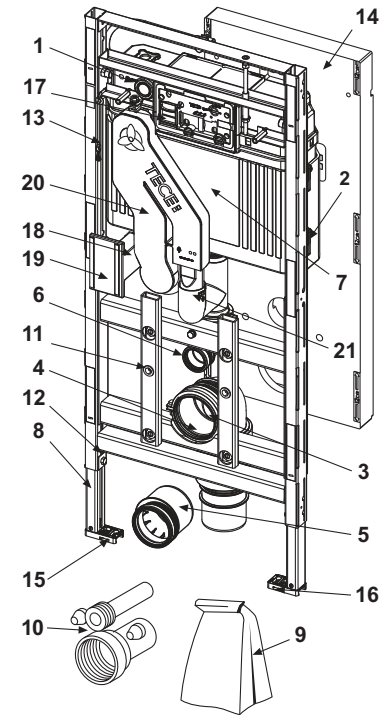
9600200 – TECElux toilet module 200, with subsequent height adjustment, installation height 1120 mm

| Pos. | Item No. | Designation | DU 1 |
|------|----------|---|-------|
| 1 | 9820575 | Uni cistern for TECElux modules | 1 pc. |
| 2 | 9820040 | Assembly kit for Uni cistern | 1 pc. |
| 3 | 9820317 | Toilet connection elbow DN 90, flexible, connection piece made of PE-HD | 1 pc. |
| 4 | 9820139 | Seal for drain bend DN 90 | 1 pc. |
| 5 | 9820136 | Toilet connector, DN 90/100, PP | 1 pc. |
| 6 | 9820015 | Flush pipe seal | 1 pc. |
| 7 | 9820011 | Flush pipe with O-ring, length 269 mm, dry-wall construction | 1 pc. |
| 8 | 9820335 | C-section for module foot | 1 pc. |
| 9 | 9820043 | By-pack for toilet module | 1 pc. |
| 10 | 9820057 | Toilet connection set, DN 90 | 1 pc. |
| 11 | 9820071 | Clinch nut | 1 pc. |
| 12 | 9820447 | Foot brake with steel spring | 1 pc. |
| 13 | 9820329 | Securing cable | 1 pc. |
| 14 | 9820330 | Bare-wall protection | 1 pc. |
| 15 | 9820332 | Module foot with toggle left | 1 pc. |
| 16 | 9820333 | Module foot with toggle right | 1 pc. |
| 17 | 9240951 | Insert chute II for cleaning tablets | 1 pc. |



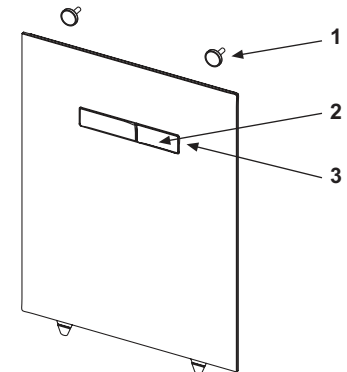
9600400 – TECElux toilet module 400, subsequent height adjustment, with odour extraction, installation height 1120 mm

| Pos. | Item No. | Designation | DU 1 |
|------|----------|---|-------|
| 1 | 9820575 | Uni cistern for TECElux modules | 1 pc. |
| 2 | 9820040 | Assembly kit for Uni cistern | 1 pc. |
| 3 | 9820317 | Toilet connection elbow DN 90, flexible, connection piece made of PE-HD | 1 pc. |
| 4 | 9820139 | Seal for drain bend DN 90 | 1 pc. |
| 5 | 9820136 | Toilet connector, DN 90/100, PP | 1 pc. |
| 6 | 9820015 | Flush pipe seal | 1 pc. |
| 7 | 9820302 | TECElux drain valve | 1 pc. |
| 8 | 9820335 | C-section for module foot | 1 pc. |
| 9 | 9820043 | By-pack for toilet module | 1 pc. |
| 10 | 9820057 | Toilet connection set, DN 90 | 1 pc. |
| 11 | 9820071 | Clinch nut | 1 pc. |
| 12 | 9820447 | Foot brake with steel spring | 1 pc. |
| 13 | 9820329 | Securing cable | 1 pc. |
| 14 | 9820330 | Bare-wall protection | 1 pc. |
| 15 | 9820332 | Module foot with toggle left | 1 pc. |
| 16 | 9820333 | Module foot with toggle right | 1 pc. |
| 17 | 9240951 | Insert chute II for cleaning tablets | 1 pc. |
| 18 | 9820301 | Filter cartridge | 1 pc. |
| 19 | 9820300 | Air outlet | 1 pc. |
| 20 | 9820311 | "ceramic-Air" odour extraction | 1 pc. |
| 21 | 9820350 | O-ring odour extraction | 1 pc. |



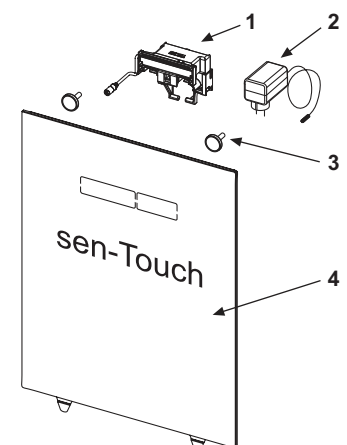
TECElux glass facing with manual actuation unit

| Pos. | Item No. | Designation | DU 1 |
|------|----------|---------------------------|-------|
| 1 | 9820287 | Adjusting magnets | 1 pc. |
| 2 | 9820288 | Button set polished white | 1 pc. |
| | 9820289 | Button set bright chrome | 1 pc. |
| 3 | 9820290 | Button set accessories | 1 pc. |



TECElux glass facing with electronic sen-Touch actuation

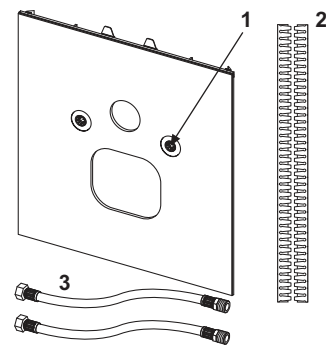
| Pos. | Item No. | Designation | DU 1 |
|------|----------|--------------------------------------|-------|
| 1 | 9820493 | Actuation motor for TECE cistern | 1 pc. |
| 2 | 9820286 | Power supply plug | 1 pc. |
| 3 | 9820287 | Adjusting magnets | 1 pc. |
| 4 | 9820285 | Glass plate sen-Touch polished white | 1 pc. |



TECElux – Spare parts

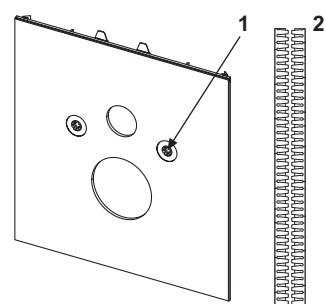
TECElux glass facing for TECE shower toilets

| Pos. | Item No. | Designation | DU 1 |
|------|----------|---|-------|
| 1 | 9820291 | Glass protection caps | 1 pc. |
| 2 | 9820351 | Sound insulation tape | 1 pc. |
| 3 | 9820425 | Reinforced hose for TECE shower toilets | 1 pc. |



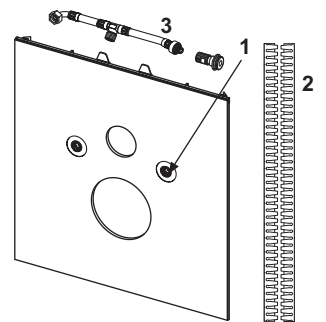
TECElux glass facing for standard toilet

| Pos. | Item No. | Designation | DU 1 |
|------|----------|-----------------------|-------|
| 1 | 9820291 | Glass protection caps | 1 pc. |
| 2 | 9820351 | Sound insulation tape | 1 pc. |



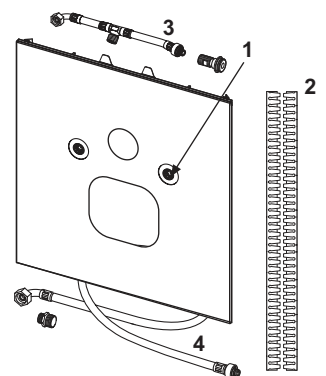
TECElux glass facing for shower toilet (Toto, Geberit) TECElux glass facing for shower toilet (AquaClean Mera etc.) TECElux glass facing for shower toilet seat

| Pos. | Item No. | Designation | DU 1 |
|------|----------|------------------------------------|-------|
| 1 | 9820291 | Glass protection caps | 1 pc. |
| 2 | 9820351 | Sound insulation tape | 1 pc. |
| 3 | 9880036 | Water connection for shower toilet | 1 pc. |



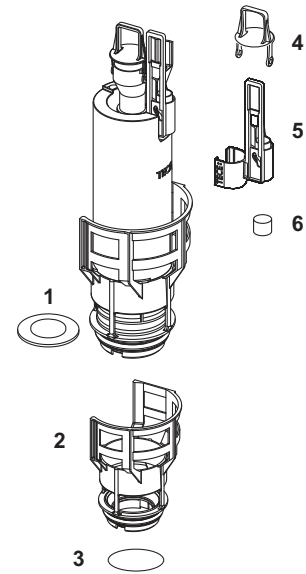
TECElux glass facing for shower toilet (Duravit etc.)

| Pos. | Item No. | Designation | DU 1 |
|------|----------|---|-------|
| 1 | 9820291 | Glass protection caps | 1 pc. |
| 2 | 9820351 | Sound insulation tape | 1 pc. |
| 3 | 9880036 | Water connection for shower toilet | 1 pc. |
| 4 | 9820425 | Reinforced hose for TECE shower toilets | 1 pc. |



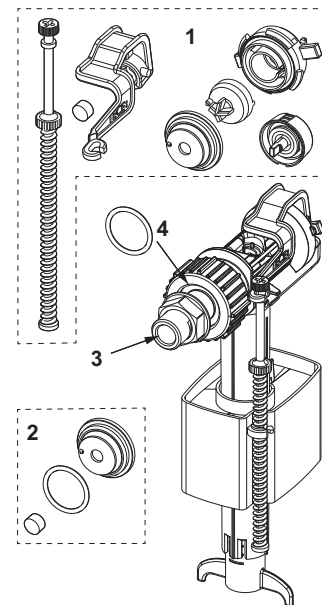
9820223 – TECE drain valve A 2

| Pos. | Item No. | Designation | DU 1 |
|------|----------|---|-------|
| 1 | 9820233 | Gasket (drain valve) | 1 pc. |
| 2 | 9820231 | Valve seat with standard throttle (ø 36 mm) | 1 pc. |
| 3 | 9820005 | O-ring (valve seat) | 1 pc. |
| 4 | 9820222 | Draw eyelet | 1 pc. |
| 5 | 9820229 | Pull rod for electrical actuation | 1 pc. |
| 6 | 9820420 | Additional weight small pull rod | 1 pc. |



9820353 – TECE filling valve F 10 universal

| Pos. | Item No. | Designation | DU 1 |
|------|----------|---|-------|
| 1 | 9820382 | Filling valve F 10 valve lever set | 1 pc. |
| 2 | 9820383 | Filling valve F 10 sealing kit | 1 pc. |
| 3 | 9820398 | Filling valve F 10 threaded connection 3/8" | 1 pc. |
| 4 | 9820587 | Filling valve F 10 water connection O-ring M 30 | 1 pc. |

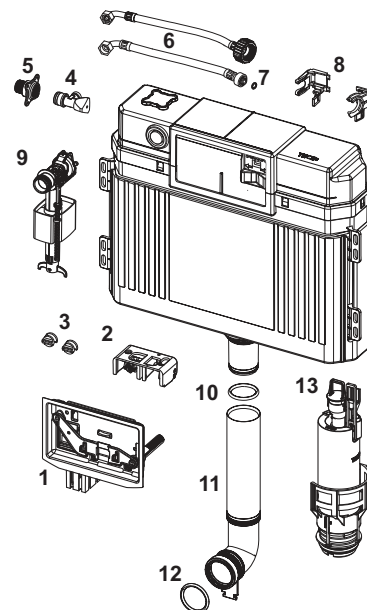


TECElux – Spare parts

TECElux

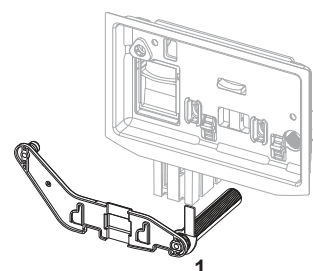
TECE Uni cistern for TECElux modules

| Pos. | Item No. | Designation | DU 1 |
|------|----------|--|-------|
| 1 | 9240951 | Insert chute II for cleaning tablets | 1 pc. |
| 2 | 9820016 | Actuation block | 1 pc. |
| 3 | 9820191 | Clamping screws set | 1 pc. |
| 4 | 9820013 | Corner valve | 1 pc. |
| 5 | 9820012 | Cistern connection | 1 pc. |
| 6 | 9820026 | Reinforced hose 3/8" (until 2019) | 1 pc. |
| | 9820374 | Reinforced hose M 30 (from 2020) | 1 pc. |
| 7 | 9820025 | O-ring | 1 pc. |
| 8 | 9820372 | Filling valve holder for Uni cistern (17 mm, 3/8", up to 2019) | 1 pc. |
| | 9820373 | Filling valve holder for Uni cistern (27 mm, M 30, from 2020) | 1 pc. |
| 9 | 9820353 | Filling valve F 10 universal | 1 pc. |
| 10 | 9820014 | O-ring | 1 pc. |
| 11 | 9820011 | Flush pipe with O-ring, length 269 mm, dry-wall construction | 1 pc. |
| 12 | 9820015 | Flush pipe seal | 1 pc. |
| 13 | 9820223 | Drain valve A 2 | 1 pc. |



9240951 – TECE insert chute II for cleaning tablets (TECElux Mini, TECESquare glass, TECEvelvet, TECEloop and TECEnow)

| Pos. | Item No. | Designation | DU 1 |
|------|----------|--------------------------------|-------|
| 1 | 9820688 | Guide rods for insert chute II | 1 pc. |



TECE water connection for shower toilet

Replacement reinforced hose with integrated T-piece for Uni cisterns, including 3/8" plastic adapter for filling valve F 10.



| Item No. | DU 1 |
|----------|-------|
| 9880036 | 1 pc. |

Sanitary Systems

FLUSH PLATES

Flush plates





| | Page |
|--------------------|------|
| Toilet flush plate | 59 |
| Urinal flush plate | 95 |

Sanitary Systems

TOILET FLUSH PLATES

Flush plates





| | Page |
|--|------|
| TECElux Mini | 62 |
| TECEsquare | 64 |
| TECEvelvet | 67 |
| TECEloop | 69 |
| TECEsolid | 73 |
| TECEsolid electronic flushing systems | 75 |
| TECEplanus electronic flushing systems | 78 |
| TECEnow | 81 |
| TECEbase | 83 |
| TECEflushpoint | 84 |
| Accessories | 86 |
| Spare parts | 88 |

Toilet flush plate – TECElux Mini

TECElux Mini flush plate with electronic touchless actuation

Electronic flush plate with touch-free actuation for TECE cisterns with front actuation and actuation height of approx. 1 m (centre flush plate). Flat glass actuation including mounting materials and actuation motor for dual-flush. Suitable for flush-mounted installation. Compatible with insert chute for cleaning tablets.

Dimensions (W x H x D): 220 x 150 x 8 mm

Function of the electronics:

The sensor detects when a person is approaching the toilet, and only illuminates the flush buttons then. The flush actuation is touch-free or by touching the button area. By programming with the TECElux Mini programming remote control (Item No. 9240971), the electronics can be adjusted to individual requirements.

Programmable functions (with programming remote control):

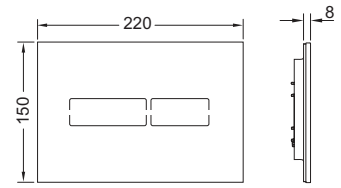
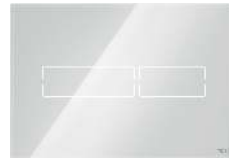
- Sensor recognition field
- Hygiene flush
- Actuation time
- Safety flush
- Display illumination brightness

Please order separately:

- TECE transformer for toilet electronics incl. connection cable (Item No. 9810012)
- Toilet installation frame for flush-mounted installation
- Programmable remote control (Item No. 9240971)

Note:

- TECElux Mini requires a power connection.
- Not compatible with toilet modules of installation heights 980, 820 and 750 mm.
- Not compatible with the TOTO Washlet RX and SX.



| Colour | Exhibition samples | Item No. | DU 1 |
|----------------------|--------------------|----------|-------|
| Polished white glass | Yes | 9240960 | 1 pc. |
| Polished black glass | Yes | 9240961 | 1 pc. |

Information on exhibits is available in the section "Exhibition samples".

TECE transformer for toilet electronics including connection cable

Transformer for the electrical connection of the TECElux Mini as well as the TECEsolid toilet electronics (approx. 1 m central flush plate). One flush plate can be connected per transformer. For mounting in a flush-mounted socket with a diameter of 60 mm and depth of 63 mm. Electrical connection voltage 230 V (100-240 V, 50-60 Hz), output 12 V DC. Cable length 5 m.



| Item No. | DU 1 |
|----------|-------|
| 9810012 | 1 pc. |

TECElux Mini anti-theft device

Concealed screw connection for anti-theft protection of TECElux Mini.



| Item No. | DU 1 |
|----------|-------|
| 9820354 | 1 pc. |

TECElux Mini programming remote control

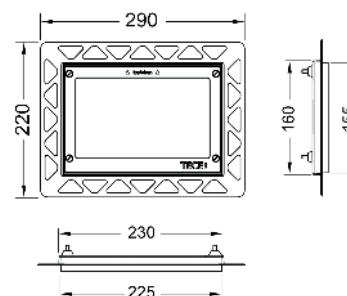
Remote control for programming the TECElux Mini electronics. Programmable functions: Recognition field, hygiene flush, actuation time, safety flush and display lighting brightness.



| Item No. | DU 1 | DU 2 |
|----------|-------|--------|
| 9240971 | 1 pc. | 30 pc. |

TECE toilet installation frame for flush-mounted installation

Installation kit for flush-mounted installation of toilet flush plates TECEloop glass, TECEloop plastic, TECEvelvet, TECEsquare glass, TECEsquare II glass, TECElux Mini as well as TECEnow. Depth-adjustable tile frame for wall coverings from 5-18 mm (from 18-33 mm with adjustment bolt - Item No. 9820181). Including disassembly tool for flush plate.



Installation frame required during shell assembly!

Caution:

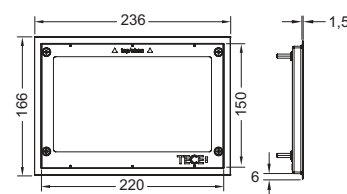
Suitable for dry-wall toilet modules; also for brick-wall constructions in combination with the TECEbox bare-wall protection system (Item No. 9030029). To obtain a clean edge, please use a water jet cutter to prepare the tile cut-out.

| Colour | Exhibition samples | Item No. | DU 1 | DU 2 |
|---------------|--------------------|----------|-------|--------|
| White | Yes | 9240646 | 1 pc. | 20 pc. |
| Black | Yes | 9240647 | 1 pc. | 20 pc. |
| Bright chrome | Yes | 9240649 | 1 pc. | 20 pc. |
| Gold plated | — | 9240648 | 1 pc. | 20 pc. |
| Bright metal | — | 9240644 | 1 pc. | 20 pc. |

Information on exhibits is available in the section "Exhibition samples".

TECE toilet cover frame for toilet installation frame

Metal Cover frame for combination with toilet installation frame. To cover uneven tile edges. Depth-adjustable Cover frame for wall coverings from 5-18 mm (from 18-33 mm with adjustment bolt - Item No. 9820181).

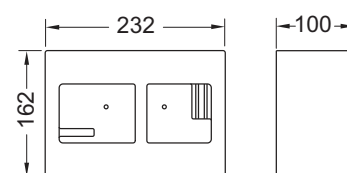


| Colour | Item No. | DU 1 | DU 2 | DU 3 |
|---------|----------|-------|--------|---------|
| Bright | 9240645 | 1 pc. | 10 pc. | 320 pc. |
| Brushed | 9240643 | 1 pc. | 10 pc. | 320 pc. |

TECEbox brick-wall protection system for flush-mounted installation

Larger bare-wall protection system for brick-wall construction to prepare the installation of the installation frame for toilet flush plates. Suitable for use with all TECEbox toilet modules.

Wall thickness at least 30 mm!



| Item No. | DU 1 |
|----------|-------|
| 9030029 | 1 pc. |

Toilet flush plate – TECESquare

TECESquare II metal toilet flush plate for dual-flush system, with coloured surface

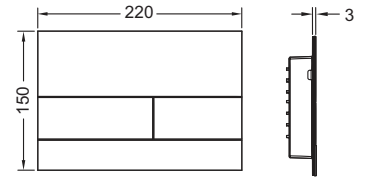
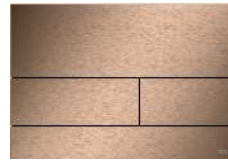
Flush plate for TECE cisterns, for front or top actuation. Extra-flat metal actuation with coloured coating and two spring-loaded actuation rockers. Incl. actuation rods, mounting material and disassembly tool. Compatible with insert chute for cleaning tablets.

The surfaces are colour-coordinated with the TECEdrainprofile shower profiles.

Dimensions (W x H x D): 220 x 150 x 3 mm

Note:

Ensure minimum wall finish of 30 mm in brick-wall construction!



| Colour | Exhibition samples | Item No. | DU 1 | DU 2 |
|--|--------------------|----------|-------|--------|
| Brushed black chrome (with anti-fingerprint) | Yes | 9240846 | 1 pc. | 10 pc. |
| Brushed gold optic (with anti-fingerprint) | — | 9240847 | 1 pc. | 10 pc. |
| Polished gold optic | Yes | 9240839 | 1 pc. | 10 pc. |
| Brushed red gold (with anti-fingerprint) | — | 9240848 | 1 pc. | 10 pc. |
| Brushed nickel (with anti-fingerprint) | — | 9240843 | 1 pc. | 10 pc. |
| Rusted steel | Yes | 9240845 | 1 pc. | 10 pc. |

Information on exhibits is available in the section "Exhibition samples".

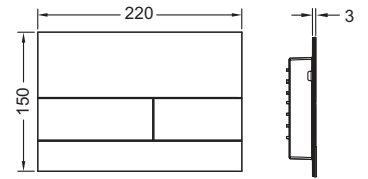
TECESquare II metal toilet flush plate for dual-flush system

Flush plate for TECE cisterns, for front or top actuation. Extra-flat metal flush plate with two spring-mounted actuation rocker buttons. Incl. actuation rods, mounting material and disassembly tool. Compatible with insert chute for cleaning tablets.

Dimensions (W x H x D): 220 x 150 x 3 mm

Note:

Ensure minimum wall finish of 30 mm in brick-wall construction!



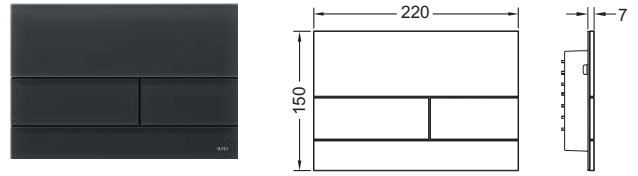
| Colour | Exhibition samples | Item No. | DU 1 | DU 2 |
|---|--------------------|----------|-------|--------|
| Brushed stainless steel (with anti-fingerprint) | Yes | 9240830 | 1 pc. | 10 pc. |
| Bright chrome | Yes | 9240831 | 1 pc. | 10 pc. |
| Polished white | Yes | 9240832 | 1 pc. | 10 pc. |
| Matt white | Yes | 9240834 | 1 pc. | 10 pc. |
| Matt black | Yes | 9240833 | 1 pc. | 10 pc. |

Information on exhibits is available in the section "Exhibition samples".

TECESquare II glass toilet flush plate for dual-flush system

Flush plate for TECE cisterns, for front or top actuation. Flat glass flush plate with two spring-mounted actuation rocker buttons. Incl. actuation rods, mounting material and disassembly tool. Suitable for flush-mounted installation in combination with toilet installation frame and spacing frame. Compatible with insert chute for cleaning tablets.

Dimensions (W x H x D): 220 x 150 x 7 mm



Toilet installation frame for flush-mounted installation not included in the scope of delivery, please order separately!

Note:

Ensure minimum wall finish of 30 mm in brick-wall construction!

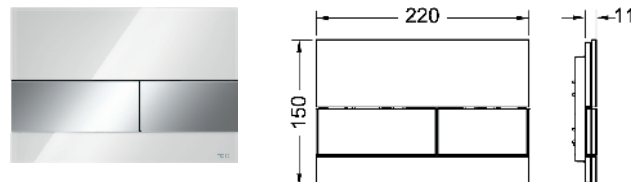
| Colour | Exhibition samples | Item No. | DU 1 | DU 2 |
|---------------------------|--------------------|----------|-------|--------|
| Satined white glass | Yes | 9240824 | 1 pc. | 10 pc. |
| Satined black glass | Yes | 9240825 | 1 pc. | 10 pc. |
| Satined signal grey glass | — | 9240826 | 1 pc. | 10 pc. |
| Satined sand beige glass | Yes | 9240827 | 1 pc. | 10 pc. |

Information on exhibits is available in the section "Exhibition samples".

TECESquare glass toilet flush plate for dual-flush system

Flush plate for TECE cisterns, for front or top actuation. Flat glass flush plate with two spring-mounted actuation rocker buttons. Suitable for flush-mounted installation in combination with toilet installation frame for flush-mounted install (e.g. Item No. 9240649). Compatible with insert chute for cleaning tablets.

Dimensions (W x H x D): 220 x 150 x 11 mm



Toilet installation frame for flush-mounted installation not included in the scope of delivery, please order separately!

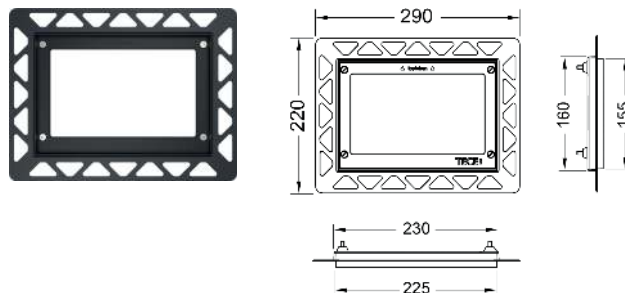
| Colour | Exhibition samples | Item No. | DU 1 | DU 2 |
|---|--------------------|----------|-------|--------|
| Polished white glass, polished white buttons | Yes | 9240800 | 1 pc. | 10 pc. |
| Polished white glass, brushed stainless steel buttons (with anti-fingerprint) | Yes | 9240801 | 1 pc. | 10 pc. |
| Polished white glass, bright chrome buttons | Yes | 9240802 | 1 pc. | 10 pc. |
| Polished black glass, polished black buttons | Yes | 9240809 | 1 pc. | 10 pc. |
| Polished black glass, brushed stainless steel buttons (with anti-fingerprint) | Yes | 9240806 | 1 pc. | 10 pc. |
| Polished black glass, bright chrome buttons | Yes | 9240807 | 1 pc. | 10 pc. |

Information on exhibits is available in the section "Exhibition samples".

Toilet flush plate – TECESquare

TECE toilet installation frame for flush-mounted installation

Installation kit for flush-mounted installation of toilet flush plates TECEloop glass, TECEloop plastic, TECEvelvet, TECESquare glass, TECESquare II glass, TECElux Mini as well as TECEnow. Depth-adjustable tile frame for wall coverings from 5-18 mm (from 18-33 mm with adjustment bolt - Item No. 9820181). Including disassembly tool for flush plate.



Installation frame required during shell assembly!

Caution:

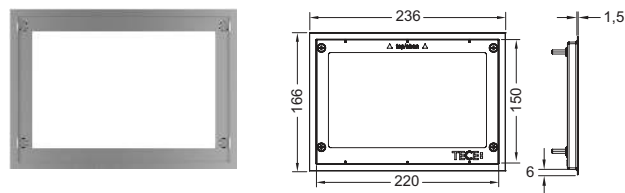
Suitable for dry-wall toilet modules; also for brick-wall constructions in combination with the TECEbox bare-wall protection system (Item No. 9030029). To obtain a clean edge, please use a water jet cutter to prepare the tile cut-out.

| Colour | Exhibition samples | Item No. | DU 1 | DU 2 |
|---------------|--------------------|----------|-------|--------|
| White | Yes | 9240646 | 1 pc. | 20 pc. |
| Black | Yes | 9240647 | 1 pc. | 20 pc. |
| Bright chrome | Yes | 9240649 | 1 pc. | 20 pc. |
| Gold plated | — | 9240648 | 1 pc. | 20 pc. |
| Bright metal | — | 9240644 | 1 pc. | 20 pc. |

Information on exhibits is available in the section "Exhibition samples".

TECE toilet cover frame for toilet installation frame

Metal Cover frame for combination with toilet installation frame. To cover uneven tile edges. Depth-adjustable Cover frame for wall coverings from 5-18 mm (from 18-33 mm with adjustment bolt - Item No. 9820181).

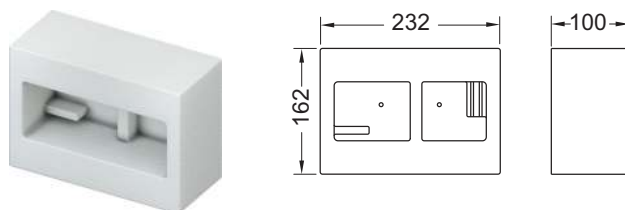


| Colour | Item No. | DU 1 | DU 2 | DU 3 |
|---------|----------|-------|--------|---------|
| Bright | 9240645 | 1 pc. | 10 pc. | 320 pc. |
| Brushed | 9240643 | 1 pc. | 10 pc. | 320 pc. |

TECEbox brick-wall protection system for flush-mounted installation

Larger bare-wall protection system for brick-wall construction to prepare the installation of the installation frame for toilet flush plates. Suitable for use with all TECEbox toilet modules.

Wall thickness at least 30 mm!



| Item No. | DU 1 |
|----------|-------|
| 9030029 | 1 pc. |

TECEvelvet toilet flush plate for dual-flush system

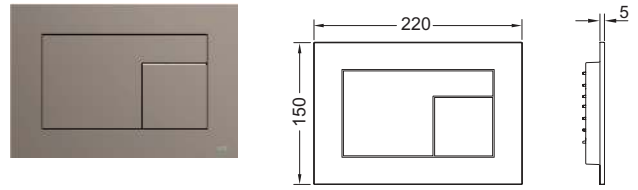
Flush plate for TECE cisterns, for front or top actuation. Very flat flush plate with FENIX NTM surface (FENIX® by Arpa Industriale). Matt Soft touch surface with anti-fingerprint. Flush buttons with rubber inlays, including actuation rods and mounting materials. Suitable for flush-mounted installation in combination with toilet installation frame and spacing frame. Compatible with insert chute for cleaning tablets.

Dimensions (W x H x D): 220 x 150 x 5 mm

Design by Konstantin Grcic

Note:

Ensure minimum wall finish of 23 mm in brick-wall construction!



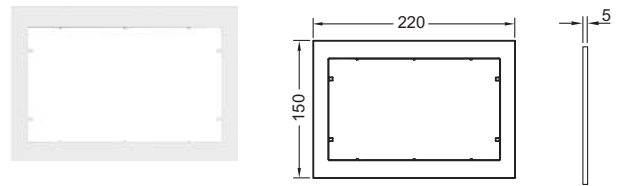
| Colour | Matching to | Exhibition samples | Item No. | DU 1 | DU 2 |
|-------------|---------------------------|--------------------|----------|-------|--------|
| White | FENIX NTM® Bianco Kos | — | 9240735 | 1 pc. | 10 pc. |
| Black | FENIX NTM® Nero Ingo | Yes | 9240732 | 1 pc. | 10 pc. |
| Beige brown | FENIX NTM® Castoro Ottawa | Yes | 9240730 | 1 pc. | 10 pc. |
| Grey beige | FENIX NTM® Beige Arizona | Yes | 9240733 | 1 pc. | 10 pc. |
| Anthracite | FENIX NTM® Grigio Londra | Yes | 9240731 | 1 pc. | 10 pc. |
| Stone grey | FENIX NTM® Grigio Efeso | — | 9240734 | 1 pc. | 10 pc. |

Information on exhibits is available in the section "Exhibition samples".

TECE spacing frame

Used as an intermediate spacer frame for TECEnow and TECEloop plastic flush plates and for flush mounting of TECEnow, TECEloop plastic, TECEvelvet and TECEsquare II glass.

Dimensions (W x H x D): 220 x 150 x 5 mm



| Colour | Item No. | DU 1 | DU 2 |
|---------------|----------|-------|--------|
| White | 9240410 | 1 pc. | 10 pc. |
| Bright chrome | 9240411 | 1 pc. | 10 pc. |
| Matt chrome | 9240412 | 1 pc. | 10 pc. |
| Black | 9240415 | 1 pc. | 10 pc. |

TECE toilet installation frame for flush-mounted installation

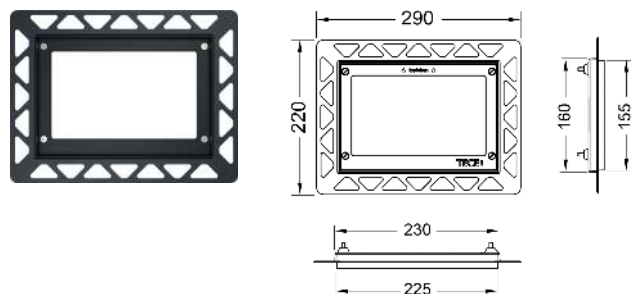
Installation kit for flush-mounted installation of toilet flush plates TECEloop glass, TECEloop plastic, TECEvelvet, TECEsquare glass, TECEsquare II glass, TECElux Mini as well as TECEnow. Depth-adjustable tile frame for wall coverings from 5-18 mm (from 18-33 mm with adjustment bolt - Item No. 9820181). Including disassembly tool for flush plate.

Installation frame required during shell assembly!

Caution:

Suitable for dry-wall toilet modules; also for brick-wall constructions in combination with the TECEbox bare-wall protection system (Item No. 9030029).

To obtain a clean edge, please use a water jet cutter to prepare the tile cut-out.



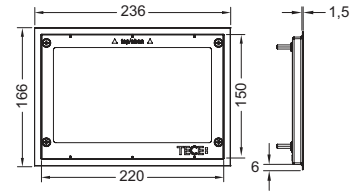
| Colour | Exhibition samples | Item No. | DU 1 | DU 2 |
|---------------|--------------------|----------|-------|--------|
| White | Yes | 9240646 | 1 pc. | 20 pc. |
| Black | Yes | 9240647 | 1 pc. | 20 pc. |
| Bright chrome | Yes | 9240649 | 1 pc. | 20 pc. |
| Gold plated | — | 9240648 | 1 pc. | 20 pc. |
| Bright metal | — | 9240644 | 1 pc. | 20 pc. |

Information on exhibits is available in the section "Exhibition samples".

Toilet flush plate – TECEvelvet

TECE toilet cover frame for toilet installation frame

Metal Cover frame for combination with toilet installation frame. To cover uneven tile edges. Depth-adjustable Cover frame for wall coverings from 5-18 mm (from 18-33 mm with adjustment bolt - Item No. 9820181).

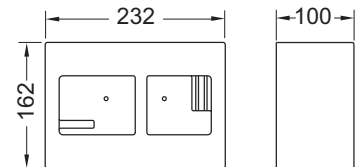


| Colour | Item No. | DU 1 | DU 2 | DU 3 |
|---------|----------|-------|--------|---------|
| Bright | 9240645 | 1 pc. | 10 pc. | 320 pc. |
| Brushed | 9240643 | 1 pc. | 10 pc. | 320 pc. |

TECEbox brick-wall protection system for flush-mounted installation

Larger bare-wall protection system for brick-wall construction to prepare the installation of the installation frame for toilet flush plates. Suitable for use with all TECEbox toilet modules.

Wall thickness at least 30 mm!



| Item No. | DU 1 |
|----------|-------|
| 9030029 | 1 pc. |

TECEloop modular system

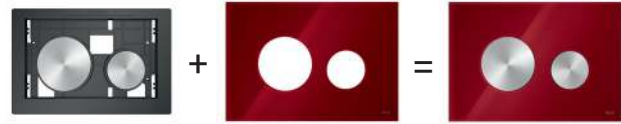
The TECEloop modular system can be used to individually combine the covers and push-buttons. The choice of cover colours and different push-button colours produces a multitude of combinations.

In combination with the installation frame for toilet flush plates suitable for flush mounting.

Modular system consisting of:

- Actuation unit with push-button for TECEloop toilet flush plate
- Cover for TECEloop toilet flush plate

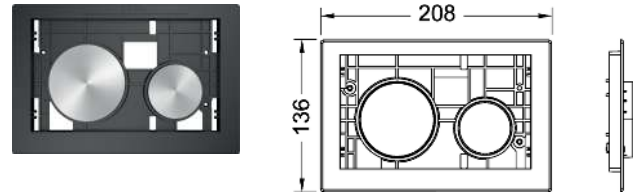
Compatible with insert chute for cleaning tablets.



TECEloop actuation unit for toilet flush plate

Actuation unit with buttons for TECEloop flush plates for front or top actuation, for combination with the cover of the TECEloop modular system.

Cover not included in the scope of delivery.



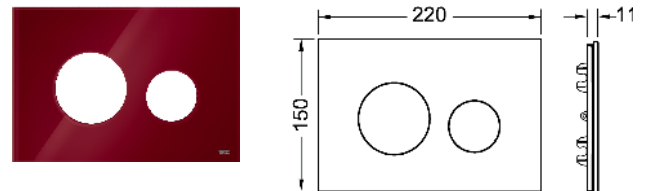
| Colour | Exhibition samples | Item No. | DU 1 | DU 2 |
|--|--------------------|----------|-------|--------|
| Polished white buttons | Yes | 9240663 | 1 pc. | 10 pc. |
| Matt white buttons | — | 9240618 | 1 pc. | 10 pc. |
| White buttons antibac | — | 9240664 | 1 pc. | 10 pc. |
| Bright chrome buttons | Yes | 9240666 | 1 pc. | 10 pc. |
| Matt chrome buttons | Yes | 9240665 | 1 pc. | 10 pc. |
| Polished black buttons | — | 9240667 | 1 pc. | 10 pc. |
| Matt black buttons | Yes | 9240619 | 1 pc. | 10 pc. |
| Brushed round stainless steel look buttons (with anti-fingerprint) | Yes | 9240669 | 1 pc. | 10 pc. |
| Gold buttons | — | 9240668 | 1 pc. | 10 pc. |

Information on exhibits is available in the section "Exhibition samples".

TECEloop cover for toilet flush plate

Cover for TECEloop flush plates for front or top actuation, for combination with the actuation unit of the TECEloop modular system.

Actuation unit not included in the scope of delivery.



| Colour | Exhibition samples | Matching to | Item No. | DU 1 | DU 2 |
|-----------------------------|--------------------|-------------|----------|-------|--------|
| Polished white glass | Yes | - | 9240671 | 1 pc. | 10 pc. |
| Polished black glass | Yes | Alape/Emco | 9240674 | 1 pc. | 10 pc. |
| Polished coffee brown glass | Yes | - | 9240678 | 1 pc. | 10 pc. |
| Polished ruby red glass | Yes | Alape | 9240679 | 1 pc. | 10 pc. |
| Polished evening blue glass | Yes | - | 9240615 | 1 pc. | 10 pc. |
| Polished titanium glass | — | - | 9240616 | 1 pc. | 10 pc. |
| Polished light beige glass | — | - | 9240617 | 1 pc. | 10 pc. |
| Oak wood | Yes | - | 9240612* | 1 pc. | 10 pc. |
| White marble | Yes | - | 9240613* | 1 pc. | 10 pc. |
| Light concrete | Yes | - | 9240614* | 1 pc. | 10 pc. |
| Slate slab | Yes | - | 9240675* | 1 pc. | 10 pc. |

Information on exhibits is available in the section "Exhibition samples".

Toilet flush plate – TECEloop

TECEloop cover support for toilet flush plate, tileable

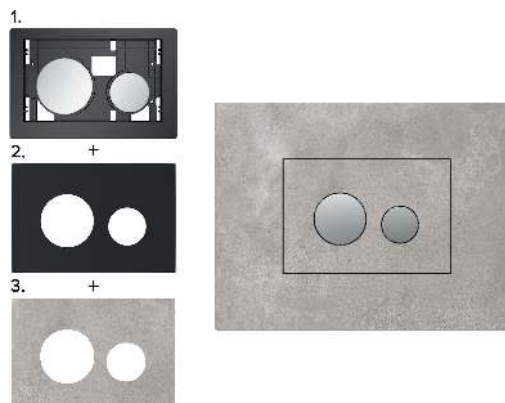
Cover support for TECEloop flush plates for actuation from the front or from above, tileable surface. For combination with the flush plate from the TECEloop modular system. Suitable for flush-mounted installation in combination with toilet installation frame (e.g. 9240649). Compatible with insert chute for cleaning tablets.

Dimensions (W x H x D): 216 x 145 x 6 mm

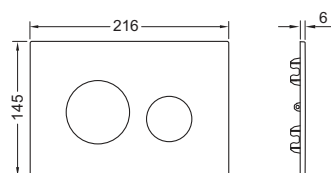
Operating unit and toilet installation frame not included in the scope of delivery.

Note:

Material thickness of the individually used tile max. 5 mm.



Actuation unit (1.) + cover support (2.) + tile (3.) = tiled wall in conjunction with the installation frame for flush mounting



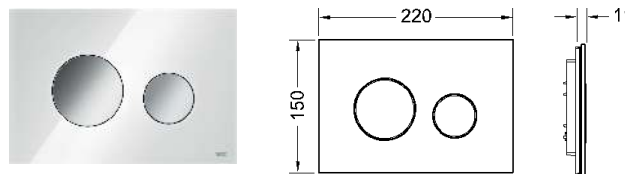
| Colour | Item No. | DU 1 | DU 2 |
|--------|----------|-------|--------|
| Black | 9240631 | 1 pc. | 10 pc. |

TECEloop toilet flush plate for dual-flush system

Flush plate for TECE cisterns, for front or top actuation. Flat glass flush plate with two spring-mounted flush buttons. Suitable for flush-mounted installation in combination with toilet installation frame (e.g. 9240649). Compatible with insert chute for cleaning tablets.

Dimensions (W x H x D): 220 x 150 x 11 mm

Toilet installation frame not included in the scope of delivery.



| Colour | Exhibition samples | Item No. | DU 1 | DU 2 |
|--|--------------------|----------|-------|--------|
| Polished white glass, polished white buttons | Yes | 9240650 | 1 pc. | 10 pc. |
| Polished white glass, matt chrome buttons | Yes | 9240659 | 1 pc. | 10 pc. |
| Polished white glass, bright chrome buttons | Yes | 9240660 | 1 pc. | 10 pc. |
| Polished black glass, polished white buttons | Yes | 9240654 | 1 pc. | 10 pc. |
| Polished black glass, matt chrome buttons | Yes | 9240655 | 1 pc. | 10 pc. |
| Polished black glass, bright chrome buttons | Yes | 9240656 | 1 pc. | 10 pc. |
| Polished black glass, polished black buttons | Yes | 9240657 | 1 pc. | 10 pc. |

Information on exhibits is available in the section "Exhibition samples".

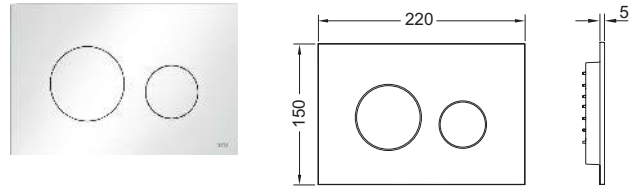
TECEloop plastic toilet flush plate for dual-flush system

Flush plate for TECE cisterns, for front or top actuation. Very flat plastic flush plate, flush buttons with rubber inlays, including actuation rods and mounting materials. Suitable for flush-mounted installation in combination with toilet installation frame and spacing frame. Compatible with insert chute for cleaning tablets.

Dimensions (W x H x D): 220 x 150 x 5 mm

Note:

Ensure minimum brick-wall construction thickness of 23 mm!



| Colour | Exhibition samples | Item No. | DU 1 | DU 2 |
|---------------------------------------|--------------------|----------|-------|--------|
| Polished white | Yes | 9240920 | 1 pc. | 10 pc. |
| Matt white | — | 9240926 | 1 pc. | 10 pc. |
| Bright chrome | — | 9240921 | 1 pc. | 10 pc. |
| Matt chrome | Yes | 9240922 | 1 pc. | 10 pc. |
| Polished black | — | 9240924 | 1 pc. | 10 pc. |
| Matt black | Yes | 9240925 | 1 pc. | 10 pc. |
| Polished white, bright chrome buttons | — | 9240927 | 1 pc. | 10 pc. |

Information on exhibits is available in the section "Exhibition samples".

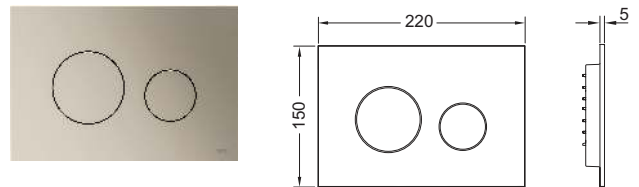
TECEloop plastic toilet flush plate for dual-flush system, metallic

Flush plate for TECE cisterns, for front or top actuation. Very flat plastic flush plate with rubber inlays on flush buttons, incl. actuation rods and mounting material. Suitable for flush-mounted installation in combination with toilet installation frame and the TECE spacing frame. Compatible with insert chute for cleaning tablets.

Dimensions (W x H x D): 220 x 150 x 5 mm

Note:

Ensure minimum brick-wall construction thickness of 23 mm!



| Colour | Exhibition samples | Item No. | DU 1 | DU 2 |
|---------------------|--------------------|----------|-------|--------|
| Metallic nickel | — | 9240935 | 1 pc. | 10 pc. |
| Metallic brass | Yes | 9240936 | 1 pc. | 10 pc. |
| Metallic red bronze | Yes | 9240937 | 1 pc. | 10 pc. |
| Metallic graphite | — | 9240938 | 1 pc. | 10 pc. |

Information on exhibits is available in the section "Exhibition samples".

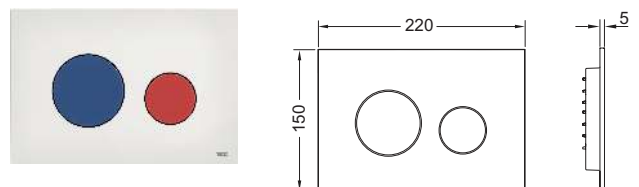
TECEloop plastic toilet flush plate for dual-flush system, "Kids" NEW

Flush plate for TECE cisterns for actuation from the front or from above, with full flush button in blue and partial flush button in red. Very flat plastic flush plate with rubber inlays on flush buttons, incl. actuation rods and mounting material. Suitable for flush-mounted installation in combination with toilet installation frame and the TECE spacing frame. Compatible with insert chute for cleaning tablets.

Dimensions (W x H x D): 220 x 150 x 5 mm

Note:

Ensure minimum brick-wall construction thickness of 23 mm!



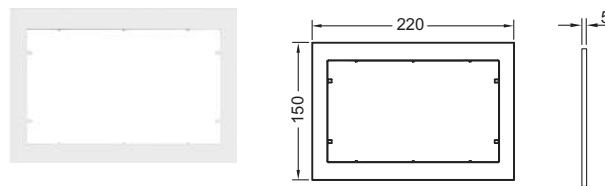
| Colour | Item No. | DU 1 | DU 2 |
|---|--------------------|-------|--------|
| Polished white, polished red/blue buttons | 9240939 NEW | 1 pc. | 10 pc. |

Toilet flush plate – TECEloop

TECE spacing frame

Used as an intermediate spacer frame for TECEnow and TECEloop plastic flush plates and for flush mounting of TECEnow, TECEloop plastic, TECEvelvet and TECEsquare II glass.

Dimensions (W x H x D): 220 x 150 x 5 mm



| Colour | Item No. | DU 1 | DU 2 |
|---------------|----------|-------|--------|
| White | 9240410 | 1 pc. | 10 pc. |
| Bright chrome | 9240411 | 1 pc. | 10 pc. |
| Matt chrome | 9240412 | 1 pc. | 10 pc. |
| Black | 9240415 | 1 pc. | 10 pc. |

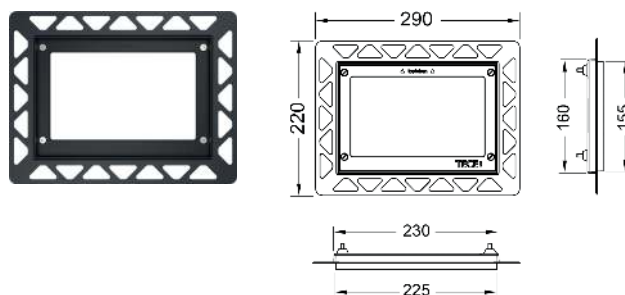
TECE toilet installation frame for flush-mounted installation

Installation kit for flush-mounted installation of toilet flush plates TECEloop glass, TECEloop plastic, TECEvelvet, TECEsquare glass, TECEsquare II glass, TECElux Mini as well as TECEnow. Depth-adjustable tile frame for wall coverings from 5-18 mm (from 18-33 mm with adjustment bolt - Item No. 9820181). Including disassembly tool for flush plate.

Installation frame required during shell assembly!

Caution:

Suitable for dry-wall toilet modules; also for brick-wall constructions in combination with the TECEbox bare-wall protection system (Item No. 9030029). To obtain a clean edge, please use a water jet cutter to prepare the tile cut-out.

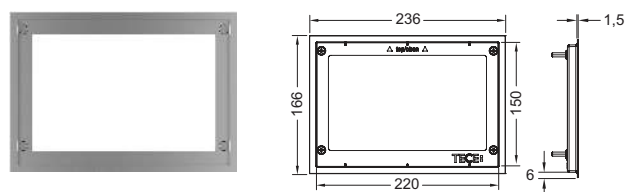


| Colour | Exhibition samples | Item No. | DU 1 | DU 2 |
|---------------|--------------------|----------|-------|--------|
| White | Yes | 9240646 | 1 pc. | 20 pc. |
| Black | Yes | 9240647 | 1 pc. | 20 pc. |
| Bright chrome | Yes | 9240649 | 1 pc. | 20 pc. |
| Gold plated | — | 9240648 | 1 pc. | 20 pc. |
| Bright metal | — | 9240644 | 1 pc. | 20 pc. |

Information on exhibits is available in the section "Exhibition samples".

TECE toilet cover frame for toilet installation frame

Metal Cover frame for combination with toilet installation frame. To cover uneven tile edges. Depth-adjustable Cover frame for wall coverings from 5-18 mm (from 18-33 mm with adjustment bolt - Item No. 9820181).

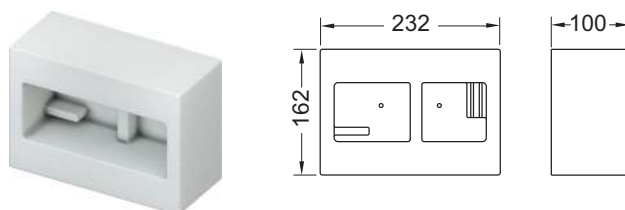


| Colour | Item No. | DU 1 | DU 2 | DU 3 |
|---------|----------|-------|--------|---------|
| Bright | 9240645 | 1 pc. | 10 pc. | 320 pc. |
| Brushed | 9240643 | 1 pc. | 10 pc. | 320 pc. |

TECEbox brick-wall protection system for flush-mounted installation

Larger bare-wall protection system for brick-wall construction to prepare the installation of the installation frame for toilet flush plates. Suitable for use with all TECEbox toilet modules.

Wall thickness at least 30 mm!

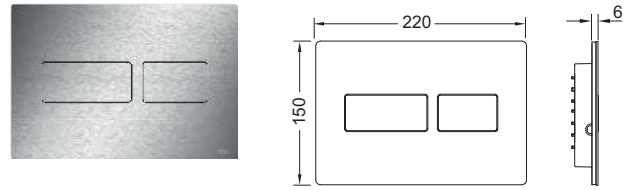


| Item No. | DU 1 |
|----------|-------|
| 9030029 | 1 pc. |

TECESolid toilet flush plate for dual-flush system

Flush plate for TECE cisterns, for front or top actuation. Very flat stainless steel flush plate with rubber inlays on flush buttons, incl. actuating rods and mounting material. Flush plate covertly screwable. Compatible with insert chute for cleaning tablets.

Dimensions (W x H x D): 220 x 150 x 6 mm



Note:

Observe minimum wall finish of 26 mm in brick-wall construction.

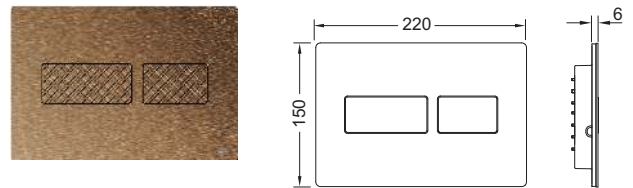
| Colour | Exhibition samples | Item No. | DU 1 | DU 2 |
|---|--------------------|----------|-------|--------|
| Polished white | Yes | 9240432 | 1 pc. | 10 pc. |
| Matt white | — | 9240433 | 1 pc. | 10 pc. |
| Brushed stainless steel | — | 9240430 | 1 pc. | 10 pc. |
| Brushed stainless steel (with anti-fingerprint) | Yes | 9240434 | 1 pc. | 10 pc. |
| Bright chrome | Yes | 9240431 | 1 pc. | 10 pc. |
| Matt black | — | 9240416 | 1 pc. | 10 pc. |
| Brushed bronze | — | 9240444 | NEW | 1 pc. |
| Brushed brass | — | 9240445 | NEW | 1 pc. |
| Brushed nickel | — | 9240446 | NEW | 1 pc. |
| Brushed graphite | — | 9240447 | NEW | 1 pc. |

Information on exhibits is available in the section "Exhibition samples".

TECESolid toilet flush plate for dual-flush system, with textured surface

Flush plate with structured surface for TECE cisterns, for front or top actuation. Very flat stainless steel flush plate with rubber inlays on flush buttons, incl. actuation rods and mounting material. Flush plate covertly screwable. Compatible with insert chute for cleaning tablets.

Dimensions (W x H x D): 220 x 150 x 6 mm



Note:

Observe minimum wall finish of 26 mm in brick-wall construction.

| Colour | Exhibition samples | Item No. | DU 1 | DU 2 |
|---------------------------------------|--------------------|----------|-------|--------|
| Brushed bronze with diamond structure | — | 9240435 | 1 pc. | 10 pc. |
| Brushed brass with diamond structure | Yes | 9240436 | 1 pc. | 10 pc. |
| Brushed nickel with line structure | — | 9240437 | 1 pc. | 10 pc. |
| Brushed graphite with line structure | Yes | 9240438 | 1 pc. | 10 pc. |

Information on exhibits is available in the section "Exhibition samples".

TECESolid concealed screws

Concealed screw connection for anti-theft protection of TECESolid flush plate, includes assembly tool.

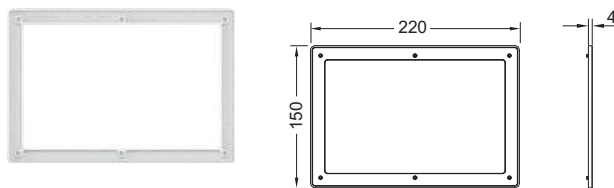


| Item No. | DU 1 |
|----------|-------|
| 9240442 | 1 pc. |

Toilet flush plate – TECESolid

TECESolid spacing frame

For combination with the TECESolid flush plate, use as an intermediate spacer frame and for flush mounting of the insert chute II and the TECESquare II glass. Dimensions (W x H x D): 220 x 150 x 4 mm



| Colour | Item No. | DU 1 | DU 2 |
|--------|----------|-------|--------|
| White | 9240440 | 1 pc. | 10 pc. |
| Grey | 9240441 | 1 pc. | 10 pc. |

Toilet flush plate – TECESolid electronic flushing systems

TECESolid toilet electronics with touchless actuation, 6 V battery

Electronic flush plate with touch-free hygienic actuation for TECE cisterns with front actuation and actuation height of approx. 1 m (centre of flush plate). Very flat stainless steel flush plate including fixing material, watertight battery compartment for installation in the cistern (with four batteries type Mono/D/LR 20) and actuation motor for single or dual flush. Compatible with insertion chute for cleaning tablets.

Dimensions (W x H x D): 220 x 150 x 6 mm

Function of the electronics:

The sensor detects when a person approaches the toilet and only illuminates the flush buttons then. The flush actuation is touch-free or by touching the button area. The TECESolid toilet electronics can be adapted to individual requirements using app programming.

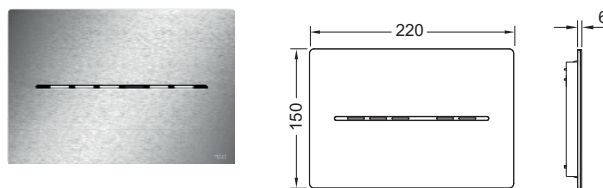
Programmable functions (via Bluetooth interface and app):

- Single or water-saving dual flush
- Detection range of the sensor
- Interval hygiene flush
- Activation time
- Pre-flush
- Automatic flush (safety flush)
- Display illumination brightness

Evaluation/logging function via app, interface to building management system and for remote release via cable-connected electric button on the safety arm support.

Note:

- Ensure minimum wall finish of 26 mm in brick-wall construction!
- Not compatible with toilet modules of installation heights 980, 820 and 750 mm.
- Not compatible with TOTO Washlets RX and SX.



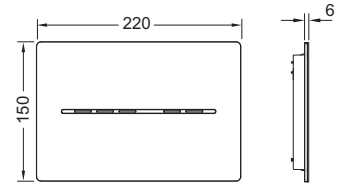
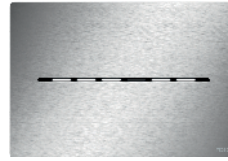
| Colour | Exhibition samples | Item No. | DU 1 |
|---|--------------------|----------|-------|
| Bright chrome | — | 9240461 | 1 pc. |
| Polished white | — | 9240462 | 1 pc. |
| Matt white | — | 9240463 | 1 pc. |
| Brushed stainless steel (with anti-fingerprint) | Yes | 9240464 | 1 pc. |
| Matt black | — | 9240465 | 1 pc. |

Information on exhibits is available in the section "Exhibition samples".

Toilet flush plate – TECEsolid electronic flushing systems

TECEsolid toilet electronics with touchless actuation, 12 V mains

Electronic flush plate with touch-free hygienic actuation for TECE cisterns with front actuation and actuation height of approx. 1 m (centre of flush plate). Very flat stainless steel flush plate including fixing material and actuation motor for single or dual flush. Compatible with insertion chute for cleaning tablets. Dimensions (W x H x D): 220 x 150 x 6 mm



Function of the electronics:

The sensor detects when a person approaches the toilet and only illuminates the flush buttons then. The flush actuation is touch-free or by touching the button area. The TECEsolid toilet electronics can be adapted to individual requirements using app programming.

Programmable functions (via Bluetooth interface and app):

- Single or water-saving dual flush
- Detection range of the sensor
- Interval hygiene flush
- Activation time
- Pre-flush
- Automatic flush (safety flush)
- Display illumination brightness

Evaluation/logging function via app, interface to building management system and for remote release via wired electric button on the safety arm support, including 9-volt block battery for emergency power supply.

Please order separately:

- For 230/12 V connection: transformer including connection cable (230 V connection voltage, Item No. 98 10012)

Note:

- Ensure minimum wall finish of 26 mm in brick-wall construction!
- TECEsolid toilet electronics requires a power connection.
- Not compatible with toilet modules of installation heights 980, 820 and 750 mm.
- Not compatible with TOTO Washlets RX and SX.

| Colour | Exhibition samples | Item No. | DU 1 |
|---|--------------------|----------|-------|
| Bright chrome | — | 9240451 | 1 pc. |
| Polished white | — | 9240452 | 1 pc. |
| Matt white | — | 9240453 | 1 pc. |
| Brushed stainless steel (with anti-fingerprint) | Yes | 9240454 | 1 pc. |
| Matt black | — | 9240455 | 1 pc. |

Information on exhibits is available in the section "Exhibition samples".

Toilet flush plate – TECEsolid electronic flushing systems

TECEsolid toilet electronics anti-theft device

Concealed screw connection for anti-theft protection of TECEsolid toilet electronics.



| | |
|-----------------|-------------|
| Item No. | DU 1 |
| 9240443 | 1 pc. |

TECE transformer for toilet electronics including connection cable

Transformer for the electrical connection of the TECElux Mini as well as the TECEsolid toilet electronics (approx. 1 m central flush plate). One flush plate can be connected per transformer. For mounting in a flush-mounted socket with a diameter of 60 mm and depth of 63 mm. Electrical connection voltage 230 V (100-240 V, 50-60 Hz), output 12 V DC. Cable length 5 m.



| | |
|-----------------|-------------|
| Item No. | DU 1 |
| 9810012 | 1 pc. |

Toilet flush plate – TECEplanus electronic flushing systems

TECEplanus toilet remote release for safety arm support, 6 V battery

For barrier-free construction, for remote release of TECE cisterns via radio switch in the safety support arm. Suitable for all TECE cisterns with actuation from the front und actuation height of approx. 1 m. Additional manual flush actuation possible via flush plate (not included in the scope of delivery).

Suitable for safety support arms with radio actuation:

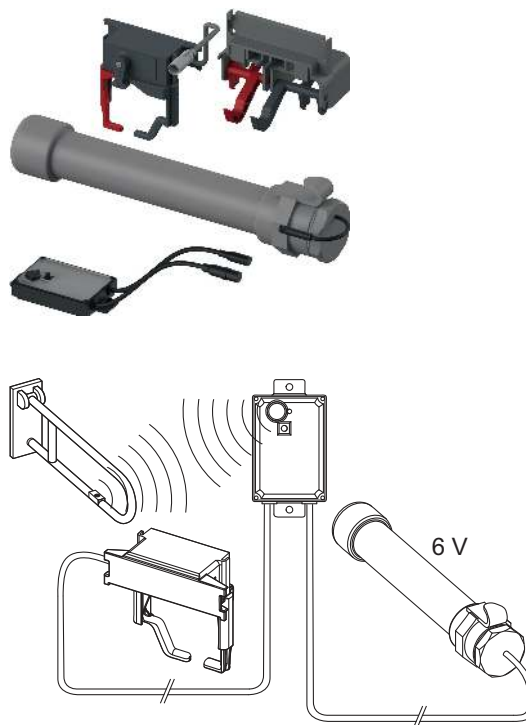
- HEWI series LifeSystem safety support arms 802.50.., with upgrade set HEWI 802.50.060R (right) or HEWI 802.50.060L (left)
- HEWI series 801 safety support arms 801.50.., with upgrade set HEWI 801.50.060
- HEWI series 805 safety support arms 805.50.., with upgrade set HEWI 801.50.060
- KEUCO Plan Care 34903 and 34905 with radio actuation

Consisting of:

- Adjustable flush volume 4.5/6/7.5 or 9 litres
- Water-tight battery compartment for installation in the cistern
- four batteries, type Mono/D/LR20
- actuation motor

Please order separately:

- Manual flush plate
- Single or dual volume flush plate



| Item No. | DU 1 |
|----------|-------|
| 9240354* | 1 pc. |

TECEplanus toilet remote release for safety arm support, 12 V mains

For barrier-free construction, for remote release of TECE cisterns via radio switch in the safety support arm. Suitable for all TECE cisterns with actuation from the front und actuation height of approx. 1 m. Additional manual flush actuation possible via flush plate (not included in the scope of delivery).

Suitable for safety support arms with radio actuation:

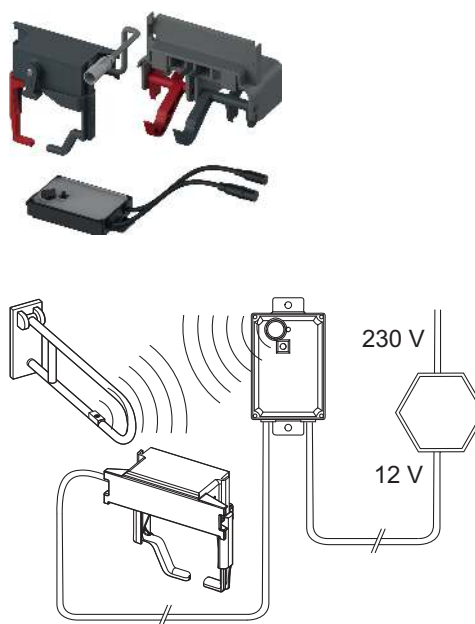
- HEWI series LifeSystem safety support arms 802.50.., with upgrade set HEWI 802.50.060R (right) or HEWI 802.50.060L (left)
- HEWI series 801 safety support arms 801.50.., with upgrade set HEWI 801.50.060
- HEWI series 805 safety support arms 805.50.., with upgrade set HEWI 801.50.060
- KEUCO Plan Care 34903 and 34905 with radio actuation

Consisting of:

- Adjustable flush volume 4.5/6/7.5 or 9 litres
- Power supply by external 230/12 V transformer (transformer not included in the scope of delivery).
- actuation motor

Please order separately:

- TECEplanus 230/12 V transformer – Item No. 9810003
- TECEplanus 12 V connection cable – Item No. 9810004
- Single or dual volume flush plate



| Item No. | DU 1 |
|----------|-------|
| 9240355* | 1 pc. |

TECEplanus toilet remote release for cable-connected electronic buttons, 6 V battery

For barrier-free construction, for remote release of TECE cisterns by cable-connected electric push-buttons in the safety support arm or in the wall. Suitable for all TECE cisterns with actuation from the front und actuation height of approx. 1 m. Additional manual flush actuation possible via flush plate (not included in the scope of delivery).

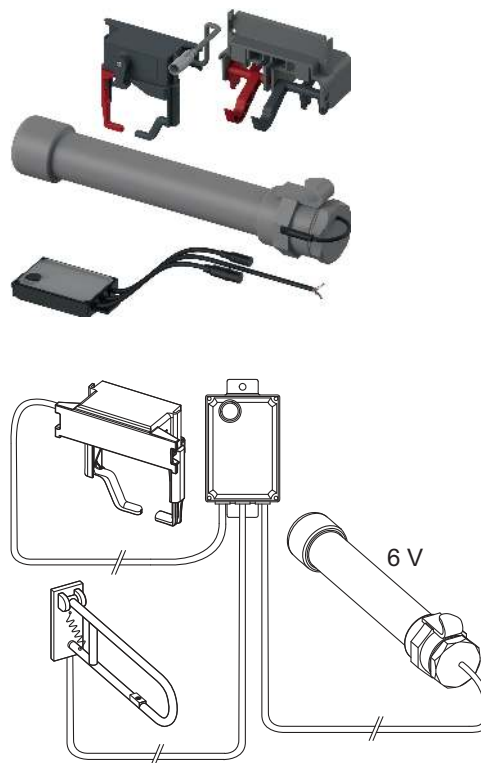
Consisting of:

- Adjustable flush volume 4.5/6/7.5 or 9 litres
- Water-tight battery compartment for installation in the cistern
- four batteries, type Mono/D/LR20
- actuation motor

Please order separately:

- Single or dual volume flush plate

| | |
|----------|-------|
| Item No. | DU 1 |
| 9240356* | 1 pc. |



TECEplanus toilet remote release for cable-connected electronic buttons, 12 V mains

For barrier-free construction, for remote release of TECE cisterns by cable-connected electric push-buttons in the safety support arm or in the wall. Suitable for all TECE cisterns with actuation from the front und actuation height of approx. 1 m. Additional manual flush actuation possible via flush plate (not included in the scope of delivery).

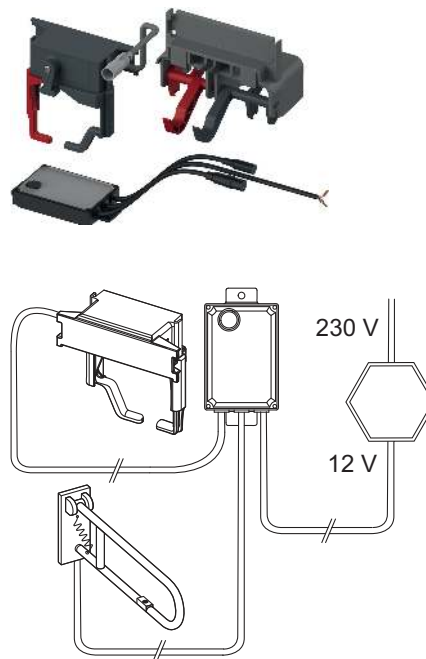
Consisting of:

- Adjustable flush volume 4.5/6/7.5 or 9 litres
- Power supply by external 230/12 V transformer (transformer not included in the scope of delivery)
- actuation motor

Please order separately:

- TECEplanus 230/12 V transformer – Item No. 9810003
- TECEplanus 12 V connection cable – Item No. 9810004
- Single or dual volume flush plate

| | |
|----------|-------|
| Item No. | DU 1 |
| 9240357* | 1 pc. |



* Not in combination with Octa cistern, 8 cm

Toilet flush plate – TECEplanus electronic flushing systems

TECEplanus transformer for 230/12 V mains electronics, toilet/urinal

For installation in standard flush-mounted boxes with \varnothing 60 mm, up to 5 urinal electronics or 1 toilet electronics can be connected.

Electrical connection: 230 V

Output: 12 V DC



| | |
|-----------------|-------------|
| Item No. | DU 1 |
| 9810003 | 1 pc. |

TECEplanus connection cable for 12 V mains electronics, toilet/urinal

Twin-core connection cable, length 10 m.



| | |
|-----------------|-------------|
| Item No. | DU 1 |
| 9810004 | 1 pc. |

TECEplanus radio button

Retrofit button for safety arm support, suitable for TECE radio controlled toilet flush system.



| | |
|-----------------|-------------|
| Item No. | DU 1 |
| 9240360 | 1 pc. |

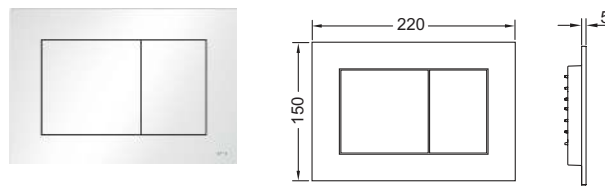
TECEnow toilet flush plate for dual-flush system

Flush plate for TECE cisterns, for front or top actuation. Very flat plastic flush plate, buttons with rubber inlays on both sides. Incl. actuating rods and mounting material. Suitable for flush-mounted installation in combination with toilet installation frame and spacing frame. Compatible with insert chute for cleaning tablets.

Dimensions (W x H x D): 220 x 150 x 5 mm

Note:

Ensure minimum brick-wall construction thickness of 23 mm!



| Colour | Exhibition samples | Item No. | DU 1 | DU 2 |
|----------------------|--------------------|----------|-------|--------|
| Polished white | Yes | 9240400 | 1 pc. | 10 pc. |
| White, antibacterial | — | 9240405 | 1 pc. | 10 pc. |
| Matt white | — | 9240417 | 1 pc. | 10 pc. |
| Bright chrome | Yes | 9240401 | 1 pc. | 10 pc. |
| Matt chrome | Yes | 9240402 | 1 pc. | 10 pc. |
| Polished black | Yes | 9240403 | 1 pc. | 10 pc. |
| Matt black | Yes | 9240407 | 1 pc. | 10 pc. |

Information on exhibits is available in the section "Exhibition samples".

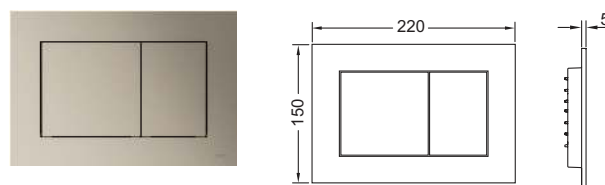
TECEnow toilet flush plate for dual-flush system, metallic

Flush plate for TECE cisterns, for front or top actuation. Very flat plastic flush plate with rubber inlays on flush buttons, incl. actuation rods and mounting material. Suitable for flush-mounted installation in combination with toilet installation frame and the TECE spacing frame. Compatible with insert chute for cleaning tablets.

Dimensions (W x H x D): 220 x 150 x 5 mm

Note:

Ensure minimum brick-wall construction thickness of 23 mm!



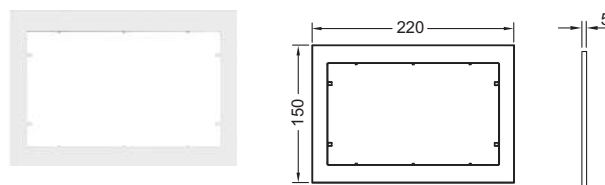
| Colour | Exhibition samples | Item No. | DU 1 | DU 2 |
|---------------------|--------------------|----------|-------|--------|
| Metallic nickel | Yes | 9240418 | 1 pc. | 10 pc. |
| Metallic brass | — | 9240419 | 1 pc. | 10 pc. |
| Metallic red bronze | — | 9240422 | 1 pc. | 10 pc. |
| Metallic graphite | Yes | 9240423 | 1 pc. | 10 pc. |

Information on exhibits is available in the section "Exhibition samples".

TECE spacing frame

Used as an intermediate spacer frame for TECEnow and TECEloop plastic flush plates and for flush mounting of TECEnow, TECEloop plastic, TECEnvet and TECESquare II glass.

Dimensions (W x H x D): 220 x 150 x 5 mm

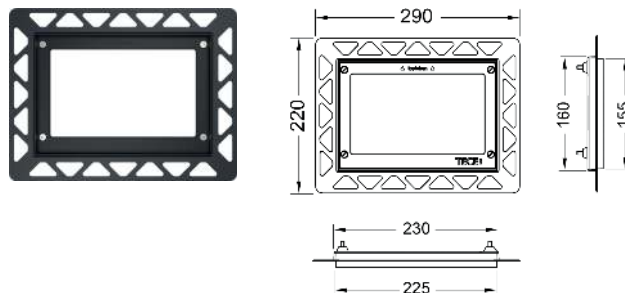


| Colour | Item No. | DU 1 | DU 2 |
|---------------|----------|-------|--------|
| White | 9240410 | 1 pc. | 10 pc. |
| Bright chrome | 9240411 | 1 pc. | 10 pc. |
| Matt chrome | 9240412 | 1 pc. | 10 pc. |
| Black | 9240415 | 1 pc. | 10 pc. |

Toilet flush plate – TECEnow

TECE toilet installation frame for flush-mounted installation

Installation kit for flush-mounted installation of toilet flush plates TECEloop glass, TECEloop plastic, TECEvelvet, TECEsquare glass, TECEsquare II glass, TECElux Mini as well as TECEnow. Depth-adjustable tile frame for wall coverings from 5-18 mm (from 18-33 mm with adjustment bolt - Item No. 9820181). Including disassembly tool for flush plate.



Installation frame required during shell assembly!

Caution:

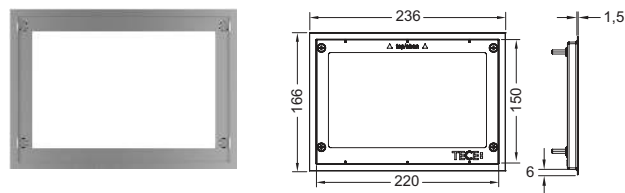
Suitable for dry-wall toilet modules; also for brick-wall constructions in combination with the TECEbox bare-wall protection system (Item No. 9030029). To obtain a clean edge, please use a water jet cutter to prepare the tile cut-out.

| Colour | Exhibition samples | Item No. | DU 1 | DU 2 |
|---------------|--------------------|----------|-------|--------|
| White | Yes | 9240646 | 1 pc. | 20 pc. |
| Black | Yes | 9240647 | 1 pc. | 20 pc. |
| Bright chrome | Yes | 9240649 | 1 pc. | 20 pc. |
| Gold plated | — | 9240648 | 1 pc. | 20 pc. |
| Bright metal | — | 9240644 | 1 pc. | 20 pc. |

Information on exhibits is available in the section "Exhibition samples".

TECE toilet cover frame for toilet installation frame

Metal Cover frame for combination with toilet installation frame. To cover uneven tile edges. Depth-adjustable Cover frame for wall coverings from 5-18 mm (from 18-33 mm with adjustment bolt - Item No. 9820181).

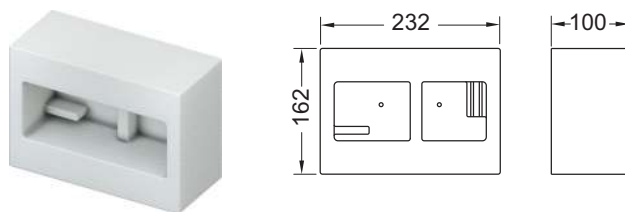


| Colour | Item No. | DU 1 | DU 2 | DU 3 |
|---------|----------|-------|--------|---------|
| Bright | 9240645 | 1 pc. | 10 pc. | 320 pc. |
| Brushed | 9240643 | 1 pc. | 10 pc. | 320 pc. |

TECEbox brick-wall protection system for flush-mounted installation

Larger bare-wall protection system for brick-wall construction to prepare the installation of the installation frame for toilet flush plates. Suitable for use with all TECEbox toilet modules.

Wall thickness at least 30 mm!

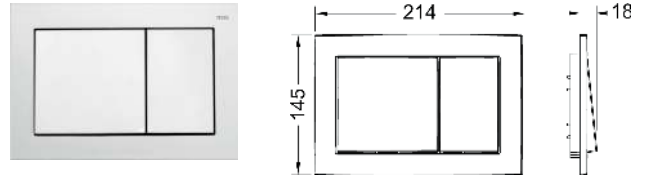


| Item No. | DU 1 |
|----------|-------|
| 9030029 | 1 pc. |

TECEbase toilet flush plate for dual-flush system

Flush plate for TECE cisterns, for front or top actuation. Plastic flush plate incl. actuating rods and mounting material. Compatible with insert chute for cleaning tablets.

Dimensions (W x H x D): 214 x 145 x 18 mm



| Colour | Item No. | DU 1 | DU 2 |
|----------------|----------|-------|--------|
| Polished white | 9240700 | 1 pc. | 10 pc. |
| Bright chrome | 9240701 | 1 pc. | 10 pc. |
| Matt chrome | 9240702 | 1 pc. | 10 pc. |
| Matt black | 9240723 | 1 pc. | 10 pc. |

Toilet flush plate – TECEflushpoint

TECEflushpoint pneumatic remote release for cisterns with drain valve A 2, shell set

Pneumatic remote control for Uni 750-, Uni and Base cisterns for decentralised cistern actuation in combination with a manual TECE flush plate or an inspection cover. For use in solid and dry-wall construction or furniture installation.

Consisting of: pneumatic actuator for Uni cistern, flush-mounted socket, 2 m pneumatic hose, 2 m empty conduit, installation depth: 75 mm

Caution:

Can only be used in combination with the TECEflushpoint pneumatic remote release fine installation set 9240978-9240984 (please order separately).



| Item No. | DU 1 |
|----------|-------|
| 9240976 | 1 pc. |

TECEflushpoint pneumatic remote release for cistern with drain valve A 5, shell set

Pneumatic remote control for Compact 320-, Base 320-, Octa II- and Base 8 cisterns with drain valve A 5 for decentralised cistern actuation in combination with a manual TECE flush plate or an inspection cover. For use in solid and dry-wall construction or furniture installation.

Consisting of: pneumatic actuator for cistern, flush-mounted socket, 2 m pneumatic hose, 2 m empty conduit, installation depth: 75 mm

Caution:

Can only be used in combination with the TECEflushpoint pneumatic remote release fine installation set 9240978-9240984 (please order separately).



| Item No. | DU 1 |
|----------|-------|
| 9240977 | 1 pc. |

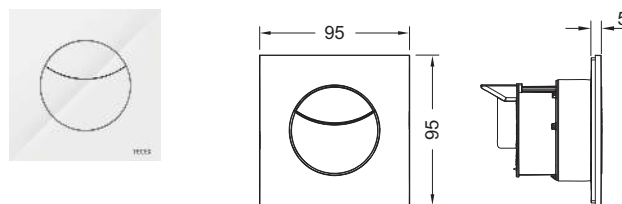
TECEflushpoint pneumatic remote release for dual-flush system, fine installation set, with square cover

Pneumatic remote release for TECE cisterns for decentralised actuation of the cistern in combination with a manual TECE flush plate or an inspection panel. For use in solid and dry-wall construction or furniture installation. Dimensions (W x H x D): 95 x 95 x 5 mm

Consisting of: very flat design plastic cover plate in square design, large and small plastic button and the pneumatic actuation unit

Caution:

Can only be used in combination with the TECEflushpoint pneumatic remote release shell set (please order separately).



| Colour | Item No. | DU 1 |
|----------------|----------|-------|
| Polished white | 9240978 | 1 pc. |
| Bright chrome | 9240979 | 1 pc. |
| Matt chrome | 9240980 | 1 pc. |

TECEflushpoint pneumatic remote release for dual-flush system, fine installation set, with round cover

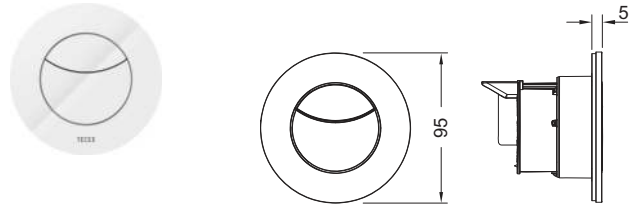
Pneumatic remote release for TECE cisterns for decentralised actuation of the cistern in combination with a manual TECE flush plate or an inspection panel. For use in solid and dry-wall construction or furniture installation. Dimensions (W x H x D): 95 x 95 x 5 mm

Consisting of: very flat design plastic cover plate in round design, large and small plastic button and the pneumatic actuation unit

Caution:

Can only be used in combination with the TECEflushpoint pneumatic remote release shell set (please order separately).

| Colour | Item No. | DU 1 |
|----------------|----------|-------|
| Polished white | 9240981 | 1 pc. |
| Bright chrome | 9240982 | 1 pc. |
| Matt chrome | 9240983 | 1 pc. |



TECEflushpoint pneumatic remote release for single-flush system, fine installation set, with square cover

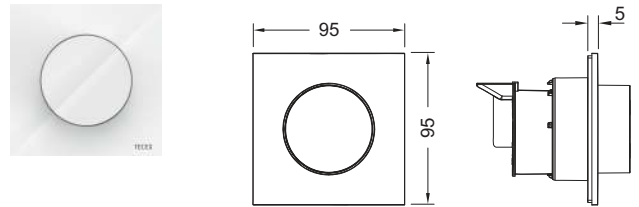
Pneumatic remote release for TECE cisterns for decentralised actuation of the cistern in combination with a manual TECE flush plate or an inspection panel. For use in solid and dry-wall construction or furniture installation. Dimensions (W x H x D): 95 x 95 x 5 mm

Consisting of: very flat design plastic cover plate in square design, large protruding plastic button and the pneumatic actuation unit

Caution:

Can only be used in combination with the TECEflushpoint pneumatic remote release shell set (please order separately).

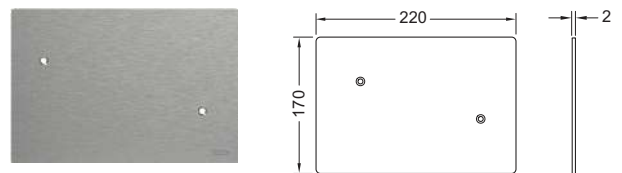
| Colour | Item No. | DU 1 |
|----------------|----------|-------|
| Polished white | 9240984 | 1 pc. |



TECEflushpoint cover plate

Cover plate without flush function with "easy fit" fixing screws, can be used in conjunction with pneumatic remote release, suitable for all TECE cisterns.

| Colour | Item No. | DU 1 |
|-------------------------|----------|-------|
| Brushed stainless steel | 9240999 | 1 pc. |



Toilet flush plate – Accessories

TECE insert chute II for cleaning tablets (TECElux Mini, TECEsquare glass, TECEvelvet, TECEloop and TECEnow)

For inserting toilet cleaning tablets into Uni and Base cisterns; in combination with TECElux Mini, TECEsquare glass, TECEvelvet, TECEloop and TECEnow flush plates; for installation from the front; suitable for flush-mounted installation.

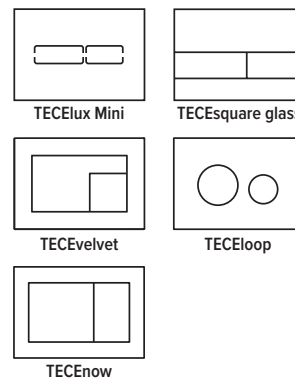
Use in brick-wall construction from 22 mm wall structure.

Maximum wall structure: 79 mm dry-wall construction, 98 mm brick-wall construction

Attention:

- The cleaning tablets used must not contain chlorine or any other oxidizing components.
- Not compatible with TECEflushpoint pneumatic remote release.

| | |
|-----------------|-------------|
| Item No. | DU 1 |
| 9240951 | 1 pc. |



TECE insert chute II for cleaning tablets (TECEsquare II metal, TECEsquare II glass and TECEsolid)

For inserting toilet cleaning tablets into Uni and Base cisterns; in combination with TECEsquare II metal, TECEsquare II glass and TECEsolid flush plates; for installation from the front; suitable for flush-mounted installation in conjunction with the TECEsquare II glass and the TECEsolid spacing frame.

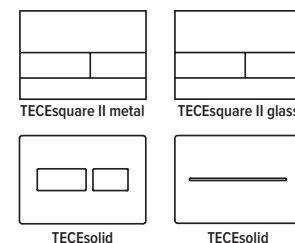
Use in brick-wall construction from 32 mm wall structure.

Maximum wall structure: 89 mm dry-wall construction, 108 mm brick-wall construction

Attention:

- The cleaning tablets used must not contain chlorine or any other oxidizing components.
- Not compatible with TECEflushpoint pneumatic remote release.

| | |
|-----------------|-------------|
| Item No. | DU 1 |
| 9240952 | 1 pc. |



TECE extension set for TECE toilet flush plates

For extending attachment and actuation rods by max. 12 cm.

| | |
|-----------------|-------------|
| Item No. | DU 1 |
| 9820030 | 1 pc. |



TECE extension set for flush-mounted installation of installation frame

4 adjustment bolts 18-33 mm incl. safety washer, for toilet, urinal and TECEfilo installation frame.

| | |
|-----------------|-------------|
| Item No. | DU 1 |
| 9820181 | 1 pc. |



TECE mounting material and actuation rods for flush plate installation (2003-2020)

Assembly set for the combination of old cisterns (2003-2020) with new TECE flush plates (from 2021), as well as old TECE flush plates (2003-2020) with new cisterns (from 2020).



| Item No. | DU 1 | DU 2 |
|----------|-------|--------|
| 9820692 | 1 pc. | 50 pc. |

TECE valve seat with adjustable flush flow throttle

Valve seat with adjustable flush flow throttle for the drain valve A 2 in Uni and Base cisterns.

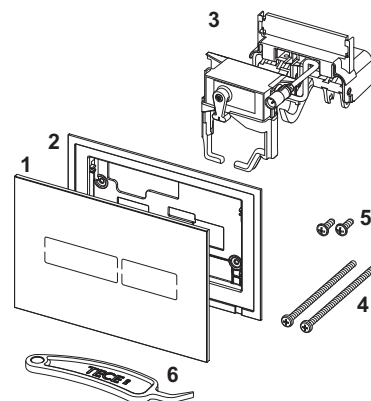


| Item No. | DU 1 |
|----------|-------|
| 9820670 | 1 pc. |

Toilet flush plate – Spare parts

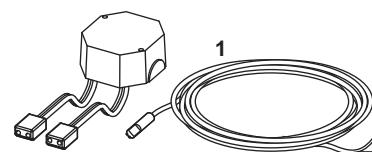
TECElux Mini flush plate with electronic touchless actuation

| Pos. | Item No. | Designation | DU 1 |
|------|----------|--|-------|
| 1 | 9820369 | Cover plate polished white glass | 1 pc. |
| | 9820370 | Cover plate polished black glass | 1 pc. |
| 2 | 9820397 | Support frame | 1 pc. |
| 3 | 9820493 | Actuation motor for TECE cistern | 1 pc. |
| 4 | 9820497 | “easy fit” attachment screws (from 2021) | 1 pc. |
| 5 | 9820263 | Fastening screws (2003-2020) | 1 pc. |
| 6 | 9820390 | Dismounting and programming key | 1 pc. |



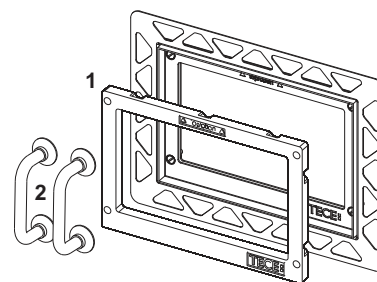
9810012 – TECE transformer for toilet electronics including connection cable

| Pos. | Item No. | Designation | DU 1 |
|------|----------|-----------------------------|-------|
| 1 | 9820352 | Connection cable (5 meters) | 1 pc. |



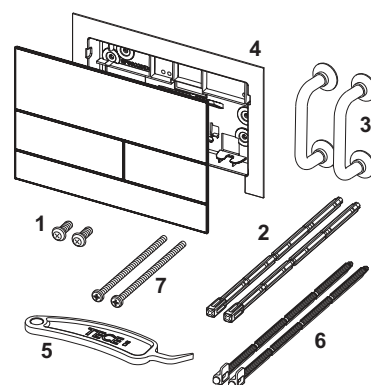
TECE toilet installation frame for flush-mounted installation

| Pos. | Item No. | Designation | DU 1 |
|------|----------|---|-------|
| 1 | 9820196 | Toilet support frame for flush-mounted installation | 1 pc. |
| 2 | 9820180 | Bow-type handles | 1 pc. |



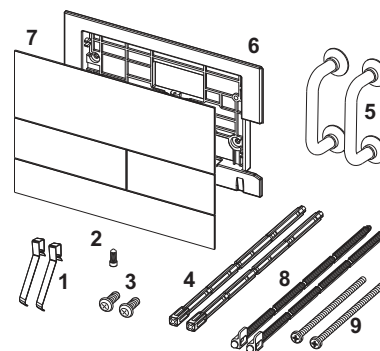
TECEsquare II metal toilet flush plate for dual-flush system, with coloured surface TECEsquare II metal toilet flush plate for dual-flush system

| Pos. | Item No. | Designation | DU 1 |
|------|----------|--|-------|
| 1 | 9820263 | Fastening screws (2003-2020) | 1 pc. |
| 2 | 9820022 | Actuation rods (2003-2020) | 1 pc. |
| 3 | 9820180 | Bow-type handles | 1 pc. |
| 4 | 9820347 | Support frame | 1 pc. |
| 5 | 9820390 | Dismounting and programming key | 1 pc. |
| 6 | 9820498 | “easy fit” actuation rods (from 2021) | 1 pc. |
| 7 | 9820497 | “easy fit” attachment screws (from 2021) | 1 pc. |



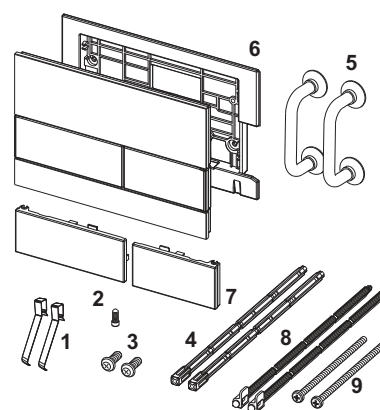
TECEsquare metal toilet flush plate for dual-flush system

| Pos. | Item No. | Designation | DU 1 |
|------|----------|--|-------|
| 1 | 9820253 | Push-button springs, set of two | 1 pc. |
| 2 | 9820249 | Safety bolt | 1 pc. |
| 3 | 9820263 | Fastening screws (2003-2020) | 1 pc. |
| 4 | 9820022 | Actuation rods (2003-2020) | 1 pc. |
| 5 | 9820180 | Bow-type handles | 1 pc. |
| 6 | 9820328 | Support frame | 1 pc. |
| 7 | 9820391 | TECEsquare metal brushed stainless steel | 1 pc. |
| | 9820392 | TECEsquare metal chrome gloss | 1 pc. |
| | 9820393 | TECEsquare metal polished white | 1 pc. |
| 8 | 9820498 | “easy fit” actuation rods (from 2021) | 1 pc. |
| 9 | 9820497 | “easy fit” attachment screws (from 2021) | 1 pc. |



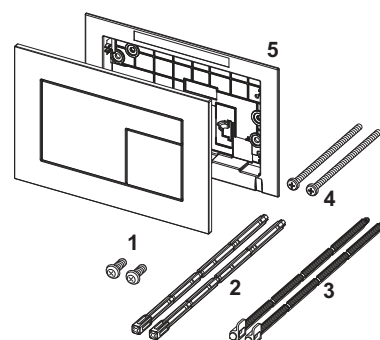
TECEsquare glass toilet flush plate for dual-flush system

| Pos. | Item No. | Designation | DU 1 |
|------|----------|--|-------|
| 1 | 9820253 | Push-button springs, set of two | 1 pc. |
| 2 | 9820249 | Safety bolt | 1 pc. |
| 3 | 9820263 | Fastening screws (2003-2020) | 1 pc. |
| 4 | 9820022 | Actuation rods (2003-2020) | 1 pc. |
| 5 | 9820180 | Bow-type handles | 1 pc. |
| 6 | 9820328 | Support frame | 1 pc. |
| 7 | 9820557 | Flush buttons polished white | 1 pc. |
| | 9820559 | Flush buttons, brushed stainless steel | 1 pc. |
| | 9820558 | Flush buttons, bright chrome | 1 pc. |
| | 9820560 | Flush buttons polished black | 1 pc. |
| 8 | 9820498 | “easy fit” actuation rods (from 2021) | 1 pc. |
| 9 | 9820497 | “easy fit” attachment screws (from 2021) | 1 pc. |



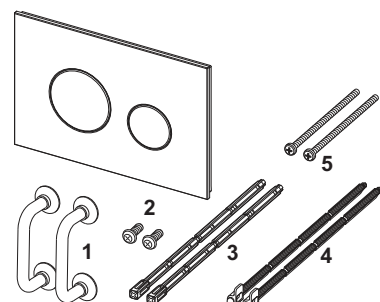
TECEvelvet toilet flush plate for dual-flush system

| Pos. | Item No. | Designation | DU 1 |
|------|----------|--|-------|
| 1 | 9820263 | Fastening screws (2003-2020) | 1 pc. |
| 2 | 9820022 | Actuation rods (2003-2020) | 1 pc. |
| 3 | 9820498 | “easy fit” actuation rods (from 2021) | 1 pc. |
| 4 | 9820497 | “easy fit” attachment screws (from 2021) | 1 pc. |
| 5 | 9820346 | Support frame | 1 pc. |



TECEloop toilet flush plate for dual-flush system

| Pos. | Item No. | Designation | DU 1 |
|------|----------|--|-------|
| 1 | 9820180 | Bow-type handles | 1 pc. |
| 2 | 9820263 | Fastening screws (2003-2020) | 1 pc. |
| 3 | 9820022 | Actuation rods (2003-2020) | 1 pc. |
| 4 | 9820498 | “easy fit” actuation rods (from 2021) | 1 pc. |
| 5 | 9820497 | “easy fit” attachment screws (from 2021) | 1 pc. |

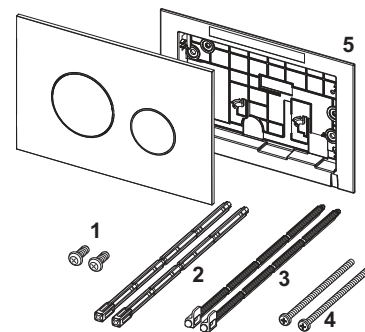


Toilet flush plate – Spare parts

Flush plates

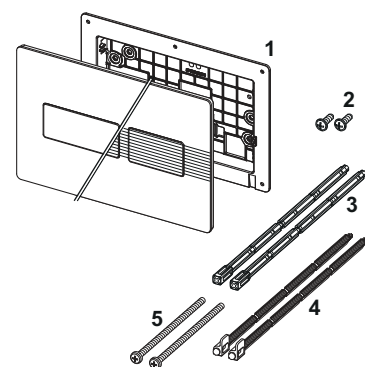
TECEloop plastic toilet flush plate for dual-flush system
 TECEloop plastic toilet flush plate for dual-flush system, metallic
 TECEloop plastic toilet flush plate for dual-flush system, "Kids"

| Pos. | Item No. | Designation | DU 1 |
|------|----------|--|-------|
| 1 | 9820263 | Fastening screws (2003-2020) | 1 pc. |
| 2 | 9820022 | Actuation rods (2003-2020) | 1 pc. |
| 3 | 9820498 | "easy fit" actuation rods (from 2021) | 1 pc. |
| 4 | 9820497 | "easy fit" attachment screws (from 2021) | 1 pc. |
| 5 | 9820346 | Support frame | 1 pc. |



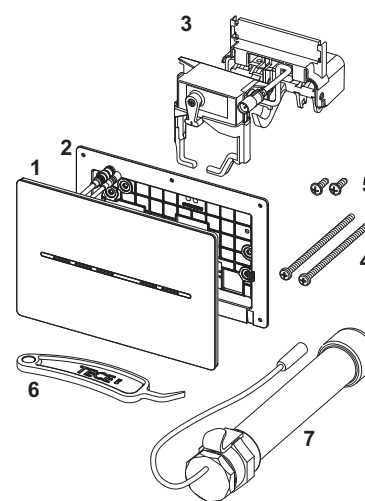
TECESolid toilet flush plate for dual-flush system
 TECESolid toilet flush plate for dual-flush system, with textured surface

| Pos. | Item No. | Designation | DU 1 |
|------|----------|--|-------|
| 1 | 9820426 | Attachment frame | 1 pc. |
| 2 | 9820263 | Fastening screws (2003-2020) | 1 pc. |
| 3 | 9820022 | Actuation rods (2003-2020) | 1 pc. |
| 4 | 9820498 | "easy fit" actuation rods (from 2021) | 1 pc. |
| 5 | 9820497 | "easy fit" attachment screws (from 2021) | 1 pc. |



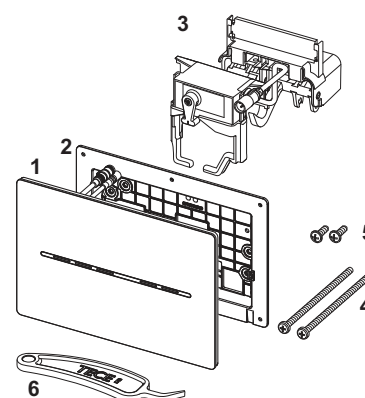
TECESolid toilet electronics with touchless actuation, 6 V battery

| Pos. | Item No. | Designation | DU 1 |
|------|----------|---|-------|
| 1 | 9820479 | Cover plate bright chrome | 1 pc. |
| | 9820480 | Cover plate bright white | 1 pc. |
| | 9820481 | Cover plate white matt | 1 pc. |
| | 9820478 | Cover plate brushed stainless steel (with anti-fingerprint) | 1 pc. |
| 2 | 9820426 | Attachment frame | 1 pc. |
| 3 | 9820493 | Actuation motor for TECE cistern | 1 pc. |
| 4 | 9820497 | "easy fit" attachment screws (from 2021) | 1 pc. |
| 5 | 9820263 | Fastening screws (2003-2020) | 1 pc. |
| 6 | 9820390 | Dismounting and programming key | 1 pc. |
| 7 | 9820202 | Battery housing, long | 1 pc. |



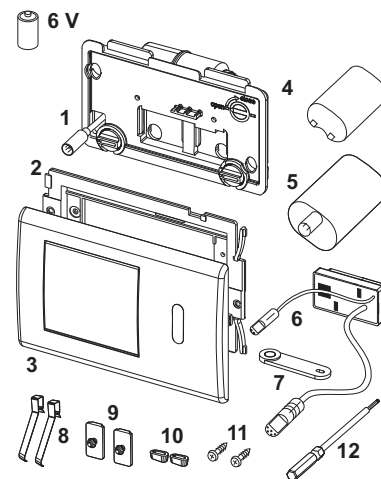
TECESolid toilet electronics with touchless actuation, 12 V mains

| Pos. | Item No. | Designation | DU 1 |
|------|----------|---|-------|
| 1 | 9820475 | Cover plate bright chrome | 1 pc. |
| | 9820476 | Cover plate bright white | 1 pc. |
| | 9820477 | Cover plate white matt | 1 pc. |
| | 9820474 | Cover plate brushed stainless steel (with anti-fingerprint) | 1 pc. |
| 2 | 9820426 | Attachment frame | 1 pc. |
| 3 | 9820493 | Actuation motor for TECE cistern | 1 pc. |
| 4 | 9820497 | "easy fit" attachment screws (from 2021) | 1 pc. |
| 5 | 9820263 | Fastening screws (2003-2020) | 1 pc. |
| 6 | 9820390 | Dismounting and programming key | 1 pc. |



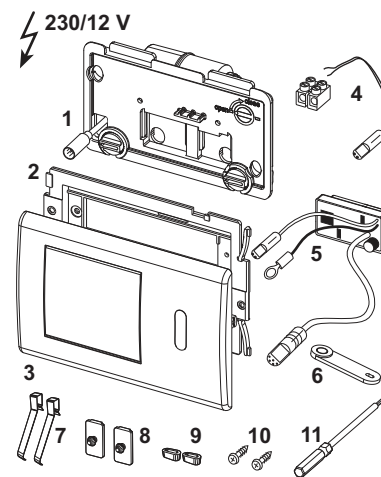
TECEplanus toilet electronics with IR sensor, 6 V battery

| Pos. | Item No. | Designation | DU 1 |
|------|----------|-------------------------------------|-------|
| 1 | 9820140 | Motor with splash guard | 1 pc. |
| 2 | 9820327 | Support frame | 1 pc. |
| 3 | 9820199 | Flush plate brushed stainless steel | 1 pc. |
| | 9820200 | Flush plate, bright chrome | 1 pc. |
| 4 | 9820092 | 6 V battery 2CR5 | 1 pc. |
| 5 | 9820195 | Battery housing | 1 pc. |
| 6 | 9820198 | IR sensor, 6 V | 1 pc. |
| 7 | 9820080 | Programming key | 1 pc. |
| 8 | 9820020 | Push-button springs, set of two | 1 pc. |
| 9 | 9820021 | Locking rubber | 1 pc. |
| 10 | 9820024 | Rubber buffer, set of two | 1 pc. |
| 11 | 9820263 | Fastening screws (2003-2020) | 1 pc. |
| 12 | 9820091 | Hollow hexagon wrench | 1 pc. |



TECEplanus toilet electronics with IR sensor, 12 V mains

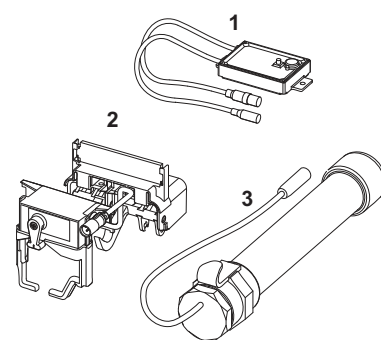
| Pos. | Item No. | Designation | DU 1 |
|------|----------|-------------------------------------|-------|
| 1 | 9820140 | Motor with splash guard | 1 pc. |
| 2 | 9820327 | Support frame | 1 pc. |
| 3 | 9820199 | Flush plate brushed stainless steel | 1 pc. |
| | 9820200 | Flush plate, bright chrome | 1 pc. |
| 4 | 9820094 | Mains connection adapter | 1 pc. |
| 5 | 9820201 | IR sensor, 12 V | 1 pc. |
| 6 | 9820080 | Programming key | 1 pc. |
| 7 | 9820020 | Push-button springs, set of two | 1 pc. |
| 8 | 9820021 | Locking rubber | 1 pc. |
| 9 | 9820024 | Rubber buffer, set of two | 1 pc. |
| 10 | 9820263 | Fastening screws (2003-2020) | 1 pc. |
| 11 | 9820091 | Hollow hexagon wrench | 1 pc. |



9240354 – TECEplanus toilet remote release for safety arm support, 6 V battery

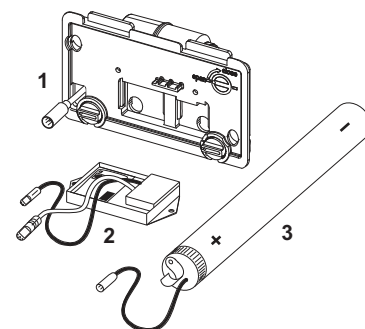
Valid from: September 2019

| Pos. | Item No. | Designation | DU 1 |
|------|----------|--|-------|
| 1 | 9820459 | Radio electronics battery and mains (from 09/2019) | 1 pc. |
| 2 | 9820493 | Actuation motor for TECE cistern | 1 pc. |
| 3 | 9820202 | Battery housing, long | 1 pc. |



Valid till: August 2019

| Pos. | Item No. | Designation | DU 1 |
|------|----------|---------------------------------------|-------|
| 1 | 9820140 | Motor with splash guard | 1 pc. |
| 2 | 9820203 | Radio electronics 6 V (until 08/2019) | 1 pc. |
| 3 | 9820202 | Battery housing, long | 1 pc. |

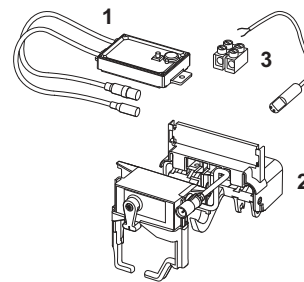


Toilet flush plate – Spare parts

9240355 – TECEplanus toilet remote release for safety arm support, 12 V mains

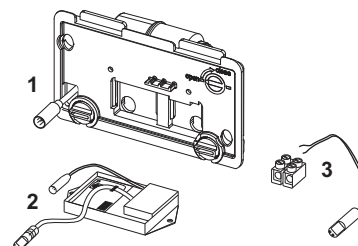
Valid from: September 2019

| Pos. | Item No. | Designation | DU 1 |
|------|----------|--|-------|
| 1 | 9820459 | Radio electronics battery and mains (from 09/2019) | 1 pc. |
| 2 | 9820493 | Actuation motor for TECE cistern | 1 pc. |
| 3 | 9820094 | Mains connection adapter | 1 pc. |



Valid till: August 2019

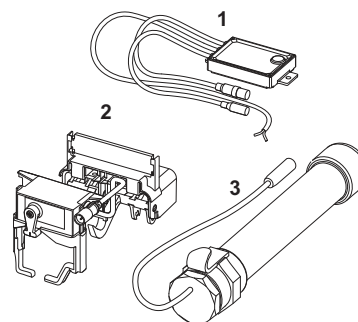
| Pos. | Item No. | Designation | DU 1 |
|------|----------|--|-------|
| 1 | 9820140 | Motor with splash guard | 1 pc. |
| 2 | 9820204 | Radio electronics 12 V (until 08/2019) | 1 pc. |
| 3 | 9820094 | Mains connection adapter | 1 pc. |



9240356 – TECEplanus toilet remote release for cable-connected electronic buttons, 6 V battery

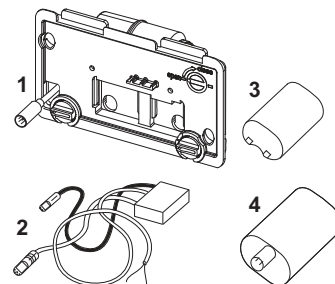
Valid from: January 2020

| Pos. | Item No. | Designation | DU 1 |
|------|----------|--|-------|
| 1 | 9820460 | Electronics, battery and mains (from 01/2020), cable-connected | 1 pc. |
| 2 | 9820493 | Actuation motor for TECE cistern | 1 pc. |
| 3 | 9820202 | Battery housing, long | 1 pc. |



Valid till: December 2019

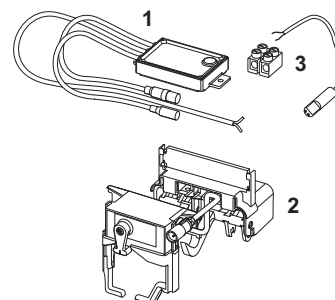
| Pos. | Item No. | Designation | DU 1 |
|------|----------|--|-------|
| 1 | 9820140 | Motor with splash guard | 1 pc. |
| 2 | 9820205 | Electronics 6 V, cable-connected (until 12/2019) | 1 pc. |
| 3 | 9820092 | 6 V battery 2CR5 | 1 pc. |
| 4 | 9820195 | Battery housing | 1 pc. |



9240357 – TECEplanus toilet remote release for cable-connected electronic buttons, 12 V mains

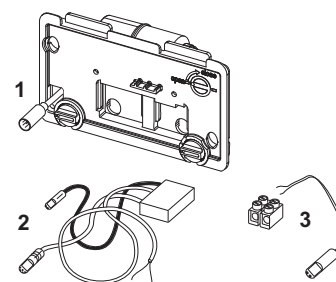
Valid from: January 2020

| Pos. | Item No. | Designation | DU 1 |
|------|----------|--|-------|
| 1 | 9820460 | Electronics, battery and mains (from 01/2020), cable-connected | 1 pc. |
| 2 | 9820493 | Actuation motor for TECE cistern | 1 pc. |
| 3 | 9820094 | Mains connection adapter | 1 pc. |



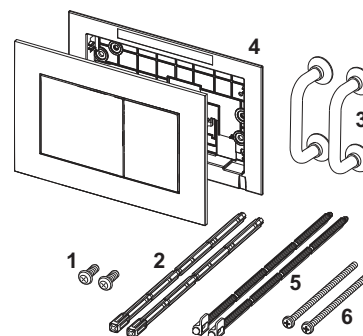
Valid till: December 2019

| Pos. | Item No. | Designation | DU 1 |
|------|----------|--|-------|
| 1 | 9820140 | Motor with splash guard | 1 pc. |
| 2 | 9820206 | Electronics 12 V cable-connected (until 12/2019) | 1 pc. |
| 3 | 9820094 | Mains connection adapter | 1 pc. |



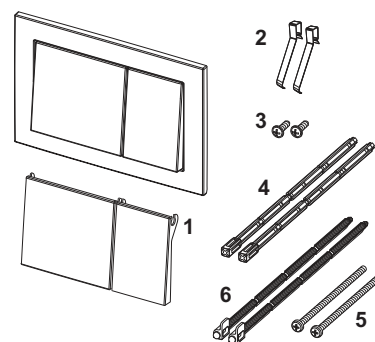
TECEnow toilet flush plate for dual-flush system
TECEnow toilet flush plate for dual-flush system, metallic

| Pos. | Item No. | Designation | DU 1 |
|------|----------|--|-------|
| 1 | 9820263 | Fastening screws (2003-2020) | 1 pc. |
| 2 | 9820022 | Actuation rods (2003-2020) | 1 pc. |
| 3 | 9820180 | Bow-type handles | 1 pc. |
| 4 | 9820346 | Support frame | 1 pc. |
| 5 | 9820498 | “easy fit” actuation rods (from 2021) | 1 pc. |
| 6 | 9820497 | “easy fit” attachment screws (from 2021) | 1 pc. |



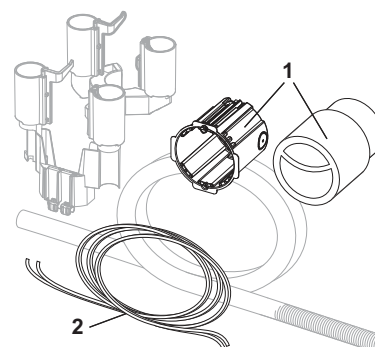
TECEbase toilet flush plate for dual-flush system

| Pos. | Item No. | Designation | DU 1 |
|------|----------|--|-------|
| 1 | 9820241 | Button set, white | 1 pc. |
| 2 | 9820020 | Push-button springs, set of two | 1 pc. |
| 3 | 9820263 | Fastening screws (2003-2020) | 1 pc. |
| 4 | 9820022 | Actuation rods (2003-2020) | 1 pc. |
| 5 | 9820497 | “easy fit” attachment screws (from 2021) | 1 pc. |
| 6 | 9820498 | “easy fit” actuation rods (from 2021) | 1 pc. |



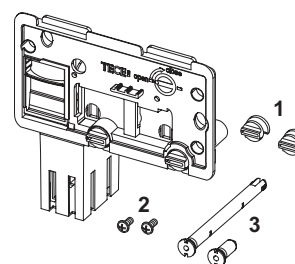
TECEflushpoint pneumatic remote release for cisterns with drain valve A 2, shell set
TECEflushpoint pneumatic remote release for cistern with drain valve A 5, shell set

| Pos. | Item No. | Designation | DU 1 |
|------|----------|---|-------|
| 1 | 9820614 | Wall socket for dry and brick-wall construction | 1 pc. |
| 2 | 9820615 | Pneumatic hose | 1 pc. |



9240950 – TECE insert chute for cleaning tablets

| Pos. | Item No. | Designation | DU 1 |
|------|----------|------------------------------|-------|
| 1 | 9820191 | Clamping screws set | 1 pc. |
| 2 | 9820263 | Fastening screws (2003-2020) | 1 pc. |
| 3 | 9820349 | Guide rods for insert chute | 1 pc. |

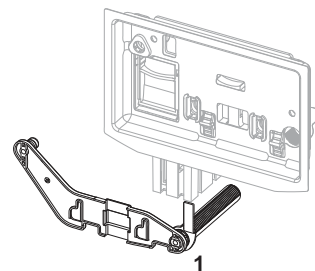


Flush plates

Toilet flush plate – Spare parts

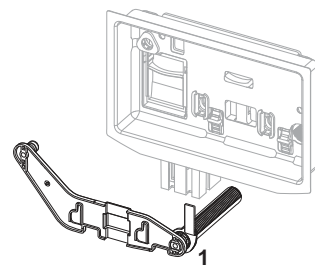
9240951 – TECE insert chute II for cleaning tablets (TECElux Mini, TECESquare glass, TECEvelvet, TECEloop and TECEnow)

| Pos. | Item No. | Designation | DU 1 |
|------|----------|--------------------------------|-------|
| 1 | 9820688 | Guide rods for insert chute II | 1 pc. |



9240952 – TECE insert chute II for cleaning tablets (TECESquare II metal, TECESquare II glass and TECEsolid)

| Pos. | Item No. | Designation | DU 1 |
|------|----------|--------------------------------|-------|
| 1 | 9820693 | Guide rods for insert chute II | 1 pc. |



Sanitary Systems

URINAL FLUSH PLATES

Flush plates

Flush plates





| | Page |
|--|------|
| TECEfilo electronic flushing systems | 98 |
| TECEsquare | 102 |
| TECEloop | 104 |
| TECESolid | 106 |
| TECEplanus electronic flushing systems | 107 |
| TECEnow | 109 |
| Accessories | 110 |
| Spare parts | 111 |

Urinal flush plate – TECEfilo electronic flushing systems



Valve unit (1.) and Sensor cover (2.)

TECEfilo urinal electronics

The TECEfilo urinal electronics can be used for a power connection 230/12 V mains or 7.2 V battery.

Caution, please order separately:

1. TECEfilo valve unit (230/12 V mains or 7.2 V battery)
2. TECEfilo sensor cover

TECEfilo valve unit 230/12 V mains

Solenoid valve 230/12 V mains with dirt filter; can be used from minimum flow pressure 0.5 bar. For combination with the TECEfilo sensor cover and the flush valve U 2.



| Item No. | DU 1 | DU 2 |
|----------|-------|--------|
| 9242092 | 1 pc. | 10 pc. |

TECEfilo valve unit 7.2 V battery

Solenoid valve 7.2 V battery with dirt filter; can be used from minimum flow pressure 0.5 bar. For combination with the TECEfilo sensor cover and the flush valve U 2, including battery 7.2 V (2 x R6 - AA (3.6 V)).



| Item No. | DU 1 | DU 2 |
|----------|-------|--------|
| 9242091 | 1 pc. | 10 pc. |

TECEfilo sensor cover stainless steel

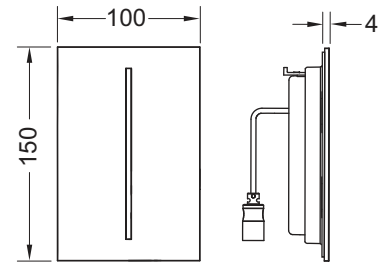
Fine assembly set for touch-free infrared flush device for combination with the TECEfilo valve unit, suitable for TECE urinal flush valve housing U 2; can be screwed on concealed.

Flush time, water-saving pause function, function for lid urinals, cleaning mode, pre-flush and hygiene interval flush can be set by app.

Consisting of:

- Flat screwable cover panel with sensor field
- Mounting material

Dimensions (W x H x D): 100 x 150 x 4 mm



Caution:

Please order valve unit separately.

| Colour | Exhibition samples | Item No. | DU 1 | DU 2 |
|---|--------------------|----------|-------|--------|
| Brushed stainless steel (with anti-fingerprint) | Yes | 9242068 | 1 pc. | 15 pc. |

Information on exhibits is available in the section "Exhibition samples".

Urinal flush plate – TECEfilo electronic flushing systems

TECEfilo sensor cover glass

Fine assembly set for touch-free infrared flush device for combination with the TECEfilo valve unit, suitable for TECE urinal flush valve housing U 2; can be screwed on concealed.

Flush time, water-saving pause function, function for lid urinals, cleaning mode, preflush and hygiene interval flush can be set via app.

Consisting of:

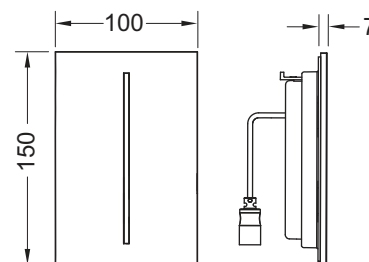
- Flat screw-on cover panel with sensor field
- Mounting material

Suitable for flush-mounted installation in conjunction with the TECEfilo installation frame.

Dimensions (W x H x D): 100 x 150 x 7 mm

Caution:

- Please order valve unit separately.
- Installation frame not included in the scope of delivery.



| Colour | Exhibition samples | Item No. | DU 1 | DU 2 |
|----------------------|--------------------|----------|-------|--------|
| Polished white glass | Yes | 9242064 | 1 pc. | 15 pc. |
| Polished black glass | — | 9242065 | 1 pc. | 15 pc. |

Information on exhibits is available in the section "Exhibition samples".

TECEfilo-Velvet sensor cover

Fine assembly set for touch-free infrared flush device for combination with the TECEfilo valve unit, suitable for TECE urinal flush valve housing U 2; with FENIX NTM surfaces (FENIX® by Arpa Industriale); can be screwed on concealed.

Flush time, water-saving pause function, function for lid urinals, cleaning mode, pre-flush and hygiene interval flush can be set by app.

Consisting of:

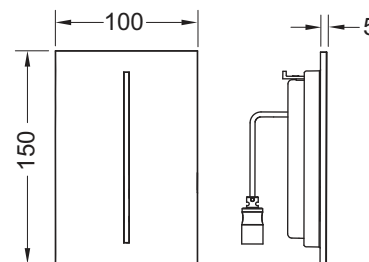
- Flat screwable cover panel with sensor field
- Mounting material

Suitable for flush-mounted installation in conjunction with the TECEfilo installation frame.

Dimensions (W x H x D): 100 x 150 x 5 mm

Caution:

- Please order valve unit separately.
- Installation frame not included in the scope of delivery.



| Colour | Matching to | Exhibition samples | Item No. | DU 1 | DU 2 |
|-------------|---------------------------|--------------------|----------|-------|--------|
| White | FENIX NTM® Bianco Kos | — | 9242081 | 1 pc. | 15 pc. |
| Black | FENIX NTM® Nero Ingo | — | 9242082 | 1 pc. | 15 pc. |
| Beige brown | FENIX NTM® Castoro Ottawa | Yes | 9242083 | 1 pc. | 15 pc. |
| Grey beige | FENIX NTM® Beige Arizona | — | 9242084 | 1 pc. | 15 pc. |
| Anthracite | FENIX NTM® Grigio Londra | Yes | 9242085 | 1 pc. | 15 pc. |
| Stone grey | FENIX NTM® Grigio Efeso | — | 9242086 | 1 pc. | 15 pc. |

Information on exhibits is available in the section "Exhibition samples".

Urinal flush plate – TECEfilo electronic flushing systems

TECEfilo-Solid sensor cover

Fine assembly set for touch-free infrared flush device for combination with the TECEfilo valve unit, suitable for TECE urinal flush valve housing U 2; can be screwed on concealed.

Flush time, water-saving pause function, function for lid urinals, cleaning mode, pre-flush and hygiene interval flush can be set by app.

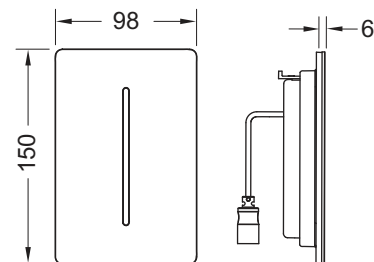
Consisting of:

- Flat screwable cover panel with sensor field
- Mounting material

Dimensions (W x H x D): 98 x 150 x 6 mm

Caution:

Please order valve unit separately.



| Colour | Exhibition samples | Item No. | DU 1 | DU 2 |
|---|--------------------|----------|-------|--------|
| Polished white | — | 9242072 | 1 pc. | 15 pc. |
| Matt white | — | 9242073 | 1 pc. | 15 pc. |
| Brushed stainless steel | — | 9242074 | 1 pc. | 15 pc. |
| Brushed stainless steel (with anti-fingerprint) | Yes | 9242075 | 1 pc. | 15 pc. |
| Bright chrome | — | 9242076 | 1 pc. | 15 pc. |
| Matt black | — | 9242077 | 1 pc. | 15 pc. |

Information on exhibits is available in the section "Exhibition samples".

TECEfilo sensor cover plastic

Fine assembly set for touch-free infrared flush device for combination with the TECEfilo valve unit, suitable for TECE urinal flush valve housing U 2; can be screwed on concealed.

Flush time, water-saving pause function, function for lid urinals, cleaning mode, preflush and hygiene interval flush can be set via app.

Consisting of:

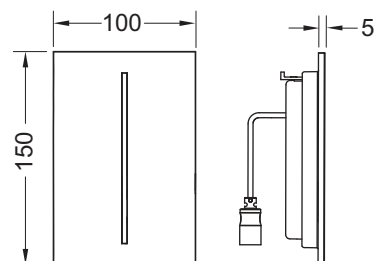
- Flat screw-on cover panel with sensor field
- Mounting material

Suitable for flush-mounted installation in conjunction with the TECEfilo installation frame.

Dimensions (W x H x D): 100 x 150 x 5 mm

Caution:

- Please order valve unit separately.
- Installation frame not included in the scope of delivery.



| Colour | Exhibition samples | Item No. | DU 1 | DU 2 |
|----------------|--------------------|----------|-------|--------|
| Polished white | Yes | 9242066 | 1 pc. | 15 pc. |
| Bright chrome | Yes | 9242067 | 1 pc. | 15 pc. |

Information on exhibits is available in the section "Exhibition samples".

Urinal flush plate – TECEfilo electronic flushing systems

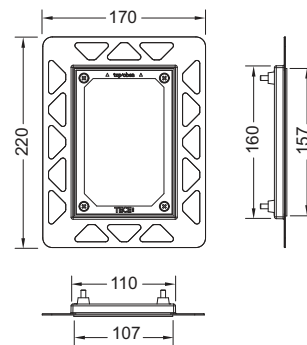
TECEfilo installation frame for flush-mounted installation

Installation set for flush-mounted assembly of TECEfilo glass, TECEfilo plastic and TECEfilo-Velvet urinal electronics in a dry-wall. Depth-adjustable tile frame for wall coverings from 5-18 mm (from 18-33 mm with adjustment bolt - Item No. 9820181). Including disassembly tool for cover panel.

Required for shell installation.

Caution:

For dry-wall installation only. To obtain a clean edge, please use a water jet cutter to prepare the tile cut-out.



| Colour | Item No. | DU 1 |
|---------------|----------|-------|
| White | 9242041 | 1 pc. |
| Black | 9242042 | 1 pc. |
| Bright chrome | 9242040 | 1 pc. |

Urinal flush plate – TECESquare

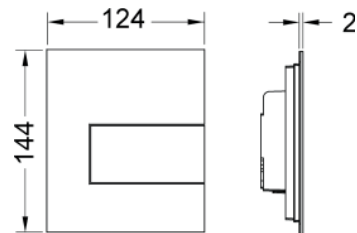
TECESquare urinal flush plate metal including cartridge

Fine assembly set for TECE flush valve housing U 1;
 Flush valve categories 1.5 and 4 (EN 12541);
 Adjustable flush volume 1, 2 or 4 litres;
 Usable from 0.5 bar minimum flow pressure.

Consisting of:

- Flush valve cartridge
- Extremely flat metal flush plate, installation height 2 mm
- Actuation rod and mounting materials

Dimensions (W x H x D): 124 x 144 x 2 mm



Installation only in combination with the urinal installation frame (Item No. 9242647), please order separately!

| Colour | Exhibition samples | Item No. | DU 1 | DU 2 |
|---|--------------------|----------|-------|--------|
| Brushed stainless steel (with anti-fingerprint) | Yes | 9242810 | 1 pc. | 10 pc. |
| Bright chrome | Yes | 9242811 | 1 pc. | 10 pc. |
| Polished white | Yes | 9242812 | 1 pc. | 10 pc. |
| Matt white | — | 9242814 | 1 pc. | 10 pc. |
| Matt black | Yes | 9242813 | 1 pc. | 10 pc. |

Information on exhibits is available in the section "Exhibition samples".

TECESquare urinal flush plate glass including cartridge

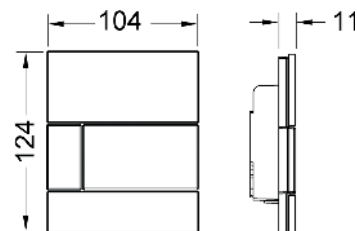
Fine assembly set for TECE flush valve housing U 1;
 Flush valve categories 1.5 and 4 (EN 12541);
 Adjustable flush volume 1, 2 or 4 litres;
 Usable from 0.5 bar minimum flow pressure.

Consisting of:

- Flush valve cartridge with automatic jet cleaning needle
- Flat glass flush plate
- Actuation rod and mounting material

Suitable for flush-mounted installation in combination with urinal installation frame.

Dimensions (W x H x D): 104 x 124 x 11 mm



Urinal installation frame for flush-mounted installation (Item No. 9242647) not included in the scope of delivery.

| Colour | Exhibition samples | Item No. | DU 1 | DU 2 |
|--|--------------------|----------|-------|--------|
| Polished white glass, polished white button | Yes | 9242800 | 1 pc. | 15 pc. |
| Polished white glass, brushed stainless steel button (with anti-fingerprint) | — | 9242801 | 1 pc. | 15 pc. |
| Polished white glass, bright chrome button | Yes | 9242802 | 1 pc. | 15 pc. |
| Polished black glass, brushed stainless steel button (with anti-fingerprint) | Yes | 9242806 | 1 pc. | 15 pc. |
| Polished black glass, bright chrome button | — | 9242807 | 1 pc. | 15 pc. |
| Polished black glass, polished black button | — | 9242809 | 1 pc. | 15 pc. |

Information on exhibits is available in the section "Exhibition samples".

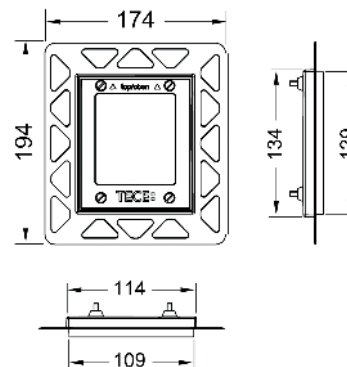
TECE urinal installation frame for flush-mounted installation

Installation kit for flush-mounted installation of the urinal flush plate TECEnow/TECEloop/TECESquare glass and for the installation of TECESquare metal in a dry-wall construction. Depth-adjustable tile frame for wall coverings from 5-18 mm (from 18-33 mm with adjustment bolt 9820181). Incl. disassembly tool for flush plate.

Required during shell assembly.

Caution: For dry-wall installation only!

To obtain a clean edge, please use a water jet cutter to prepare the tile cut-out.



| Colour | Exhibition samples | Item No. | DU 1 | DU 2 |
|---------------|--------------------|----------|-------|--------|
| White | — | 9242646 | 1 pc. | 40 pc. |
| Black | — | 9242647 | 1 pc. | 40 pc. |
| Bright chrome | Yes | 9242649 | 1 pc. | 40 pc. |
| Gold plated | — | 9242648 | 1 pc. | 40 pc. |

Information on exhibits is available in the section "Exhibition samples".

Urinal flush plate – TECEloop

TECEloop urinal flush plate glass including cartridge

Fine assembly set for TECE flush valve housing U 1;
flush valve category 1.5 and 4 (EN 12541);
adjustable flush volume 1, 2 or 4 litres;
usable from 0.5 bar minimum flow pressure.

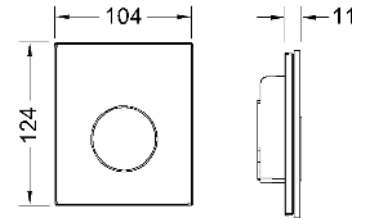
Consisting of:

- Flush valve cartridge
- Flat glass flush plate
- Actuation rod and mounting materials

Suitable for flush-mounted installation in combination with the urinal installation frame.

Dimensions (W x H x D): 104 x 124 x 11 mm

Urinal installation frame for flush-mounted installation (Item No. 9242649) not included in the scope of delivery.



| Colour | Exhibition samples | Item No. | DU 1 | DU 2 |
|---|--------------------|----------|-------|--------|
| Polished white glass, polished white button | Yes | 9242650 | 1 pc. | 15 pc. |
| Polished white glass, matt chrome button | Yes | 9242659 | 1 pc. | 15 pc. |
| Polished white glass, bright chrome button | Yes | 9242660 | 1 pc. | 15 pc. |
| Polished white glass, brushed stainless steel look button (with anti-fingerprint) | — | 9242661 | 1 pc. | 15 pc. |
| Polished black glass, polished white button | Yes | 9242654 | 1 pc. | 15 pc. |
| Polished black glass, matt chrome button | Yes | 9242655 | 1 pc. | 15 pc. |
| Polished black glass, bright chrome button | Yes | 9242656 | 1 pc. | 15 pc. |
| Polished black glass, brushed stainless steel look button (with anti-fingerprint) | — | 9242663 | 1 pc. | 15 pc. |
| Polished black glass, polished black button | Yes | 9242657 | 1 pc. | 15 pc. |

Information on exhibits is available in the section "Exhibition samples".

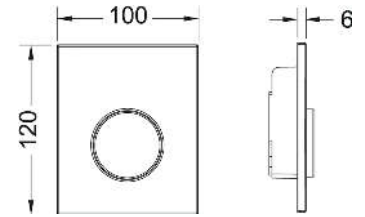
TECEloop urinal flush plate plastic including cartridge

Fine assembly set for TECE flush valve housing U 1;
 Flush valve categories 1.5 and 4 (EN 12541);
 Adjustable flush volume 1, 2 or 4 litres;
 Usable from 0.5 bar minimum flow pressure.

Consisting of:

- Flush valve cartridge
- Extremely flat plastic flush plate
- Actuation rod and mounting materials

Dimensions (W x H x D): 100 x 120 x 6 mm



| Colour | Item No. | DU 1 | DU 2 |
|--------------------------------------|----------|-------|--------|
| Polished white | 9242600 | 1 pc. | 15 pc. |
| Polished white, bright chrome button | 9242627 | 1 pc. | 15 pc. |
| Matt chrome | 9242625 | 1 pc. | 15 pc. |
| Bright chrome | 9242626 | 1 pc. | 15 pc. |

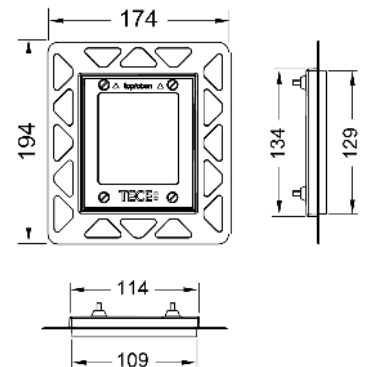
TECE urinal installation frame for flush-mounted installation

Installation kit for flush-mounted installation of the urinal flush plate TECEnow/TECEloop/TECESquare glass and for the installation of TECESquare metal in a dry-wall construction. Depth-adjustable tile frame for wall coverings from 5-18 mm (from 18-33 mm with adjustment bolt 9820181). Incl. disassembly tool for flush plate.

Required during shell assembly.

Caution: For dry-wall installation only!

To obtain a clean edge, please use a water jet cutter to prepare the tile cut-out.



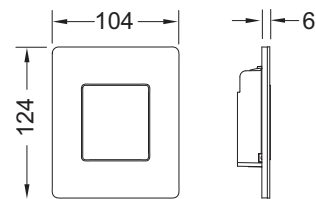
| Colour | Exhibition samples | Item No. | DU 1 | DU 2 |
|---------------|--------------------|----------|-------|--------|
| White | — | 9242646 | 1 pc. | 40 pc. |
| Black | — | 9242647 | 1 pc. | 40 pc. |
| Bright chrome | Yes | 9242649 | 1 pc. | 40 pc. |
| Gold plated | — | 9242648 | 1 pc. | 40 pc. |

Information on exhibits is available in the section "Exhibition samples".

Urinal flush plate – TECEsolid

TECEsolid urinal flush plate including cartridge

Fine assembly set for TECE flush valve housing U 1; flush valve category 1.5 and 4 (EN 12541); adjustable flush volume 1, 2 or 4 litres; usable from 0.5 bar minimum flow pressure; flush plate that screws in covertly.



Consisting of:

- Flush valve cartridge
- Especially flat flush plate made of metal, installation height 6 mm
- Actuation rod and mounting materials

Dimensions (W x H x D): 104 x 124 x 6 mm

| Colour | Exhibition samples | Item No. | DU 1 | DU 2 |
|---|--------------------|----------|-------|--------|
| Polished white | — | 9242432 | 1 pc. | 15 pc. |
| Matt white | — | 9242433 | 1 pc. | 15 pc. |
| Brushed stainless steel | — | 9242430 | 1 pc. | 15 pc. |
| Brushed stainless steel (with anti-fingerprint) | Yes | 9242434 | 1 pc. | 15 pc. |
| Bright chrome | — | 9242431 | 1 pc. | 15 pc. |
| Matt black | — | 9242435 | 1 pc. | 15 pc. |

Information on exhibits is available in the section "Exhibition samples".

TECEsolid concealed screws

Concealed screw connection for anti-theft protection of TECEsolid flush plate, includes assembly tool.

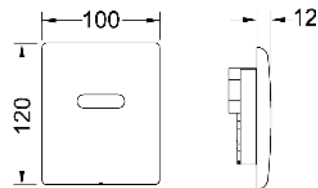


| Item No. | DU 1 |
|----------|-------|
| 9240442 | 1 pc. |

Urinal flush plate – TECEplanus electronic flushing systems

TECEplanus urinal electronics 6 V battery

Fine assembly set for contactless infrared flush device, suitable for TECE urinal flush valve housing U 1; usable from 0.5 bar minimum flow pressure; flush time, water-saving pause function, cleaning mode, pre-flush and hygiene flush can be set.



Consisting of:

- Magnetic valve with dirt filter
- Battery 6 V (2CR5)
- Screw-down metal cover with sensor field
- Attachment hardware
- Programming key

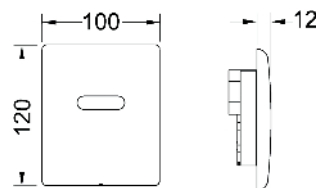
Dimensions (W x H x D): 100 x 120 x 12 mm

| Colour | Exhibition samples | Item No. | DU 1 | DU 2 |
|-------------------------|--------------------|----------|-------|--------|
| Silk matt white | Yes | 9242354 | 1 pc. | 10 pc. |
| Brushed stainless steel | Yes | 9242350 | 1 pc. | 10 pc. |
| Bright chrome | Yes | 9242351 | 1 pc. | 10 pc. |
| Polished white | — | 9242356 | 1 pc. | 10 pc. |

Information on exhibits is available in the section "Exhibition samples".

TECEplanus urinal electronics, 12 V mains

Fine assembly set for contactless infrared flush system. Suitable for TECE urinal flush valve housing U 1. Usable from 0.5 bar minimum flow pressure. Flush time, water-saving stop function, cleaning mode, pre-flush and hygiene flush can be set.



Consisting of:

- Solenoid valve with large dirt filter
- Screw-down metal cover with sensor field
- Mounting material
- Programming key
- Mains operated via external 230/12 V transformer (not included in scope of delivery)

Dimensions (W x H x D): 100 x 120 x 12 mm

Please order separately:

- TECEplanus 230/12 V transformer – Item No. 9810003
- TECEplanus 12 V connection cable – Item No. 9810004

| Colour | Exhibition samples | Item No. | DU 1 | DU 2 |
|-------------------------|--------------------|----------|-------|--------|
| Silk matt white | Yes | 9242355 | 1 pc. | 10 pc. |
| Brushed stainless steel | Yes | 9242352 | 1 pc. | 10 pc. |
| Bright chrome | Yes | 9242353 | 1 pc. | 10 pc. |
| Polished white | — | 9242357 | 1 pc. | 10 pc. |

Information on exhibits is available in the section "Exhibition samples".

Urinal flush plate – TECEplanus electronic flushing systems

TECEplanus transformer for 230/12 V mains electronics, toilet/urinal

For installation in standard flush-mounted boxes with \varnothing 60 mm, up to 5 urinal electronics or 1 toilet electronics can be connected.

Electrical connection: 230 V

Output: 12 V DC



| | |
|-----------------|-------------|
| Item No. | DU 1 |
| 9810003 | 1 pc. |

TECEplanus connection cable for 12 V mains electronics, toilet/urinal

Twin-core connection cable, length 10 m.



| | |
|-----------------|-------------|
| Item No. | DU 1 |
| 9810004 | 1 pc. |

TECEnow urinal flush plate including cartridge

Fine assembly set for TECE flush valve housing U 1; flush valve category 1.5 and 4 (EN 12541); adjustable flush volume 1, 2 or 4 litres; usable from 0.5 bar minimum flow pressure.

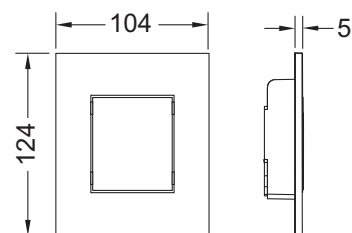
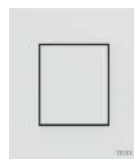
Consisting of:

- Flush valve cartridge
- Extra-flat flush plate made of plastic, installation height 5 mm
- Actuation rod and mounting materials

Suitable for flush-mounted installation in combination with the urinal installation frame.

Dimensions (W x H x D): 104 x 124 x 5 mm

Urinal installation frame for flush-mounted installation (Item No. 9242649) not included in the scope of delivery.



| Colour | Exhibition samples | Item No. | DU 1 | DU 2 |
|----------------------|--------------------|----------|-------|--------|
| Polished white | Yes | 9242400 | 1 pc. | 15 pc. |
| Matt white | — | 9242407 | 1 pc. | 15 pc. |
| White, antibacterial | — | 9242405 | 1 pc. | 15 pc. |
| Bright chrome | Yes | 9242401 | 1 pc. | 15 pc. |
| Matt chrome | Yes | 9242402 | 1 pc. | 15 pc. |
| Polished black | — | 9242403 | 1 pc. | 15 pc. |
| Matt black | — | 9242406 | 1 pc. | 15 pc. |

Information on exhibits is available in the section "Exhibition samples".

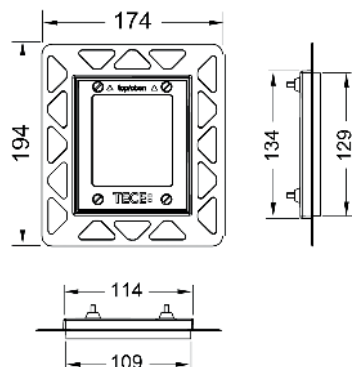
TECE urinal installation frame for flush-mounted installation

Installation kit for flush-mounted installation of the urinal flush plate TECEnow/TECEloop/TECESquare glass and for the installation of TECESquare metal in a dry-wall construction. Depth-adjustable tile frame for wall coverings from 5-18 mm (from 18-33 mm with adjustment bolt 9820181). Incl. disassembly tool for flush plate.

Required during shell assembly.

Caution: For dry-wall installation only!

To obtain a clean edge, please use a water jet cutter to prepare the tile cut-out.



| Colour | Exhibition samples | Item No. | DU 1 | DU 2 |
|---------------|--------------------|----------|-------|--------|
| White | — | 9242646 | 1 pc. | 40 pc. |
| Black | — | 9242647 | 1 pc. | 40 pc. |
| Bright chrome | Yes | 9242649 | 1 pc. | 40 pc. |
| Gold plated | — | 9242648 | 1 pc. | 40 pc. |

Information on exhibits is available in the section "Exhibition samples".

Urinal flush plate – Accessories

TECE extension set for TECE urinal flush plates

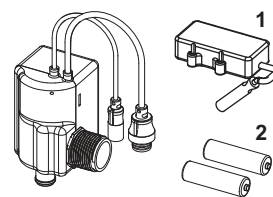
For extending attachment and actuation rods by max. 13 cm. For flush valve housing U 1.



| | |
|----------|-------|
| Item No. | DU 1 |
| 9820095 | 1 pc. |

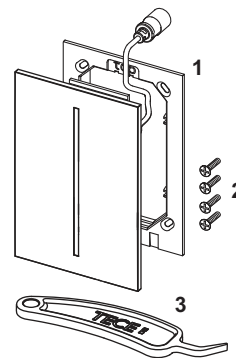
TECEfilo valve unit 7.2 V battery

| Pos. | Item No. | Designation | DU 1 |
|------|----------|---------------------------------|-------|
| 1 | 9820546 | Battery holder | 1 pc. |
| 2 | 9820545 | Batteries (2 x R6 - AA (3.6 V)) | 1 pc. |



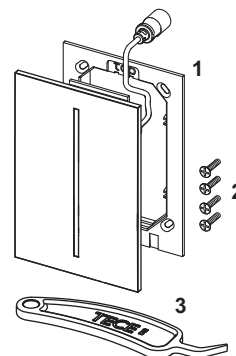
TECEfilo sensor cover stainless steel TECEfilo sensor cover glass

| Pos. | Item No. | Designation | DU 1 |
|------|----------|---|-------|
| 1 | 9820645 | Mounting frame TECEfilo glass and metal | 1 pc. |
| 2 | 9820554 | Fastening screws | 1 pc. |
| 3 | 9820390 | Dismounting and programming key | 1 pc. |



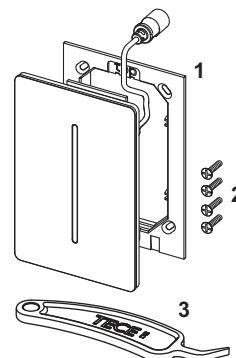
TECEfilo-Velvet sensor cover

| Pos. | Item No. | Designation | DU 1 |
|------|----------|---------------------------------|-------|
| 1 | 9820646 | Mounting frame TECEfilo plastic | 1 pc. |
| 2 | 9820554 | Fastening screws | 1 pc. |
| 3 | 9820390 | Dismounting and programming key | 1 pc. |



TECEfilo-Solid sensor cover

| Pos. | Item No. | Designation | DU 1 |
|------|----------|-------------------------------------|-------|
| 1 | 9820647 | Mounting frame TECEfilo-Solid grey | 1 pc. |
| | 9820648 | Mounting frame TECEfilo-Solid black | 1 pc. |
| | 9820649 | Mounting frame TECEfilo-Solid white | 1 pc. |
| 2 | 9820554 | Fastening screws | 1 pc. |
| 3 | 9820390 | Dismounting and programming key | 1 pc. |

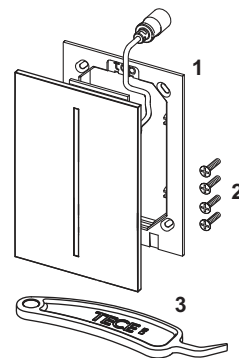


Urinal flush plate – Spare parts

Flush plates

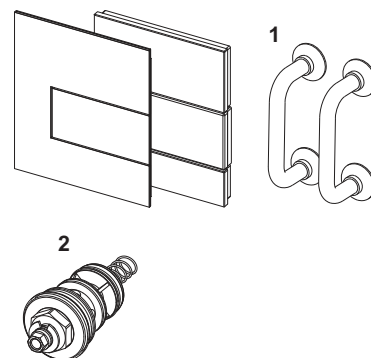
TECEfilo sensor cover plastic

| Pos. | Item No. | Designation | DU 1 |
|------|----------|---------------------------------|-------|
| 1 | 9820646 | Mounting frame TECEfilo plastic | 1 pc. |
| 2 | 9820554 | Fastening screws | 1 pc. |
| 3 | 9820390 | Dismounting and programming key | 1 pc. |



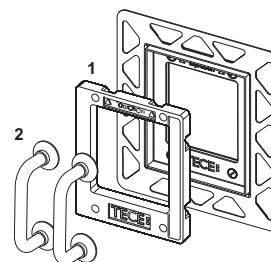
TECESquare urinal flush plate metal including cartridge TECESquare urinal flush plate glass including cartridge

| Pos. | Item No. | Designation | DU 1 |
|------|----------|---------------------------|-------|
| 1 | 9820180 | Bow-type handles | 1 pc. |
| 2 | 9820031 | Flush valve cartridge U 1 | 1 pc. |



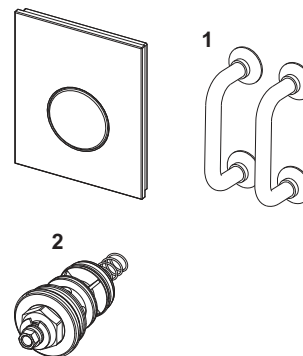
TECE urinal installation frame for flush-mounted installation

| Pos. | Item No. | Designation | DU 1 |
|------|----------|---|-------|
| 1 | 9820197 | Urinal support frame for flush-mounted installation | 1 pc. |
| 2 | 9820180 | Bow-type handles | 1 pc. |



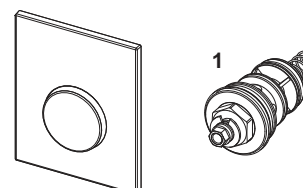
TECEloop urinal flush plate glass including cartridge

| Pos. | Item No. | Designation | DU 1 |
|------|----------|---------------------------|-------|
| 1 | 9820180 | Bow-type handles | 1 pc. |
| 2 | 9820031 | Flush valve cartridge U 1 | 1 pc. |



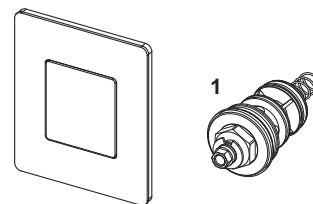
TECEloop urinal flush plate plastic including cartridge

| Pos. | Item No. | Designation | DU 1 |
|------|----------|---------------------------|-------|
| 1 | 9820031 | Flush valve cartridge U 1 | 1 pc. |



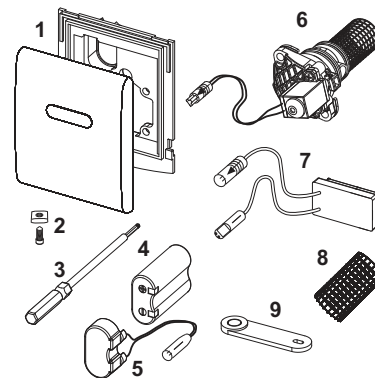
TECEsolid urinal flush plate including cartridge

| Pos. | Item No. | Designation | DU 1 |
|------|----------|---------------------------|-------|
| 1 | 9820031 | Flush valve cartridge U 1 | 1 pc. |



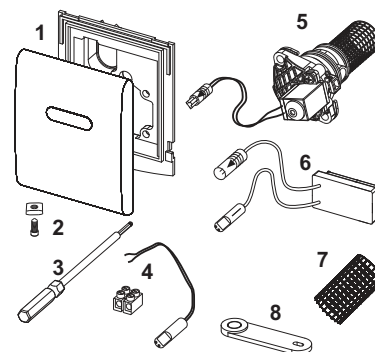
TECEplanus urinal electronics 6 V battery

| Pos. | Item No. | Designation | DU 1 |
|------|----------|--|-------|
| 1 | 9820085 | Cover plate, brushed stainless steel | 1 pc. |
| | 9820086 | Cover plate, bright chrome | 1 pc. |
| | 9820098 | Cover plate, white silk matt | 1 pc. |
| 2 | 9820097 | Fastening screw | 1 pc. |
| 3 | 9820091 | Hollow hexagon wrench | 1 pc. |
| 4 | 9820092 | 6 V battery 2CR5 | 1 pc. |
| 5 | 9820093 | Battery connection adapter | 1 pc. |
| 6 | 9820089 | Urinal cartridge electronic for flushing valve U 1 | 1 pc. |
| 7 | 9820087 | Infra-red sensor 6 V battery | 1 pc. |
| 8 | 9820090 | Grate bar | 1 pc. |
| 9 | 9820080 | Programming key | 1 pc. |



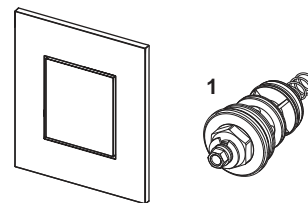
TECEplanus urinal electronics, 12 V mains

| Pos. | Item No. | Designation | DU 1 |
|------|----------|--|-------|
| 1 | 9820085 | Cover plate, brushed stainless steel | 1 pc. |
| | 9820086 | Cover plate, bright chrome | 1 pc. |
| | 9820098 | Cover plate, white silk matt | 1 pc. |
| 2 | 9820097 | Fastening screw | 1 pc. |
| 3 | 9820091 | Hollow hexagon wrench | 1 pc. |
| 4 | 9820094 | Mains connection adapter | 1 pc. |
| 5 | 9820089 | Urinal cartridge electronic for flushing valve U 1 | 1 pc. |
| 6 | 9820088 | Infra-red sensor 12 V mains | 1 pc. |
| 7 | 9820090 | Grate bar | 1 pc. |
| 8 | 9820080 | Programming key | 1 pc. |



TECEnow urinal flush plate including cartridge

| Pos. | Item No. | Designation | DU 1 |
|------|----------|---------------------------|-------|
| 1 | 9820031 | Flush valve cartridge U 1 | 1 pc. |



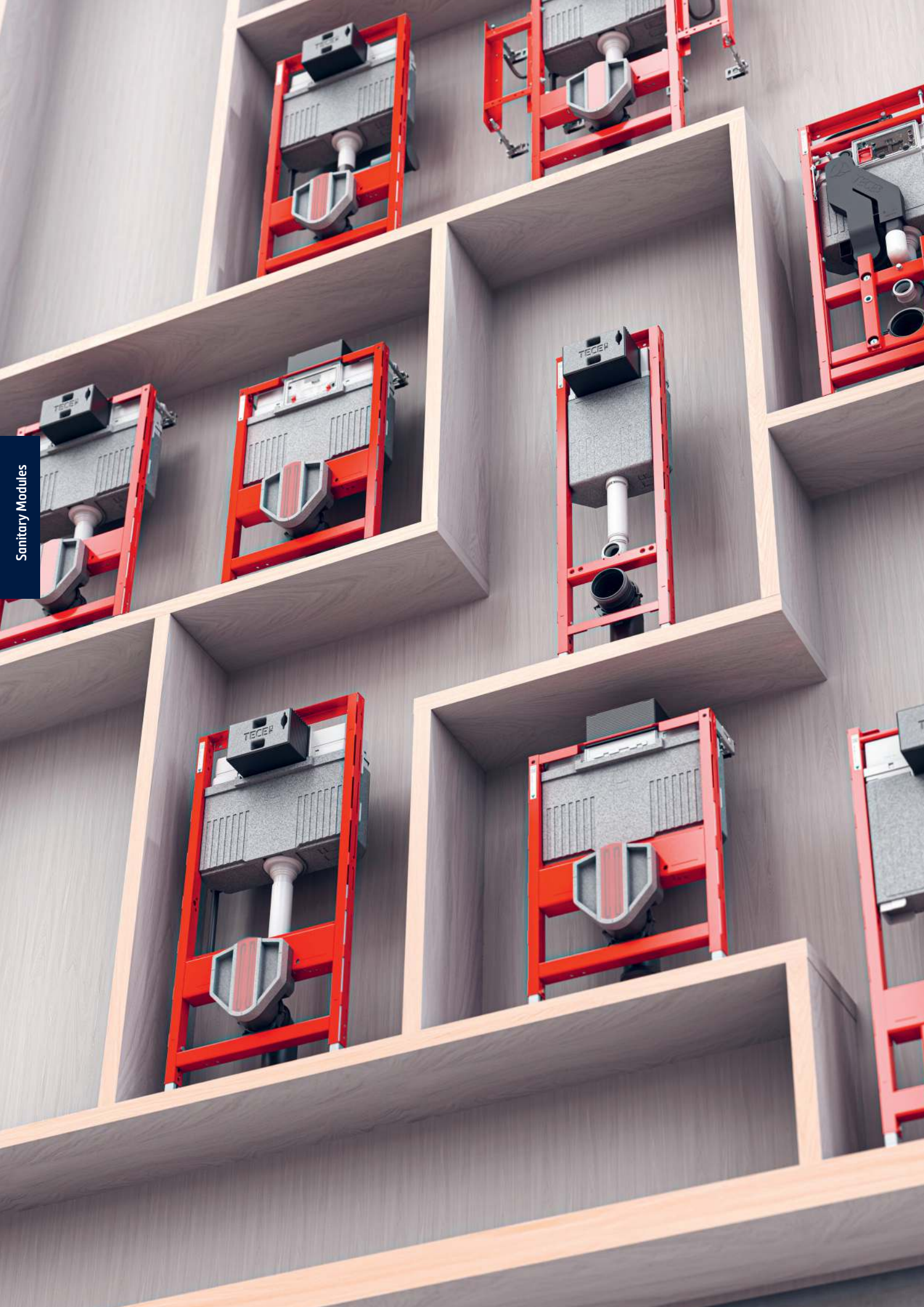


Sanitary Systems

SANITARY MODULES

Sanitary Modules

Sanitary Modules





| | Page |
|---------------|------|
| TECEprofil | 119 |
| TECEconstruct | 183 |
| TECEbox | 193 |

Sanitary Systems

TECEprofil DRY-WALL MODULES

Sanitary Modules



| | Page |
|---|------|
| Toilet modules with Uni cistern | 122 |
| Toilet modules with Compact 320 cistern | 134 |
| Toilet modules with Octa II cistern | 135 |
| Washstand modules | 138 |
| Urinal modules | 144 |
| Bath/shower module | 147 |
| Bidet modules | 149 |
| Accessories | 151 |
| Spare parts case | 162 |
| Spare parts | 164 |

An overview of valid Declaration of Performance (DoP) is available on our website www.tece.com.

Notes:

DU 1 = minimum order quantity per item; sometimes it is not possible to order smaller quantities for technical reasons

DU 2 = Euro palette for modules

TECEprofil – Toilet modules with Uni cistern

TECEprofil toilet module with Uni cistern, installation height 1120 mm

Toilet module including “easy fit” flush plate installation and conduit to connect electronic shower toilets. For fitting to TECEprofil section tubes or for installation in metal or wooden stud walls and as a pre-wall or corner module; also suitable for single block assembly.

Uni cistern for front actuation:

- Safety tank made of impact-resistant plastic, tested to EN 14055
- Cistern fully pre-assembled and sealed
- Cistern connection with outer thread R 1/2" at the side, compatible with quick adapters
- 10 litre tank volume; 6 litre pre-set standard flush volume, 4.5/7.5/9-litre flush volume can be set at any time; 3-litre partial flush volume for dual-flush system; remaining volume can be used for immediate cleaning flush.
- Insulated against condensation water
- For TECE flush plates and toilet flush handle
- Can be used as a single or dual-flush cistern
- “easy fit” flush plate installation
- Installation tunnel for service opening, can be shortened without tools
- Low-noise hydraulic filling valve, fitting group 1 according to DIN 4109
- Flow control throttle without removing the drain valve

Module frame:

- Self-supporting, powder-coated
- Two M 12 retaining bolts and nuts
- Toilet drain bend DN 90 with joint adapter DN 90/100, made of PP
- Joint adapter also suitable for horizontal installation
- Toilet connection set DN 90
- WC connection box including shell protection and conduit for universal shower WC connection (check position), with junction box and cover for transformer.

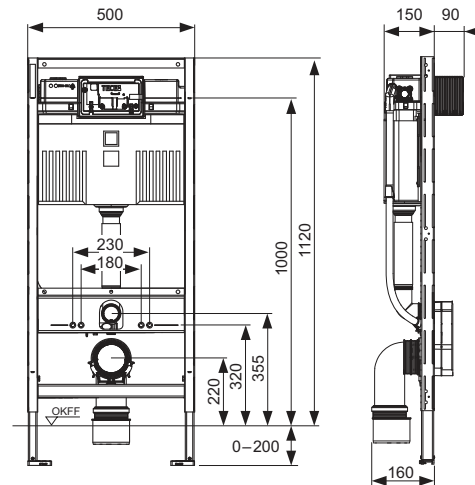
A raised ceramic attachment for a sitting height of 48 cm can be added in keeping with German standard DIN 18040 (DIN 18040: Barrier-free construction - Part 1: Publicly accessible buildings and workplaces).

Please order separately:

- Toilet flush plate (see flush plates)
- Fitting for pre-wall, corner or wooden stud wall structures
- Insert chute for cleaning tablets (optional)
- TECE upgrade set dry-wall for TECE shower toilets (optional)

Note:

If toilet ceramics with a reduced supporting surface are used (= distance from middle of fixing bolt to lower edge of supporting surface is not larger than 18 cm) - e.g. V & B Memento, Subway 2.0 - it is necessary to install the steel brace set 9041029 in the lower build space.



| Item No. | DU 1 | DU 2 | DU 3 |
|----------|-------|--------|--------|
| 9300300 | 1 pc. | 10 pc. | 20 pc. |

TECEprofil toilet module with Uni cistern, installation height 1120 mm

Toilet module including “easy fit” flush plate installation. For fitting to TECEprofil section tubes or for installation in metal or wooden stud walls and as a pre-wall or corner module; also suitable for single block assembly.

Uni cistern for front actuation:

- Safety tank made of impact-resistant plastic, tested to EN 14055
- Cistern fully pre-assembled and sealed.
- Cistern connection with outer thread R 1/2" at the side, compatible with quick adapters
- 10 litre tank volume; 6 litre pre-set standard flush volume, 4.5/7.5/9-litre flush volume can be set at any time; 3-litre partial flush volume for dual-flush system; remaining volume can be used for immediate cleaning flush.
- Insulated against condensation water
- For TECE flush plates and toilet flush handle
- Can be used as a single or dual-flush cistern
- “easy fit” flush plate installation
- Installation tunnel for service opening, can be shortened without tools
- Low-noise hydraulic filling valve, fitting group 1 according to DIN 4109
- Flow control throttle without removing the drain valve

Module frame:

- Self-supporting, powder-coated
- Two M 12 retaining bolts and nuts
- Toilet drain bend DN 90 with joint adapter DN 90/100, made of PP
- Joint adapter also suitable for horizontal installation
- Toilet connection set DN 90

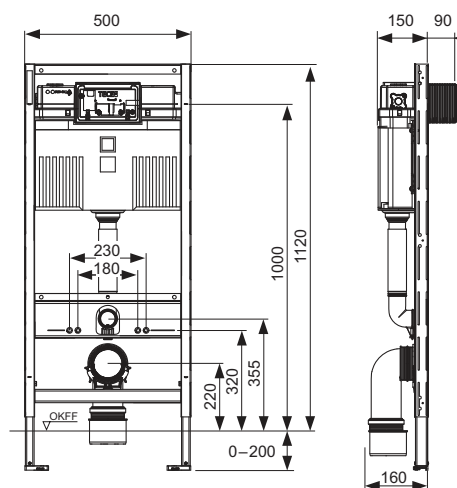
A raised ceramic attachment for a sitting height of 48 cm can be added in keeping with German standard DIN 18040 (DIN 18040: Barrier-free construction - Part 1: Publicly accessible buildings and workplaces).

Please order separately:

- Toilet flush plate (see flush plates)
- Fitting for pre-wall, corner or wooden stud wall structures
- Insert chute for cleaning tablets (optional)
- TECE upgrade set dry-wall for TECE shower toilets (optional)

Note:

If toilet ceramics with a reduced supporting surface are used (= distance from middle of fixing bolt to lower edge of supporting surface is not larger than 18 cm) - e.g. V & B Memento, Subway 2.0 - it is necessary to install the steel brace set 904 1029 in the lower build space.



| Item No. | DU 1 | DU 2 | DU 3 |
|----------|-------|--------|--------|
| 9300302 | 1 pc. | 10 pc. | 60 pc. |

TECEprofil – Toilet modules with Uni cistern

TECEprofil toilet module with Uni cistern, installation height 980 mm

Toilet module including “easy fit” flush plate installation and conduit to connect electronic shower toilets. For attaching to TECEprofil section tubes or as pre-wall or corner modules.

Uni cistern for front or top actuation:

- Safety tank made of impact-resistant plastic, tested to EN 14055
- Cistern fully pre-assembled and sealed
- Cistern connection with outer thread R 1/2" at the side, compatible with quick adapters
- 10 litre tank volume; 6 litre pre-set standard flush volume, 4.5/7.5/9-litre flush volume can be set at any time; 3-litre partial flush volume for dual-flush system; remaining volume can be used for immediate cleaning flush.
- Insulated against condensation water
- For TECE flush plates and toilet flush handle
- Can be used as a single or dual-flush cistern
- “easy fit” flush plate installation
- Installation tunnel for service opening, can be shortened without tools
- Low-noise hydraulic filling valve, fitting group 1 according to DIN 4109
- Flow control throttle without removing the drain valve

Module frame:

- Self-supporting, powder-coated
- Two M 12 retaining bolts and nuts
- Two depth-adjustable module attachments
- Toilet drain bend DN 90 with joint adapter DN 90/100, made of PP
- Joint adapter also suitable for horizontal installation
- Toilet connection set DN 90
- WC connection box including shell protection and conduit for universal shower WC connection (check position), with junction box and cover for transformer.

Please order separately:

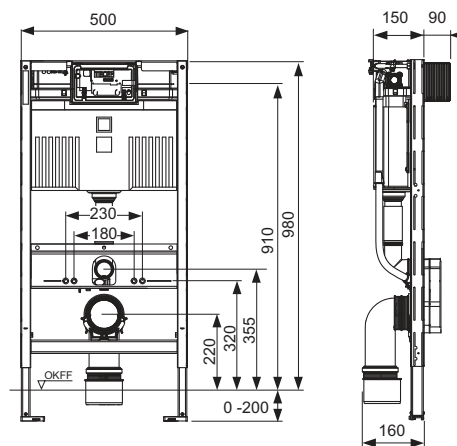
- Toilet flush plate (see flush plates)
- Insert chute for cleaning tablets (optional, front actuation only)
- TECE upgrade set dry-wall for TECE shower toilets (optional)

Note:

If toilet ceramics with a reduced supporting surface are used (= distance from middle of fixing bolt to lower edge of supporting surface is not larger than 18 cm) - e.g. V & B Memento, Subway 2.0 - it is necessary to install the steel brace set 9041029 in the lower build space.

Caution:

If the flush plate is fitted in front of cisterns with low installation height and a compact ceramic is used, the toilet lid may occasionally drop down unintentionally. When using compact ceramics fit the flush plate with top actuation only.



| Item No. | DU 1 | DU 2 | DU 3 |
|----------|-------|--------|--------|
| 9300322 | 1 pc. | 10 pc. | 20 pc. |

TECEprofil toilet module with Uni cistern, installation height 820 mm

Toilet module including “easy fit” flush plate installation and conduit to connect electronic shower toilets. For attaching to TECEprofil section tubes or as pre-wall or corner modules.

Uni cistern for front or top actuation:

- Safety tank made of impact-resistant plastic, tested to EN 14055
- Cistern fully pre-assembled and sealed
- Cistern connection with outer thread R 1/2" at the side, compatible with quick adapters
- 10 litre tank volume; 6 litre pre-set standard flush volume, 4.5/7.5/9-litre flush volume can be set at any time; 3-litre partial flush volume for dual-flush system; remaining volume can be used for immediate cleaning flush.
- Insulated against condensation water
- For TECE flush plates and toilet flush handle
- Can be used as a single or dual-flush cistern
- “easy fit” flush plate installation
- Installation tunnel for service opening, can be shortened without tools
- Low-noise hydraulic filling valve, fitting group 1 according to DIN 4109
- Flow control throttle without removing the drain valve

Module frame:

- Self-supporting, powder-coated
- Two M 12 retaining bolts and nuts
- Toilet drain bend DN 90 with joint adapter DN 90/100, made of PP
- Joint adapter also suitable for horizontal installation
- Toilet connection set DN 90
- WC connection box including shell protection and conduit for universal shower WC connection (check position), with junction box and cover for transformer.

Please order separately:

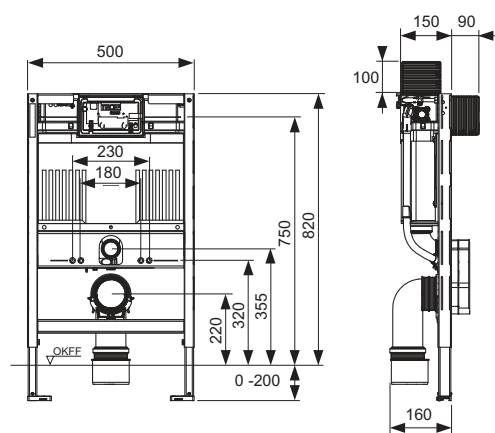
- Toilet flush plate (see flush plates)
- Insert chute for cleaning tablets (optional, front actuation only)
- TECE upgrade set dry-wall for TECE shower toilets (optional)

Note:

If toilet ceramics with a reduced supporting surface are used (= distance from middle of fixing bolt to lower edge of supporting surface is not larger than 18 cm) - e.g. V & B Memento, Subway 2.0 - it is necessary to install the steel brace set 9041029 in the lower build space.

Caution:

If the flush plate is fitted in front of cisterns with low installation height and a compact ceramic is used, the toilet lid may occasionally drop down unintentionally. When using compact ceramics fit the flush plate with top actuation only.



| Item No. | DU 1 | DU 2 | DU 3 |
|----------|-------|--------|--------|
| 9300301 | 1 pc. | 10 pc. | 20 pc. |

TECEprofil – Toilet modules with Uni cistern

TECEprofil toilet module with Uni 750-cistern, installation height 750 mm

Toilet module including “easy fit” flush plate assembly. For fitting to TECEprofil section tubes or for installation in metal or wooden stud-and-beam walls and as a pre-wall or corner module; also suitable for single block assembly.

Uni 750-cistern for actuation from above:

- Safety tank made of impact-resistant plastic, tested according to EN 14055
- Cistern fully pre-assembled and sealed
- Cistern connection with external thread R 1/2" on the side, compatible with quick adapters
- 8-litre tank volume; 6-litre pre-set standard flush volume, 4.5-litre flush volume can be set at any time; 3-litre partial flush volume for dual; immediate cleaning for dual-flush system; residual volume can be used for immediate cleaning flush.
- Insulated against condensation water
- For TECE flush plates and toilet flush handle
- Can be used as a single-flush or dual-flush cistern
- "easy fit" flush plate mounting
- Installation tunnel for service opening, can be shortened without tools
- Low-noise hydraulic filling valve, acoustic group 1 according to DIN 4109

Module frame:

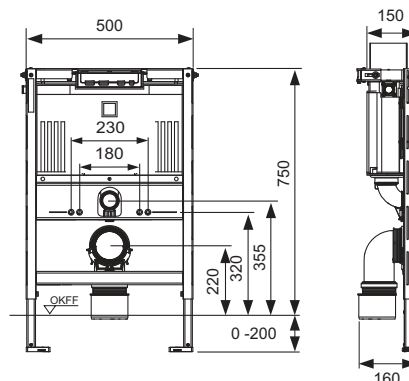
- self-supporting, powder-coated
- Two M 12 retaining bolts and nuts
- Toilet drain bend DN 90 with joint adapter DN 90/100, made of PP
- Joint adapter also suitable for horizontal installation
- Toilet connection set DN 90
- WC connection box including bare-wall protection with junction box

Please order separately:

- Toilet flush plate (see flush plates)
- Fitting for pre-wall, corner or wooden stud structures
- TECE upgrade set dry-wall for TECE shower toilets (optional)

Note:

If toilet ceramics with a reduced supporting surface are used (= distance from middle of fixing bolt to lower edge of supporting surface is no greater than 18 cm) - e.g. V & B Memento, Subway 2.0 - the steel brace set 9041029 must be installed in the lower installation space.



| Item No. | DU 1 | DU 2 | DU 3 |
|----------|-------|--------|--------|
| 9300291 | 1 pc. | 10 pc. | 20 pc. |

TECEprofil toilet module TECEprofil with Uni cistern, for TOTO Neorest Washlet (WC) AC 2.0/EW 2.0, installation height 1120 mm

Toilet module including “easy fit” flush plate installation. For fitting to TECEprofil section tubes or for installation in metal or wooden stud walls and as a pre-wall or corner module; also suitable for single block assembly.

Uni cistern for front actuation:

- Safety tank made of impact-resistant plastic, tested to EN 14055
- Cistern fully pre-assembled and sealed
- Cistern connection with outer thread R 1/2" at the side, compatible with quick adapters
- 10 litre tank volume; 6 litre pre-set standard flush volume, 4.5/7.5/9-litre flush volume can be set at any time; 3-litre partial flush volume for dual-flush system; remaining volume can be used for immediate cleaning flush.
- Insulated against condensation water
- For TECE flush plates and toilet flush handle
- Can be used as a single or dual-flush cistern
- “easy fit” flush plate installation
- Installation tunnel for service opening, can be shortened without tools
- Low-noise hydraulic filling valve, fitting group 1 according to DIN 4109
- Flow control throttle without removing the drain valve

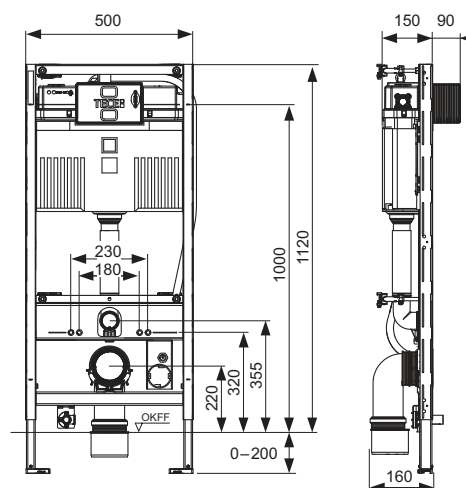
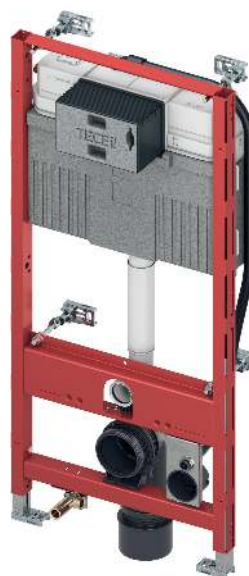
Module frame:

- Self-supporting, powder-coated
- Two M 12 retaining bolts and nuts
- Toilet drain bend DN 90 with joint adapter DN 90/100, made of PP
- Joint adapter also suitable for horizontal installation
- DN 90 toilet connection set including protective plug
- Pre-mounted control cable for automatic flush actuation with TOTO Neorest Washlet (WC) AC 2.0/EW 2.0
- Pre-mounted hollow-wall box for power connection of the shower toilet
- Pre-mounted holding plate for water connection of the shower toilet
- 1/2" x 1/2" wall disk including sound insulation
- Four depth-adjustable module attachments

A raised ceramic attachment for a sitting height of 48 cm can be added in keeping with German standard DIN 18040 (DIN 18040: Barrier-free construction - Part 1: Publicly accessible buildings and workplaces).

Please order separately:

- Toilet flush plate (see flush plates)
- Fitting for pre-wall, corner or wooden stud wall structures
- Insert chute for cleaning tablets (optional)



| Item No. | | DU 1 | DU 2 | DU 3 |
|----------|------|-------|--------|--------|
| 9300344 | SALE | 1 pc. | 10 pc. | 20 pc. |

TECEprofil – Toilet modules with Uni cistern

TECEprofil WC Geronto module with Uni cistern, ceramic attachment for sitting height of 48 cm in keeping with German standard DIN 18040-1, installation height 1120 mm

Toilet module including “easy fit” flush plate installation and conduit to connect electronic shower toilets. For attachment to TECEprofil section tubes or for flush-mounted profile walls or in front of a solid wall. For barrier-free construction with raised ceramic attachment. Module with lateral steel frames and conduits for cable laying, including mounting materials.

Safety support arm height = 760 mm

Uni cistern for front actuation:

- Safety tank made of impact-resistant plastic, tested to EN 14055
- Cistern fully pre-assembled and sealed
- Cistern connection with outer thread R 1/2" at the side, compatible with quick adapters
- 10 litre tank volume; 6 litre pre-set standard flush volume, 4.5/7.5/9-litre flush volume can be set at any time; 3-litre partial flush volume for dual-flush system; remaining volume can be used for immediate cleaning flush.
- Insulated against condensation water
- For TECE flush plates and toilet electronics
- Can be used as a single or dual-flush cistern
- “easy fit” flush plate installation
- Installation tunnel for service opening, can be shortened without tools
- Low-noise hydraulic filling valve, fitting group 1 according to DIN 4109
- Flow control throttle without removing the drain valve

Module frame:

- Self-supporting, powder-coated
- Two adjustable floor supports for floor projections of 0-200 mm
- Two M 12 retaining bolts and nuts
- Eight depth-adjustable module attachments
- Four multi-clips for attachment to a TECEprofil wall
- Lateral steel frames to hold the steel plate sets
- Toilet drain bend DN 90 with joint adapter DN 90/100, made of PP
- Joint adapter also suitable for horizontal installation
- Toilet connection set DN 90
- WC connection box including shell protection and conduit for universal shower WC connection (check position), with junction box and cover for transformer.

Please order separately:

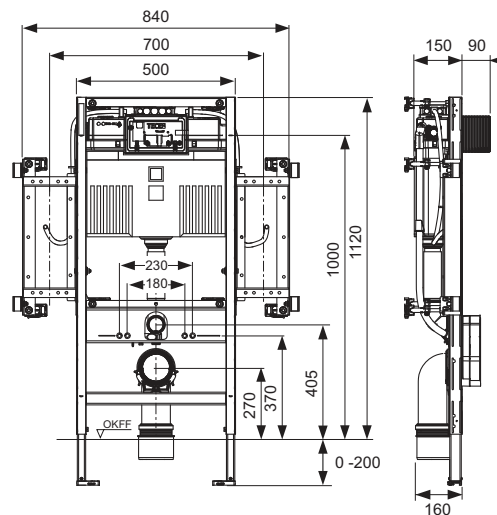
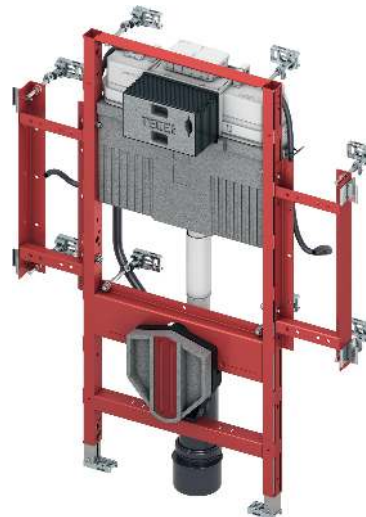
- Steel/wooden plate set to hold the safety arm supports (90420xx)
- Toilet electronics (such as TECEplanus toilet remote release)
- Toilet flush plate (see flush plates)
- TECE upgrade set dry-wall for TECE shower toilets (optional)

Note:

If toilet ceramics with a reduced supporting surface are used (= distance from middle of fixing bolt to lower edge of supporting surface is not larger than 18 cm) - e.g. V & B Memento, Subway 2.0 - it is necessary to install the steel brace set 9041029 in the lower build space.

Caution:

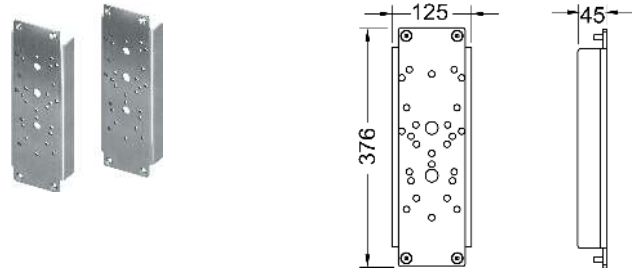
Depending on the manufacturer, concealed cabling may not be possible for all safety support arms.



| Item No. | DU 1 | DU 2 | DU 3 |
|----------|-------|--------|--------|
| 9300309 | 1 pc. | 10 pc. | 20 pc. |

TECEprofil steel plate set to hold the safety arm support

Consisting of two steel plates including mounting material for installation to WC Geronto module. The attachment screws for assembling the safety support arms are not included in the scope of delivery.



| Order No. | Manufacturer | Type | | |
|-----------|----------------------|--|--------------------|------------------------------------|
| 9042010 | Erlau | XSK Direkt, XSR Direkt | | |
| | Hewi | series 801/802 (Lifesystem)/805 | | |
| | Keuco | Plan Care (Caution: Only models with 4 attachment points) | | |
| | Linido | LI2601 | | |
| | Normbau Pressalit | Nylon Care Care R3016-RF016, R3018-RF018 | | |
| 9042011 | FSB | 82 8224 06011, 82 8224 06012 82 8224 07011, 82 8224 07012 | | |
| | | Linido | LI2603 | |
| 9042012 | Erlau | XSE, XSK, XSR | | |
| | Lehnen | Evolution | | |
| | PBA | 4CN.445.00RL a.o. of the series 400-NY | | |
| | SAM | free line | | |
| 9042013 | Deubad | Maxima Typ G40 | | |
| | Emco | 35 85 212 85, 35 85 212 60 | | |
| | Hergert | 10.036.00.1000, 10.036.01.1000, 10.037.01.1000, 10.056.00.1000, 10.056.01.1000, 10.056.18.1000, 10.056.19.1000, 10.057.00.1000, 10.057.01.1000, 10.058.06.1000 | | |
| | | Normbau | Inox Care | |
| | | rehagrip | A-series, B-series | |
| | | Terma | Wlon | |
| 9042016 | Deubad | DEU-WAVE | | |
| | FSB | 82 8224 06001, 82 8224 06002 82 8224 07001, 82 8224 07002 82 8224 08501 to 82 8224 08508 82 8224 08531, 82 8224 08532 82 8224 09001, 82 8224 09002 82 8224 09031, 82 8224 09032 82 8224 06041, 82 8224 06042 82 8224 07041, 82 8224 07042 82 8224 08541, 82 8224 08542 | | |
| | | Hewi | series 950 | |
| | | Normbau | Cavere Care-Vario | |
| | | 9042017 | Lehnen | Basic, Concept, Novus |
| | | 9042018 | Erlau | ASK |
| | | | PROVEX | series 400, series 300, series 250 |

| Item No. | DU 1 | DU 2 |
|----------|-------|--------|
| 9042010 | 1 set | 10 set |
| 9042011 | 1 set | 10 set |
| 9042012 | 1 set | 10 set |
| 9042013 | 1 set | 10 set |
| 9042016 | 1 set | 10 set |
| 9042017 | 1 set | 10 set |
| 9042018 | 1 set | 10 set |

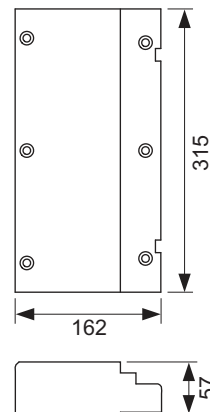
TECEprofil – Toilet modules with Uni cistern

TECEprofil wooden plate set to hold the safety arm supports

Wooden plate set consisting of two waterproof wooden plates made of glued veneer including mounting materials for installation to toilet Geronto module. The attachment screws for assembling the safety support arms are not included in the scope of delivery.

Caution:

Not prepared for safety support arm with cable-linked flush.



| Item No. | DU 1 | DU 2 |
|----------|-------|--------|
| 9042008 | 1 set | 10 set |

TECEprofil toilet module with Uni cistern, with connection for odour extraction (DN 70), installation height 1120 mm

Toilet module including “easy fit” flush plate installation and conduit to connect electronic shower toilets. For fitting to TECEprofil section tubes or for installation in metal or wooden stud walls and as a pre-wall or corner module; also suitable for single block assembly.

Uni cistern for front actuation:

- Safety tank made of impact-resistant plastic, tested to EN 14055
- Cistern fully pre-assembled and sealed
- Cistern connection with outer thread R 1/2" at the side, compatible with quick adapters
- 10 litre tank volume; 6 litre pre-set standard flush volume, 4.5/7.5/9-litre flush volume can be set at any time; 3-litre partial flush volume for dual-flush system; remaining volume can be used for immediate cleaning flush.
- Insulated against condensation water
- For TECE flush plates and toilet flush handle
- Can be used as a single or dual-flush cistern
- “easy fit” flush plate installation
- Installation tunnel for service opening, can be shortened without tools
- Low-noise hydraulic filling valve, fitting group 1 according to DIN 4109
- Connection for odour extraction (DN 70), matching fan e.g. Maico ER 100
- Flow control throttle without removing the drain valve

Module frame:

- Self-supporting, powder-coated
- Two M 12 retaining bolts and nuts
- Toilet drain bend DN 90 with joint adapter DN 90/100, made of PP
- Joint adapter also suitable for horizontal installation
- Toilet connection set DN 90
- WC connection box including shell protection and conduit for universal shower WC connection (check position), with junction box and cover for transformer.

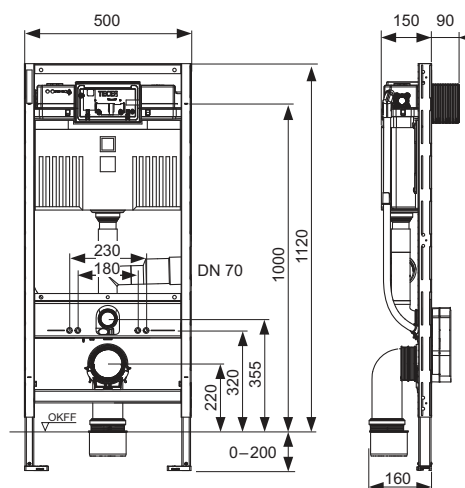
A raised ceramic attachment for a sitting height of 48 cm can be added in keeping with German standard DIN 18040 (DIN 18040: Barrier-free construction - Part 1: Publicly accessible buildings and workplaces).

Please order separately:

- Toilet flush plate (see flush plates)
- Fitting for pre-wall, corner or wooden stud wall structures
- Insert chute for cleaning tablets (optional)
- TECE upgrade set dry-wall for TECE shower toilets (optional)

Note:

- If toilet ceramics with a reduced supporting surface are used (= distance from middle of attachment bolt to lower edge of supporting surface is not greater than 18 cm) - e.g. V & B Memento, Subway 2.0 - it is necessary to install the steel brace set 9041029 in the lower build space.
- It is possible to fit odour extraction to all common toilet ceramics. However, the flushing water remains standing in the flush pipe of some ceramics with a higher sitting position or higher flushing rim, resulting in the bowl becoming partially or completely full. The current "Technical Information" offers an overview of the affected ceramics in which it is not possible to fit the odour extraction option.



| Item No. | DU 1 | DU 2 | DU 3 |
|----------|-------|--------|--------|
| 9300303 | 1 pc. | 10 pc. | 20 pc. |

TECEprofil – Toilet modules with Uni cistern

TECEprofil toilet module "Kids" with Uni cistern, for floor-standing toilet, installation height 1120 mm

Toilet module including “easy fit” flush plate installation. For fitting to TECEprofil section tubes or for installation in metal or wooden stud walls and as a pre-wall or corner module; also suitable for single block assembly.

Uni cistern for front actuation:

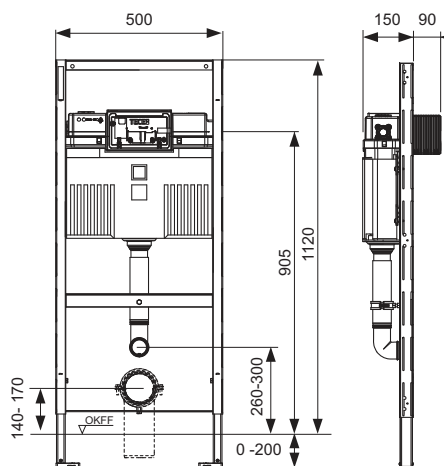
- Safety tank made of impact-resistant plastic, tested to EN 14055
- Cistern fully pre-assembled and sealed
- Cistern connection with outer thread R 1/2" at the side, compatible with quick adapters
- 10 litre tank volume; 6 litre pre-set standard flush volume, 4.5/7.5/9-litre flush volume can be set at any time; 3-litre partial flush volume for dual-flush system; remaining volume can be used for immediate cleaning flush.
- Insulated against condensation water
- For TECE flush plates and toilet flush handle
- Can be used as a single or dual-flush cistern
- “easy fit” flush plate installation
- Installation tunnel for service opening, can be shortened without tools
- Low-noise hydraulic filling valve, fitting group 1 according to DIN 4109
- Flow control throttle without removing the drain valve

Module frame:

- Self-supporting, powder-coated

Please order separately:

- Toilet flush plate (see flush plates)
- Fitting for pre-wall, corner or wooden stud wall structures
- Insert chute for cleaning tablets (optional)
- Toilet connection elbow



| Item No. | DU 1 | DU 2 | DU 3 |
|----------|-------|--------|--------|
| 9300388 | 1 pc. | 10 pc. | 20 pc. |

TECEprofil toilet module with Uni cistern for universal connection of a shower toilet, installation height 1120 mm

Toilet module including “easy fit” flush plate installation and conduit to connect electronic shower toilets. For fitting to TECEprofil section tubes or for installation in metal or wooden stud walls and as a pre-wall or corner module; also suitable for single block assembly.

Uni cistern for front actuation:

- Safety tank made of impact-resistant plastic, tested to EN 14055
- Cistern fully pre-assembled and sealed.
- Cistern connection with outer thread R 1/2" at the side, compatible with quick adapters
- 10 litre tank volume; 6 litre pre-set standard flush volume, 4.5/7.5/9-litre flush volume can be set at any time; 3-litre partial flush volume for dual-flush system; remaining volume can be used for immediate cleaning flush.
- Insulated against condensation water
- For TECE flush plates and toilet flush handle
- Can be used as a single or dual-flush cistern
- “easy fit” flush plate installation
- Installation tunnel for service opening, can be shortened without tools
- Low-noise hydraulic filling valve, fitting group 1 according to DIN 4109
- Flow control throttle without removing the drain valve

Module frame:

- Self-supporting, powder-coated
- Two M 12 retaining bolts and nuts
- Toilet drain bend DN 90 with joint adapter DN 90/100, made of PP
- Joint adapter also suitable for horizontal installation
- Toilet connection set DN 90
- Cable box for universal positioning of the power connection
- Shell structure cover with protective plug
- WC connection box including shell protection and conduit for universal shower WC connection (check position), with junction box and cover for transformer.

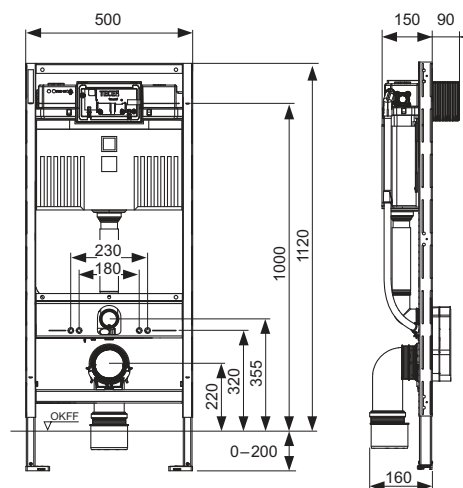
A raised ceramic attachment for a sitting height of 48 cm can be added in keeping with German standard DIN 18040 (DIN 18040: Barrier-free construction - Part 1: Publicly accessible buildings and workplaces).

Please order separately:

- Toilet flush plate (see flush plates)
- Fitting for pre-wall, corner or wooden stud wall structures
- Fine installation set for universal shower toilet module 1120 mm
- Insert chute for cleaning tablets (optional)

Note:

If toilet ceramics with a reduced supporting surface are used (= distance from middle of fixing bolt to lower edge of supporting surface is not larger than 18 cm) - e.g. V & B Memento, Subway 2.0 - it is necessary to install the steel brace set 9041029 in the lower build space.



| Item No. | DU 1 | DU 2 | DU 3 |
|----------|-------|--------|--------|
| 9300379 | 1 pc. | 10 pc. | 20 pc. |

TECEprofil – Toilet modules with Compact 320 cistern

TECEprofil toilet module with Compact 320 cistern, installation height 1120 mm

Toilet module including “easy fit” flush plate assembly. For fixing to TECEprofil section tubes or for installation in metal or wooden stud walls and as a pre-wall or corner module; also suitable for single block assembly.

Compact 320 cistern for operation from the front:

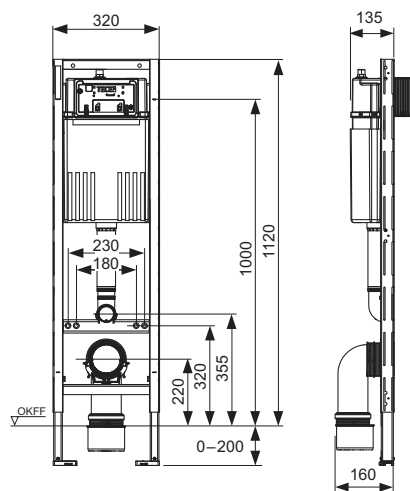
- Safety tank made of impact-resistant plastic, tested according to EN 14055
- Cistern completely pre-assembled
- Cistern connection with R 1/2" outer thread from above, compatible with quick-action adapters
- 3-way corner valve; shut-off valve with flush function when filling valve is fitted
- 7 litre tank volume; 6 litre preset standard flush volume; 4.5 litre flush volume adjustable at any time; 3 litre partial flush with dual-flush system; setting of a 4/2 litre flush volume optionally possible. Remaining volume can be used for immediate cleaning flush.
- Insulated against condensation water
- For TECE flush plates and toilet flush handle
- Can be used as a single or dual-flush cistern
- "easy fit" flush plate mounting
- Installation tunnel for service opening, can be shortened without tools
- Low-noise hydraulic filling valve, acoustic group 1 to DIN 4109

Module frame:

- Self-supporting, powder-coated
- Two M 12 retaining bolts and nuts
- Toilet drain bend DN 90 incl. joint adapter DN 90/100 made of PP
- Joint adapter also suitable for horizontal installation
- Toilet connection set DN 90, including building protection plug

Please order separately:

- Toilet flush plate (see Flush Plates)
- Fitting for pre-wall, corner or wooden stud installation
- TECE upgrade set 320 dry-wall for TECE shower toilets (optional)



| Item No. | DU 1 | DU 2 | DU 3 |
|----------|-------|--------|--------|
| 9300600 | 1 pc. | 15 pc. | 30 pc. |

TECEprofil toilet module with Octa II cistern, 8 cm, installation height 1120 mm

Toilet module including “easy fit” flush plate installation. For fitting to TECEprofil section tubes or for installation in metal or wooden stud walls and as a pre-wall or corner module; also suitable for single block assembly.

Octa II cistern 8 cm, for front actuation:

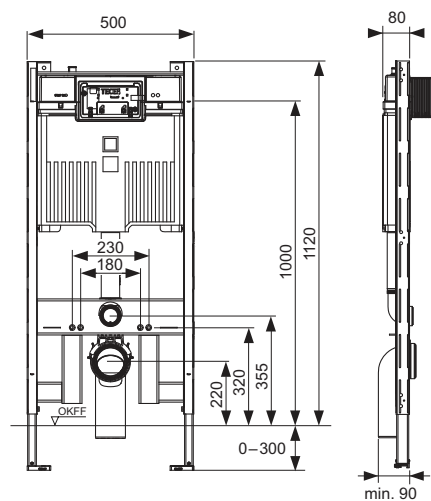
- Safety tank made of impact-resistant plastic, tested to EN 14055
- Cistern fully pre-assembled and sealed
- Cistern connection with outer thread R 1/2" at the top, compatible with quick adapters
- 7-litre tank volume; 6-litre pre-set standard flush volume, 4.5-litre flush volume can be set at any time; 3-litre partial flush volume for dual-flush system; optional setting of a 4/2 litre flush volume possible.
- Insulated against condensation water
- For TECE flush plates and toilet flush handle
- Can be used as a single or dual-flush cistern
- “easy fit” flush plate installation
- Installation tunnel for service opening, can be shortened without tools
- Low-noise hydraulic filling valve, fitting group 1 according to DIN 4109

Module frame:

- Self-supporting, powder-coated
- Two M 12 retaining bolts and nuts
- Depth-adjustable toilet drain bend DN 90/90 PE-HD, including protective plug
- Toilet connection set DN 90
- Suitable for floor constructions up to 20 cm
- Ceramics installation spacing 180 mm or 230 mm
- Wall attachment

Please order separately:

- Toilet flush plate (see flush plates)
- Attachment for corner or wooden stud wall structures (optional)
- TECE upgrade set dry-wall 8 cm for TECE shower toilets (optional)



| Item No. | DU 1 | DU 2 |
|----------|-------|--------|
| 9300500 | 1 pc. | 10 pc. |

TECEprofil – Toilet modules with Octa II cistern

TECEprofil toilet module with Octa II cistern, 8 cm, with connection for odour extraction, installation height 1120 mm

Toilet module including “easy fit” flush plate installation. For fitting to TECEprofil section tubes or for installation in metal or wooden stud walls and as a pre-wall or corner module; also suitable for single block assembly.

Octa II cistern 8 cm, for front actuation:

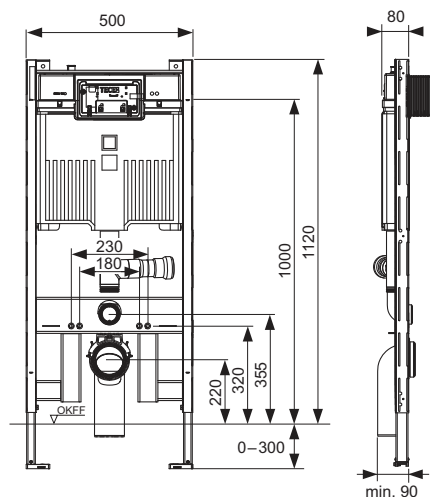
- Safety tank made of impact-resistant plastic, tested to EN 14055
- Cistern fully pre-assembled and sealed.
- Cistern connection with outer thread R 1/2" at the top, compatible with quick adapters
- 7-litre tank volume; 6-litre pre-set standard flush volume, 4.5-litre flush volume can be set at any time; 3-litre partial flush volume for dual-flush system; optional setting of a 4/2 litre flush volume possible.
- Insulated against condensation water
- For TECE flush plates and toilet flush handle
- Can be used as a single or dual-flush cistern
- “easy fit” flush plate installation
- Installation tunnel for service opening, can be shortened without tools
- Low-noise hydraulic filling valve, fitting group 1 according to DIN 4109
- With connection for odour extraction DN 50

Module frame:

- Self-supporting, powder-coated
- Two M 12 retaining bolts and nuts
- Depth-adjustable toilet drain bend DN 90/90 PE-HD, including protective plug
- Toilet connection set DN 90
- Suitable for floor constructions up to 20 cm
- Ceramics installation spacing 180 mm or 230 mm
- Including wall attachment

Please order separately:

- Toilet flush plate (see flush plates)
- Fitting for pre-wall, corner or wooden stud wall structures (optional)
- TECE upgrade set dry-wall 8 cm for TECE shower toilets (optional)



| Item No. | DU 1 | DU 2 |
|----------|-------|--------|
| 9300501 | 1 pc. | 10 pc. |

TECEprofil toilet module with Octa II cistern 8 cm, installation height 1120 mm

Toilet module including “easy fit” flush plate installation. For fitting to TECEprofil section tubes or for installation in metal or wooden stud walls and as a pre-wall or corner module; also suitable for single block assembly.

Octa II cistern 8 cm, for front actuation:

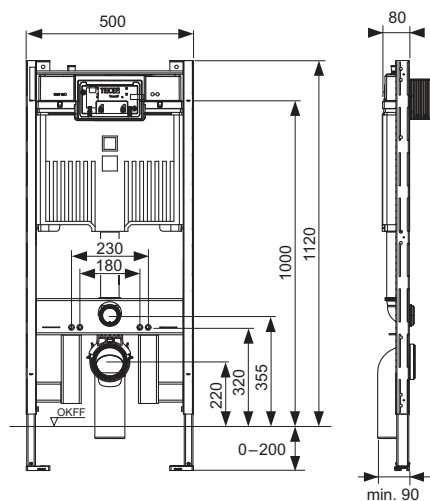
- Safety tank made of impact-resistant plastic, tested to EN 14055
- Cistern fully pre-assembled and sealed
- Cistern connection with outer thread R 1/2" at the top, compatible with quick adapters
- 7-litre tank volume; 6-litre pre-set standard flush volume, 4.5-litre flush volume can be set at any time; 3-litre partial flush volume for dual-flush system; optional setting of a 4/2 litre flush volume possible.
- Insulated against condensation water
- for TECE flush plates and toilet flush handle
- can be used as a single or dual-flush cistern
- “easy fit” flush plate installation
- Installation tunnel for service opening, can be shortened without tools
- Low-noise hydraulic filling valve, fitting group 1 according to DIN 4109

Module frame:

- Self-supporting, powder-coated
- Two M 12 retaining bolts and nuts
- Depth-adjustable toilet drain bend DN 90 with joint adapter DN 90/100 made of PP, including protective plug
- Joint adapter also suitable for horizontal installation
- Toilet connection set DN 90
- Suitable for floor constructions up to 20 cm
- Ceramics installation spacing 180 mm or 230 mm
- Wall attachment
- Toilet sound insulation set

Please order separately:

- Toilet flush plate (see flush plates)
- Fitting for pre-wall, corner or wooden stud wall structures (optional)
- TECE upgrade set dry-wall 8 cm for TECE shower toilets (optional)



| Item No. | DU 1 | DU 2 |
|----------|-------|--------|
| 9300502 | 1 pc. | 10 pc. |

TECEprofil – Washstand modules

TECEprofil washstand module, installation height 1120 mm

To attach to TECEprofil section tubes or to install in metal or wooden stud walls and as pre-wall or corner module.

Completely pre-assembled unit, consisting of:

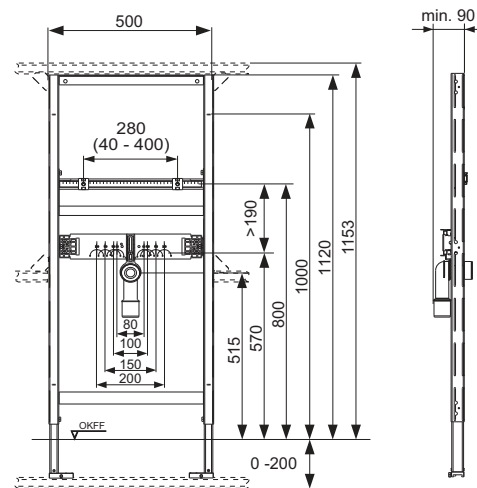
- Self-supporting assembly frame, powder coated
- Two M 10 retaining bolts, vertically and laterally adjustable distance gauge
- Sound-insulated mounting crossbeams to attach wall disks
- Connection bend DN 40/50 with rubber collar, NW 30/50 (also acts as seal), protective plug

Please order separately:

- Wall disks TECEflex 16 x 1/2", TECElogo 16 x 1/2" or TECElogo-Push 20 universal connection x 1/2"
- Fitting for pre-wall, corner or wooden stud structures
- Mounting crossbeam for flush-mounted/wall-mounted fittings 9020041



| Item No. | DU 1 | DU 2 | DU 3 |
|----------|-------|--------|--------|
| 9310000 | 1 pc. | 14 pc. | 28 pc. |



TECEprofil washstand module, installation height 820-980 mm

Washstand module for attachment to TECEprofil section tubes or for installation in metal or wooden stud walls and as a pre-wall or corner module.

Completely pre-assembled unit, consisting of:

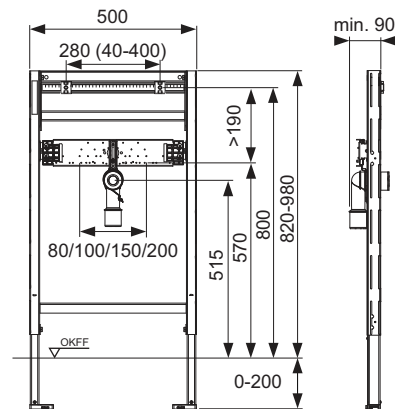
- Self-supporting assembly frame, powder-coated
- Two M 10, height and depth-adjustable retaining bolts, laterally adjustable distance gauge
- Sound-insulated mounting crossbeams to affix wall disks
- Connection elbow DN 40/50 with rubber collar, NW 30/50 (also acts as seal), including protective plug

Please order separately:

- Wall disks TECEflex 16 x 1/2", TECElogo 16 x 1/2" or TECElogo-Push 20 universal connection x 1/2"
- Attachment for pre-wall, corner or wooden stud wall installation



| Item No. | DU 1 | DU 2 | DU 3 |
|----------|-------|--------|--------|
| 9310018 | 1 pc. | 14 pc. | 28 pc. |



TECEprofil – Washstand modules

TECEprofil washstand module with concealed odour trap, installation height 1120 mm

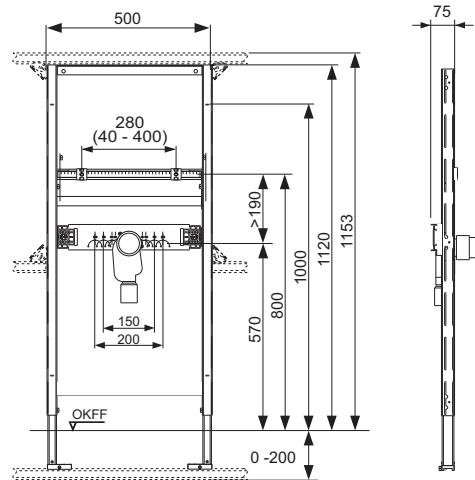
To attach to TECEprofil section tubes or to install in metal or wooden stud walls and as pre-wall or corner module. For construction of washstand units with a ground clearance to DIN 18040-1 (construction of accessible buildings – Part 1: Publicly accessible buildings).

Completely pre-assembled unit, consisting of:

- Self-supporting assembly frame, powder coated
- Two M 10 retaining bolts, vertically and laterally adjustable distance gauge
- Sound-insulated mounting crossbeams to affix wall disks, centres 150 mm and 200 mm
- DN 50 concealed odour trap with removable U-bend insert, nominal diameter 30, (also acts as seal) incl. protective plug

Please order separately:

- Wall disks TECEflex 16 x 1/2", TECElogo 16 x 1/2" or TECElogo-Push 20 universal connection x 1/2"
- Connection bend for concealed odour trap 9080001
- Fitting for pre-wall, corner and wooden stud installation
- Mounting crossbeam for flush-mounted/wall-mounted fittings 9020041



| Item No. | DU 1 | DU 2 | DU 3 |
|----------|-------|--------|--------|
| 9310004 | 1 pc. | 14 pc. | 28 pc. |

TECEprofil washstand module with concealed odour trap, installation height 820-980 mm

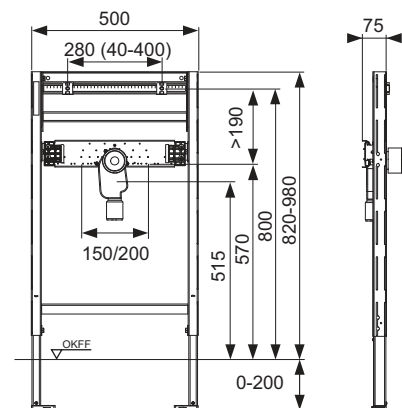
Washstand module for attachment to TECEprofil section tubes or for installation in metal or wooden stud walls and as a pre-wall or corner module. For construction of washstand units with a ground clearance to DIN 18040 – 1 (construction of accessible buildings – Part 1: Publicly accessible buildings)

Completely pre-assembled unit, consisting of:

- Self-supporting assembly frame, powder-coated
- Two M 10 retaining bolts, vertically and laterally adjustable distance gauge
- Sound-insulated mounting crossbeams to affix wall disks, borehole centres 150 mm and 200 mm
- DN 50 concealed odour trap with removable siphon insert, NW 30 (also acts as seal), incl. protective plug

Please order separately:

- Wall disks TECEflex 16 x 1/2", TECElogo 16 x 1/2" or TECElogo-Push 20 universal connection x 1/2"
- Connection elbow for concealed odour trap 9080001
- Attachment for pre-wall, corner or wooden stud wall installation



| Item No. | DU 1 | DU 2 | DU 3 |
|----------|-------|--------|--------|
| 9310019 | 1 pc. | 14 pc. | 28 pc. |

TECEprofil – Washstand modules

TECEprofil washstand module including two assembly blocks for mounting water meter measuring capsules, installation height 1120 mm

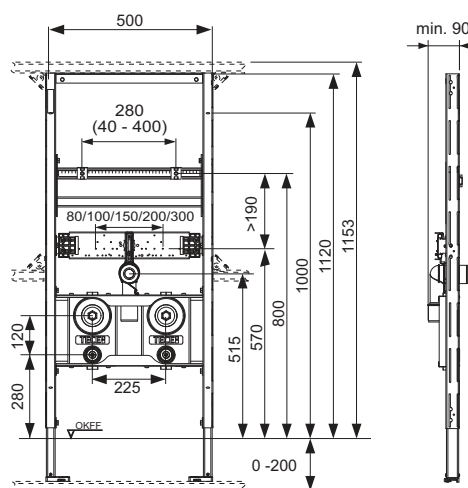
Washstand module for attachment to TECEprofil section tubes or for installation in metal or wooden stud walls and as a pre-wall or corner module.

Completely pre-assembled unit, consisting of:

- Self-supporting assembly frame, powder-coated
- Two M 10, height and Depth-adjustable retaining bolts, laterally adjustable distance gauge
- Sound-insulated mounting crossbeams to affix wall disks
- Connection elbow DN 40/50 with rubber collar, NW 30/50 (also acts as seal), including protective plug
- Two assembly blocks with G 2" coaxial water meter (HWW model) with Rp 3/4" connection

Please order separately:

- Two final installation sets for flush-mounted valve, chromed
- Wall disks TECEflex 16 x 1/2", TECElogo 16 x 1/2" or TECElogo-Push 20 universal connection x 1/2"
- Fitting for pre-wall, corner or wooden stud structures



| Item No. | DU 1 | DU 2 | DU 3 |
|----------|-------|--------|--------|
| 9310017 | 1 pc. | 10 pc. | 20 pc. |

TECEprofil washstand module for sink, installation height 1120 mm

To attach to TECEprofil section tubes or to install in metal or wooden stud walls and as pre-wall or corner module.

Completely pre-assembled unit, consisting of:

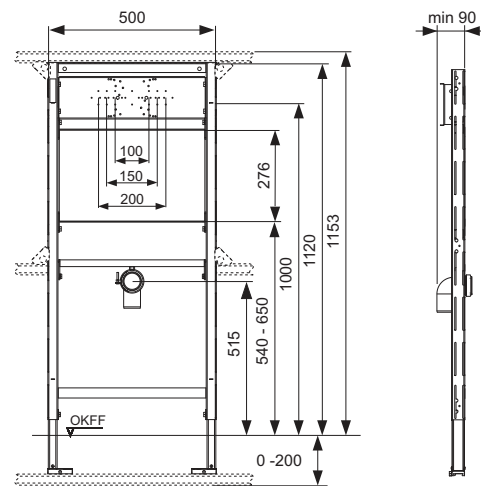
- Self-supporting assembly frame, powder coated
- Watertight glued mounting plate made of structural veneer pursuant to DIN 68705
- Mounting crossbeam for the attachment of wall-mounted fittings
- High-temperature connection bend DN 50 incl. protective plug

Please order separately:

- Wall disks TECEflex 16 x 1/2", TECElogo 16 x 1/2" or TECElogo-Push 20 universal connection x 1/2"
- Fitting for pre-wall, corner or wooden stud structures



| Item No. | DU 1 | DU 2 | DU 3 |
|----------|-------|--------|--------|
| 9310002 | 1 pc. | 14 pc. | 28 pc. |



TECEprofil – Urinal modules

TECEprofil urinal module with TECE flush valve housing U 2, installation height 1120 mm

Urinal module for combination with TECEfilo valve unit and sensor cover, for fixing to TECEprofil section tubes or for installation in metal or wooden stud-and-beam walls and as a pre-wall or corner module.

Completely pre-assembled unit, consisting of:

- TECE urinal flush valve housing U 2 with inlet flow control and bare-wall protection system
- 230 V/12 V integrated transformer for direct 230 V connection
- Connection R 1/2"
- Two adjustable foot supports for floor projections of 0-200 mm
- Installation depth 75 mm
- Two M 8 retaining bolts
- Continuously adjustable fixing rails
- Continuously height-adjustable drain connection
- Connection elbow DN 50 including building protection plug
- Mounting material for urinal
- Inlet fitting 1/2"

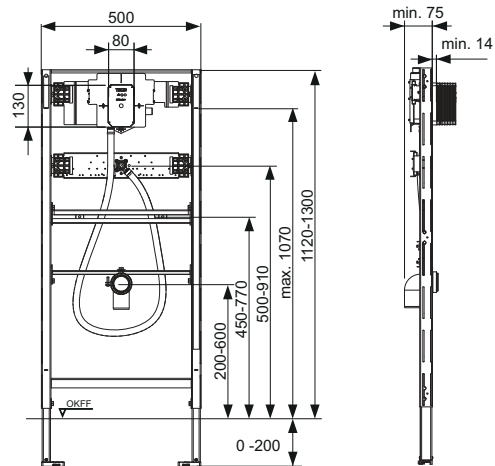


Please order separately:

- TECEfilo valve unit (see Urinal flush plates)
- TECEfilo sensor cover (see Urinal flush plates)
- Fitting for pre-wall, corner or wooden stud installation

Caution:

Not suitable for semi-recessed urinals.



| Item No. | DU 1 | DU 2 | DU 3 |
|----------|-------|--------|--------|
| 9320013 | 1 pc. | 14 pc. | 28 pc. |

TECEprofil urinal module with TECE flush valve housing U 1, installation height 1120 mm

Urinal module to hold manual and electronic actuation systems. For fitting to TECEprofil section tubes or for installation in metal or wooden stud walls and as a pre-wall or corner module.

Completely pre-assembled unit, consisting of:

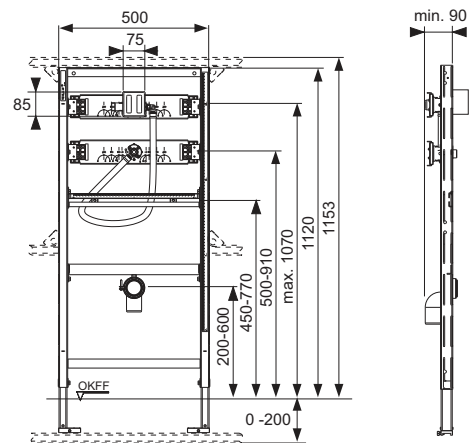
- TECE urinal flush valve housing U 1 with inlet flow control and bare-wall protection system
- Connection Rp 1/2"
- Two adjustable supports for floor projections of 0-200 mm
- Two M 8 retaining bolts
- Continuously adjustable fixing rails
- Continuously height-adjustable drain connection
- Connection bend DN 50 including protective plugs
- Mounting material for urinal
- Inlet fitting 1/2"

Please order separately:

- Manual actuation or electronic (TECESquare, TECEloop, TECEsolid, TECEplanus urinal electronic and TECEnow)
- Attachment for individual pre-wall, corner or wooden stud wall assembly

Caution:

Not suitable for semi-recessed urinals.



| Item No. | DU 1 | DU 2 | DU 3 |
|----------|-------|--------|--------|
| 9320008 | 1 pc. | 14 pc. | 28 pc. |

TECEprofil – Urinal modules

TECEprofil urinal module for wall-mounted flush valve, installation height 1120 mm

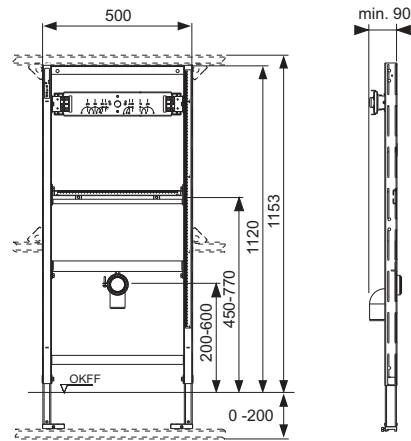
Urinal module to hold wall-mounted flush valves. To attach to TECEprofil section tubes or to install in metal or wooden stud walls and as pre-wall or corner module.

Completely pre-assembled unit, consisting of:

- Self-supporting installation frame, powder coated
- Two adjustable supports for floor constructions between 0-200 mm
- Two M 8 retaining bolts
- Continuously adjustable fixing rails
- Continuously height-adjustable drain connection
- DN 50 high-temperature drain bend incl. protective plug
- Mounting material for urinal

Please order separately:

- Fitting for pre-wall, corner or wooden stud structures



| Item No. | DU 1 | DU 2 | DU 3 |
|----------|-------|--------|--------|
| 9320010 | 1 pc. | 14 pc. | 28 pc. |

TECEprofil bath/shower module for flush-mounted and wall-mounted fittings, installation height 1120 mm

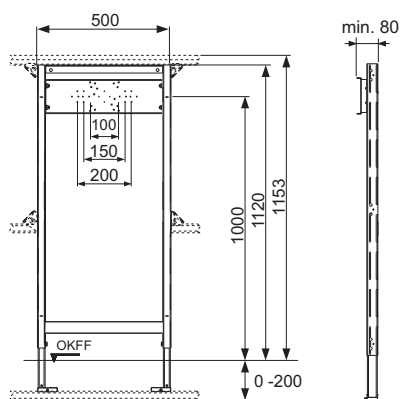
Bath/shower module to attach to TECEprofil section tubes or to install in metal or wooden stud walls and as pre-wall or corner module; to take wall-mounted or flush-mounted fittings.

Completely pre-assembled unit, consisting of:

- Self-supporting installation frame, powder coated
- Two adjustable supports for floor constructions between 0-200 mm
- Continuously adjustable crossbeam to take flush-mounted fittings or wall disks



| Item No. | | DU 1 | DU 2 | DU 3 |
|----------|------|-------|--------|--------|
| 9340000 | SALE | 1 pc. | 14 pc. | 28 pc. |



TECEprofil – Bath/shower module

TECEprofil bath/shower module adjustable crossbeam for flush-mounted and wall-mounted fittings, installation height 1120 mm

NEW

Bath/shower module for attachment to TECEprofil profile pipes or for installation in metal or wooden stud walls and as a pre-wall or corner module; to accommodate wall-mounted or concealed fittings.

Completely pre-assembled unit, consisting of:

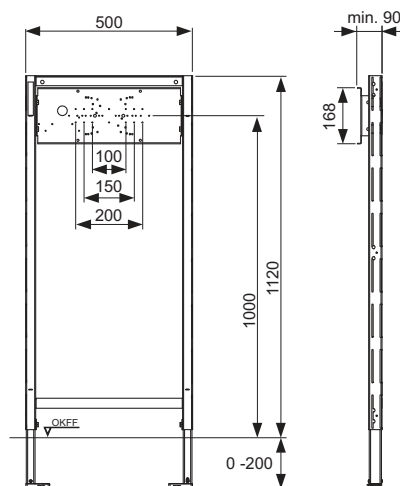
- Self-supporting mounting frame, powder-coated
- Two adjustable foot supports for floor build-up of 0-200 mm
- Infinitely adjustable crossbeam to accommodate concealed fittings (e.g. hansgrohe iBox universal 2) or wall discs

Please order separately:

- Fitting for pre-wall, corner or wooden stud structures



| Item No. | | DU 1 | DU 2 | DU 3 |
|----------|-----|-------|--------|--------|
| 9340002* | NEW | 1 pc. | 14 pc. | 28 pc. |



TECEprofil bidet module for wall-mounted bidet, installation height 1120 mm

To attach to TECEprofil section tubes or to install in metal or wooden stud walls and as pre-wall or corner module.

Completely pre-assembled unit, consisting of:

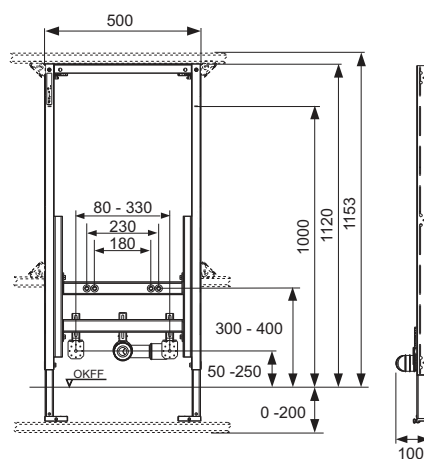
- Self-supporting, powder coated assembly frame and two adjustable supports for floor constructions between 0-200 mm
- Two M 12 retaining bolts and nuts
- Continuously height-adjustable drain connection
- Connection bend DN 40/50, with rubber collar, nominal diameter 30/50, (also acts as seal), incl. protective plug

Please order separately:

- Wall disks TECEflex 16 x 1/2", TECElogo 16 x 1/2" or TECElogo-Push 20 universal connection x 1/2"
- Fitting for pre-wall, corner or wooden stud structures



| Item No. | DU 1 | DU 2 | DU 3 |
|----------|-------|--------|--------|
| 9330000 | 1 pc. | 14 pc. | 28 pc. |



TECEprofil – Bidet modules

TECEprofil bidet module for wall-mounted bidet, installation height 820 mm

To attach to TECEprofil section tubes or to install in metal or wooden stud walls and as pre-wall or corner module.

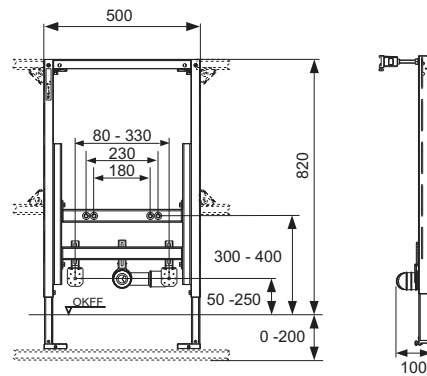
Completely pre-assembled unit, consisting of:

- Self-supporting, powder coated assembly frame and two adjustable supports for floor constructions between 0-200 mm
- Two M 12 retaining bolts and nuts
- Continuously height-adjustable drain connection
- Connection bend DN 40/50, with rubber collar, nominal diameter 30/50, (also acts as seal), incl. protective plug
- Two depth-adjustable module attachments

In combination with telescopic attachment 9380001 it can also be fitted in a TECEprofil pre-wall for installation height 980 mm.

Please order separately:

- Fitting for corner or wooden stud structures
- Wall disks TECEflex 16 x 1/2", TECElogo 16 x 1/2" or TECElogo-Push 20 universal connection x 1/2"
- Telescopic attachment TECEprofil for modules 9380001



| Item No. | DU 1 | DU 2 | DU 3 |
|----------|-------|--------|--------|
| 9330005 | 1 pc. | 14 pc. | 28 pc. |

TECEprofil module for safety arm support and support systems

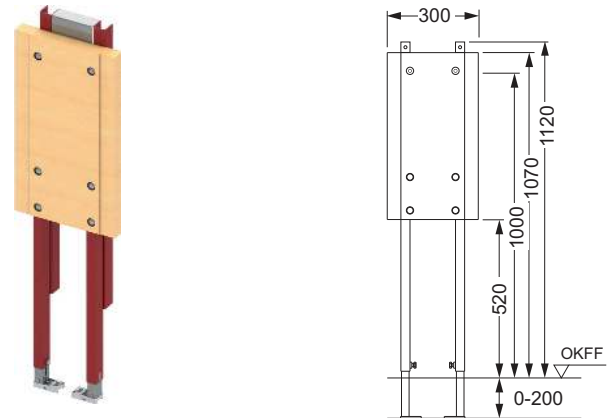
For installation in a UA profile stud wall or as pre-wall element.

Pre-assembled unit, consisting of:

- Self-supporting mounting frame, powder-coated
- Watertight, multi-glued wood inlay panel
- Mounting materials for fixing to a UA profile wall

Please order separately:

- Depth-adjustable module attachment for pre-wall assembly



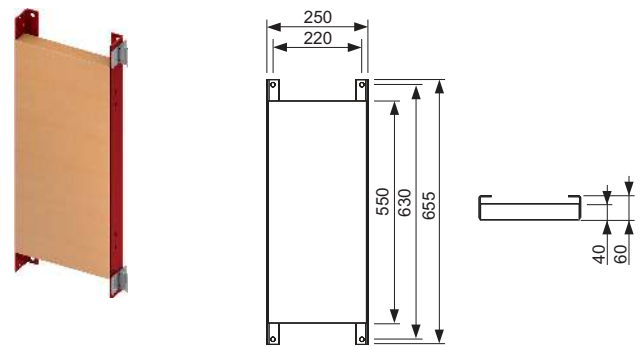
| Item No. | DU 1 | DU 2 | DU 3 |
|----------|-------|--------|--------|
| 9360000 | 1 pc. | 14 pc. | 28 pc. |

TECEprofil mounting plate for safety arm support and support systems

For the stable fixing of support handles and holding systems in a TECEprofil supporting structure or a UA profile stud wall.

Pre-assembled unit, consisting of:

- Attachment plate for screwing to a TECEprofil universal module, of water-tight glued veneer
- Two multi-clamps for fixing to the TECEprofil supporting structure



| Item No. | DU 1 |
|----------|-------|
| 9042003 | 1 pc. |

TECEprofil module attachment with depth adjustment and quick closure

To attach modules to a solid structural wall and to the TECEprofil section tube, installation spacing 150-240 mm.

Consisting of:

- Two depth-adjustable module attachments
- Mounting materials



| Item No. | DU 1 | DU 2 |
|----------|-------|--------|
| 9380014 | 1 pc. | 15 pc. |

TECE wall attachment 90°

Single module attachment to fasten a module to a stable wall.



| Item No. | DU 1 | DU 2 |
|----------|-------|--------|
| 9380300 | 1 pc. | 20 pc. |

TECEprofil – Accessories

TECE wall attachment 45°

Module attachment to fasten a module to a solid structural wall at a 45° angle.

Consisting of:

- Two wall brackets 45°
- Fixing material



| Item No. | DU 1 | DU 2 |
|----------|-------|--------|
| 9380301 | 1 pc. | 20 pc. |

TECE hanger bolts for solid walls

Module attachment using hanger bolts in front of solid walls, for supporting structure depth of 145-175 mm.

Consisting of:

- Two hanger bolts with dowels
- Four flange nuts



| Item No. | DU 1 | DU 2 |
|----------|--------|--------|
| 9380007 | 10 pc. | 40 pc. |

TECE mounting set for UA profile walls

Fixing material to attach TECEprofil modules to lateral UA profiles, suitable for UA profiles 50 to DIN 18182 Part 1.

Consisting of:

- Four bolts with nuts
- Eight washers



| Item No. | DU 1 | DU 2 |
|----------|-------|-------|
| 9380006 | 1 set | 5 set |

TECE mounting set for wooden stud walls

Fixing material to attach TECE modules to lateral stud structures.

Consisting of:

- Four hexagonal head wood screws
- Four washers



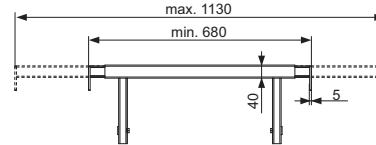
| Item No. | DU 1 | DU 2 |
|----------|-------|-------|
| 9380005 | 1 set | 5 set |

TECE panel kit for niches

Drain top for TECE modules for assembly and attachment in niches of 680-1130 mm, inclusive mounting materials.

Note:

Panel kit can only be used in combination with front actuation.



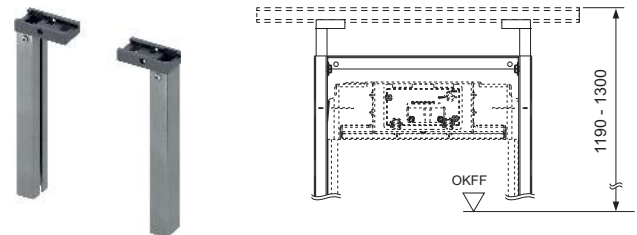
| | |
|-----------------|-------------|
| Item No. | DU 1 |
| 9380013 | 1 pc. |

TECEprofil telescopic attachment for modules

To extend the lateral module braces and to fix to a horizontal TECEprofil brace.

Consisting of:

- Two height-adjustable module attachments
- Mounting material for fitting to TECEprofil section tube



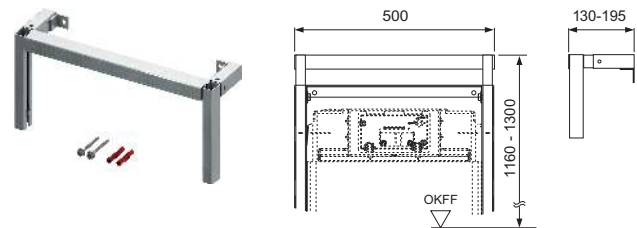
| | |
|-----------------|-------------|
| Item No. | DU 1 |
| 9380001 | 1 pc. |

TECE height-adjustable module attachment for individual assembly

To attach TECE modules to a solid or lightweight wall. Makes it possible to adjust the depth and height of the storage surfaces.

Completely pre-assembled unit, consisting of:

- Assembly crossbeam with galvanised surface
- Two wall attachments, height-adjustable, for adjustment to tile pattern
- Mounting material for assembly in front of the wall



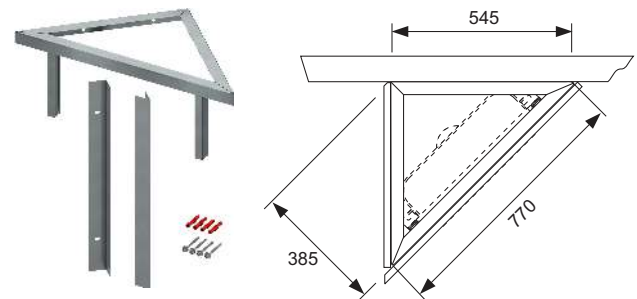
| | |
|-----------------|-------------|
| Item No. | DU 1 |
| 9380002 | 1 pc. |

TECE module attachment for wall corner installation

To attach TECE modules to a solid or lightweight wall at a 45° angle. Only one side needs to be screwed to the wall.

Completely pre-assembled unit, consisting of:

- Assembly crossbeam with galvanised surface, height-adjustable, for adaptation to tile pattern
- Galvanised light weight wall profile to attach panel facing
- Mounting material for assembly on the wall



| | |
|-----------------|-------------|
| Item No. | DU 1 |
| 9380004 | 1 pc. |

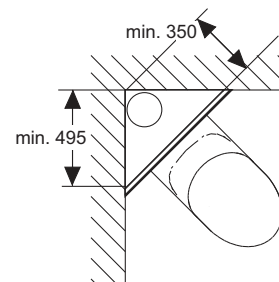
TECEprofil – Accessories

TECEprofil module attachment for variable corner installation

To attach TECE modules in front of a structural corner. Space-saving corner assembly, incl. fitting of downpipes, ventilation pipes or supply pipes behind the module, is an option with all modules.

Consisting of:

- Two wall attachments for corner assembly, variable elbow
- Mounting material for assembly in front of the wall



| Item No. | DU 1 | DU 2 |
|----------|-------|-------|
| 9380003 | 1 set | 5 set |

TECE steel brace set

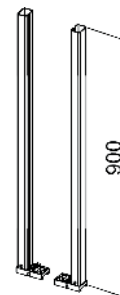
For additional support in module frames for toilet ceramics with a reduced supporting surface (= distance from middle of attachment bolt to lower edge of supporting surface is not greater than 18 cm) - e.g. V & B Memento and Subway 2.0. Suitable for TECE dry-wall modules with Uni 750, Uni or Base cisterns.



| Item No. | DU 1 |
|----------|-------|
| 9041029 | 1 pc. |

TECEprofil module feet, extended design

To install in TECEprofil modules with floor extensions from min. 20 cm and max. 50 cm. Galvanised version with TECEprofil module foot, consisting of 2 module feet.

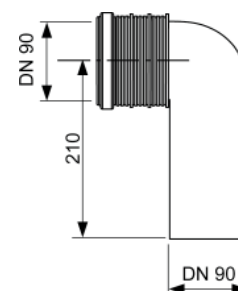


| Item No. | DU 1 |
|----------|-------|
| 9030028 | 1 pc. |

TECE 90° toilet connection elbow – DN 90/90

Toilet connection elbow, to connect a toilet module to a DN 90 drain, adjustable to three depths.

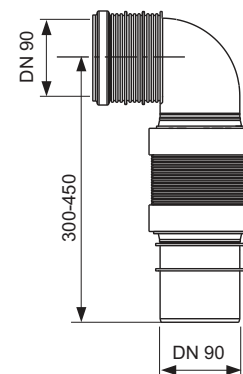
| Version | Item No. | DU 1 | DU 2 |
|---------|----------|-------|--------|
| PE-HD | 9820315 | 1 pc. | 20 pc. |
| PP | 9820134 | 1 pc. | - |



TECE toilet connection elbow DN 90, flexible

Flexible drain bend DN 90, connection piece material PE-HD (weldable).

| Item No. | DU 1 | DU 2 |
|----------|-------|--------|
| 9820317 | 1 pc. | 80 pc. |



TECE toilet connection set DN 90

Toilet connection set for wall-mounted toilets.

Consisting of:

- Waste water connection pipe with seal
- Flush pipe connection with seal
- Toilet mounting set with caps

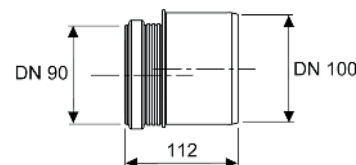
| Version | Length | Item No. | DU 1 | DU 2 |
|---------|--------|----------|-------|---------|
| PP | 200 mm | 9820057 | 1 pc. | 250 pc. |
| PE | 300 mm | 9820214 | 1 pc. | - |
| PE | 400 mm | 9820305 | 1 pc. | - |



TECE toilet connector, DN 90/100

Toilet connector to connect toilet modules horizontally to a DN 100 drain pipe.

| Version | Item No. | DU 1 | DU 2 |
|---------|----------|-------|---------|
| PP | 9820136 | 1 pc. | 500 pc. |
| PVC | 9820137 | 1 pc. | 10 pc. |
| PE-HD | 9820316 | 1 pc. | 50 pc. |



TECE flush pipe for odour extraction

Replacement flush pipe for connecting an odour extraction system for Uni and Base cisterns.

| Version | Item No. | DU 1 |
|--------------------|----------|-------|
| DN 70 "right", 90° | 9820078 | 1 pc. |
| DN 70 "left", 90° | 9820126 | 1 pc. |
| DN 50 "right", 45° | 9820127 | 1 pc. |



TECE toilet connection set split-level 25 mm, DN 90

PE connection set split-level 25 mm for wall-hung toilets, DN 90, including mounting materials.

Note:

Without warranty, may lead to reduced non-standard flushing performance.

| Item No. | DU 1 | DU 2 |
|----------|-------|--------|
| 9880073 | 1 set | 10 set |



TECEprofil – Accessories

TECE upgrade set for shower toilet seats

Sound-insulated shell set for installation on all TECEprofil dry-wall modules; suitable for preparing water and power connection for shower toilet seats e.g. Duravit SensoWash D-Code and SensoWash Starck, TOTO Washlet Giovanni-ni/GL 2.0/EK 2.0, AquaClean 4000/5000/5000plus, V & B ViClean U.

Shell set consisting of:

- Hollow-wall box
- Retaining plate for hollow-wall box, for lateral assembly on the module frame
- Wall disk 1/2" x 1/2" incl. sound insulation
- Retaining plate for wall disk
- Seal sleeve
- Fixing screws



| Item No. | DU 1 |
|----------|-------|
| 9880037 | 1 pc. |

TECE upgrade set for TOTO Washlet SG 2.0

Sound-insulated shell set for installation on all TECEprofil dry-wall modules; suitable for preparing a water connection for Toto Washlet SG 2.0.

Shell set consisting of:

- Wall disk 1/2" x 1/2" including sound insulation
- Retaining plate for wall disk
- Sealing sleeve
- Fixing screws



| Item No. | DU 1 |
|----------|-------|
| 9880049 | 1 pc. |

TECE water connection for shower toilet

Replacement reinforced hose with integrated T-piece for Uni cisterns, including 3/8" plastic adapter for filling valve F 10.



| Item No. | DU 1 |
|----------|-------|
| 9880036 | 1 pc. |

TECE fine assembly set for shower toilet module

Fine installation set for Uni cistern for connecting a shower toilet to a TECE toilet module with pre-mounted conduit or funnel.

Scope of supply:

- Reinforced hose 3/8" IG, long
- Reinforced hose including 3/8" T-piece with OT
- Screw coupling 3/8" OT
- 3/8" plastic adapter for filling valve F 10
- 3/8" elbow



| Version | Item No. | DU 1 |
|-----------------------|----------|-------|
| Module height 1120 mm | 9880052 | 1 pc. |
| Module height 980 mm | 9880053 | 1 pc. |
| Module height 820 mm | 9880054 | 1 pc. |

TECE fine installation set for shower toilet for hygiene module/hygienic cistern

Fine installation set for connecting a shower toilet to a TECE toilet module with integrated hygiene flush.

Scope of delivery:

- Reinforced hose 3/8" IT, long
- Reinforced hose incl. 3/8" tee with OT
- Threaded coupling 3/8" OT
- 3/8" angle



| Item No. | DU 1 |
|----------|-------|
| 9820616 | 1 pc. |

TECE upgrade set dry-wall for TECE shower toilets

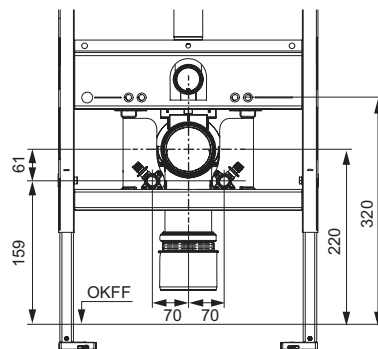
Sound-decoupled shell construction set for pre-fitting dry-wall modules with Uni and Base cisterns for the water connection of a TECE shower toilet.

Shell set consisting of:

- Holding plates for hot and cold water connections
- Sound insulation for wall discs
- Fixing screws for wall discs
- Safety pins for holding plates



| Item No. | DU 1 | DU 2 |
|----------|-------|---------|
| 9880046 | 1 pc. | 100 pc. |



TECEprofil – Accessories

TECE upgrade set dry-wall 8 cm for TECE shower toilets

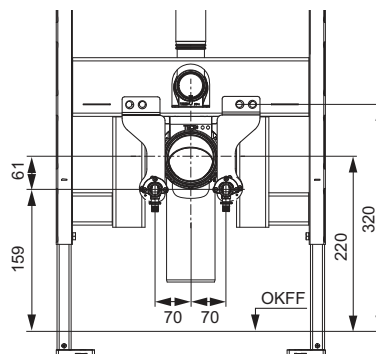
Sound-decoupled shell construction set for pre-fitting dry-wall modules with Octa II and Base 8 cisterns for the water connection of a TECE shower toilet.

Shell set consisting of:

- Holding plates for hot and cold water connection
- Sound protection elements for wall discs
- Attachment screws for wall discs
- Two M 12 x 20 screws incl. spacer sleeves



| | | |
|----------|------|-------|
| Item No. | | DU 1 |
| 9880056 | SALE | 1 pc. |



TECE dry-wall construction upgrade set 8 cm for TECE shower toilets, **NEW** depth-adjustable

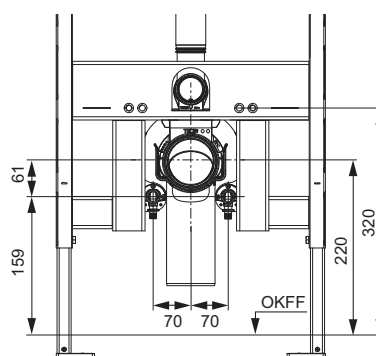
Sound-insulated shell set for pre-fitting dry-wall modules with Octa II and Base 8 cisterns for the water connection of a TECE shower toilet, depth-adjustable.

Shell set consisting of:

- Holding plates for hot and cold water connections
- Sound-proofing elements for wall discs
- Fastening screws for wall discs
- Two screws including spacer sleeves



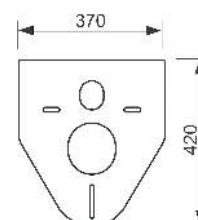
| | | |
|----------|-----|-------|
| Item No. | | DU 1 |
| 9880082* | NEW | 1 pc. |



TECE sound-insulation kit for toilet and bidet

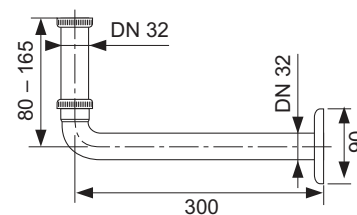
Sound insulation kit for sound insulation between the toilet or bidet ceramics and tile layer.

| | | | |
|----------|-------|--------|--------|
| Item No. | DU 1 | DU 2 | DU 3 |
| 9200010 | 1 pc. | 10 pc. | 50 pc. |



TECE connection bend for concealed odour trap

Connection bend 1 1/4" x DN 32 with height-adjustable immersion pipe and covering anchor plate, chrome-plated brass.



| Item No. | DU 1 | DU 2 |
|----------|-------|--------|
| 9080001 | 1 pc. | 30 pc. |

TECE inlet fittings for urinal

Set consisting of:

- 1/2" connection piece
- Urinal connector



| Item No. | DU 1 |
|----------|-------|
| 9820055 | 1 pc. |

TECE urinal suction siphon

Urinal suction siphon for horizontal drain, for connection to DN 50, with seal.



| Item No. | DU 1 |
|----------|-------|
| 9820338 | 1 pc. |

TECE corner valve key

For assembly/disconnection of corner valve in TECE cistern, with holder for 1/2" or 1/4" ratchet.



| Item No. | DU 1 |
|----------|-------|
| 9820264 | 1 pc. |

TECE insert chute II for cleaning tablets (TECElux Mini, TECESquare glass, TECEvelvet, TECEloop and TECEnow)

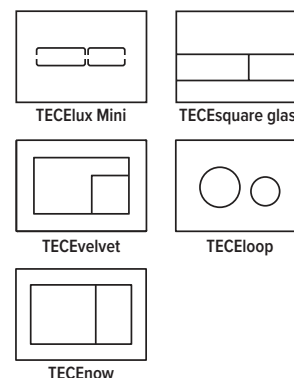
For inserting toilet cleaning tablets into Uni and Base cisterns; in combination with TECElux Mini, TECESquare glass, TECEvelvet, TECEloop and TECEnow flush plates; for installation from the front; suitable for flush-mounted installation.

Use in brick-wall construction from 22 mm wall structure.

Maximum wall structure: 79 mm dry-wall construction, 98 mm brick-wall construction

Attention:

- The cleaning tablets used must not contain chlorine or any other oxidizing components.
- Not compatible with TECEflushpoint pneumatic remote release.



| Item No. | DU 1 |
|----------|-------|
| 9240951 | 1 pc. |

TECEprofil – Accessories

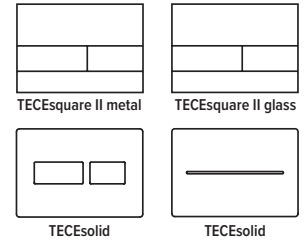
TECE insert chute II for cleaning tablets (TECESquare II metal, TECESquare II glass and TECESolid)

For inserting toilet cleaning tablets into Uni and Base cisterns; in combination with TECESquare II metal, TECESquare II glass and TECESolid flush plates; for installation from the front; suitable for flush-mounted installation in conjunction with the TECESquare II glass and the TECESolid spacing frame.

Use in brick-wall construction from 32 mm wall structure.
Maximum wall structure: 89 mm dry-wall construction, 108 mm brick-wall construction

Attention:

- The cleaning tablets used must not contain chlorine or any other oxidizing components.
- Not compatible with TECEflushpoint pneumatic remote release.



| | |
|-----------------|-------------|
| Item No. | DU 1 |
| 9240952 | 1 pc. |

TECE drain valve A 2

Drain valve for combination with Uni and Base cisterns, including valve seat, red and blue throttles and operating levers.

| | |
|-----------------|-------------|
| Item No. | DU 1 |
| 9820223 | 1 pc. |



TECE drain valve A 6 for Uni 750-cistern

| | |
|-----------------|-------------|
| Item No. | DU 1 |
| 9820588 | 1 pc. |



TECE filling valve F 10 universal

Universal filling valve for installation in all TECE cisterns as well as almost all standard flush-mounted and wall-mounted cisterns from other manufacturers.

Product details:

- 3/8" metal connection thread
- Flow pressure 0.5-10 bar
- Minimum flow pressure 0.5 bar
- Adjustable fill height
- Adjustable outflow pipe
- Low-noise in accordance with group I (DIN 4109)
- Compact design
- Incl. adapter and attachment nut
- Tested according to EN 14124



| | | | |
|-----------------|-------------|-------------|-------------|
| Item No. | DU 1 | DU 2 | DU 3 |
| 9820353 | 1 pc. | 10 pc. | 240 pc. |

TECE throttle set for Uni and Base cisterns

Throttle set to adapt the Uni and Base cistern flushing pressure, installs in valve seat of drain valve, diameter 46-28 mm.

| Item No. | DU 1 | DU 2 |
|----------|-------|---------|
| 9820337* | 1 pc. | 100 pc. |



TECE throttle set for Octa II, Base 8, Base 320 and Compact 320 cisterns

Throttle set for adjusting the flush pressure for Octa II, Base 8, Base 320 and Compact 320 cisterns, installation in the valve seat of the drain valve, diameter 32-28 mm.

| Item No. | DU 1 |
|----------|-------|
| 9820394 | 1 pc. |



TECE drain valve A 5

Drain valve for combination with Octa II, Base 8, Compact 320 and Base 320 cisterns, including valve seat and throttle.

| Item No. | DU 1 |
|----------|-------|
| 9820561 | 1 pc. |



TECE valve seat with adjustable flush flow throttle

Valve seat with adjustable flush flow throttle for the drain valve A 2 in Uni and Base cisterns.

| Item No. | DU 1 |
|----------|-------|
| 9820670 | 1 pc. |



* Not in combination with Octa cistern, 8 cm

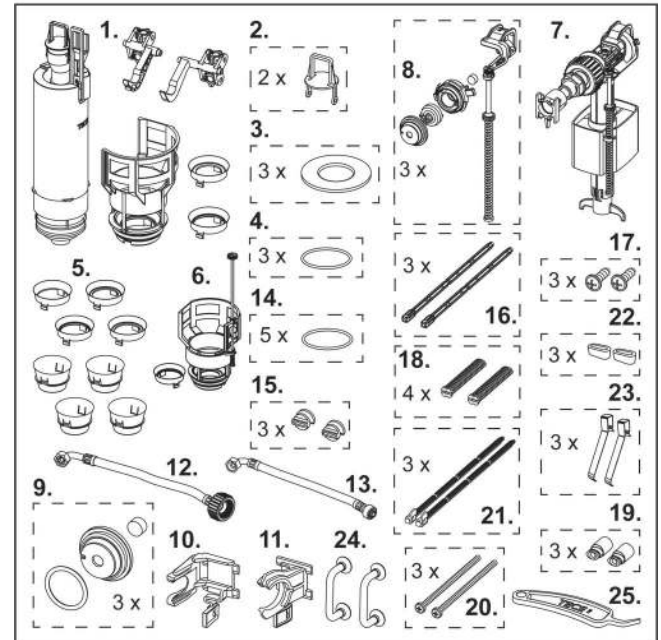
TECEprofil – Spare parts case

TECE spare parts case for Uni cistern

Plastic assortment case with spare parts for the Uni cistern.



| Pos. | Item No. | Designation | Quantity |
|------|----------|--|----------|
| 1 | 9820223 | Drain valve A 2 | 1 |
| 2 | 9820222 | Draw eyelet | 2 |
| 3 | 9820233 | Gasket (drain valve) | 3 |
| 4 | 9820005 | O-ring (valve seat) | 3 |
| 5 | 9820337* | Throttle set for Uni and Base cisterns | 1 |
| 6 | 9820670 | Valve seat with adjustable flush flow throttle | 1 |
| 7 | 9820353 | Filling valve F 10 universal | 1 |
| 8 | 9820382 | Filling valve F 10 valve lever set | 3 |
| 9 | 9820383 | Filling valve F 10 sealing kit | 3 |
| 10 | 9820372 | Filling valve holder for Uni cistern (17 mm, 3/8", up to 2019) | 1 |
| 11 | 9820373 | Filling valve holder for Uni cistern (27 mm, M 30, from 2020) | 1 |
| 12 | 9820374 | Reinforced hose M 30 (from 2020) | 1 |
| 13 | 9820026 | Reinforced hose 3/8" (until 2019) | 1 |
| 14 | 9820025 | O-ring | 5 |
| 15 | 9820018 | Clamping screws | 3 |
| 16 | 9820022 | Actuation rods (2003-2020) | 3 |
| 17 | 9820263 | Fastening screws (2003-2020) | 3 |
| 18 | 9820019 | Attaching rods (2003-2020) | 4 |
| 19 | 9820496 | "easy fit" attachment (from 2021) | 3 |
| 20 | 9820497 | "easy fit" attachment screws (from 2021) | 3 |
| 21 | 9820498 | "easy fit" actuation rods (from 2021) | 3 |
| 22 | 9820024 | Rubber buffer, set of two | 3 |
| 23 | 9820020 | Push-button springs, set of two | 3 |
| 24 | 9820180 | Bow-type handles | 1 |
| 25 | 9820390 | Dismounting and programming key | 1 |



| Item No. | DU 1 |
|----------|-------|
| 9820000 | 1 pc. |

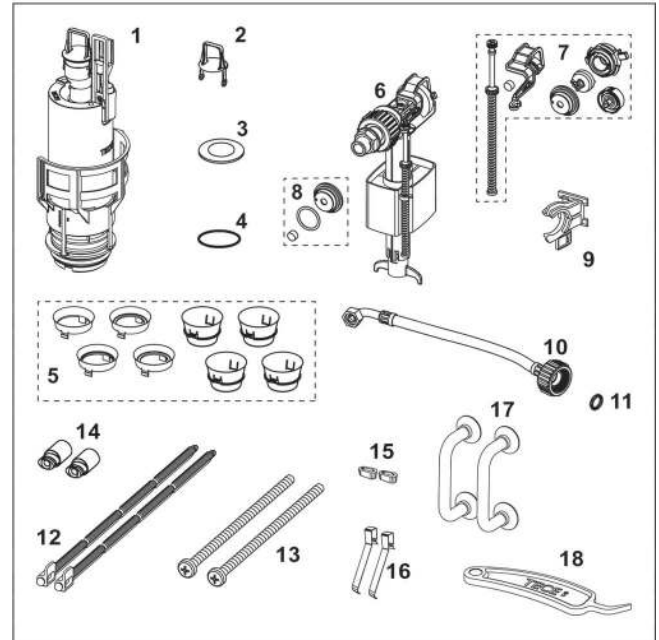
TECEprofil spare parts case for Uni 750-cistern

Plastic assortment case with spare parts for the Uni 750-cistern.



| Pos. | Item No. | Designation | Quantity |
|------|----------|---|----------|
| 1 | 9820588 | Drain valve A 6 | 1 |
| 2 | 9820222 | Draw eyelet | 2 |
| 3 | 9820233 | Gasket (drain valve) | 5 |
| 4 | 9820005 | O-ring (valve seat) | 10 |
| 5 | 9820337* | Throttle set for for Uni and Base cisterns | 1 |
| 6 | 9820353 | Filling valve F 10 universal | 10 |
| 7 | 9820382 | Filling valve F 10 valve lever set | 3 |
| 8 | 9820383 | Filling valve F 10 sealing kit | 1 |
| 9 | 9820373 | Filling valve holder for Uni cistern (27 mm, M 30, from 2020) | 2 |
| 10 | 9820596 | Reinforced hose M 30 Uni 750-cistern | 1 |
| 11 | 9820025 | O-ring | 1 |
| 12 | 9820498 | "easy fit" actuation rods (from 2021) | 5 |
| 13 | 9820497 | "easy fit" attachment screws (from 2021) | 9 |
| 14 | 9820496 | "easy fit" attachment (from 2021) | 4 |
| 15 | 9820024 | Rubber buffer, set of two | 10 |
| 16 | 9820020 | Push-button springs, set of two | 10 |
| 17 | 9820180 | Bow-type handles | 1 |
| 18 | 9820390 | Dismounting and programming key | 1 |

| Item No. | DU 1 |
|----------|-------|
| 9820599 | 1 pc. |



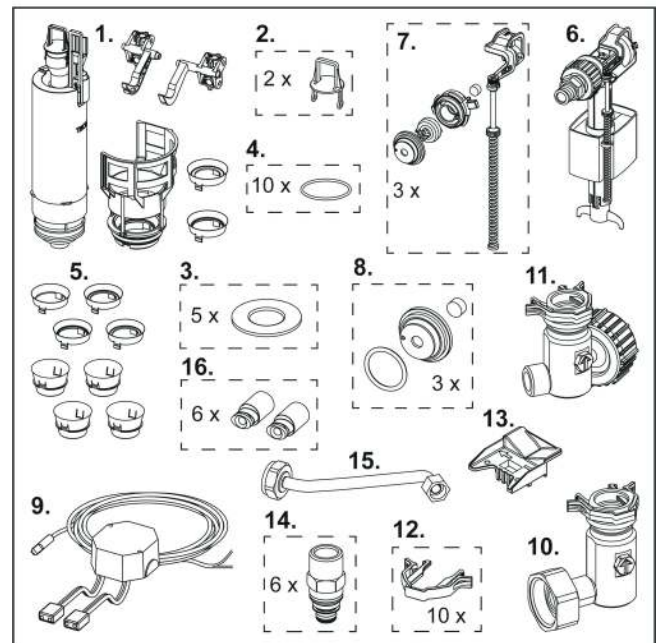
TECE spare parts case for cistern with hygiene flushing function

Plastic assortment case with spare parts for the Uni cistern with integrated hygiene flushing function.



| Pos. | Item No. | Designation | Quantity |
|------|----------|--|----------|
| 1 | 9820223 | Drain valve A 2 | 1 |
| 2 | 9820222 | Draw eyelet | 2 |
| 3 | 9820233 | Gasket (drain valve) | 5 |
| 4 | 9820005 | O-ring (valve seat) | 10 |
| 5 | 9820337* | Throttle set for for Uni and Base cisterns | 1 |
| 6 | 9820353 | Filling valve F 10 universal | 1 |
| 7 | 9820382 | Filling valve F 10 valve lever set | 3 |
| 8 | 9820383 | Filling valve F 10 sealing kit | 3 |
| 9 | 9810010 | Transformer including connection cable | 1 |
| 10 | 9820442 | Shut-off valve 3-way | 1 |
| 11 | 9820443 | Shut-off valve 4-way | 1 |
| 12 | 9820381 | Safety clip for 3-way corner valve | 10 |
| 13 | 9820472 | Hold-down device for Base-cistern | 1 |
| 14 | 9820378 | Water connection nipple 1/2" for Base and Compact cisterns | 6 |
| 15 | 9820573 | Connecting pipe for hygiene flush unit | 1 |
| 16 | 9820496 | "easy fit" attachment (from 2021) | 6 |

| Item No. | DU 1 |
|----------|-------|
| 9820589 | 1 pc. |

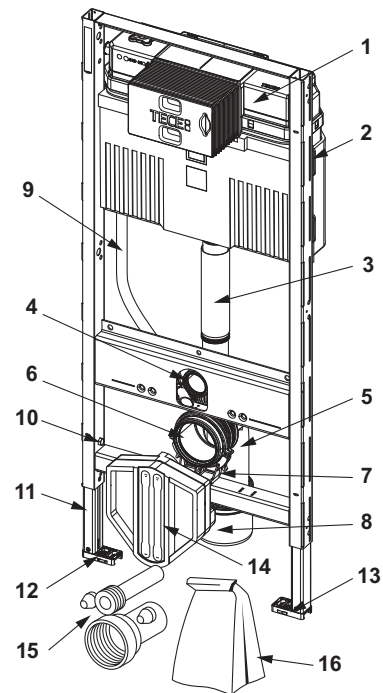


TECEprofil – Spare parts

9300300 – TECEprofil toilet module with Uni cistern, installation height 1120 mm

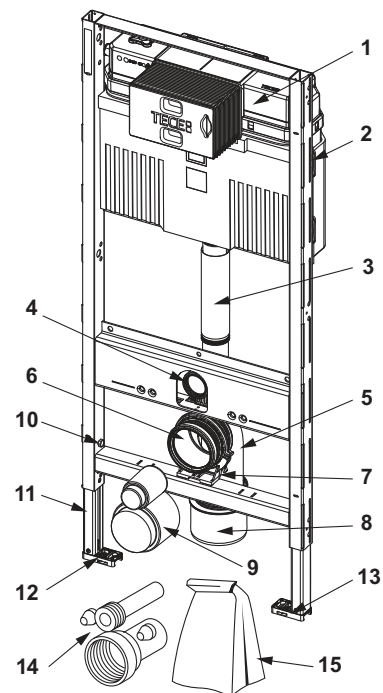
9300379 – TECEprofil toilet module with Uni cistern for universal connection of a shower toilet, installation height 1120 mm

| Pos. | Item No. | Designation | DU 1 |
|------|----------|---|-------|
| 1 | 9820103 | Uni cistern 1120 mm | 1 pc. |
| 2 | 9820040 | Assembly kit for Uni cistern | 1 pc. |
| 3 | 9820011 | Flush pipe with O-ring, length 269 mm, dry-wall construction | 1 pc. |
| 4 | 9820015 | Flush pipe seal | 1 pc. |
| 5 | 9820134 | Toilet drain bend DN 90 (PP) | 1 pc. |
| 6 | 9820139 | Seal for drain bend DN 90 | 1 pc. |
| 7 | 9820348 | Toilet drain bend holder complete, mounting on crossbeam at bottom (from 04/2017) | 1 pc. |
| 8 | 9820136 | Toilet connector, DN 90/100, PP | 1 pc. |
| 9 | 9820569 | Attachment clips and conduit | 1 pc. |
| 10 | 9820447 | Foot brake with steel spring | 1 pc. |
| 11 | 9820335 | C-section for module foot | 1 pc. |
| 12 | 9820332 | Module foot with toggle left | 1 pc. |
| 13 | 9820333 | Module foot with toggle right | 1 pc. |
| 14 | 9820568 | WC connection box | 1 pc. |
| 15 | 9820057 | Toilet connection set, DN 90 | 1 pc. |
| 16 | 9820043 | By-pack for toilet module | 1 pc. |



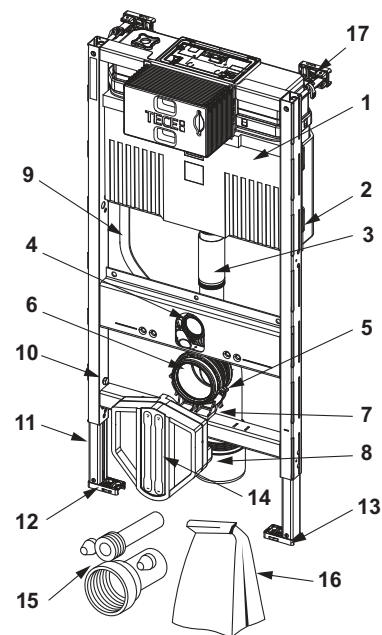
9300302 – TECEprofil toilet module with Uni cistern, installation height 1120 mm

| Pos. | Item No. | Designation | DU 1 |
|------|----------|---|-------|
| 1 | 9820103 | Uni cistern 1120 mm | 1 pc. |
| 2 | 9820040 | Assembly kit for Uni cistern | 1 pc. |
| 3 | 9820011 | Flush pipe with O-ring, length 269 mm, dry-wall construction | 1 pc. |
| 4 | 9820015 | Flush pipe seal | 1 pc. |
| 5 | 9820134 | Toilet drain bend DN 90 (PP) | 1 pc. |
| 6 | 9820139 | Seal for drain bend DN 90 | 1 pc. |
| 7 | 9820348 | Toilet drain bend holder complete, mounting on crossbeam at bottom (from 04/2017) | 1 pc. |
| 8 | 9820136 | Toilet connector, DN 90/100, PP | 1 pc. |
| 9 | 9820312 | Bare wall toilet plug for flush pipe and drain bend | 1 pc. |
| 10 | 9820447 | Foot brake with steel spring | 1 pc. |
| 11 | 9820335 | C-section for module foot | 1 pc. |
| 12 | 9820332 | Module foot with toggle left | 1 pc. |
| 13 | 9820333 | Module foot with toggle right | 1 pc. |
| 14 | 9820057 | Toilet connection set, DN 90 | 1 pc. |
| 15 | 9820043 | By-pack for toilet module | 1 pc. |



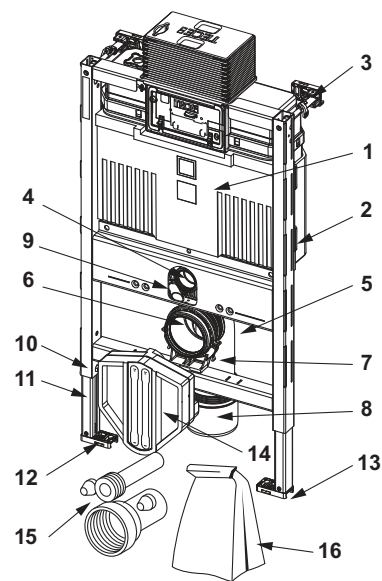
9300322 – TECEprofil toilet module with Uni cistern, installation height 980 mm

| Pos. | Item No. | Designation | DU 1 |
|------|----------|---|-------|
| 1 | 9820101 | Uni cistern 980 mm | 1 pc. |
| 2 | 9820040 | Assembly kit for Uni cistern | 1 pc. |
| 3 | 9820099 | Shortened flush pipe, length 185 mm | 1 pc. |
| 4 | 9820015 | Flush pipe seal | 1 pc. |
| 5 | 9820134 | Toilet drain bend DN 90 (PP) | 1 pc. |
| 6 | 9820139 | Seal for drain bend DN 90 | 1 pc. |
| 7 | 9820348 | Toilet drain bend holder complete, mounting on crossbeam at bottom (from 04/2017) | 1 pc. |
| 8 | 9820136 | Toilet connector, DN 90/100, PP | 1 pc. |
| 9 | 9820569 | Attachment clips and conduit | 1 pc. |
| 10 | 9820447 | Foot brake with steel spring | 1 pc. |
| 11 | 9820335 | C-section for module foot | 1 pc. |
| 12 | 9820332 | Module foot with toggle left | 1 pc. |
| 13 | 9820333 | Module foot with toggle right | 1 pc. |
| 14 | 9820568 | WC connection box | 1 pc. |
| 15 | 9820057 | Toilet connection set, DN 90 | 1 pc. |
| 16 | 9820043 | By-pack for toilet module | 1 pc. |
| 17 | 9380014 | Module attachment with quick closure | 1 pc. |



9300301 – TECEprofil toilet module with Uni cistern, installation height 820 mm

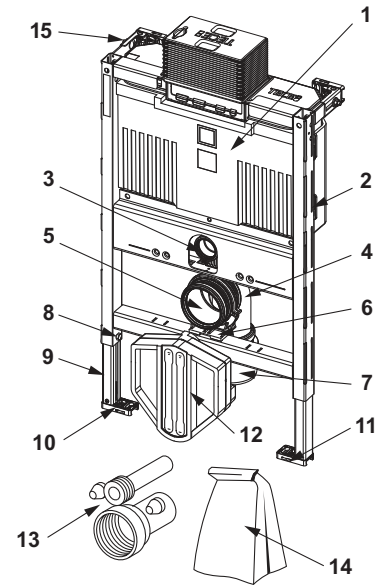
| Pos. | Item No. | Designation | DU 1 |
|------|----------|---|-------|
| 1 | 9820100 | Uni cistern 820 mm | 1 pc. |
| 2 | 9820040 | Assembly kit for Uni cistern | 1 pc. |
| 3 | 9380014 | Module attachment with quick closure | 1 pc. |
| 4 | 9820015 | Flush pipe seal | 1 pc. |
| 5 | 9820134 | Toilet drain bend DN 90 (PP) | 1 pc. |
| 6 | 9820139 | Seal for drain bend DN 90 | 1 pc. |
| 7 | 9820348 | Toilet drain bend holder complete, mounting on crossbeam at bottom (from 04/2017) | 1 pc. |
| 8 | 9820136 | Toilet connector, DN 90/100, PP | 1 pc. |
| 9 | 9820569 | Attachment clips and conduit | 1 pc. |
| 10 | 9820447 | Foot brake with steel spring | 1 pc. |
| 11 | 9820335 | C-section for module foot | 1 pc. |
| 12 | 9820332 | Module foot with toggle left | 1 pc. |
| 13 | 9820333 | Module foot with toggle right | 1 pc. |
| 14 | 9820568 | WC connection box | 1 pc. |
| 15 | 9820057 | Toilet connection set, DN 90 | 1 pc. |
| 16 | 9820043 | By-pack for toilet module | 1 pc. |



TECEprofil – Spare parts

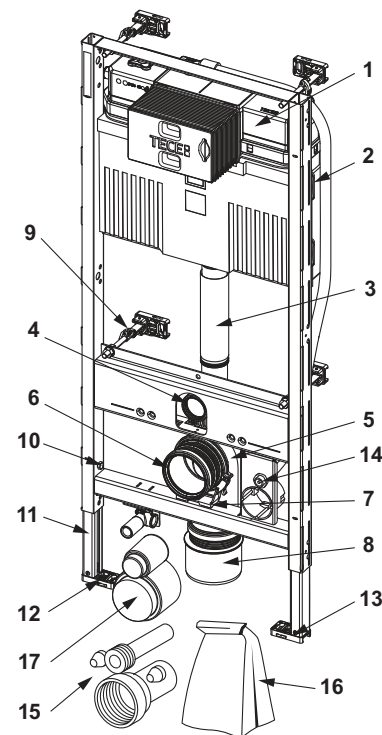
9300291 – TECEprofil toilet module with Uni 750-cistern, installation height 750 mm

| Pos. | Item No. | Designation | DU 1 |
|------|----------|---|-------|
| 1 | 9820633 | Uni 750-cistern | 1 pc. |
| 2 | 9820040 | Assembly kit for Uni cistern | 1 pc. |
| 3 | 9820015 | Flush pipe seal | 1 pc. |
| 4 | 9820134 | Toilet drain bend DN 90 (PP) | 1 pc. |
| 5 | 9820139 | Seal for drain bend DN 90 | 1 pc. |
| 6 | 9820348 | Toilet drain bend holder complete, mounting on crossbeam at bottom (from 04/2017) | 1 pc. |
| 7 | 9820136 | Toilet connector, DN 90/100, PP | 1 pc. |
| 8 | 9820447 | Foot brake with steel spring | 1 pc. |
| 9 | 9820335 | C-section for module foot | 1 pc. |
| 10 | 9820332 | Module foot with toggle left | 1 pc. |
| 11 | 9820333 | Module foot with toggle right | 1 pc. |
| 12 | 9820592 | Bare-wall protection for shower-toilet connection Uni 750-cistern | 1 pc. |
| 13 | 9820057 | Toilet connection set, DN 90 | 1 pc. |
| 14 | 9820043 | By-pack for toilet module | 1 pc. |
| 15 | 9820634 | Module attachment with depth adjustment | 1 pc. |



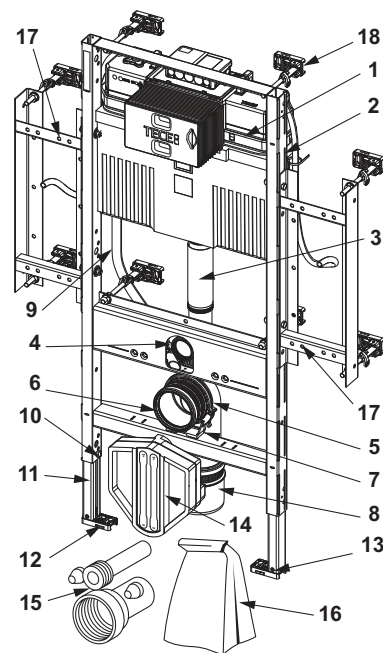
9300344 – TECEprofil toilet module TECEprofil with Uni cistern, for TOTO Neorest Washlet (WC) AC 2.0/EW 2.0, installation height 1120 mm

| Pos. | Item No. | Designation | DU 1 |
|------|----------|---|-------|
| 1 | 9820103 | Uni cistern 1120 mm | 1 pc. |
| 2 | 9820040 | Assembly kit for Uni cistern | 1 pc. |
| 3 | 9820011 | Flush pipe with O-ring, length 269 mm, dry-wall construction | 1 pc. |
| 4 | 9820015 | Flush pipe seal | 1 pc. |
| 5 | 9820134 | Toilet drain bend DN 90 (PP) | 1 pc. |
| 6 | 9820139 | Seal for drain bend DN 90 | 1 pc. |
| 7 | 9820348 | Toilet drain bend holder complete, mounting on crossbeam at bottom (from 04/2017) | 1 pc. |
| 8 | 9820136 | Toilet connector, DN 90/100, PP | 1 pc. |
| 9 | 9380014 | Module attachment with quick closure | 1 pc. |
| 10 | 9820447 | Foot brake with steel spring | 1 pc. |
| 11 | 9820335 | C-section for module foot | 1 pc. |
| 12 | 9820332 | Module foot with toggle left | 1 pc. |
| 13 | 9820333 | Module foot with toggle right | 1 pc. |
| 14 | 9820259 | Control cable | 1 pc. |
| 15 | 9820057 | Toilet connection set, DN 90 | 1 pc. |
| 16 | 9820043 | By-pack for toilet module | 1 pc. |
| 17 | 9820312 | Bare wall toilet plug for flush pipe and drain bend | 1 pc. |



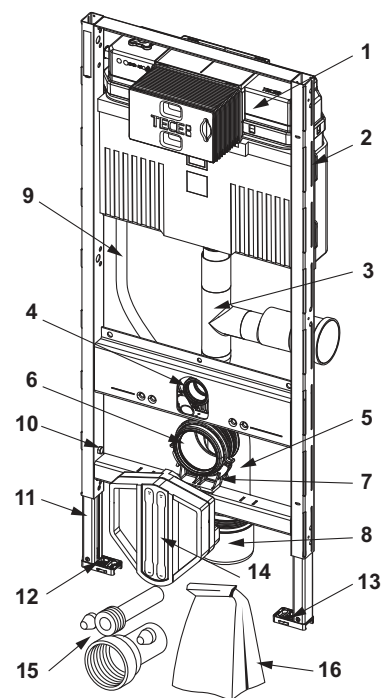
9300309 – TECEprofil WC Geronto module with Uni cistern, ceramic attachment for sitting height of 48 cm in keeping with German standard DIN 18040-1, installation height 1120 mm

| Pos. | Item No. | Designation | DU 1 |
|------|----------|---|-------|
| 1 | 9820103 | Uni cistern 1120 mm | 1 pc. |
| 2 | 9820040 | Assembly kit for Uni cistern | 1 pc. |
| 3 | 9820011 | Flush pipe with O-ring, length 269 mm, dry-wall construction | 1 pc. |
| 4 | 9820015 | Flush pipe seal | 1 pc. |
| 5 | 9820134 | Toilet drain bend DN 90 (PP) | 1 pc. |
| 6 | 9820139 | Seal for drain bend DN 90 | 1 pc. |
| 7 | 9820348 | Toilet drain bend holder complete, mounting on crossbeam at bottom (from 04/2017) | 1 pc. |
| 8 | 9820136 | Toilet connector, DN 90/100, PP | 1 pc. |
| 9 | 9820569 | Attachment clips and conduit | 1 pc. |
| 10 | 9820447 | Foot brake with steel spring | 1 pc. |
| 11 | 9820335 | C-section for module foot | 1 pc. |
| 12 | 9820332 | Module foot with toggle left | 1 pc. |
| 13 | 9820333 | Module foot with toggle right | 1 pc. |
| 14 | 9820568 | WC connection box | 1 pc. |
| 15 | 9820057 | Toilet connection set, DN 90 | 1 pc. |
| 16 | 9820043 | By-pack for toilet module | 1 pc. |
| 17 | 9820437 | Supporting frame set (pre 09/2022) | 1 pc. |
| | 9820655 | Supporting frame set (from 10/2022) | 1 pc. |
| 18 | 9380014 | Module attachment with quick closure | 1 pc. |



9300303 – TECEprofil toilet module with Uni cistern, with connection for odour extraction (DN 70), installation height 1120 mm

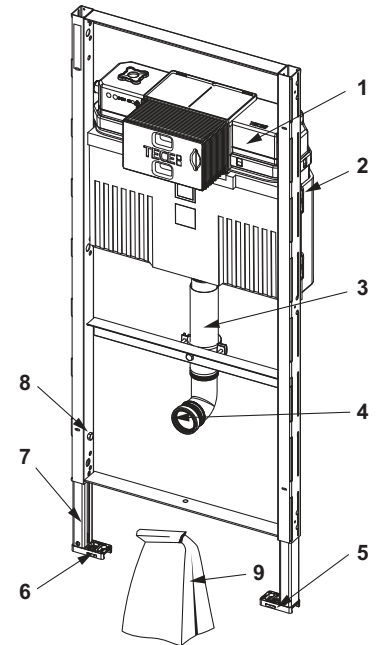
| Pos. | Item No. | Designation | DU 1 |
|------|----------|---|-------|
| 1 | 9820103 | Uni cistern 1120 mm | 1 pc. |
| 2 | 9820040 | Assembly kit for Uni cistern | 1 pc. |
| 3 | 9820078 | Flush pipe for odour extraction DN 70 right, 90° | 1 pc. |
| | 9820126 | Flush pipe for odour extraction DN 70 left, 90° | 1 pc. |
| | 9820127 | Flush pipe for odour extraction DN 50 right, 45° | 1 pc. |
| 4 | 9820015 | Flush pipe seal | 1 pc. |
| 5 | 9820134 | Toilet drain bend DN 90 (PP) | 1 pc. |
| 6 | 9820139 | Seal for drain bend DN 90 | 1 pc. |
| 7 | 9820348 | Toilet drain bend holder complete, mounting on crossbeam at bottom (from 04/2017) | 1 pc. |
| 8 | 9820136 | Toilet connector, DN 90/100, PP | 1 pc. |
| 9 | 9820569 | Attachment clips and conduit | 1 pc. |
| 10 | 9820447 | Foot brake with steel spring | 1 pc. |
| 11 | 9820335 | C-section for module foot | 1 pc. |
| 12 | 9820332 | Module foot with toggle left | 1 pc. |
| 13 | 9820333 | Module foot with toggle right | 1 pc. |
| 14 | 9820568 | WC connection box | 1 pc. |
| 15 | 9820057 | Toilet connection set, DN 90 | 1 pc. |
| 16 | 9820043 | By-pack for toilet module | 1 pc. |



TECEprofil – Spare parts

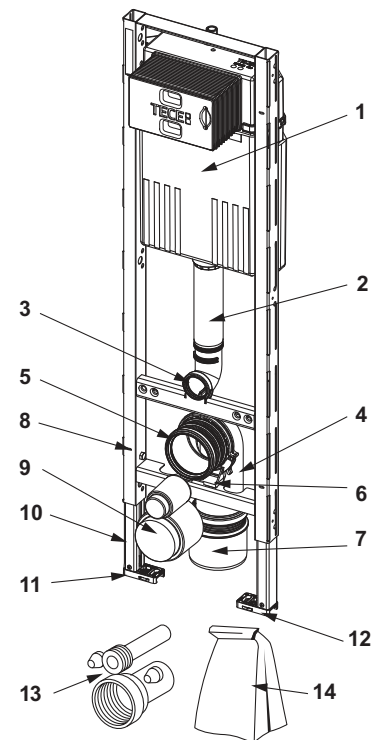
9300388 – TECEprofil toilet module "Kids" with Uni cistern, for floor-standing toilet, installation height 1120 mm

| Pos. | Item No. | Designation | DU 1 |
|------|----------|--|-------|
| 1 | 9820103 | Uni cistern 1120 mm | 1 pc. |
| 2 | 9820040 | Assembly kit for Uni cistern | 1 pc. |
| 3 | 9820011 | Flush pipe with O-ring, length 269 mm, dry-wall construction | 1 pc. |
| 4 | 9820015 | Flush pipe seal | 1 pc. |
| 5 | 9820333 | Module foot with toggle right | 1 pc. |
| 6 | 9820332 | Module foot with toggle left | 1 pc. |
| 7 | 9820335 | C-section for module foot | 1 pc. |
| 8 | 9820447 | Foot brake with steel spring | 1 pc. |
| 9 | 9820400 | By-pack for toilet module for children's standing | 1 pc. |



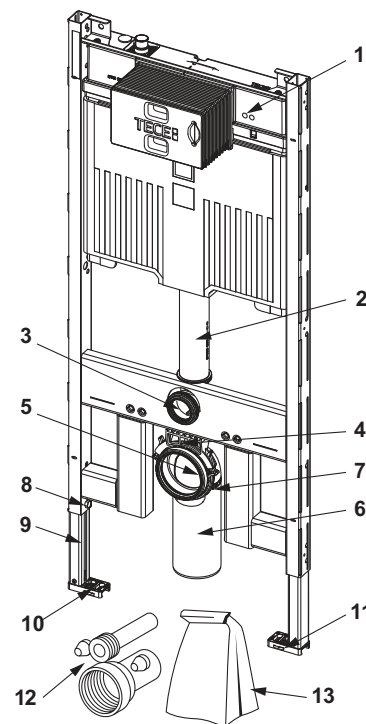
9300600 – TECEprofil toilet module with Compact 320 cistern, installation height 1120 mm

| Pos. | Item No. | Designation | DU 1 |
|------|----------|---|-------|
| 1 | 9820107 | Compact 320 cistern | 1 pc. |
| 2 | 9820668 | Flush pipe for cisterns | 1 pc. |
| 3 | 9820015 | Flush pipe seal | 1 pc. |
| 4 | 9820134 | Toilet drain bend DN 90 (PP) | 1 pc. |
| 5 | 9820139 | Seal for drain bend DN 90 | 1 pc. |
| 6 | 9820348 | Toilet drain bend holder complete, mounting on crossbeam at bottom (from 04/2017) | 1 pc. |
| 7 | 9820136 | Toilet connector, DN 90/100, PP | 1 pc. |
| 8 | 9820447 | Foot brake with steel spring | 1 pc. |
| 9 | 9820312 | Bare wall toilet plug for flush pipe and drain bend | 1 pc. |
| 10 | 9820335 | C-section for module foot | 1 pc. |
| 11 | 9820332 | Module foot with toggle left | 1 pc. |
| 12 | 9820333 | Module foot with toggle right | 1 pc. |
| 13 | 9820057 | Toilet connection set, DN 90 | 1 pc. |
| 14 | 9820494 | By-pack | 1 pc. |



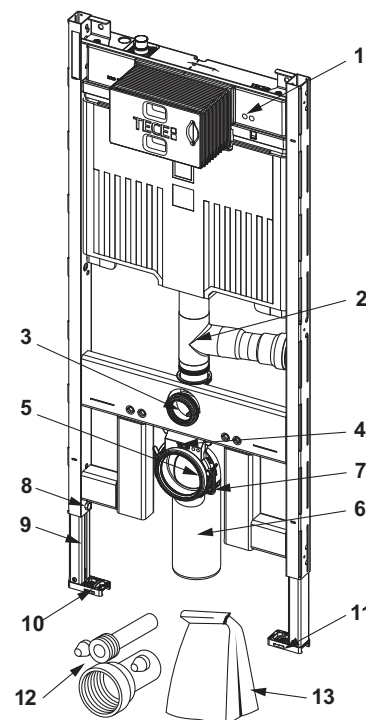
9300500 – TECEprofil toilet module with Octa II cistern, 8 cm, installation height 1120 mm

| Pos. | Item No. | Designation | DU 1 |
|------|----------|---|-------|
| 1 | 9820565 | Cistern Octa II | 1 pc. |
| 2 | 9820563 | Flush pipe Octa cistern | 1 pc. |
| 3 | 9820015 | Flush pipe seal | 1 pc. |
| 4 | 9820145 | Toilet drain bend holder for dry-wall modules, clip-bar | 1 pc. |
| 5 | 9820139 | Seal for drain bend DN 90 | 1 pc. |
| 6 | 9820150 | Toilet drain bend DN 90/90 PE-HD, for cisterns 8 cm | 1 pc. |
| 7 | 9820042 | Bracket for toilet drain bend holder | 1 pc. |
| 8 | 9820447 | Foot brake with steel spring | 1 pc. |
| 9 | 9820567 | C profile long for module foot | 1 pc. |
| 10 | 9820332 | Module foot with toggle left | 1 pc. |
| 11 | 9820333 | Module foot with toggle right | 1 pc. |
| 12 | 9820057 | Toilet connection set, DN 90 | 1 pc. |
| 13 | 9820147 | By-pack for toilet module with Octa cistern, 8 cm (mounting material, etc.) | 1 pc. |



9300501 – TECEprofil toilet module with Octa II cistern, 8 cm, with connection for odour extraction, installation height 1120 mm

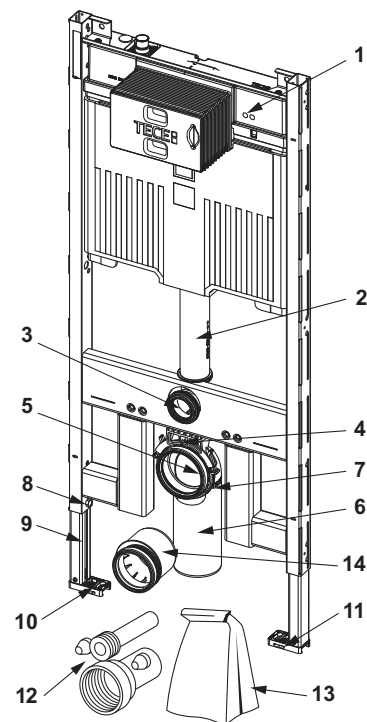
| Pos. | Item No. | Designation | DU 1 |
|------|----------|---|-------|
| 1 | 9820565 | Cistern Octa II | 1 pc. |
| 2 | 9820579 | Flush pipe for odour extraction DN 50 right, 90° | 1 pc. |
| | 9820578 | Flush pipe for odour extraction DN 50 left, 90° | 1 pc. |
| 3 | 9820015 | Flush pipe seal | 1 pc. |
| 4 | 9820145 | Toilet drain bend holder for dry-wall modules, clip-bar | 1 pc. |
| 5 | 9820139 | Seal for drain bend DN 90 | 1 pc. |
| 6 | 9820150 | Toilet drain bend DN 90/90 PE-HD, for cisterns 8 cm | 1 pc. |
| 7 | 9820042 | Bracket for toilet drain bend holder | 1 pc. |
| 8 | 9820447 | Foot brake with steel spring | 1 pc. |
| 9 | 9820567 | C profile long for module foot | 1 pc. |
| 10 | 9820332 | Module foot with toggle left | 1 pc. |
| 11 | 9820333 | Module foot with toggle right | 1 pc. |
| 12 | 9820057 | Toilet connection set, DN 90 | 1 pc. |
| 13 | 9820147 | By-pack for toilet module with Octa cistern, 8 cm (mounting material, etc.) | 1 pc. |



TECEprofil – Spare parts

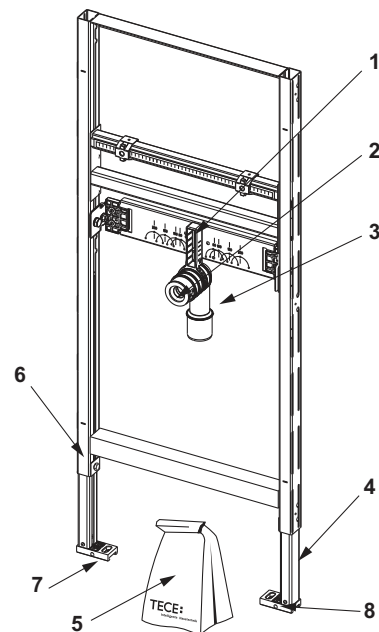
9300502 – TECEprofil toilet module with Octa II cistern 8 cm, installation height 1120 mm

| Pos. | Item No. | Designation | DU 1 |
|------|----------|---|-------|
| 1 | 9820565 | Cistern Octa II | 1 pc. |
| 2 | 9820563 | Flush pipe Octa cistern | 1 pc. |
| 3 | 9820015 | Flush pipe seal | 1 pc. |
| 4 | 9820145 | Toilet drain bend holder for dry-wall modules, clip-bar | 1 pc. |
| 5 | 9820139 | Seal for drain bend DN 90 | 1 pc. |
| 6 | 9820150 | Toilet drain bend DN 90/90 PE-HD, for cisterns 8 cm | 1 pc. |
| 7 | 9820042 | Bracket for toilet drain bend holder | 1 pc. |
| 8 | 9820447 | Foot brake with steel spring | 1 pc. |
| 9 | 9820335 | C-section for module foot | 1 pc. |
| 10 | 9820332 | Module foot with toggle left | 1 pc. |
| 11 | 9820333 | Module foot with toggle right | 1 pc. |
| 12 | 9820057 | Toilet connection set, DN 90 | 1 pc. |
| 13 | 9820147 | By-pack for toilet module with Octa cistern, 8 cm (mounting material, etc.) | 1 pc. |
| 14 | 9820136 | Toilet connector, DN 90/100, PP | 1 pc. |



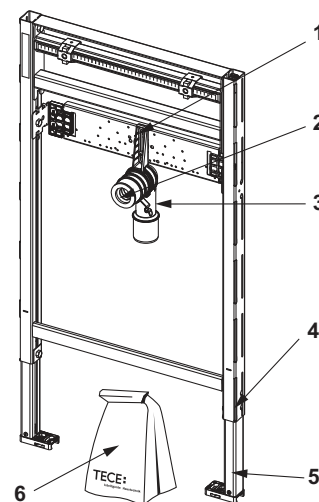
9310000 – TECEprofil washstand module, installation height 1120 mm

| Pos. | Item No. | Designation | DU 1 |
|------|----------|--|-------|
| 1 | 9820034 | Drain bend holder DN 50 | 1 pc. |
| 2 | 9820059 | Rubber collar nominal diameter 30/50 | 1 pc. |
| 3 | 9820035 | Drain bend DN 50/DN 40 | 1 pc. |
| 4 | 9820335 | C-section for module foot | 1 pc. |
| 5 | 9820067 | By-pack for washstand module (mounting material, etc.) | 1 pc. |
| 6 | 9820447 | Foot brake with steel spring | 1 pc. |
| 7 | 9820332 | Module foot with toggle left | 1 pc. |
| 8 | 9820333 | Module foot with toggle right | 1 pc. |



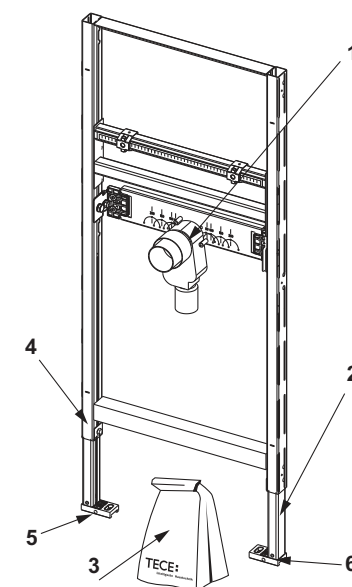
9310018 – TECEprofil washstand module, installation height 820-980 mm

| Pos. | Item No. | Designation | DU 1 |
|------|----------|--|-------|
| 1 | 9820034 | Drain bend holder DN 50 | 1 pc. |
| 2 | 9820059 | Rubber collar nominal diameter 30/50 | 1 pc. |
| 3 | 9820035 | Drain bend DN 50/DN 40 | 1 pc. |
| 4 | 9820447 | Foot brake with steel spring | 1 pc. |
| 5 | 9030028 | Module feet, extended design | 1 pc. |
| 6 | 9820067 | By-pack for washstand module (mounting material, etc.) | 1 pc. |



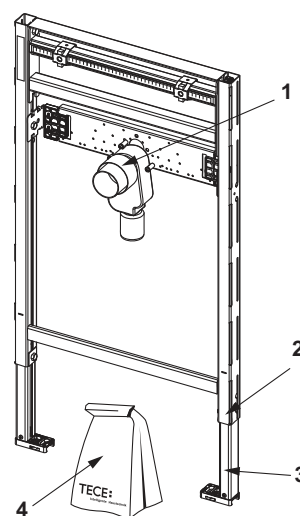
9310004 – TECEprofil washstand module with concealed odour trap, installation height 1120 mm

| Pos. | Item No. | Designation | DU 1 |
|------|----------|--|-------|
| 1 | 9820070 | Flush-mounted trap | 1 pc. |
| 2 | 9820335 | C-section for module foot | 1 pc. |
| 3 | 9820067 | By-pack for washstand module (mounting material, etc.) | 1 pc. |
| 4 | 9820447 | Foot brake with steel spring | 1 pc. |
| 5 | 9820332 | Module foot with toggle left | 1 pc. |
| 6 | 9820333 | Module foot with toggle right | 1 pc. |



9310019 – TECEprofil washstand module with concealed odour trap, installation height 820-980 mm

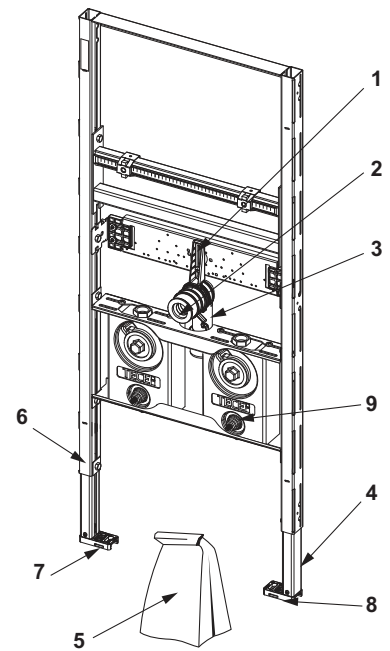
| Pos. | Item No. | Designation | DU 1 |
|------|----------|--|-------|
| 1 | 9820070 | Flush-mounted trap | 1 pc. |
| 2 | 9820447 | Foot brake with steel spring | 1 pc. |
| 3 | 9030028 | Module feet, extended design | 1 pc. |
| 4 | 9820067 | By-pack for washstand module (mounting material, etc.) | 1 pc. |



TECEprofil – Spare parts

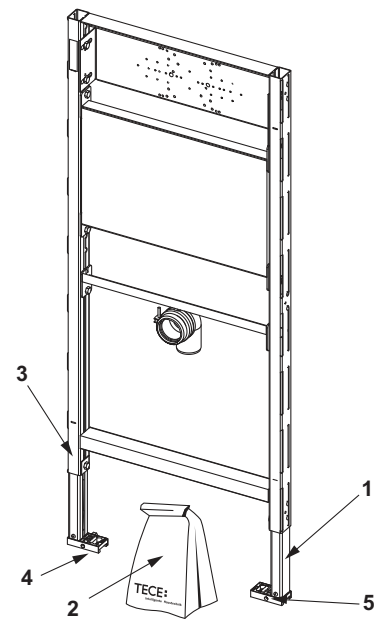
9310017 – TECEprofil washstand module including two assembly blocks for mounting water meter measuring capsules, installation height 1120 mm

| Pos. | Item No. | Designation | DU 1 |
|------|----------|--|-------|
| 1 | 9820034 | Drain bend holder DN 50 | 1 pc. |
| 2 | 9820059 | Rubber collar nominal diameter 30/50 | 1 pc. |
| 3 | 9820035 | Drain bend DN 50/DN 40 | 1 pc. |
| 4 | 9820335 | C-section for module foot | 1 pc. |
| 5 | 9820067 | By-pack for washstand module (mounting material, etc.) | 1 pc. |
| 6 | 9820447 | Foot brake with steel spring | 1 pc. |
| 7 | 9820332 | Module foot with toggle left | 1 pc. |
| 8 | 9820333 | Module foot with toggle right | 1 pc. |
| 9 | 9820691 | Inner upper part 3/4" for water meter housing | 1 pc. |



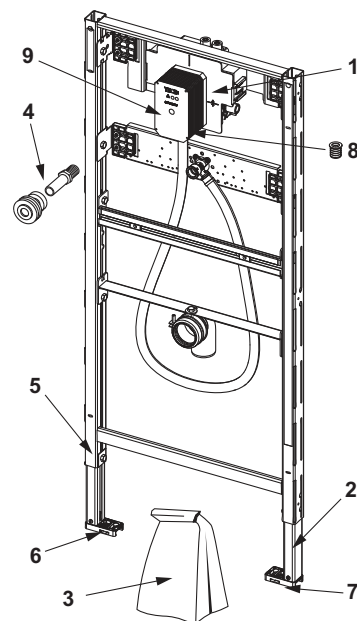
9310002 – TECEprofil washstand module for sink, installation height 1120 mm

| Pos. | Item No. | Designation | DU 1 |
|------|----------|--|-------|
| 1 | 9820335 | C-section for module foot | 1 pc. |
| 2 | 9820067 | By-pack for washstand module (mounting material, etc.) | 1 pc. |
| 3 | 9820447 | Foot brake with steel spring | 1 pc. |
| 4 | 9820332 | Module foot with toggle left | 1 pc. |
| 5 | 9820333 | Module foot with toggle right | 1 pc. |



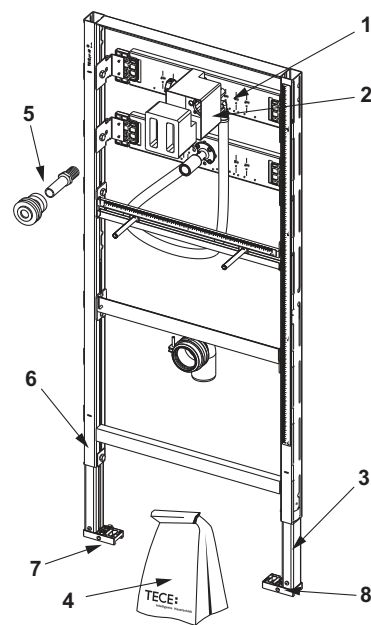
9320013 – TECEprofil urinal module with TECE flush valve housing U 2, installation height 1120 mm

| Pos. | Item No. | Designation | DU 1 |
|------|----------|---|-------|
| 1 | 9820553 | Transformer 230 V/12 V | 1 pc. |
| 2 | 9820335 | C-section for module foot | 1 pc. |
| 3 | 9820440 | By-pack for urinal flush valve U 2 | 1 pc. |
| 4 | 9820055 | Inlet fittings for urinal, 1/2" | 1 pc. |
| 5 | 9820447 | Foot brake with steel spring | 1 pc. |
| 6 | 9820332 | Module foot with toggle left | 1 pc. |
| 7 | 9820333 | Module foot with toggle right | 1 pc. |
| 8 | 9820424 | Seal water outlet | 1 pc. |
| 9 | 9820470 | Bare-wall protection urinal flush valve housing U 2 | 1 pc. |



9320008 – TECEprofil urinal module with TECE flush valve housing U 1, installation height 1120 mm

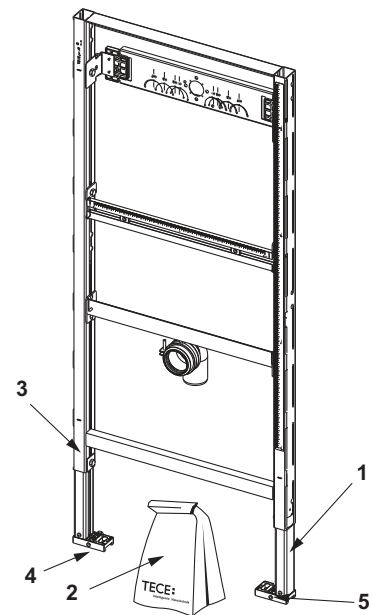
| Pos. | Item No. | Designation | DU 1 |
|------|----------|---|-------|
| 1 | 9820074 | Urinal flush valve housing U 1 with plug | 1 pc. |
| 2 | 9820075 | Bare-wall protection, supporting body, screws flush valve housing U 1 | 1 pc. |
| 3 | 9820335 | C-section for module foot | 1 pc. |
| 4 | 9820076 | By-pack for urinal module (mounting material, etc.) | 1 pc. |
| 5 | 9820055 | Inlet fittings for urinal, 1/2" | 1 pc. |
| 6 | 9820447 | Foot brake with steel spring | 1 pc. |
| 7 | 9820332 | Module foot with toggle left | 1 pc. |
| 8 | 9820333 | Module foot with toggle right | 1 pc. |



TECEprofil – Spare parts

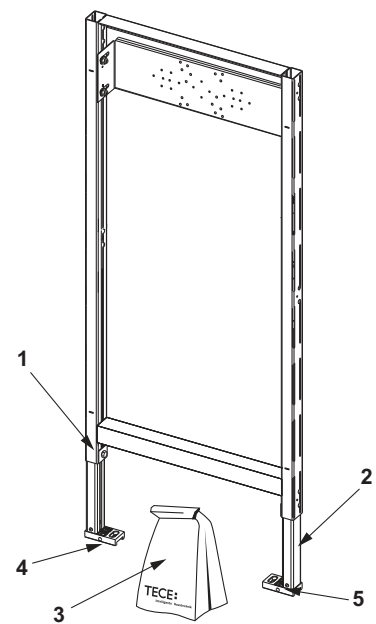
9320010 – TECEprofil urinal module for wall-mounted flush valve, installation height 1120 mm

| Pos. | Item No. | Designation | DU 1 |
|------|----------|--|-------|
| 1 | 9820335 | C-section for module foot | 1 pc. |
| 2 | 9820079 | By-pack for wall-mounted urinal module (mounting material, etc.) | 1 pc. |
| 3 | 9820447 | Foot brake with steel spring | 1 pc. |
| 4 | 9820332 | Module foot with toggle left | 1 pc. |
| 5 | 9820333 | Module foot with toggle right | 1 pc. |



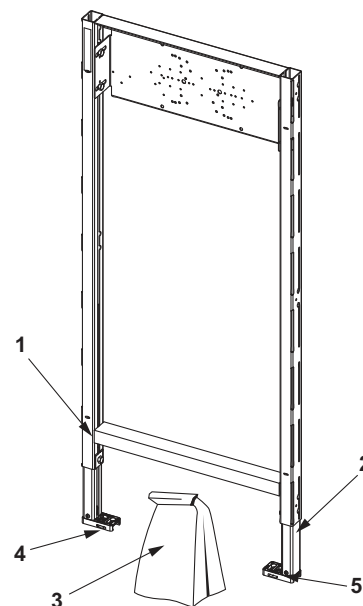
9340000 – TECEprofil bath/shower module for flush-mounted and wall-mounted fittings, installation height 1120 mm

| Pos. | Item No. | Designation | DU 1 |
|------|----------|--|-------|
| 1 | 9820335 | C-section for module foot | 1 pc. |
| 2 | 9820447 | Foot brake with steel spring | 1 pc. |
| 3 | 9820096 | By-pack for bath/shower module (mounting material, etc.) | 1 pc. |
| 4 | 9820332 | Module foot with toggle left | 1 pc. |
| 5 | 9820333 | Module foot with toggle right | 1 pc. |



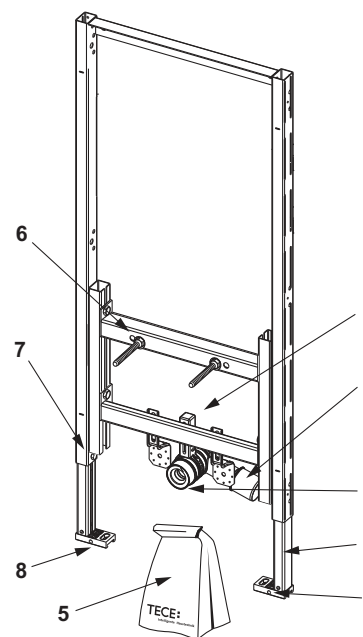
9340002 – TECEprofil bath/shower module adjustable crossbeam for flush-mounted and wall-mounted fittings, installation height 1120 mm

| Pos. | Item No. | Designation | DU 1 |
|------|----------|--|-------|
| 1 | 9820335 | C-section for module foot | 1 pc. |
| 2 | 9820447 | Foot brake with steel spring | 1 pc. |
| 3 | 9820096 | By-pack for bath/shower module (mounting material, etc.) | 1 pc. |
| 4 | 9820332 | Module foot with toggle left | 1 pc. |
| 5 | 9820333 | Module foot with toggle right | 1 pc. |



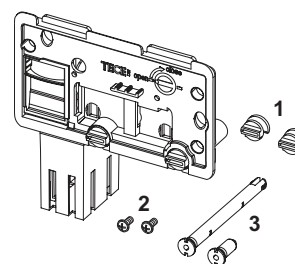
9330000 – TECEprofil bidet module for wall-mounted bidet, installation height 1120 mm
 9330005 – TECEprofil bidet module for wall-mounted bidet, installation height 820 mm

| Pos. | Item No. | Designation | DU 1 |
|------|----------|--|-------|
| 1 | 9820034 | Drain bend holder DN 50 | 1 pc. |
| 2 | 9820035 | Drain bend DN 50/DN 40 | 1 pc. |
| 3 | 9820059 | Rubber collar nominal diameter 30/50 | 1 pc. |
| 4 | 9820335 | C-section for module foot | 1 pc. |
| 5 | 9820047 | By-pack for bidet module (mounting material, etc.) | 1 pc. |
| 6 | 9820071 | Clinch nut | 1 pc. |
| 7 | 9820447 | Foot brake with steel spring | 1 pc. |
| 8 | 9820332 | Module foot with toggle left | 1 pc. |
| 9 | 9820333 | Module foot with toggle right | 1 pc. |



9240950 – TECE insert chute for cleaning tablets

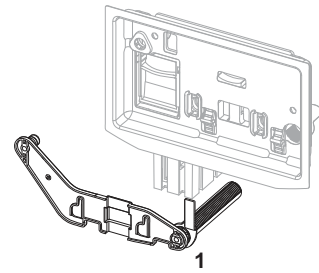
| Pos. | Item No. | Designation | DU 1 |
|------|----------|------------------------------|-------|
| 1 | 9820191 | Clamping screws set | 1 pc. |
| 2 | 9820263 | Fastening screws (2003-2020) | 1 pc. |
| 3 | 9820349 | Guide rods for insert chute | 1 pc. |



TECEprofil – Spare parts

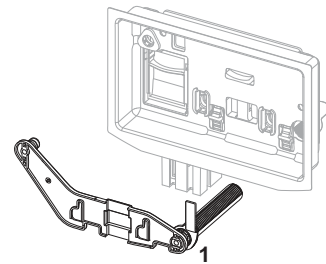
9240951 – TECE insert chute II for cleaning tablets (TECElux Mini, TECESquare glass, TECEvelvet, TECEloop and TECEnow)

| Pos. | Item No. | Designation | DU 1 |
|------|----------|--------------------------------|-------|
| 1 | 9820688 | Guide rods for insert chute II | 1 pc. |



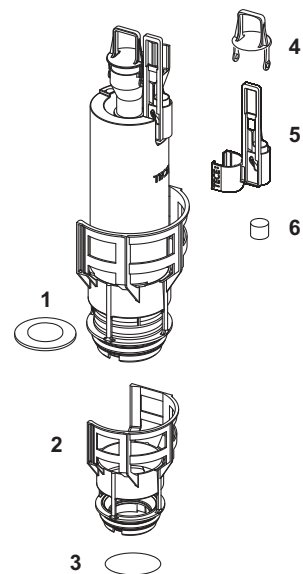
9240952 – TECE insert chute II for cleaning tablets (TECESquare II metal, TECESquare II glass and TECEsolid)

| Pos. | Item No. | Designation | DU 1 |
|------|----------|--------------------------------|-------|
| 1 | 9820693 | Guide rods for insert chute II | 1 pc. |



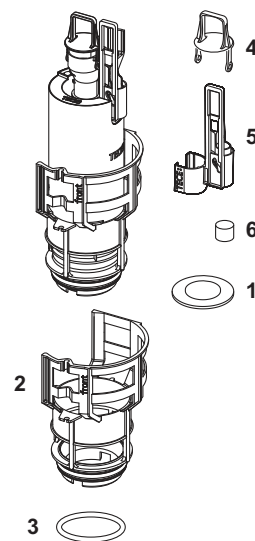
9820223 – TECE drain valve A 2

| Pos. | Item No. | Designation | DU 1 |
|------|----------|---|-------|
| 1 | 9820233 | Gasket (drain valve) | 1 pc. |
| 2 | 9820231 | Valve seat with standard throttle (ø 36 mm) | 1 pc. |
| 3 | 9820005 | O-ring (valve seat) | 1 pc. |
| 4 | 9820222 | Draw eyelet | 1 pc. |
| 5 | 9820229 | Pull rod for electrical actuation | 1 pc. |
| 6 | 9820420 | Additional weight small pull rod | 1 pc. |



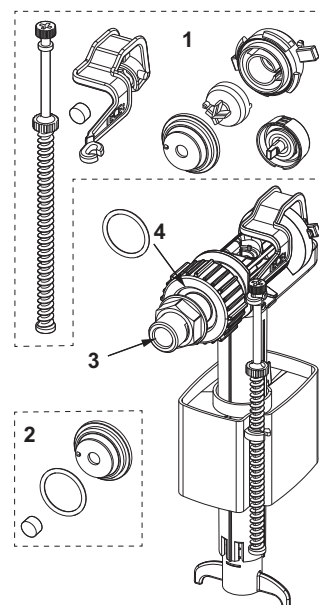
9820588 – TECE drain valve A 6 for Uni 750-cistern

| Pos. | Item No. | Designation | DU 1 |
|------|----------|---|-------|
| 1 | 9820233 | Gasket (drain valve) | 1 pc. |
| 2 | 9820653 | Valve seat for drain valve A 6 including throttle | 1 pc. |
| 3 | 9820005 | O-ring (valve seat) | 1 pc. |
| 4 | 9820222 | Draw eyelet | 1 pc. |
| 5 | 9820229 | Pull rod for electrical actuation | 1 pc. |
| 6 | 9820420 | Additional weight small pull rod | 1 pc. |



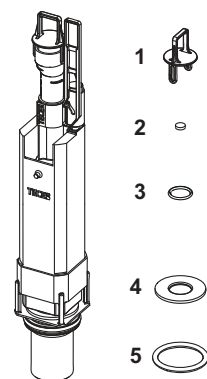
9820353 – TECE filling valve F 10 universal

| Pos. | Item No. | Designation | DU 1 |
|------|----------|---|-------|
| 1 | 9820382 | Filling valve F 10 valve lever set | 1 pc. |
| 2 | 9820383 | Filling valve F 10 sealing kit | 1 pc. |
| 3 | 9820398 | Filling valve F 10 threaded connection 3/8" | 1 pc. |
| 4 | 9820587 | Filling valve F 10 water connection O-ring M 30 | 1 pc. |



9820561 – TECE drain valve A 5

| Pos. | Item No. | Designation | DU 1 |
|------|----------|--|-------|
| 1 | 9820564 | Draw eyelet drain valve A 5 | 1 pc. |
| 2 | 9820275 | Additional weight drain valve A 3 and A 5 | 1 pc. |
| 3 | 9820446 | O-ring joint for drain valve A 3 and A 5 (10 pieces) | 1 pc. |
| 4 | 9820161 | Foot seal A 3 and A 5 | 1 pc. |
| 5 | 9820220 | O-ring valve seat for drain valve A 3 and A 5 | 1 pc. |

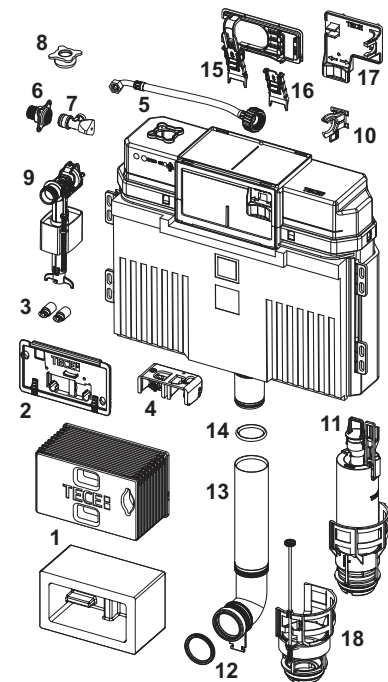


TECEprofil – Spare parts

9820103 – TECE Uni cistern 1120 mm

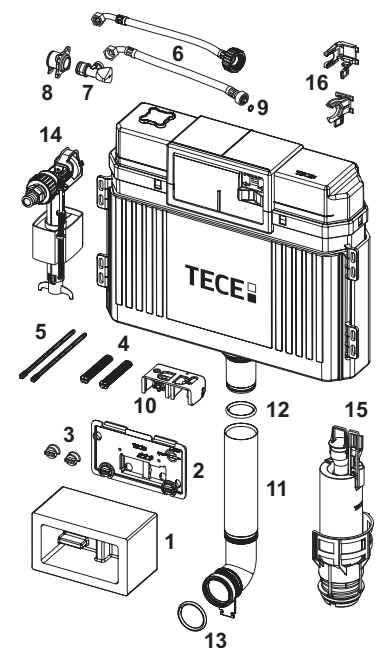
Valid from: April 2021

| Pos. | Item No. | Designation | DU | 1 |
|------|----------|---|------------|-------|
| 1 | 9820499 | Installation tunnel incl. polystyrene block | 1 | pc. |
| | 9820027 | Bare-wall protection system | 1 | pc. |
| 2 | 9820017 | Splash guard, complete | 1 | pc. |
| 3 | 9820496 | "easy fit" attachment (from 2021) | 1 | pc. |
| 4 | 9820016 | Actuation block | 1 | pc. |
| 5 | 9820374 | Reinforced hose M 30 (from 2020) | 1 | pc. |
| 6 | 9820012 | Cistern connection | 1 | pc. |
| 7 | 9820013 | Corner valve | 1 | pc. |
| 8 | 9820495 | Closure plug Uni cistern | 1 | pc. |
| 9 | 9820353 | Filling valve F 10 universal | 1 | pc. |
| 10 | 9820373 | Filling valve holder for Uni cistern (27 mm, M 30, from 2020) | 1 | pc. |
| 11 | 9820223 | Drain valve A 2 | 1 | pc. |
| 12 | 9820015 | Flush pipe seal | 1 | pc. |
| 13 | 9820011 | Flush pipe with O-ring, length 269 mm, dry-wall construction | 1 | pc. |
| | 9820331 | Extra long flush pipe, length 369 mm | 1 | pc. |
| 14 | 9820014 | O-ring | 1 | pc. |
| 15 | 9820698* | Hold-down device version slider | NEW | 1 pc. |
| 16 | 9820699* | Slider for hold-down device | NEW | 1 pc. |
| 17 | 9820700* | Hold-down device version replacement 2003-2014 | NEW | 1 pc. |
| 18 | 9820670 | Valve seat with adjustable flush flow throttle | | 1 pc. |



Valid till: March 2021

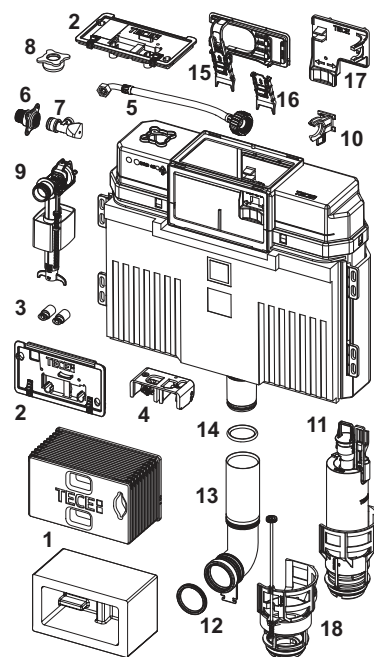
| Pos. | Item No. | Designation | DU | 1 |
|------|----------|--|----|-----|
| 1 | 9820027 | Bare-wall protection system | 1 | pc. |
| 2 | 9820017 | Splash guard, complete | 1 | pc. |
| 3 | 9820018 | Clamping screws | 1 | pc. |
| 4 | 9820019 | Attaching rods (2003-2020) | 1 | pc. |
| 5 | 9820022 | Actuation rods (2003-2020) | 1 | pc. |
| 6 | 9820026 | Reinforced hose 3/8" (until 2019) | 1 | pc. |
| | 9820374 | Reinforced hose M 30 (from 2020) | 1 | pc. |
| 7 | 9820013 | Corner valve | 1 | pc. |
| 8 | 9820012 | Cistern connection | 1 | pc. |
| 9 | 9820025 | O-ring | 1 | pc. |
| 10 | 9820016 | Actuation block | 1 | pc. |
| 11 | 9820011 | Flush pipe with O-ring, length 269 mm, dry-wall construction | 1 | pc. |
| | 9820331 | Extra long flush pipe, length 369 mm | 1 | pc. |
| 12 | 9820014 | O-ring | 1 | pc. |
| 13 | 9820015 | Flush pipe seal | 1 | pc. |
| 14 | 9820353 | Filling valve F 10 universal | 1 | pc. |
| 15 | 9820223 | Drain valve A 2 | 1 | pc. |
| 16 | 9820372 | Filling valve holder for Uni cistern (17 mm, 3/8", up to 2019) | 1 | pc. |
| | 9820373 | Filling valve holder for Uni cistern (27 mm, M 30, from 2020) | 1 | pc. |



9820101 – TECE Uni cistern 980 mm

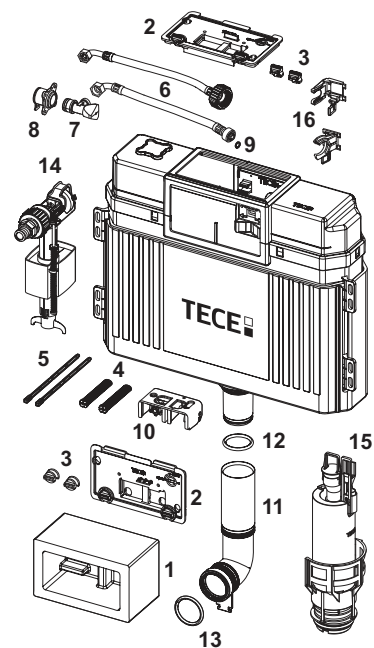
Valid from: April 2021

| Pos. | Item No. | Designation | DU | 1 |
|------|----------|---|-----|-------|
| 1 | 9820499 | Installation tunnel incl. polystyrene block | 1 | pc. |
| | 9820027 | Bare-wall protection system | 1 | pc. |
| 2 | 9820017 | Splash guard, complete | 1 | pc. |
| 3 | 9820496 | "easy fit" attachment (from 2021) | 1 | pc. |
| 4 | 9820016 | Actuation block | 1 | pc. |
| 5 | 9820374 | Reinforced hose M 30 (from 2020) | 1 | pc. |
| 6 | 9820012 | Cistern connection | 1 | pc. |
| 7 | 9820013 | Corner valve | 1 | pc. |
| 8 | 9820495 | Closure plug Uni cistern | 1 | pc. |
| 9 | 9820353 | Filling valve F 10 universal | 1 | pc. |
| 10 | 9820373 | Filling valve holder for Uni cistern (27 mm, M 30, from 2020) | 1 | pc. |
| 11 | 9820223 | Drain valve A 2 | 1 | pc. |
| 12 | 9820015 | Flush pipe seal | 1 | pc. |
| 13 | 9820099 | Shortened flush pipe, length 185 mm | 1 | pc. |
| 14 | 9820014 | O-ring | 1 | pc. |
| 15 | 9820698* | Hold-down device version slider | NEW | 1 pc. |
| 16 | 9820699* | Slider for hold-down device | NEW | 1 pc. |
| 17 | 9820700* | Hold-down device version replacement 2003-2014 | NEW | 1 pc. |
| 18 | 9820670 | Valve seat with adjustable flush flow throttle | | 1 pc. |



Valid till: March 2021

| Pos. | Item No. | Designation | DU | 1 |
|------|----------|--|----|-----|
| 1 | 9820027 | Bare-wall protection system | 1 | pc. |
| 2 | 9820017 | Splash guard, complete | 1 | pc. |
| 3 | 9820018 | Clamping screws | 1 | pc. |
| 4 | 9820019 | Attaching rods (2003-2020) | 1 | pc. |
| 5 | 9820022 | Actuation rods (2003-2020) | 1 | pc. |
| 6 | 9820026 | Reinforced hose 3/8" (until 2019) | 1 | pc. |
| | 9820374 | Reinforced hose M 30 (from 2020) | 1 | pc. |
| 7 | 9820013 | Corner valve | 1 | pc. |
| 8 | 9820012 | Cistern connection | 1 | pc. |
| 9 | 9820025 | O-ring | 1 | pc. |
| 10 | 9820016 | Actuation block | 1 | pc. |
| 11 | 9820099 | Shortened flush pipe, length 185 mm | 1 | pc. |
| 12 | 9820014 | O-ring | 1 | pc. |
| 13 | 9820015 | Flush pipe seal | 1 | pc. |
| 14 | 9820353 | Filling valve F 10 universal | 1 | pc. |
| 15 | 9820223 | Drain valve A 2 | 1 | pc. |
| 16 | 9820372 | Filling valve holder for Uni cistern (17 mm, 3/8", up to 2019) | 1 | pc. |
| | 9820373 | Filling valve holder for Uni cistern (27 mm, M 30, from 2020) | 1 | pc. |

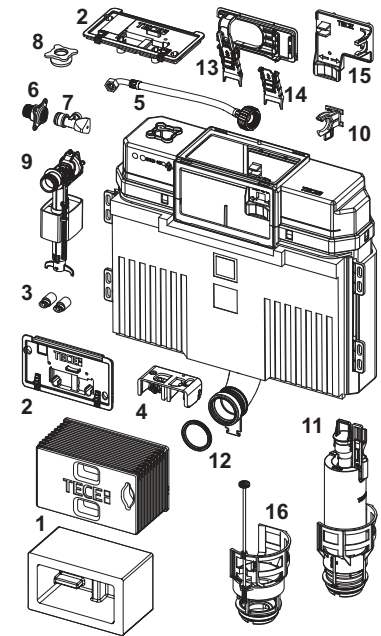


TECEprofil – Spare parts

9820100 – TECE Uni cistern 820 mm

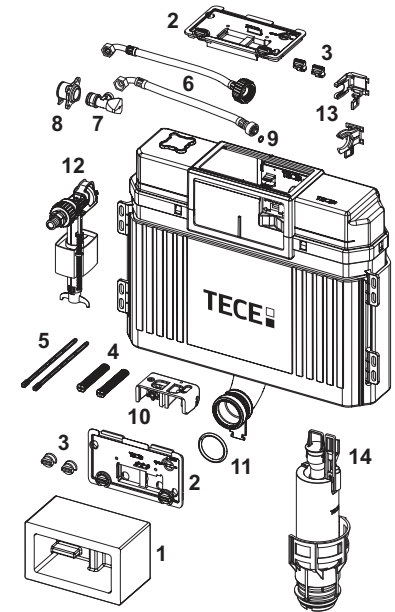
Valid from: April 2021

| Pos. | Item No. | Designation | DU | 1 |
|------|----------|---|------------|-------|
| 1 | 9820499 | Installation tunnel incl. polystyrene block | 1 pc. | |
| | 9820027 | Bare-wall protection system | 1 pc. | |
| 2 | 9820017 | Splash guard, complete | 1 pc. | |
| 3 | 9820496 | "easy fit" attachment (from 2021) | 1 pc. | |
| 4 | 9820016 | Actuation block | 1 pc. | |
| 5 | 9820374 | Reinforced hose M 30 (from 2020) | 1 pc. | |
| 6 | 9820012 | Cistern connection | 1 pc. | |
| 7 | 9820013 | Corner valve | 1 pc. | |
| 8 | 9820495 | Closure plug Uni cistern | 1 pc. | |
| 9 | 9820353 | Filling valve F 10 universal | 1 pc. | |
| 10 | 9820373 | Filling valve holder for Uni cistern (27 mm, M 30, from 2020) | 1 pc. | |
| 11 | 9820223 | Drain valve A 2 | 1 pc. | |
| 12 | 9820015 | Flush pipe seal | 1 pc. | |
| 13 | 9820698* | Hold-down device version slider | NEW | 1 pc. |
| 14 | 9820699* | Slider for hold-down device | NEW | 1 pc. |
| 15 | 9820700* | Hold-down device version replacement 2003-2014 | NEW | 1 pc. |
| 16 | 9820670 | Valve seat with adjustable flush flow throttle | | 1 pc. |



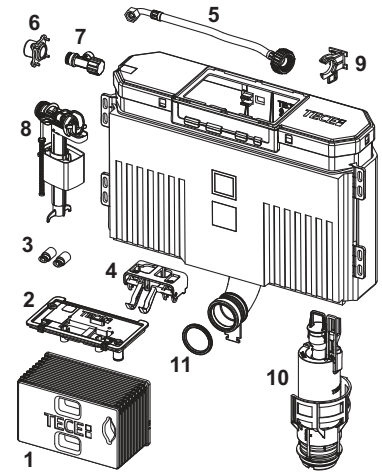
Valid till: March 2021

| Pos. | Item No. | Designation | DU | 1 |
|------|----------|--|-------|---|
| 1 | 9820027 | Bare-wall protection system | 1 pc. | |
| 2 | 9820017 | Splash guard, complete | 1 pc. | |
| 3 | 9820018 | Clamping screws | 1 pc. | |
| 4 | 9820019 | Attaching rods (2003-2020) | 1 pc. | |
| 5 | 9820022 | Actuation rods (2003-2020) | 1 pc. | |
| 6 | 9820026 | Reinforced hose 3/8" (until 2019) | 1 pc. | |
| | 9820374 | Reinforced hose M 30 (from 2020) | 1 pc. | |
| 7 | 9820013 | Corner valve | 1 pc. | |
| 8 | 9820012 | Cistern connection | 1 pc. | |
| 9 | 9820025 | O-ring | 1 pc. | |
| 10 | 9820016 | Actuation block | 1 pc. | |
| 11 | 9820015 | Flush pipe seal | 1 pc. | |
| 12 | 9820353 | Filling valve F 10 universal | 1 pc. | |
| 13 | 9820372 | Filling valve holder for Uni cistern (17 mm, 3/8", up to 2019) | 1 pc. | |
| | 9820373 | Filling valve holder for Uni cistern (27 mm, M 30, from 2020) | 1 pc. | |
| 14 | 9820223 | Drain valve A 2 | 1 pc. | |



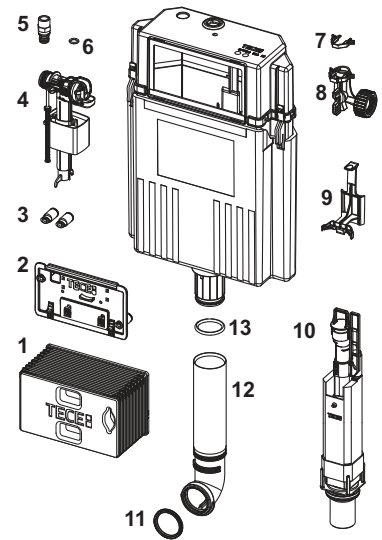
9820633 – TECE Uni 750-cistern

| Pos. | Item No. | Designation | DU 1 |
|------|----------|---|-------|
| 1 | 9820598 | Installation tunnel incl. polystyrene block Uni 750-cistern | 1 pc. |
| 2 | 9820593 | Splash guard, complete | 1 pc. |
| 3 | 9820496 | "easy fit" attachment (from 2021) | 1 pc. |
| 4 | 9820595 | Actuation block Uni 750-cistern | 1 pc. |
| 5 | 9820596 | Reinforced hose M 30 Uni 750-cistern | 1 pc. |
| 6 | 9820012 | Cistern connection | 1 pc. |
| 7 | 9820013 | Corner valve | 1 pc. |
| 8 | 9820353 | Filling valve F 10 universal | 1 pc. |
| 9 | 9820373 | Filling valve holder for Uni cistern (27 mm, M 30, from 2020) | 1 pc. |
| 10 | 9820588 | Drain valve A 6 | 1 pc. |
| 11 | 9820015 | Flush pipe seal | 1 pc. |



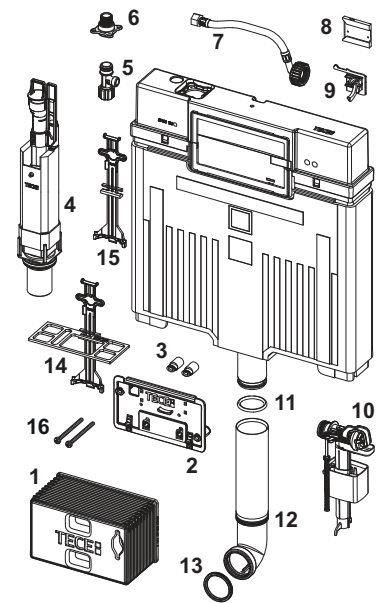
9820107 – TECE Compact 320 cistern

| Pos. | Item No. | Designation | DU 1 |
|------|----------|--|-------|
| 1 | 9820499 | Installation tunnel incl. polystyrene block | 1 pc. |
| 2 | 9820194 | Splash guard, complete | 1 pc. |
| 3 | 9820496 | "easy fit" attachment (from 2021) | 1 pc. |
| 4 | 9820353 | Filling valve F 10 universal | 1 pc. |
| 5 | 9820378 | Water connection nipple 1/2" for Base and Compact cisterns | 1 pc. |
| 6 | 9820235 | O-ring for 1/2" water connection nipple | 1 pc. |
| 7 | 9820381 | Safety clip for 3-way corner valve | 1 pc. |
| 8 | 9820492 | 3-way corner valve | 1 pc. |
| 9 | 9820667 | Hold-down device for drain valve | 1 pc. |
| 10 | 9820561 | Drain valve A 5 | 1 pc. |
| 11 | 9820015 | Flush pipe seal | 1 pc. |
| 12 | 9820668 | Flush pipe for cisterns | 1 pc. |
| 13 | 9820014 | O-ring | 1 pc. |



9820565 – TECE cistern Octa II

| Pos. | Item No. | Designation | DU 1 |
|------|----------|---|-------|
| 1 | 9820499 | Installation tunnel incl. polystyrene block | 1 pc. |
| 2 | 9820194 | Splash guard, complete | 1 pc. |
| 3 | 9820496 | "easy fit" attachment (from 2021) | 1 pc. |
| 4 | 9820561 | Drain valve A 5 | 1 pc. |
| 5 | 9820013 | Corner valve | 1 pc. |
| 6 | 9820012 | Cistern connection | 1 pc. |
| 7 | 9820562 | Reinforced hose | 1 pc. |
| 8 | 9820216 | Retainer for filling valve holder | 1 pc. |
| 9 | 9820375 | Filling valve holder for Octa cistern (27 mm, M 30) | 1 pc. |
| 10 | 9820353 | Filling valve F 10 universal | 1 pc. |
| 11 | 9820014 | O-ring | 1 pc. |
| 12 | 9820563 | Flush pipe Octa cistern | 1 pc. |
| 13 | 9820015 | Flush pipe seal | 1 pc. |
| 14 | 9820439 | Stiffening element incl. hold-down device | 1 pc. |
| 15 | 9820163 | Hold-down drain device valve for cisterns 8 cm | 1 pc. |
| 16 | 9820574 | "easy fit" attachment screws, short | 1 pc. |



TECEprofil – Spare parts

TECE flush valve cartridge U 1

Flush valve cartridge for flush valve housing U 1.

| | |
|-----------------|-------------|
| Item No. | DU 1 |
| 9820031 | 1 pc. |



TECE seal for flush pipe connection

| | |
|-----------------|-------------|
| Item No. | DU 1 |
| 9820213 | 1 pc. |



TECE flush pipe connection 20 cm

PP flush pipe connection for wall-mounted toilets.

| | |
|-----------------|-------------|
| Item No. | DU 1 |
| 9820246 | 1 pc. |



Sanitary Systems

TECEconstruct SANITARY MODULES

Sanitary Modules



| | Page |
|---------------------------------|------|
| Toilet modules with Uni cistern | 186 |
| Accessories | 187 |
| Spare parts | 189 |

TECEconstruct – Toilet modules with Uni cistern

TECEconstruct toilet module with Uni cistern, four standing feet, installation height 1120 mm

Toilet module including “easy fit” flush plate installation. Suitable for installation in metal or wooden stud walls, in front of solid walls or for free-standing assembly.

Uni cistern for front actuation:

- Safety tank made of impact-resistant plastic, tested to EN 14055
- Cistern fully pre-assembled and sealed
- Cistern connection with outer thread R 1/2" at the side, compatible with quick adapters
- 10 litre tank volume; 6 litre pre-set standard flush volume, 4.5/7.5/9-litre flush volume can be set at any time; 3-litre partial flush volume for dual-flush system; remaining volume can be used for immediate cleaning flush.
- Insulated against condensation water
- For TECE flush plates and toilet flush handle
- Can be used as a single or dual-flush cistern
- “easy fit” flush plate installation
- Low-noise hydraulic filling valve, fitting group 1 according to DIN 4109
- Flow control throttle without removing the drain valve



Module frame:

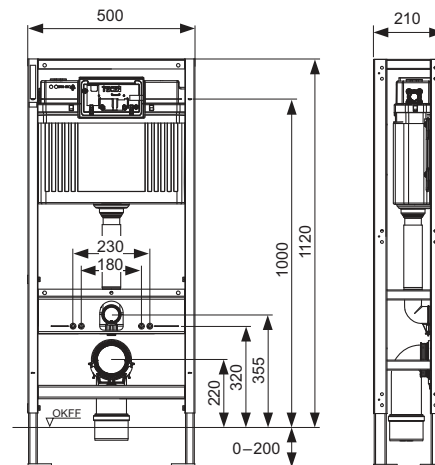
- Self-supporting with four standing feet, powder-coated
- Two M 12 retaining bolts and nuts
- Four anchor pegs M 8 x 90 for floor attachment
- Toilet drain bend DN 90 with joint adapter DN 90/100, made of PP
- Joint adapter also suitable for horizontal installation
- DN 90 toilet connection set including protective plug

Please order separately:

- Toilet flush plate (see flush plates)
- Insert chute for cleaning tablets (optional)
- TECE upgrade set dry-wall for TECE shower toilets (optional)

Note:

If toilet ceramics with a reduced supporting surface are used (= distance from middle of fixing bolt to lower edge of supporting surface is not larger than 18 cm) - e.g. V & B Memento, Sentique, Subway 2.0 - it is necessary to install the steel brace set 9041029 in the lower build space.



| Item No. | DU 1 | DU 2 | DU 3 |
|----------|-------|-------|--------|
| 9500393 | 1 pc. | 8 pc. | 16 pc. |

TECE toilet connection set DN 90

Toilet connection set for wall-mounted toilets.

Consisting of:

- Waste water connection pipe with seal
- Flush pipe connection with seal
- Toilet mounting set with caps



| Version | Length | Item No. | DU 1 | DU 2 |
|---------|--------|----------|-------|---------|
| PP | 200 mm | 9820057 | 1 pc. | 250 pc. |
| PE | 300 mm | 9820214 | 1 pc. | - |
| PE | 400 mm | 9820305 | 1 pc. | - |

TECE toilet connection set split-level 25 mm, DN 90

PE connection set split-level 25 mm for wall-hung toilets, DN 90, including mounting materials.

Note:

Without warranty, may lead to reduced non-standard flushing performance.



| Item No. | DU 1 | DU 2 |
|----------|-------|--------|
| 9880073 | 1 set | 10 set |

TECE upgrade set dry-wall for TECE shower toilets

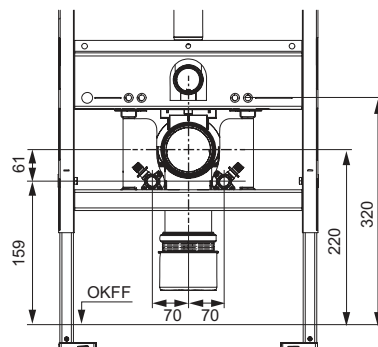
Sound-decoupled shell construction set for pre-fitting dry-wall modules with Uni and Base cisterns for the water connection of a TECE shower toilet.

Shell set consisting of:

- Holding plates for hot and cold water connections
- Sound insulation for wall discs
- Fixing screws for wall discs
- Safety pins for holding plates



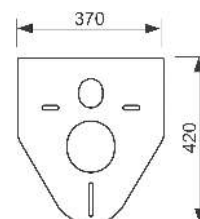
| Item No. | DU 1 | DU 2 |
|----------|-------|---------|
| 9880046 | 1 pc. | 100 pc. |



TECE sound-insulation kit for toilet and bidet

Sound insulation kit for sound insulation between the toilet or bidet ceramics and tile layer.

| Item No. | DU 1 | DU 2 | DU 3 |
|----------|-------|--------|--------|
| 9200010 | 1 pc. | 10 pc. | 50 pc. |



TECEconstruct – Accessories

TECE drain valve A 2

Drain valve for combination with Uni and Base cisterns, including valve seat, red and blue throttles and operating levers.

| Item No. | DU 1 |
|----------|-------|
| 9820223 | 1 pc. |



TECE filling valve F 10 universal

Universal filling valve for installation in all TECE cisterns as well as almost all standard flush-mounted and wall-mounted cisterns from other manufacturers.

Product details:

- 3/8" metal connection thread
- Flow pressure 0.5-10 bar
- Minimum flow pressure 0.5 bar
- Adjustable fill height
- Adjustable outflow pipe
- Low-noise in accordance with group I (DIN 4109)
- Compact design
- Incl. adapter and attachment nut
- Tested according to EN 14124



| Item No. | DU 1 | DU 2 | DU 3 |
|----------|-------|--------|---------|
| 9820353 | 1 pc. | 10 pc. | 240 pc. |

TECE throttle set for Uni and Base cisterns

Throttle set to adapt the Uni and Base cistern flushing pressure, installs in valve seat of drain valve, diameter 46-28 mm.

| Item No. | DU 1 | DU 2 |
|----------|-------|---------|
| 9820337* | 1 pc. | 100 pc. |



TECE drain valve A 5

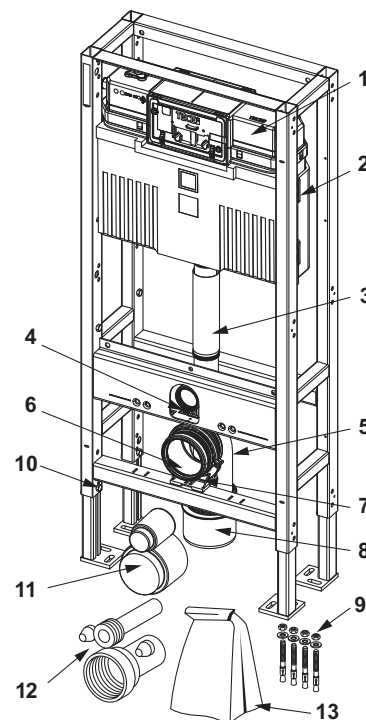
Drain valve for combination with Octa II, Base 8, Compact 320 and Base 320 cisterns, including valve seat and throttle.

| Item No. | DU 1 |
|----------|-------|
| 9820561 | 1 pc. |



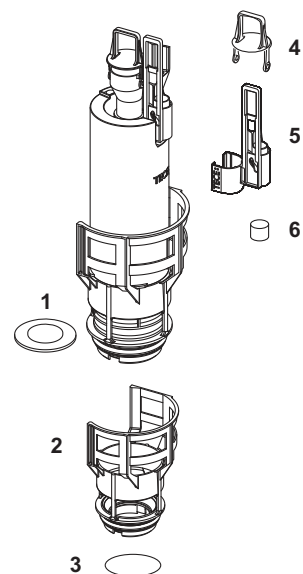
9500393 – TECEconstruct toilet module with Uni cistern, four standing feet, installation height 1120 mm

| Pos. | Item No. | Designation | DU 1 |
|------|----------|---|-------|
| 1 | 9820103 | Uni cistern 1120 mm | 1 pc. |
| 2 | 9820040 | Assembly kit for Uni cistern | 1 pc. |
| 3 | 9820011 | Flush pipe with O-ring, length 269 mm, dry-wall construction | 1 pc. |
| 4 | 9820015 | Flush pipe seal | 1 pc. |
| 5 | 9820134 | Toilet drain bend DN 90 (PP) | 1 pc. |
| 6 | 9820139 | Seal for drain bend DN 90 | 1 pc. |
| 7 | 9820348 | Toilet drain bend holder complete, mounting on crossbeam at bottom (from 04/2017) | 1 pc. |
| 8 | 9820136 | Toilet connector, DN 90/100, PP | 1 pc. |
| 9 | 9820339 | Anchor pegs stainless steel M 8 with washer | 1 pc. |
| 10 | 9820447 | Foot brake with steel spring | 1 pc. |
| 11 | 9820312 | Bare wall toilet plug for flush pipe and drain bend | 1 pc. |
| 12 | 9820057 | Toilet connection set, DN 90 | 1 pc. |
| 13 | 9820043 | By-pack for toilet module | 1 pc. |



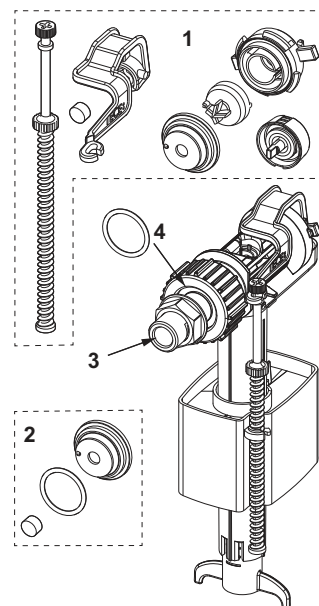
9820223 – TECE drain valve A 2

| Pos. | Item No. | Designation | DU 1 |
|------|----------|---|-------|
| 1 | 9820233 | Gasket (drain valve) | 1 pc. |
| 2 | 9820231 | Valve seat with standard throttle (ø 36 mm) | 1 pc. |
| 3 | 9820005 | O-ring (valve seat) | 1 pc. |
| 4 | 9820222 | Draw eyelet | 1 pc. |
| 5 | 9820229 | Pull rod for electrical actuation | 1 pc. |
| 6 | 9820420 | Additional weight small pull rod | 1 pc. |



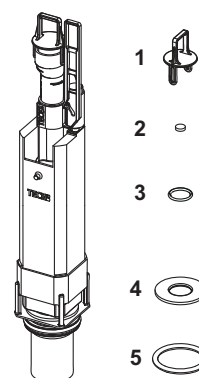
9820353 – TECE filling valve F 10 universal

| Pos. | Item No. | Designation | DU 1 |
|------|----------|---|-------|
| 1 | 9820382 | Filling valve F 10 valve lever set | 1 pc. |
| 2 | 9820383 | Filling valve F 10 sealing kit | 1 pc. |
| 3 | 9820398 | Filling valve F 10 threaded connection 3/8" | 1 pc. |
| 4 | 9820587 | Filling valve F 10 water connection O-ring M 30 | 1 pc. |



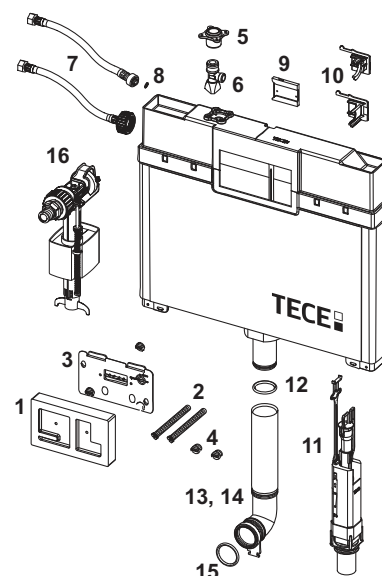
9820561 – TECE drain valve A 5

| Pos. | Item No. | Designation | DU 1 |
|------|----------|--|-------|
| 1 | 9820564 | Draw eyelet drain valve A 5 | 1 pc. |
| 2 | 9820275 | Additional weight drain valve A 3 and A 5 | 1 pc. |
| 3 | 9820446 | O-ring joint for drain valve A 3 and A 5 (10 pieces) | 1 pc. |
| 4 | 9820161 | Foot seal A 3 and A 5 | 1 pc. |
| 5 | 9820220 | O-ring valve seat for drain valve A 3 and A 5 | 1 pc. |



9820250 – TECE Octa cistern, 8 cm (available until 09/2021)

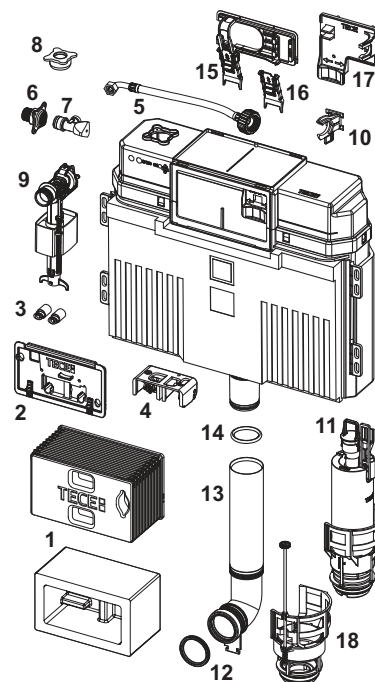
| Pos. | Item No. | Designation | DU 1 |
|------|----------|--|-------|
| 1 | 9820188 | Bare-wall protection system, short | 1 pc. |
| 2 | 9820189 | Attaching rod set, short | 1 pc. |
| 3 | 9820194 | Splash guard, complete | 1 pc. |
| 4 | 9820191 | Clamping screws set | 1 pc. |
| 5 | 9820012 | Cistern connection | 1 pc. |
| 6 | 9820013 | Corner valve | 1 pc. |
| 7 | 9820217 | Reinforced hose complete for Octa cistern 3/8", 8 cm | 1 pc. |
| | 9820376 | Reinforced hose M 30 | 1 pc. |
| 8 | 9820221 | Reinforced hose O-ring | 1 pc. |
| 9 | 9820216 | Retainer for filling valve holder | 1 pc. |
| 10 | 9820375 | Filling valve holder for Octa cistern (27 mm, M 30) | 1 pc. |
| | 9820215 | Filling valve holder for Octa cistern (17 mm, 3/8") | 1 pc. |
| 11 | 9820224 | Drain valve A 3 for Octa cistern, 8 cm | 1 pc. |
| 12 | 9820014 | O-ring | 1 pc. |
| 13 | 9820192 | Flush pipe with O-ring, brick-wall construction | 1 pc. |
| 14 | 9820011 | Flush pipe with O-ring, length 269 mm, dry-wall construction | 1 pc. |
| 15 | 9820015 | Flush pipe seal | 1 pc. |
| 16 | 9820353 | Filling valve F 10 universal | 1 pc. |



9820103 – TECE Uni cistern 1120 mm

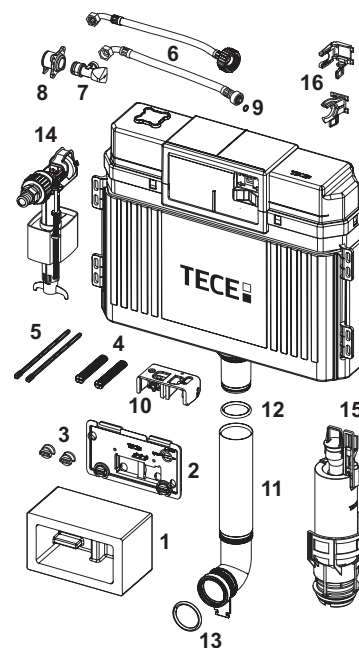
Valid from: April 2021

| Pos. | Item No. | Designation | DU | 1 |
|------|----------|---|------------|-------|
| 1 | 9820499 | Installation tunnel incl. polystyrene block | 1 pc. | |
| | 9820027 | Bare-wall protection system | 1 pc. | |
| 2 | 9820017 | Splash guard, complete | 1 pc. | |
| 3 | 9820496 | "easy fit" attachment (from 2021) | 1 pc. | |
| 4 | 9820016 | Actuation block | 1 pc. | |
| 5 | 9820374 | Reinforced hose M 30 (from 2020) | 1 pc. | |
| 6 | 9820012 | Cistern connection | 1 pc. | |
| 7 | 9820013 | Corner valve | 1 pc. | |
| 8 | 9820495 | Closure plug Uni cistern | 1 pc. | |
| 9 | 9820353 | Filling valve F 10 universal | 1 pc. | |
| 10 | 9820373 | Filling valve holder for Uni cistern (27 mm, M 30, from 2020) | 1 pc. | |
| 11 | 9820223 | Drain valve A 2 | 1 pc. | |
| 12 | 9820015 | Flush pipe seal | 1 pc. | |
| 13 | 9820011 | Flush pipe with O-ring, length 269 mm, dry-wall construction | 1 pc. | |
| | 9820331 | Extra long flush pipe, length 369 mm | 1 pc. | |
| 14 | 9820014 | O-ring | 1 pc. | |
| 15 | 9820698* | Hold-down device version slider | NEW | 1 pc. |
| 16 | 9820699* | Slider for hold-down device | NEW | 1 pc. |
| 17 | 9820700* | Hold-down device version replacement 2003-2014 | NEW | 1 pc. |
| 18 | 9820670 | Valve seat with adjustable flush flow throttle | | 1 pc. |



Valid till: March 2021

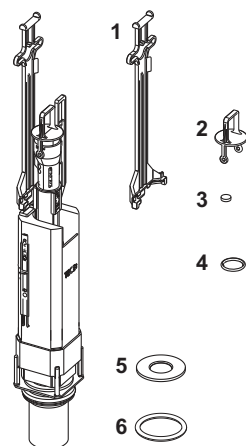
| Pos. | Item No. | Designation | DU | 1 |
|------|----------|--|-------|---|
| 1 | 9820027 | Bare-wall protection system | 1 pc. | |
| 2 | 9820017 | Splash guard, complete | 1 pc. | |
| 3 | 9820018 | Clamping screws | 1 pc. | |
| 4 | 9820019 | Attaching rods (2003-2020) | 1 pc. | |
| 5 | 9820022 | Actuation rods (2003-2020) | 1 pc. | |
| 6 | 9820026 | Reinforced hose 3/8" (until 2019) | 1 pc. | |
| | 9820374 | Reinforced hose M 30 (from 2020) | 1 pc. | |
| 7 | 9820013 | Corner valve | 1 pc. | |
| 8 | 9820012 | Cistern connection | 1 pc. | |
| 9 | 9820025 | O-ring | 1 pc. | |
| 10 | 9820016 | Actuation block | 1 pc. | |
| 11 | 9820011 | Flush pipe with O-ring, length 269 mm, dry-wall construction | 1 pc. | |
| | 9820331 | Extra long flush pipe, length 369 mm | 1 pc. | |
| 12 | 9820014 | O-ring | 1 pc. | |
| 13 | 9820015 | Flush pipe seal | 1 pc. | |
| 14 | 9820353 | Filling valve F 10 universal | 1 pc. | |
| 15 | 9820223 | Drain valve A 2 | 1 pc. | |
| 16 | 9820372 | Filling valve holder for Uni cistern (17 mm, 3/8", up to 2019) | 1 pc. | |
| | 9820373 | Filling valve holder for Uni cistern (27 mm, M 30, from 2020) | 1 pc. | |



TECEconstruct – Spare parts

9820224 – TECE drain valve A 3 for Octa cistern, 8 cm

| Pos. | Item No. | Designation | DU 1 |
|------|----------|--|-------|
| 1 | 9820163 | Hold-down drain device valve for cisterns 8 cm | 1 pc. |
| 2 | 9820222 | Draw eyelet | 1 pc. |
| 3 | 9820275 | Additional weight drain valve A 3 and A 5 | 1 pc. |
| 4 | 9820446 | O-ring joint for drain valve A 3 and A 5 (10 pieces) | 1 pc. |
| 5 | 9820161 | Foot seal A 3 and A 5 | 1 pc. |
| 6 | 9820220 | O-ring valve seat for drain valve A 3 and A 5 | 1 pc. |



Sanitary Systems

TECEbox BRICK-WALL MODULES

Sanitary Modules



| | Page |
|-------------------------------------|------|
| Toilet modules with Uni cistern | 196 |
| Toilet modules with Octa II cistern | 201 |
| Washstand, urinal | 204 |
| Accessories | 206 |
| Spare parts box | 212 |
| Spare parts | 213 |

An overview of valid Declaration of Performance (DoP) is available on our website www.tece.com.

Notes:

DU 1 = minimum order quantity per item; sometimes it is not possible to order smaller quantities for technical reasons
 DU 2 = Euro palette for modules

TECEbox – Toilet modules with Uni cistern

TECEbox toilet module with Uni cistern, installation height 1060 mm

Toilet module including “easy fit” flush plate installation. For bricked-in pre-wall installation in front of a solid wall.

Uni cistern for front actuation:

- Safety tank made of impact-resistant plastic, tested to EN 14055
- Cistern fully pre-assembled and sealed
- Cistern connection with outer thread R 1/2" at the side, compatible with quick adapters
- 10 litre tank volume; 6 litre pre-set standard flush volume, 4.5/7.5/9-litre flush volume can be set at any time; 3-litre partial flush volume for dual-flush system; remaining volume can be used for immediate cleaning flush.
- Insulated against condensation water
- For TECE flush plates and toilet flush handle
- Can be used as a single or dual-flush cistern
- “easy fit” flush plate installation
- Installation tunnel for service opening, can be shortened without tools
- Low-noise hydraulic filling valve, fitting group 1 according to DIN 4109
- Flow control throttle without removing the drain valve

Module frame:

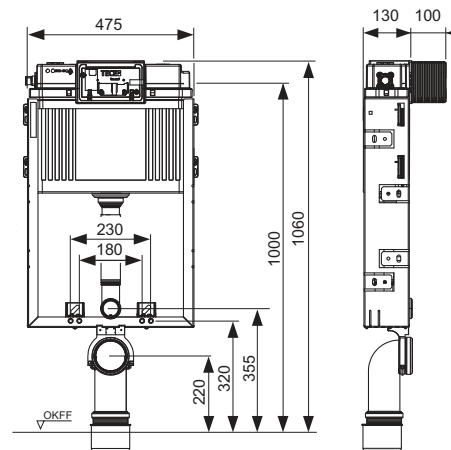
- Steel frame, galvanised
- Two M 12 retaining bolts and M 12 nuts, 180 or 230 mm installation spacing
- Toilet drain bend DN 90 with joint adapter DN 90/100, made of PP
- Joint adapter also suitable for horizontal installation
- DN 90 toilet connection set including protective plug

Please order separately:

- Toilet flush plate (see flush plates)
- Assembly feet 9030024 (optional)
- Insert chute for cleaning tablets (optional)
- TECE upgrade set brick-wall for TECE shower toilets (optional)

Note:

Ideal for row assembly by fixing directly with corner joints and TECEprofil section tube as an aid to alignment.



| Item No. | DU 1 | DU 2 | DU 3 |
|----------|-------|--------|--------|
| 9370300 | 1 pc. | 10 pc. | 20 pc. |

TECEbox toilet module with Uni cistern and tile base front, installation height 820 mm

Toilet module including “easy fit” flush plate installation. For installation in a bricked-in pre-wall in front of a solid wall, depth-adjustable.

Uni cistern for front or top actuation:

- Safety tank made of impact-resistant plastic, tested to EN 14055
- Cistern fully pre-assembled and sealed
- Cistern connection with outer thread R 1/2" at the side, compatible with quick adapters
- 10 litre tank volume; 6 litre pre-set standard flush volume, 4.5/7.5/9-litre flush volume can be set at any time; 3-litre partial flush volume for dual-flush system; remaining volume can be used for immediate cleaning flush.
- Insulated against condensation water
- For TECE flush plates and toilet flush handle
- Can be used as a single or dual-flush cistern
- “easy fit” flush plate installation
- Installation tunnel for service opening, can be shortened without tools
- Low-noise hydraulic filling valve, fitting group 1 according to DIN 4109
- Flow control throttle without removing the drain valve

Module frame:

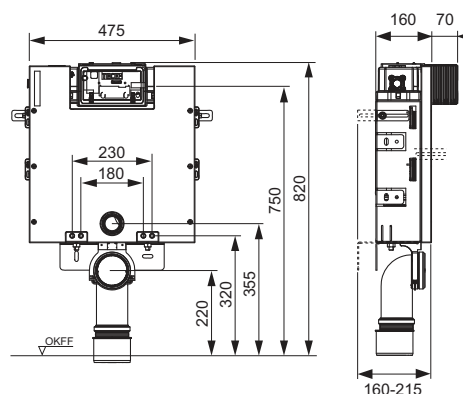
- Steel frame with front tile base made of 30 mm structural board, galvanised
- Toilet drain bend DN 90 with joint adapter DN 90/100, made of PP
- Joint adapter also suitable for horizontal installation
- DN 90 toilet connection set including protective plug

Please order separately:

- Toilet flush plate (see flush plates)
- Insert chute for cleaning tablets (optional, front actuation only)
- TECE upgrade set brick-wall for TECE shower toilets (optional)

Caution:

If the flush plate is fitted in front of cisterns with low installation height and a compact ceramic is used, the toilet lid may occasionally drop down unintentionally. When using compact ceramics fit the flush plate with top actuation only.



| Item No. | DU 1 | DU 2 | DU 3 |
|----------|-------|--------|--------|
| 9375300 | 1 pc. | 10 pc. | 20 pc. |

TECEbox – Toilet modules with Uni cistern

TECEbox toilet module with Uni cistern, installation height 820 mm

Toilet module including “easy fit” flush plate installation. For installation in a bricked-in pre-wall in front of a solid wall, depth-adjustable.

Uni cistern for front or top actuation:

- Safety tank made of impact-resistant plastic, tested to EN 14055
- Cistern fully pre-assembled and sealed
- Cistern connection with outer thread R 1/2" at the side, compatible with quick adapters
- 10 litre tank volume; 6 litre pre-set standard flush volume, 4.5/7.5/9-litre flush volume can be set at any time; 3-litre partial flush volume for dual-flush system; remaining volume can be used for immediate cleaning flush.
- Insulated against condensation water
- For TECE flush plates and toilet flush handle
- Can be used as a single or dual-flush cistern
- “easy fit” flush plate installation
- Installation tunnel for service opening, can be shortened without tools
- Low-noise hydraulic filling valve, fitting group 1 according to DIN 4109
- Flow control throttle without removing the drain valve

Module frame:

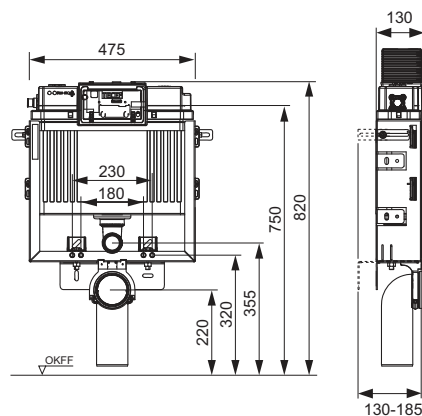
- Toilet drain bend DN 90 with joint adapter DN 90/100, made of PP
- Joint adapter also suitable for horizontal installation
- DN 90 toilet connection set including protective plug

Please order separately:

- Toilet flush plate (see flush plates)
- Insert chute for cleaning tablets (optional, front actuation only)

Caution:

If the flush plate is fitted in front of cisterns with low installation height and a compact ceramic is used, the toilet lid may occasionally drop down unintentionally. When using compact ceramics fit the flush plate with top actuation only.



| Item No. | DU 1 | DU 2 | DU 3 |
|----------|-------|--------|--------|
| 9375304 | 1 pc. | 10 pc. | 60 pc. |

TECEbox toilet module with Uni cistern, with tileable front facing, installation height 1110 mm

Toilet module including “easy fit” flush plate installation. For installation in a bricked-in pre-wall; closed surface suitable for tiling made of glass fibre lightweight concrete board.

Uni cistern for front actuation:

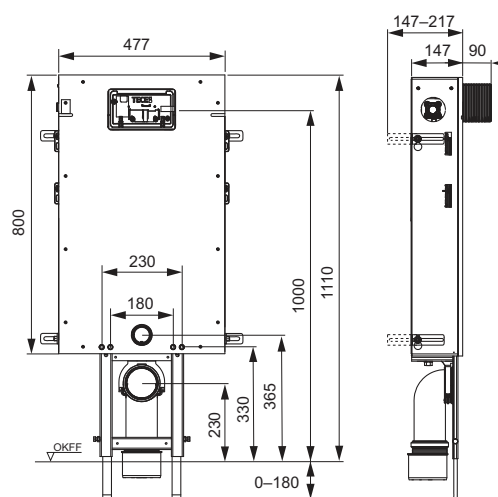
- Safety tank made of impact-resistant plastic, tested to EN 14055
- Cistern fully pre-assembled and sealed
- Cistern connection with outer thread R 1/2" at the side, compatible with quick adapters
- 10 litre tank volume; 6 litre pre-set standard flush volume, 4.5/7.5/9-litre flush volume can be set at any time; 3-litre partial flush volume for dual-flush system; remaining volume can be used for immediate cleaning flush.
- Insulated against condensation water
- For TECE flush plates and toilet flush handle
- Can be used as a single or dual-flush cistern
- “easy fit” flush plate installation
- Installation tunnel for service opening, can be shortened without tools
- Low-noise hydraulic filling valve, fitting group 1 according to DIN 4109
- Flow control throttle without removing the drain valve

Module frame:

- Steel frame, galvanised
- Two M 12 retaining bolts and M 12 nuts, 180 or 230 mm installation spacing
- Toilet drain bend DN 90 with joint adapter DN 90/100, made of PP
- Joint adapter also suitable for horizontal installation
- DN 90 toilet connection set including protective plug
- Pre-assembled height-adjustable supporting feet

Please order separately:

- TECEbox assembly area cover (Item No. 9200012)
- Toilet flush plate (see flush plates)
- Insert chute for cleaning tablets (optional)
- TECE upgrade set brick-wall for TECE shower toilets (optional)



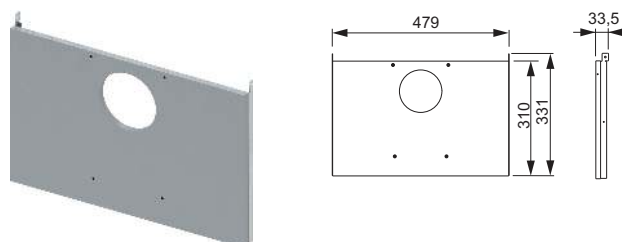
| Item No. | DU 1 | DU 2 | DU 3 |
|----------|-------|--------|--------|
| 9371300 | 1 pc. | 10 pc. | 20 pc. |

TECEbox assembly area cover

Steel sheet with screw-on glass fibre lightweight concrete plate. To face the entire surface of the lower build space of the TECEbox with tileable surface.

Consisting of:

- Steel sheet with screw-on glass fibre light concrete plate
- Mounting materials



| Item No. | DU 1 | DU 2 |
|----------|-------|--------|
| 9200012 | 1 pc. | 24 pc. |

TECEbox – Toilet modules with Uni cistern

TECEbox Uni cistern including mounting plate, installation height 1060 mm

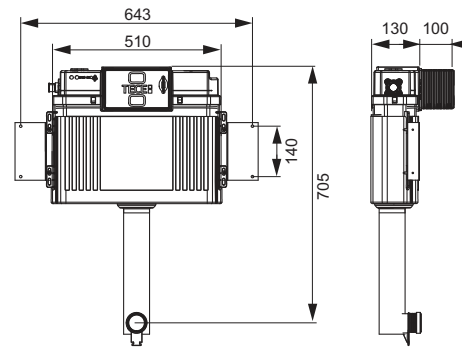
Uni cistern for shell installation including “easy fit” flush plate installation.

Uni cistern for front actuation:

- Safety tank made of impact-resistant plastic, tested to EN 14055
- Cistern fully pre-assembled and sealed
- Cistern connection with outer thread R 1/2" at the side, compatible with quick adapters
- 10 litre tank volume; 6 litre pre-set standard flush volume, 4.5/7.5/9-litre flush volume can be set at any time; 3-litre partial flush volume for dual-flush system; remaining volume can be used for immediate cleaning flush.
- Insulated against condensation water
- For TECE flush plates and toilet flush handle
- Can be used as a single or dual-flush cistern
- “easy fit” flush plate installation
- Installation tunnel for service opening, can be shortened without tools
- Low-noise hydraulic filling valve, fitting group 1 according to DIN 4109 - test certificate P-IX3837/I
- Including mounting plate und assembly material
- Flush pipe elbow
- Including connection set for floor-standing toilet with Euro rosette
- Flow control throttle without removing the drain valve

Please order separately:

- Toilet flush plate (see flush plates)
- Insert chute for cleaning tablets (optional)



| Item No. | DU 1 | DU 2 |
|----------|-------|--------|
| 9041308 | 1 pc. | 30 pc. |

TECEbox Octa II cistern, 8 cm, for floor-standing toilet, with reinforcement fabric, installation height 1075 mm

Octa II cistern including “easy fit” flush plate installation for floor-standing toilet, depth 8 cm; for installation in or in front of a solid wall.

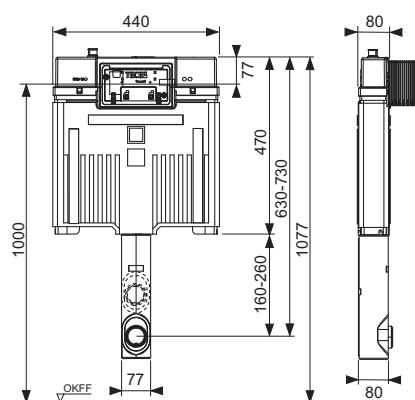
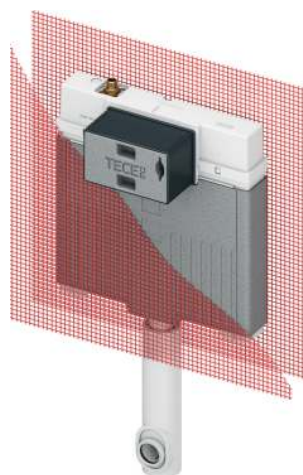
Octa II cistern 8 cm, for front actuation:

- Safety tank made of impact-resistant plastic, tested to EN 14055
- Cistern fully pre-assembled and sealed
- Cistern connection with outer thread R 1/2" at the top, compatible with quick adapters
- 7-litre tank volume; 6-litre pre-set standard flush volume, 4.5-litre flush volume can be set at any time; 3-litre partial flush volume for dual-flush system; optional setting of a 4/2 litre flush volume possible.
- Insulated against condensation water
- For TECE flush plates and toilet flush handle
- Can be used as a single or dual-flush cistern
- “easy fit” flush plate installation
- Installation tunnel for service opening, can be shortened without tools
- Low-noise hydraulic filling valve, fitting group 1 according to DIN 4109
- Reinforcement fabrics for mounting

Please order separately:

- Toilet flush plate (see flush plates)

| Item No. | DU 1 | DU 2 |
|----------|-------|--------|
| 9370500 | 1 pc. | 10 pc. |



TECEbox – Toilet modules with Octa II cistern

TECEbox toilet module with Octa II cistern, 8 cm, for wall toilet, installation height 1075 mm

Octa II cistern including “easy fit” flush plate installation for wall toilet, depth 8 cm; for installation in or in front of a solid wall.

Octa II cistern 8 cm, for front actuation:

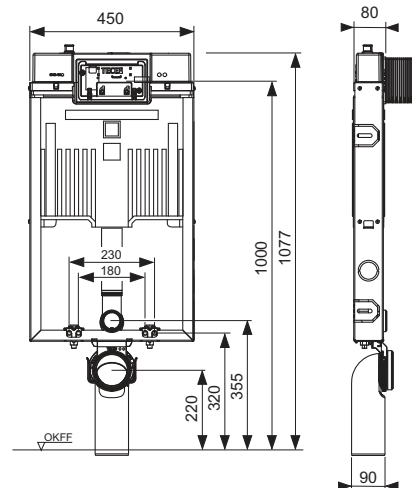
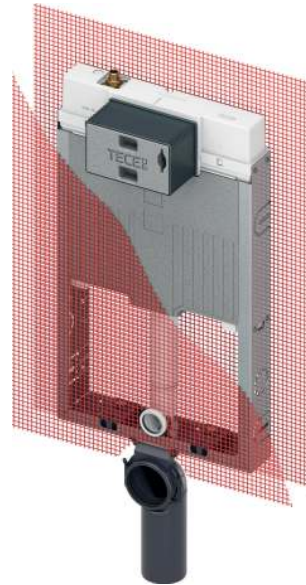
- Safety tank made of impact-resistant plastic, tested to EN 14055
- Cistern fully pre-assembled and sealed
- Cistern connection with outer thread R 1/2" at the top, compatible with quick adapters
- 7-litre tank volume; 6-litre pre-set standard flush volume, 4.5-litre flush volume can be set at any time; 3-litre partial flush volume for dual-flush system; optional setting of a 4/2 litre flush volume possible.
- Insulated against condensation water
- For TECE flush plates and toilet flush handle
- Can be used as a single or dual-flush cistern
- “easy fit” flush plate installation
- Installation tunnel for service opening, can be shortened without tools
- Low-noise hydraulic filling valve, fitting group 1 according to DIN 4109
- Reinforcement fabrics for mounting

Module frame:

- Steel frame, galvanised
- Two M 12 retaining bolts and M 12 nuts, 180 or 230 mm installation spacing
- Toilet drain bend DN 90 made of PE-HD
- DN 90 toilet connection set including protective plug

Please order separately:

- Toilet flush plate (see flush plates)
- TECE upgrade set brick-wall 8 cm for TECE shower toilets (optional)



| Item No. | DU 1 | DU 2 | DU 3 |
|----------|-------|--------|--------|
| 9370501 | 1 pc. | 10 pc. | 20 pc. |

TECEbox toilet module with Octa II cistern, 8 cm, for wall-hung toilet, with connection for odour extraction, installation height 1075 mm

Octa II cistern including “easy fit” flush plate installation for floor-standing toilet, depth 8 cm; for installation in or in front of a solid wall.

Octa II cistern 8 cm, for front actuation:

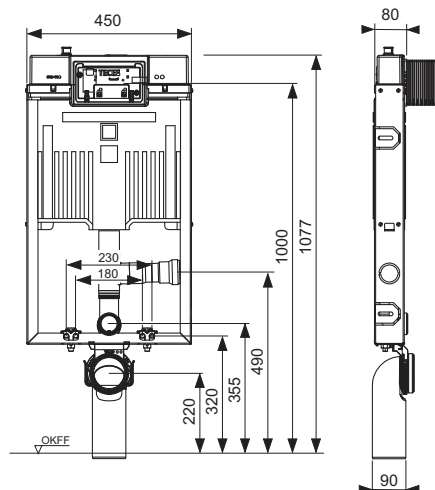
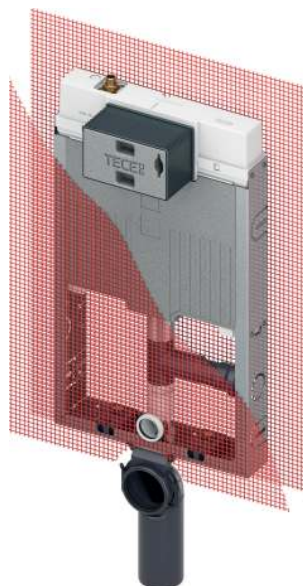
- Safety tank made of impact-resistant plastic, tested to EN 14055
- Cistern fully pre-assembled and sealed
- Cistern connection with outer thread R 1/2" at the top, compatible with quick adapters
- 7-litre tank volume; 6-litre pre-set standard flush volume, 4.5-litre flush volume can be set at any time; 3-litre partial flush volume for dual-flush system; optional setting of a 4/2 litre flush volume possible.
- Insulated against condensation water
- For TECE flush plates and toilet flush handle
- Can be used as a single or dual-flush cistern
- “easy fit” flush plate installation
- Installation tunnel for service opening, can be shortened without tools
- Low-noise hydraulic filling valve, fitting group 1 according to DIN 4109
- Reinforcement fabrics for mounting
- With connection for odour extraction DN 50

Module frame:

- Steel frame, galvanised
- Two M 12 retaining bolts and M 12 nuts, 180 or 230 mm installation spacing
- Toilet drain bend DN 90 made of PE-HD
- DN 90 toilet connection set including protective plug

Please order separately:

- Toilet flush plate (see flush plates)
- TECE upgrade set brick-wall 8 cm for TECE shower toilets (optional)



| Item No. | DU 1 | DU 2 |
|----------|-------|--------|
| 9370502 | 1 pc. | 10 pc. |

TECEbox – Washstand, urinal

TECEbox washstand module, installation depth 8 cm

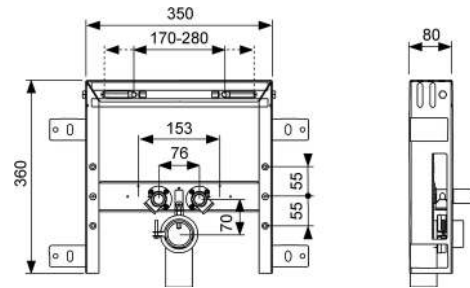
Washstand module for installation in a wall or in front of a solid wall.

Components:

- Continuous steel profile
- Adjustable washstand fixing centres
- Two wall disks 1/2" x 1/2" inner thread
- PE-HD drain bend \varnothing 50 mm (weldable) including flush pipe seal and installation material



| Item No. | DU 1 | DU 2 |
|----------|-------|--------|
| 9370032 | 1 pc. | 50 pc. |



TECEbox washstand module, installation depth 8 cm

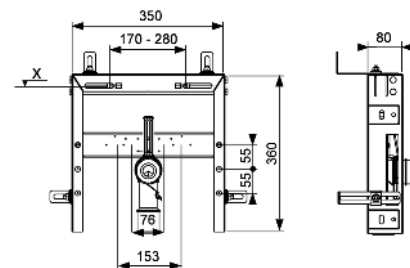
To be sealed in front of a solid wall, with four depth-adjustable wall attachments, installation depth 8-19 cm, ceramic mounting spacing 17-28 cm.

Consisting of:

- Surrounding steel frame
- DN 40/50 connecting elbow with NW 30/50 rubber collar (also serves as a seal) incl. protective plug
- Two threaded rods M 10 for ceramic mounting
- Fixing material



| Item No. | DU 1 |
|----------|-------|
| 9370033 | 1 pc. |

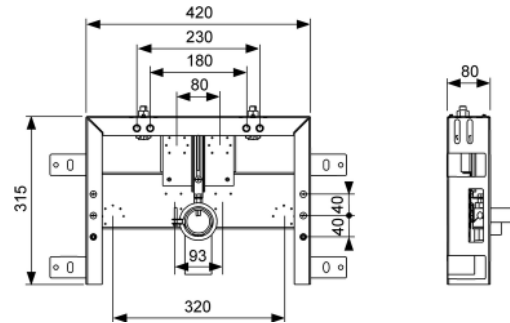


TECEbox bidet module, installation depth 8 cm

Bidet module for installation in the wall or in front of a solid wall construction.

Components:

- Continuous steel profile
- Installation spacing 180/230 mm
- PE-HD drain bend ø 50 mm including flush pipe seal
- Ceramic mounting set
- Mounting materials



| Item No. | DU 1 | DU 2 |
|----------|-------|--------|
| 9370045 | 1 pc. | 50 pc. |

TECEbox urinal flush valve housing U 2

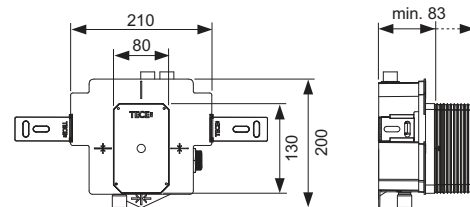
For mounting the TECE urinal valve U 2 in brick-wall construction, for combination with the TECEfilo valve unit and sensor cover.

Consisting of:

- Urinal flush valve housing U 2 inlet flow control and bare-wall protection system
- 230 V/12 V-transformer integrated for direct 230 V connection
- Connection IT 1/2"
- incl. mounting elbow and mounting materials

Please order separately:

- TECEfilo valve unit (see Urinal flush plates)
- TECEfilo sensor cover (see Urinal flush plates)



| Item No. | DU 1 |
|----------|-------|
| 9370040 | 1 pc. |

TECEbox urinal flush valve housing U 1 with retaining clip

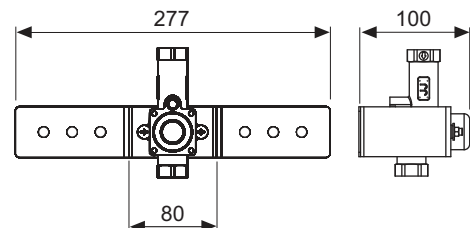
Urinal flush valve housing to fit the TECE urinal flush valve U 1 to brick-wall constructions.

Consisting of:

- Connection 1/2" IT
- Urinal flush valve housing U 1 with inlet flow control and bare-wall protection system
- Galvanised steel retaining clip

Please order separately:

- Manual urinal flush plate or electronic (TECEsquare, TECEloop, TECEsolid, TECEplanus as well as TECEnow Urinal)
- TECE inlet fittings for urinal (9820055)



| Item No. | DU 1 |
|----------|-------|
| 9370021 | 1 pc. |

TECEbox – Accessories

TECEbox assembly feet

Assembly aid for installation of the TECEbox toilet module without front facing.

Consisting of:

- Two galvanised assembly feet
- Mounting materials for floor attachment

Caution:

TECEbox assembly feet are not suitable for assembly in a TECEprofil or stud wall.



| Item No. | DU 1 | DU 2 |
|----------|-------|--------|
| 9030024 | 1 set | 10 set |

TECE upgrade set brick-wall 8 cm for TECE shower toilets

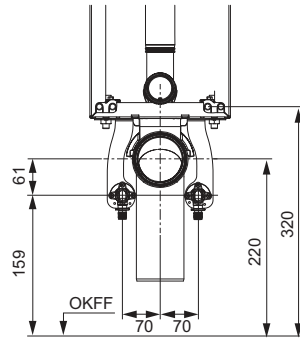
Sound-decoupled shell set for pre-fitting brick-wall cisterns with Octa II and Base 8 cisterns for the water connection of a TECE shower toilet.

Shell set consisting of:

- Holding plates for hot and cold water connections
- Sound insulation for wall discs
- Fastening screws for wall discs



| Item No. | DU 1 |
|----------|-------|
| 9880048 | 1 pc. |



TECE upgrade set brick-wall for TECE shower toilets

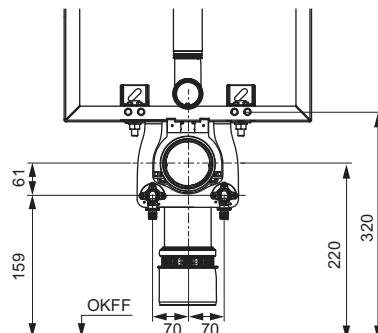
Sound-decoupled shell set for pre-fitting brick-wall cisterns with Uni cisterns (installation depth 13 cm) for the water connection of a TECE shower toilet.

Shell set consisting of:

- Holding plate for hot and cold water connections
- Sound insulation for wall discs
- Fixing screws for wall discs
- Mounting material



| Item No. | DU 1 | DU 2 |
|----------|-------|--------|
| 9880047 | 1 pc. | 25 pc. |



TECEbox assembly feet for toilet modules with Octa cistern, 8 cm

Assembly feet made of steel, height-adjustable from 290 to 495 mm, including mounting materials for TECEbox toilet module with Octa cistern, 8 cm.

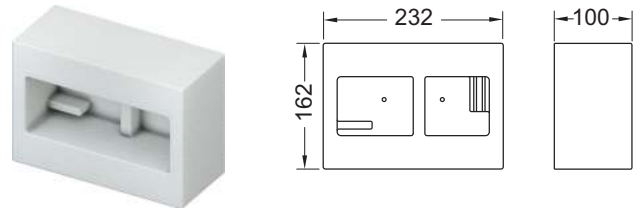


| | |
|-----------------|-------------|
| Item No. | DU 1 |
| 9030026 | 1 set |

TECEbox brick-wall protection system for flush-mounted installation

Larger bare-wall protection system for brick-wall construction to prepare the installation of the installation frame for toilet flush plates. Suitable for use with all TECEbox toilet modules.

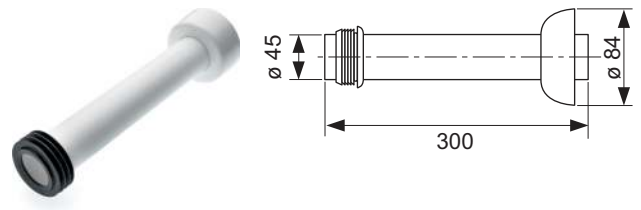
Wall thickness at least 30 mm!



| | |
|-----------------|-------------|
| Item No. | DU 1 |
| 9030029 | 1 pc. |

TECEbox connection set for floor-standing toilet with Euro-rosette

Connection set for floor-standing toilet, in white, with flush pipe seal and Euro-rosette.



| | |
|-----------------|-------------|
| Item No. | DU 1 |
| 9221011 | 1 pc. |

TECE repair set for cistern made of PP

To eliminate damage (e.g. from drilling) up to a diameter of approx. 12 mm.

Consisting of:

- Five plastic disks
- Sandpaper
- Hot glue gun
- Two glue sticks
- Cleaner (125 ml)
- Two cloths



| | |
|-----------------|-------------|
| Item No. | DU 1 |
| 9221013 | 1 pc. |

TECE toilet connection set DN 90

Toilet connection set for wall-mounted toilets.

Consisting of:

- Waste water connection pipe with seal
- Flush pipe connection with seal
- Toilet mounting set with caps

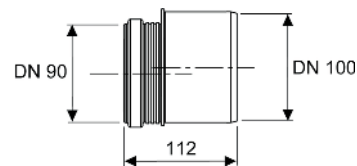


| Version | Length | Item No. | DU 1 | DU 2 |
|---------|--------|----------|-------|---------|
| PP | 200 mm | 9820057 | 1 pc. | 250 pc. |
| PE | 300 mm | 9820214 | 1 pc. | - |
| PE | 400 mm | 9820305 | 1 pc. | - |

TECEbox – Accessories

TECE toilet connector, DN 90/100

Toilet connector to connect toilet modules horizontally to a DN 100 drain pipe.



| Version | Item No. | DU 1 | DU 2 |
|---------|----------|-------|---------|
| PP | 9820136 | 1 pc. | 500 pc. |
| PVC | 9820137 | 1 pc. | 10 pc. |
| PE-HD | 9820316 | 1 pc. | 50 pc. |

TECE flush pipe for connection of squat toilet

Flush pipe including flush pipe elbow and flush pipe connector, colour white.



| Item No. | DU 1 | DU 2 |
|----------|-------|--------|
| 9820324 | 1 pc. | 10 pc. |

TECE toilet connection set split-level 25 mm, DN 90

PE connection set split-level 25 mm for wall-hung toilets, DN 90, including mounting materials.



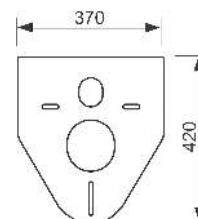
Note:

Without warranty, may lead to reduced non-standard flushing performance.

| Item No. | DU 1 | DU 2 |
|----------|-------|--------|
| 9880073 | 1 set | 10 set |

TECE sound-insulation kit for toilet and bidet

Sound insulation kit for sound insulation between the toilet or bidet ceramics and tile layer.



| Item No. | DU 1 | DU 2 | DU 3 |
|----------|-------|--------|--------|
| 9200010 | 1 pc. | 10 pc. | 50 pc. |

TECE inlet fittings for urinal

Set consisting of:

- 1/2" connection piece
- Urinal connector



| Item No. | DU 1 |
|----------|-------|
| 9820055 | 1 pc. |

TECE urinal suction siphon

Urinal suction siphon for horizontal drain, for connection to DN 50, with seal.



| Item No. | DU 1 |
|----------|-------|
| 9820338 | 1 pc. |

TECE corner valve key

For assembly/disconnection of corner valve in TECE cistern, with holder for 1/2" or 1/4" ratchet.



| | |
|-----------------|-------------|
| Item No. | DU 1 |
| 9820264 | 1 pc. |

TECE insert chute II for cleaning tablets (TECElux Mini, TECESquare glass, TECEvelvet, TECEloop and TECEnow)

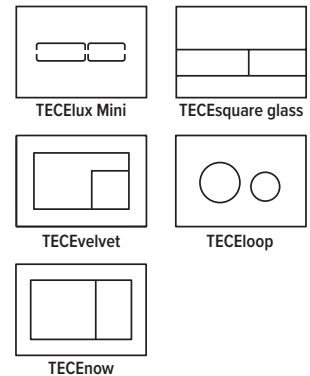
For inserting toilet cleaning tablets into Uni and Base cisterns; in combination with TECElux Mini, TECESquare glass, TECEvelvet, TECEloop and TECEnow flush plates; for installation from the front; suitable for flush-mounted installation.

Use in brick-wall construction from 22 mm wall structure.

Maximum wall structure: 79 mm dry-wall construction, 98 mm brick-wall construction

Attention:

- The cleaning tablets used must not contain chlorine or any other oxidizing components.
- Not compatible with TECEflushpoint pneumatic remote release.



| | |
|-----------------|-------------|
| Item No. | DU 1 |
| 9240951 | 1 pc. |

TECE insert chute II for cleaning tablets (TECESquare II metal, TECESquare II glass and TECESolid)

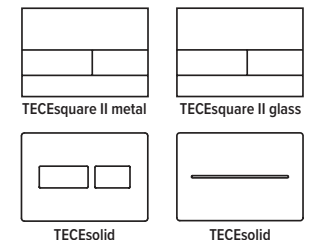
For inserting toilet cleaning tablets into Uni and Base cisterns; in combination with TECESquare II metal, TECESquare II glass and TECESolid flush plates; for installation from the front; suitable for flush-mounted installation in conjunction with the TECESquare II glass and the TECESolid spacing frame.

Use in brick-wall construction from 32 mm wall structure.

Maximum wall structure: 89 mm dry-wall construction, 108 mm brick-wall construction

Attention:

- The cleaning tablets used must not contain chlorine or any other oxidizing components.
- Not compatible with TECEflushpoint pneumatic remote release.



| | |
|-----------------|-------------|
| Item No. | DU 1 |
| 9240952 | 1 pc. |

TECE drain valve A 2

Drain valve for combination with Uni and Base cisterns, including valve seat, red and blue throttles and operating levers.



| | |
|-----------------|-------------|
| Item No. | DU 1 |
| 9820223 | 1 pc. |

TECEbox – Accessories

TECE filling valve F 10 universal

Universal filling valve for installation in all TECE cisterns as well as almost all standard flush-mounted and wall-mounted cisterns from other manufacturers.

Product details:

- 3/8" metal connection thread
- Flow pressure 0.5-10 bar
- Minimum flow pressure 0.5 bar
- Adjustable fill height
- Adjustable outflow pipe
- Low-noise in accordance with group I (DIN 4109)
- Compact design
- Incl. adapter and attachment nut
- Tested according to EN 14124



| Item No. | DU 1 | DU 2 | DU 3 |
|----------|-------|--------|---------|
| 9820353 | 1 pc. | 10 pc. | 240 pc. |

TECE throttle set for Uni and Base cisterns

Throttle set to adapt the Uni and Base cistern flushing pressure, installs in valve seat of drain valve, diameter 46-28 mm.

| Item No. | DU 1 | DU 2 |
|----------|-------|---------|
| 9820337* | 1 pc. | 100 pc. |



TECE throttle set for Octa II, Base 8, Base 320 and Compact 320 cisterns

Throttle set for adjusting the flush pressure for Octa II, Base 8, Base 320 and Compact 320 cisterns, installation in the valve seat of the drain valve, diameter 32-28 mm.

| Item No. | DU 1 |
|----------|-------|
| 9820394 | 1 pc. |



TECE drain valve A 5

Drain valve for combination with Octa II, Base 8, Compact 320 and Base 320 cisterns, including valve seat and throttle.

| Item No. | DU 1 |
|----------|-------|
| 9820561 | 1 pc. |



TECE valve seat with adjustable flush flow throttle

Valve seat with adjustable flush flow throttle for the drain valve A 2 in Uni and Base cisterns.

| | |
|----------|-------|
| Item No. | DU 1 |
| 9820670 | 1 pc. |



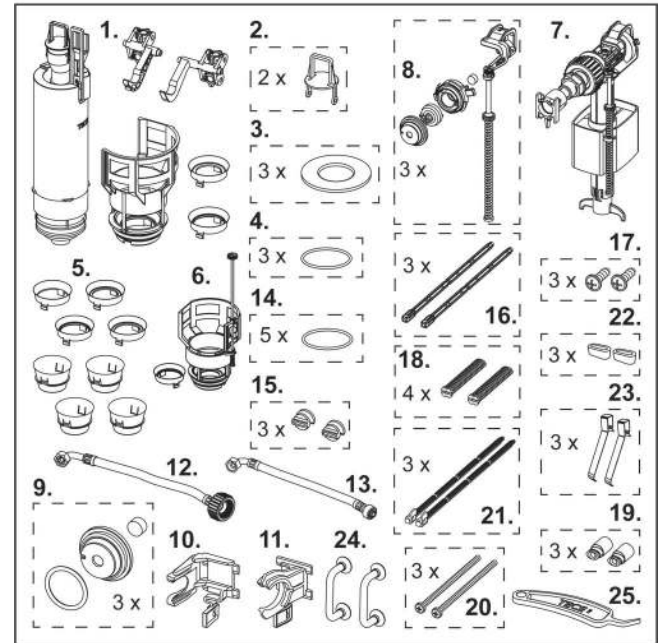
TECEbox – Spare parts box

TECE spare parts case for Uni cistern

Plastic assortment case with spare parts for the Uni cistern.



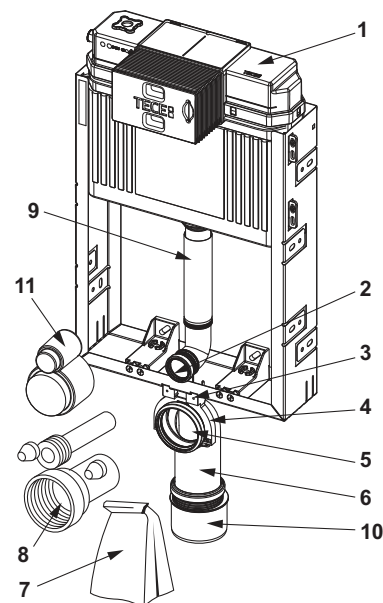
| Pos. | Item No. | Designation | Quantity |
|------|----------|--|----------|
| 1 | 9820223 | Drain valve A 2 | 1 |
| 2 | 9820222 | Draw eyelet | 2 |
| 3 | 9820233 | Gasket (drain valve) | 3 |
| 4 | 9820005 | O-ring (valve seat) | 3 |
| 5 | 9820337* | Throttle set for for Uni and Base cisterns | 1 |
| 6 | 9820670 | Valve seat with adjustable flush flow throttle | 1 |
| 7 | 9820353 | Filling valve F 10 universal | 1 |
| 8 | 9820382 | Filling valve F 10 valve lever set | 3 |
| 9 | 9820383 | Filling valve F 10 sealing kit | 3 |
| 10 | 9820372 | Filling valve holder for Uni cistern (17 mm, 3/8", up to 2019) | 1 |
| 11 | 9820373 | Filling valve holder for Uni cistern (27 mm, M 30, from 2020) | 1 |
| 12 | 9820374 | Reinforced hose M 30 (from 2020) | 1 |
| 13 | 9820026 | Reinforced hose 3/8" (until 2019) | 1 |
| 14 | 9820025 | O-ring | 5 |
| 15 | 9820018 | Clamping screws | 3 |
| 16 | 9820022 | Actuation rods (2003-2020) | 3 |
| 17 | 9820263 | Fastening screws (2003-2020) | 3 |
| 18 | 9820019 | Attaching rods (2003-2020) | 4 |
| 19 | 9820496 | "easy fit" attachment (from 2021) | 3 |
| 20 | 9820497 | "easy fit" attachment screws (from 2021) | 3 |
| 21 | 9820498 | "easy fit" actuation rods (from 2021) | 3 |
| 22 | 9820024 | Rubber buffer, set of two | 3 |
| 23 | 9820020 | Push-button springs, set of two | 3 |
| 24 | 9820180 | Bow-type handles | 1 |
| 25 | 9820390 | Dismounting and programming key | 1 |



| Item No. | DU 1 |
|----------|-------|
| 9820000 | 1 pc. |

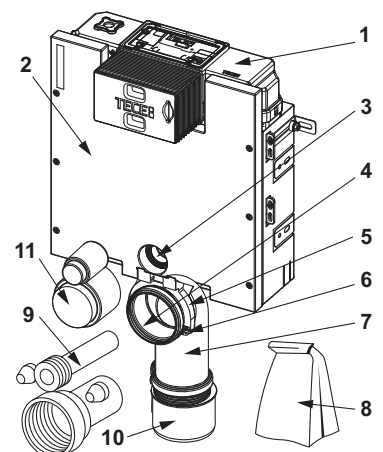
9370300 – TECEbox toilet module with Uni cistern, installation height 1060 mm

| Pos. | Item No. | Designation | DU 1 |
|------|----------|--|-------|
| 1 | 9820103 | Uni cistern 1120 mm | 1 pc. |
| 2 | 9820015 | Flush pipe seal | 1 pc. |
| 3 | 9820048 | Toilet drain bend holder | 1 pc. |
| 4 | 9820049 | Bracket toilet drain bend holder | 1 pc. |
| 5 | 9820139 | Seal for drain bend DN 90 | 1 pc. |
| 6 | 9820135 | Toilet drain bend DN 90 (PP) | 1 pc. |
| 7 | 9820051 | By-pack for brick-wall-mounted cistern (mounting material, etc.) | 1 pc. |
| 8 | 9820057 | Toilet connection set, DN 90 | 1 pc. |
| 9 | 9820011 | Flush pipe with O-ring, length 269 mm, dry-wall construction | 1 pc. |
| 10 | 9820136 | Toilet connector, DN 90/100, PP | 1 pc. |
| 11 | 9820312 | Bare wall toilet plug for flush pipe and drain bend | 1 pc. |



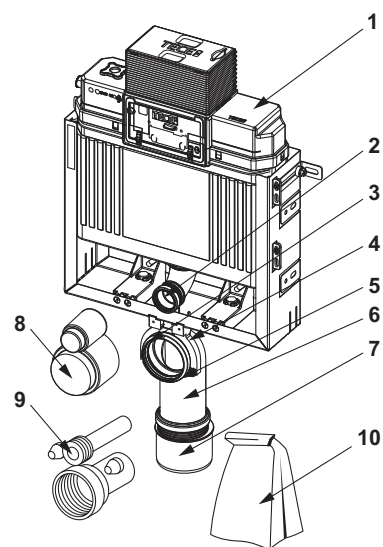
9375300 – TECEbox toilet module with Uni cistern and tile base front, installation height 820 mm

| Pos. | Item No. | Designation | DU 1 |
|------|----------|---|-------|
| 1 | 9820100 | Uni cistern 820 mm | 1 pc. |
| 2 | 9820050 | Structural board with screws | 1 pc. |
| 3 | 9820015 | Flush pipe seal | 1 pc. |
| 4 | 9820139 | Seal for drain bend DN 90 | 1 pc. |
| 5 | 9820048 | Toilet drain bend holder | 1 pc. |
| 6 | 9820049 | Bracket toilet drain bend holder | 1 pc. |
| 7 | 9820135 | Toilet drain bend DN 90 (PP) | 1 pc. |
| 8 | 9820043 | By-pack for toilet module | 1 pc. |
| 9 | 9820057 | Toilet connection set, DN 90 | 1 pc. |
| 10 | 9820136 | Toilet connector, DN 90/100, PP | 1 pc. |
| 11 | 9820312 | Bare wall toilet plug for flush pipe and drain bend | 1 pc. |



9375304 – TECEbox toilet module with Uni cistern, installation height 820 mm

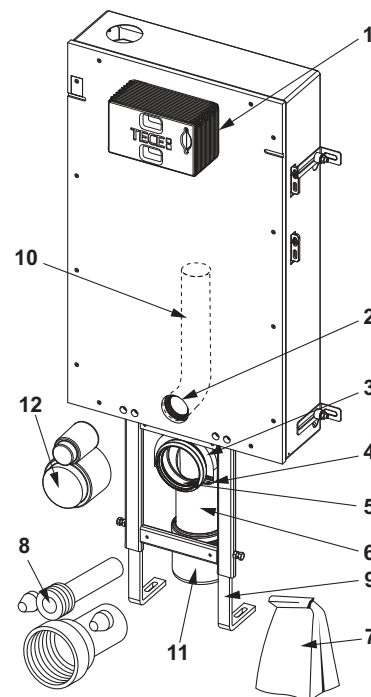
| Pos. | Item No. | Designation | DU 1 |
|------|----------|--|-------|
| 1 | 9820100 | Uni cistern 820 mm | 1 pc. |
| 2 | 9820015 | Flush pipe seal | 1 pc. |
| 3 | 9820139 | Seal for drain bend DN 90 | 1 pc. |
| 4 | 9820048 | Toilet drain bend holder | 1 pc. |
| 5 | 9820049 | Bracket toilet drain bend holder | 1 pc. |
| 6 | 9820135 | Toilet drain bend DN 90 (PP) | 1 pc. |
| 7 | 9820136 | Toilet connector, DN 90/100, PP | 1 pc. |
| 8 | 9820312 | Bare wall toilet plug for flush pipe and drain bend | 1 pc. |
| 9 | 9820057 | Toilet connection set, DN 90 | 1 pc. |
| 10 | 9820051 | By-pack for brick-wall-mounted cistern (mounting material, etc.) | 1 pc. |



TECEbox – Spare parts

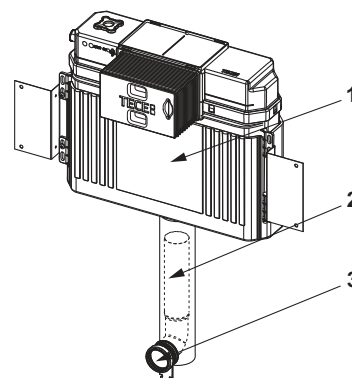
9371300 – TECEbox toilet module with Uni cistern, with tileable front facing, installation height 1110 mm

| Pos. | Item No. | Designation | DU 1 |
|------|----------|--|-------|
| 1 | 9820103 | Uni cistern 1120 mm | 1 pc. |
| 2 | 9820015 | Flush pipe seal | 1 pc. |
| 3 | 9820048 | Toilet drain bend holder | 1 pc. |
| 4 | 9820049 | Bracket toilet drain bend holder | 1 pc. |
| 5 | 9820139 | Seal for drain bend DN 90 | 1 pc. |
| 6 | 9820135 | Toilet drain bend DN 90 (PP) | 1 pc. |
| 7 | 9820051 | By-pack for brick-wall-mounted cistern (mounting material, etc.) | 1 pc. |
| 8 | 9820057 | Toilet connection set, DN 90 | 1 pc. |
| 9 | 9820073 | TECEbox plus feet | 1 pc. |
| 10 | 9820011 | Flush pipe with O-ring, length 269 mm, dry-wall construction | 1 pc. |
| 11 | 9820136 | Toilet connector, DN 90/100, PP | 1 pc. |
| 12 | 9820312 | Bare wall toilet plug for flush pipe and drain bend | 1 pc. |



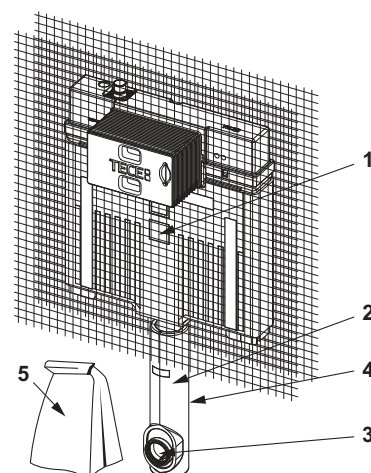
9041308 – TECEbox Uni cistern including mounting plate, installation height 1060 mm

| Pos. | Item No. | Designation | DU 1 |
|------|----------|--|-------|
| 1 | 9820103 | Uni cistern 1120 mm | 1 pc. |
| 2 | 9820011 | Flush pipe with O-ring, length 269 mm, dry-wall construction | 1 pc. |
| 3 | 9820015 | Flush pipe seal | 1 pc. |



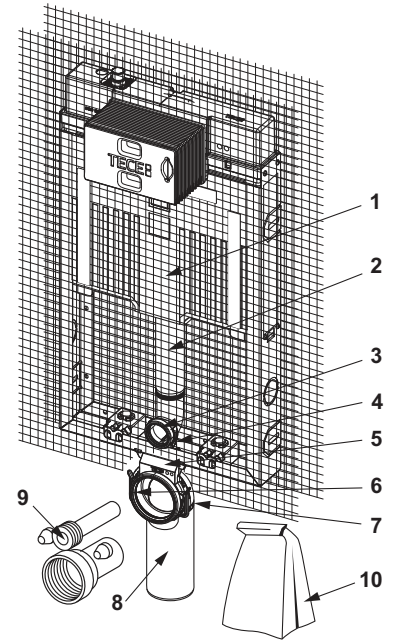
9370500 – TECEbox Octa II cistern, 8 cm, for floor-standing toilet, with reinforcement fabric, installation height 1075 mm

| Pos. | Item No. | Designation | DU 1 |
|------|----------|--|-------|
| 1 | 9820565 | Cistern Octa II | 1 pc. |
| 2 | 9820563 | Flush pipe Octa cistern | 1 pc. |
| 3 | 9820015 | Flush pipe seal | 1 pc. |
| 4 | 9820143 | Flush pipe polystyrene protection for Octa cistern, 8 cm | 1 pc. |
| 5 | 9820144 | By-pack for Octa cistern, 8 cm (mounting material, etc.) | 1 pc. |



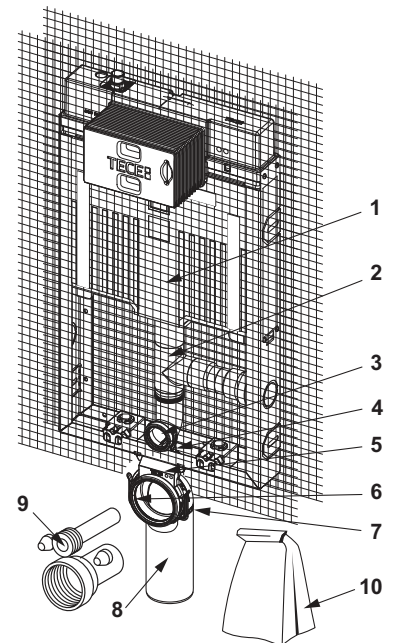
9370501 – TECEbox toilet module with Octa II cistern, 8 cm, for wall toilet, installation height 1075 mm

| Pos. | Item No. | Designation | DU 1 |
|------|----------|--|-------|
| 1 | 9820565 | Cistern Octa II | 1 pc. |
| 2 | 9820563 | Flush pipe Octa cistern | 1 pc. |
| 3 | 9820015 | Flush pipe seal | 1 pc. |
| 4 | 9820254 | Flush pipe holder for toilet | 1 pc. |
| 5 | 9820256 | Drain bend holder for Octa cistern, 8 cm | 1 pc. |
| 6 | 9820139 | Seal for drain bend DN 90 | 1 pc. |
| 7 | 9820042 | Bracket for toilet drain bend holder | 1 pc. |
| 8 | 9820150 | Toilet drain bend DN 90/90 PE-HD, for cisterns 8 cm | 1 pc. |
| 9 | 9820057 | Toilet connection set, DN 90 | 1 pc. |
| 10 | 9820146 | By-pack for Octa cistern, 8 cm (mounting material, etc.) | 1 pc. |



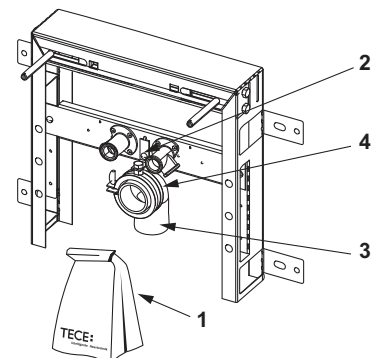
9370502 – TECEbox toilet module with Octa II cistern, 8 cm, for wall-hung toilet, with connection for odour extraction, installation height 1075 mm

| Pos. | Item No. | Designation | DU 1 |
|------|----------|--|-------|
| 1 | 9820565 | Cistern Octa II | 1 pc. |
| 2 | 9820577 | TECEbox flush pipe with odour extraction DN 50 right | 1 pc. |
| | 9820576 | TECEbox flush pipe with odour extraction DN 50 left | 1 pc. |
| 3 | 9820015 | Flush pipe seal | 1 pc. |
| 4 | 9820255 | Flush pipe holder for Octa cistern, 8 cm | 1 pc. |
| 5 | 9820256 | Drain bend holder for Octa cistern, 8 cm | 1 pc. |
| 6 | 9820139 | Seal for drain bend DN 90 | 1 pc. |
| 7 | 9820042 | Bracket for toilet drain bend holder | 1 pc. |
| 8 | 9820150 | Toilet drain bend DN 90/90 PE-HD, for cisterns 8 cm | 1 pc. |
| 9 | 9820057 | Toilet connection set, DN 90 | 1 pc. |
| 10 | 9820146 | By-pack for Octa cistern, 8 cm (mounting material, etc.) | 1 pc. |



9370032 – TECEbox washstand module, installation depth 8 cm

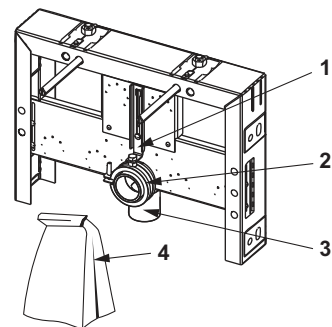
| Pos. | Item No. | Designation | DU 1 |
|------|----------|---|-------|
| 1 | 9820153 | By-pack for washstand brick-wall module, depth 8 cm (mounting material, etc.) | 1 pc. |
| 2 | 9820149 | Clamp for drain bend holder, 50 mm, bidet 8 cm | 1 pc. |
| 3 | 9820151 | PE-HD drain bend holder for washstand and bidet module, depth 8 cm | 1 pc. |
| 4 | 9820152 | Rubber collar for 50 mm drain bend holder | 1 pc. |



TECEbox – Spare parts

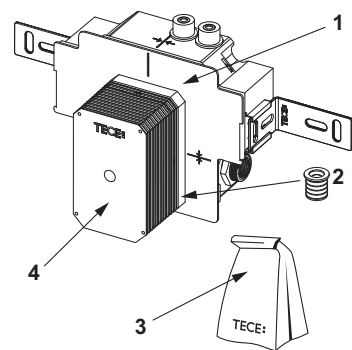
9370045 – TECEbox bidet module, installation depth 8 cm

| Pos. | Item No. | Designation | DU 1 |
|------|----------|---|-------|
| 1 | 9820149 | Clamp for drain bend holder, 50 mm, bidet 8 cm | 1 pc. |
| 2 | 9820152 | Rubber collar for 50 mm drain bend holder | 1 pc. |
| 3 | 9820151 | PE-HD drain bend holder for washstand and bidet module, depth 8 cm | 1 pc. |
| 4 | 9820148 | By-pack for bidet brick-wall module, depth 8 cm (mounting material, etc.) | 1 pc. |



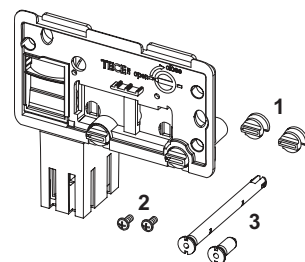
9370040 – TECEbox urinal flush valve housing U 2

| Pos. | Item No. | Designation | DU 1 |
|------|----------|---|-------|
| 1 | 9820553 | Transformer 230 V/12 V | 1 pc. |
| 2 | 9820424 | Seal water outlet | 1 pc. |
| 3 | 9820440 | By-pack for urinal flush valve U 2 | 1 pc. |
| 4 | 9820470 | Bare-wall protection urinal flush valve housing U 2 | 1 pc. |



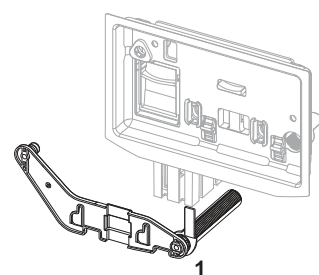
9240950 – TECE insert chute for cleaning tablets

| Pos. | Item No. | Designation | DU 1 |
|------|----------|------------------------------|-------|
| 1 | 9820191 | Clamping screws set | 1 pc. |
| 2 | 9820263 | Fastening screws (2003-2020) | 1 pc. |
| 3 | 9820349 | Guide rods for insert chute | 1 pc. |



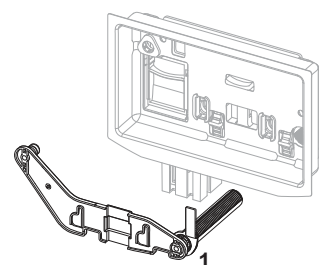
9240951 – TECE insert chute II for cleaning tablets (TECElux Mini, TECEsquare glass, TECEvelvet, TECEloop and TECEnow)

| Pos. | Item No. | Designation | DU 1 |
|------|----------|--------------------------------|-------|
| 1 | 9820688 | Guide rods for insert chute II | 1 pc. |



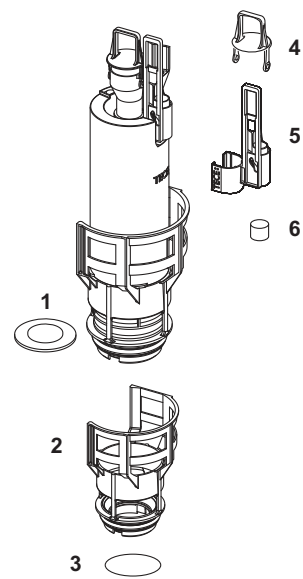
9240952 – TECE insert chute II for cleaning tablets (TECEsquare II metal, TECEsquare II glass and TECEsolid)

| Pos. | Item No. | Designation | DU 1 |
|------|----------|--------------------------------|-------|
| 1 | 9820693 | Guide rods for insert chute II | 1 pc. |



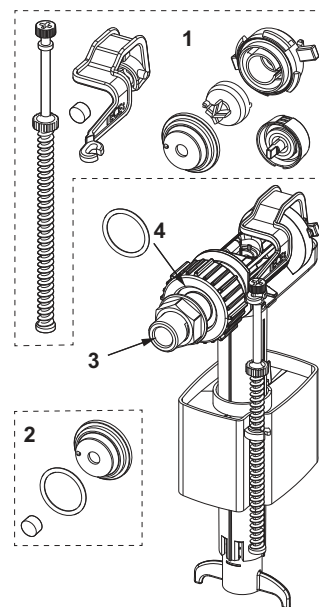
9820223 – TECE drain valve A 2

| Pos. | Item No. | Designation | DU 1 |
|------|----------|---|-------|
| 1 | 9820233 | Gasket (drain valve) | 1 pc. |
| 2 | 9820231 | Valve seat with standard throttle (ø 36 mm) | 1 pc. |
| 3 | 9820005 | O-ring (valve seat) | 1 pc. |
| 4 | 9820222 | Draw eyelet | 1 pc. |
| 5 | 9820229 | Pull rod for electrical actuation | 1 pc. |
| 6 | 9820420 | Additional weight small pull rod | 1 pc. |



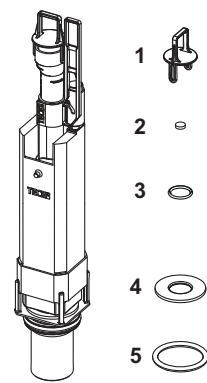
9820353 – TECE filling valve F 10 universal

| Pos. | Item No. | Designation | DU 1 |
|------|----------|---|-------|
| 1 | 9820382 | Filling valve F 10 valve lever set | 1 pc. |
| 2 | 9820383 | Filling valve F 10 sealing kit | 1 pc. |
| 3 | 9820398 | Filling valve F 10 threaded connection 3/8" | 1 pc. |
| 4 | 9820587 | Filling valve F 10 water connection O-ring M 30 | 1 pc. |



9820561 – TECE drain valve A 5

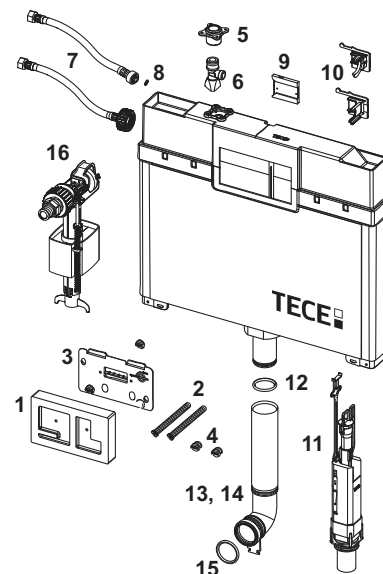
| Pos. | Item No. | Designation | DU 1 |
|------|----------|--|-------|
| 1 | 9820564 | Draw eyelet drain valve A 5 | 1 pc. |
| 2 | 9820275 | Additional weight drain valve A 3 and A 5 | 1 pc. |
| 3 | 9820446 | O-ring joint for drain valve A 3 and A 5 (10 pieces) | 1 pc. |
| 4 | 9820161 | Foot seal A 3 and A 5 | 1 pc. |
| 5 | 9820220 | O-ring valve seat for drain valve A 3 and A 5 | 1 pc. |



TECEbox – Spare parts

9820250 – TECE Octa cistern, 8 cm (available until 09/2021)

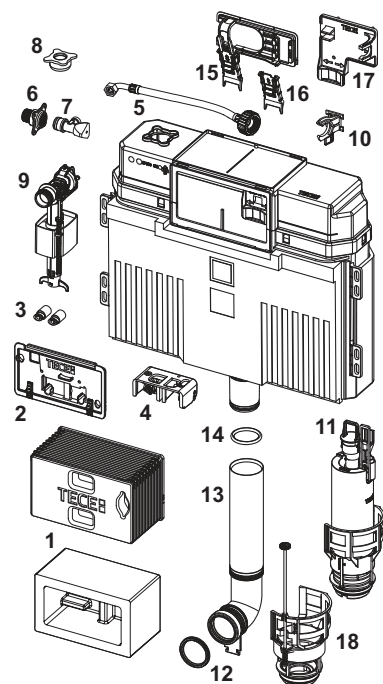
| Pos. | Item No. | Designation | DU 1 |
|------|----------|--|-------|
| 1 | 9820188 | Bare-wall protection system, short | 1 pc. |
| 2 | 9820189 | Attaching rod set, short | 1 pc. |
| 3 | 9820194 | Splash guard, complete | 1 pc. |
| 4 | 9820191 | Clamping screws set | 1 pc. |
| 5 | 9820012 | Cistern connection | 1 pc. |
| 6 | 9820013 | Corner valve | 1 pc. |
| 7 | 9820217 | Reinforced hose complete for Octa cistern 3/8", 8 cm | 1 pc. |
| | 9820376 | Reinforced hose M 30 | 1 pc. |
| 8 | 9820221 | Reinforced hose O-ring | 1 pc. |
| 9 | 9820216 | Retainer for filling valve holder | 1 pc. |
| 10 | 9820375 | Filling valve holder for Octa cistern (27 mm, M 30) | 1 pc. |
| | 9820215 | Filling valve holder for Octa cistern (17 mm, 3/8") | 1 pc. |
| 11 | 9820224 | Drain valve A 3 for Octa cistern, 8 cm | 1 pc. |
| 12 | 9820014 | O-ring | 1 pc. |
| 13 | 9820192 | Flush pipe with O-ring, brick-wall construction | 1 pc. |
| 14 | 9820011 | Flush pipe with O-ring, length 269 mm, dry-wall construction | 1 pc. |
| 15 | 9820015 | Flush pipe seal | 1 pc. |
| 16 | 9820353 | Filling valve F 10 universal | 1 pc. |



9820103 – TECE Uni cistern 1120 mm

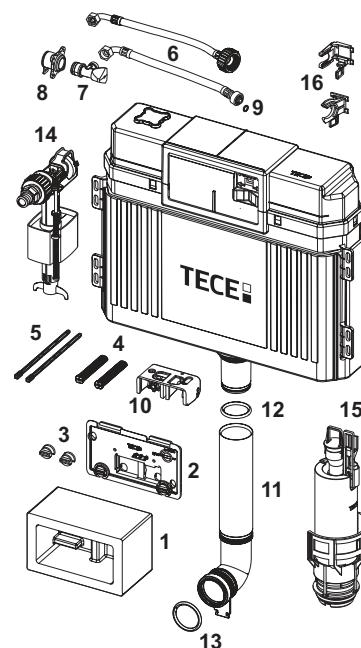
Valid from: April 2021

| Pos. | Item No. | Designation | DU 1 |
|------|----------|---|------------------|
| 1 | 9820499 | Installation tunnel incl. polystyrene block | 1 pc. |
| | 9820027 | Bare-wall protection system | 1 pc. |
| 2 | 9820017 | Splash guard, complete | 1 pc. |
| 3 | 9820496 | "easy fit" attachment (from 2021) | 1 pc. |
| 4 | 9820016 | Actuation block | 1 pc. |
| 5 | 9820374 | Reinforced hose M 30 (from 2020) | 1 pc. |
| 6 | 9820012 | Cistern connection | 1 pc. |
| 7 | 9820013 | Corner valve | 1 pc. |
| 8 | 9820495 | Closure plug Uni cistern | 1 pc. |
| 9 | 9820353 | Filling valve F 10 universal | 1 pc. |
| 10 | 9820373 | Filling valve holder for Uni cistern (27 mm, M 30, from 2020) | 1 pc. |
| 11 | 9820223 | Drain valve A 2 | 1 pc. |
| 12 | 9820015 | Flush pipe seal | 1 pc. |
| 13 | 9820011 | Flush pipe with O-ring, length 269 mm, dry-wall construction | 1 pc. |
| | 9820331 | Extra long flush pipe, length 369 mm | 1 pc. |
| 14 | 9820014 | O-ring | 1 pc. |
| 15 | 9820698* | Hold-down device version slider | NEW 1 pc. |
| 16 | 9820699* | Slider for hold-down device | NEW 1 pc. |
| 17 | 9820700* | Hold-down device version replacement 2003-2014 | NEW 1 pc. |
| 18 | 9820670 | Valve seat with adjustable flush flow throttle | 1 pc. |



Valid till: March 2021

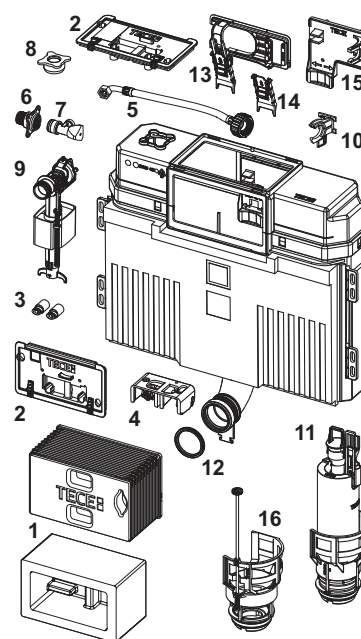
| Pos. | Item No. | Designation | DU 1 |
|------|----------|--|-------|
| 1 | 9820027 | Bare-wall protection system | 1 pc. |
| 2 | 9820017 | Splash guard, complete | 1 pc. |
| 3 | 9820018 | Clamping screws | 1 pc. |
| 4 | 9820019 | Attaching rods (2003-2020) | 1 pc. |
| 5 | 9820022 | Actuation rods (2003-2020) | 1 pc. |
| 6 | 9820026 | Reinforced hose 3/8" (until 2019) | 1 pc. |
| | 9820374 | Reinforced hose M 30 (from 2020) | 1 pc. |
| 7 | 9820013 | Corner valve | 1 pc. |
| 8 | 9820012 | Cistern connection | 1 pc. |
| 9 | 9820025 | O-ring | 1 pc. |
| 10 | 9820016 | Actuation block | 1 pc. |
| 11 | 9820011 | Flush pipe with O-ring, length 269 mm, dry-wall construction | 1 pc. |
| | 9820331 | Extra long flush pipe, length 369 mm | 1 pc. |
| 12 | 9820014 | O-ring | 1 pc. |
| 13 | 9820015 | Flush pipe seal | 1 pc. |
| 14 | 9820353 | Filling valve F 10 universal | 1 pc. |
| 15 | 9820223 | Drain valve A 2 | 1 pc. |
| 16 | 9820372 | Filling valve holder for Uni cistern (17 mm, 3/8", up to 2019) | 1 pc. |
| | 9820373 | Filling valve holder for Uni cistern (27 mm, M 30, from 2020) | 1 pc. |



9820100 – TECE Uni cistern 820 mm

Valid from: April 2021

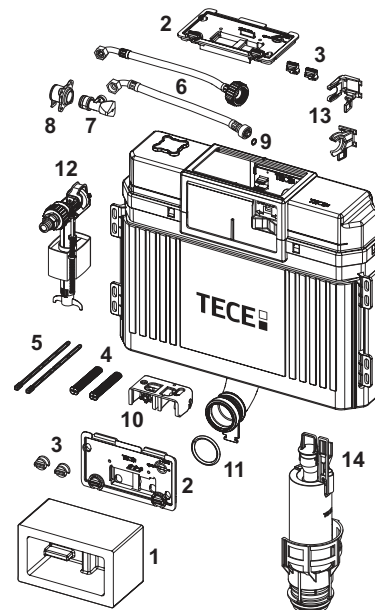
| Pos. | Item No. | Designation | DU 1 |
|------|----------|---|------------------|
| 1 | 9820499 | Installation tunnel incl. polystyrene block | 1 pc. |
| | 9820027 | Bare-wall protection system | 1 pc. |
| 2 | 9820017 | Splash guard, complete | 1 pc. |
| 3 | 9820496 | "easy fit" attachment (from 2021) | 1 pc. |
| 4 | 9820016 | Actuation block | 1 pc. |
| 5 | 9820374 | Reinforced hose M 30 (from 2020) | 1 pc. |
| 6 | 9820012 | Cistern connection | 1 pc. |
| 7 | 9820013 | Corner valve | 1 pc. |
| 8 | 9820495 | Closure plug Uni cistern | 1 pc. |
| 9 | 9820353 | Filling valve F 10 universal | 1 pc. |
| 10 | 9820373 | Filling valve holder for Uni cistern (27 mm, M 30, from 2020) | 1 pc. |
| 11 | 9820223 | Drain valve A 2 | 1 pc. |
| 12 | 9820015 | Flush pipe seal | 1 pc. |
| 13 | 9820698* | Hold-down device version slider | NEW 1 pc. |
| 14 | 9820699* | Slider for hold-down device | NEW 1 pc. |
| 15 | 9820700* | Hold-down device version replacement 2003-2014 | NEW 1 pc. |
| 16 | 9820670 | Valve seat with adjustable flush flow throttle | 1 pc. |



TECEbox – Spare parts

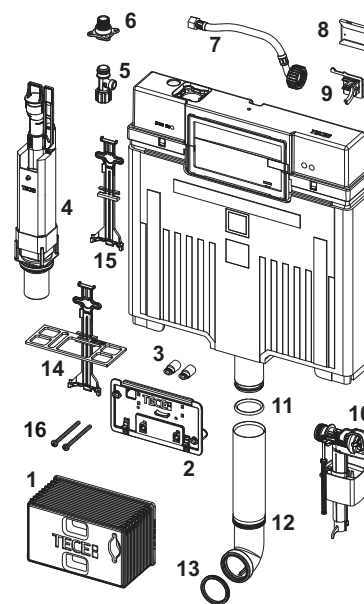
Valid till: March 2021

| Pos. | Item No. | Designation | DU 1 |
|------|----------|--|-------|
| 1 | 9820027 | Bare-wall protection system | 1 pc. |
| 2 | 9820017 | Splash guard, complete | 1 pc. |
| 3 | 9820018 | Clamping screws | 1 pc. |
| 4 | 9820019 | Attaching rods (2003-2020) | 1 pc. |
| 5 | 9820022 | Actuation rods (2003-2020) | 1 pc. |
| 6 | 9820026 | Reinforced hose 3/8" (until 2019) | 1 pc. |
| | 9820374 | Reinforced hose M 30 (from 2020) | 1 pc. |
| 7 | 9820013 | Corner valve | 1 pc. |
| 8 | 9820012 | Cistern connection | 1 pc. |
| 9 | 9820025 | O-ring | 1 pc. |
| 10 | 9820016 | Actuation block | 1 pc. |
| 11 | 9820015 | Flush pipe seal | 1 pc. |
| 12 | 9820353 | Filling valve F 10 universal | 1 pc. |
| 13 | 9820372 | Filling valve holder for Uni cistern (17 mm, 3/8", up to 2019) | 1 pc. |
| | 9820373 | Filling valve holder for Uni cistern (27 mm, M 30, from 2020) | 1 pc. |
| 14 | 9820223 | Drain valve A 2 | 1 pc. |



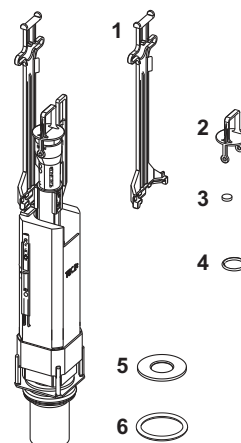
9820565 – TECE cistern Octa II

| Pos. | Item No. | Designation | DU 1 |
|------|----------|---|-------|
| 1 | 9820499 | Installation tunnel incl. polystyrene block | 1 pc. |
| 2 | 9820194 | Splash guard, complete | 1 pc. |
| 3 | 9820496 | "easy fit" attachment (from 2021) | 1 pc. |
| 4 | 9820561 | Drain valve A 5 | 1 pc. |
| 5 | 9820013 | Corner valve | 1 pc. |
| 6 | 9820012 | Cistern connection | 1 pc. |
| 7 | 9820562 | Reinforced hose | 1 pc. |
| 8 | 9820216 | Retainer for filling valve holder | 1 pc. |
| 9 | 9820375 | Filling valve holder for Octa cistern (27 mm, M 30) | 1 pc. |
| 10 | 9820353 | Filling valve F 10 universal | 1 pc. |
| 11 | 9820014 | O-ring | 1 pc. |
| 12 | 9820563 | Flush pipe Octa cistern | 1 pc. |
| 13 | 9820015 | Flush pipe seal | 1 pc. |
| 14 | 9820439 | Stiffening element incl. hold-down device | 1 pc. |
| 15 | 9820163 | Hold-down drain device valve for cisterns 8 cm | 1 pc. |
| 16 | 9820574 | "easy fit" attachment screws, short | 1 pc. |



9820224 – TECE drain valve A 3 for Octa cistern, 8 cm

| Pos. | Item No. | Designation | DU 1 |
|------|----------|--|-------|
| 1 | 9820163 | Hold-down drain device valve for cisterns 8 cm | 1 pc. |
| 2 | 9820222 | Draw eyelet | 1 pc. |
| 3 | 9820275 | Additional weight drain valve A 3 and A 5 | 1 pc. |
| 4 | 9820446 | O-ring joint for drain valve A 3 and A 5 (10 pieces) | 1 pc. |
| 5 | 9820161 | Foot seal A 3 and A 5 | 1 pc. |
| 6 | 9820220 | O-ring valve seat for drain valve A 3 and A 5 | 1 pc. |



TECE flush valve cartridge U 1

Flush valve cartridge for flush valve housing U 1.

| | |
|-----------------|-------------|
| Item No. | DU 1 |
| 9820031 | 1 pc. |

**TECE seal for flush pipe connection**

| | |
|-----------------|-------------|
| Item No. | DU 1 |
| 9820213 | 1 pc. |

**TECE flush pipe connection 20 cm**

PP flush pipe connection for wall-mounted toilets.

| | |
|-----------------|-------------|
| Item No. | DU 1 |
| 9820246 | 1 pc. |





TECEP
Sinter



Plumbing Framework

TECEprofil PRE-WALL PROFILE

TECEprofil



| | Page |
|-------------------------------------|------|
| Basic components | 226 |
| Toilet connection units | 228 |
| Washstand connection units | 229 |
| Urinal connection units | 231 |
| Fitting connections | 232 |
| Safety arm support, mounting plates | 235 |
| Supporting frame accessories | 236 |
| Panel facing | 239 |
| Tools | 241 |
| Spare parts | 242 |

An overview of valid Declaration of Performance (DoP) is available on our website www.tece.com.

Notes:

DU 1 = minimum order quantity per item; sometimes it is not possible to order smaller quantities for technical reasons

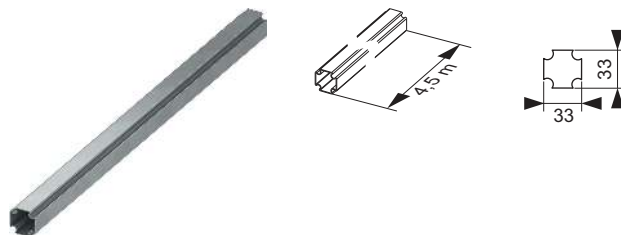
DU 2 = Euro palette for modules

TECEprofil – Basic components

TECEprofil section tube

Section tube to create a supporting framework to hold structural TECEprofil components; made of rolled steel, welded and galvanised.

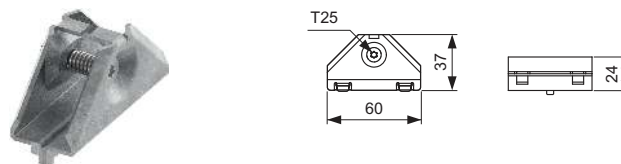
| Item No. | DU 1 | DU 2 | DU 3 |
|----------|------|-------|--------|
| 9000000 | 18 m | 630 m | 1890 m |



TECEprofil corner joint

Corner joint for a solid, right-angled connection with TECEprofil section tubes; pre-assembled unit made of galvanised steel; T25 screw and compression spring.

| Item No. | DU 1 | DU 2 |
|----------|--------|----------|
| 9010002 | 30 pc. | 5400 pc. |

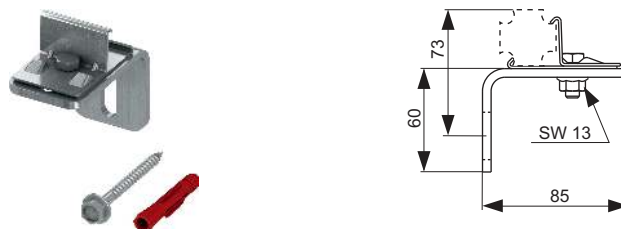


TECEprofil angle bracket

Angle bracket for attaching TECEprofil section tubes to structure. Pre-assembled galvanised steel unit incl. mounting materials.

Optional: TECEprofil sound insulation set for angle bracket 9021019.

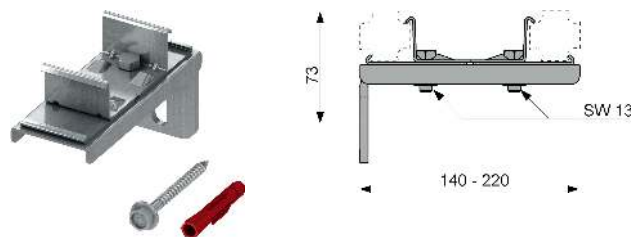
| Item No. | DU 1 | DU 2 |
|----------|--------|----------|
| 9030002 | 10 pc. | 1800 pc. |



TECEprofil double joint

Double joint to simultaneously attach two TECEprofil section tubes to the structure. For supporting structure depths of 140-220 mm. Pre-assembled galvanised steel unit incl. mounting materials.

Optional: TECEprofil sound insulation set for angle bracket 9021019.

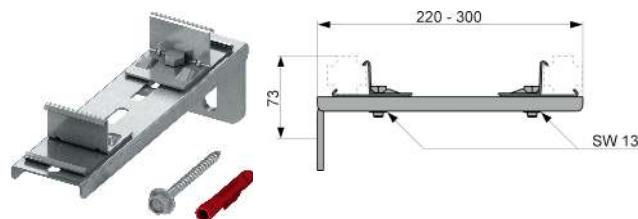


| Item No. | DU 1 | DU 2 |
|----------|-------|---------|
| 9030011 | 5 pc. | 900 pc. |

TECEprofil double joint, long version

Double joint to simultaneously attach two TECEprofil section tubes to the structural body. For duct and supporting frame depths of 220-300 mm. Pre-assembled galvanised steel unit incl. mounting materials.

Optional: TECEprofil sound insulation set for angle bracket 9021019.



| Item No. | DU 1 | DU 2 |
|----------|-------|---------|
| 9030013 | 2 pc. | 250 pc. |

TECEprofil sound-insulation set for angle brackets

Sound insulation kit for sound insulation of angle brackets at structural body.



| Item No. | DU 1 | DU 2 |
|----------|--------|---------|
| 9021019 | 50 pc. | 200 pc. |

TECEprofil – Toilet connection units

TECEprofil toilet connection unit with Uni cistern

Toilet connection unit including “easy fit” flush plate installation. For installation in a TECEprofil supporting frame.

Uni cistern for front actuation:

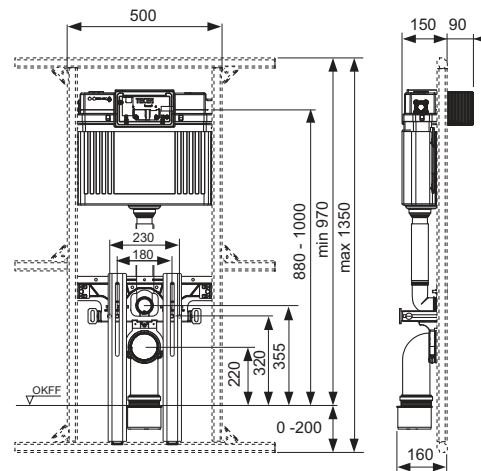
- Safety tank made of impact-resistant plastic, tested to EN 14055
- Cistern fully pre-assembled and sealed.
- Cistern connection with outer thread R 1/2" at the side, compatible with quick adapters
- 10 litre tank volume; 6 litre pre-set standard flush volume, 4.5/7.5/9-litre flush volume can be set at any time; 3-litre partial flush volume for dual-flush system; remaining volume can be used for immediate cleaning flush.
- Insulated against condensation water
- For TECE flush plates and toilet flush handle
- Can be used as a single or dual-flush cistern
- “easy fit” flush plate installation
- Installation tunnel for service opening, can be shortened without tools
- Low-noise hydraulic filling valve, fitting group 1 according to DIN 4109
- Flow control throttle without removing the drain valve

Connection unit:

- 180 or 230 mm crossbeams for toilet mounting
- Two M 12 retaining bolts and nuts
- Two adjustable floor supports for floor projections of 0-200 mm
- Toilet drain bend DN 90 with joint adapter DN 90/100, made of PP
- Joint adapter also suitable for horizontal installation
- DN 90 toilet connection set including protective plug

Please order separately:

- Toilet flush plate (see flush plates)
- Insert chute for cleaning tablets (optional)



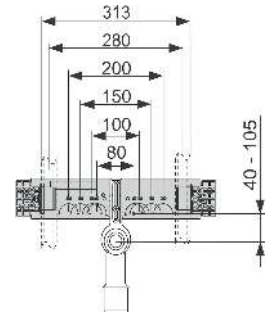
| Item No. | DU 1 | DU 2 |
|----------|-------|--------|
| 9041306 | 1 pc. | 10 pc. |

TECEprofil connection unit for washstand

Sound-insulated galvanised steel crossbeam for assembly of wall disks by the customer, with pre-assembled connection bend DN 40/50, rubber collar, nominal diameter 30/50, protective plug, mounting material for attaching to TECEprofil section tubes, 2 x M 10 fixing brackets and washstand attachments.

Please order separately:

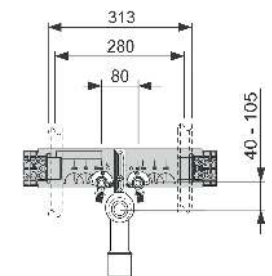
- Wall disks TECEflex 16 x 1/2", TECElogo 16 x 1/2" or TECElogo-Push 20 universal connection x 1/2"



| Item No. | DU 1 | DU 2 |
|----------|-------|--------|
| 9020033 | 1 pc. | 75 pc. |

TECEprofil connection unit for washstand incl. TECEflex or TECElogo-Push wall disks

Sound-insulated galvanised steel crossbeam, pre-assembled wall disks with pre-set centre 80 mm bore hole, pre-assembled connection bend DN 40/50, with rubber collar nominal diameter 30/50, (also acts as seal), incl. protective plug, mounting material for attaching to TECEprofil section tubes, 2 x M 10 fixing brackets and washstand attachments.



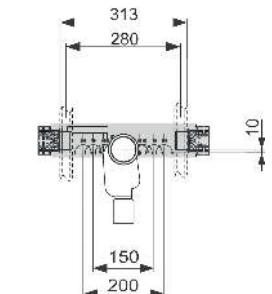
| Version | Item No. | DU 1 | DU 2 |
|--|----------|-------|--------|
| TECEflex 16 x 1/2" silicon bronze | 9020049 | 1 pc. | - |
| TECElogo-Push 20 x 1/2" silicon bronze | 9020050 | 1 pc. | 10 pc. |

TECEprofil connection unit for washstand with concealed odour trap

Sound-insulated galvanised steel crossbeam, for assembly of wall disks on site, with pre-assembled DN 50 concealed odour trap, NW 30, removable U-bend insert (also serves as seal), incl. protective plug, fixing material for attaching to TECEprofil section tubes, 2 x M 10 fixing brackets and washstand attachments.

Please order separately:

- Wall disks TECEflex 16 x 1/2", TECElogo 16 x 1/2" or TECElogo-Push 20 universal connection x 1/2"
- Connection bend for concealed odour trap 9080001



| Item No. | DU 1 | DU 2 |
|----------|-------|--------|
| 9020034 | 1 pc. | 50 pc. |

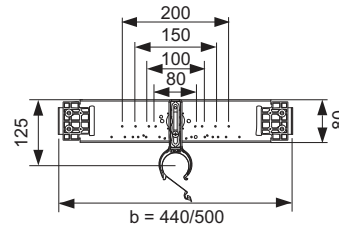
TECEprofil – Washstand connection units

TECE connection unit for washstand

Sound-insulated galvanised steel crossbeam, for assembly of wall disks on site, incl. pre-assembled drain retainer, for installation in C-profile walls.

Please order separately:

- Wall disks TECEflex 16 x 1/2", TECElogo 16 x 1/2" or TECElogo-Push 20 universal connection x 1/2"
- Toilet drain bend DN 50/40
- Rubber collar ND 30/50



| Version | Item No. | DU 1 | DU 2 |
|---------|----------|-------|---------|
| 440 mm | 9020048 | 1 pc. | 100 pc. |
| 500 mm | 9020054 | 1 pc. | 40 pc. |

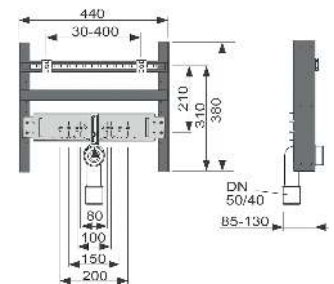
TECE washstand support for the installation in metal or wooden stud walls

Pre-assembled unit, consisting of:

- Installation frame, powder coated
- Two M 10 retaining bolts, vertically and laterally adjustable distance gauge
- Mounting connection crossbeam
- Connection bend DN 40/50 with rubber collar, NW 30/50, protective plug

Please order separately:

- Wall disks TECEflex 16 x 1/2", TECElogo 16 x 1/2" or TECElogo-Push 20 universal connection x 1/2"



| Item No. | DU 1 | DU 2 |
|----------|-------|--------|
| 9510003 | 1 pc. | 42 pc. |

TECEprofil connection unit for urinal with TECE flush valve housing U 1

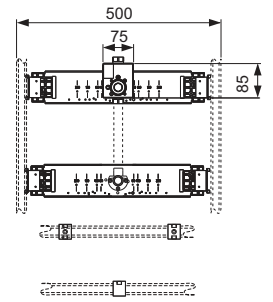
To hold manual and electronic actuation systems.

Completely pre-assembled unit, consisting of:

- Sound-insulated galvanised steel crossbeam
- TECE urinal flush valve housing with inlet flow control and bare-wall protection
- Fitting connection 1/2" x 1/2"
- 3 x M 8 fixing brackets
- Urinal fixing material
- Inlet fittings

Please order separately:

- Manual or electronic actuation



| | |
|----------|-------|
| Item No. | DU 1 |
| 9020038 | 1 pc. |

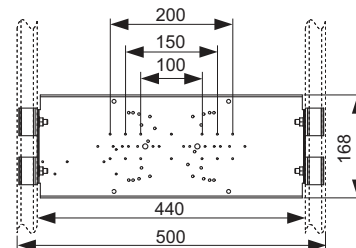
TECEprofil – Fitting connections

TECEprofil mounting crossbeam including clamps for flush-mounted and external fittings **NEW**

Crossbeam made of galvanised steel, for on-site installation of concealed and surface-mounted fittings, including fixing material for fastening to TECEprofil profile pipes or for installation in metal or wooden stud walls. Suitable for example for Hansa Varox, Hansgohe iBox universal/universal 2 and Kludi Flex-Box.

Please order separately:

- Wall discs TECEflex 16 x 1/2", TECElogo 16 x 1/2" or TECElogo-Push 20 universal connection x 1/2"



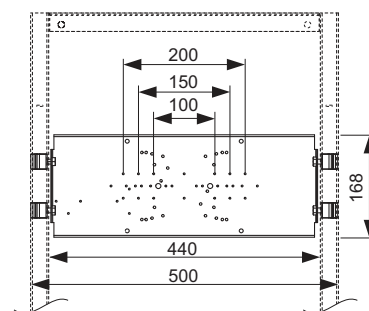
| Item No. | | DU 1 | DU 2 |
|----------|-----|-------|--------|
| 9020060* | NEW | 1 pc. | 10 pc. |

TECEprofil mounting crossbeam including foot brake for flush-mounted and external fitting for subsequent installation in washstand modules **NEW**

Galvanised steel crossbeam for the customer to assemble flush-mounted and external fittings; incl. mounting material for subsequent installation in TECEprofil washstand modules or for installation in metal or wooden stud walls. Suitable for example for Hansa Varox, Hansgohe iBox universal/universal 2 and Kludi Flex-Box.

Please order separately:

- Wall discs TECEflex 16 x 1/2", TECElogo 16 x 1/2" or TECElogo-Push 20 universal connection x 1/2"



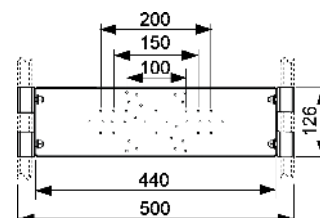
| Item No. | | DU 1 | DU 2 |
|----------|-----|-------|--------|
| 9020061* | NEW | 1 pc. | 10 pc. |

TECEprofil mounting crossbeam for flush-mounted and wall-mounted fittings

Crossbeam made of galvanised steel, for on-site installation of concealed and surface-mounted fittings, including fixing material for fastening to TECEprofil profile pipes or for installation in metal or wooden stud walls. Compatible for example with Hansa Varox, Hansgrohe the universal box and Kludi Flex-Box.

Please order separately:

- Wall disks TECEflex 16 x 1/2", TECElogo 16 x 1/2" or TECElogo-Push 20 universal connection x 1/2"



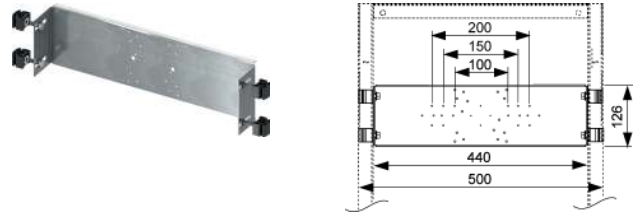
| Item No. | | DU 1 | DU 2 |
|----------|------|-------|--------|
| 9020040 | SALE | 1 pc. | 10 pc. |

TECEprofil mounting crossbeam for flush-mounted and wall-mounted fitting for subsequent installation in washstand modules

Galvanised steel crossbeam to assemble flush-mounted and wall-mounted fittings; incl. mounting material for subsequent installation in TECEprofil washstand modules or for installation in metal or wooden stud walls. Compatible e.g. with Hansa Varox, Hansgrohe iBox universal and Kludi Flex-Box.

Please order separately:

- Wall disks TECEflex 16 x 1/2", TECElogo 16 x 1/2" or TECElogo-Push 20 universal connection x 1/2"



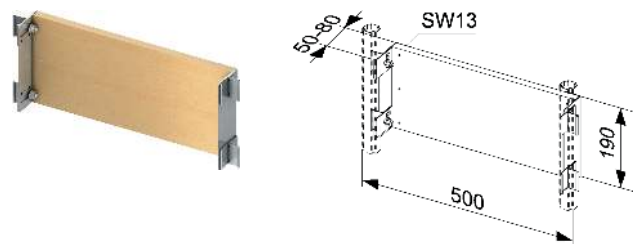
| Item No. | | DU 1 | DU 2 |
|----------|------|-------|--------|
| 9020041 | SALE | 1 pc. | 10 pc. |

TECEprofil mounting plate for flush-mounted fittings

Continuously height-adjustable assembly plate to attach flush-mounted fittings and other appointments.

Pre-assembled unit, consisting of:

- Base plate made of watertight, glued structural veneer in keeping with German standard DIN 68705
- Mounting elbow, galvanised
- Four multi-clamps



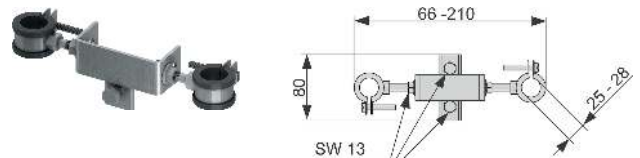
| Item No. | | DU 1 |
|----------|--|-------|
| 9150000 | | 1 pc. |

TECEprofil connection unit for stop valve and water meter

Holder to firmly retain standard commercial stop valves and water meters using pipe clips; continuously adjustable in terms of spacing, depth and height.

Pre-assembled unit, consisting of:

- Two pipe clips with sound-insulating rubber
- Mounting material for fitting to TECEprofil section tube



| Item No. | | DU 1 | DU 2 |
|----------|------|-------|--------|
| 9020019 | SALE | 1 pc. | 10 pc. |

TECEprofil connection unit for washing machine

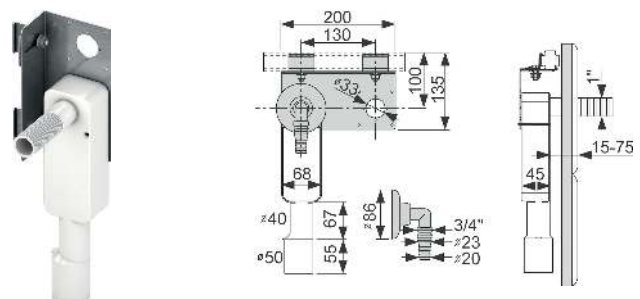
For horizontal or vertical installation in a TECEprofil supporting frame.

Consisting of:

- Galvanised steel crossbeams to attach U-bend and wall disk
- In-built U-bend for washing machine, DN 40/50
- Chromed hose connection
- Chromed rosette
- Fixing material to attach to a TECEprofil brace

Please order separately:

- Wall disks TECEflex 16 x 1/2", TECElogo 16 x 1/2" or TECElogo-Push 20 universal connection x 1/2"



| Item No. | | DU 1 | DU 2 |
|----------|--|-------|--------|
| 9020036 | | 1 pc. | 60 pc. |

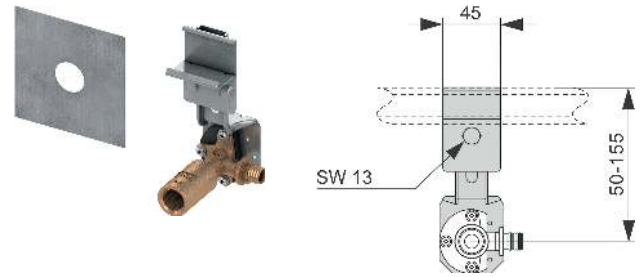
TECEprofil – Fitting connections

TECEprofil mounting connection

To fit an individual tap connection to the TECEprofil supporting frame.

Pre-assembled unit, consisting of:

- Wall disk TECEflex 16 x 1/2", long or TECE 1/2" x 1/2", long or TECElogo-Push 20 universal connection x 1/2"
- Sound insulation from supporting frame
- Self-adhesive seal collar to seal between panel and wall disk
- Fixing material to attach to a TECEprofil section tube
- Marking plug



| Version | Item No. | | DU 1 | DU 2 |
|--|----------|------|-------|-------|
| TECE 1/2" x 1/2" silicon bronze | 9020004 | | 1 pc. | 4 pc. |
| without wall disk | 9020046 | | 1 pc. | 4 pc. |
| TECEflex 16 x 1/2" silicon bronze | 9020051 | | 1 pc. | 4 pc. |
| TECElogo-Push 20 x 1/2" silicon bronze | 9020052 | SALE | 1 pc. | 4 pc. |

TECEprofil system wall disks

Long dry-wall construction disk to mount on site with washstands, bidet and fittings in the TECEprofil system.

Consisting of:

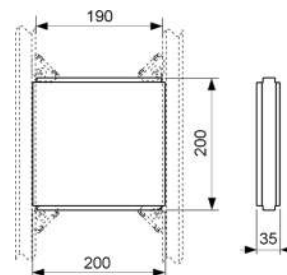
- Wall disk TECEflex 16 x 1/2", long or TECE 1/2" x 1/2", long or TECElogo-Push 20 universal connection x 1/2"
- Self-adhesive seal collar to seal between panel and wall disk
- Mounting material
- Marking plug



| Version | D | d | Length | Item No. | | DU 1 | DU 2 |
|--|---------|----------------------------|--------|----------|------|-------|--------|
| TECE 1/2" x 1/2" silicon bronze | Rp 1/2" | Rp 1/2" | 82 mm | 9021017 | | 1 pc. | 10 pc. |
| TECEflex 16 x 1/2" silicon bronze | Rp 1/2" | Dim. 16 TECEflex | 82 mm | 9021021 | | 1 pc. | 10 pc. |
| TECElogo-Push 20 x 1/2" silicon bronze | Rp 1/2" | 20 mm universal connection | 87 mm | 9021022 | SALE | 1 pc. | 20 pc. |

TECEprofil mounting plate for additional appointments, 200 x 200 mm

Mounting plate for a stable attachment of additional appointments, e.g., mirror cupboard in a TECEprofil supporting frame; made of watertight, glued structural veneer to DIN 68705.



| Item No. | DU 1 | DU 2 |
|----------|-------|--------|
| 9042005 | 1 pc. | 50 pc. |

TECEprofil module for safety arm support and support systems

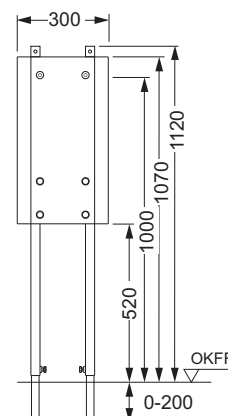
For installation in a UA profile stud wall or as pre-wall element.

Pre-assembled unit, consisting of:

- Self-supporting mounting frame, powder-coated
- Watertight, multi-glued wood inlay panel
- Mounting materials for fixing to a UA profile wall

Please order separately:

- Depth-adjustable module attachment for pre-wall assembly



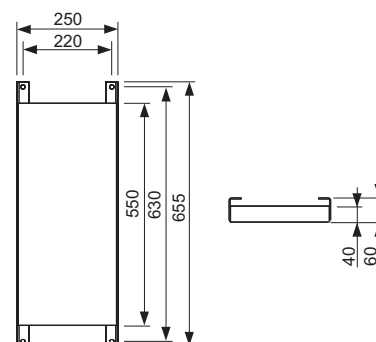
| Item No. | DU 1 | DU 2 | DU 3 |
|----------|-------|--------|--------|
| 9360000 | 1 pc. | 14 pc. | 28 pc. |

TECEprofil mounting plate for safety arm support and support systems

For the stable fixing of support handles and holding systems in a TECEprofil supporting structure or a UA profile stud wall.

Pre-assembled unit, consisting of:

- Attachment plate for screwing to a TECEprofil universal module, of watertight glued veneer
- Two multi-clamps for fixing to the TECEprofil supporting structure



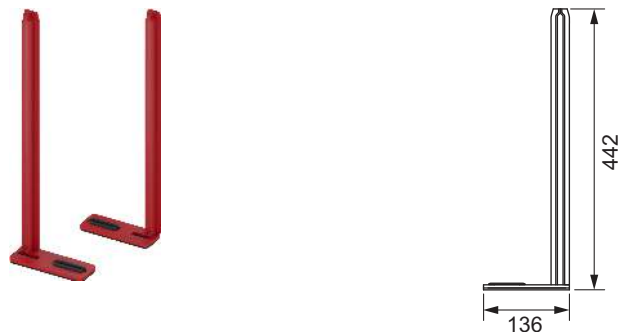
| Item No. | DU 1 |
|----------|-------|
| 9042003 | 1 pc. |

TECEprofil – Supporting frame accessories

TECEprofil register foot

Register foot for the TECEprofil supporting frame, allows attachment of pre-assembled TECEprofil walls below the ceiling or on the floor.

| Version | Item No. | DU 1 |
|---------|----------|-------|
| right | 9820461 | 1 pc. |
| left | 9820462 | 1 pc. |



TECEprofil connector with ball joint

Universal attachment to mount components in the TECEprofil supporting frame. With the ball joint it is possible to set any angle and position.

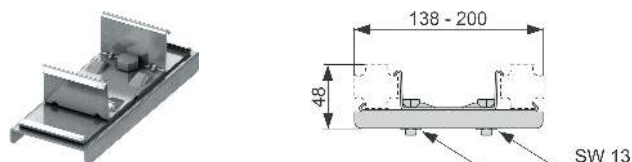
| Item No. | DU 1 | DU 2 |
|----------|-------|---------|
| 9018011 | 2 pc. | 200 pc. |



TECEprofil universal connector

To join TECEprofil section tubes at any angle. Pre-assembled galvanised steel unit.

| Item No. | DU 1 | DU 2 |
|----------|-------|----------|
| 9018002 | 6 pc. | 1176 pc. |



TECE mounting set for UA profile walls

Fixing material to attach TECEprofil modules to lateral UA profiles, suitable for UA profiles 50 to DIN 18182 Part 1.

Consisting of:

- Four bolts with nuts
- Eight washers

| Item No. | DU 1 | DU 2 |
|----------|-------|-------|
| 9380006 | 1 set | 5 set |



TECE mounting set for wooden stud walls

Fixing material to attach TECE modules to lateral stud structures.

Consisting of:

- Four hexagonal head wood screws
- Four washers

| Item No. | DU 1 | DU 2 |
|----------|-------|-------|
| 9380005 | 1 set | 5 set |

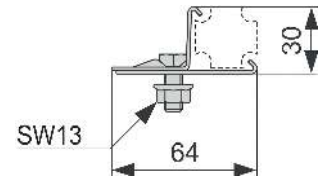


TECEprofil multi-clips

To fix non-system materials to TECEprofil section tubes.

Consisting of:

- M 8 nut and bolt
- Galvanised steel plates



| Item No. | DU 1 |
|----------|--------|
| 9010003 | 10 pc. |

TECEprofil fixing bracket

To hold a threaded rod. Pre-assembled galvanised steel unit, without threaded rod.



| Version | Item No. | DU 1 | DU 2 |
|---------|----------|--------|----------|
| M 8 | 9040004 | 10 pc. | 3200 pc. |
| M 10 | 9040001 | 10 pc. | 4000 pc. |

TECEprofil end cap with rubber overlay for section tube

| Item No. | DU 1 |
|----------|-------|
| 9820128 | 1 pc. |



TECE attaching screw 4.2 x 13 mm

Self-tapping Phillips screw to fix non-system materials to TECEprofil section tubes and crossbeams.

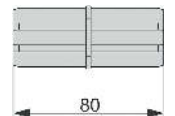


PH2

| Item No. | DU 1 | DU 2 |
|----------|---------|---------|
| 9018007 | 100 pc. | 500 pc. |

TECEprofil section tube connector

To create a stable axial connection between two TECEprofil section tubes.



| Item No. | DU 1 | DU 2 |
|----------|-------|----------|
| 9010009 | 5 pc. | 2700 pc. |

TECEprofil – Supporting frame accessories

TECEprofil double holder for narrow partition walls

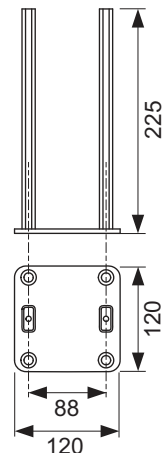
Insert holder for TECEprofil section tubes, for the installation of single-shell TECEprofil partition walls. Attachment is carried out on solid unfinished floors and on solid walls.

Consisting of:

- Double holder made of coated steel
- Mounting material

Note:

A TECEprofil insert holder (Item No. 9030031) is always required in addition for the construction of a narrow partition wall.



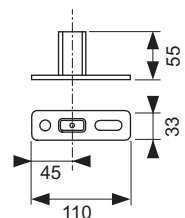
| Item No. | DU 1 |
|----------|-------|
| 9030030 | 2 pc. |

TECEprofil insert holder

Short insert holder for the TECEprofil section tube, for fastening to solid walls and floors.

Consisting of:

- Insert holder made of coated steel
- Mounting material



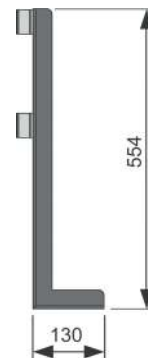
| Item No. | DU 1 |
|----------|-------|
| 9030031 | 5 pc. |

TECEprofil supporting foot for free-standing walls

To brace stand-alone TECEprofil supporting frames.

Consisting of:

- Galvanised steel supporting foot
- Mounting material for fitting to shell floor
- Mounting material for attaching to TECEprofil supporting structure



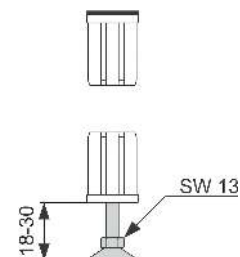
| Item No. | DU 1 |
|----------|-------|
| 9030017 | 1 pc. |

TECEprofil plug-in foot

Levelling foot and end cap for insertion into a TECEprofil section tube. The levelling foot is suitable for load bearing, e.g. supporting steel bathtubs. No additional steel bathtub foot is required.

Consisting of:

- Levelling foot to adjust height of TECEprofil section tubes
- End cap with rubber overlay

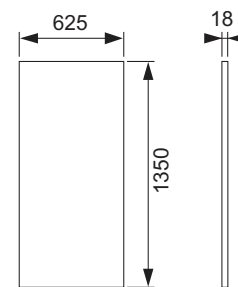


| Item No. | DU 1 | DU 2 |
|----------|-------|--------|
| 9140000 | 4 pc. | 20 pc. |

TECEprofil panel plate

Moisture proof plate for panel facing TECEprofil supporting frame of TECEprofil modules. Made of impregnated plasterboard, to DIN 4102-A2, non-flammable.

| Item No. | DU 1 | DU 2 |
|----------|--------|--------|
| 9200000 | 30 pc. | 60 pc. |



TECEprofil knifing filler, impregnated

To fill gaps in the TECEprofil panel facing. Supplied in 5 kg bags. Filling to quality level Q1; higher quality levels must be taken into consideration in invitations to tender.

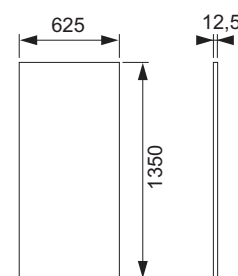
| Item No. | DU 1 | DU 2 |
|----------|------|-------|
| 9200001 | 5 kg | 20 kg |



TECEprofil panel plate, for highly wet areas

Special facing plate for TECEprofil supporting frame in highly wet areas. 12.5 mm thick cement-bound lightweight concrete panel, in accordance with EN 13501-1, non-flammable.

| Item No. | DU 1 | DU 2 | DU 3 |
|----------|-------|--------|--------|
| 9200013 | 1 pc. | 30 pc. | 60 pc. |



TECEprofil glue cartridge

For adhesion and grouting of butt-joined TECEprofil panel plate (9200013) for highly-wet areas.

| Item No. | DU 1 | DU 2 |
|----------|-------|--------|
| 9200014 | 1 pc. | 10 pc. |



TECEprofil panel screw, self-tapping

To attach TECEprofil panels to TECEprofil section tubes; made of steel, 3.5 mm x 35 mm (drill bit PH2).

| Item No. | DU 1 | DU 2 |
|----------|---------|----------|
| 9200002 | 250 pc. | 4500 pc. |



PH2

TECEprofil – Panel facing

TECEprofil fire protection plate set

Fire protection plates for TECEprofil toilet modules with TECE cisterns.
Set consisting of two non-flammable rockwool heat insulation boards A1.
Dimensions (W x H x D): 1000 x 625 x 30 mm and 711 x 440 x 20 mm.

In the event of fire protection requirements for partition walls with toilet modules, the fire protection plates must be used. Fire protection walls made of TECEprofil from F 30 to F 120 must be installed in accordance with "abP P-3226/492/11-MPA BS".



| Item No. | DU 1 | DU 2 |
|----------|-------|--------|
| 9200017 | 1 pc. | 10 pc. |

TECE repair set for cistern made of PP

To eliminate damage (e.g. from drilling) up to a diameter of approx. 12 mm.

Consisting of:

- Five plastic disks
- Sandpaper
- Hot glue gun
- Two glue sticks
- Cleaner (125 ml)
- Two cloths



| Item No. | DU 1 |
|----------|-------|
| 9221013 | 1 pc. |

TECE corner valve key

For assembly/disconnection of corner valve in TECE cistern, with holder for 1/2" or 1/4" ratchet.



| Item No. | DU 1 |
|----------|-------|
| 9820264 | 1 pc. |

TECEprofil holding magnet

Installation tool for creating a TECEprofil framework. Allows the temporary holding of two section tubes without corner joints.

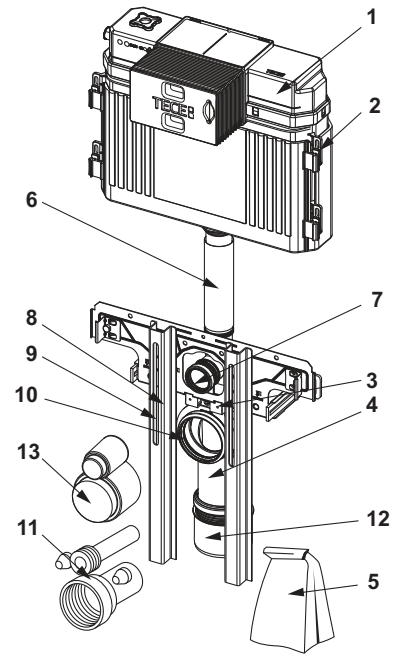


| Item No. | DU 1 | DU 2 | DU 3 |
|----------|-------|--------|----------|
| 9018012 | 1 pc. | 15 pc. | 1200 pc. |

TECEprofil – Spare parts

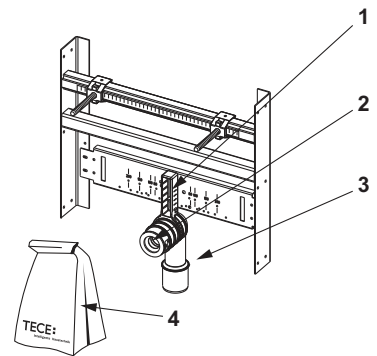
9041306 – TECEprofil toilet connection unit with Uni cistern

| Pos. | Item No. | Designation | DU 1 |
|------|----------|--|-------|
| 1 | 9820103 | Uni cistern 1120 mm | 1 pc. |
| 2 | 9820065 | Assembly kit for cistern | 1 pc. |
| 3 | 9820034 | Drain bend holder DN 50 | 1 pc. |
| 4 | 9820135 | Toilet drain bend DN 90 (PP) | 1 pc. |
| 5 | 9820066 | By-pack for toilet module (mounting material, etc.) | 1 pc. |
| 6 | 9820011 | Flush pipe with O-ring, length 269 mm, dry-wall construction | 1 pc. |
| 7 | 9820015 | Flush pipe seal | 1 pc. |
| 8 | 9820335 | C-section for module foot | 1 pc. |
| 9 | 9820037 | Spacer for the installation of the toilet module feet | 1 pc. |
| 10 | 9820139 | Seal for drain bend DN 90 | 1 pc. |
| 11 | 9820057 | Toilet connection set, DN 90 | 1 pc. |
| 12 | 9820136 | Toilet connector, DN 90/100, PP | 1 pc. |
| 13 | 9820312 | Bare wall toilet plug for flush pipe and drain bend | 1 pc. |



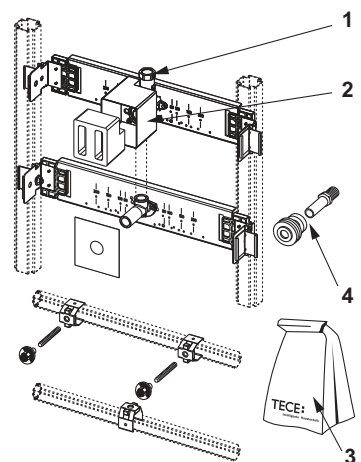
9510003 – TECE washstand support for the installation in metal or wooden stud walls

| Pos. | Item No. | Designation | DU 1 |
|------|----------|---|-------|
| 1 | 9820034 | Drain bend holder DN 50 | 1 pc. |
| 2 | 9820059 | Rubber collar nominal diameter 30/50 | 1 pc. |
| 3 | 9820035 | Drain bend DN 50/DN 40 | 1 pc. |
| 4 | 9820133 | By-pack for washstand support (mounting material, etc.) | 1 pc. |



9020038 – TECEprofil connection unit for urinal with TECE flush valve housing U 1

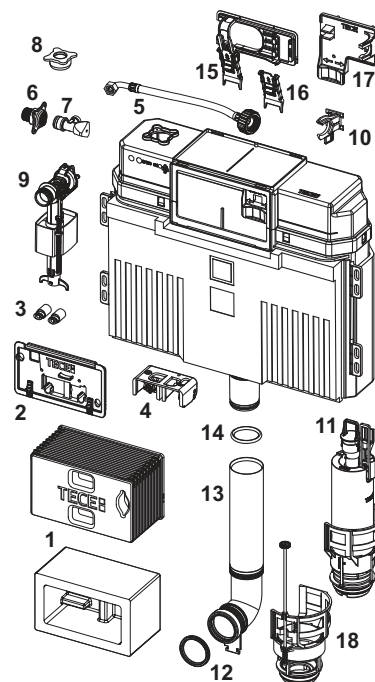
| Pos. | Item No. | Designation | DU 1 |
|------|----------|---|-------|
| 1 | 9820074 | Urinal flush valve housing U 1 with plug | 1 pc. |
| 2 | 9820075 | Bare-wall protection, supporting body, screws flush valve housing U 1 | 1 pc. |
| 3 | 9820076 | By-pack for urinal module (mounting material, etc.) | 1 pc. |
| 4 | 9820055 | Inlet fittings for urinal, 1/2" | 1 pc. |



9820103 – TECE Uni cistern 1120 mm

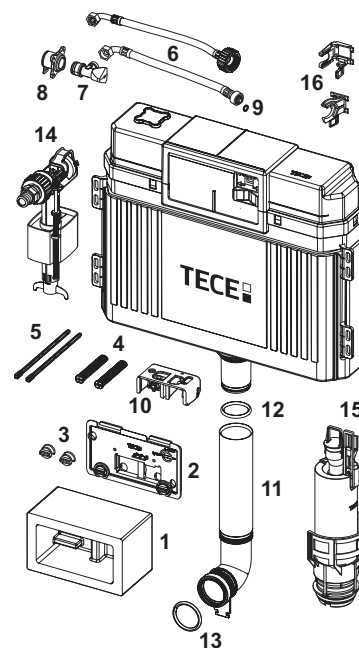
Valid from: April 2021

| Pos. | Item No. | Designation | DU | 1 |
|------|----------|---|------------|-------|
| 1 | 9820499 | Installation tunnel incl. polystyrene block | 1 pc. | |
| | 9820027 | Bare-wall protection system | 1 pc. | |
| 2 | 9820017 | Splash guard, complete | 1 pc. | |
| 3 | 9820496 | "easy fit" attachment (from 2021) | 1 pc. | |
| 4 | 9820016 | Actuation block | 1 pc. | |
| 5 | 9820374 | Reinforced hose M 30 (from 2020) | 1 pc. | |
| 6 | 9820012 | Cistern connection | 1 pc. | |
| 7 | 9820013 | Corner valve | 1 pc. | |
| 8 | 9820495 | Closure plug Uni cistern | 1 pc. | |
| 9 | 9820353 | Filling valve F 10 universal | 1 pc. | |
| 10 | 9820373 | Filling valve holder for Uni cistern (27 mm, M 30, from 2020) | 1 pc. | |
| 11 | 9820223 | Drain valve A 2 | 1 pc. | |
| 12 | 9820015 | Flush pipe seal | 1 pc. | |
| 13 | 9820011 | Flush pipe with O-ring, length 269 mm, dry-wall construction | 1 pc. | |
| | 9820331 | Extra long flush pipe, length 369 mm | 1 pc. | |
| 14 | 9820014 | O-ring | 1 pc. | |
| 15 | 9820698* | Hold-down device version slider | NEW | 1 pc. |
| 16 | 9820699* | Slider for hold-down device | NEW | 1 pc. |
| 17 | 9820700* | Hold-down device version replacement 2003-2014 | NEW | 1 pc. |
| 18 | 9820670 | Valve seat with adjustable flush flow throttle | | 1 pc. |



Valid till: March 2021

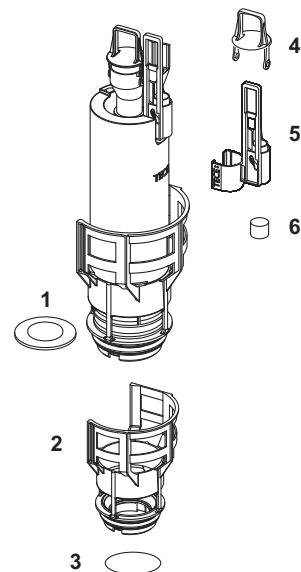
| Pos. | Item No. | Designation | DU | 1 |
|------|----------|--|-------|---|
| 1 | 9820027 | Bare-wall protection system | 1 pc. | |
| 2 | 9820017 | Splash guard, complete | 1 pc. | |
| 3 | 9820018 | Clamping screws | 1 pc. | |
| 4 | 9820019 | Attaching rods (2003-2020) | 1 pc. | |
| 5 | 9820022 | Actuation rods (2003-2020) | 1 pc. | |
| 6 | 9820026 | Reinforced hose 3/8" (until 2019) | 1 pc. | |
| | 9820374 | Reinforced hose M 30 (from 2020) | 1 pc. | |
| 7 | 9820013 | Corner valve | 1 pc. | |
| 8 | 9820012 | Cistern connection | 1 pc. | |
| 9 | 9820025 | O-ring | 1 pc. | |
| 10 | 9820016 | Actuation block | 1 pc. | |
| 11 | 9820011 | Flush pipe with O-ring, length 269 mm, dry-wall construction | 1 pc. | |
| | 9820331 | Extra long flush pipe, length 369 mm | 1 pc. | |
| 12 | 9820014 | O-ring | 1 pc. | |
| 13 | 9820015 | Flush pipe seal | 1 pc. | |
| 14 | 9820353 | Filling valve F 10 universal | 1 pc. | |
| 15 | 9820223 | Drain valve A 2 | 1 pc. | |
| 16 | 9820372 | Filling valve holder for Uni cistern (17 mm, 3/8", up to 2019) | 1 pc. | |
| | 9820373 | Filling valve holder for Uni cistern (27 mm, M 30, from 2020) | 1 pc. | |



TECEprofil – Spare parts

9820223 – TECE drain valve A 2

| Pos. | Item No. | Designation | DU 1 |
|------|----------|---|-------|
| 1 | 9820233 | Gasket (drain valve) | 1 pc. |
| 2 | 9820231 | Valve seat with standard throttle (ø 36 mm) | 1 pc. |
| 3 | 9820005 | O-ring (valve seat) | 1 pc. |
| 4 | 9820222 | Draw eyelet | 1 pc. |
| 5 | 9820229 | Pull rod for electrical actuation | 1 pc. |
| 6 | 9820420 | Additional weight small pull rod | 1 pc. |



TECE flush valve cartridge U 1

Flush valve cartridge for flush valve housing U 1.

| Item No. | DU 1 |
|----------|-------|
| 9820031 | 1 pc. |



TECE mounting set

| Item No. | DU 1 |
|----------|-------|
| 9820054 | 1 pc. |



TECE seal sleeve for wall disk

| Item No. | DU 1 |
|----------|-------|
| 9820125 | 1 pc. |



TECE seal for flush pipe connection

| Item No. | DU 1 |
|----------|-------|
| 9820213 | 1 pc. |



TECE toilet mounting set

| Item No. | DU 1 |
|----------|-------|
| 9820245 | 1 pc. |



TECE filling valve F 10 universal

Universal filling valve for installation in all TECE cisterns as well as almost all standard flush-mounted and wall-mounted cisterns from other manufacturers.

Product details:

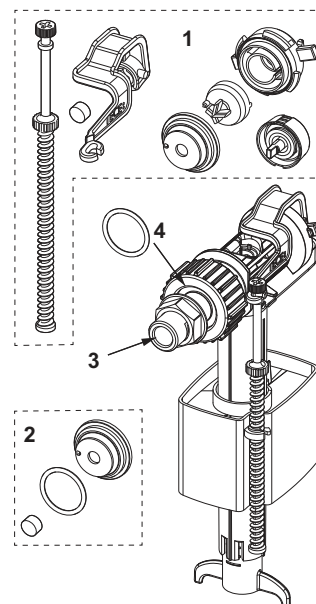
- 3/8" metal connection thread
- Flow pressure 0.5-10 bar
- Minimum flow pressure 0.5 bar
- Adjustable fill height
- Adjustable outflow pipe
- Low-noise in accordance with group I (DIN 4109)
- Compact design
- Incl. adapter and attachment nut
- Tested according to EN 14124



| Item No. | DU 1 | DU 2 | DU 3 |
|----------|-------|--------|---------|
| 9820353 | 1 pc. | 10 pc. | 240 pc. |

9820353 – TECE filling valve F 10 universal

| Pos. | Item No. | Designation | DU 1 |
|------|----------|---|-------|
| 1 | 9820382 | Filling valve F 10 valve lever set | 1 pc. |
| 2 | 9820383 | Filling valve F 10 sealing kit | 1 pc. |
| 3 | 9820398 | Filling valve F 10 threaded connection 3/8" | 1 pc. |
| 4 | 9820587 | Filling valve F 10 water connection O-ring M 30 | 1 pc. |





Plumbing Framework

TECEsystem PREFAB SOLUTIONS

TECEsystem



MORE IS POSSIBLE

Industrial prefabrication is the key to higher productivity in construction. TECE can look back on over 30 years of experience with prefabricated installation walls and shafts. But system construction by the TECE brand is much more than a ready-to-install assembly group. In addition to the product, it also includes a quality process, comprehensive service and reliable warranties.

» We're getting 30 registers delivered on Monday morning. Everything will be installed by noon on Friday. Such reliability in planning makes my life stress-free.



1



2



3



1 Customised planning

TECE application engineers work together with project managers to determine the technical and legal requirements. The customised sanitary wall concept is tested on a prototype. Next, the final specifications are incorporated into the production drawings.

2 Customised manufacturing

Industrial, standardised prefabrication guarantees a high quality level. All components are tailored to each other and assembled in compliance with standards. This also simplifies procedures at the interfaces between the trades and shortens assembly times.

3 Individual delivery

The finished installation walls are delivered according to a specified schedule in consultation with the site management. Containers or swap bodies are also supplied according to requirements.

Product Highlights

- Customised planning
- Customised manufacturing
- Just-in-time delivery to the construction site
- Optimised procedures at the interfaces
- Reduced construction times
- Cost savings due to quick installation
- Assembly conforming to standards
- Large projects can be realised economically
- High quality standard
- All-round service throughout the project



All-round service at every stage of the project

TECE offers an all-round service from start to finish in the building process to ensure a trouble-free building process. During the preliminary planning stage, the requirements are determined and plans and elevations are drawn up in coordination with architects and planners. If required, fitters are briefed on site at the construction site to ensure that everything runs smoothly and that the installation is performed quickly. The After-Sales Service continues to support the construction project after its completion. If required, the After-Sales Service can find the right spare part or help to repair a malfunction.



Cost-efficiency

The fast, easy installation of the systems reduces the assembly costs on site and minimises the risk of building delay. Storage costs do not arise thanks to just-in-time delivery. During modernizations, the fast construction process helps reduce rent abatements.

Drainage Systems

TECEdrainprofile SHOWER CHANNELS

TECEdrainprofile

TECEdrainprofile





| | Page |
|---------------------|------|
| Shower channel sets | 254 |
| Shower channels | 255 |
| Drains | 258 |
| Accessories | 261 |
| Spare parts | 263 |

TECEdrainprofile – Shower channel sets

TECEdrainprofile shower profile set

Shower profile set consisting of a brushed shower profile, a “flat” drain, three assembly feet and a standard sealing collar.

| Length | Width | Surface | Item No. | DU 1 |
|---------|-------|---------|----------|-------|
| 1000 mm | 55 mm | Brushed | 641024 | 1 set |



TECEdrainprofile shower profile set with black surface

Shower profile set consisting of a shower profile with black PVD surface, a “flat” drain, three assembly feet and a standard sealing collar.

| Length | Width | Surface | Colour | Item No. | DU 1 |
|---------|-------|---------|--------|----------|-------|
| 1000 mm | 55 mm | Brushed | Black | 641025 | 1 set |



TECEdrainprofile shower profile

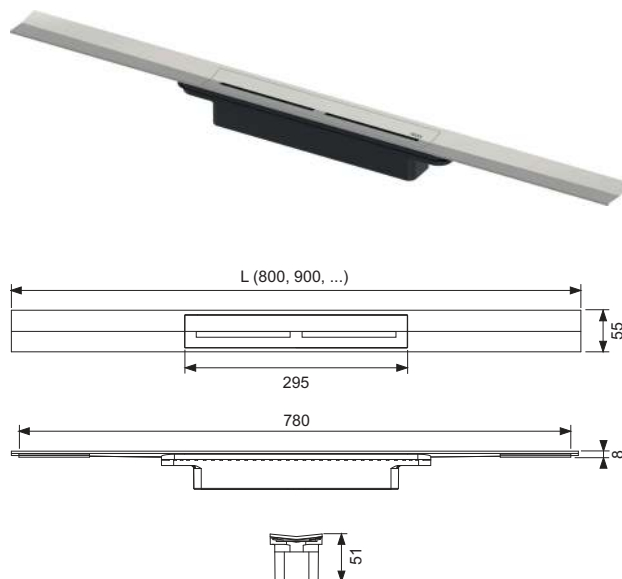
Shower profile for shower drainage, for installation in tile adhesive above the screed and seal.

Consisting of:

- Shower profile that can be cut to length, with internal gradient for improved water drainage and self-cleaning effect, material
- Shower profile can be shortened to ≥ 500 mm
- Profile cover with "push function" for removal by hand, loadable according to load class K3 - test load 300 kg
- Shower profile and profile cover made of stainless steel material 1.4301 (304)
- Connection pieces for connection to a TECEdrainprofile drain
- Grip elements for easy installation and solid connection with the tile adhesive
- For floor coverings from 8-25 mm (incl. adhesive bed)
- For flush to the wall installation for wall coverings from 10 mm (incl. adhesive bed)
- For installation at the wall (flush to the wall) or at any specific distance from the wall

Please order separately:

- TECEdrainprofile drain



| Length | Width | Surface | Item No. | DU 1 |
|---------|-------|----------|----------|-------|
| 800 mm | 55 mm | Brushed | 670800 | 1 pc. |
| 800 mm | 55 mm | Polished | 670810 | 1 pc. |
| 900 mm | 55 mm | Brushed | 670900 | 1 pc. |
| 900 mm | 55 mm | Polished | 670910 | 1 pc. |
| 1000 mm | 55 mm | Brushed | 671000 | 1 pc. |
| 1000 mm | 55 mm | Polished | 671010 | 1 pc. |
| 1200 mm | 55 mm | Brushed | 671200 | 1 pc. |
| 1200 mm | 55 mm | Polished | 671210 | 1 pc. |
| 1600 mm | 55 mm | Brushed | 671600 | 1 pc. |

TECEdrainprofile – Shower channels

TECEdrainprofile shower profile with black surface

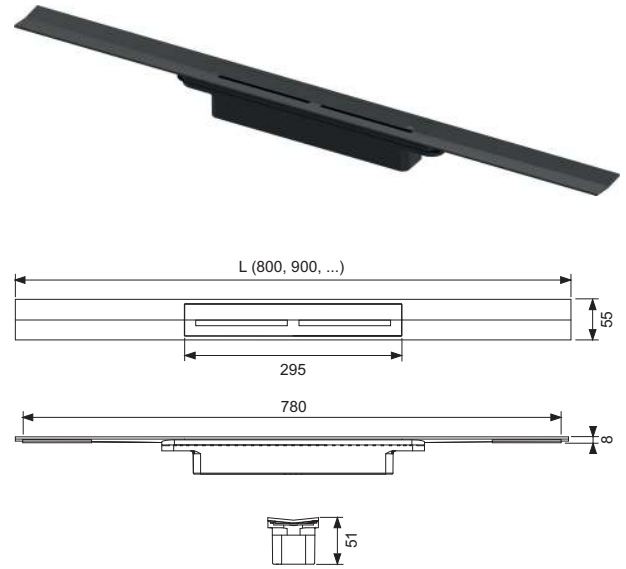
Shower profile for shower drainage, for installation in tile adhesive above the screed and seal.

Consisting of:

- Shower profile that can be cut to length with internal gradient for improved water drainage and self-cleaning effect
- Shower profile can be shortened to ≥ 500 mm
- Profile cover with "Push Function" for removal by hand, durable to load class K3 - maximum test load 300 kg
- Shower profile and profile cover made of stainless steel, material 1.4301 (304) with coloured PVD coating
- Connection piece for connection with a TECEdrainprofile drain
- Grip elements for simple installation and solid connection with the tile adhesive
- For floors coverings from 8-25 mm (incl. adhesive bed)
- For flush to the wall installation for wall coverings from 10 mm (incl. adhesive bed)
- For installation at the wall (flush to the wall) or at any specific distance from the wall

Please order separately:

- TECEdrainprofile drain



| Length | Width | Surface | Colour | Item No. | DU 1 |
|---------|-------|---------|--------|----------|-------|
| 800 mm | 55 mm | Brushed | Black | 670821 | 1 pc. |
| 900 mm | 55 mm | Brushed | Black | 670921 | 1 pc. |
| 1000 mm | 55 mm | Brushed | Black | 671021 | 1 pc. |
| 1200 mm | 55 mm | Brushed | Black | 671221 | 1 pc. |
| 1600 mm | 55 mm | Brushed | Black | 671621 | 1 pc. |

TECEdrainprofile shower profile with coloured surface

Shower profile for shower drainage, for installation in tile adhesive above the screed and seal.

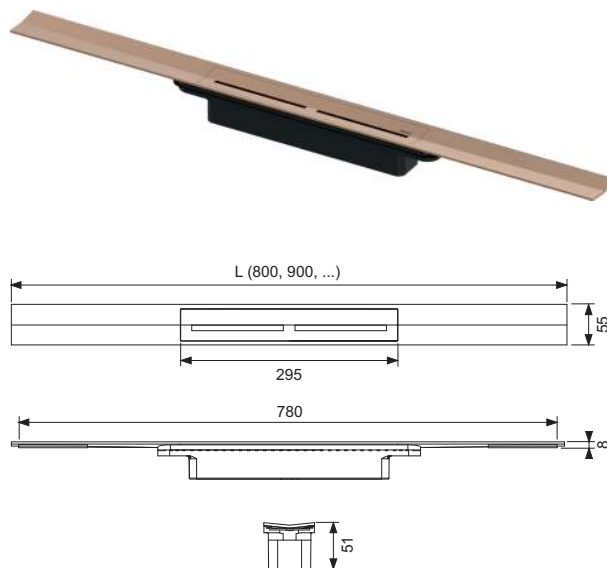
The finishes are colour matched to the TECESquare II metal toilet flush plates.

Consisting of:

- Shower profile that can be cut to length with internal incline for improved water drainage and self-cleaning effect
- Shower profile can be shortened to ≥ 500 mm
- Profile cover with "Push Function" for removal by hand, durable to load class K3 - maximum test load 300 kg
- Shower profile and profile cover, made of stainless steel material 1.4301 (304) with coloured PVD coating
- Connection pieces for connection with a TECEdrainprofile drain
- Grip elements for easy installation and solid connection with the tile adhesive
- For floors from 8-25 mm (incl. adhesive bed)
- For flush to the wall installation for wall coverings from 10 mm (incl. adhesive bed)
- For installation at the wall (flush to the wall) or at any specific distance from the wall

Please order separately:

- TECEdrainprofile drain



| Length | Width | Colour | Item No. | DU 1 |
|---------|-------|----------------------|----------|-------|
| 800 mm | 55 mm | Brushed black chrome | 670801 | 1 pc. |
| 800 mm | 55 mm | Brushed gold optic | 670802 | 1 pc. |
| 800 mm | 55 mm | Polished gold optic | 670812 | 1 pc. |
| 800 mm | 55 mm | Brushed red gold | 670803 | 1 pc. |
| 900 mm | 55 mm | Brushed black chrome | 670901 | 1 pc. |
| 900 mm | 55 mm | Brushed gold optic | 670902 | 1 pc. |
| 900 mm | 55 mm | Polished gold optic | 670912 | 1 pc. |
| 900 mm | 55 mm | Brushed red gold | 670903 | 1 pc. |
| 1000 mm | 55 mm | Brushed black chrome | 671001 | 1 pc. |
| 1000 mm | 55 mm | Brushed gold optic | 671002 | 1 pc. |
| 1000 mm | 55 mm | Polished gold optic | 671012 | 1 pc. |
| 1000 mm | 55 mm | Brushed red gold | 671003 | 1 pc. |
| 1200 mm | 55 mm | Brushed black chrome | 671201 | 1 pc. |
| 1200 mm | 55 mm | Brushed gold optic | 671202 | 1 pc. |
| 1200 mm | 55 mm | Polished gold optic | 671212 | 1 pc. |
| 1200 mm | 55 mm | Brushed red gold | 671203 | 1 pc. |

TECEdrainprofile – Drains

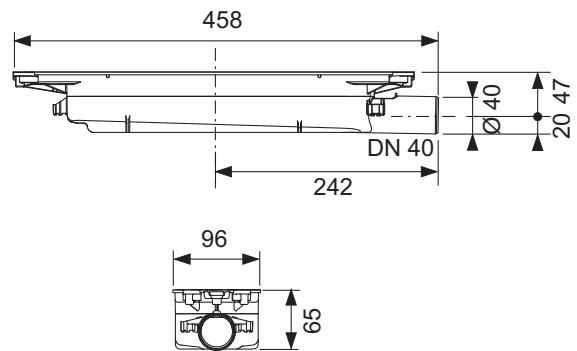
TECEdrainprofile drain "flat", DN 40 side drain*

Drain for TECEdrainprofile shower channel, for installing in screed, for connection to the side of a DN 40 drain pipe. Includes factory fitted click-in Seal System sealing collar. Fulfils the requirements of EN 1253-6 and DIN 18534.

- Min. installation height 65 mm (bottom edge of drain to upper edge of screed)
- Drainage capacity $\geq 0.40/\geq 0.52$ l/s (to EN 1253 with 10/20 mm build-up above the channel cover)
- Sealing water height 25 mm
- Removable odour trap
- Integrated screed anchorage
- Factory fitted, clickable and flexible sealing collar with Seal System
- Matching prefabricated sound insulation strip
- Protective construction cover
- Sliding/movable seal for connection to TECEdrainprofile shower channel and to compensate for structural tolerances

Please order separately:

- Wall and floor mounting brackets or assembly feet (optional)
- Drainbase sound insulation mat (optional)



| | |
|----------|-------|
| Item No. | DU 1 |
| 673001 | 1 pc. |



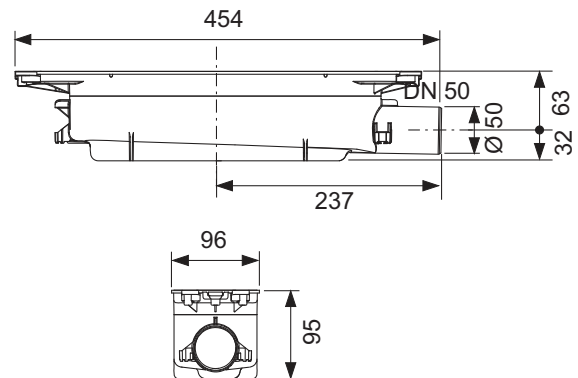
TECEdrainprofile drain "standard", DN 50 side drain*

Drain for TECEdrainprofile shower channel, for installing in screed, for connection to the side of a DN 50 drain pipe. Includes factory fitted click-in Seal System sealing collar. Fulfils the requirements of EN 1253-1 and DIN 18534.

- Min. installation height 95 mm (bottom edge of drain to upper edge of screed)
- Drainage capacity $\geq 0.72/\geq 0.82$ l/s (to EN 1253 with 10/20 mm build-up above the channel cover)
- Sealing water height 50 mm
- Removable odour trap
- Integrated screed anchorage
- Factory fitted, clickable and flexible sealing collar with Seal System
- Matching prefabricated sound insulation strip
- Protective construction cover
- Sliding/movable seal for connection to TECEdrainprofile shower channel and to compensate for structural tolerances

Please order separately:

- Wall and floor mounting brackets or assembly feet (optional)
- Drainbase sound insulation mat (optional)



| | |
|----------|-------|
| Item No. | DU 1 |
| 673002 | 1 pc. |



TECEdrainprofile – Drains

TECEdrainprofile drain “vertical”, DN 50 drain*

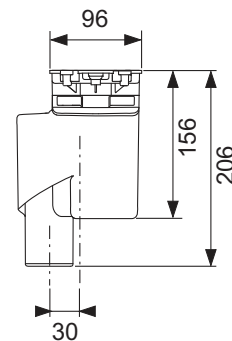
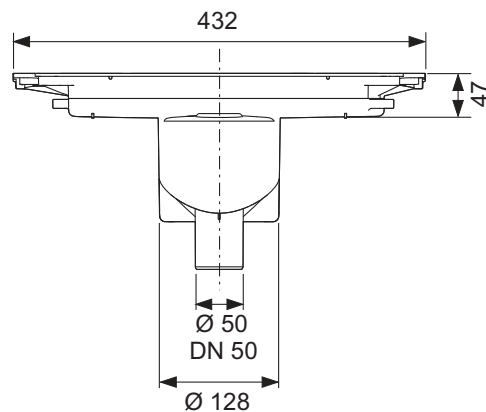
Drain for TECEdrainprofile shower channel, for installing in screed, for vertical connection to a DN 50 drain pipe. Includes factory fitted click-in Seal System sealing collar. Fulfils the requirements of EN 1253-1 and DIN 18534.

- Min. installation height 47 mm (bottom edge of drain to upper edge of screed)
- Drainage capacity $\geq 1.31/\geq 1.37$ l/s (to EN 1253 with 10/20 mm build-up above the channel cover)
- Sealing water height 50 mm
- Removable odour trap
- Integrated screed anchorage
- Factory fitted, clickable and flexible sealing collar with Seal System
- Matching prefabricated sound insulation strip
- Protective construction cover
- Sliding/movable seal for connection to TECEdrainprofile shower channel and to compensate for structural tolerances

Please order separately:

- Wall and floor mounting brackets or assembly feet (optional)
- Drainbase sound insulation mat (optional)
- Fire protection set FireStop EI 120 DN 50 (optional)

| | |
|----------|-------|
| Item No. | DU 1 |
| 673003 | 1 pc. |



TECEdrainprofile assembly feet

Assembly feet for TECEdrainprofile drains for easy height adjustment and position fixing during shell installation. Adjustment range on “standard” drain 95-194 mm, on “flat” drain 65-164 mm and for “vertical” drain 58-157 mm (lower edge of feet to the upper edge of drain or screed).

Consisting of:

- 3 assembly feet incl. sound insulation cap and attachment material



| Item No. | DU 1 | DU 2 |
|----------|-------|--------|
| 674000 | 1 set | 50 set |

TECEdrainprofile wall and floor-mounting bracket

Assembly bracket for all TECEdrainprofile drains for wall- or floor assembly. For easy height adjustment and position fixing during shell installation.

- The mounting bracket can be disassembled and reused when used for wall mounting.
- Adjustable wall distances of 0 to 97/145 mm (top edge of wall to drain front/centre of drain)
- Height adjustment for floor-mounting 95-185 mm (lower edge of feet to the upper edge of drain or screed)



| Item No. | DU 1 | DU 2 |
|----------|-------|--------|
| 674001 | 1 pc. | 18 pc. |

TECEdrainprofile hair trap

Hair trap made of stainless steel for inserting into the TECEdrainprofile shower profile. With "push function" for easy removal by hand. One set (consisting of two hair traps) is required for one shower profile.



| Item No. | DU 1 |
|----------|-------|
| 674002 | 1 set |

TECEdrainprofile mechanical odour trap

Mechanical odour trap for TECEdrainprofile drains as odour and vermin barrier. Suitable for all TECEdrainprofile drains and can be retrofitted. A set (consisting of two mechanical odour traps) is required for a shower profile.

Drainage capacity according to EN 1253 at 10/20 mm accumulation above profile cover:

- Drain “flat” DN 40: $\geq 0.45/\geq 0.57$ l/s
- Drain “standard” DN 50: $\geq 0.7/\geq 0.8$ l/s
- Drain “vertical” DN 50: $\geq 0.7/\geq 1.3$ l/s



| Item No. | DU 1 | DU 2 |
|----------|-------|--------|
| 674006 | 1 set | 40 set |

TECEdrainprofile – Accessories

TECEdrainline/TECEdrainprofile fire protection set FireStop EI 120 DN 50

Fire protection set for direct vertical installation on the TECEdrainline/TECEdrainprofile DN 50 drain, for highly fire resistant partitioning of ceiling bushings in solid ceilings up to 120 min., classification in accordance with EN 13501 for fire protection class EI 120-U/C and E 120-U/C, European technical approval (ETA-11/0437), a general type approval has been applied for.

Set consisting of:

- Fire protection sleeve, 2 cross-recessed screws, identification plate, 150 mm DN 50 PP-HT pipe according to EN 1451
- Required core drill hole: \varnothing 130 mm (\varnothing min = 129 mm, \varnothing max = 133 mm)
- Application area: Solid ceilings from 150-325 mm ceiling thickness
- Grouting or filling of the gap is not necessary



| Item No. | DU 1 | DU 2 |
|----------|-------|--------|
| 660006 | 1 pc. | 50 pc. |

TECE sound insulation mat Drainbase for TECEdrainprofile, TECEdrainline and TECEdrainpoint S

Sound insulation mat for assembly under floating screed in the area of floor-level showers or throughout the bathroom. To reduce plumbing noise and provide impact noise insulation for renovations and new buildings.

Made from recycled high-tensile rubber granules bound with PUR elastomer. Meets enhanced sound insulation requirements for installation noise level according to DIN 4109-5, issued 2020-08 and the highest sound insulation level SSt III according to VDI 4100, issued 2012-10 (sound test verification available on request).

- Form of delivery: 1.25 m x 1.25 m x 6 mm
- Fire class: B2 (DIN 4102)
- Thermal resistance: 0.05 (m²K)/W
- Compression at 15 t/m²: 0.6 mm
- Impact noise reduction: $\Delta L_w = 20$ dB(A) (for 50 mm screed)



| Item No. | DU 1 | DU 2 |
|----------|-------|--------|
| 660001 | 1 pc. | 16 pc. |

TECE sound insulation mat Drainbase for TECEdrainprofile, TECEdrainline and TECEdrainpoint S, roll

Sound insulation mat for assembly under floating screed in the area of floor-level showers or throughout the bathroom. To reduce plumbing noise and provide impact noise insulation for renovations and new buildings.

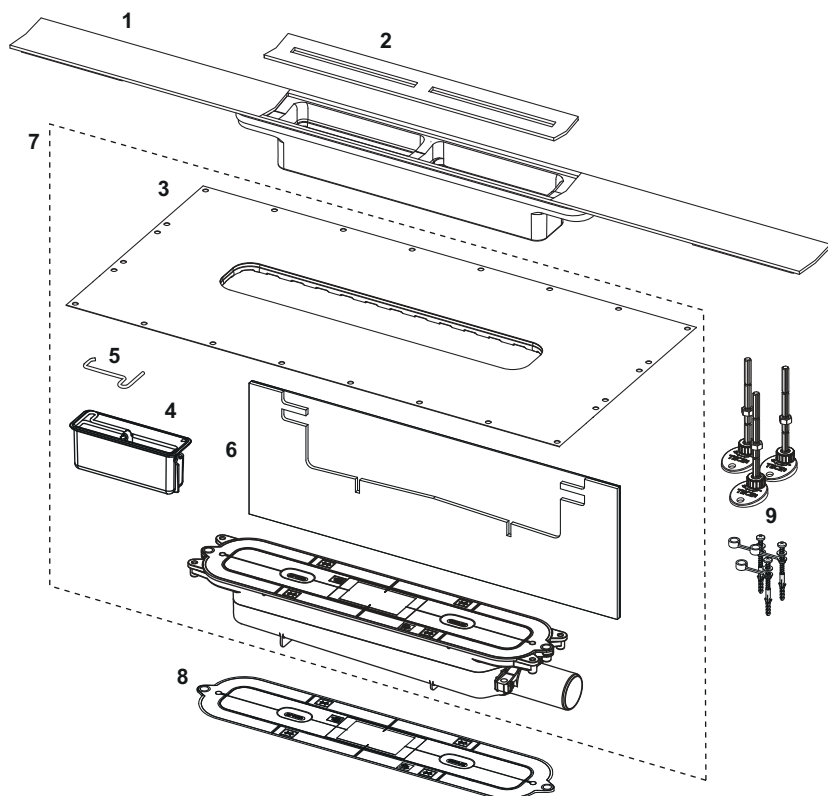
Made from recycled high-tensile rubber granules bound with PUR elastomer. Meets enhanced sound insulation requirements for installation noise level according to DIN 4109-5, issued 2020-08 and the highest sound insulation level SSt III according to VDI 4100, issued 2012-10 (sound test verification available on request).

- Form of delivery: 8.0 m x 1.25 m x 6 mm (roll, approx. 50 kg)
- Fire class: B2 (DIN 4102)
- Thermal resistance: 0.05 (m²K)/W
- Compression at 15 t/m²: 0.6 mm
- Impact noise reduction: $\Delta L_w = 20$ dB(A) (for 50 mm screed)



| Item No. | DU 1 |
|----------|------|
| 660002 | 8 m |

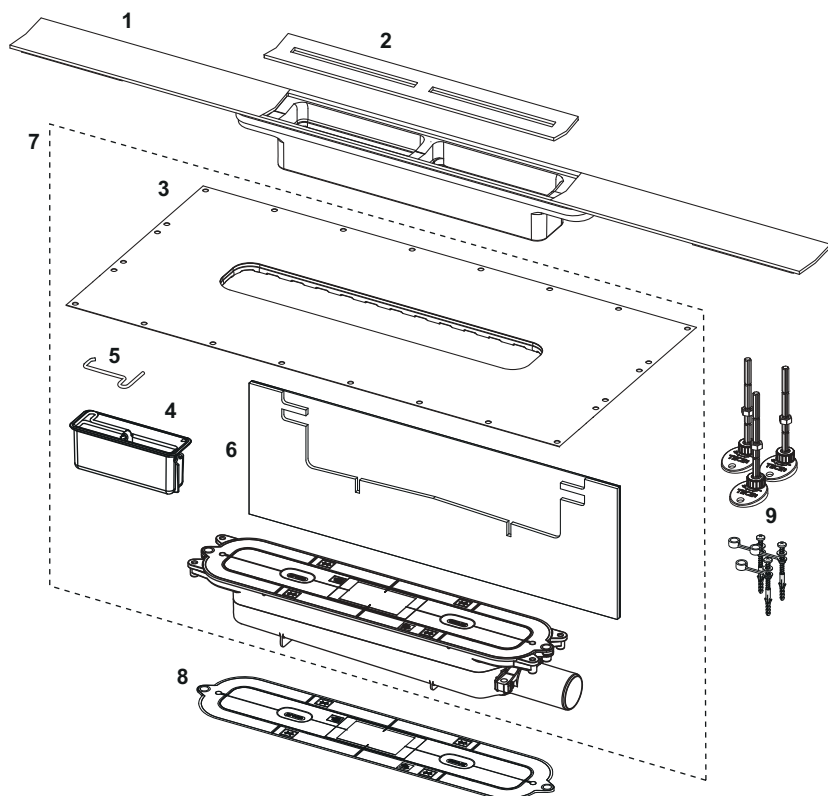
TECEdrainprofile shower profile set



| Pos. | Item No. | Designation | DU 1 |
|------|----------|---|-------|
| 1 | 671000 | Shower profile, 1000 mm, brushed stainless steel | 1 pc. |
| 2 | 675000 | Profile cover in stainless steel, brushed | 1 pc. |
| 3 | 675022 | Clickable standard sealing collar | 1 pc. |
| 4 | 675006 | Odour trap for "flat" drain | 1 pc. |
| 5 | 675009 | Removal hook for odour trap | 1 pc. |
| 6 | 675004 | Sound insulation strips for "standard", "flat" and "vertical" drain | 1 pc. |
| 7 | 673001 | Drain "flat", DN 40 | 1 pc. |
| 8 | 675016 | Protective cover for drains, incl. fixing screws | 1 pc. |
| 9 | 674000 | Assembly feet | 1 set |

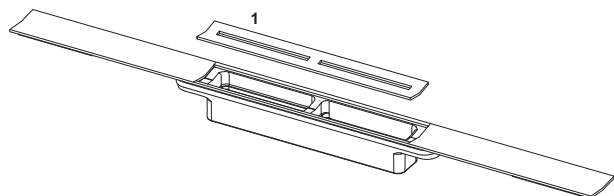
TECEdrainprofile – Spare parts

TECEdrainprofile shower profile set with black surface



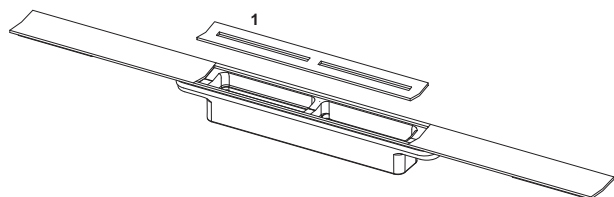
| Pos. | Item No. | Designation | DU 1 |
|------|----------|---|-------|
| 1 | 671021 | Shower profile, 1000 mm, brushed stainless steel, black | 1 pc. |
| 2 | 675024 | Profile cover brushed stainless steel, black (for shower profiles from 07/2023) | 1 pc. |
| 3 | 675022 | Clickable standard sealing collar | 1 pc. |
| 4 | 675006 | Odour trap for "flat" drain | 1 pc. |
| 5 | 675009 | Removal hook for odour trap | 1 pc. |
| 6 | 675004 | Sound insulation strips for "standard", "flat" and "vertical" drain | 1 pc. |
| 7 | 673001 | Drain "flat", DN 40 | 1 pc. |
| 8 | 675016 | Protective cover for drains, incl. fixing screws | 1 pc. |
| 9 | 674000 | Assembly feet | 1 set |

TECEdrainprofile shower profile



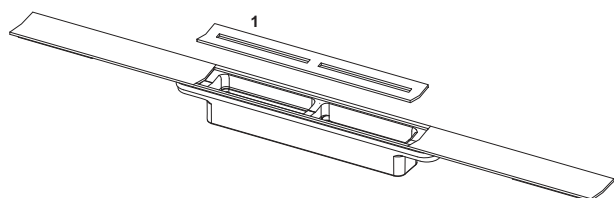
| Pos. | Item No. | Designation | DU 1 |
|------|----------|--|-------|
| 1 | 675000 | Profile cover in stainless steel, brushed | 1 pc. |
| | 675001 | Profile cover in stainless steel, polished | 1 pc. |

TECEdrainprofile shower profile with black surface



| Pos. | Item No. | Designation | DU 1 |
|------|----------|--|-------|
| 1 | 675019 | Profile cover stainless steel brushed, black (for shower profiles up to 06/2023) | 1 pc. |
| | 675024 | Profile cover brushed stainless steel, black (for shower profiles from 07/2023) | 1 pc. |

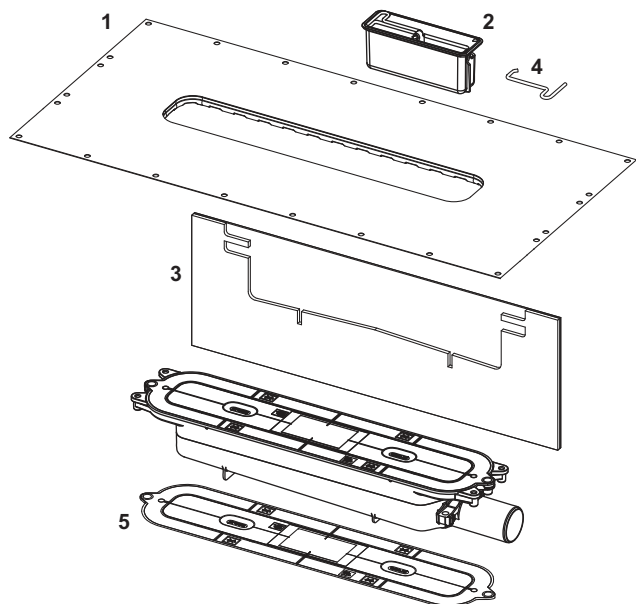
TECEdrainprofile shower profile with coloured surface



| Pos. | Item No. | Designation | DU 1 |
|------|----------|---|-------|
| 1 | 675010 | Profile cover stainless steel, brushed black chrome (for shower profiles up to 06/2023) | 1 pc. |
| | 675012 | Profile cover stainless steel, brushed gold look | 1 pc. |
| | 675014 | Profile cover stainless steel, brushed rose gold | 1 pc. |
| | 675011 | Profile cover stainless steel, polished black chrome | 1 pc. |
| | 675013 | Profile cover stainless steel, polished gold optic | 1 pc. |
| | 675015 | Profile cover stainless steel, polished red gold | 1 pc. |
| | 675025 | Profile cover stainless steel, brushed black chrome (for shower profiles from 07/2023) | 1 pc. |

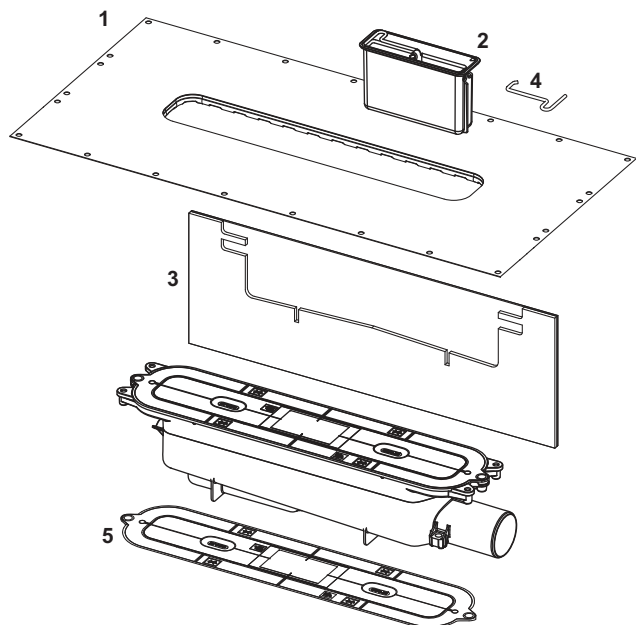
TECEdrainprofile – Spare parts

TECEdrainprofile drain "flat", DN 40 side drain



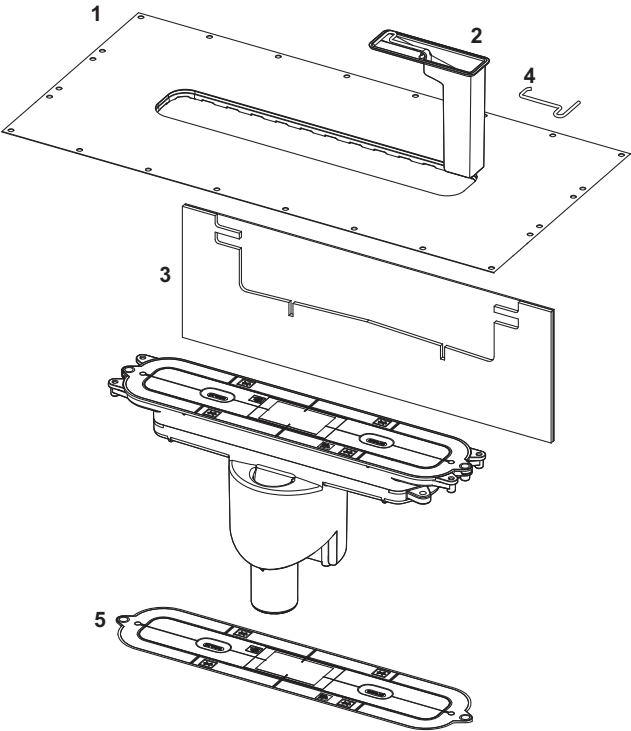
| Pos. | Item No. | Designation | DU 1 |
|------|----------|---|-------|
| 1 | 675005 | Click-together Seal System sealing sleeve | 1 pc. |
| 2 | 675006 | Odour trap for "flat" drain | 1 pc. |
| 3 | 675004 | Sound insulation strips for "standard", "flat" and "vertical" drain | 1 pc. |
| 4 | 675009 | Removal hook for odour trap | 1 pc. |
| 5 | 675016 | Protective cover for drains, incl. fixing screws | 1 pc. |

TECEdrainprofile drain "standard", DN 50 side drain



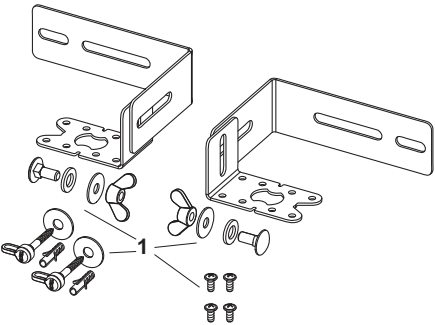
| Pos. | Item No. | Designation | DU 1 |
|------|----------|---|-------|
| 1 | 675005 | Click-together Seal System sealing sleeve | 1 pc. |
| 2 | 675008 | Odour trap for drain "standard" | 1 pc. |
| 3 | 675004 | Sound insulation strips for "standard", "flat" and "vertical" drain | 1 pc. |
| 4 | 675009 | Removal hook for odour trap | 1 pc. |
| 5 | 675016 | Protective cover for drains, incl. fixing screws | 1 pc. |

TECEdrainprofile drain “vertical”, DN 50 drain



| Pos. | Item No. | Designation | DU 1 |
|------|----------|---|-------|
| 1 | 675005 | Click-together Seal System sealing sleeve | 1 pc. |
| 2 | 675018 | Odour trap for “vertical” drain | 1 pc. |
| 3 | 675004 | Sound insulation strips for "standard", "flat" and "vertical" drain | 1 pc. |
| 4 | 675009 | Removal hook for odour trap | 1 pc. |
| 5 | 675016 | Protective cover for drains, incl. fixing screws | 1 pc. |

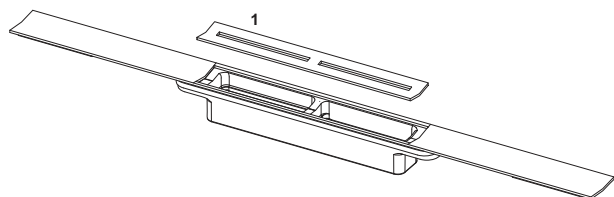
674001 – TECEdrainprofile wall and floor-mounting bracket



| Pos. | Item No. | Designation | DU 1 |
|------|----------|---|-------|
| 1 | 675017 | Spare part set (screws) for wall and floor mounting brackets for drains | 1 pc. |

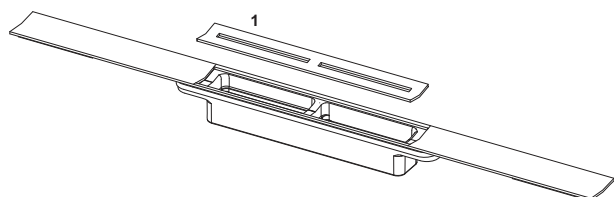
TECEdrainprofile – Spare parts

671000 – TECEdrainprofile shower profile



| Pos. | Item No. | Designation | DU 1 |
|------|----------|---|-------|
| 1 | 675000 | Profile cover in stainless steel, brushed | 1 pc. |

671021 – TECEdrainprofile shower profile with black surface



| Pos. | Item No. | Designation | DU 1 |
|------|----------|--|-------|
| 1 | 675019 | Profile cover stainless steel brushed, black (for shower profiles up to 06/2023) | 1 pc. |
| | 675024 | Profile cover brushed stainless steel, black (for shower profiles from 07/2023) | 1 pc. |

Drainage Systems

TECEdrainline SHOWER CHANNELS

TECEdrainline





| | Page |
|----------------------------------|------|
| Shower channels | 272 |
| Design covers, tileable channels | 278 |
| Shower channel sets | 282 |
| Channel for natural stone | 283 |
| Drains | 284 |
| Accessories | 286 |
| Evo accessories | 289 |
| Spare parts | 290 |

An overview of valid Declaration of Performance (DoP) is available on our website www.tece.com.

TECEdrainline – Shower channels

TECEdrainline-Evo shower channel*

Straight stainless steel channel body including factory fitted Seal System sealing sleeve with protective construction cover for installation in the screed, for creating a DIN 18534 compliant connection of the TECEdrainline shower channel to the composite seal.

Consisting of:

- Continuously closed channel body made of polished stainless steel, material 1.4301 (304)
- Anti-capillary edge to avoid water penetrating under the tiles via capillary action
- Anti-backflow secondary drainage via glass fibre enhanced plastic hard shell
- Factory-fitted Seal System sealing sleeve for installation by the customer in the liquid or strip composite seal
- Protective cover with seal of originality for stainless steel channel and Seal System sealing collar
- Recess for mounting of optional assembly feet and for anchoring in the screed
- Levelling points (left and right) for clipping and forming a wider screed drip edge for easier levelling
- Central channel support to connect the drain
- Internal gradient for improved water drainage and self-cleaning effect
- Immersion pipe seal
- Optional secondary drainage

Length in unfinished state incl. flange = 693, 793, ... mm

Visible length after installation = 651, 751, ... mm

Width in unfinished state incl. flange = 111 mm

Visible width

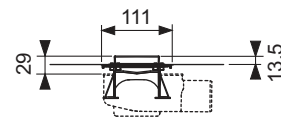
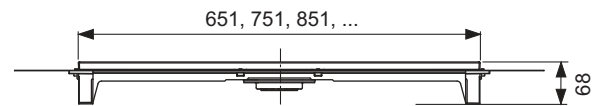
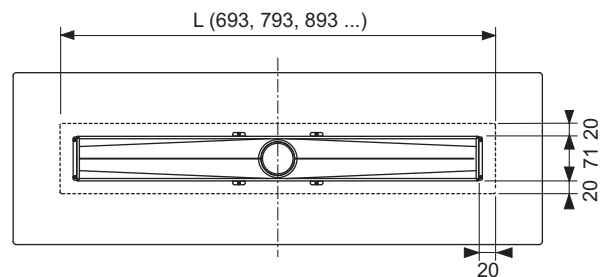
after installation = 71 mm

Installation height to upper edge of finished floor level (depending on drain):

- 68 mm drain "vertical"
- 70 mm drain "extra-flat"
- 96 mm drain "flat"
- 121 mm drain "standard"
- 149 mm drain "max"

Please order separately:

- Design cover/design grate or tileable channel
- Drain
- Assembly feet (optional)
- Drainbase sound insulation mat (optional), for adhering to the installation sound level as per DIN 4109 and the VDI 4100 sound protection level (SSt) I to III



| Nominal length | Total length L | Visible dim. after installation | Item No. | DU 1 | DU 2 |
|----------------|----------------|---------------------------------|----------|-------|--------|
| 700 mm | 693 mm | 651 mm | 600702 | 1 pc. | 49 pc. |
| 800 mm | 793 mm | 751 mm | 600802 | 1 pc. | 49 pc. |
| 900 mm | 893 mm | 851 mm | 600902 | 1 pc. | 49 pc. |
| 1000 mm | 993 mm | 951 mm | 601002 | 1 pc. | 49 pc. |
| 1200 mm | 1193 mm | 1151 mm | 601202 | 1 pc. | 49 pc. |

TECEdrainline-Evo shower channel with wall tile support*

Straight stainless steel channel body including factory fitted Seal System sealing sleeve with protective construction cover for installation on the wall in the screed, for creating a DIN 18534 compliant connection of the TECEdrainline shower channel to the composite seal.

Consisting of:

- Continuously closed channel body made of polished stainless steel, material 1.4301 (304) with wall tile support
- Anti-capillary edge to avoid water penetrating under the tiles via capillary action
- Anti-backflow secondary drainage via glass fibre enhanced plastic hard shell
- Factory-fitted Seal System sealing sleeve for installation by the customer in the liquid or strip composite seal
- Protective cover with seal of originality for stainless steel channel and Seal System sealing collar
- Recess for mounting of optional assembly feet and for anchoring in the screed
- Levelling points (left and right) for clipping and forming a wider screed drip edge for easier levelling
- Central channel support to connect the drain
- Internal gradient for improved water drainage and self-cleaning effect
- Sound insulation strips
- Immersion pipe seal
- Optional secondary drainage

Length in unfinished state incl. flange = 693, 793, ... mm

Visible length after installation = 651, 751, ... mm

Width in unfinished state incl. flange = 111 mm

Visible width

after installation = 84.5 mm

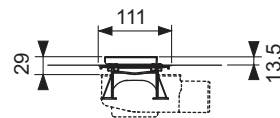
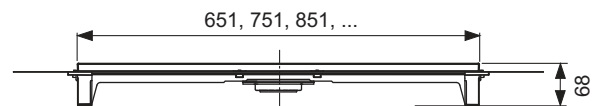
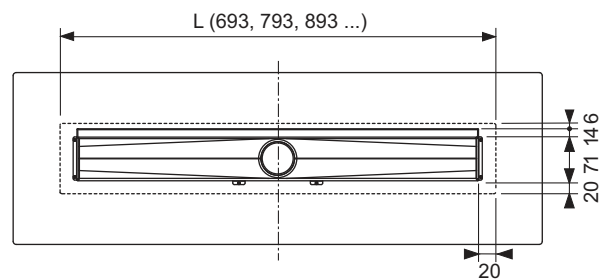
Installation height to upper edge of finished floor (depending on drain):

- 68 mm drain "vertical"
- 70 mm drain "extra-flat"
- 96 mm drain "flat"
- 121 mm drain "standard"

Caution: Not compatible with the drain "max".

Please order separately:

- Design cover/design grate or tileable channel
- Drain
- Assembly feet (optional)
- Drainbase sound insulation mat (optional), for adherence to installation noise level according to DIN 4109 and VDI 4100 sound protection level (SSt) I to III



| Nominal length | Total length L | Visible dim. after installation | Item No. | DU 1 | DU 2 |
|----------------|----------------|---------------------------------|----------|-------|--------|
| 700 mm | 693 mm | 651 mm | 600703 | 1 pc. | 49 pc. |
| 800 mm | 793 mm | 751 mm | 600803 | 1 pc. | 49 pc. |
| 900 mm | 893 mm | 851 mm | 600903 | 1 pc. | 49 pc. |
| 1000 mm | 993 mm | 951 mm | 601003 | 1 pc. | 49 pc. |
| 1200 mm | 1193 mm | 1151 mm | 601203 | 1 pc. | 49 pc. |

TECEdrainline – Shower channels

TECEdrainline-Evo shower channel, colour-coated*

Coloured stainless steel channel body, including factory-fitted Seal System sealing collar with construction time protection for installation in the screed, for a DIN 18534-compliant connection of the TECEdrainline shower channel to the composite seal.

Consisting of:

- Continuous closed channel body made of polished, coated stainless steel, material 1.4301 (304)
- Capillary protection edge to prevent capillary shower water entering under the tiles
- Backwater-proof secondary drainage via the glass-fibre reinforced plastic hard shell
- Seal System sealing collar attached at the factory for on-site incorporation into the liquid or sheet composite seal
- Construction time protection with tamper-evident seal for coated stainless steel channel and Seal System sealing collar
- Holder for mounting optional assembly feet and for anchoring in the screed
- Levelling points (left and right) for clipping and for forming a wider screed take-off edge for simplified levelling
- Central gutter socket for connecting the drain
- Internal slope to improve water drainage and self-cleaning effect
- Immersion pipe seal
- Optional secondary drainage

Length in unfinished state incl. flange = 693, 793, ... mm

Visible length after installation = 651, 751, ... mm

Width in unfinished state incl. flange = 111 mm

Visible width

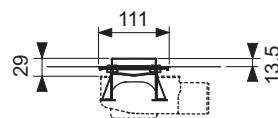
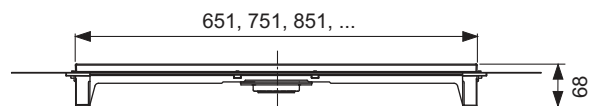
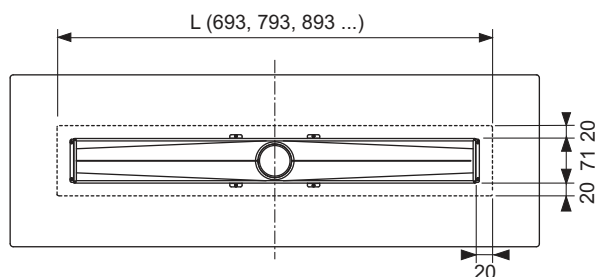
after installation = 71 mm

Installation height up to upper edge of finished floor (depending on drain):

- 68 mm drain "vertical"
- 70 mm drain "extra-flat"
- 96 mm drain "flat"
- 121 mm drain "standard"
- 149 mm drain "max"

Please order separately:

- Coloured design cover
- Drain
- Assembly feet (optional)
- Drainbase sound insulation mat (optional), for adherence to installation noise level according to DIN 4109 and VDI 4100 sound insulation levels (SSt) I to III



| Nominal length | Total length L | Visible dim. after installation | Colour | Item No. | DU 1 | DU 2 |
|----------------|----------------|---------------------------------|------------|----------|-------|--------|
| 700 mm | 693 mm | 651 mm | Matt black | 600707 | 1 pc. | 49 pc. |
| 800 mm | 793 mm | 751 mm | Matt black | 600807 | 1 pc. | 49 pc. |
| 900 mm | 893 mm | 851 mm | Matt black | 600907 | 1 pc. | 49 pc. |
| 1000 mm | 993 mm | 951 mm | Matt black | 601007 | 1 pc. | 49 pc. |
| 1200 mm | 1193 mm | 1151 mm | Matt black | 601207 | 1 pc. | 49 pc. |
| 700 mm | 693 mm | 651 mm | Matt white | 600708 | 1 pc. | 49 pc. |
| 800 mm | 793 mm | 751 mm | Matt white | 600808 | 1 pc. | 49 pc. |
| 900 mm | 893 mm | 851 mm | Matt white | 600908 | 1 pc. | 49 pc. |
| 1000 mm | 993 mm | 951 mm | Matt white | 601008 | 1 pc. | 49 pc. |
| 1200 mm | 1193 mm | 1151 mm | Matt white | 601208 | 1 pc. | 49 pc. |

TECEDrainline shower channel with Seal System sealing tape*

Straight channel body for installation in the screed, with flange and Seal System sealing tape, for creating an independently tested connection of the TECEDrainline shower channel to the composite seal.

Consisting of:

- Channel body with flange made of polished stainless steel, material 1.4301 (304)
- Seal System sealing tape with matting for installation by the customer in the liquid or strip composite seal
- Connecting clips for anchoring in the screed and fitting of optional assembly feet
- Central connection pieces for drain
- Internal incline for improved water drainage and self-cleaning effect
- Seal

Length in unfinished state incl. flange = 711, 811, ... mm

Visible length after installation = 651, 751, ... mm

Width in unfinished state incl. flange = 150 mm

Visible width

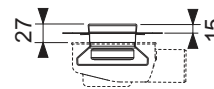
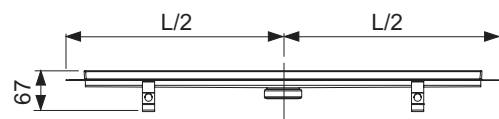
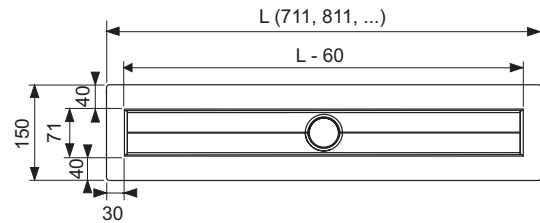
after installation = 71 mm

Installation height to upper edge of finished floor level (depending on drain):

- 67 mm drain "vertical"
- 68.5 mm drain "extra-flat"
- 95 mm drain "flat"
- 120 mm drain "standard"
- 148 mm drain "max"

Please order separately:

- Design cover/design grate or tileable channel
- Drain
- Assembly feet (optional)
- Drainbase sound insulation mat (optional), for adhering to the installation sound level as per DIN 4109 and the VDI 4100 sound protection levels (SSt) I to III



| Nominal length | Total length L | Visible dim. after installation | Item No. | DU 1 | DU 2 |
|----------------|----------------|---------------------------------|----------|-------|--------|
| 700 mm | 711 mm | 651 mm | 600700 | 1 pc. | 40 pc. |
| 800 mm | 811 mm | 751 mm | 600800 | 1 pc. | 40 pc. |
| 900 mm | 911 mm | 851 mm | 600900 | 1 pc. | 40 pc. |
| 1000 mm | 1011 mm | 951 mm | 601000 | 1 pc. | 40 pc. |
| 1200 mm | 1211 mm | 1151 mm | 601200 | 1 pc. | 40 pc. |
| 1500 mm | 1511 mm | 1451 mm | 601500 | 1 pc. | 40 pc. |

Custom lengths, exclusive designs

We will be happy to produce custom lengths or a grate design to suit your own specifications. You will find the corresponding order form as a download on our website and in our product database. We will advise you of the costs when you submit your enquiry. The delivery time is about four to six weeks after approval and clarification of all details. Custom lengths and custom finishes cannot be cancelled after approval is given, and cannot be returned.

Maximum length to order 1500 mm.

TECEdrainline – Shower channels

TECEdrainline shower channel with wall upstand and Seal System sealing tape*

Straight channel body with wall upstand for installation in the screed against the wall, with flange and Seal System sealing tape, for creating an independently tested connection of the TECEdrainline shower channel to the composite seal.

Consisting of:

- Channel body with flange made of polished stainless steel, material 1.4301 (304)
- Seal System sealing tape with matting for installation by the customer in the liquid or strip composite seal
- Connecting clips for anchoring in the screed and fitting of optional assembly feet
- Central connection piece for drain
- Internal incline for improved water drainage and self-cleaning effect
- Seal

Length in unfinished state incl. flange = 711, 811, ... mm

Visible length after installation = 651, 751, ... mm

Width in unfinished state incl. flange = 124 mm

Visible width

after installation = 69 mm

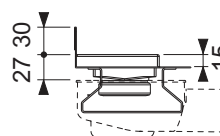
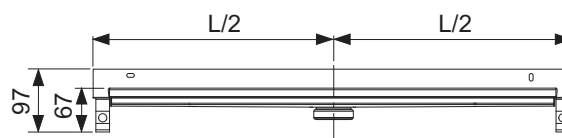
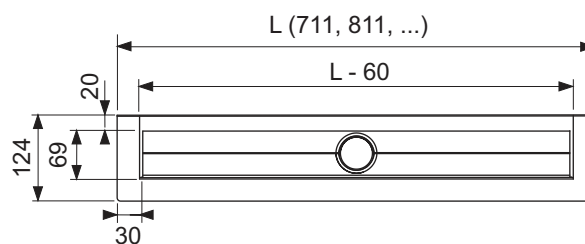
Installation height to upper edge of finished floor (depending on drain):

- 67 mm drain "vertical"
- 68.5 mm drain "extra-flat"
- 95 mm drain "flat"
- 120 mm drain "standard"

Caution: Not compatible with the "max" drain!

Please order separately:

- Design cover/design grate or tileable channel
- Drain
- Assembly feet (optional)
- Drainbase sound insulation mat (optional), for adherence to installation noise level according to DIN 4109 and VDI 4100 sound protection levels (SSt) I to III



| Nominal length | Total length L | Visible dim. after installation | Item No. | DU 1 | DU 2 |
|----------------|----------------|---------------------------------|----------|-------|--------|
| 700 mm | 711 mm | 651 mm | 600701 | 1 pc. | 32 pc. |
| 800 mm | 811 mm | 751 mm | 600801 | 1 pc. | 32 pc. |
| 900 mm | 911 mm | 851 mm | 600901 | 1 pc. | 32 pc. |
| 1000 mm | 1011 mm | 951 mm | 601001 | 1 pc. | 32 pc. |
| 1200 mm | 1211 mm | 1151 mm | 601201 | 1 pc. | 32 pc. |
| 1500 mm | 1511 mm | 1451 mm | 601501 | 1 pc. | 32 pc. |

Custom lengths, exclusive designs

We will be happy to produce custom lengths or a grate design to suit your own specifications. You will find the corresponding order form as a download on our website and in our product database. We will advise you of the costs when you submit your enquiry. The delivery time is about four to six weeks after approval and clarification of all details. Custom lengths and custom finishes cannot be cancelled after approval is given, and cannot be returned.

Maximum length to order 1500 mm.

TECEdrainline shower channel, colour coated, with Seal System sealing tape*

Coloured channel body for installation in screed, with flange and Seal System sealing tape, for creating an independently tested connection of the TECEdrainline shower channel to the composite seal.

Consisting of:

- Channel body with flange made of polished, coated stainless steel, material 1.4301 (304)
- Seal System sealing tape with fleace lamination for on-site installation in the liquid or strip composite seal
- Connecting clips for anchoring in the screed and fitting of optional assembly feet
- Central connection pieces for drains
- Internal incline for improved water drainage and self-cleaning effect
- Seals

Length in unfinished state incl. flange = 711, 811, ... mm

Visible length after installation = 651, 751, ... mm

Width in unfinished state incl. flange = 150 mm

Visible width

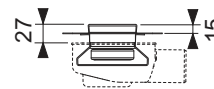
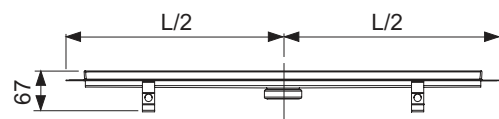
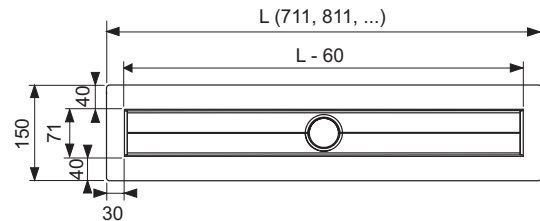
after installation = 71 mm

Installation height up to upper edge of finished floor (depending on drain):

- 67 mm drain "vertical"
- 68.5 mm drain "extra-flat"
- 95 mm drain "flat"
- 120 mm drain "standard"
- 148 mm drain "max"

Please order separately:

- Coloured design cover
- Drain
- Assembly feet (optional)
- Drainbase sound insulation mat (optional), for adherence to installation noise level according to DIN 4109 and VDI 4100 sound insulation levels (SSt) I to III



| Nominal length | Total length L | Visible dim. after installation | Colour | Item No. | DU 1 | DU 2 |
|----------------|----------------|---------------------------------|------------|----------|-------|--------|
| 700 mm | 711 mm | 651 mm | Matt black | 600705 | 1 pc. | 40 pc. |
| 800 mm | 811 mm | 751 mm | Matt black | 600805 | 1 pc. | 40 pc. |
| 900 mm | 911 mm | 851 mm | Matt black | 600905 | 1 pc. | 40 pc. |
| 1000 mm | 1011 mm | 951 mm | Matt black | 601005 | 1 pc. | 40 pc. |
| 1200 mm | 1211 mm | 1151 mm | Matt black | 601205 | 1 pc. | 40 pc. |
| 1500 mm | 1511 mm | 1451 mm | Matt black | 601505 | 1 pc. | 40 pc. |
| 700 mm | 711 mm | 651 mm | Matt white | 600706 | 1 pc. | 40 pc. |
| 800 mm | 811 mm | 751 mm | Matt white | 600806 | 1 pc. | 40 pc. |
| 900 mm | 911 mm | 851 mm | Matt white | 600906 | 1 pc. | 40 pc. |
| 1000 mm | 1011 mm | 951 mm | Matt white | 601006 | 1 pc. | 40 pc. |
| 1200 mm | 1211 mm | 1151 mm | Matt white | 601206 | 1 pc. | 40 pc. |
| 1500 mm | 1511 mm | 1451 mm | Matt white | 601506 | 1 pc. | 40 pc. |

TECEdrainline – Design covers, tileable channels

TECEdrainline tileable channel "plate II" stainless steel for shower channel

Tileable channel for TECEdrainline shower channel, for fitting into the channel body, made of stainless steel. Maximum test load 300 kg based on load class K3. Tiles can be attached by the customer using elastic adhesive, e.g. silicon or epoxy resin adhesive.

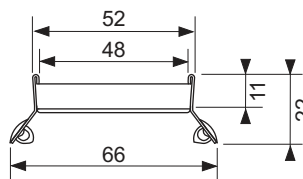
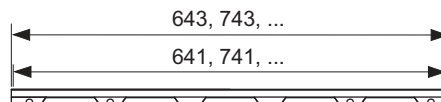
Caution:

Check the adhesive to ensure tile compatibility!

| Nominal length | Surface | Item No. | DU 1 |
|----------------|----------|----------|-------|
| 700 mm | Polished | 600772 | 1 pc. |
| 800 mm | Polished | 600872 | 1 pc. |
| 900 mm | Polished | 600972 | 1 pc. |
| 1000 mm | Polished | 601072 | 1 pc. |
| 1200 mm | Polished | 601272 | 1 pc. |
| 1500 mm | Polished | 601572 | 1 pc. |



Design "plate II"



TECEdrainline tileable channel "plate" stainless steel for shower channel

Tileable channel for TECEdrainline shower channel, for fitting into the channel body, made of stainless steel, with polished visible edges. Maximum test load 300 kg based on load class K3. Tiles can be attached by the customer using elastic adhesive, e.g. silicon or epoxy resin adhesive.

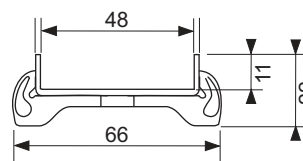
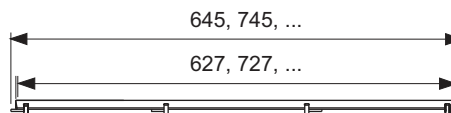
Caution:

Check the adhesive to ensure tile compatibility!

| Nominal length | Surface | Item No. | DU 1 |
|----------------|----------|----------|-------|
| 700 mm | Polished | 600770 | 1 pc. |
| 800 mm | Polished | 600870 | 1 pc. |
| 900 mm | Polished | 600970 | 1 pc. |
| 1000 mm | Polished | 601070 | 1 pc. |
| 1200 mm | Polished | 601270 | 1 pc. |
| 1500 mm | Polished | 601570 | 1 pc. |



Design "plate"



TECEdrainline glass cover for shower channel, satin finish

Design cover for TECEdrainline shower channel, made of stainless steel with a satined glass surface, for fitting into the channel body. Maximum test load 300 kg based on load class K3.

The finishes are colour matched to the TECESquare II glas toilet flush plates.

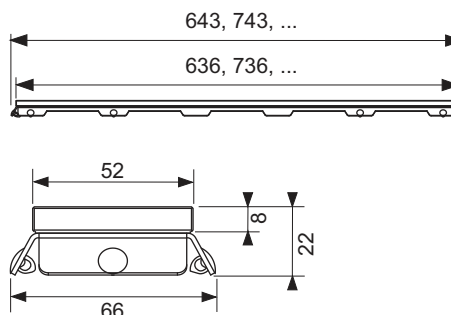
Note:

Production of custom lengths not possible

| Nominal length | Surface | Item No. | DU 1 |
|----------------|---------------------|----------|-------|
| 700 mm | Satined white glass | 600793 | 1 pc. |
| 700 mm | Satined black glass | 600794 | 1 pc. |
| 800 mm | Satined white glass | 600893 | 1 pc. |
| 800 mm | Satined black glass | 600894 | 1 pc. |
| 900 mm | Satined white glass | 600993 | 1 pc. |
| 900 mm | Satined black glass | 600994 | 1 pc. |
| 1000 mm | Satined white glass | 601093 | 1 pc. |
| 1000 mm | Satined black glass | 601094 | 1 pc. |
| 1200 mm | Satined white glass | 601293 | 1 pc. |
| 1200 mm | Satined black glass | 601294 | 1 pc. |
| 1500 mm | Satined white glass | 601593 | 1 pc. |
| 1500 mm | Satined black glass | 601594 | 1 pc. |



Design "glass"



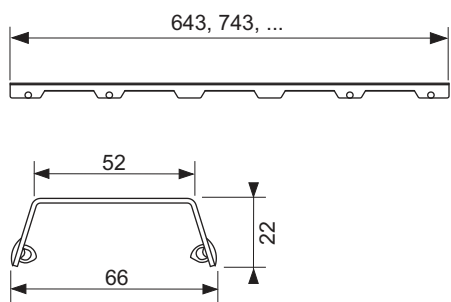
TECEdrainline design cover "steel II" stainless steel for shower channel

Design cover for TECEdrainline shower channel, made of stainless steel, for fitting into the channel body, load capacity based on load class K3 – test load 300 kg.

| Nominal length | Surface | Item No. | DU 1 |
|----------------|----------|----------|-------|
| 700 mm | Polished | 600782 | 1 pc. |
| 700 mm | Brushed | 600783 | 1 pc. |
| 800 mm | Polished | 600882 | 1 pc. |
| 800 mm | Brushed | 600883 | 1 pc. |
| 900 mm | Polished | 600982 | 1 pc. |
| 900 mm | Brushed | 600983 | 1 pc. |
| 1000 mm | Polished | 601082 | 1 pc. |
| 1000 mm | Brushed | 601083 | 1 pc. |
| 1200 mm | Polished | 601282 | 1 pc. |
| 1200 mm | Brushed | 601283 | 1 pc. |
| 1500 mm | Polished | 601582 | 1 pc. |
| 1500 mm | Brushed | 601583 | 1 pc. |



Design "steel II"



TECEdrainline – Design covers, tileable channels

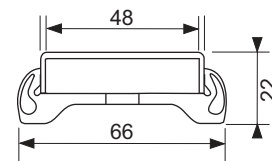
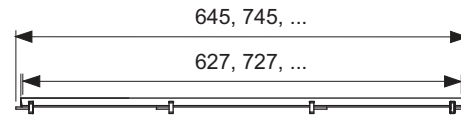
TECEdrainline design cover "steel" stainless steel colour-coated for shower channel

Design cover for TECEdrainline shower channel, made of stainless steel with coloured coating, for fitting into the channel body. Maximum test load 300 kg based on load class K3.

| Nominal length | Colour | Item No. | DU 1 |
|----------------|------------|----------|-------|
| 700 mm | Matt black | 600785 | 1 pc. |
| 700 mm | Matt white | 600786 | 1 pc. |
| 800 mm | Matt black | 600885 | 1 pc. |
| 800 mm | Matt white | 600886 | 1 pc. |
| 900 mm | Matt black | 600985 | 1 pc. |
| 900 mm | Matt white | 600986 | 1 pc. |
| 1000 mm | Matt black | 601085 | 1 pc. |
| 1000 mm | Matt white | 601086 | 1 pc. |
| 1200 mm | Matt black | 601285 | 1 pc. |
| 1200 mm | Matt white | 601286 | 1 pc. |
| 1500 mm | Matt black | 601585 | 1 pc. |
| 1500 mm | Matt white | 601586 | 1 pc. |



Design "steel"



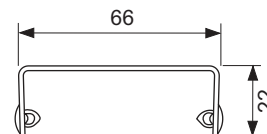
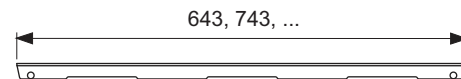
TECEdrainline design grate "basic" stainless steel for shower channel

Design grate for TECEdrainline shower channel, made of stainless steel, for fitting into the channel body, load capacity based on load class K3 – test load 300 kg.

| Nominal length | Surface | Item No. | DU 1 |
|----------------|----------|----------|-------|
| 700 mm | Polished | 600710 | 1 pc. |
| 700 mm | Brushed | 600711 | 1 pc. |
| 800 mm | Polished | 600810 | 1 pc. |
| 800 mm | Brushed | 600811 | 1 pc. |
| 900 mm | Polished | 600910 | 1 pc. |
| 900 mm | Brushed | 600911 | 1 pc. |
| 1000 mm | Polished | 601010 | 1 pc. |
| 1000 mm | Brushed | 601011 | 1 pc. |
| 1200 mm | Polished | 601210 | 1 pc. |
| 1200 mm | Brushed | 601211 | 1 pc. |
| 1500 mm | Polished | 601510 | 1 pc. |
| 1500 mm | Brushed | 601511 | 1 pc. |



Design "basic"



TECEdrainline design grate "quadratum" stainless steel for shower channel

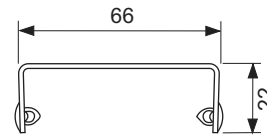
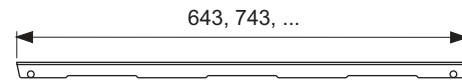
Design grate for TECEdrainline shower channel, made of stainless steel, for fitting into the channel body, load class K3 – test load 300 kg.

Maximum slip resistance for wet loaded barefoot areas, Class C to DIN 5 1097 (for brushed surface).

| Nominal length | Surface | Item No. | DU 1 |
|----------------|---------|----------|-------|
| 700 mm | Brushed | 600751 | 1 pc. |
| 800 mm | Brushed | 600851 | 1 pc. |
| 900 mm | Brushed | 600951 | 1 pc. |
| 1000 mm | Brushed | 601051 | 1 pc. |
| 1200 mm | Brushed | 601251 | 1 pc. |
| 1500 mm | Brushed | 601551 | 1 pc. |



Design "quadratum"



TECEdrainline – Shower channel sets

TECEdrainline shower channel set with cover "2 in 1"

Shower channel set with factory-fitted standard sealing collar consisting of a shower channel base body, a reversible cover "2 in 1" (brushed stainless steel look or tileable), a "flat" drain and four assembly feet.

| Nominal length | Item No. | DU 1 |
|----------------|----------|-------|
| 700 mm | 640726 | 1 set |
| 800 mm | 640826 | 1 set |
| 900 mm | 640926 | 1 set |



TECEdrainline – Channel for natural stone

TECEdrainline shower channel for natural stone with Seal System sealing set and stainless steel support as a set*

Straight channel body and support sheet for TECEdrainline shower channel, for installation in the screed and laying by the customer of large tiles/natural stone slabs, with flange and Seal System sealing tape, for creating an independently tested connection of the TECEdrainline shower channel to the composite seal.

Consisting of:

- Channel body with flange made of polished stainless steel, material 1.4301 (304)
- Seal System sealing tape with matting for installation by the customer in the liquid or strip composite seal
- Connecting clips for anchoring in the screed and fitting of optional assembly feet
- Central connection piece for drain
- Internal incline for improved water drainage and self-cleaning effect
- Support sheet made of stainless steel – material 1.4301 (304) – for fitting in the channel body
- Seals

Minimal installation height (without covering) to upper edge of channel:

- 52 mm drain "vertical"
- 61.5 mm drain "extra-flat"
- 87 mm drain "flat"
- 112 mm drain "standard"
- 140 mm drain "max"

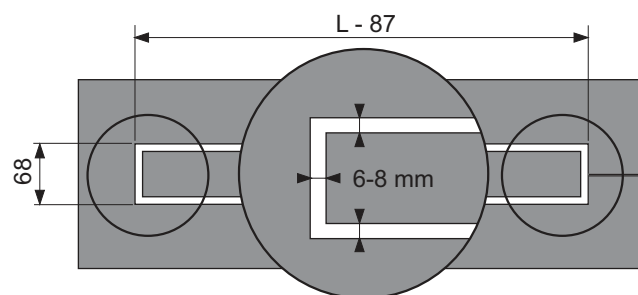
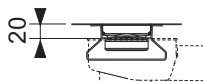
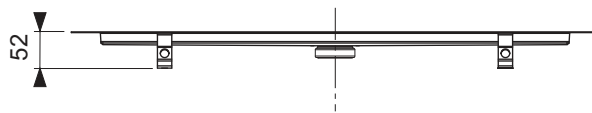
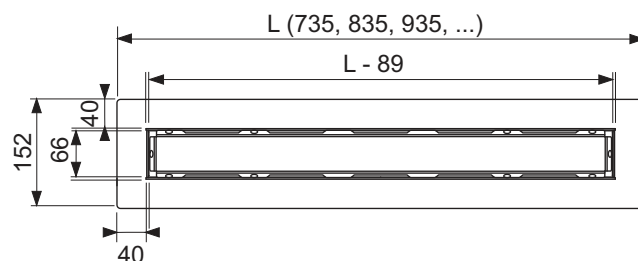
Covering cut-out length x width: (L - 87 mm) x 68 mm

Width of the continuous surrounding drain opening: 6-8 mm (see drawing on the right)

Please order separately:

- Drain
- Assembly feet (optional)
- Drainbase sound insulation mat (optional), for adherence to installation noise level according to DIN 4109 and VDI 4100 sound protection levels (SS) I to III

Caution: Design cover "steel II" possible as custom-made cover; all other design covers (tileable channel, glass covers, design grates) are unsuitable!



| Nominal length | Total length L | Support sheet length L - 89 | Covering cut-out length L - 87 | Item No. | DU 1 | DU 2 |
|----------------|----------------|-----------------------------|--------------------------------|----------|-------|--------|
| 700 mm | 735 mm | 646 mm | 648 mm | 650700 | 1 pc. | 40 pc. |
| 800 mm | 835 mm | 746 mm | 748 mm | 650800 | 1 pc. | 40 pc. |
| 900 mm | 935 mm | 846 mm | 848 mm | 650900 | 1 pc. | 40 pc. |
| 1000 mm | 1035 mm | 946 mm | 948 mm | 651000 | 1 pc. | 40 pc. |
| 1200 mm | 1235 mm | 1146 mm | 1148 mm | 651200 | 1 pc. | 40 pc. |
| 1500 mm | 1535 mm | 1446 mm | 1448 mm | 651500** | 1 pc. | 20 pc. |

Custom lengths, exclusive designs

We will be happy to produce custom lengths or a grate design to suit your own specifications. You will find the corresponding order form as a download on our website and in our product database. We will advise you of the costs when you submit your enquiry. The delivery time is about four to six weeks after approval and clarification of all details. Custom lengths and custom finishes cannot be cancelled after approval is given, and cannot be returned.

Maximum length to order 1500 mm.

* Information on Seal System can be found online at www.sealsystem.net.

** Delivery time on request

TECEdrainline – Drains

TECEdrainline drain "extra-flat", DN 40 side drain

Extra-low drain for TECEdrainline shower channel to create rotatable fitting with the channel body and side connection to DN 40 drain pipe, with removable siphon immersion pipe. Fulfills the requirements of EN 1253-6.

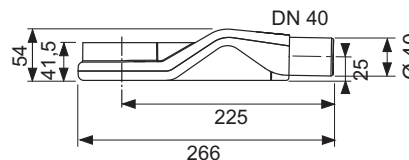
- Installation height from bottom edge of drain to upper edge of shower channel = 68.5 mm
- Reduced sealing water height = 30 mm

Drainage capacity according to EN 1253, for 10/20 mm build-up above grate:

- Design grate "basic": 0.5/0.6 l/s
- Design cover "steel II": 0.5/0.6 l/s
- Tileable channel "plate"/"plate II": 0.5/0.6 l/s

Caution:

Because of the low installation height, sufficient screed cover is not possible in the area of the drain. Therefore only use large tiles and reinforcement to prevent cracks. Not suitable for wheelchairs!



| Item No. | DU 1 | DU 2 |
|----------|-------|---------|
| 650004 | 1 pc. | 472 pc. |

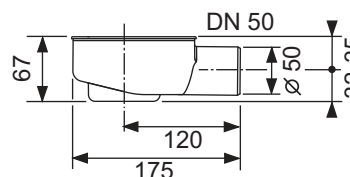
TECEdrainline drain "flat", DN 50 side drain

Drain for TECEdrainline shower channel to fit to the channel body, drain can be turned 360°, for lateral connection to DN 50 drain pipe, with removable siphon immersion pipe. Fulfills the requirements of EN 1253-6.

- Installation height from bottom edge of drain to upper edge of shower channel = 95 mm
- Reduced sealing water height = 25 mm

Drainage capacity according to EN 1253, for 10/20 mm build-up above grate:

- Design grate "basic": 0.8/0.8 l/s
- Design cover "steel II": 0.7/0.8 l/s
- Tileable channel "plate"/"plate II": 0.7/0.8 l/s



| Item No. | DU 1 | DU 2 |
|----------|-------|---------|
| 650000 | 1 pc. | 360 pc. |

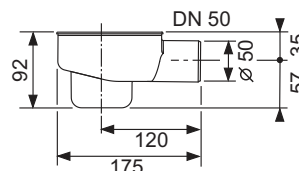
TECEdrainline drain "standard", DN 50 side drain

Drain for TECEdrainline shower channel to fit to the channel body, drain can be turned 360°, for lateral connection to DN 50 drain pipe, with removable siphon immersion pipe. Fulfills the requirements of EN 1253-1.

- Installation height from bottom edge of drain to upper edge of shower channel = 120 mm
- Sealing water height = 50 mm

Drainage capacity according to EN 1253, for 10/20 mm build-up above grate:

- Design grate "basic": 0.8/0.9 l/s
- Design cover "steel II": 0.7/0.8 l/s
- Tileable channel "plate"/"plate II": 0.7/0.8 l/s



| Item No. | DU 1 | DU 2 |
|----------|-------|---------|
| 650001 | 1 pc. | 288 pc. |

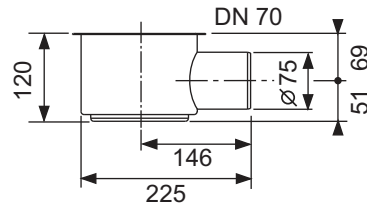
TECEDrainline drain "max", DN 70 side drain

Drain for TECEDrainline shower channel to fit to the channel body, drain can be turned 360°, for lateral connection to DN 70 drain pipe, with removable siphon immersion pipe. Fulfils the requirements of EN 1253-1.

- Installation height from bottom edge of drain to upper edge of shower channel = 148 mm
- Sealing water height = 60 mm

Drainage capacity according to EN 1253, for 10/20 mm build-up above grate:

- Design grate "basic": 1.2/1.4 l/s
- Design cover "steel II": 1.2/1.3 l/s
- Tileable channel "plate"/"plate II": 1.1/1.2 l/s



| Item No. | DU 1 | DU 2 |
|----------|-------|--------|
| 650002 | 1 pc. | 75 pc. |

TECEDrainline drain "vertical", DN 50 vertical drain

Vertical drain for TECEDrainline shower channel to fit to the channel body, drain can be rotated 360°, for vertical connection to a DN 50 drain pipe, with removable siphon immersion pipe. Fulfils the requirements of EN 1253-1.

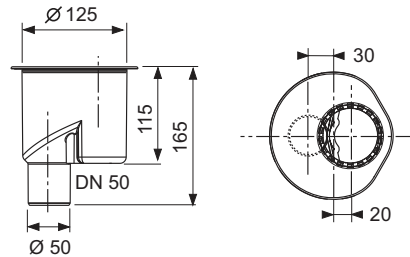
- Minimum installation height from bottom edge of connecting clip to upper edge of shower channel = 67 mm
- Sealing water height = 50 mm
- Coring required = 130 mm

Drainage capacity according to EN 1253, for 10/20 mm build-up above grate:

- Design grate "basic": 1.3/1.3 l/s
- Design cover "steel II": 1.3/1.3 l/s
- Tileable channel "plate"/"plate II": 1.2/1.2 l/s

Please order separately:

- FireStop EI 120 DN 50 fire protection set (optional)



| Item No. | DU 1 | DU 2 |
|----------|-------|---------|
| 650003 | 1 pc. | 175 pc. |

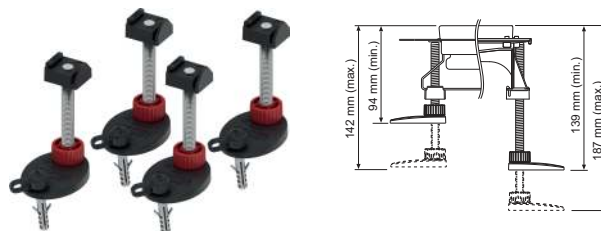
TECEDrainline – Accessories

TECEDrainline assembly feet

Assembly feet to make it easy to adjust the height of the channel body and fix the position during shell assembly.

Consisting of:

- 4 x assembly feet incl. sound-proofing cap and mounting material



| Version | Item No. | DU 1 | DU 2 |
|--|----------|-------|--------|
| 94-142 mm drains "flat" and "standard" | 660003 | 1 set | 45 set |
| 139-187 mm drain "max" | 660004 | 1 set | 30 set |

TECEDrainline/TECEDrainprofile fire protection set FireStop EI 120 DN 50

Fire protection set for direct vertical installation on the TECEDrainline/TECEDrainprofile DN 50 drain, for highly fire resistant partitioning of ceiling bushings in solid ceilings up to 120 min., classification in accordance with EN 13501 for fire protection class EI 120-U/C and E 120-U/C, European technical approval (ETA-11/0437), a general type approval has been applied for.

Set consisting of:

- Fire protection sleeve, 2 cross-recessed screws, identification plate, 150 mm DN 50 PP-HT pipe according to EN 1451
- Required core drill hole: \varnothing 130 mm (\varnothing min = 129 mm, \varnothing max = 133 mm)
- Application area: Solid ceilings from 150-325 mm ceiling thickness
- Grouting or filling of the gap is not necessary



| Item No. | DU 1 | DU 2 |
|----------|-------|--------|
| 660006 | 1 pc. | 50 pc. |

TECE PP-HT adapter on PVC drain pipes

Adapter to connect TECEDrainline and TECEDrainpoint S drains to PVC waste water pipes.



| Dimension | Item No. | DU 1 | DU 2 | DU 3 |
|-------------|----------|-------|--------|----------|
| DN 40/DN 40 | 3690000 | 1 pc. | 70 pc. | 1120 pc. |
| DN 50/DN 40 | 3690001 | 1 pc. | 70 pc. | 1120 pc. |
| DN 50/DN 50 | 3690002 | 1 pc. | 70 pc. | 1120 pc. |

TECE adapter DN 50/2"

Adapter to connect TECEDrainline, TECEDrainpoint S and TECEDrainprofile drains to 2" PVC waste water pipes in accordance with BS5255.



| Item No. | DU 1 | DU 2 |
|----------|-------|--------|
| 669012 | 1 pc. | 10 pc. |

TECE hair trap for shower channels

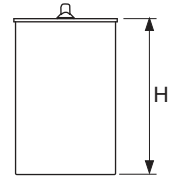
Hair trap made of stainless steel, for fitting into the channel body.



| Item No. | DU 1 | DU 2 |
|----------|-------|--------|
| 660005 | 1 pc. | 10 pc. |

TECEdrainline membrane odour trap for TECEdrainline drains

Plastic immersion pipe with inner sealing lip membrane as protection against evaporation, barrier against odour and vermin (two-stage trap effect through water seal and sealing lip membrane).



| Version | H | Item No. | DU 1 | DU 2 |
|--------------------------------|-------|----------|-------|---------|
| For "extra-flat" drain | 24 mm | 660015 | 1 pc. | 150 pc. |
| For "flat" drain | 45 mm | 660016 | 1 pc. | 100 pc. |
| For "max" and "vertical" drain | 94 mm | 660017 | 1 pc. | 100 pc. |
| For "standard" drain | 74 mm | 660018 | 1 pc. | 100 pc. |

TECEdrainline Seal System sealing tape*

Self-adhesive butyl sealing tape with matting for sealing TECEdrainline shower channels. For direct adhesion by the customer on the stainless steel flange of the shower channel. With matting for installation in the liquid or strip composite seal. Roll width: 100 mm



| Item No. | DU 1 | DU 2 |
|----------|-------|--------|
| 660019 | 3.9 m | 31.2 m |

TECE sound insulation mat Drainbase for TECEdrainprofile, TECEdrainline and TECEdrainpoint S

Sound insulation mat for assembly under floating screed in the area of floor-level showers or throughout the bathroom. To reduce plumbing noise and provide impact noise insulation for renovations and new buildings. Made from recycled high-tensile rubber granules bound with PUR elastomer. Meets enhanced sound insulation requirements for installation noise level according to DIN 4109-5, issued 2020-08 and the highest sound insulation level SSt III according to VDI 4100, issued 2012-10 (sound test verification available on request).



- Form of delivery: 1.25 m x 1.25 m x 6 mm
- Fire class: B2 (DIN 4102)
- Thermal resistance: 0.05 (m²K)/W
- Compression at 15 t/m²: 0.6 mm
- Impact noise reduction: ΔLw= 20 dB(A) (for 50 mm screed)

| Item No. | DU 1 | DU 2 |
|----------|-------|--------|
| 660001 | 1 pc. | 16 pc. |

* Information on Seal System can be found online at www.sealsystem.net.

TECEdrainline – Accessories

TECE sound insulation mat Drainbase for TECEdrainprofile, TECEdrainline and TECEdrainpoint S, roll

Sound insulation mat for assembly under floating screed in the area of floor-level showers or throughout the bathroom. To reduce plumbing noise and provide impact noise insulation for renovations and new buildings.

Made from recycled high-tensile rubber granules bound with PUR elastomer. Meets enhanced sound insulation requirements for installation noise level according to DIN 4109-5, issued 2020-08 and the highest sound insulation level SSt III according to VDI 4100, issued 2012-10 (sound test verification available on request).

- Form of delivery: 8.0 m x 1.25 m x 6 mm (roll, approx. 50 kg)
- Fire class: B2 (DIN 4102)
- Thermal resistance: 0.05 (m²k)/W
- Compression at 15 t/m²: 0.6 mm
- Impact noise reduction: $\Delta L_w = 20$ dB(A) (for 50 mm screed)



| Item No. | DU 1 |
|----------|------|
| 660002 | 8 m |

TECEdrainline-Evo wall bracket

TECEdrainline-Evo wall bracket for fastening to the protective construction cover of the shower channel.

- For flush or close to the wall installation
- For easy and stable alignment and position fixing during shell installation
- The wall bracket can be dismantled and reused
- Adjustable wall distances of 0-97 mm (from the wall to the hard shell of the shower channel) or 0-117 mm (from the wall to the capillary protection edge)



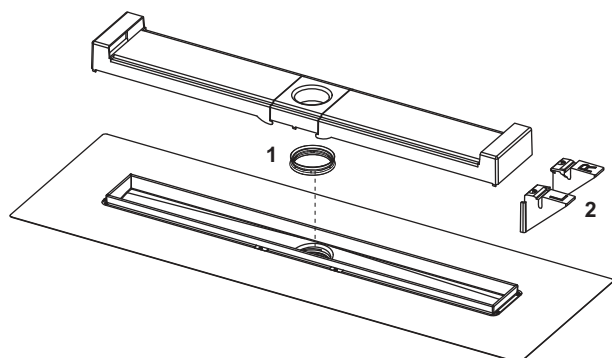
| Item No. | DU 1 | DU 2 |
|----------|-------|--------|
| 660021 | 1 set | 18 set |

TECEdrainline – Spare parts

TECEdrainline-Evo shower channel

TECEdrainline-Evo shower channel with wall tile support

TECEdrainline-Evo shower channel, colour-coated

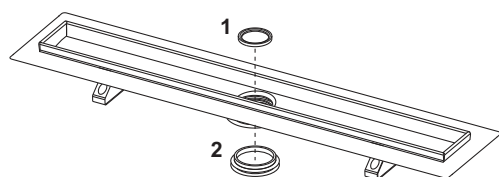


| Pos. | Item No. | Designation | DU 1 |
|------|----------|---------------------|-------|
| 1 | 668033 | Immersion pipe seal | 1 pc. |
| 2 | 668034 | Levelling points | 1 pc. |

TECEdrainline shower channel with Seal System sealing tape

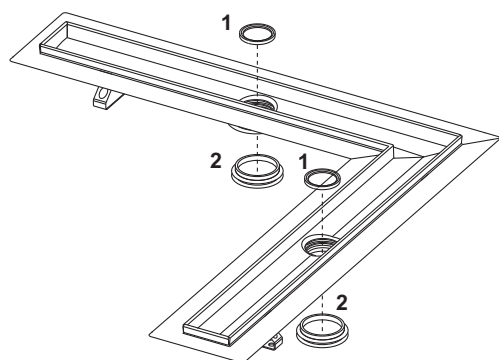
TECEdrainline shower channel with wall upstand and Seal System sealing tape

TECEdrainline shower channel, colour coated, with Seal System sealing tape



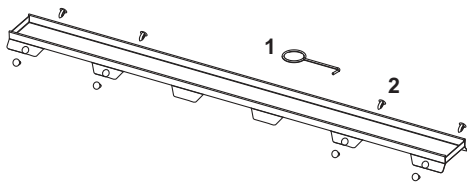
| Pos. | Item No. | Designation | DU 1 |
|------|----------|---|-------|
| 1 | 668012 | Immersion pipe seal | 1 pc. |
| 2 | 668013 | Seal between channel and drain (until 2015) | 1 pc. |

TECEdrainline angled channel with Seal System sealing tape



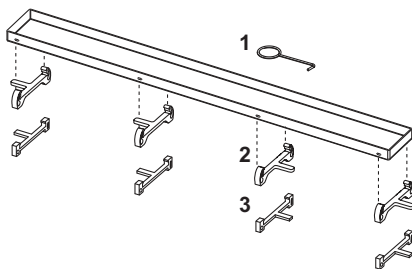
| Pos. | Item No. | Designation | DU 1 |
|------|----------|---|-------|
| 1 | 668012 | Immersion pipe seal | 1 pc. |
| 2 | 668013 | Seal between channel and drain (until 2015) | 1 pc. |

TECEdrainline tileable channel "plate II" stainless steel for shower channel



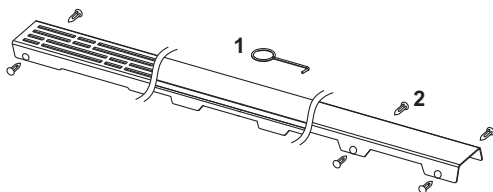
| Pos. | Item No. | Designation | DU 1 |
|------|----------|-------------|--------|
| 1 | 668014 | Lift tool | 1 pc. |
| 2 | 668016 | Spacer clip | 10 pc. |

TECEdrainline tileable channel "plate" stainless steel for shower channel
TECEdrainline tileable channel "plate", for 90° angled channel



| Pos. | Item No. | Designation | DU 1 |
|------|----------|--|-------|
| 1 | 668014 | Lift tool | 1 pc. |
| 2 | 668020 | Hollow feet, grey (from 08/2007) | 1 pc. |
| 3 | 668024 | Hollow feet, stainless steel (until 08/2007) | 1 pc. |

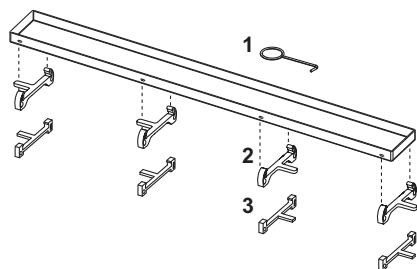
- TECEdrainline glass cover for shower channel, satin finish
- TECEdrainline design cover "steel II" stainless steel for shower channel
- TECEdrainline design grate "basic" stainless steel for shower channel
- TECEdrainline design grate "drops" stainless steel for shower channel
- TECEdrainline design grate "quadratum" stainless steel for shower channel
- TECEdrainline design grate "organic" stainless steel for shower channel
- TECEdrainline design grate "steel II", stainless steel, for 90° angled shower channel
- TECEdrainline design grate "basic", stainless steel, for 90° angled shower channel



| Pos. | Item No. | Designation | DU 1 |
|------|----------|-------------|--------|
| 1 | 668014 | Lift tool | 1 pc. |
| 2 | 668016 | Spacer clip | 10 pc. |

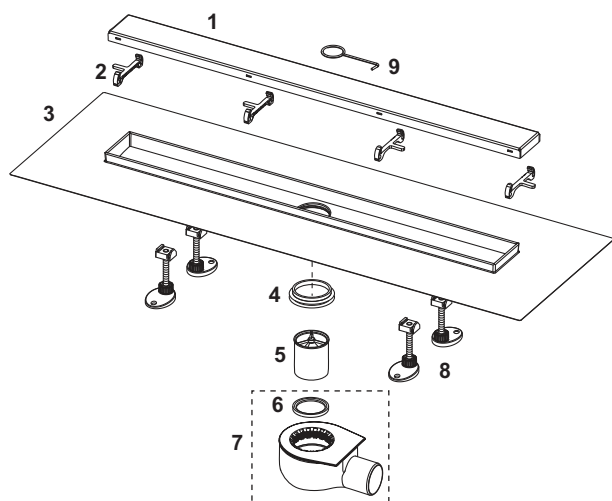
TECEdrainline – Spare parts

TECEdrainline design cover "steel" stainless steel colour-coated for shower channel



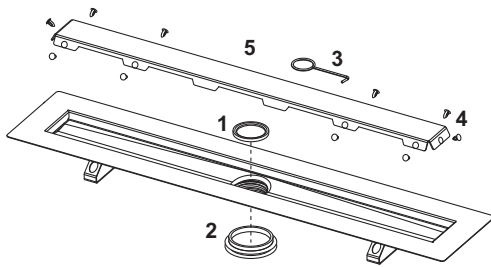
| Pos. | Item No. | Designation | DU 1 |
|------|----------|--|-------|
| 1 | 668014 | Lift tool | 1 pc. |
| 2 | 668039 | Hollow feet, matt black | 1 pc. |
| | 668040 | Hollow feet, matt white | 1 pc. |
| | 668020 | Hollow feet, grey (from 08/2007) | 1 pc. |
| 3 | 668024 | Hollow feet, stainless steel (until 08/2007) | 1 pc. |

TECEdrainline shower channel set with cover "2 in 1"



| Pos. | Item No. | Designation | DU 1 |
|------|----------|---|-------|
| 1 | 15243071 | Cover "2 in 1", 700 mm | 1 pc. |
| | 15243081 | Cover "2 in 1", 800 mm | 1 pc. |
| | 15243091 | Cover "2 in 1", 900 mm | 1 pc. |
| 2 | 668020 | Hollow feet, grey (from 08/2007) | 1 pc. |
| 3 | 668036 | Shower channel, 700 mm with factory fitted sealing collar | 1 pc. |
| | 668037 | Shower channel, 800 mm with factory fitted sealing collar | 1 pc. |
| | 668038 | Shower channel, 900 mm with factory fitted sealing collar | 1 pc. |
| 4 | 668012 | Immersion pipe seal | 1 pc. |
| 5 | 660016 | Membrane odour trap for "flat" drain | 1 pc. |
| 6 | 668032 | Seal between channel and drain with grip claw, from 2015 | 1 pc. |
| 7 | 650000 | Drain "flat" DN 50 side drain | 1 pc. |
| 8 | 660003 | Assembly feet 94-142 mm | 1 set |
| 9 | 668014 | Lift tool | 1 pc. |

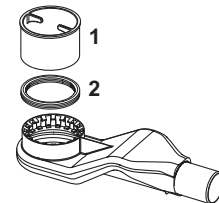
TECEdrainline shower channel for natural stone with Seal System sealing set and stainless steel support as a set



| Pos. | Item No. | Designation | DU 1 |
|------|----------|--|--------|
| 1 | 668012 | Immersion pipe seal | 1 pc. |
| 2 | 668013 | Seal between channel and drain (until 2015) | 1 pc. |
| 3 | 668014 | Lift tool | 1 pc. |
| 4 | 668016 | Spacer clip | 10 pc. |
| 5 | 668026 | Support sheet shower channel natural stone 700 mm | 1 pc. |
| | 668027 | Support sheet shower channel natural stone 800 mm | 1 pc. |
| | 668028 | Support sheet shower channel natural stone 900 mm | 1 pc. |
| | 668029 | Support sheet shower channel natural stone 1000 mm | 1 pc. |
| | 668030 | Support sheet shower channel natural stone 1200 mm | 1 pc. |
| | 668031 | Support sheet shower channel natural stone 1500 mm | 1 pc. |

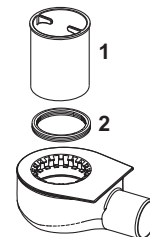
650004 – TECEdrainline drain "extra-flat", DN 40 side drain

| Pos. | Item No. | Designation | DU 1 |
|------|----------|--|-------|
| 1 | 668025 | Immersion tube (H = 25 mm) for extra-flat drain | 1 pc. |
| 2 | 668032 | Seal between channel and drain with grip claw, from 2015 | 1 pc. |



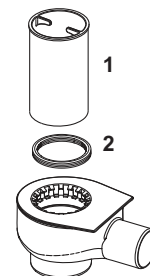
650000 – TECEdrainline drain "flat", DN 50 side drain

| Pos. | Item No. | Designation | DU 1 |
|------|----------|--|-------|
| 1 | 668010 | Immersion tube (H = 49 mm) for outlet flat | 1 pc. |
| 2 | 668032 | Seal between channel and drain with grip claw, from 2015 | 1 pc. |



650001 – TECEdrainline drain "standard", DN 50 side drain

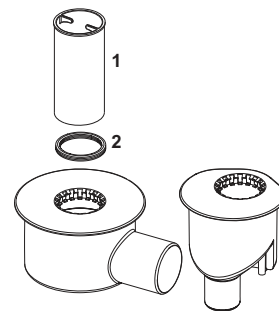
| Pos. | Item No. | Designation | DU 1 |
|------|----------|--|-------|
| 1 | 668011 | Immersion tube (H = 74 mm) for outlet standard | 1 pc. |
| 2 | 668032 | Seal between channel and drain with grip claw, from 2015 | 1 pc. |



TECEDrainline – Spare parts

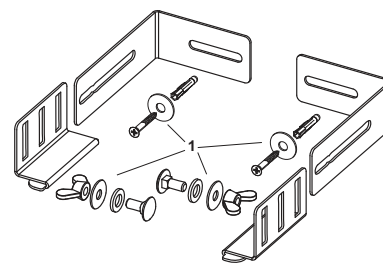
650002 – TECEDrainline drain "max", DN 70 side drain
 650003 – TECEDrainline drain "vertical", DN 50 vertical drain

| Pos. | Item No. | Designation | DU 1 |
|------|----------|--|-------|
| 1 | 668019 | Immersion pipe (H = 94 mm) for outlet max and vertical | 1 pc. |
| 2 | 668032 | Seal between channel and drain with grip claw, from 2015 | 1 pc. |



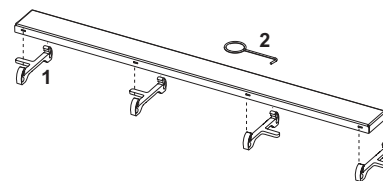
TECEDrainline-Evo wall bracket

| Pos. | Item No. | Designation | DU 1 |
|------|----------|--|-------|
| 1 | 668035 | Screw set for wall bracket TECEDrainline-Evo | 1 pc. |



TECE cover "2 in 1"

| Pos. | Item No. | Designation | DU 1 |
|------|----------|----------------------------------|-------|
| 1 | 668020 | Hollow feet, grey (from 08/2007) | 1 pc. |
| 2 | 668014 | Lift tool | 1 pc. |



TECEDrainline-Evo levelling points

Levelling points (left and right) for clipping and forming a wider screed drip edge for easier levelling.



| Item No. | DU 1 | DU 2 |
|----------|-------|--------|
| 668034 | 1 pc. | 40 pc. |

Drainage Systems

TECEshowerline SHOWER CHANNELS





| | Page |
|----------------------------------|------|
| Shower channel sets | 298 |
| Design covers, tileable channels | 300 |
| Accessories | 301 |
| Spare parts | 302 |

TECEshowerline – Shower channel sets

TECEshowerline shower channel set

Straight stainless steel channel body for installation in the screed, for connection to a vertical drainage line DN 50.

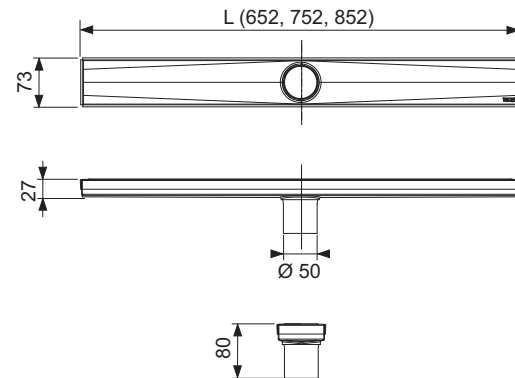
Consisting of:

- Channel body made of polished stainless steel, material 1.4301 (304)
- Reversible cover "2 in 1"
- Central channel support
- Odour trap and vermin barrier (pluggable)
- internal gradient for improved water drainage and self-cleaning effect

Visible width

after installation = 652, 752, ... mm

Width in unfinished state incl. flange = 73 mm



| Nominal length | Total length L | Visible width | | DU 1 |
|----------------|----------------|--------------------|----------|-------|
| | | after installation | Item No. | |
| 700 mm | 652 mm | 652 mm | 15201070 | 1 pc. |
| 800 mm | 752 mm | 752 mm | 15201080 | 1 pc. |
| 900 mm | 852 mm | 852 mm | 15201090 | 1 pc. |

TECEshowerline shower channel for natural stone, straight, with stainless steel support as a set

Straight channel body and support sheet for TECEshowerline shower channel, for installation in the screed, laying by the customer of large tiles/natural stone slabs, with flange for connection to a vertical drainage line DN 50.

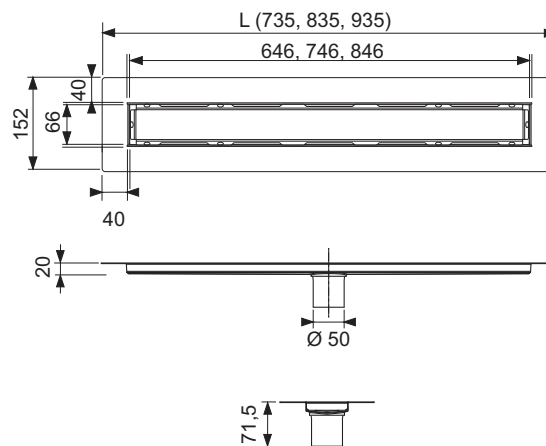
Consisting of:

- Channel body with flange made of polished stainless steel, material 1.4301 (304)
- Central channel support
- Odour trap and vermin barrier (pluggable)
- Internal incline for improved water drainage and self-cleaning effect
- Support sheet made of stainless steel – material 1.4301 (304) – for fitting in the channel body

Visible width

after installation = 626, 726, ... mm

Width in unfinished state incl. flange = 152 mm



| Nominal length | Total length L | Support sheet length L - 89 | Covering cut-out length L - 87 | Visible width after installation | Item No. | DU 1 |
|----------------|----------------|-----------------------------|--------------------------------|----------------------------------|----------|-------|
| 700 mm | 735 mm | 646 mm | 648 mm | 626 mm | 15201072 | 1 pc. |
| 800 mm | 835 mm | 746 mm | 748 mm | 726 mm | 15201082 | 1 pc. |
| 900 mm | 935 mm | 846 mm | 848 mm | 826 mm | 15201092 | 1 pc. |

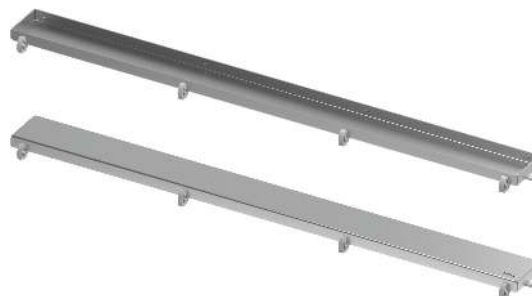
TECEshowerline – Design covers, tileable channels

TECE cover "2 in 1"

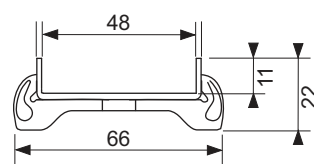
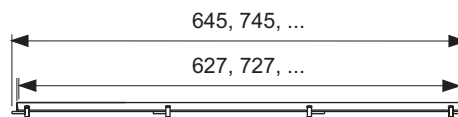
Reversible cover "2 in 1" (brushed stainless steel look or tileable) for fitting into the TECEShowerline channel body, made of stainless steel, durable to load class K3 - maximum test load 300 kg, for use either as brushed stainless steel cover or as tileable channel for attaching tiles on-site using elastic adhesive, e.g. silicon or epoxy resin adhesive.

Caution:

Check the adhesive to ensure tile compatibility!



| Nominal length | Surface | Item No. | DU 1 |
|----------------|---------|----------|-------|
| 700 mm | Brushed | 15243071 | 1 pc. |
| 800 mm | Brushed | 15243081 | 1 pc. |
| 900 mm | Brushed | 15243091 | 1 pc. |



TECEshowerline mechanical odour trap

Mechanical odour trap:

- Shutoff against sewer gases and vermin
- Can be plugged into all TECEshowerline channel bodys
- Drainage capacity > 0.8 l/s (to EN 1253 with 10/20 mm build-up)



| Item No. | DU 1 | DU 2 |
|----------|-------|---------|
| 15221000 | 1 pc. | 150 pc. |

TECE hair trap for shower channels

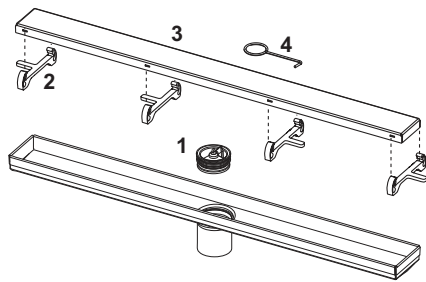
Hair trap made of stainless steel, for fitting into the channel body.



| Item No. | DU 1 | DU 2 |
|----------|-------|--------|
| 660005 | 1 pc. | 10 pc. |

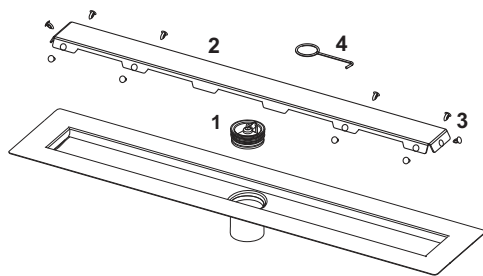
TECEshowerline – Spare parts

TECEshowerline shower channel set



| Pos. | Item No. | Designation | DU 1 |
|------|----------|----------------------------------|-------|
| 1 | 15221000 | Mechanical odour trap | 1 pc. |
| 2 | 668020 | Hollow feet, grey (from 08/2007) | 1 pc. |
| 3 | 15243071 | Cover "2 in 1", 700 mm | 1 pc. |
| | 15243081 | Cover "2 in 1", 800 mm | 1 pc. |
| | 15243091 | Cover "2 in 1", 900 mm | 1 pc. |
| 4 | 668014 | Lift tool | 1 pc. |

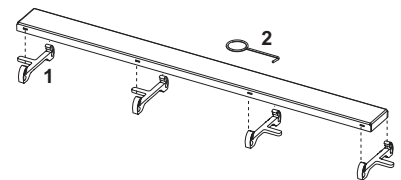
TECEshowerline shower channel for natural stone, straight, with stainless steel support as a set



| Pos. | Item No. | Designation | DU 1 |
|------|----------|---|--------|
| 1 | 15221000 | Mechanical odour trap | 1 pc. |
| 2 | 668026 | Support sheet shower channel natural stone 700 mm | 1 pc. |
| | 668027 | Support sheet shower channel natural stone 800 mm | 1 pc. |
| | 668028 | Support sheet shower channel natural stone 900 mm | 1 pc. |
| 3 | 668016 | Spacer clip | 10 pc. |
| 4 | 668014 | Lift tool | 1 pc. |

TECE cover "2 in 1"

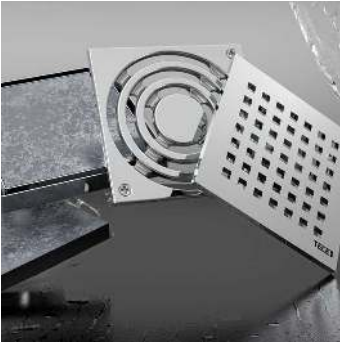
| Pos. | Item No. | Designation | DU 1 |
|------|----------|----------------------------------|-------|
| 1 | 668020 | Hollow feet, grey (from 08/2007) | 1 pc. |
| 2 | 668014 | Lift tool | 1 pc. |



Drainage Systems

TECEdrainpoint S POINT DRAINS





| | Page |
|--------------------------|------|
| Drain sets | 306 |
| Drains | 315 |
| Drain tops | 320 |
| Grates | 325 |
| Accessories | 327 |
| Spare parts | 331 |
| Drainage capacity values | 333 |

An overview of valid Declaration of Performance (DoP) is available on our website www.tece.com.

TECEDrainpoint S – Drain sets

TECEDrainpoint S 50 drain set extra-flat

Drain set TECEDrainpoint S 50 horizontal, extra-flat DN 50.

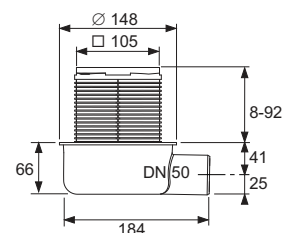
Consisting of:

- Drain body DN 50 horizontal, extra-flat, made of plastic (PP)
- Retaining edge
- With removable odour trap
- Reduced sealing water height = 27 mm
- Drain top with grate frame made of plastic (ABS) and o-ring seal
- TECEDrainpoint S design grate made of drawn stainless steel, material 1.4301 (304), dimensions 100 x 100 mm, polished surface, load class K3 (load bearing capacity up to 300 kg)

Drainage capacity to EN 1253 at 10/20 mm water level over grate:

- With minimum height of the drain top: 0.52/0.61 l/s
- With maximum height of the drain top: 0.69/1.12 l/s

Delivery incl. protective cap, foil for the construction site and assembly instructions.



| Item No. | DU 1 | DU 2 |
|----------|-------|---------|
| 3601050 | 1 pc. | 112 pc. |

TECEDrainpoint S 110 drain set extra-flat with Seal System universal flange*

Floor drain set TECEDrainpoint S 110 horizontal, extra-flat DN 50.

Consisting of:

- Drain body DN 50 horizontal, extra-flat, made of plastic (PP)
- With universal flange for connection of composite seals in accordance with DIN 18534 or clamped flange connections
- With integrated ball joint
- With lateral inflow DN 40 incl. closure plug
- With removable odour trap
- Discharge capacity from 0.62 to 0.98 l/s
- Reduced sealing water height = 27 mm
- Drain top with grate frame made of plastic (ABS) and O-ring seal
- TECEDrainpoint S design grate made of drawn stainless steel, material 1.4301 (304), dimensions 100 x 100 mm, polished surface, load class K3 (load up to 300 kg)

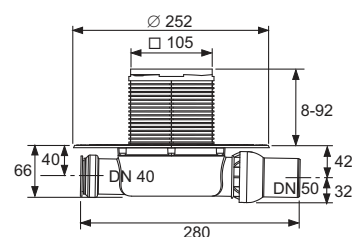
Drainage capacity to EN 1253 at 10/20 mm water level over grate:

- With minimum height of the drain top: 0.52/0.61 l/s
- With maximum height of the drain top: 0.69/1.12 l/s

Delivery incl. protective cap, protective foil for on-site protection during construction, and assembly instructions.

Please order separately – depending on seal type:

- Seal System sealing sleeve for the execution of an independently tested connection to the composite seal
- Compression ring set and cut-to-size sealing foil for clamped flange connections



| Item No. | DU 1 | DU 2 |
|----------|-------|--------|
| 3601100 | 1 pc. | 84 pc. |

TECEdrainpoint S 111 drain set extra-flat with Seal System universal flange, without inlet*

Floor drain set TECEdrainpoint S 111 horizontal, extra-flat DN 50. Fulfils the requirements of EN 1253-6.

Consisting of:

- Plastic drain body DN 50 horizontal, extra-flat, (PP)
- With universal flange to connect composite seals according to DIN 18534 or compression flange connections
- With ball joint
- With removable odour trap
- Reduced sealing water height = 27 mm
- Drain top with grate frame made of plastic (ABS) and O-ring seal
- TECEdrainpoint S design grate made of drawn stainless steel, material 1.4301 (304), dimension 100 x 100 mm, polished surface, load class K3 (load of up to 300 kg)

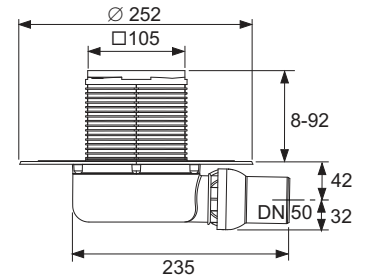
Drainage capacity according to EN 1253 at 10/20 mm water level above grate:

- For drain top minimum height: 0.52/0.61 l/s
- For drain top maximum height: 0.69/1.12 l/s

Delivery includes protective cap for construction, protective foil for construction, and assembly instructions.

Please order separately – depending on seal type:

- Seal System sealing collar to create an independently tested connection to the composite seal
- Compression ring set and cut-to-size sealing foil for compression flange connections



| Item No. | DU 1 | DU 2 |
|----------|-------|--------|
| 3601105 | 1 pc. | 84 pc. |

TECEdrainpoint S – Drain sets

TECEdrainpoint S 112 drain set extra-flat with Seal System universal flange and stainless steel grate frame*

Floor drain set TECEdrainpoint S 112 horizontal, extra-flat DN 50, stainless steel grate frame with stainless steel grate and two-stage membrane odour trap.

Consisting of:

- Drain body DN 50 horizontal, extra-flat, made of plastic (PP)
- With universal flange for connection of composite seals in accordance with DIN 18534 or clamped flange connections
- With integrated ball joint
- With lateral inflow DN 40 incl. closure plug
- With removable 2-stage membrane odour trap
- 20 mm sealing water and additional sealing lip membrane
- Drain top with grate frame made of plastic (ABS) and O-ring seal
- Grate frame made of drawn stainless steel, material 1.4301 (304), for grate dimensions 100 x 100 mm
- TECEdrainpoint S design grate made of drawn stainless steel, material 1.4301 (304), dimensions 100 x 100 mm, polished surface, load class K3 (load up to 300 kg)

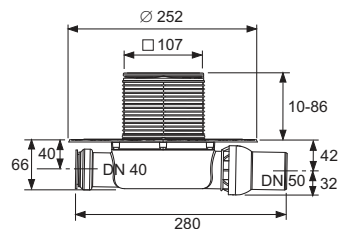
Drainage capacity to EN 1253 at 10/20 mm water level over grate:

- With minimum height of the drain top: 0.51/0.61 l/s
- With maximum height of the drain top: 0.56/1.23 l/s

Delivery incl. protective cap, protective foil for on-site protection during construction, and assembly instructions.

Please order separately – depending on seal type:

- Seal System sealing sleeve for the execution of an independently tested connection to the composite seal
- Compression ring set and cut-to-size sealing foil for clamped flange connections



| Item No. | DU 1 | DU 2 |
|----------|-------|--------|
| 3601102 | 1 pc. | 84 pc. |

TECEdrainpoint S 113 drain set extra-flat with Seal System universal flange and stainless steel grate frame, without inlet*

Floor drain set TECEdrainpoint S 113 horizontal, extra-flat DN 50, stainless steel grate frame with stainless special steel grate. Fulfils the requirements of EN 1253-6.

Consisting of:

- Plastic drain body DN 50 horizontal, extra-flat, (PP)
- With universal flange to connect composite seals according to DIN 18534 or compression flange connections
- With ball joint
- With removable odour trap
- Reduced sealing water height = 27 mm
- Drain top made of plastic (ABS) and O-ring seal
- Grate frame made of drawn stainless steel, material 1.4301 (304) for grate dimensions 100 x 100 mm
- TECEdrainpoint S design grate made of drawn stainless steel, material 1.4301 (304), dimension 100 x 100 mm, polished surface, load class K3 (load of up to 300 kg)

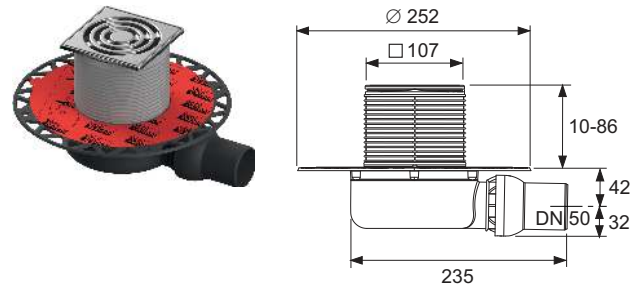
Drainage capacity according to EN 1253 at 10/20 mm water level above grate:

- For drain top minimum height: 0.51/0.61 l/s
- For drain top maximum height: 0.56/1.23 l/s

Delivery includes protective cap for construction, protective foil for construction, and assembly instructions.

Please order separately – depending on seal type:

- Seal System sealing collar to create an independently tested connection to the composite seal
- Compression ring set and cut-to-size sealing foil for compression flange connections



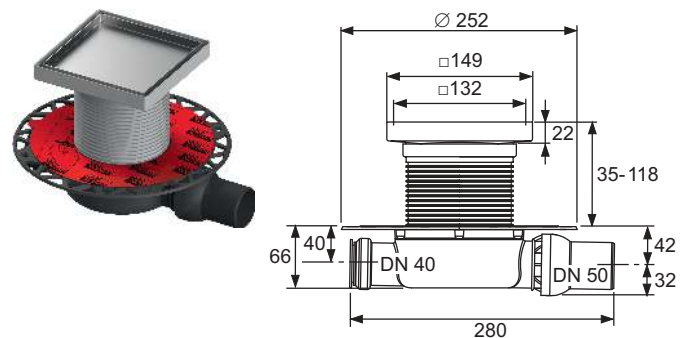
| Item No. | DU 1 | DU 2 |
|----------|-------|--------|
| 3601106 | 1 pc. | 84 pc. |

TECEdrainpoint S 116 drain set extra flat with Seal System universal flange, tileable channel "plate" 150 mm* NEW

Floor drain set TECEdrainpoint S 116 horizontal, super-flat DN 50, stainless steel grate frame and tileable channel "plate" 142 x 142 mm.

Consisting of:

- Plastic drain body DN 50 horizontal, extra-flat, (PP)
- With universal flange to connect composite seals according to DIN 18534 or compression flange connections
- With ball joint
- With lateral inflow DN 40 including closure plug
- With removable odour trap
- Reduced sealing water height = 27 mm
- Drain top made of plastic (ABS) and O-ring seal
- Grate frame made of drawn stainless steel, material 1.4301 (304)
- "Plate" stainless steel tileable channel, dimensions 142 x 142 mm, polished surface, load class K3 (load up to 300 kg)
- Tileable insert internal height = 10.5 mm
- Height adjustment when creating a composite sealing: 22 mm (without drain top) and 35-118 mm (with drain top), dimensions apply from upper edge of universal flange to upper edge of grate frame



| Item No. | | DU 1 | DU 2 |
|----------|-----|-------|--------|
| 3601108 | NEW | 1 pc. | 84 pc. |

TECEdrainpoint S – Drain sets

TECEdrainpoint S 120 drain set standard with Seal System universal flange*

Floor drain set TECEdrainpoint S 120 horizontal, standard DN 50. Fulfils the requirements of EN 1253-1.

Consisting of:

- Plastic drain body DN 50 horizontal, standard, (PP)
- With universal flange to connect composite seals according to DIN 18534 or compression flange connections
- With ball joint
- With lateral inflow DN 40 including closure plug
- With removable odour trap
- Sealing water height = 50 mm
- Drain top with grate frame made of plastic (ABS) and O-ring seal
- TECEdrainpoint S design grate made of drawn stainless steel, material 1.4301 (304), dimension 100 x 100 mm, polished surface, load class K3 (load of up to 300 kg)

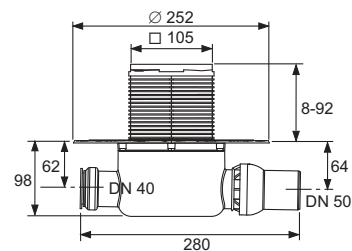
Drainage capacity according to EN 1253 at 10/20 mm water level above grate:

- For drain top minimum height: 0.52/0.89 l/s
- For drain top maximum height: 0.64/1.35 l/s

Delivery includes protective cap for construction, protective foil for construction, and assembly instructions.

Please order separately – depending on seal type:

- Seal System sealing sleeve for the execution of an independently tested connection to the composite seal
- Compression ring set and cut-to-size sealing foil for clamped flange connections



| Item No. | DU 1 | DU 2 |
|----------|-------|--------|
| 3601200 | 1 pc. | 84 pc. |

TECEdrainpoint S 122 drain set standard with Seal System universal flange and stainless steel grate frame*

Floor drain set TECEdrainpoint S 122 horizontal, DN 50, stainless steel grate frame with stainless steel grate and 2-stage membrane odour trap.

Consisting of:

- Drain body DN 50 horizontal, made of plastic (PP)
- With universal flange for connection of composite seals in accordance with DIN 18534 or clamped flange connections
- With integrated ball joint
- With lateral inflow DN 40 incl. closure plug
- With removable 2-stage membrane odour trap
- 50 mm sealing water and additional sealing lip membrane
- Drain top with grate frame made of plastic (ABS) and O-ring seal
- Grate frame made of drawn stainless steel, material 1.4301 (304), for grate dimensions 100 x 100 mm
- TECEdrainpoint S design grate made of drawn stainless steel, material 1.4301 (304), dimensions 100 x 100 mm, polished surface, load class K3 (load up to 300 kg)

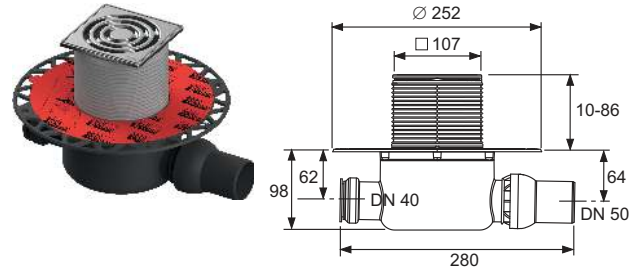
Drainage capacity to EN 1253 at 10/20 mm water level over grate:

- With minimum height of the drain top: 0.54/0.85 l/s
- With maximum height of the drain top: 0.71/1.35 l/s

Delivery incl. protective cap, protective foil for on-site protection during construction, and assembly instructions.

Please order separately – depending on seal type:

- Seal System sealing sleeve for the execution of an independently tested connection to the composite seal
- Compression ring set and cut-to-size sealing foil for clamped flange connections



| Item No. | DU 1 | DU 2 |
|----------|-------|--------|
| 3601202 | 1 pc. | 84 pc. |

TECEDrainpoint S – Drain sets

TECEDrainpoint S 130 drain set vertical with Seal System universal flange*

Floor drain set TECEDrainpoint S 130 vertical, DN 50. Fulfils the requirements of EN 1253-1.

Consisting of:

- Drain body DN 50 vertical, made of plastic (PP)
- With universal flange to connect composite seals according to DIN 18534 or compression flange connections
- With removable odour trap
- Sealing water height = 50 mm
- Drain top with grate frame made of plastic (ABS) and O-ring seal
- TECEDrainpoint S design grate made of drawn stainless steel, material 1.4301 (304), dimension 100 x 100 mm, polished surface, load class K3 (load of up to 300 kg)

Drainage capacity according to EN 1253 at 10/20 mm water level above grate:

- For drain top minimum height: 0.64/1.36 l/s
- For drain top maximum height: 0.70/1.56 l/s

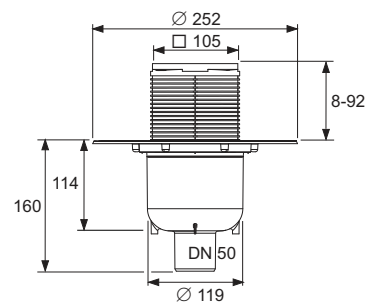
Delivery includes protective cap for construction, protective foil for construction, and assembly instructions.

Required core drill hole:

Diameter 120 mm

Please order separately – depending on seal type:

- Seal System sealing sleeve for the execution of an independently tested connection to the composite seal
- Compression ring set and cut-to-size sealing foil for clamped flange connections



| Item No. | DU 1 | DU 2 |
|----------|-------|--------|
| 3601300 | 1 pc. | 60 pc. |

TECEdrainpoint S 114 drain set extra-flat with factory-fitted Seal System sealing sleeve*

Floor drain set TECEdrainpoint S 114 horizontal, extra-flat DN 50, with sound-insulated assembly element, drain top with plastic grate frame and factory-fitted Seal System sealing collar.

Consisting of:

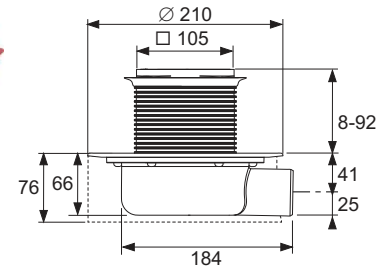
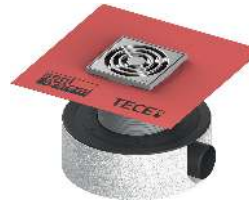
- Drain body DN 50 horizontal super flat made of plastic (PP), with compression flange for connection of sealing foils made of plastic or elastomers
- Reduced sealing water height = 27 mm
- With removable 2-stage membrane odour trap
- Assembly element with fasteners for sound-insulated installation on the bare concrete ceiling
- Drain top with grate frame made of plastic (ABS) with factory-fastened sealing collar with Seal System for connection of composite seals in accordance with DIN 18534
- TECEdrainpoint S design grate made of drawn stainless steel, material 1.4301 (304), dimensions 100 x 100 mm, polished surface, load class K3 (loadable up to 300 kg)
- Shuttering element made of EPS as placeholder for the drain top for use during the creation of the screed.
- For floor coverings from 8 to 25 mm (incl. adhesive bed)

Drainage capacity according to EN 1253 at 10/20 mm accumulation height above grate:

- at minimum height of drain top: 0.47/0.54 l/s
- for maximum drain top height: 0.65/0.88 l/s

Please order separately:

- Compression ring set and cut-to-size sealing foil for adhesive flange connections (optional)



| Item No. | DU 1 | DU 2 |
|----------|-------|--------|
| 3601104 | 1 pc. | 24 pc. |

TECEDrainpoint S – Drain sets

TECEDrainpoint S 115 drain set extra-flat with factory-fitted Seal System sealing collar and water odour trap*

Floor drain set TECEDrainpoint S 115 horizontal, super flat DN 50, with sound-insulating assembly element, drain top with plastic grate frame and factory-attached Seal System sealing collar.

Consisting of:

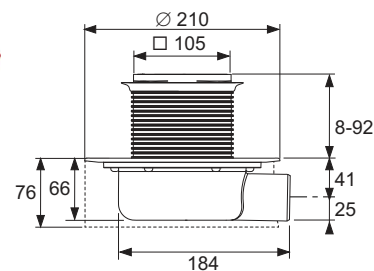
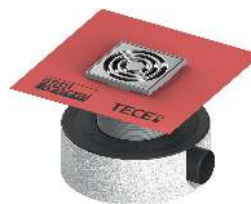
- Drain body DN 50 horizontal super flat made of plastic (PP), with compression flange for connection of sealing foils made of plastic or elastomers
- Reduced sealing water height = 27 mm
- With removable odour trap
- Assembly element with fasteners for sound-insulated installation on the bare concrete ceiling
- Drain top with grate frame made of plastic (ABS) with factory-fastened sealing collar with Seal System for connection of composite seals in accordance with DIN 18534
- TECEDrainpoint S design grate made of drawn stainless steel, material 1.4301 (304), dimensions 100 x 100 mm, polished surface, load class K3 (loadable up to 300 kg)
- Shuttering element made of EPS as placeholder for the drain top for use during the creation of the screed.
- For floor coverings from 8 to 25 mm (incl. adhesive bed)

Drainage capacity according to EN 1253 at 10/20 mm accumulation height above grate:

- at minimum height of drain top: 0.52/0.61 l/s
- for maximum drain top height: 0.69/1.12 l/s

Please order separately:

- Compression ring set and cut-to-size sealing foil to create compression flange connections (optional)



| Item No. | DU 1 | DU 2 |
|----------|-------|--------|
| 3601107 | 1 pc. | 24 pc. |

TECEdrainpoint S drain DN 50 extra-flat with Seal System universal flange*

Floor drain set TECEdrainpoint S DN 50 horizontal, extra-flat, made of plastic (PP).

- With universal flange to connect composite seals according to DIN 18534 or clamping flange connections
- With ball joint
- With lateral inflow DN 40 including closure plug
- With removable odour trap
- Reduced sealing water height = 27 mm

Drainage capacity according to EN 1253 at 10/20 mm water level above grate:

- With minimum height of the drain top: 0.52/0.61 l/s
- With maximum height of the drain top: 0.69/1.12 l/s

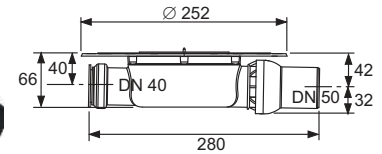
Delivery includes protective cap and protective foil for on-site protection during construction and assembly instructions.

Please order separately – depending on seal type:

- Seal System sealing sleeve for the execution of an independently tested connection to the composite seal
- Compression ring set and cut-to-size sealing foil for clamped flange connections

Note:

Drainage capacity values measured with drain top and design grate 100 mm (Item No. 3660001), for further drain capacity values see the relevant chapter.



| Item No. | DU 1 | DU 2 |
|----------|-------|---------|
| 3601400 | 1 pc. | 120 pc. |

TECEdrainpoint S drain DN 50 extra-flat with Seal System universal flange, without inlet*

Floor drain set TECEdrainpoint S DN 50 horizontal, extra-flat, made of plastic (PP). Fulfils the requirements of EN 1253-6.

- With universal flange to connect composite seals according to DIN 18534 or compression flange connections
- With ball joint
- With removable odour trap
- Reduced sealing water height = 27 mm

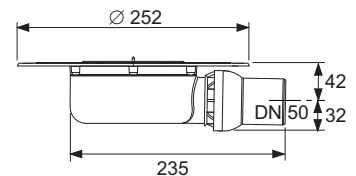
Drainage capacity according to EN 1253 at 10/20 mm water level above grate:

- For drain top minimum height: 0.52/0.61 l/s
- For drain top maximum height: 0.69/1.12 l/s

Delivery includes protective cap for construction, protective foil for construction, and assembly instructions.

Please order separately – depending on seal type:

- Seal System sealing collar to create an independently tested connection to the composite seal
- Compression ring set and cut-to-size sealing foil for compression flange connections



| Item No. | DU 1 | DU 2 |
|----------|-------|---------|
| 3601404 | 1 pc. | 120 pc. |

TECEdrainpoint S – Drains

TECEdrainpoint S drain DN 50 terrace with Seal System universal flange*

Floor drain TECEdrainpoint S DN 50 as terrace or balcony drain, horizontal, extra-flat, made of plastic (PP).

- With universal flange for connection of composite seals in accordance with DIN 18534 or clamped flange connections
- Without odour trap

Drainage capacity to EN 1253 at 10/20 mm water level over grate:

- With minimum height of the drain top: 0.66/1.22 l/s
- With maximum height of the drain top: 0.50/1.51 l/s

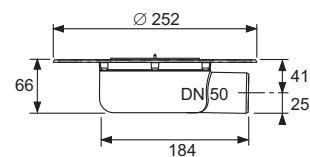
Delivery incl. protective cap, protective foil for on-site protection during construction, and assembly instructions.

Please order separately – depending on seal type:

- Seal System sealing sleeve for the execution of a tested and certified connection to the composite seal
- Compression ring set and cut-to-size sealing foil for clamped flange connections

Note:

Drainage capacity values measured with drain top and design grate 100 mm (Item No. 3660001), for further drain capacity values see the relevant chapter.



| Item No. | DU 1 | DU 2 |
|----------|-------|---------|
| 3601401 | 1 pc. | 120 pc. |

TECEdrainpoint S drain DN 50 standard with Seal System universal flange*

Floor drain set TECEdrainpoint S DN 50 horizontal, standard, made of plastic (PP). Fulfills the requirements of EN 1253-1.

- With universal flange to connect composite seals according to DIN 18534 or compression flange connections
- With ball joint
- With lateral inflow DN 40 including closure plug
- With removable odour trap
- Sealing water height = 50 mm

Drainage capacity according to EN 1253 at 10/20 mm water level above grate:

- For drain top minimum height: 0.52/0.89 l/s
- For drain top maximum height: 0.64/1.35 l/s

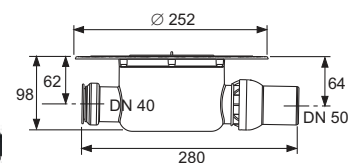
Delivery includes protective cap for construction, protective foil for construction, and assembly instructions.

Please order separately – depending on seal type:

- Seal System sealing sleeve for the execution of a tested and certified connection to the composite seal
- Compression ring set and cut-to-size sealing foil for clamped flange connections

Note:

Drainage capacity values measured with drain top and design grate 100 mm (Item No. 3660001), for further drain capacity values see the relevant chapter.



| Item No. | DU 1 | DU 2 |
|----------|-------|--------|
| 3601500 | 1 pc. | 72 pc. |

TECEdrainpoint S drain DN 50 vertical with Seal System universal flange*

Floor drain set TECEdrainpoint S DN 50 vertical, made of plastic (PP). Fulfills the requirements of EN 1253-1.

- With universal flange to connect composite seals according to DIN 18534 or compression flange connections
- With removable odour trap
- Sealing water height = 50 mm

Drainage capacity according to EN 1253 at 10/20 mm water level above grate:

- For drain top minimum height: 0.64/1.36 l/s
- For drain top maximum height: 0.70/1.56 l/s

Delivery includes protective cap for construction, protective foil for construction, and assembly instructions.

Required core drill hole:

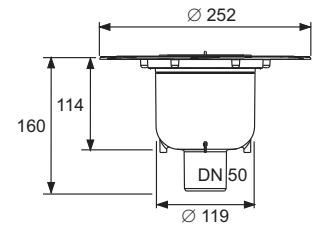
Diameter 120 mm

Please order separately – depending on seal type:

- Seal System sealing sleeve for the execution of a tested and certified connection to the composite seal
- Compression ring set and cut-to-size sealing foil for clamped flange connections

Note:

Drainage capacity values measured with drain top and design grate 100 mm (Item No. 3660001), for further drain capacity values see the relevant chapter.



| Item No. | DU 1 | DU 2 |
|----------|-------|--------|
| 3601600 | 1 pc. | 48 pc. |

TECEdrainpoint S drain DN 70 with Seal System universal flange*

Floor drain set TECEdrainpoint S DN 70 horizontal, made of plastic (PP). Fulfills the requirements of EN 1253-1.

- With universal flange to connect composite seals according to DIN 18534 or compression flange connections
- With lateral inflow DN 50 including closure plug
- With removable odour trap
- Sealing water height = 50 mm

Drainage capacity according to EN 1253 at 10/20 mm water level above grate:

- For drain top minimum height: 0.62/1.22 l/s
- For drain top maximum height: 0.87/1.74 l/s

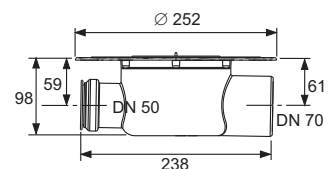
Delivery includes protective cap for construction, protective foil for construction, and assembly instructions.

Please order separately – depending on seal type:

- Seal System sealing sleeve for the execution of a tested and certified connection to the composite seal
- Compression ring set and cut-to-size sealing foil for clamped flange connections

Note:

Drainage capacity values measured with drain top and design grate 150 mm (Item No. 3660003), for further drain capacity values see the relevant chapter.



| Item No. | DU 1 | DU 2 |
|----------|-------|--------|
| 3603500 | 1 pc. | 72 pc. |

TECEdrainpoint S – Drains

TECEdrainpoint S drain DN 70 vertical with Seal System universal flange*

Floor drain set TECEdrainpoint S DN 70 vertical, made of plastic (PP). Fulfills the requirements of EN 1253-1.

- With universal flange to connect composite seals according to DIN 18534 or compression flange connections
- With removable odour trap
- Sealing water height = 50 mm

Drainage capacity according to EN 1253 at 10/20 mm water level above grate:

- For drain top minimum height: 0.47/1.81 l/s
- For drain top maximum height: 0.63/1.84 l/s

Delivery includes protective cap for construction, protective foil for construction, and assembly instructions.

Required core drill hole:

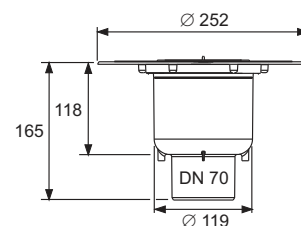
Diameter 122 mm

Please order separately – depending on seal type:

- Seal System sealing sleeve for the execution of a tested and certified connection to the composite seal
- Compression ring set and cut-to-size sealing foil for clamped flange connections

Note:

Drainage capacity values measured with drain top and design grate 150 mm (Item No. 3660003), for further drain capacity values see the relevant chapter.



| Item No. | DU 1 | DU 2 |
|----------|-------|--------|
| 3603600 | 1 pc. | 48 pc. |

TECEdrainpoint S drain DN 100 with Seal System universal flange*

Floor drain set TECEdrainpoint S DN 100 horizontal, made of plastic (PP). Fulfills the requirements of EN 1253-1.

- With universal flange to connect composite seals according to DIN 18534 or compression flange connections
- With lateral inflow DN 50 including closure plug
- With removable odour trap
- Sealing water height = 50 mm

Drainage capacity according to EN 1253 at 10/20 mm water level above grate:

- For drain top minimum height: 0.90/1.61 l/s
- For drain top maximum height: 0.86/2.03 l/s

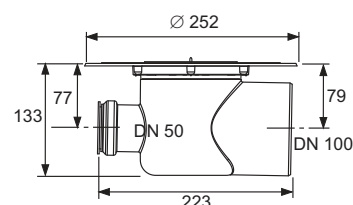
Delivery includes protective cap for construction, protective foil for construction, and assembly instructions.

Please order separately – depending on seal type:

- Seal System sealing sleeve for the execution of a tested and certified connection to the composite seal
- Compression ring set and cut-to-size sealing foil for clamped flange connections

Note:

Drainage capacity values measured with drain top and design grate 150 mm (Item No. 3660003), for further drain capacity values see the relevant chapter.



| Item No. | DU 1 | DU 2 |
|----------|-------|--------|
| 3607500 | 1 pc. | 81 pc. |

TECEdrainpoint S drain DN 100 vertical with Seal System universal flange*

Floor drain set TECEdrainpoint S DN 100 vertical, made of plastic (PP). Fulfills the requirements of EN 1253-1.

- With universal flange to connect composite seals according to DIN 18534 or compression flange connections
- With removable odour trap
- Sealing water height = 50 mm

Drainage capacity according to EN 1253 at 10/20 mm water level above grate:

- For drain top minimum height: 0.76/1.42 l/s
- For drain top maximum height: 0.80/2.10 l/s

Delivery includes protective cap for construction, protective foil for construction, and assembly instructions.

Required core drill hole:

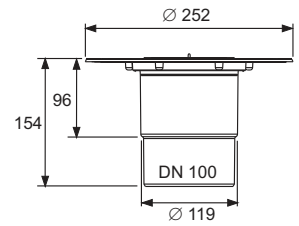
Diameter 132 mm

Please order separately – depending on seal type:

- Seal System sealing sleeve for the execution of an independently tested connection to the composite seal
- Compression ring set and cut-to-size sealing foil for clamped flange connections

Note:

Drainage capacity values measured with drain top and design grate 150 mm (Item No. 3660003), for further drain capacity values see the relevant chapter.



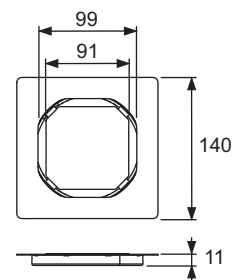
| Item No. | DU 1 | DU 2 |
|----------|-------|--------|
| 3607600 | 1 pc. | 48 pc. |

TECEDrainpoint S – Drain tops

TECEDrainpoint S grate frame stainless steel, 100 mm, frameless tile base

Set consisting of tileable drain top and tileable frameless base, 100 x 100 mm made of stainless steel.

- Outer diameter = 110 mm
- Height = 1 mm (suitable for all tile/natural stone thicknesses)
- Grate frame made of drawn stainless steel material 1.4301 (304)
- Frameless tile base made of stainless steel, material 1.4301 (304), dimensions 91 x 91 mm, polished surface, load class K3 (load up to 300 kg)

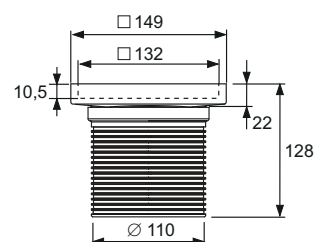


| Item No. | DU 1 |
|----------|-------|
| 3660016 | 1 pc. |

TECEDrainpoint S grate frame stainless steel, 150 mm, design "plate"

Set consisting of drain top with stainless steel grate frame and tileable channel "plate", 142 x 142 mm.

- Plastic drain top (ABS)
- O-ring seal
- Outer diameter = 110 mm
- Height adjustment when creating a composite sealing: 22 mm (without drain top) and 35-118 mm (with drain top); dimensions apply from the upper edge of the universal flange to the upper edge of the grate frame
- Tileable insert internal height = 10.5 mm
- Grate frame made of drawn stainless steel, material 1.4301 (304)
- Plate stainless steel tileable channel, material 1.4301 (304), dimension 142 x 142 mm, polished surface, load class K3 (load of up to 300 kg)

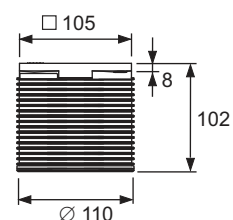


| Item No. | DU 1 |
|----------|-------|
| 3660011 | 1 pc. |

TECEDrainpoint S grate frame plastic, 100 mm, incl. design grate

Set consisting of drain top with grate frame (plastic) and TECEDrainpoint S design grate 100 x 100 mm.

- Drain top with grate frame made of plastic (ABS)
- O-ring seal
- Outer diameter = 110 mm
- Height adjustment = 8-92 mm
- TECEDrainpoint S design grate made of drawn stainless steel, material 1.4301 (304), dimensions 100 x 100 mm, polished surface, load class K3 (load up to 300 kg)

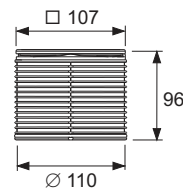


| Item No. | DU 1 |
|----------|-------|
| 3660001 | 1 pc. |

TECEdrainpoint S grate frame stainless steel, 100 mm, incl. design grate

Set consisting of drain top with grate frame (stainless steel) and TECEdrainpoint S design grate 100 x 100 mm.

- Drain top made of plastic (ABS)
- O-ring seal
- Outer diameter = 110 mm
- Height adjustment = 10-86 mm
- Grate frame made of drawn stainless steel, material 1.4301 (304)
- TECEdrainpoint S design grate made of drawn stainless steel, material 1.4301 (304), dimensions 100 x 100 mm, polished surface, load class K3 (load up to 300 kg)

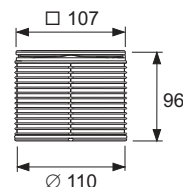


| Item No. | DU 1 |
|----------|-------|
| 3660002 | 1 pc. |

TECEdrainpoint S grate frame stainless steel, 100 mm, incl. design grate, screw-down

Set consisting of drain top with grate frame (stainless steel) and TECEdrainpoint S design grate 100 x 100 mm.

- Drain top made of plastic (ABS)
- O-ring seal
- Outer diameter = 110 mm
- Height adjustment = 10-86 mm
- Grate frame made of drawn stainless steel, material 1.4301 (304)
- TECEdrainpoint S design grate made of drawn stainless steel, material 1.4301 (304), dimensions 100 x 100 mm, polished surface, load class K3 (load up to 300 kg)
- Two stainless steel countersunk screws

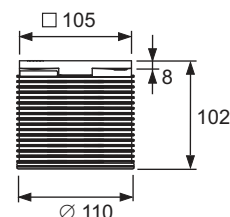


| Item No. | DU 1 |
|----------|-------|
| 3660009 | 1 pc. |

TECEdrainpoint S grate frame plastic, 100 mm, incl. design grate, with factory fitted Seal System sealing sleeve*

Drain top with grate frame made of plastic and factory-fitted Seal System sealing sleeve, for establishing a DIN 18534-compliant connection to the composite seal and TECEdrainpoint S design grate 100 x 100 mm.

- Drain top with grate frame made of plastic (ABS)
- O-ring seal
- Factory-fitted sealing sleeve with Seal System
- Outer diameter = 110 mm
- Height adjustment = 10-92 mm
- TECEdrainpoint S design grate made of drawn stainless steel, material 1.4301 (304), dimensions 100 x 100 mm, polished surface, load class K3 (load-bearing capacity up to 300 kg)
- Formwork element made of EPS as placeholder for the drain top to use when laying the screed
- For floor coverings from 8 to 25 mm (incl. glue bed)



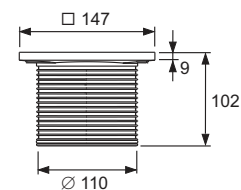
| Item No. | DU 1 |
|----------|-------|
| 3660020 | 1 pc. |

TECEDrainpoint S – Drain tops

TECEDrainpoint S grate frame plastic, 150 mm, incl. design grate

Set consisting of drain top with grate frame (plastic) and TECEDrainpoint S design grate 142 x 142 mm.

- Drain top with grate frame made of plastic (ABS)
- O-ring seal
- Outer diameter = 110 mm
- Height adjustment = 12-92 mm
- TECEDrainpoint S design grate made of drawn stainless steel, material 1.4301 (304), dimensions 142 x 142 mm, polished surface, load class K3 (load up to 300 kg)

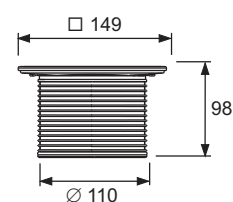


| Item No. | DU 1 |
|----------|-------|
| 3660003 | 1 pc. |

TECEDrainpoint S grate frame stainless steel, 150 mm, incl. design grate

Set consisting of drain top with grate frame (stainless steel) and TECEDrainpoint S design grate 142 x 142 mm.

- Drain top made of plastic (ABS)
- O-ring seal
- Outer diameter = 110 mm
- Height adjustment = 12-88 mm
- Grate frame made of drawn stainless steel, material 1.4301 (304)
- TECEDrainpoint S design grate made of drawn stainless steel, material 1.4301 (304), dimensions 142 x 142 mm, polished surface, load class K3 (load up to 300 kg)

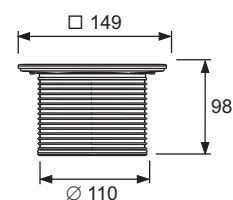


| Item No. | DU 1 |
|----------|-------|
| 3660004 | 1 pc. |

TECEDrainpoint S grate frame stainless steel, 150 mm, incl. design grate, screw-down

Set consisting of drain top with grate frame (stainless steel) and TECEDrainpoint S design grate 142 x 142 mm.

- Drain top made of plastic (ABS)
- O-ring seal
- Outer diameter = 110 mm
- Height adjustment = 12-88 mm
- Grate frame made of drawn stainless steel, material 1.4301 (304)
- TECEDrainpoint S design grate made of drawn stainless steel, material 1.4301 (304), dimensions 142 x 142 mm, polished surface, load class K3 (load up to 300 kg)
- Two stainless steel countersunk screws

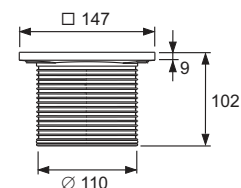


| Item No. | DU 1 |
|----------|-------|
| 3660010 | 1 pc. |

TECEDrainpoint S grate frame plastic, 150 mm, incl. design grate, with factory fitted Seal System sealing sleeve*

Drain top with grate frame made of plastic and factory-fitted Seal System sealing sleeve, for establishing a DIN 18534-compliant connection to the composite seal and TECEDrainpoint S design grate 142 x 142 mm.

- Drain top with grate frame made of plastic (ABS)
- O-ring seal
- Factory-fitted sealing sleeve with Seal System
- Outer diameter = 110 mm
- Height adjustment = 12-92 mm
- TECEDrainpoint S design grate made of drawn stainless steel, material 1.4301 (304), dimensions 142 x 142 mm, polished surface, load class K3 (load-bearing capacity up to 300 kg)
- Formwork element made of EPS as placeholder for the drain top to use when laying the screed
- For floor coverings from 8 to 25 mm (incl. glue bed)

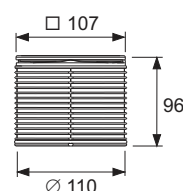


| Item No. | DU 1 |
|----------|-------|
| 3660021 | 1 pc. |

TECEDrainpoint S grate frame stainless steel, 100 mm, incl. design grate "quadratum"

Set drain top with stainless steel grate frame and "quadratum" design grate 100 x 100 mm.

- Drain top made of plastic (ABS)
- O-ring seal
- Outer diameter = 110 mm
- Height adjustment = 10-86 mm
- Grate frame made of drawn stainless steel, material 1.4301 (304)
- Design grate "quadratum" made of stainless steel, material 1.4301 (304), dimensions 100 x 100 mm, polished surface, load class L 15 (load up to 1500 kg)
- Slip resistance evaluation group B for wet loaded barefoot areas, according to DIN 51097

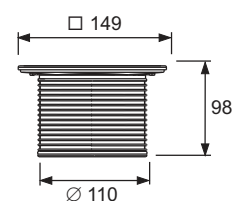


| Item No. | DU 1 |
|----------|-------|
| 3660007 | 1 pc. |

TECEDrainpoint S grate frame stainless steel, 150 mm, incl. design grate "quadratum"

Set drain top with stainless steel grate frame and "quadratum" design grate 142 x 142 mm.

- Drain top made of plastic (ABS)
- O-ring seal
- Outer diameter = 110 mm
- Height adjustment = 12-88 mm
- Grate frame made of drawn stainless steel, material 1.4301 (304)
- Design grate "quadratum" made of stainless steel, material 1.4301 (304), dimensions 142 x 142 mm, polished surface, load class L 15 (load up to 1500 kg)
- Slip resistance evaluation group B for wet loaded barefoot areas, according to DIN 51097



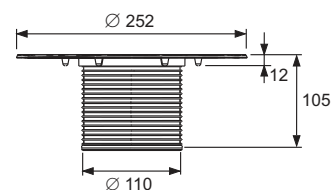
| Item No. | DU 1 |
|----------|-------|
| 3660008 | 1 pc. |

TECEDrainpoint S – Drain tops

TECEDrainpoint S raising element with Seal System universal flange*

Drain top made of plastic with universal flange made of plastic (PP) for composite or clamped flange seals.

- With universal flange to connect composite seals according to DIN 18534 or adhesive flange connections
- Incl. O-ring seal
- Outer diameter = 110 mm
- Height adjustment = 12-95 mm



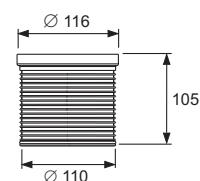
| | |
|----------|-------|
| Item No. | DU 1 |
| 3660005 | 1 pc. |



TECEDrainpoint S extension

Drain top extension made of plastic (ABS).

- With O-ring seal
- Outer diameter = 110 mm
- Height adjustment = 14-95 mm

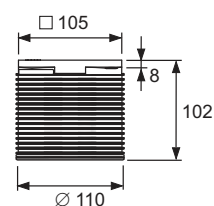


| | |
|----------|-------|
| Item No. | DU 1 |
| 3660006 | 1 pc. |

TECEDrainpoint S grate frame plastic, 100 mm, without grate

Consisting of drain top with grate frame (plastic) without grate.

- Drain top with grate frame made of plastic (ABS)
- O-ring seal
- Outer diameter = 110 mm
- Height adjustment range = 10-92 mm

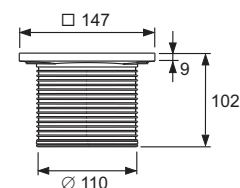


| | |
|----------|-------|
| Item No. | DU 1 |
| 3660018 | 1 pc. |

TECEDrainpoint S grate frame plastic, 150 mm, without grate

Drain top with grate frame (plastic) without grate.

- Drain top made of plastic (ABS)
- O-ring seal
- Outer diameter = 110 mm
- Height adjustment range = 10-92 mm

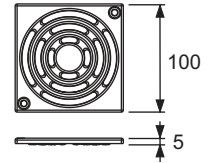


| | |
|----------|-------|
| Item No. | DU 1 |
| 3660019 | 1 pc. |

TECEdrainpoint S design grate stainless steel, 100 mm, screw-down

Design grate TECEdrainpoint S 100 x 100 mm made of drawn stainless steel, material 1.4301 (304), screw-down.

- Dimensions = 100 x 100 mm (outer dimensions)
- Polished surface
- Load class K3 (load up to 300 kg)
- Incl. two stainless steel countersunk screws and self-cutting threaded bushes

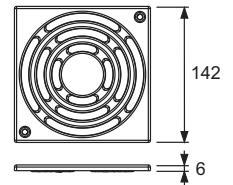


| | |
|-----------------|-------------|
| Item No. | DU 1 |
| 3665000 | 1 pc. |

TECEdrainpoint S design grate stainless steel, 150 mm, screw-down

Design grate TECEdrainpoint S 142 x 142 mm made of drawn stainless steel, material 1.4301 (304), screw-down.

- Dimensions = 142 x 142 mm (outer dimensions)
- Polished surface
- Load class K3 (load up to 300 kg)
- Incl. two stainless steel countersunk screws and self-cutting threaded bushes

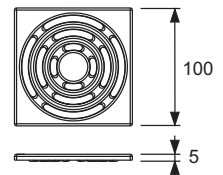


| | |
|-----------------|-------------|
| Item No. | DU 1 |
| 3665001 | 1 pc. |

TECEdrainpoint S design grate stainless steel, 100 mm

Design grate TECEdrainpoint S 100 x 100 mm made of drawn stainless steel, material 1.4301 (304).

- Dimensions = 100 x 100 mm (outer dimensions)
- Polished surface
- Load class K3 (load up to 300 kg)

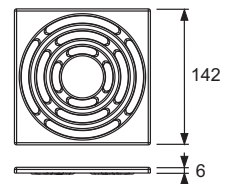


| | |
|-----------------|-------------|
| Item No. | DU 1 |
| 3665002 | 1 pc. |

TECEdrainpoint S design grate stainless steel, 150 mm

Design grate TECEdrainpoint S 142 x 142 mm made of drawn stainless steel, material 1.4301 (304).

- Dimensions = 142 x 142 mm (outer dimensions)
- Polished surface
- Load class K3 (load up to 300 kg)



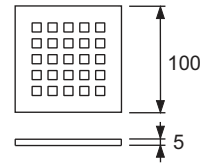
| | |
|-----------------|-------------|
| Item No. | DU 1 |
| 3665003 | 1 pc. |

TECEDrainpoint S – Grates

TECEDrainpoint S design grate "quadratum" stainless steel, 100 mm

Design grate "quadratum" TECEDrainpoint S 100 x 100 mm, made of stainless steel, material 1.4301 (304).

- Dimensions = 100 x 100 mm (outer dimensions)
- Polished surface
- Load class L15 (load up to 1500 kg)
- Slip resistance evaluation group B for wet loaded barefoot areas, according to DIN 51097

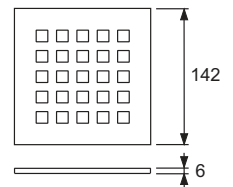


| Item No. | DU 1 |
|----------|-------|
| 3665006 | 1 pc. |

TECEDrainpoint S design grate "quadratum" stainless steel, 150 mm

Design grate "quadratum" TECEDrainpoint S 142 x 142 mm, made of stainless steel, material 1.4301 (304).

- Dimensions = 142 x 142 mm (outer dimensions)
- Polished surface
- Load class L15 (load up to 1500 kg)
- Slip resistance evaluation group B for wet loaded barefoot areas, according to DIN 51097



| Item No. | DU 1 |
|----------|-------|
| 3665009 | 1 pc. |

TECEdrainpoint S fire protection set FireStop EI 120 DN 50

Fire protection set for direct installation at the TECEdrainpoint S DN 50 drain vertical, for highly fire resistant partitioning of ceiling bushings in solid ceilings for up to 120 minutes. Classification in accordance with EN 13501 for fire protection class EI 120-U/C and E 120-U/C, European technical approval (ETA-11/0437), a general type approval has been applied for.

Set consists of fire protection sleeve, 2 cross-recessed screws, identification plate and 150 mm DN 50 PP-HT pipe to EN 1451.

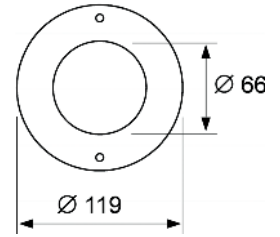
Required core drill hole:

Diameter 120 mm (min = 119 mm, max = 123 mm)

Application area:

solid ceilings from 150-325 mm ceiling thickness

No grouting or filling of the gap is necessary.



| Item No. | DU 1 | DU 2 |
|----------|-------|--------|
| 3690050 | 1 pc. | 50 pc. |

TECEdrainpoint S fire protection sleeve DN 70/DN 100

Fire protection sleeve for assembly under the ceiling, using vertical TECEdrainpoint S floor drains DN 70 and DN 100 together with a PP-HT drain pipe in accordance with EN 1451. For highly fire resistant partitioning of the ceiling bushing in solid ceilings for up to 120 minutes.

Classification according to EN 13501 for fire protection class EI 120-U/U, European Technical Approval (ETA-18/0537), a general type approval (aBG) has been applied for.

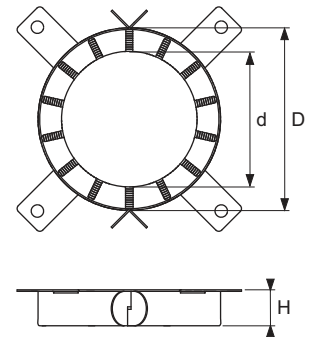
Required core drill hole:

- DN 70: Diameter 122 mm
- DN 100: Diameter 132 mm

Application area:

solid ceilings ≥ 200 mm ceiling thickness

No grouting or filling of the gap is necessary.



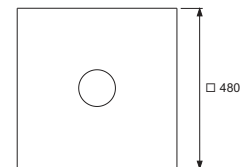
| Version | D | d | H | Item No. | DU 1 | DU 2 |
|---------|--------|--------|---------|----------|-------|--------|
| DN 70 | 132 mm | 94 mm | 26,6 mm | 3690070 | 1 pc. | 10 pc. |
| DN 100 | 155 mm | 114 mm | 26,6 mm | 3690100 | 1 pc. | 10 pc. |

TECEdrainpoint S Seal System sealing sleeve for composite seals*

Seal System sealing sleeve for the execution of an independently tested connection of TECEdrainpoint S drains to the composite seal.

Consisting of:

- PP fleece (top and underside) and inner waterproof PE foil
- Dimensions = 480 x 480 mm



| Item No. | DU 1 |
|----------|-------|
| 3690004 | 1 pc. |



* Information on Seal System can be found online at www.sealsystem.net.

TECEDrainpoint S – Accessories

TECEDrainpoint S compression ring set stainless steel

Compression sealing ring set for TECEDrainpoint S drains to create clamped flange connections.

Consisting of:

- Compression ring made of stainless steel, material 1.4301 (304) with pre-drilled hole circle
- Sealing ring made of cellular rubber
- Six stainless steel screws



| Item No. | DU 1 |
|----------|-------|
| 3690003 | 1 pc. |

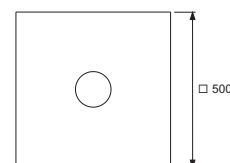
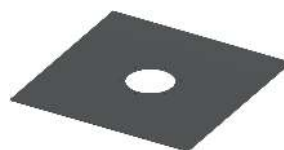
TECEDrainpoint S cut-to-size sealing foil EPDM for clamped flange connections

Sealing sleeve for TECEDrainpoint S drains, for joining bitumen membrane sheets, polymer bitumen membrane sheets or EPDM sealing strips using hot-air welding or full-area welding. The sealing sleeve is fixed on the universal flange with the compression ring set.

- Material: EPDM with glass cloth reinforcement, underside with polymer-modified bitumen layer and fine quartz coating
- Dimensions = 500 x 500 mm
- Material thickness = 3.1 mm
- Manufacturer: Phoenix Restrix MB

Please order separately:

- Compression ring set (Item No. 3690003)



| Item No. | DU 1 |
|----------|-------|
| 3690006 | 1 pc. |

TECEDrainpoint S mechanical odour trap

Mechanical odour trap with pendulum flap for TECEDrainpoint S drains as odour and vermin barrier. Suitable to retrofit to all TECEDrainpoint S floor drains.

Note:

Drainage capacity according to EN 1253 for 10/20 mm backwater height above grate using two examples:

TECEDrainpoint S 110 drain set super flat with design grate 100 x 100 mm (Item No. 3601100):

- For drain top minimum height: 0.54/0.60 l/s
- For drain top maximum height: 0.66/1.00 l/s

TECEDrainpoint S 120 drain set standard with design grate 100 x 100 mm (Item No. 3601200):

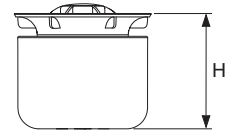
- For drain top minimum height: 0.66/1.00 l/s
- For drain top maximum height: 0.76/1.25 l/s



| Item No. | DU 1 | DU 2 |
|----------|-------|--------|
| 3695007 | 1 pc. | 60 pc. |

TECEDrainpoint S membrane odour trap

Odour trap for TECEDrainpoint S drains made of plastic (PP) with inner sealing lip membrane as protection against evaporation, barrier against odours and vermin, water seal and sealing lip membrane provide two-stage trap effect. Suitable to retrofit to all TECEDrainpoint S floor drains.



| Version | H | Item No. | DU 1 |
|--|--------|----------|-------|
| For drain DN 50 extra-flat | 50 mm | 3695002 | 1 pc. |
| For drains DN 50 standard and vertical and DN 70 | 83 mm | 3695005 | 1 pc. |
| For drains DN 100 | 117 mm | 3695006 | 1 pc. |

TECEDrainpoint S hair trap

Hair trap made of plastic, for insertion in the TECEDrainpoint S drain.



| Item No. | DU 1 | DU 2 |
|----------|-------|--------|
| 3690005 | 1 pc. | 60 pc. |

TECEDrainpoint S assembly feet, sound-insulated

Assembly feet for TECEDrainpoint S drains with universal flange to make it easy to adjust height and fix in position during the bare-wall installation stage.

Adjustment range lower edge of feet to the upper edge of universal flange: 64-165 mm

Consisting of 4 assembly feet incl. sound-proofing element and mounting material.



| Item No. | DU 1 | DU 2 |
|----------|-------|--------|
| 3690007 | 1 set | 10 set |

TECE PP-HT adapter on PVC drain pipes

Adapter to connect TECEDrainline and TECEDrainpoint S drains to PVC waste water pipes.



| Dimension | Item No. | DU 1 | DU 2 | DU 3 |
|-------------|----------|-------|--------|----------|
| DN 40/DN 40 | 3690000 | 1 pc. | 70 pc. | 1120 pc. |
| DN 50/DN 40 | 3690001 | 1 pc. | 70 pc. | 1120 pc. |
| DN 50/DN 50 | 3690002 | 1 pc. | 70 pc. | 1120 pc. |

TECE adapter DN 50/2"

Adapter to connect TECEDrainline, TECEDrainpoint S and TECEDrainprofile drains to 2" PVC waste water pipes in accordance with BS5255.



| Item No. | DU 1 | DU 2 |
|----------|-------|--------|
| 669012 | 1 pc. | 10 pc. |

TECEdrainpoint S – Accessories

TECE sound insulation mat Drainbase for TECEdrainprofile, TECEdrainline and TECEdrainpoint S

Sound insulation mat for assembly under floating screed in the area of floor-level showers or throughout the bathroom. To reduce plumbing noise and provide impact noise insulation for renovations and new buildings.

Made from recycled high-tensile rubber granules bound with PUR elastomer. Meets enhanced sound insulation requirements for installation noise level according to DIN 4109-5, issued 2020-08 and the highest sound insulation level SSt III according to VDI 4100, issued 2012-10 (sound test verification available on request).

- Form of delivery: 1.25 m x 1.25 m x 6 mm
- Fire class: B2 (DIN 4102)
- Thermal resistance: 0.05 (m²K)/W
- Compression at 15 t/m²: 0.6 mm
- Impact noise reduction: $\Delta L_w = 20$ dB(A) (for 50 mm screed)



| Item No. | DU 1 | DU 2 |
|----------|-------|--------|
| 660001 | 1 pc. | 16 pc. |

TECE sound insulation mat Drainbase for TECEdrainprofile, TECEdrainline and TECEdrainpoint S, roll

Sound insulation mat for assembly under floating screed in the area of floor-level showers or throughout the bathroom. To reduce plumbing noise and provide impact noise insulation for renovations and new buildings.

Made from recycled high-tensile rubber granules bound with PUR elastomer. Meets enhanced sound insulation requirements for installation noise level according to DIN 4109-5, issued 2020-08 and the highest sound insulation level SSt III according to VDI 4100, issued 2012-10 (sound test verification available on request).

- Form of delivery: 8.0 m x 1.25 m x 6 mm (roll, approx. 50 kg)
- Fire class: B2 (DIN 4102)
- Thermal resistance: 0.05 (m²K)/W
- Compression at 15 t/m²: 0.6 mm
- Impact noise reduction: $\Delta L_w = 20$ dB(A) (for 50 mm screed)



| Item No. | DU 1 |
|----------|------|
| 660002 | 8 m |

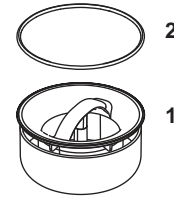
3601050 – TECEDrainpoint S 50 drain set extra-flat

3601100 – TECEDrainpoint S 110 drain set extra-flat with Seal System universal flange

3601102 – TECEDrainpoint S 112 drain set extra-flat with Seal System universal flange and stainless steel grate frame

3601108 – TECEDrainpoint S 116 drain set extra flat with Seal System universal flange, tileable channel "plate" 150 mm

| Pos. | Item No. | Designation | DU 1 |
|------|----------|--|-------|
| 1 | 3695000 | Odour trap superflat made of PP for horizontal outlets DN 50 superflat, height 50 mm | 1 pc. |
| 2 | 3695003 | O-ring seal for drain top with 110 mm | 1 pc. |

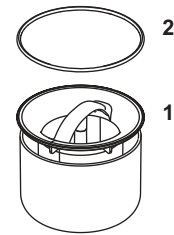


3601200 – TECEDrainpoint S 120 drain set standard with Seal System universal flange

3601202 – TECEDrainpoint S 122 drain set standard with Seal System universal flange and stainless steel grate frame

3601300 – TECEDrainpoint S 130 drain set vertical with Seal System universal flange

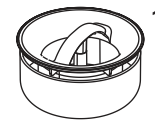
| Pos. | Item No. | Designation | DU 1 |
|------|----------|---|-------|
| 1 | 3695001 | Odour trap standard made of PP for horizontal and vertical outlets DN 50 standard and DN 70, height 83 mm | 1 pc. |
| 2 | 3695003 | O-ring seal for drain top with 110 mm | 1 pc. |



3601400 – TECEDrainpoint S drain DN 50 extra-flat with Seal System universal flange

3601401 – TECEDrainpoint S drain DN 50 terrace with Seal System universal flange

| Pos. | Item No. | Designation | DU 1 |
|------|----------|--|-------|
| 1 | 3695000 | Odour trap superflat made of PP for horizontal outlets DN 50 superflat, height 50 mm | 1 pc. |



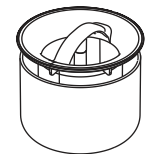
3601500 – TECEDrainpoint S drain DN 50 standard with Seal System universal flange

3601600 – TECEDrainpoint S drain DN 50 vertical with Seal System universal flange

3603500 – TECEDrainpoint S drain DN 70 with Seal System universal flange

3603600 – TECEDrainpoint S drain DN 70 vertical with Seal System universal flange

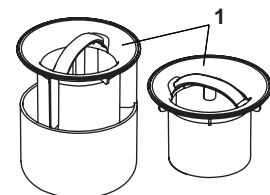
| Pos. | Item No. | Designation | DU 1 |
|------|----------|---|-------|
| 1 | 3695001 | Odour trap standard made of PP for horizontal and vertical outlets DN 50 standard and DN 70, height 83 mm | 1 pc. |



3607500 – TECEDrainpoint S drain DN 100 with Seal System universal flange

3607600 – TECEDrainpoint S drain DN 100 vertical with Seal System universal flange

| Pos. | Item No. | Designation | DU 1 |
|------|----------|----------------------------------|-------|
| 1 | 3695004 | Odour trap DN 100, height 117 mm | 1 pc. |



TECEDrainpoint S grate frame stainless steel, 100 mm, frameless tile base

| Pos. | Item No. | Designation | DU 1 |
|------|----------|-------------|--------|
| 1 | 668016 | Spacer clip | 10 pc. |



TECEDrainpoint S – Spare parts

- 3660011 – TECEDrainpoint S grate frame stainless steel, 150 mm, design "plate"
- 3660001 – TECEDrainpoint S grate frame plastic, 100 mm, incl. design grate
- 3660002 – TECEDrainpoint S grate frame stainless steel, 100 mm, incl. design grate
- 3660009 – TECEDrainpoint S grate frame stainless steel, 100 mm, incl. design grate, screw-down
- 3660003 – TECEDrainpoint S grate frame plastic, 150 mm, incl. design grate
- 3660004 – TECEDrainpoint S grate frame stainless steel, 150 mm, incl. design grate
- 3660010 – TECEDrainpoint S grate frame stainless steel, 150 mm, incl. design grate, screw-down
- 3660007 – TECEDrainpoint S grate frame stainless steel, 100 mm, incl. design grate "quadratum"
- 3660008 – TECEDrainpoint S grate frame stainless steel, 150 mm, incl. design grate "quadratum"
- 3660005 – TECEDrainpoint S raising element with Seal System universal flange
- 3660006 – TECEDrainpoint S extension
- 3660019 – TECEDrainpoint S grate frame plastic, 150 mm, without grate

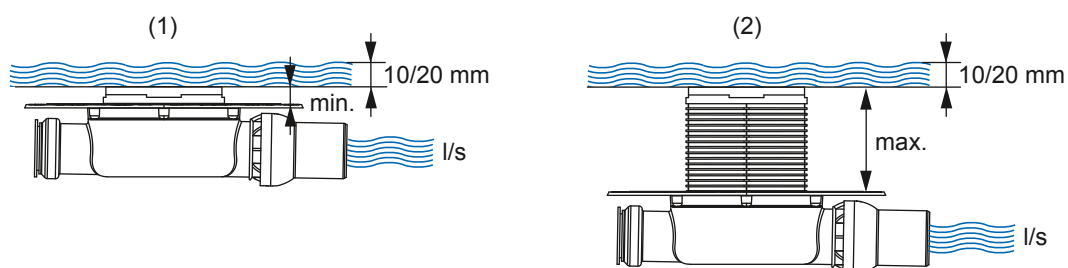


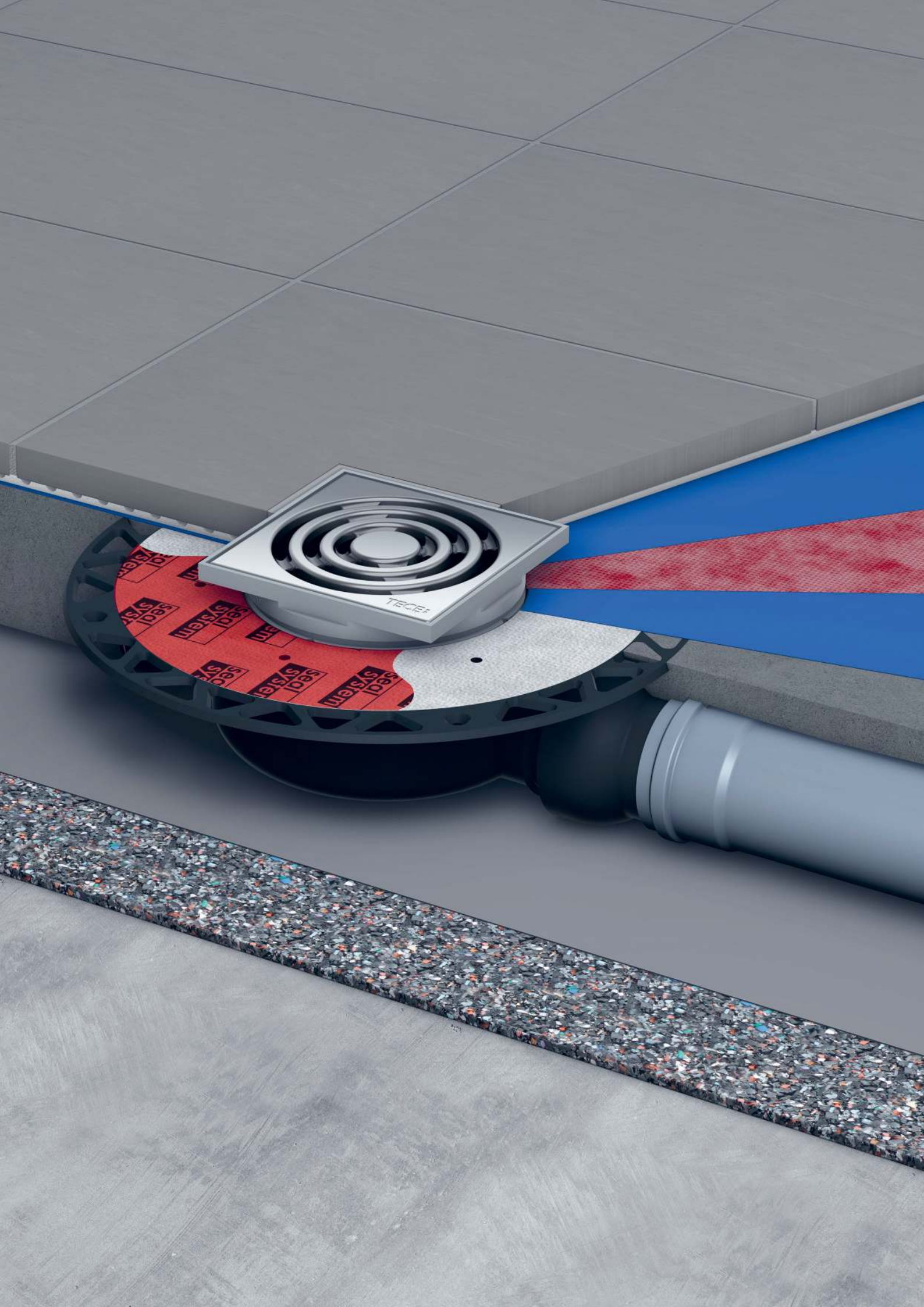
| Pos. | Item No. | Designation | DU 1 |
|------|----------|---------------------------------------|-------|
| 1 | 3695003 | O-ring seal for drain top with 110 mm | 1 pc. |

Drainage capacity TECEdrainpoint S

(Specified in l/s, according to DIN EN 1253)

| Drain Designation (Order number) | Drain top and cover (order number) | Minimum height of drain top (1) | | Maximum height of drain top (2) | |
|-------------------------------------|---|------------------------------------|-------|------------------------------------|-------|
| | | Water level above grate | | | |
| | | 10 mm | 20 mm | 10 mm | 20 mm |
| DN 50 extra-flat (3601400) | Top with design grate, 100 mm (3660001, 3660002, 3660009) | 0.52 | 0.61 | 0.69 | 1.12 |
| | Top with design grate “quadratum”, 100 mm (3660007) | 0.44 | 0.69 | 0.53 | 0.85 |
| | Tileable top “frameless”, 100 mm (3660016 + 3660006) | 0.49 | 0.55 | 0.61 | 1.00 |
| | Top with tileable frame base “plate”, 150 mm (3660011) | 0.64 | 0.70 | 0.98 | 1.04 |
| DN 50 standard (3601500) | Top with design grate, 100 mm (3660001, 3660002, 3660009) | 0.52 | 0.89 | 0.64 | 1.35 |
| | Top with design grate “quadratum”, 100 mm (3660007) | 0.42 | 0.81 | 0.64 | 0.93 |
| | Tileable top “frameless”, 100 mm (3660016 + 3660006) | 0.45 | 0.75 | 0.79 | 1.07 |
| | Top with tileable frame base “plate”, 150 mm (3660011) | 0.91 | 0.98 | 1.33 | 1.46 |
| DN 50 vertical (3601600) | Top with design grate, 100 mm (3660001, 3660002, 3660009) | 0.64 | 1.36 | 0.70 | 1.56 |
| | Top with design grate “quadratum”, 100 mm (3660007) | 0.56 | 1.02 | 0.67 | 1.46 |
| | Tileable top “frameless”, 100 mm (3660016 + 3660006) | 0.62 | 0.96 | 0.89 | 1.48 |
| | Top with tileable frame base “plate”, 150 mm (3660011) | 1.33 | 1.41 | 1.63 | 1.69 |
| DN 50 terrace (3601401) | Top with design grate, 100 mm (3660001, 3660002, 3660009) | 0.66 | 1.22 | 0.50 | 1.51 |
| | Top with design grate “quadratum”, 100 mm (3660007) | 0.48 | 0.89 | 0.56 | 1.53 |
| | Tileable top “frameless”, 100 mm (3660016 + 3660006) | 0.71 | 0.97 | 0.81 | 1.07 |
| | Top with tileable frame base “plate”, 150 mm (3660011) | 0.97 | 1.46 | 0.86 | 1.27 |
| DN 70 horizontal (3603500) | Top with design grate, 150 mm (3660003, 3660004, 3660010) | 0.62 | 1.22 | 0.87 | 1.74 |
| | Top with design grate “quadratum”, 150 mm (3660008) | 0.76 | 1.13 | 0.78 | 1.54 |
| | Tileable top “frameless”, 100 mm (3660016 + 3660006) | 0.64 | 0.84 | 0.97 | 1.54 |
| | Top with tileable frame base “plate”, 150 mm (3660011) | 1.19 | 1.29 | 1.50 | 1.72 |
| DN 70 vertical (3603600) | Top with design grate, 150 mm (3660003, 3660004, 3660010) | 0.47 | 1.81 | 0.63 | 1.84 |
| | Top with design grate “quadratum”, 150 mm (3660008) | 0.79 | 1.67 | 0.68 | 1.99 |
| | Tileable top “frameless”, 100 mm (3660016 + 3660006) | 0.64 | 0.85 | 0.80 | 2.18 |
| | Top with tileable frame base “plate”, 150 mm (3660011) | 1.62 | 1.97 | 2.24 | 2.42 |
| DN 100 horizontal (3607500) | Top with design grate, 150 mm (3660003, 3660004, 3660010) | 0.90 | 1.61 | 0.86 | 2.03 |
| | Top with design grate “quadratum”, 150 mm (3660008) | 0.77 | 1.48 | 0.79 | 1.98 |
| | Tileable top “frameless”, 100 mm (3660016 + 3660006) | 0.46 | 1.12 | 0.58 | 1.81 |
| | Top with tileable frame base “plate”, 150 mm (3660011) | 1.36 | 1.48 | 1.60 | 2.06 |
| DN 100 vertical (3607600) | Top with design grate, 150 mm (3660003, 3660004, 3660010) | 0.76 | 1.42 | 0.80 | 2.10 |
| | Top with design grate “quadratum”, 150 mm (3660008) | 0.70 | 1.33 | 0.74 | 2.13 |
| | Tileable top “frameless”, 100 mm (3660016 + 3660006) | 0.76 | 1.06 | 0.59 | 1.86 |
| | Top with tileable frame base “plate”, 150 mm (3660011) | 1.22 | 1.36 | 1.72 | 2.20 |





Drainage Systems

TECEshowerpoint

TECEshowerpoint





| | Page |
|-------------|------|
| Drain sets | 338 |
| Drain tops | 340 |
| Spare parts | 341 |

TECEshowerpoint – Drain sets

TECEshowerpoint drain set 100 mm, cover "2 in 1", without flange **NEW**

Floor drain set 100 x 100 mm without flange.

Consisting of:

- Top made of stainless steel 1.4301 (304) for installation in the screed for direct installation on a DN 50 waste water pipe
- Reversible cover "2 in 1" (stainless steel surface or tileable)
- Membrane odour trap
- Hair trap

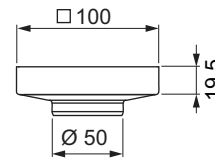
External dimension of attachment (without flange): 100 x 100 mm

Internal dimensions of grate for tile: 86 x 86 mm

Outer diameter spigot: 50 mm

Caution:

Not compatible with other TECEdrainpoint S products.



| Item No. | | DU 1 |
|----------|------------|-------|
| 15204001 | NEW | 1 set |

TECEshowerpoint drain set 150 mm, cover "2 in 1", without flange **NEW**

Floor drain set 150 x 150 mm without flange.

Consisting of:

- Top made of stainless steel 1.4301 (304) for installation in the screed for direct installation on a DN 100 waste water pipe
- Reversible cover "2 in 1" (stainless steel surface or tileable)
- Membrane odour trap
- Hair trap

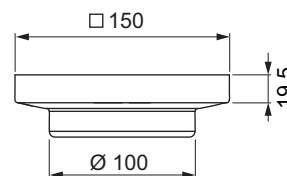
External dimension of attachment (without flange): 150 x 150 mm

Internal dimensions of grate for tile: 136 x 136 mm

Outer diameter spigot: 100 mm

Caution:

Not compatible with other TECEdrainpoint S products.



| Item No. | | DU 1 |
|----------|------------|-------|
| 15204003 | NEW | 1 set |

TECEshowerpoint drain set 100 mm for natural stone, with flange **NEW**

Floor drain set 100 x 100 mm with flange.

Consisting of:

- Top made of stainless steel 1.4301 (304) for installation in the screed for direct installation on a DN 50 waste water pipe
- Tileable stainless steel grate
- Membrane odour trap
- Hair trap

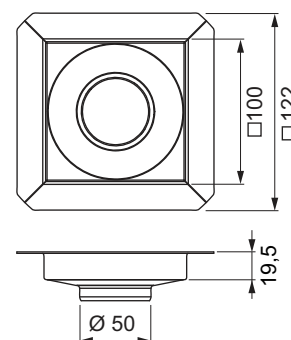
External dimension of attachment (with flange): 122 x 122 mm

Outer dimensions of grate for natural stone: 88 x 88 mm

Outer diameter spigot: 50 mm

Caution:

Not compatible with other TECEdrainpoint S products.



| Item No. | | DU 1 |
|----------|------------|-------|
| 15204002 | NEW | 1 set |

TECEshowerpoint drain set 150 mm for natural stone, with flange **NEW**

Floor drain set 150 x 150 mm with flange.

Consisting of:

- Top made of stainless steel 1.4301 (304) for installation in the screed for direct installation on a DN 100 waste water pipe
- Tileable stainless steel grate
- Membrane odour trap
- Hair trap

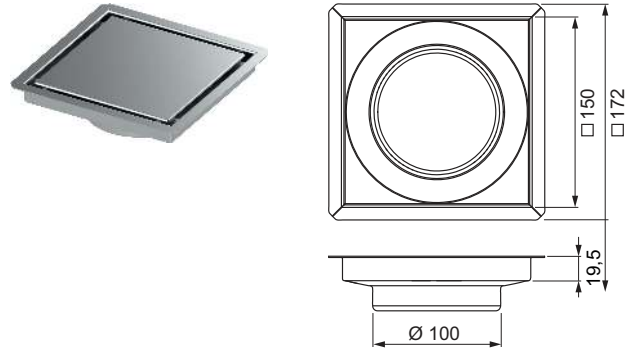
External dimension of attachment (with flange): 172 x 172 mm

Outer dimensions of grate for natural stone: 138 x 138 mm

Outer diameter spigot: 100 mm

Caution:

Not compatible with other TECEdrainpoint S products.



| Item No. | | DU 1 |
|----------|-----|-------|
| 15204004 | NEW | 1 set |

TECEshowerpoint – Drain tops

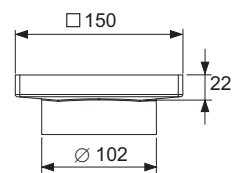
TECEshowerpoint grate frame stainless steel, 150 mm, design "plate"

Set consisting of drain top with stainless steel grate frame and tileable recess "plate", 142 x 142 mm to mount directly to a DN 100 mm drain pipe.

- Grate frame outer dimensions = 149 x 149 mm
- Outlet outer diameter = 102 mm
- Grate frame height (inserted) = 23 mm
- Inner height of tileable insert = 10.5 mm
- Grate frame made of drawn stainless steel, material 1.4301 (304)
- Tileable channel plate made of stainless steel, material 1.4301 (304), dimensions 142 x 142 mm, polished surface, load class K3 (load up to 300 kg)

Caution:

Not compatible with other TECEdrainpoint S products.



| Item No. | DU 1 |
|----------|-------|
| 3660013 | 1 pc. |

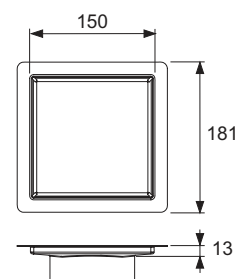
TECEshowerpoint grate frame stainless steel, 150 mm, frameless tile base

Set consisting of stainless steel top with frameless tile support, 150 x 150 mm to mount directly to a DN 100 mm drain pipe.

- Outer diameter = 102 mm
- Height = 2 mm (suitable for all tile/natural stone thicknesses)
- Grate frame made of drawn stainless steel
- Frameless tile base made of stainless steel, dimensions 134 x 134 mm, polished surface

Caution:

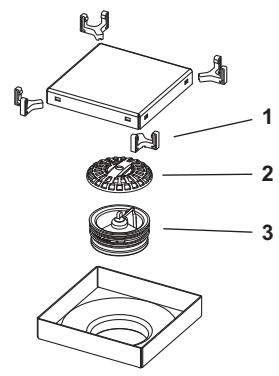
Not compatible with other TECEdrainpoint S products.



| Item No. | DU 1 |
|----------|-------|
| 3660014 | 1 pc. |

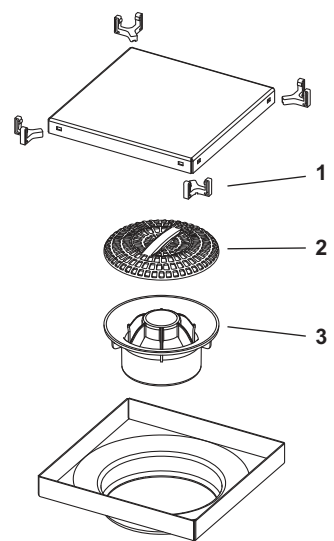
15204001 – TECEshowerpoint drain set 100 mm, cover "2 in 1", without flange
 15204002 – TECEshowerpoint drain set 100 mm for natural stone, with flange

| Pos. | Item No. | Designation | | DU 1 |
|------|----------|-----------------------------------|-----|-------|
| 1 | 15294000 | Moulded feet for cover (4 pieces) | NEW | 1 pc. |
| 2 | 15294001 | Hair trap for 100 mm | NEW | 1 pc. |
| 3 | 15294002 | Membrane odour trap for 100 mm | NEW | 1 pc. |



15204003 – TECEshowerpoint drain set 150 mm, cover "2 in 1", without flange
 15204004 – TECEshowerpoint drain set 150 mm for natural stone, with flange

| Pos. | Item No. | Designation | | DU 1 |
|------|----------|-----------------------------------|-----|-------|
| 1 | 15294000 | Moulded feet for cover (4 pieces) | NEW | 1 pc. |
| 2 | 3690005 | Hair trap | | 1 pc. |
| 3 | 15294003 | Membrane odour trap for 150 mm | NEW | 1 pc. |

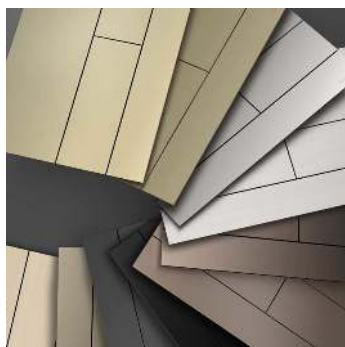




Annex

EXHIBITION SAMPLES

Exhibition samples



| | Page |
|---------------------|------|
| TECEone | 346 |
| TECElux | 347 |
| Toilet flush plates | 348 |
| Urinal flush plates | 352 |
| TECEdrainprofile | 354 |
| TECEdrainline | 355 |

We can provide you with the prices of the exhibition samples on request.

Exhibition samples – TECEone

TECEone splash guard

Transparent plastic hood for presenting the shower function.



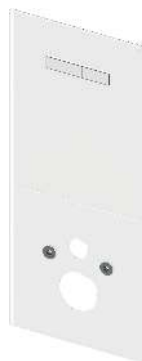
Item No.

9820371

TECElux flush plate exhibit glass with manual actuation

Upper glass facing with actuation unit for TECElux module with two actuation buttons in combination with lower glass facing.
 Dimensions: 430 x 1000 x 16 mm

| Colour | Item No. |
|--|----------|
| Polished white glass, polished white buttons | 9650500 |
| Polished white glass, bright chrome buttons | 9650501 |
| Polished black glass, bright chrome buttons | 9650505 |



TECElux flush plate exhibit glass with electronic sen-Touch actuation

Upper glass facing for TECElux module with electronic sen-Touch actuation buttons in combination with lower toilet glass facing for standard toilet, power pack included in the delivery.
 Dimensions: 430 x 1000 x 16 mm

| Colour | Item No. |
|----------------------|----------|
| Polished white glass | 9650502 |
| Polished black glass | 9650504 |



TECElux flush plate exhibit glass with electronic sen-Touch actuation, for shower toilet seat

Upper glass flush plate for TECElux module with electronic sen-Touch actuation buttons in combination with lower toilet glass facing for shower toilet seat, power pack included in the delivery.
 Dimensions: 430 x 1000 x 16 mm

| Colour | Item No. |
|----------------------|----------|
| Polished white glass | 9650503 |



TECElux info board

TECElux explanation table for exhibitions, for combination with TECElux exhibition modules.
 Dimensions:
 120 x 320 x 3 mm (9650553)
 120 x 230 x 3 mm (9650554)

| Version | Item No. |
|---------------------------|----------|
| sen-Touch and ceramic-Air | 9650553 |
| Manual actuation | 9650554 |



Exhibition samples – Toilet flush plates

TECElux Mini toilet flush plate exhibit

Power pack included in the delivery.
 Dimensions: 220 x 150 x 5 mm
 (0 mm installation height with flush-mounted installation)



| Colour | Item No. |
|----------------------|----------|
| Polished white glass | 9240565 |
| Polished black glass | 9240567 |

TECESquare II metal toilet flush plate exhibit with coloured surface

Dimensions: 220 x 150 x 3 mm



| Colour | Item No. |
|----------------------|----------|
| Brushed black chrome | 9240590 |
| Polished gold optic | 9240592 |
| Rusted steel | 9240492 |

TECESquare II metal toilet flush plate exhibit

Dimensions: 220 x 150 x 3 mm



| Colour | Item No. |
|---|----------|
| Brushed stainless steel (with anti-fingerprint) | 9240560 |
| Bright chrome | 9240561 |
| Polished white | 9240562 |
| Matt white | 9240568 |
| Matt black | 9240564 |

TECESquare toilet flush plate exhibit, satined glass

Dimensions: 220 x 150 x 7 mm



| Colour | Item No. |
|--------------------------|----------|
| Satined white glass | 9240493 |
| Satined black glass | 9240494 |
| Satined sand beige glass | 9240495 |

TECESquare toilet flush plate exhibit glass

Dimensions: 220 x 150 x 11 mm
 (0 mm installation height with flush-mounted installation)



| Colour | Item No. |
|---|----------|
| Polished white glass, polished white buttons | 9240530 |
| Polished white glass, brushed stainless steel buttons (with anti-fingerprint) | 9240536 |
| Polished white glass, bright chrome buttons | 9240531 |
| Polished black glass, brushed stainless steel buttons (with anti-fingerprint) | 9240532 |
| Polished black glass, bright chrome buttons | 9240538 |
| Polished black glass, polished black buttons | 9240537 |

TECEvelvet toilet flush plate exhibit

Dimensions: 220 x 150 x 5 mm
(0 mm installation height with flush-mounted installation)



| Colour | Item No. |
|-------------|----------|
| Black | 9240583 |
| Beige brown | 9240584 |
| Grey beige | 9240913 |
| Anthracite | 9240912 |

TECEloop toilet flush plate exhibit glass/natural material

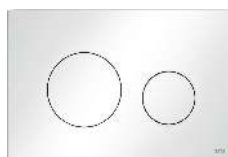
Dimensions: 220 x 150 x 11 mm
(0 mm installation height with flush-mounted installation)



| Colour | Item No. |
|---|----------|
| Polished white glass, polished white buttons | 9240511 |
| Polished white glass, matt chrome buttons | 9240524 |
| Polished white glass, bright chrome buttons | 9240525 |
| Polished white glass, brushed round stainless steel look buttons (with anti-fingerprint) | 9240550 |
| Polished black glass, polished white buttons | 9240515 |
| Polished black glass, matt chrome buttons | 9240516 |
| Polished black glass, bright chrome buttons | 9240517 |
| Polished black glass, polished black buttons | 9240518 |
| Polished black glass, gold buttons | 9240519 |
| Polished ruby red glass (Alape), brushed round stainless steel look buttons (with anti-fingerprint) | 9240528 |
| Polished ruby red glass (Alape), polished white buttons | 9240551 |
| Polished coffee brown glass, bright chrome buttons | 9240542 |
| Polished evening blue glass, polished white buttons | 9240589 |
| Slate slab, brushed round stainless steel look buttons (with anti-fingerprint) | 9240540* |
| Light concrete, brushed round stainless steel look buttons (with anti-fingerprint) | 9240586 |
| White marble, bright chrome buttons | 9240587 |
| Oak, black matt button | 9240588 |

TECEloop toilet flush plate exhibit plastic

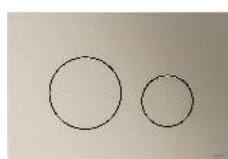
Dimensions: 220 x 150 x 5 mm



| Colour | Item No. |
|----------------|----------|
| Polished white | 9240740 |
| Matt chrome | 9240741 |
| Matt black | 9240742 |

TECEloop toilet flush plate exhibit plastic, metallic

Dimensions: 220 x 150 x 5 mm
(0 mm installation height for flush-mounted installation)



| Colour | Item No. |
|---------------------|----------|
| Metallic brass | 9240597 |
| Metallic red bronze | 9240598 |

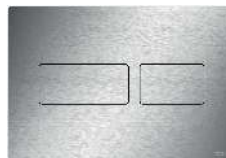
* Natural product, can deviate from exhibited surface

Exhibition samples – Toilet flush plates

TECESolid toilet flush plate exhibit

Dimensions: 220 x 150 x 6 mm

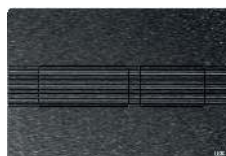
| Colour | Item No. |
|---|----------|
| Polished white | 9240572 |
| Brushed stainless steel (with anti-fingerprint) | 9240574 |
| Bright chrome | 9240571 |



TECESolid toilet flush plate exhibit, with textured surface

Dimensions: 220 x 150 x 6 mm

| Colour | Item No. |
|--------------------------------------|----------|
| Brushed graphite with line structure | 9240490 |
| Brushed brass with diamond structure | 9240491 |

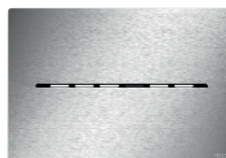


TECESolid toilet electronics exhibition plate

Power pack included in the delivery.

Dimensions: 220 x 150 x 6 mm

| Colour | Item No. |
|---|----------|
| Brushed stainless steel (with anti-fingerprint) | 9240581 |

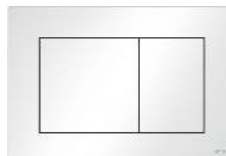


TECENow toilet flush plate exhibit

Dimensions: 220 x 150 x 5 mm

(0 mm installation height with flush-mounted installation)

| Colour | Item No. |
|----------------|----------|
| Polished white | 9240555 |
| Bright chrome | 9240556 |
| Matt chrome | 9240557 |
| Polished black | 9240558 |
| Matt black | 9240908 |



TECENow toilet flush plate exhibit, metallic

Dimensions: 220 x 150 x 5 mm

(0 mm installation height for flush-mounted installation)

| Colour | Item No. |
|-------------------|----------|
| Metallic nickel | 9240594 |
| Metallic graphite | 9240595 |



TECE exhibition installation frame for flush-mounted installation, toilet

Exhibition installation frame for the flush-mounted installation of the TECElux Mini, TECEloop, TECEsquare and TECEnow toilet flush plates.

Dimensions: 225 x 155 x 15 mm



| Colour | Item No. |
|---------------|----------|
| White | 9240543 |
| Black | 9240544 |
| Bright chrome | 9240522 |

Exhibition samples – Urinal flush plates

TECEfilo urinal exhibition flush plate

Dimensions:

- 100 x 150 x 7 mm (9242920)
- 100 x 150 x 9 mm (9242925)
- 100 x 150 x 6 mm (9242921, 9242930)



| Colour | Item No. |
|---|----------|
| Plastic polished white | 9242920 |
| Plastic bright chrome | 9242921 |
| Polished white glass | 9242925 |
| Brushed stainless steel (with anti-fingerprint) | 9242930 |

TECEfilo-Velvet urinal flush plate exhibit

Dimensions: 104 x 124 x 6 mm



| Colour | Item No. |
|-------------|----------|
| Beige brown | 9242942 |
| Anthracite | 9242943 |

TECEfilo-Solid urinal flush plate exhibit

Dimensions: 104 x 124 x 6 mm



| Colour | Item No. |
|---|----------|
| Brushed stainless steel (with anti-fingerprint) | 9242939 |

TECESquare urinal flush plate exhibit metal

Dimensions: 124 x 144 x 2 mm



| Colour | Item No. |
|---|----------|
| Brushed stainless steel (with anti-fingerprint) | 9242533 |
| Bright chrome | 9242534 |
| Polished white | 9242535 |
| Matt black | 9242540 |

TECESquare urinal flush plate exhibit glass

Dimensions: 104 x 124 x 11 mm

(0 mm installation height with flush-mounted installation)



| Colour | Item No. |
|--|----------|
| Polished white glass, polished white button | 9242530 |
| Polished white glass, bright chrome button | 9242531 |
| Polished black glass, brushed stainless steel button (with anti-fingerprint) | 9242532 |

TECEloop urinal flush plate exhibit glass

Dimensions: 104 x 124 x 11 mm
(0 mm installation height with flush-mounted installation)



| Colour | Item No. |
|---|----------|
| Polished white glass, polished white button | 9242511 |
| Polished white glass, matt chrome button | 9242524 |
| Polished white glass, bright chrome button | 9242525 |
| Polished black glass, polished white button | 9242515 |
| Polished black glass, matt chrome button | 9242516 |
| Polished black glass, bright chrome button | 9242517 |
| Polished black glass, polished black button | 9242518 |

TECESolid urinal flush plate exhibit

Dimensions: 104 x 124 x 6 mm



| Colour | Item No. |
|---|----------|
| Brushed stainless steel (with anti-fingerprint) | 9242574 |

TECEplanus urinal flush plate exhibit, electronic

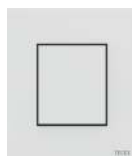
Dimensions: 100 x 120 x 12 mm



| Colour | Item No. |
|-------------------------|----------|
| Silk matt white | 9242906 |
| Brushed stainless steel | 9242903 |
| Bright chrome | 9242904 |

TECENow urinal flush plate exhibit

Dimensions: 104 x 124 x 5 mm



| Colour | Item No. |
|----------------|----------|
| Polished white | 9242536 |
| Bright chrome | 9242537 |
| Matt chrome | 9242538 |

TECE exhibition installation frame for flush-mounted installation, urinal

Exhibition installation frame for the flush-mounted installation of the TECEloop and TECESquare urinal flush panels.
Dimensions: 129 x 109 x 15 mm



| Colour | Item No. |
|---------------|----------|
| Bright chrome | 9242522 |

Exhibition samples – TECEdrainprofile

TECEdrainprofile shower profile exhibit

Shower profile with profile cover on base body, for floor installation.

Consisting of:

- Profile and profile cover made of stainless steel, material 1.4301 (304)
- Base body made of wood

Length: 900 mm

Width: 55 mm

Height: 10 mm



| Surface | Item No. |
|---------|----------|
| Brushed | 679000 |

TECEdrainprofile shower profile exhibit with black surface

Shower profile with profile cover on base body, for floor installation.

Consisting of:

- Shower profile and profile cover made of stainless steel with coloured PVD surface, material 1.4301 (304)
- Base body made of wood

Length: 900 mm

Width: 55 mm

Height: 10 mm



| Surface | Colour | Item No. |
|---------|--------|----------|
| Brushed | Black | 679012 |

TECEdrainline sample channels, base body

Sample channel, 10 mm high base body, can be used as an exhibition tileable channel.

Length: 850 mm



Item No.

669002



| Item No. | | DU 1 | DU 2 | DU 3 | Page |
|----------|--|------|------|------|------|
| 600700 | | 1 | 40 | - | 275 |
| 600701 | | 1 | 32 | - | 276 |
| 600702 | | 1 | 49 | - | 272 |
| 600703 | | 1 | 49 | - | 273 |
| 600705 | | 1 | 40 | - | 277 |
| 600706 | | 1 | 40 | - | 277 |
| 600707 | | 1 | 49 | - | 274 |
| 600708 | | 1 | 49 | - | 274 |
| 600710 | | 1 | - | - | 280 |
| 600711 | | 1 | - | - | 280 |
| 600751 | | 1 | - | - | 281 |
| 600770 | | 1 | - | - | 278 |
| 600772 | | 1 | - | - | 278 |
| 600782 | | 1 | - | - | 279 |
| 600783 | | 1 | - | - | 279 |
| 600785 | | 1 | - | - | 280 |
| 600786 | | 1 | - | - | 280 |
| 600793 | | 1 | - | - | 279 |
| 600794 | | 1 | - | - | 279 |
| 600800 | | 1 | 40 | - | 275 |
| 600801 | | 1 | 32 | - | 276 |
| 600802 | | 1 | 49 | - | 272 |
| 600803 | | 1 | 49 | - | 273 |
| 600805 | | 1 | 40 | - | 277 |
| 600806 | | 1 | 40 | - | 277 |
| 600807 | | 1 | 49 | - | 274 |
| 600808 | | 1 | 49 | - | 274 |
| 600810 | | 1 | - | - | 280 |
| 600811 | | 1 | - | - | 280 |
| 600851 | | 1 | - | - | 281 |
| 600870 | | 1 | - | - | 278 |
| 600872 | | 1 | - | - | 278 |
| 600882 | | 1 | - | - | 279 |
| 600883 | | 1 | - | - | 279 |
| 600885 | | 1 | - | - | 280 |
| 600886 | | 1 | - | - | 280 |
| 600893 | | 1 | - | - | 279 |
| 600894 | | 1 | - | - | 279 |
| 600900 | | 1 | 40 | - | 275 |
| 600901 | | 1 | 32 | - | 276 |
| 600902 | | 1 | 49 | - | 272 |
| 600903 | | 1 | 49 | - | 273 |
| 600905 | | 1 | 40 | - | 277 |
| 600906 | | 1 | 40 | - | 277 |
| 600907 | | 1 | 49 | - | 274 |
| 600908 | | 1 | 49 | - | 274 |
| 600910 | | 1 | - | - | 280 |
| 600911 | | 1 | - | - | 280 |
| 600951 | | 1 | - | - | 281 |
| 600970 | | 1 | - | - | 278 |

| Item No. | | DU 1 | DU 2 | DU 3 | Page |
|----------|--|------|------|------|------|
| 600972 | | 1 | - | - | 278 |
| 600982 | | 1 | - | - | 279 |
| 600983 | | 1 | - | - | 279 |
| 600985 | | 1 | - | - | 280 |
| 600986 | | 1 | - | - | 280 |
| 600993 | | 1 | - | - | 279 |
| 600994 | | 1 | - | - | 279 |
| 601000 | | 1 | 40 | - | 275 |
| 601001 | | 1 | 32 | - | 276 |
| 601002 | | 1 | 49 | - | 272 |
| 601003 | | 1 | 49 | - | 273 |
| 601005 | | 1 | 40 | - | 277 |
| 601006 | | 1 | 40 | - | 277 |
| 601007 | | 1 | 49 | - | 274 |
| 601008 | | 1 | 49 | - | 274 |
| 601010 | | 1 | - | - | 280 |
| 601011 | | 1 | - | - | 280 |
| 601051 | | 1 | - | - | 281 |
| 601070 | | 1 | - | - | 278 |
| 601072 | | 1 | - | - | 278 |
| 601082 | | 1 | - | - | 279 |
| 601083 | | 1 | - | - | 279 |
| 601085 | | 1 | - | - | 280 |
| 601086 | | 1 | - | - | 280 |
| 601093 | | 1 | - | - | 279 |
| 601094 | | 1 | - | - | 279 |
| 601200 | | 1 | 40 | - | 275 |
| 601201 | | 1 | 32 | - | 276 |
| 601202 | | 1 | 49 | - | 272 |
| 601203 | | 1 | 49 | - | 273 |
| 601205 | | 1 | 40 | - | 277 |
| 601206 | | 1 | 40 | - | 277 |
| 601207 | | 1 | 49 | - | 274 |
| 601208 | | 1 | 49 | - | 274 |
| 601210 | | 1 | - | - | 280 |
| 601211 | | 1 | - | - | 280 |
| 601251 | | 1 | - | - | 281 |
| 601270 | | 1 | - | - | 278 |
| 601272 | | 1 | - | - | 278 |
| 601282 | | 1 | - | - | 279 |
| 601283 | | 1 | - | - | 279 |
| 601285 | | 1 | - | - | 280 |
| 601286 | | 1 | - | - | 280 |
| 601293 | | 1 | - | - | 279 |
| 601294 | | 1 | - | - | 279 |
| 601500 | | 1 | 40 | - | 275 |
| 601501 | | 1 | 32 | - | 276 |
| 601505 | | 1 | 40 | - | 277 |
| 601506 | | 1 | 40 | - | 277 |
| 601510 | | 1 | - | - | 280 |

Article quick search

Quick search

| Item No. | | DU 1 | DU 2 | DU 3 | Page |
|----------|--|------|------|------|--------------------|
| 601511 | | 1 | - | - | 280 |
| 601551 | | 1 | - | - | 281 |
| 601570 | | 1 | - | - | 278 |
| 601572 | | 1 | - | - | 278 |
| 601582 | | 1 | - | - | 279 |
| 601583 | | 1 | - | - | 279 |
| 601585 | | 1 | - | - | 280 |
| 601586 | | 1 | - | - | 280 |
| 601593 | | 1 | - | - | 279 |
| 601594 | | 1 | - | - | 279 |
| 640726 | | 1 | - | - | 282 |
| 640826 | | 1 | - | - | 282 |
| 640926 | | 1 | - | - | 282 |
| 641024 | | 1 | - | - | 254 |
| 641025 | | 1 | - | - | 254 |
| 650000 | | 1 | 360 | - | 284, 292 |
| 650001 | | 1 | 288 | - | 284 |
| 650002 | | 1 | 75 | - | 285 |
| 650003 | | 1 | 175 | - | 285 |
| 650004 | | 1 | 472 | - | 284 |
| 650700 | | 1 | 40 | - | 283 |
| 650800 | | 1 | 40 | - | 283 |
| 650900 | | 1 | 40 | - | 283 |
| 651000 | | 1 | 40 | - | 283 |
| 651200 | | 1 | 40 | - | 283 |
| 651500 | | 1 | 20 | - | 283 |
| 660001 | | 1 | 16 | - | 262, 287, 330 |
| 660002 | | 8 | - | - | 262, 288, 330 |
| 660003 | | 1 | 45 | - | 286, 292 |
| 660004 | | 1 | 30 | - | 286 |
| 660005 | | 1 | 10 | - | 286, 301 |
| 660006 | | 1 | 50 | - | 262, 286 |
| 660015 | | 1 | 150 | - | 287 |
| 660016 | | 1 | 100 | - | 287, 292 |
| 660017 | | 1 | 100 | - | 287 |
| 660018 | | 1 | 100 | - | 287 |
| 660019 | | 3.9 | 31.2 | - | 287 |
| 660021 | | 1 | 18 | - | 289 |
| 668010 | | 1 | - | - | 293 |
| 668011 | | 1 | - | - | 293 |
| 668012 | | 1 | - | - | 290, 292, 293 |
| 668013 | | 1 | - | - | 290, 293 |
| 668014 | | 1 | 100 | - | 291–294, 302 |
| 668016 | | 10 | - | - | 291, 293, 302, 331 |
| 668019 | | 1 | - | - | 294 |
| 668020 | | 1 | - | - | 291, 292, 294, 302 |
| 668024 | | 1 | - | - | 291, 292 |
| 668025 | | 1 | - | - | 293 |
| 668026 | | 1 | - | - | 293, 302 |

| Item No. | | DU 1 | DU 2 | DU 3 | Page |
|----------|--|------|------|------|---------------|
| 668027 | | 1 | - | - | 293, 302 |
| 668028 | | 1 | - | - | 293, 302 |
| 668029 | | 1 | - | - | 293 |
| 668030 | | 1 | - | - | 293 |
| 668031 | | 1 | - | - | 293 |
| 668032 | | 1 | - | - | 292–294 |
| 668033 | | 1 | - | - | 290 |
| 668034 | | 1 | 40 | - | 290, 294 |
| 668035 | | 1 | - | - | 294 |
| 668036 | | 1 | - | - | 292 |
| 668037 | | 1 | - | - | 292 |
| 668038 | | 1 | - | - | 292 |
| 668039 | | 1 | - | - | 292 |
| 668040 | | 1 | - | - | 292 |
| 669002 | | 1 | - | - | 355 |
| 669012 | | 1 | 10 | - | 286, 329 |
| 670800 | | 1 | - | - | 255 |
| 670801 | | 1 | - | - | 257 |
| 670802 | | 1 | - | - | 257 |
| 670803 | | 1 | - | - | 257 |
| 670810 | | 1 | - | - | 255 |
| 670812 | | 1 | - | - | 257 |
| 670821 | | 1 | - | - | 256 |
| 670900 | | 1 | - | - | 255 |
| 670901 | | 1 | - | - | 257 |
| 670902 | | 1 | - | - | 257 |
| 670903 | | 1 | - | - | 257 |
| 670910 | | 1 | - | - | 255 |
| 670912 | | 1 | - | - | 257 |
| 670921 | | 1 | - | - | 256 |
| 671000 | | 1 | - | - | 255, 263 |
| 671001 | | 1 | - | - | 257 |
| 671002 | | 1 | - | - | 257 |
| 671003 | | 1 | - | - | 257 |
| 671010 | | 1 | - | - | 255 |
| 671012 | | 1 | - | - | 257 |
| 671021 | | 1 | - | - | 256, 264 |
| 671200 | | 1 | - | - | 255 |
| 671201 | | 1 | - | - | 257 |
| 671202 | | 1 | - | - | 257 |
| 671203 | | 1 | - | - | 257 |
| 671210 | | 1 | - | - | 255 |
| 671212 | | 1 | - | - | 257 |
| 671221 | | 1 | - | - | 256 |
| 671600 | | 1 | - | - | 255 |
| 671621 | | 1 | - | - | 256 |
| 673001 | | 1 | - | - | 258, 263, 264 |
| 673002 | | 1 | - | - | 259 |
| 673003 | | 1 | - | - | 260 |
| 674000 | | 1 | 50 | - | 261, 263, 264 |

| Item No. | | DU 1 | DU 2 | DU 3 | Page |
|----------|-----|------|------|------|--------------------|
| 674001 | | 1 | 18 | - | 261 |
| 674002 | | 1 | - | - | 261 |
| 674006 | | 1 | 40 | - | 261 |
| 675000 | | 1 | - | - | 263, 264, 268 |
| 675001 | | 1 | - | - | 264 |
| 675004 | | 1 | - | - | 263, 264, 266, 267 |
| 675005 | | 1 | - | - | 266, 267 |
| 675006 | | 1 | - | - | 263, 264, 266 |
| 675008 | | 1 | - | - | 266 |
| 675009 | | 1 | - | - | 263, 264, 266, 267 |
| 675010 | | 1 | - | - | 265 |
| 675011 | | 1 | - | - | 265 |
| 675012 | | 1 | - | - | 265 |
| 675013 | | 1 | - | - | 265 |
| 675014 | | 1 | - | - | 265 |
| 675015 | | 1 | - | - | 265 |
| 675016 | | 1 | 8 | - | 263, 264, 266, 267 |
| 675017 | | 1 | - | - | 267 |
| 675018 | | 1 | - | - | 267 |
| 675019 | | 1 | - | - | 265, 268 |
| 675022 | | 1 | - | - | 263, 264 |
| 675024 | | 1 | - | - | 264, 265, 268 |
| 675025 | | 1 | - | - | 265 |
| 679000 | | 1 | - | - | 354 |
| 679012 | | 1 | - | - | 354 |
| 3601050 | | 1 | 112 | - | 306 |
| 3601100 | | 1 | 84 | - | 306 |
| 3601102 | | 1 | 84 | - | 308 |
| 3601104 | | 1 | 24 | - | 313 |
| 3601105 | | 1 | 84 | - | 307 |
| 3601106 | | 1 | 84 | - | 309 |
| 3601107 | | 1 | 24 | - | 314 |
| 3601108 | NEW | 1 | 84 | - | 309 |
| 3601200 | | 1 | 84 | - | 310 |
| 3601202 | | 1 | 84 | - | 311 |
| 3601300 | | 1 | 60 | - | 312 |
| 3601400 | | 1 | 120 | - | 315 |
| 3601401 | | 1 | 120 | - | 316 |
| 3601404 | | 1 | 120 | - | 315 |
| 3601500 | | 1 | 72 | - | 316 |
| 3601600 | | 1 | 48 | - | 317 |
| 3603500 | | 1 | 72 | - | 317 |
| 3603600 | | 1 | 48 | - | 318 |
| 3607500 | | 1 | 81 | - | 318 |
| 3607600 | | 1 | 48 | - | 319 |
| 3660001 | | 1 | - | - | 320 |
| 3660002 | | 1 | - | - | 321 |
| 3660003 | | 1 | - | - | 322 |

| Item No. | | DU 1 | DU 2 | DU 3 | Page |
|----------|------|------|------|------|----------|
| 3660004 | | 1 | - | - | 322 |
| 3660005 | | 1 | - | - | 324 |
| 3660006 | | 1 | - | - | 324 |
| 3660007 | | 1 | - | - | 323 |
| 3660008 | | 1 | - | - | 323 |
| 3660009 | | 1 | - | - | 321 |
| 3660010 | | 1 | - | - | 322 |
| 3660011 | | 1 | - | - | 320 |
| 3660013 | | 1 | - | - | 340 |
| 3660014 | | 1 | - | - | 340 |
| 3660016 | | 1 | - | - | 320 |
| 3660018 | | 1 | - | - | 324 |
| 3660019 | | 1 | - | - | 324 |
| 3660020 | | 1 | - | - | 321 |
| 3660021 | | 1 | - | - | 323 |
| 3665000 | | 1 | - | - | 325 |
| 3665001 | | 1 | - | - | 325 |
| 3665002 | | 1 | - | - | 325 |
| 3665003 | | 1 | - | - | 325 |
| 3665006 | | 1 | - | - | 326 |
| 3665009 | | 1 | - | - | 326 |
| 3690000 | | 1 | 70 | 1120 | 286, 329 |
| 3690001 | | 1 | 70 | 1120 | 286, 329 |
| 3690002 | | 1 | 70 | 1120 | 286, 329 |
| 3690003 | | 1 | - | - | 328 |
| 3690004 | | 1 | - | - | 327 |
| 3690005 | | 1 | 60 | - | 329, 341 |
| 3690006 | | 1 | - | - | 328 |
| 3690007 | | 1 | 10 | - | 329 |
| 3690050 | | 1 | 50 | - | 327 |
| 3690070 | | 1 | 10 | - | 327 |
| 3690100 | | 1 | 10 | - | 327 |
| 3695000 | | 1 | - | - | 331 |
| 3695001 | | 1 | - | - | 331 |
| 3695002 | | 1 | - | - | 329 |
| 3695003 | | 1 | - | - | 331, 332 |
| 3695004 | | 1 | - | - | 331 |
| 3695005 | | 1 | - | - | 329 |
| 3695006 | | 1 | - | - | 329 |
| 3695007 | | 1 | 60 | - | 328 |
| 9000000 | | 18 | 630 | 1890 | 226 |
| 9010002 | | 30 | 5400 | - | 226 |
| 9010003 | | 10 | - | - | 237 |
| 9010009 | | 5 | 2700 | - | 237 |
| 9018002 | | 6 | 1176 | - | 236 |
| 9018007 | | 100 | 500 | - | 237 |
| 9018011 | | 2 | 200 | - | 236 |
| 9018012 | | 1 | 15 | 1200 | 241 |
| 9020004 | | 1 | 4 | - | 234 |
| 9020019 | SALE | 1 | 10 | - | 233 |

Article quick search

Quick search

| Item No. | | DU 1 | DU 2 | DU 3 | Page |
|----------|------|------|------|------|-------------------------|
| 9020033 | | 1 | 75 | - | 229 |
| 9020034 | | 1 | 50 | - | 229 |
| 9020036 | | 1 | 60 | - | 233 |
| 9020038 | | 1 | - | - | 231 |
| 9020040 | SALE | 1 | 10 | - | 232 |
| 9020041 | SALE | 1 | 10 | - | 233 |
| 9020046 | | 1 | 4 | - | 234 |
| 9020048 | | 1 | 100 | - | 230 |
| 9020049 | | 1 | - | - | 229 |
| 9020050 | SALE | 1 | 10 | - | 229 |
| 9020051 | | 1 | 4 | - | 234 |
| 9020052 | SALE | 1 | 4 | - | 234 |
| 9020054 | | 1 | 40 | - | 230 |
| 9020060 | NEW | 1 | 10 | - | 232 |
| 9020061 | NEW | 1 | 10 | - | 232 |
| 9021017 | | 1 | 10 | - | 234 |
| 9021019 | | 50 | 200 | - | 227 |
| 9021021 | | 1 | 10 | - | 234 |
| 9021022 | SALE | 1 | 20 | - | 234 |
| 9021032 | | 1 | 35 | - | 20 |
| 9030002 | | 10 | 1800 | - | 226 |
| 9030011 | | 5 | 900 | - | 227 |
| 9030013 | | 2 | 250 | - | 227 |
| 9030017 | | 1 | - | - | 238 |
| 9030024 | | 1 | 10 | - | 206 |
| 9030026 | | 1 | - | - | 207 |
| 9030028 | | 1 | - | - | 154, 171 |
| 9030029 | | 1 | - | - | 63, 66, 68, 72, 82, 207 |
| 9030030 | | 2 | - | - | 238 |
| 9030031 | | 5 | - | - | 238 |
| 9040001 | | 10 | 4000 | - | 237 |
| 9040004 | | 10 | 3200 | - | 237 |
| 9041029 | | 1 | - | - | 154 |
| 9041306 | | 1 | 10 | - | 228 |
| 9041308 | | 1 | 30 | - | 200 |
| 9042003 | | 1 | - | - | 151, 235 |
| 9042005 | | 1 | 50 | - | 235 |
| 9042008 | | 1 | 10 | - | 130 |
| 9042010 | | 1 | 10 | - | 129 |
| 9042011 | | 1 | 10 | - | 129 |
| 9042012 | | 1 | 10 | - | 129 |
| 9042013 | | 1 | 10 | - | 129 |
| 9042016 | | 1 | 10 | - | 129 |
| 9042017 | | 1 | 10 | - | 129 |
| 9042018 | | 1 | 10 | - | 129 |
| 9080001 | | 1 | 30 | - | 159 |
| 9140000 | | 4 | 20 | - | 238 |
| 9150000 | | 1 | - | - | 233 |
| 9200000 | | 30 | 60 | - | 239 |

| Item No. | | DU 1 | DU 2 | DU 3 | Page |
|----------|-----|------|------|------|---------------|
| 9200001 | | 5 | 20 | - | 239 |
| 9200002 | | 250 | 4500 | - | 239 |
| 9200010 | | 1 | 10 | 50 | 158, 187, 208 |
| 9200012 | | 1 | 24 | - | 199 |
| 9200013 | | 1 | 30 | 60 | 239 |
| 9200014 | | 1 | 10 | - | 239 |
| 9200017 | | 1 | 10 | - | 240 |
| 9221011 | | 1 | - | - | 207 |
| 9221013 | | 1 | - | - | 207, 241 |
| 9240354 | | 1 | - | - | 78 |
| 9240355 | | 1 | - | - | 78 |
| 9240356 | | 1 | - | - | 79 |
| 9240357 | | 1 | - | - | 79 |
| 9240360 | | 1 | - | - | 80 |
| 9240400 | | 1 | 10 | - | 81 |
| 9240401 | | 1 | 10 | - | 81 |
| 9240402 | | 1 | 10 | - | 81 |
| 9240403 | | 1 | 10 | - | 81 |
| 9240405 | | 1 | 10 | - | 81 |
| 9240407 | | 1 | 10 | - | 81 |
| 9240410 | | 1 | 10 | - | 67, 72, 81 |
| 9240411 | | 1 | 10 | - | 67, 72, 81 |
| 9240412 | | 1 | 10 | - | 67, 72, 81 |
| 9240415 | | 1 | 10 | - | 67, 72, 81 |
| 9240416 | | 1 | 10 | - | 73 |
| 9240417 | | 1 | 10 | - | 81 |
| 9240418 | | 1 | 10 | - | 81 |
| 9240419 | | 1 | 10 | - | 81 |
| 9240422 | | 1 | 10 | - | 81 |
| 9240423 | | 1 | 10 | - | 81 |
| 9240430 | | 1 | 10 | - | 73 |
| 9240431 | | 1 | 10 | - | 73 |
| 9240432 | | 1 | 10 | - | 73 |
| 9240433 | | 1 | 10 | - | 73 |
| 9240434 | | 1 | 10 | - | 73 |
| 9240435 | | 1 | 10 | - | 73 |
| 9240436 | | 1 | 10 | - | 73 |
| 9240437 | | 1 | 10 | - | 73 |
| 9240438 | | 1 | 10 | - | 73 |
| 9240440 | | 1 | 10 | - | 74 |
| 9240441 | | 1 | 10 | - | 74 |
| 9240442 | | 1 | - | - | 73, 106 |
| 9240443 | | 1 | - | - | 77 |
| 9240444 | NEW | 1 | 10 | - | 73 |
| 9240445 | NEW | 1 | 10 | - | 73 |
| 9240446 | NEW | 1 | 10 | - | 73 |
| 9240447 | NEW | 1 | 10 | - | 73 |
| 9240451 | | 1 | - | - | 76 |
| 9240452 | | 1 | - | - | 76 |
| 9240453 | | 1 | - | - | 76 |

| Item No. | | DU 1 | DU 2 | DU 3 | Page |
|----------|--|------|------|------|------|
| 9240454 | | 1 | - | - | 76 |
| 9240455 | | 1 | - | - | 76 |
| 9240461 | | 1 | - | - | 75 |
| 9240462 | | 1 | - | - | 75 |
| 9240463 | | 1 | - | - | 75 |
| 9240464 | | 1 | - | - | 75 |
| 9240465 | | 1 | - | - | 75 |
| 9240490 | | 1 | 10 | - | 350 |
| 9240491 | | 1 | 10 | - | 350 |
| 9240492 | | 1 | 10 | - | 348 |
| 9240493 | | 1 | 10 | - | 348 |
| 9240494 | | 1 | 10 | - | 348 |
| 9240495 | | 1 | 10 | - | 348 |
| 9240511 | | 1 | - | - | 349 |
| 9240515 | | 1 | - | - | 349 |
| 9240516 | | 1 | - | - | 349 |
| 9240517 | | 1 | - | - | 349 |
| 9240518 | | 1 | - | - | 349 |
| 9240519 | | 1 | - | - | 349 |
| 9240522 | | 1 | - | - | 351 |
| 9240524 | | 1 | - | - | 349 |
| 9240525 | | 1 | - | - | 349 |
| 9240528 | | 1 | 10 | - | 349 |
| 9240530 | | 1 | 10 | - | 348 |
| 9240531 | | 1 | 10 | - | 348 |
| 9240532 | | 1 | 10 | - | 348 |
| 9240536 | | 1 | 10 | - | 348 |
| 9240537 | | 1 | 10 | - | 348 |
| 9240538 | | 1 | 10 | - | 348 |
| 9240540 | | 1 | 10 | - | 349 |
| 9240542 | | 1 | 10 | - | 349 |
| 9240543 | | 1 | - | - | 351 |
| 9240544 | | 1 | - | - | 351 |
| 9240550 | | 1 | 10 | - | 349 |
| 9240551 | | 1 | 10 | - | 349 |
| 9240555 | | 1 | 10 | - | 350 |
| 9240556 | | 1 | 10 | - | 350 |
| 9240557 | | 1 | 10 | - | 350 |
| 9240558 | | 1 | 10 | - | 350 |
| 9240560 | | 1 | 10 | - | 348 |
| 9240561 | | 1 | 10 | - | 348 |
| 9240562 | | 1 | 10 | - | 348 |
| 9240564 | | 1 | 10 | - | 348 |
| 9240565 | | 1 | - | - | 348 |
| 9240567 | | 1 | - | - | 348 |
| 9240568 | | 1 | 10 | - | 348 |
| 9240571 | | 1 | 10 | - | 350 |
| 9240572 | | 1 | 10 | - | 350 |
| 9240574 | | 1 | 10 | - | 350 |
| 9240581 | | 1 | - | - | 350 |

| Item No. | | DU 1 | DU 2 | DU 3 | Page |
|----------|--|------|------|------|--------------------|
| 9240583 | | 1 | 10 | - | 349 |
| 9240584 | | 1 | 10 | - | 349 |
| 9240586 | | 1 | 10 | - | 349 |
| 9240587 | | 1 | 10 | - | 349 |
| 9240588 | | 1 | 10 | - | 349 |
| 9240589 | | 1 | 10 | - | 349 |
| 9240590 | | 1 | - | - | 348 |
| 9240592 | | 1 | - | - | 348 |
| 9240594 | | 1 | 10 | - | 350 |
| 9240595 | | 1 | 10 | - | 350 |
| 9240597 | | 1 | 10 | - | 349 |
| 9240598 | | 1 | 10 | - | 349 |
| 9240612 | | 1 | 10 | - | 69 |
| 9240613 | | 1 | 10 | - | 69 |
| 9240614 | | 1 | 10 | - | 69 |
| 9240615 | | 1 | 10 | - | 69 |
| 9240616 | | 1 | 10 | - | 69 |
| 9240617 | | 1 | 10 | - | 69 |
| 9240618 | | 1 | 10 | - | 69 |
| 9240619 | | 1 | 10 | - | 69 |
| 9240631 | | 1 | 10 | - | 70 |
| 9240643 | | 1 | 10 | 320 | 63, 66, 68, 72, 82 |
| 9240644 | | 1 | 20 | - | 63, 66, 67, 72, 82 |
| 9240645 | | 1 | 10 | 320 | 63, 66, 68, 72, 82 |
| 9240646 | | 1 | 20 | - | 63, 66, 67, 72, 82 |
| 9240647 | | 1 | 20 | - | 63, 66, 67, 72, 82 |
| 9240648 | | 1 | 20 | - | 63, 66, 67, 72, 82 |
| 9240649 | | 1 | 20 | - | 63, 66, 67, 72, 82 |
| 9240650 | | 1 | 10 | - | 70 |
| 9240654 | | 1 | 10 | - | 70 |
| 9240655 | | 1 | 10 | - | 70 |
| 9240656 | | 1 | 10 | - | 70 |
| 9240657 | | 1 | 10 | - | 70 |
| 9240659 | | 1 | 10 | - | 70 |
| 9240660 | | 1 | 10 | - | 70 |
| 9240663 | | 1 | 10 | - | 69 |
| 9240664 | | 1 | 10 | - | 69 |
| 9240665 | | 1 | 10 | - | 69 |
| 9240666 | | 1 | 10 | - | 69 |
| 9240667 | | 1 | 10 | - | 69 |
| 9240668 | | 1 | 10 | - | 69 |
| 9240669 | | 1 | 10 | - | 69 |
| 9240671 | | 1 | 10 | - | 69 |
| 9240674 | | 1 | 10 | - | 69 |
| 9240675 | | 1 | 10 | - | 69 |

Quick search

Article quick search

| Item No. | | DU 1 | DU 2 | DU 3 | Page |
|----------|--|------|------|------|------|
| 9240678 | | 1 | 10 | - | 69 |
| 9240679 | | 1 | 10 | - | 69 |
| 9240700 | | 1 | 10 | - | 83 |
| 9240701 | | 1 | 10 | - | 83 |
| 9240702 | | 1 | 10 | - | 83 |
| 9240723 | | 1 | 10 | - | 83 |
| 9240730 | | 1 | 10 | - | 67 |
| 9240731 | | 1 | 10 | - | 67 |
| 9240732 | | 1 | 10 | - | 67 |
| 9240733 | | 1 | 10 | - | 67 |
| 9240734 | | 1 | 10 | - | 67 |
| 9240735 | | 1 | 10 | - | 67 |
| 9240740 | | 1 | 10 | - | 349 |
| 9240741 | | 1 | 10 | - | 349 |
| 9240742 | | 1 | 10 | - | 349 |
| 9240800 | | 1 | 10 | - | 65 |
| 9240801 | | 1 | 10 | - | 65 |
| 9240802 | | 1 | 10 | - | 65 |
| 9240806 | | 1 | 10 | - | 65 |
| 9240807 | | 1 | 10 | - | 65 |
| 9240809 | | 1 | 10 | - | 65 |
| 9240824 | | 1 | 10 | - | 65 |
| 9240825 | | 1 | 10 | - | 65 |
| 9240826 | | 1 | 10 | - | 65 |
| 9240827 | | 1 | 10 | - | 65 |
| 9240830 | | 1 | 10 | - | 64 |
| 9240831 | | 1 | 10 | - | 64 |
| 9240832 | | 1 | 10 | - | 64 |
| 9240833 | | 1 | 10 | - | 64 |
| 9240834 | | 1 | 10 | - | 64 |
| 9240839 | | 1 | 10 | - | 64 |
| 9240843 | | 1 | 10 | - | 64 |
| 9240845 | | 1 | 10 | - | 64 |
| 9240846 | | 1 | 10 | - | 64 |
| 9240847 | | 1 | 10 | - | 64 |
| 9240848 | | 1 | 10 | - | 64 |
| 9240908 | | 1 | 10 | - | 350 |
| 9240912 | | 1 | 10 | - | 349 |
| 9240913 | | 1 | 10 | - | 349 |
| 9240920 | | 1 | 10 | - | 71 |
| 9240921 | | 1 | 10 | - | 71 |
| 9240922 | | 1 | 10 | - | 71 |
| 9240924 | | 1 | 10 | - | 71 |
| 9240925 | | 1 | 10 | - | 71 |
| 9240926 | | 1 | 10 | - | 71 |
| 9240927 | | 1 | 10 | - | 71 |
| 9240935 | | 1 | 10 | - | 71 |
| 9240936 | | 1 | 10 | - | 71 |
| 9240937 | | 1 | 10 | - | 71 |
| 9240938 | | 1 | 10 | - | 71 |

| Item No. | | DU 1 | DU 2 | DU 3 | Page |
|----------|-----|------|------|------|--------------------------|
| 9240939 | NEW | 1 | 10 | - | 71 |
| 9240951 | | 1 | - | - | 50, 51, 54, 86, 159, 209 |
| 9240952 | | 1 | - | - | 86, 160, 209 |
| 9240960 | | 1 | - | - | 62 |
| 9240961 | | 1 | - | - | 62 |
| 9240971 | | 1 | 30 | - | 63 |
| 9240976 | | 1 | - | - | 84 |
| 9240977 | | 1 | - | - | 84 |
| 9240978 | | 1 | - | - | 84 |
| 9240979 | | 1 | - | - | 84 |
| 9240980 | | 1 | - | - | 84 |
| 9240981 | | 1 | - | - | 85 |
| 9240982 | | 1 | - | - | 85 |
| 9240983 | | 1 | - | - | 85 |
| 9240984 | | 1 | - | - | 85 |
| 9240999 | | 1 | - | - | 85 |
| 9242040 | | 1 | - | - | 101 |
| 9242041 | | 1 | - | - | 101 |
| 9242042 | | 1 | - | - | 101 |
| 9242064 | | 1 | 15 | - | 99 |
| 9242065 | | 1 | 15 | - | 99 |
| 9242066 | | 1 | 15 | - | 100 |
| 9242067 | | 1 | 15 | - | 100 |
| 9242068 | | 1 | 15 | - | 98 |
| 9242072 | | 1 | 15 | - | 100 |
| 9242073 | | 1 | 15 | - | 100 |
| 9242074 | | 1 | 15 | - | 100 |
| 9242075 | | 1 | 15 | - | 100 |
| 9242076 | | 1 | 15 | - | 100 |
| 9242077 | | 1 | 15 | - | 100 |
| 9242081 | | 1 | 15 | - | 99 |
| 9242082 | | 1 | 15 | - | 99 |
| 9242083 | | 1 | 15 | - | 99 |
| 9242084 | | 1 | 15 | - | 99 |
| 9242085 | | 1 | 15 | - | 99 |
| 9242086 | | 1 | 15 | - | 99 |
| 9242091 | | 1 | 10 | - | 98 |
| 9242092 | | 1 | 10 | - | 98 |
| 9242350 | | 1 | 10 | - | 107 |
| 9242351 | | 1 | 10 | - | 107 |
| 9242352 | | 1 | 10 | - | 107 |
| 9242353 | | 1 | 10 | - | 107 |
| 9242354 | | 1 | 10 | - | 107 |
| 9242355 | | 1 | 10 | - | 107 |
| 9242356 | | 1 | 10 | - | 107 |
| 9242357 | | 1 | 10 | - | 107 |
| 9242400 | | 1 | 15 | - | 109 |
| 9242401 | | 1 | 15 | - | 109 |
| 9242402 | | 1 | 15 | - | 109 |

| Item No. | | DU 1 | DU 2 | DU 3 | Page |
|----------|--|------|------|------|---------------|
| 9242403 | | 1 | 15 | - | 109 |
| 9242405 | | 1 | 15 | - | 109 |
| 9242406 | | 1 | 15 | - | 109 |
| 9242407 | | 1 | 15 | - | 109 |
| 9242430 | | 1 | 15 | - | 106 |
| 9242431 | | 1 | 15 | - | 106 |
| 9242432 | | 1 | 15 | - | 106 |
| 9242433 | | 1 | 15 | - | 106 |
| 9242434 | | 1 | 15 | - | 106 |
| 9242435 | | 1 | 15 | - | 106 |
| 9242511 | | 1 | - | - | 353 |
| 9242515 | | 1 | - | - | 353 |
| 9242516 | | 1 | - | - | 353 |
| 9242517 | | 1 | - | - | 353 |
| 9242518 | | 1 | - | - | 353 |
| 9242522 | | 1 | - | - | 353 |
| 9242524 | | 1 | - | - | 353 |
| 9242525 | | 1 | - | - | 353 |
| 9242530 | | 1 | - | - | 352 |
| 9242531 | | 1 | - | - | 352 |
| 9242532 | | 1 | - | - | 352 |
| 9242533 | | 1 | 10 | - | 352 |
| 9242534 | | 1 | 10 | - | 352 |
| 9242535 | | 1 | 10 | - | 352 |
| 9242536 | | 1 | - | - | 353 |
| 9242537 | | 1 | - | - | 353 |
| 9242538 | | 1 | - | - | 353 |
| 9242540 | | 1 | 10 | - | 352 |
| 9242574 | | 1 | 15 | - | 353 |
| 9242600 | | 1 | 15 | - | 105 |
| 9242625 | | 1 | 15 | - | 105 |
| 9242626 | | 1 | 15 | - | 105 |
| 9242627 | | 1 | 15 | - | 105 |
| 9242646 | | 1 | 40 | - | 103, 105, 109 |
| 9242647 | | 1 | 40 | - | 103, 105, 109 |
| 9242648 | | 1 | 40 | - | 103, 105, 109 |
| 9242649 | | 1 | 40 | - | 103, 105, 109 |
| 9242650 | | 1 | 15 | - | 104 |
| 9242654 | | 1 | 15 | - | 104 |
| 9242655 | | 1 | 15 | - | 104 |
| 9242656 | | 1 | 15 | - | 104 |
| 9242657 | | 1 | 15 | - | 104 |
| 9242659 | | 1 | 15 | - | 104 |
| 9242660 | | 1 | 15 | - | 104 |
| 9242661 | | 1 | 15 | - | 104 |
| 9242663 | | 1 | 15 | - | 104 |
| 9242800 | | 1 | 15 | - | 102 |
| 9242801 | | 1 | 15 | - | 102 |
| 9242802 | | 1 | 15 | - | 102 |
| 9242806 | | 1 | 15 | - | 102 |

| Item No. | | DU 1 | DU 2 | DU 3 | Page |
|----------|------|------|------|------|----------|
| 9242807 | | 1 | 15 | - | 102 |
| 9242809 | | 1 | 15 | - | 102 |
| 9242810 | | 1 | 10 | - | 102 |
| 9242811 | | 1 | 10 | - | 102 |
| 9242812 | | 1 | 10 | - | 102 |
| 9242813 | | 1 | 10 | - | 102 |
| 9242814 | | 1 | 10 | - | 102 |
| 9242903 | | 1 | 10 | - | 353 |
| 9242904 | | 1 | 10 | - | 353 |
| 9242906 | | 1 | 15 | - | 353 |
| 9242920 | | 1 | - | - | 352 |
| 9242921 | | 1 | - | - | 352 |
| 9242925 | | 1 | - | - | 352 |
| 9242930 | | 1 | - | - | 352 |
| 9242939 | | 1 | - | - | 352 |
| 9242942 | | 1 | 10 | - | 352 |
| 9242943 | | 1 | 10 | - | 352 |
| 9300291 | | 1 | 10 | 20 | 126 |
| 9300300 | | 1 | 10 | 20 | 122 |
| 9300301 | | 1 | 10 | 20 | 125 |
| 9300302 | | 1 | 10 | 60 | 123 |
| 9300303 | | 1 | 10 | 20 | 131 |
| 9300309 | | 1 | 10 | 20 | 128 |
| 9300322 | | 1 | 10 | 20 | 124 |
| 9300344 | SALE | 1 | 10 | 20 | 127 |
| 9300379 | | 1 | 10 | 20 | 133 |
| 9300388 | | 1 | 10 | 20 | 132 |
| 9300500 | | 1 | 10 | - | 135 |
| 9300501 | | 1 | 10 | - | 136 |
| 9300502 | | 1 | 10 | - | 137 |
| 9300600 | | 1 | 15 | 30 | 134 |
| 9310000 | | 1 | 14 | 28 | 138 |
| 9310002 | | 1 | 14 | 28 | 143 |
| 9310004 | | 1 | 14 | 28 | 140 |
| 9310017 | | 1 | 10 | 20 | 142 |
| 9310018 | | 1 | 14 | 28 | 139 |
| 9310019 | | 1 | 14 | 28 | 141 |
| 9320008 | | 1 | 14 | 28 | 145 |
| 9320010 | | 1 | 14 | 28 | 146 |
| 9320013 | | 1 | 14 | 28 | 144 |
| 9330000 | | 1 | 14 | 28 | 149 |
| 9330005 | | 1 | 14 | 28 | 150 |
| 9340000 | SALE | 1 | 14 | 28 | 147 |
| 9340002 | NEW | 1 | 14 | 28 | 148 |
| 9360000 | | 1 | 14 | 28 | 151, 235 |
| 9370021 | | 1 | - | - | 205 |
| 9370032 | | 1 | 50 | - | 204 |
| 9370033 | | 1 | - | - | 204 |
| 9370040 | | 1 | - | - | 205 |
| 9370045 | | 1 | 50 | - | 205 |

Quick search

Article quick search

| Item No. | | DU 1 | DU 2 | DU 3 | Page |
|----------|--|------|------|------|--------------|
| 9370300 | | 1 | 10 | 20 | 196 |
| 9370500 | | 1 | 10 | - | 201 |
| 9370501 | | 1 | 10 | 20 | 202 |
| 9370502 | | 1 | 10 | - | 203 |
| 9371300 | | 1 | 10 | 20 | 199 |
| 9375300 | | 1 | 10 | 20 | 197 |
| 9375304 | | 1 | 10 | 60 | 198 |
| 9380001 | | 1 | - | - | 153 |
| 9380002 | | 1 | - | - | 153 |
| 9380003 | | 1 | 5 | - | 154 |
| 9380004 | | 1 | - | - | 153 |
| 9380005 | | 1 | 5 | - | 152, 236 |
| 9380006 | | 1 | 5 | - | 152, 236 |
| 9380007 | | 10 | 40 | - | 152 |
| 9380013 | | 1 | - | - | 153 |
| 9380014 | | 1 | 15 | - | 151, 165–167 |
| 9380300 | | 1 | 20 | - | 151 |
| 9380301 | | 1 | 20 | - | 152 |
| 9500393 | | 1 | 8 | 16 | 186 |
| 9510003 | | 1 | 42 | - | 230 |
| 9600100 | | 1 | 6 | 12 | 42 |
| 9600200 | | 1 | 6 | 12 | 43 |
| 9600400 | | 1 | 6 | 12 | 44 |
| 9650000 | | 1 | 20 | - | 45 |
| 9650001 | | 1 | 20 | - | 45 |
| 9650002 | | 1 | 10 | - | 45 |
| 9650003 | | 1 | 10 | - | 45 |
| 9650004 | | 1 | 20 | - | 45 |
| 9650005 | | 1 | 20 | - | 45 |
| 9650100 | | 1 | 20 | - | 46 |
| 9650101 | | 1 | 20 | - | 46 |
| 9650102 | | 1 | 20 | - | 47 |
| 9650103 | | 1 | 20 | - | 47 |
| 9650104 | | 1 | 20 | - | 47 |
| 9650105 | | 1 | 20 | - | 46 |
| 9650106 | | 1 | 20 | - | 46 |
| 9650107 | | 1 | 20 | - | 47 |
| 9650108 | | 1 | 20 | - | 47 |
| 9650109 | | 1 | 20 | - | 46 |
| 9650110 | | 1 | 20 | - | 46 |
| 9650500 | | 1 | - | - | 347 |
| 9650501 | | 1 | - | - | 347 |
| 9650502 | | 1 | - | - | 347 |
| 9650503 | | 1 | - | - | 347 |
| 9650504 | | 1 | - | - | 347 |
| 9650505 | | 1 | - | - | 347 |
| 9650553 | | 1 | - | - | 347 |
| 9650554 | | 1 | - | - | 347 |
| 9660000 | | 1 | - | - | 48 |
| 9660001 | | 1 | - | - | 48 |

| Item No. | | DU 1 | DU 2 | DU 3 | Page |
|----------|-----|------|------|------|---|
| 9660002 | | 1 | - | - | 48 |
| 9700200 | | 1 | 4 | 8 | 13 |
| 9700201 | | 1 | 4 | 8 | 15 |
| 9700205 | | 1 | 4 | 8 | 9 |
| 9700207 | | 1 | 4 | 8 | 11 |
| 9700209 | | 1 | 6 | - | 33 |
| 9700212 | NEW | 1 | 4 | 8 | 14 |
| 9700213 | NEW | 1 | 4 | 8 | 8 |
| 9700214 | NEW | 1 | 4 | 8 | 10 |
| 9700215 | NEW | 1 | 4 | 8 | 32 |
| 9700216 | NEW | 1 | 4 | 8 | 12 |
| 9700600 | | 1 | 5 | - | 16, 34 |
| 9700603 | | 1 | 5 | - | 16, 34 |
| 9700605 | | 1 | - | - | 21–25 |
| 9700606 | | 1 | - | - | 17, 22–25 |
| 9700608 | | 1 | - | - | 17, 22–25 |
| 9700620 | | 1 | 20 | - | 17 |
| 9700621 | | 1 | 20 | - | 17 |
| 9700625 | | 1 | - | - | 21 |
| 9810003 | | 1 | - | - | 80, 108 |
| 9810004 | | 1 | - | - | 80, 108 |
| 9810010 | | 1 | - | - | 163 |
| 9810012 | | 1 | - | - | 62, 77 |
| 9820000 | | 1 | - | - | 162, 212 |
| 9820005 | | 1 | - | - | 53, 162, 163, 176, 177, 189, 212, 217, 244 |
| | | | | | 50, 54, 164, 166–168, 178, |
| 9820011 | | 1 | - | - | 189–191, 213, 214, 218, 219, 242, 243 |
| 9820012 | | 1 | - | - | 54, 178–181, 190, 191, 218–220, 243 |
| 9820013 | | 1 | - | - | 54, 178–181, 190, 191, 218–220, 243 |
| 9820014 | | 1 | - | - | 54, 178, 179, 181, 190, 191, 218–220, 243 |
| | | | | | 50, 51, 54, 164–170, 178–181, 189–191, 213–215, 218–220, 242, 243 |
| 9820015 | | 1 | - | - | 54, 178–180, 191, 218–220, 243 |
| 9820016 | | 1 | - | - | 54, 178–180, 191, 218–220, 243 |

| Item No. | DU 1 | DU 2 | DU 3 | Page |
|----------|------|------|------|---|
| 9820017 | 1 | - | - | 178–180, 191, 218–220, 243 |
| 9820018 | 1 | - | - | 162, 178–180, 191, 212, 219, 220, 243 |
| 9820019 | 1 | - | - | 162, 178–180, 191, 212, 219, 220, 243 |
| 9820020 | 1 | - | - | 91, 93, 162, 163, 212 |
| 9820021 | 1 | - | - | 91 |
| 9820022 | 1 | - | - | 88–90, 93, 162, 178–180, 191, 212, 219, 220, 243 |
| 9820024 | 1 | - | - | 91, 162, 163, 212 |
| 9820025 | 1 | - | - | 54, 162, 163, 178–180, 191, 212, 219, 220, 243 |
| 9820026 | 1 | - | - | 54, 162, 178–180, 191, 212, 219, 220, 243 |
| 9820027 | 1 | - | - | 178–180, 191, 218–220, 243 |
| 9820030 | 1 | - | - | 86 |
| 9820031 | 1 | - | - | 112, 113, 182, 221, 244 |
| 9820034 | 1 | - | - | 170–172, 175, 242 |
| 9820035 | 1 | - | - | 170–172, 175, 242 |
| 9820037 | 1 | - | - | 242 |
| 9820040 | 1 | - | - | 50, 51, 164–168, 189 |
| 9820042 | 1 | - | - | 169, 170, 215 |
| 9820043 | 1 | - | - | 50, 51, 164–167, 189, 213 |
| 9820047 | 1 | - | - | 175 |
| 9820048 | 1 | - | - | 213, 214 |
| 9820049 | 1 | - | - | 213, 214 |
| 9820050 | 1 | - | - | 213 |
| 9820051 | 1 | - | - | 213, 214 |
| 9820054 | 1 | - | - | 244 |
| 9820055 | 1 | - | - | 159, 173, 208, 242 |
| 9820057 | 1 | 250 | - | 50, 51, 155, 164–170, 187, 189, 207, 213–215, 242 |

| Item No. | DU 1 | DU 2 | DU 3 | Page |
|----------|------|------|------|--|
| 9820059 | 1 | - | - | 170–172, 175, 242 |
| 9820065 | 1 | - | - | 242 |
| 9820066 | 1 | - | - | 242 |
| 9820067 | 1 | - | - | 170–172 |
| 9820070 | 1 | - | - | 171 |
| 9820071 | 1 | - | - | 50, 51, 175 |
| 9820073 | 1 | - | - | 214 |
| 9820074 | 1 | - | - | 173, 242 |
| 9820075 | 1 | - | - | 173, 242 |
| 9820076 | 1 | - | - | 173, 242 |
| 9820078 | 1 | - | - | 155, 167 |
| 9820079 | 1 | - | - | 174 |
| 9820080 | 1 | - | - | 91, 113 |
| 9820085 | 1 | - | - | 113 |
| 9820086 | 1 | - | - | 113 |
| 9820087 | 1 | - | - | 113 |
| 9820088 | 1 | - | - | 113 |
| 9820089 | 1 | - | - | 113 |
| 9820090 | 1 | - | - | 113 |
| 9820091 | 1 | - | - | 91, 113 |
| 9820092 | 1 | - | - | 91, 92, 113 |
| 9820093 | 1 | - | - | 113 |
| 9820094 | 1 | - | - | 91–93, 113 |
| 9820095 | 1 | - | - | 110 |
| 9820096 | 1 | - | - | 174, 175 |
| 9820097 | 1 | - | - | 113 |
| 9820098 | 1 | - | - | 113 |
| 9820099 | 1 | - | - | 165, 179 |
| 9820100 | 1 | - | - | 165, 213 |
| 9820101 | 1 | - | - | 165 |
| 9820103 | 1 | - | - | 164, 166–168, 189, 213, 214, 242 |
| 9820107 | 1 | - | - | 168 |
| 9820125 | 1 | - | - | 244 |
| 9820126 | 1 | - | - | 155, 167 |
| 9820127 | 1 | - | - | 155, 167 |
| 9820128 | 1 | - | - | 237 |
| 9820133 | 1 | - | - | 242 |
| 9820134 | 1 | - | - | 50, 154, 164–168, 189 |
| 9820135 | 1 | - | - | 213, 214, 242 |
| 9820136 | 1 | 500 | - | 50, 51, 155, 164–168, 170, 189, 208, 213, 214, 242 |
| 9820137 | 1 | 10 | - | 155, 208 |

Article quick search

| Item No. | DU 1 | DU 2 | DU 3 | Page |
|----------|------|------|------|---|
| 9820139 | 1 | - | - | 50, 51, 164–170, 189, 213–215, 242 |
| 9820140 | 1 | - | - | 91–93 |
| 9820143 | 1 | - | - | 214 |
| 9820144 | 1 | - | - | 214 |
| 9820145 | 1 | - | - | 169, 170 |
| 9820146 | 1 | - | - | 215 |
| 9820147 | 1 | - | - | 169, 170 |
| 9820148 | 1 | - | - | 216 |
| 9820149 | 1 | - | - | 215, 216 |
| 9820150 | 1 | - | - | 169, 170, 215 |
| 9820151 | 1 | - | - | 215, 216 |
| 9820152 | 1 | - | - | 215, 216 |
| 9820153 | 1 | - | - | 215 |
| 9820161 | 1 | - | - | 177, 190, 192, 217, 220 |
| 9820163 | 1 | - | - | 181, 192, 220 |
| 9820180 | 1 | - | - | 88, 89, 93, 112, 162, 163, 212 |
| 9820181 | 1 | - | - | 86 |
| 9820188 | 1 | - | - | 190, 218 |
| 9820189 | 1 | - | - | 190, 218 |
| 9820191 | 1 | - | - | 54, 93, 175, 190, 216, 218 |
| 9820192 | 1 | - | - | 190, 218 |
| 9820194 | 1 | - | - | 181, 190, 218, 220 |
| 9820195 | 1 | - | - | 91, 92 |
| 9820196 | 1 | - | - | 88 |
| 9820197 | 1 | - | - | 112 |
| 9820198 | 1 | - | - | 91 |
| 9820199 | 1 | - | - | 91 |
| 9820200 | 1 | - | - | 91 |
| 9820201 | 1 | - | - | 91 |
| 9820202 | 1 | - | - | 90–92 |
| 9820203 | 1 | - | - | 91 |
| 9820204 | 1 | - | - | 92 |
| 9820205 | 1 | - | - | 92 |
| 9820206 | 1 | - | - | 93 |
| 9820213 | 1 | - | - | 182, 221, 244 |
| 9820214 | 1 | - | - | 155, 187, 207 |
| 9820215 | 1 | - | - | 190, 218 |
| 9820216 | 1 | - | - | 181, 190, 218, 220 |
| 9820217 | 1 | - | - | 190, 218 |
| 9820220 | 1 | - | - | 177, 190, 192, 217, 220 |
| 9820221 | 1 | - | - | 190, 218 |

| Item No. | DU 1 | DU 2 | DU 3 | Page |
|----------|------|------|------|---|
| 9820222 | 1 | - | - | 53, 162, 163, 176, 177, 189, 192, 212, 217, 220, 244 |
| 9820223 | 1 | - | - | 48, 54, 160, 162, 163, 178–180, 188, 191, 209, 212, 218–220, 243 |
| 9820224 | 1 | - | - | 190, 218 |
| 9820229 | 1 | - | - | 53, 176, 177, 189, 217, 244 |
| 9820231 | 1 | - | - | 53, 176, 189, 217, 244 |
| 9820233 | 1 | - | - | 53, 162, 163, 176, 177, 189, 212, 217, 244 |
| 9820235 | 1 | - | - | 181 |
| 9820241 | 1 | - | - | 93 |
| 9820245 | 1 | - | - | 244 |
| 9820246 | 1 | - | - | 182, 221 |
| 9820249 | 1 | - | - | 89 |
| 9820253 | 1 | - | - | 89 |
| 9820254 | 1 | - | - | 215 |
| 9820255 | 1 | - | - | 215 |
| 9820256 | 1 | - | - | 215 |
| 9820259 | 1 | - | - | 166 |
| 9820263 | 1 | - | - | 88–91, 93, 162, 175, 212, 216 |
| 9820264 | 1 | - | - | 159, 209, 241 |
| 9820275 | 1 | - | - | 177, 190, 192, 217, 220 |
| 9820285 | 1 | - | - | 51 |
| 9820286 | 1 | - | - | 51 |
| 9820287 | 1 | - | - | 51 |
| 9820288 | 1 | - | - | 51 |
| 9820289 | 1 | - | - | 51 |
| 9820290 | 1 | - | - | 51 |
| 9820291 | 1 | - | - | 52 |
| 9820300 | 1 | - | - | 51 |
| 9820301 | 1 | - | - | 51 |
| 9820302 | 1 | - | - | 51 |
| 9820305 | 1 | - | - | 155, 187, 207 |
| 9820311 | 1 | - | - | 51 |
| 9820312 | 1 | 5 | - | 164, 166, 168, 189, 213, 214, 242 |
| 9820315 | 1 | 20 | - | 154 |
| 9820316 | 1 | 50 | - | 155, 208 |
| 9820317 | 1 | 80 | - | 50, 51, 155 |
| 9820324 | 1 | 10 | - | 208 |

| Item No. | DU 1 | DU 2 | DU 3 | Page |
|----------|------|------|------|---|
| 9820327 | 1 | 10 | - | 91 |
| 9820328 | 1 | - | - | 89 |
| 9820329 | 1 | - | - | 50, 51 |
| 9820330 | 1 | - | - | 50, 51 |
| 9820331 | 1 | - | - | 178, 191, 218, 219, 243 |
| 9820332 | 1 | - | - | 50, 51, 164–175 |
| 9820333 | 1 | - | - | 50, 51, 164–175 |
| 9820335 | 1 | - | - | 50, 51, 164–168, 170–175, 242 |
| 9820337 | 1 | 100 | - | 49, 161–163, 188, 210, 212 |
| 9820338 | 1 | - | - | 159, 208 |
| 9820339 | 1 | - | - | 189 |
| 9820346 | 1 | - | - | 89, 90, 93 |
| 9820347 | 1 | - | - | 88 |
| 9820348 | 1 | - | - | 164–168, 189 |
| 9820349 | 1 | - | - | 93, 175, 216 |
| 9820350 | 1 | - | - | 51 |
| 9820351 | 1 | - | - | 22–29, 35, 52 |
| 9820352 | 1 | - | - | 88 |
| 9820353 | 1 | 10 | 240 | 49, 54, 160, 162, 163, 178–181, 188, 190, 191, 210, 212, 218–220, 243, 245 |
| 9820354 | 1 | - | - | 62 |
| 9820356 | 1 | - | - | 22–29, 35 |
| 9820357 | 1 | - | - | 22–29, 35 |
| 9820360 | 1 | - | - | 22, 23, 26, 27 |
| 9820361 | 1 | - | - | 17, 26, 27 |
| 9820362 | 1 | - | - | 17, 26–29 |
| 9820363 | 1 | - | - | 22–29, 31 |
| 9820364 | 1 | - | - | 22–29 |
| 9820365 | 1 | - | - | 26, 27 |
| 9820369 | 1 | - | - | 88 |
| 9820370 | 1 | - | - | 88 |
| 9820371 | 1 | - | - | 346 |
| 9820372 | 1 | - | - | 54, 162, 178–180, 191, 212, 219, 220, 243 |
| 9820373 | 1 | - | - | 54, 162, 163, 178–181, 191, 212, 218–220, 243 |
| 9820374 | 1 | - | - | 54, 162, 178–180, 191, 212, 218–220, 243 |

| Item No. | DU 1 | DU 2 | DU 3 | Page |
|----------|------|------|------|---|
| 9820375 | 1 | - | - | 181, 190, 218, 220 |
| 9820376 | 1 | - | - | 190, 218 |
| 9820378 | 1 | - | - | 163, 181 |
| 9820381 | 1 | - | - | 163, 181 |
| 9820382 | 1 | - | - | 53, 162, 163, 177, 190, 212, 217, 245 |
| 9820383 | 1 | - | - | 53, 162, 163, 177, 190, 212, 217, 245 |
| 9820390 | 1 | - | - | 88, 90, 111, 112, 162, 163, 212 |
| 9820391 | 1 | - | - | 89 |
| 9820392 | 1 | - | - | 89 |
| 9820393 | 1 | - | - | 89 |
| 9820394 | 1 | - | - | 161, 210 |
| 9820397 | 1 | - | - | 88 |
| 9820398 | 1 | - | - | 53, 177, 190, 217, 245 |
| 9820400 | 1 | - | - | 168 |
| 9820403 | 1 | - | - | 17, 22–29 |
| 9820404 | 1 | - | - | 17, 22–29 |
| 9820405 | 1 | - | - | 17, 22–29 |
| 9820406 | 1 | - | - | 17, 22–29 |
| 9820420 | 1 | - | - | 53, 176, 177, 189, 217, 244 |
| 9820422 | 1 | - | - | 22–29 |
| 9820423 | 1 | - | - | 26, 28, 30, 36 |
| 9820424 | 1 | - | - | 173, 216 |
| 9820425 | 1 | - | - | 52 |
| 9820426 | 1 | - | - | 90 |
| 9820437 | 1 | - | - | 167 |
| 9820439 | 1 | - | - | 181, 220 |
| 9820440 | 1 | - | - | 173, 216 |
| 9820442 | 1 | - | - | 163 |
| 9820443 | 1 | - | - | 163 |
| 9820446 | 1 | - | - | 177, 190, 192, 217, 220 |
| 9820447 | 1 | - | - | 50, 51, 164–175, 189 |
| 9820459 | 1 | - | - | 91, 92 |
| 9820460 | 1 | - | - | 92 |
| 9820461 | 1 | - | - | 236 |
| 9820462 | 1 | - | - | 236 |
| 9820464 | 1 | - | - | 20 |
| 9820465 | 1 | - | - | 26, 28, 30, 36 |
| 9820469 | 1 | - | - | 22–29 |
| 9820470 | 1 | - | - | 173, 216 |
| 9820471 | 1 | - | - | 22–29 |
| 9820472 | 1 | - | - | 163 |
| 9820474 | 1 | - | - | 90 |

Quick search

Article quick search

| Item No. | DU 1 | DU 2 | DU 3 | Page |
|----------|------|------|------|--|
| 9820475 | 1 | - | - | 90 |
| 9820476 | 1 | - | - | 90 |
| 9820477 | 1 | - | - | 90 |
| 9820478 | 1 | - | - | 90 |
| 9820479 | 1 | - | - | 90 |
| 9820480 | 1 | - | - | 90 |
| 9820481 | 1 | - | - | 90 |
| 9820484 | 1 | - | - | 22–29, 35 |
| 9820492 | 1 | - | - | 181 |
| 9820493 | 1 | - | - | 51, 88, 90–92 |
| 9820494 | 1 | - | - | 168 |
| 9820495 | 1 | - | - | 178–180, 191, 218, 219, 243 |
| 9820496 | 1 | - | - | 162, 163, 178–181, 191, 212, 218–220, 243 |
| 9820497 | 1 | - | - | 88–90, 93, 162, 163, 212 |
| 9820498 | 1 | - | - | 88–90, 93, 162, 163, 212 |
| 9820499 | 1 | - | - | 178–181, 191, 218–220, 243 |
| 9820545 | 1 | - | - | 111 |
| 9820546 | 1 | - | - | 111 |
| 9820553 | 1 | - | - | 173, 216 |
| 9820554 | 1 | - | - | 111, 112 |
| 9820557 | 1 | - | - | 89 |
| 9820558 | 1 | - | - | 89 |
| 9820559 | 1 | - | - | 89 |
| 9820560 | 1 | - | - | 89 |
| 9820561 | 1 | - | - | 161, 181, 188, 210, 220 |
| 9820562 | 1 | - | - | 181, 220 |
| 9820563 | 1 | - | - | 169, 170, 181, 214, 215, 220 |
| 9820564 | 1 | - | - | 177, 190, 217 |
| 9820565 | 1 | - | - | 169, 170, 214, 215 |
| 9820567 | 1 | - | - | 169 |
| 9820568 | 1 | - | - | 164, 165, 167 |
| 9820569 | 1 | - | - | 164, 165, 167 |
| 9820573 | 1 | - | - | 163 |
| 9820574 | 1 | - | - | 181, 220 |
| 9820575 | 1 | - | - | 50, 51 |
| 9820576 | 1 | - | - | 215 |
| 9820577 | 1 | - | - | 215 |
| 9820578 | 1 | - | - | 169 |
| 9820579 | 1 | - | - | 169 |
| 9820580 | 1 | - | - | 20 |
| 9820581 | 1 | 10 | - | 26, 28, 30, 36 |

| Item No. | DU 1 | DU 2 | DU 3 | Page |
|----------|------|------|------|--|
| 9820582 | 1 | 10 | - | 26, 28, 30, 36 |
| 9820583 | 1 | 10 | - | 26, 28, 30, 36 |
| 9820585 | 1 | - | - | 22–29 |
| 9820586 | 1 | - | - | 22–29 |
| 9820587 | 1 | - | - | 53, 177, 190, 217, 245 |
| 9820588 | 1 | - | - | 160, 163, 181 |
| 9820589 | 1 | - | - | 163 |
| 9820591 | 1 | 108 | - | 21, 31 |
| 9820592 | 1 | - | - | 166 |
| 9820593 | 1 | - | - | 181 |
| 9820595 | 1 | - | - | 181 |
| 9820596 | 1 | - | - | 163, 181 |
| 9820598 | 1 | - | - | 181 |
| 9820599 | 1 | - | - | 163 |
| 9820614 | 1 | - | - | 93 |
| 9820615 | 1 | - | - | 93 |
| 9820616 | 1 | - | - | 157 |
| 9820633 | 1 | - | - | 166 |
| 9820634 | 1 | 15 | - | 166 |
| 9820645 | 1 | - | - | 111 |
| 9820646 | 1 | - | - | 111, 112 |
| 9820647 | 1 | - | - | 111 |
| 9820648 | 1 | - | - | 111 |
| 9820649 | 1 | - | - | 111 |
| 9820653 | 1 | 48 | - | 177 |
| 9820655 | 1 | - | - | 167 |
| 9820657 | 1 | - | - | 31 |
| 9820658 | 1 | - | - | 31 |
| 9820659 | 1 | - | - | 31 |
| 9820660 | 1 | - | - | 31 |
| 9820667 | 1 | - | - | 181 |
| 9820668 | 1 | - | - | 168, 181 |
| 9820670 | 1 | - | - | 49, 87, 161, 162, 178–180, 191, 211, 212, 218, 219, 243 |
| 9820672 | 1 | 5 | - | 22, 24, 30, 35, 36 |
| 9820673 | 1 | 10 | - | 22, 24, 30, 35, 36 |
| 9820677 | 1 | - | - | 31 |
| 9820688 | 1 | - | - | 54, 94, 176, 216 |
| 9820691 | 1 | - | - | 172 |
| 9820692 | 1 | 50 | - | 87 |
| 9820693 | 1 | - | - | 94, 176, 216 |
| 9820695 | 1 | 10 | - | 26, 28, 30, 36 |
| 9820696 | 1 | 10 | - | 26, 28, 30, 36 |
| 9820697 | 1 | - | - | 22–25 |

| Item No. | | DU 1 | DU 2 | DU 3 | Page |
|----------|------|------|------|------|-----------------------------------|
| 9820698 | NEW | 1 | - | - | 178–180, 191, 218, 219, 243 |
| 9820699 | NEW | 1 | - | - | 178–180, 191, 218, 219, 243 |
| 9820700 | NEW | 1 | - | - | 178–180, 191, 218, 219, 243 |
| 9820703 | NEW | 1 | - | - | 22–29 |
| 9880036 | | 1 | - | - | 52, 54, 156 |
| 9880037 | | 1 | - | - | 156 |
| 9880046 | | 1 | 100 | - | 19, 157, 187 |
| 9880047 | | 1 | 25 | - | 18, 206 |
| 9880048 | | 1 | - | - | 18, 206 |
| 9880049 | | 1 | - | - | 156 |
| 9880052 | | 1 | - | - | 156 |
| 9880053 | | 1 | - | - | 156 |
| 9880054 | | 1 | - | - | 156 |
| 9880056 | SALE | 1 | - | - | 19, 158 |
| 9880073 | | 1 | 10 | - | 155, 187, 208 |
| 9880082 | NEW | 1 | - | - | 20, 158 |
| 15201070 | | 1 | - | - | 298 |
| 15201072 | | 1 | - | - | 299 |
| 15201080 | | 1 | - | - | 298 |
| 15201082 | | 1 | - | - | 299 |
| 15201090 | | 1 | - | - | 298 |
| 15201092 | | 1 | - | - | 299 |
| 15204001 | NEW | 1 | - | - | 338 |
| 15204002 | NEW | 1 | - | - | 338 |
| 15204003 | NEW | 1 | - | - | 338 |
| 15204004 | NEW | 1 | - | - | 339 |
| 15221000 | | 1 | 150 | - | 301, 302 |
| 15243071 | | 1 | - | - | 292, 300, 302 |
| 15243081 | | 1 | - | - | 292, 300, 302 |
| 15243091 | | 1 | - | - | 292, 300, 302 |
| 15294000 | NEW | 1 | - | - | 341 |
| 15294001 | NEW | 1 | - | - | 341 |
| 15294002 | NEW | 1 | - | - | 341 |
| 15294003 | NEW | 1 | - | - | 341 |

Assortment changes

| Item No. | Designation | State/Change | Substitute |
|----------|---|--------------|------------|
| 600730 | TECEDrainline design grate "drops" stainless steel for shower channel, Polished, 700 mm | Dropped | |
| 600731 | TECEDrainline design grate "drops" stainless steel for shower channel, Brushed, 700 mm | Dropped | |
| 600750 | TECEDrainline design grate "quadratum" stainless steel for shower channel, Polished, 700 mm | Dropped | |
| 600760 | TECEDrainline design grate "organic" stainless steel for shower channel, Polished, 700 mm | Dropped | |
| 600761 | TECEDrainline design grate "organic" stainless steel for shower channel, Brushed, 700 mm | Dropped | |
| 600830 | TECEDrainline design grate "drops" stainless steel for shower channel, Polished, 800 mm | Dropped | |
| 600831 | TECEDrainline design grate "drops" stainless steel for shower channel, Brushed, 800 mm | Dropped | |
| 600850 | TECEDrainline design grate "quadratum" stainless steel for shower channel, Polished, 800 mm | Dropped | |
| 600860 | TECEDrainline design grate "organic" stainless steel for shower channel, Polished, 800 mm | Dropped | |
| 600861 | TECEDrainline design grate "organic" stainless steel for shower channel, Brushed, 800 mm | Dropped | |
| 600930 | TECEDrainline design grate "drops" stainless steel for shower channel, Polished, 900 mm | Dropped | |
| 600931 | TECEDrainline design grate "drops" stainless steel for shower channel, Brushed, 900 mm | Dropped | |
| 600950 | TECEDrainline design grate "quadratum" stainless steel for shower channel, Polished, 900 mm | Dropped | |
| 600960 | TECEDrainline design grate "organic" stainless steel for shower channel, Polished, 900 mm | Dropped | |
| 600961 | TECEDrainline design grate "organic" stainless steel for shower channel, Brushed, 900 mm | Dropped | |
| 601030 | TECEDrainline design grate "drops" stainless steel for shower channel, Polished, 1000 mm | Dropped | |
| 601031 | TECEDrainline design grate "drops" stainless steel for shower channel, Brushed, 1000 mm | Dropped | |
| 601050 | TECEDrainline design grate "quadratum" stainless steel for shower channel, Polished, 1000 mm | Dropped | |
| 601060 | TECEDrainline design grate "organic" stainless steel for shower channel, Polished, 1000 mm | Dropped | |
| 601061 | TECEDrainline design grate "organic" stainless steel for shower channel, Brushed, 1000 mm | Dropped | |
| 601230 | TECEDrainline design grate "drops" stainless steel for shower channel, Polished, 1200 mm | Dropped | |
| 601231 | TECEDrainline design grate "drops" stainless steel for shower channel, Brushed, 1200 mm | Dropped | |
| 601250 | TECEDrainline design grate "quadratum" stainless steel for shower channel, Polished, 1200 mm | Dropped | |
| 601260 | TECEDrainline design grate "organic" stainless steel for shower channel, Polished, 1200 mm | Dropped | |
| 601261 | TECEDrainline design grate "organic" stainless steel for shower channel, Brushed, 1200 mm | Dropped | |
| 601530 | TECEDrainline design grate "drops" stainless steel for shower channel, Polished, 1500 mm | Dropped | |
| 601531 | TECEDrainline design grate "drops" stainless steel for shower channel, Brushed, 1500 mm | Dropped | |
| 601550 | TECEDrainline design grate "quadratum" stainless steel for shower channel, Polished, 1500 mm | Dropped | |
| 601560 | TECEDrainline design grate "organic" stainless steel for shower channel, Polished, 1500 mm | Dropped | |
| 601561 | TECEDrainline design grate "organic" stainless steel for shower channel, Brushed, 1500 mm | Dropped | |
| 610900 | TECEDrainline angled channel with Seal System sealing tape, 900 x 900 mm | Dropped | |
| 610910 | TECEDrainline design grate "basic", stainless steel, for 90° angled shower channel, Polished, 900 x 900 mm | Dropped | |
| 610970 | TECEDrainline tileable channel "plate", for 90° angled channel, Polished, 900 x 900 mm | Dropped | |
| 610982 | TECEDrainline design grate "steel II", stainless steel, for 90° angled shower channel, Polished, 900 x 900 mm | Dropped | |
| 611000 | TECEDrainline angled channel with Seal System sealing tape, 1000 x 1000 mm | Dropped | |
| 611010 | TECEDrainline design grate "basic", stainless steel, for 90° angled shower channel, Polished, 1000 x 1000 mm | Dropped | |
| 611070 | TECEDrainline tileable channel "plate", for 90° angled channel, Polished, 1000 x 1000 mm | Dropped | |
| 611082 | TECEDrainline design grate "steel II", stainless steel, for 90° angled shower channel, Polished, 1000 x 1000 mm | Dropped | |
| 611200 | TECEDrainline angled channel with Seal System sealing tape, 1200 x 1200 mm | Dropped | |
| 611210 | TECEDrainline design grate "basic", stainless steel, for 90° angled shower channel, Polished, 1200 x 1200 mm | Dropped | |
| 611270 | TECEDrainline tileable channel "plate", for 90° angled channel, Polished, 1200 x 1200 mm | Dropped | |

| Item No. | Designation | State/Change | Substitute |
|----------|---|--------------|------------|
| 611282 | TECEdrainline design grate "steel II", stainless steel, for 90° angled shower channel, Polished, 1200 x 1200 mm | Dropped | |
| 675002 | TECEdrainprofile drain cover, stainless steel, black | Dropped | |
| 675020 | TECEdrainprofile profile cover in brushed stainless steel, black, for 1200 mm | Dropped | 675019 |
| 675026 | TECEdrainprofile profile cover stainless steel, brushed red gold (for shower profiles from 12/2023) | Dropped | |
| 675027 | TECEdrainprofile profile cover stainless steel, brushed gold optics (for shower profiles from 12/2023) | Dropped | |
| 3601108 | TECEdrainpoint S 116 drain set extra flat with Seal System universal flange, tileable channel "plate" 150 mm | NEW | |
| 9020019 | TECEprofil connection unit for stop valve and water meter | SALE | |
| 9020040 | TECEprofil mounting crossbeam for flush-mounted and wall-mounted fittings | SALE | 9020060 |
| 9020041 | TECEprofil mounting crossbeam for flush-mounted and wall-mounted fitting for subsequent installation in washstand modules | SALE | 9020061 |
| 9020050 | TECEprofil connection unit for washstand incl. TECElogo-Push wall discs 20 x 1/2" silicon bronze | SALE | |
| 9020052 | TECEprofil valve connector with wall disc TECElogo 20 x 1/2", silicon bronze | SALE | |
| 9020060 | TECEprofil mounting crossbeam including clamps for flush-mounted and external fittings | NEW | |
| 9020061 | TECEprofil mounting crossbeam including foot brake for flush-mounted and wall-mounted fittings for subsequent installation in washstand modules | NEW | |
| 9021022 | TECEprofil system wall disc TECElogo-Push 20 x 1/2" long version, silicon bronze | SALE | |
| 9240100 | TECEambia toilet flush plate for single-flush system, Polished white | Dropped | |
| 9240125 | TECEambia toilet flush plate for single-flush system, Matt chrome | Dropped | |
| 9240126 | TECEambia toilet flush plate for single-flush system, Bright chrome | Dropped | |
| 9240140 | TECEambia toilet flush plate for single-flush system, White, antibacterial | Dropped | |
| 9240200 | TECEambia toilet flush plate for dual-flush system, Polished white | Dropped | |
| 9240225 | TECEambia toilet flush plate for dual-flush system, Matt chrome | Dropped | |
| 9240226 | TECEambia toilet flush plate for dual-flush system, Bright chrome | Dropped | |
| 9240240 | TECEambia toilet flush plate for dual-flush system, White, antibacterial | Dropped | |
| 9240253 | TECEambia toilet flush plate for dual-flush system, Matt chrome frame, bright chrome buttons | Dropped | |
| 9240254 | TECEambia toilet flush plate for dual-flush system, Bright chrome frame, matt chrome buttons | Dropped | |
| 9240310 | TECEplanus toilet flush plate for single-flush system, Brushed stainless steel | Dropped | |
| 9240311 | TECEplanus toilet flush plate for single-flush system, Bright chrome | Dropped | |
| 9240312 | TECEplanus toilet flush plate for single-flush system, Silk matt white | Dropped | |
| 9240314 | TECEplanus toilet flush plate for single-flush system, Polished white | Dropped | |
| 9240320 | TECEplanus toilet flush plate for dual-flush system, Brushed stainless steel | Dropped | |
| 9240321 | TECEplanus toilet flush plate for dual-flush system, Bright chrome | Dropped | |
| 9240322 | TECEplanus toilet flush plate for dual-flush system, Silk matt white | Dropped | |
| 9240324 | TECEplanus toilet flush plate for dual-flush system, Polished white | Dropped | |
| 9240365 | TECEplanus toilet flush plate for dual-flush system, Antique copper | Dropped | |
| 9240366 | TECEplanus toilet flush plate for dual-flush system, Old brass | Dropped | |
| 9240444 | TECESolid toilet flush plate for dual-flush system, Brushed bronze | NEW | |
| 9240445 | TECESolid toilet flush plate for dual-flush system, Brushed brass | NEW | |
| 9240446 | TECESolid toilet flush plate for dual-flush system, Brushed nickel | NEW | |
| 9240447 | TECESolid toilet flush plate for dual-flush system, Brushed graphite | NEW | |
| 9240939 | TECEloop plastic toilet flush plate for dual-flush system, "Kids", Polished white, polished red/blue buttons | NEW | |
| 9240950 | TECE insert chute for cleaning tablets | Dropped | |
| 9242100 | TECEambia urinal flush plate including cartridge, Polished white | Dropped | |
| 9242126 | TECEambia urinal flush plate including cartridge, Bright chrome | Dropped | |
| 9242140 | TECEambia urinal flush plate including cartridge, White, antibacterial | Dropped | |

Assortment changes

| Item No. | Designation | State/Change | Substitute |
|----------|---|--------------|------------|
| 9242310 | TECEplanus urinal flush plate including cartridge, Brushed stainless steel | Dropped | |
| 9242311 | TECEplanus urinal flush plate including cartridge, Bright chrome | Dropped | |
| 9242312 | TECEplanus urinal flush plate including cartridge, Silk matt white | Dropped | |
| 9242314 | TECEplanus urinal flush plate including cartridge, Polished white | Dropped | |
| 9242507 | TECEloop urinal flush plate exhibit plastic, Polished white | Dropped | |
| 9242509 | TECEloop urinal flush plate exhibit plastic, Matt chrome | Dropped | |
| 9242510 | TECEloop urinal flush plate exhibit plastic, Bright chrome | Dropped | |
| 9242523 | TECEloop urinal flush plate exhibit plastic, Polished white, bright chrome button | Dropped | |
| 9300102 | TECEprofil toilet module with Uni cistern, with integrated warm and cold water hygiene flushing function, installation height 1120 mm | Dropped | |
| 9300103 | TECEprofil toilet module with Uni cistern, with integrated cold water hygiene flushing function, installation height 1120 mm | Dropped | |
| 9300344 | TECEprofil toilet module TECEprofil with Uni cistern, for TOTO Neorest Washlet (WC) AC 2.0/EW 2.0, installation height 1120 mm | SALE | |
| 9340000 | TECEprofil bath/shower module for flush-mounted and wall-mounted fittings, installation height 1120 mm | SALE | 9340002 |
| 9340002 | TECEprofil bath/shower module adjustable crossbeam for flush-mounted and wall-mounted fittings, installation height 1120 mm | NEW | |
| 9700204 | TECEone toilet ceramics without shower function washdown type, white | Dropped | |
| 9700212 | TECEone set, cold water and CLASSIC seat/cover | NEW | |
| 9700213 | TECEneo set, hot/cold water and seat/lid SLIM | NEW | |
| 9700214 | TECEneo set, cold water and seat/lid SLIM | NEW | |
| 9700215 | TECEneo set, without shower function and seat/lid SLIM | NEW | |
| 9700216 | TECEone set, hot/cold water and CLASSIC seat/cover | NEW | |
| 9820081 | TECEambia flush plate, polished white | Dropped | |
| 9820082 | TECEplanus white silk matt flush plate | Dropped | |
| 9820083 | TECEplanus flush plate, brushed stainless steel | Dropped | |
| 9820084 | TECEplanus flush plate, bright chrome | Dropped | |
| 9820234 | TECE spare part water connection nipple 1/2" outer thread with O-ring | Dropped | |
| 9820326 | TECE spare part attachment frame TECEambia | Dropped | |
| 9820441 | TECEprofil Hygiene flush unit | Dropped | |
| 9820572 | TECE spare part hygiene flush unit cold water | Dropped | |
| 9820698 | TECE spare part hold-down device version slider | NEW | |
| 9820699 | TECE spare part slider for hold-down device | NEW | |
| 9820700 | TECE spare part hold-down device version replacement 2003-2014 | NEW | |
| 9820703 | TECE spare part snap-on wheel for shower toilet control knobs | NEW | |
| 9880056 | TECE upgrade set dry-wall 8 cm for TECE shower toilets | SALE | 9880082 |
| 9880082 | TECE drywall upgrade set 8 cm for TECE shower toilets, depth-adjustable | NEW | |
| 15204001 | TECEshowerpoint drain set 100 mm, cover "2 in 1", without flange | NEW | |
| 15204002 | TECEshowerpoint drain set 100 mm for natural stone, with flange | NEW | |
| 15204003 | TECEshowerpoint drain set 150 mm, cover "2 in 1", without flange | NEW | |
| 15204004 | TECEshowerpoint drain set 150 mm for natural stone, with flange | NEW | |
| 15294000 | TECE spare part moulded feet for cover (4 pieces) | NEW | |
| 15294001 | TECE spare part hair trap for 100 mm | NEW | |
| 15294002 | TECE spare part membrane odour trap for 100 mm | NEW | |
| 15294003 | TECE spare part membrane odour trap for 150 mm | NEW | |

Notes:

- Goods are supplied to the specialist wholesale trade only in the quantities specified.
- Subject to technical modifications.
- This documentation is based on our current state of knowledge; the “state of the art” applies as a matter of course.
- Local standards and guidelines are to be taken into consideration in the choice of materials.

Valid until the appearance of the next issue. Subject to alterations and errors excepted.

More information on
www.tece.com

TECE GmbH
P +49 2572 928-999
international-business@tece.de
www.tece.com