



**PIPE SYSTEMS
PRODUCT RANGE
2024**

TECE International

Austria

TECE Österreich GmbH
Betriebsring 27
AT - 2483 Ebreichsdorf
Phone: +43 2254 207 02
info@tece.at
www.tece.at

Belarus

IOOO «TECE»
Menkovsky Trakt 10, Office 408-411
BY - Minsk
Republic Belarus
Phone: +375 17 507 51 90
info@tece.by
www.tece.by

Belgium

TECE Belgium BVBA
Jules Moretuslei 187-189,
BE - 2610 Antwerpen - Wilrijk
Phone: +32 2 401 61 37
info@tece.be
www.tece.be

China

**TECE Sanitary & Building Material
(Shanghai) Co., Ltd.**
No.3037, Kaixuan Road,
Xuhui District
CN - 200030 Shanghai, China
Phone: +86 21 32555030
info@tece.cn
www.tece.cn

Croatia

TECE d.o.o.
Fallerovo šetalište 16
HR - 10000 Zagreb
Phone: +38 513 079 000
info@tece.hr
www.tece.hr

Czech Republic

TECE Česká republika s.r.o.
Vocáňova 2449/5
CZ - 180 00 Praha 8 - Libeň
Phone: +420 273 134 240
info@tece.cz
www.tece.cz

Estonia

UAB TECE BALTİKUM Eesti filiaal
Tuleviku tee 10
EE - 75312 Peetri alevik
Rae vald, Harjumaa
Phone: +372 6 781100
info@tece.ee
www.tece.ee

France

TECE France Sarl
185, rue Louise Labbé, Bat C
FR - 69970 Chaponnay
Phone: +33 437 453 810
info@tece.fr
www.tece.fr

Germany

TECE GmbH
Hollefeldstr. 57
DE - 48282 Emsdetten
Phone: +49 2572 928 0
info@tece.de
www.tece.de

India

TECE India Private Ltd.
G-3, Neel Madhav,
Nr. Navneet Hospital,
V.P. cross road, Mulund (west)
IN - 400080 Mumbai Maharashtra
Phone +91 22 2167 6767
info@tece.in
www.tece.in

Italy

TECE Italia srl. a socio unico
Via dell'Industria, 24 A
IT - 41051 Castelnovo Rangone (MO)
Phone: +39 0 595 334 011
info@teceitalia.com
www.tece.it

Latvia

UAB TECE Baltikum Latvia
Dēļu iela 4, Rīga
LV - 1004 Latvija
Phone: +371 67 21 18 02
info@tece.lv
www.tece.lv

Lithuania

UAB TECE Baltikum
Islandijos pl. 217-2 Kaunas
LT - 49165 Lietuva
Phone: +370 37 314 078
info@tece.lt
www.tece.lt

Netherlands

TECE Nederland B.V.
W.A. Scholtenweg 7 a
NL - 9422 BR Smilde
Phone: +31 592 415 074
info@tece.nl
www.tece.nl

Norway

TECE NORGE A/S
Snipetjernveien 4
NO - 1405 Langhus
Phone: +47 915 03 654
ordre@tece.no
www.tece.no

Poland

TECE Sp. z o.o.
Ul. Wrocławska 61
PL - 57-100 Strzelin
Phone: +48 713 839 100
tece@tece.pl
www.tece.pl

Romania

TECE GmbH Romania SRL
Soseaua de Centura, 13A, com. Chiajna
RO - 077040 jud. Ilfov
Phone: +40 21 316 47 08
info@tece.ro
www.tece.ro

Russia

OOO TECE Systems
Highway „Baltija“ 26 km, BC «Riga Land»,
Building 6, Entrance 5, floor 5
Moscow Region,
Krasnogorsky District - Ilyinskoye
RU - 143421 Moscow
Phone +8 800 333 83 23
info@tece.ru
www.tece.ru

Singapore

TECE South-East Asia Pte. Ltd.
273 Thomson Road,
Novena Gardens, #04-02
SG - 307644 Singapore
Phone: +65 67 43 48 86
sales@tece.com.sg
www.tece.com.sg

Spain

TECE Haustechnik, S.L.
Parque Empresarial Alvedro
Calle F 24, Manzana 10
ES - 15180 Culleredo, A Coruña
Phone: +34 881 89 50 25
info@tece.es
www.tece.es

Sweden

TECE Sverige AB
Askims Verkstadsväg 7
SE - 43634 Askim
Phone: +46 10 200 81 40
info@tece.se
www.tece.se

Switzerland

TECE Schweiz AG
Gewerbstrasse 8
CH - 8212 Neuhausen am Rheinfall
Phone: +41 52 672 62 20
info@tece.ch
www.tece.ch

Ukraine

TOV TECE Ukraine
Williamsa Akademika str. 3/7, of.7
UA - 03189 Kyiv
Phone: +38 044 596 59 46
info@tece.ua
www.tece.ua

United Kingdom

TECE Ltd.
Wirral Park Road
Glastonbury, Somerset
UK - BA6 9XE Somerset
Phone +44 844 335 0811
info@tece.co.uk
www.tece.co.uk

	Page
Pipe Systems	
TECEflex – The universal pipe system with push sleeves	5
TECElogo – The quick push-fitting system for multi-layer composite pipes	75
TECEfloor – The complete range for radiant heating	155
Annex	
Article quick search	201
Assortment changes	214

Pipe Systems

**TECEflex
PRESSURE-
SLEEVE SYSTEM**

PRODUCT RANGE 2024

	Page
Composite pipe	8
All-plastic pipe	12
Pressure sleeves	13
Fittings	14
Assembly elements	23
Radiator connection	27
System components	32
Manifolds	33
Gas installation	36
Accessories	38
Tools	40
Starter set	44
Spare parts	45
Technical pipe data	49
Dimensional drawings	53

TECEflex fittings based on the pressure sleeve principle must only be handled with original TECEflex system pipes and TECEflex tools. The guarantee will be invalid if non-system components are used.

Delivery unit 1 (DU 1) cannot be changed for technical reasons.

Information red brass/silicon bronze

For logistical reasons, it may occasionally happen that TECEflex silicon bronze fittings are supplied in red brass. Both materials are listed on the assessment basis for metallic materials in contact with potable water of the German Environment Office (UBA positive list) and fulfil the requirements according to § 17 paragraph 3 of the Drinking Water Ordinance. Fittings made of the two materials are to be regarded as equivalent. Mixed installations of red brass and silicon bronze fittings are possible without restrictions.

TECEflex – Composite pipe



TECEflex – Composite pipe

The TECEflex composite pipe is equally suited for potable water and radiator installations as well as for the installation of compressed air systems. The TECEflex composite pipe is a universal pipe that combines the best properties of both metal and plastic pipes. The inner pipe consists of a PE-Xc basic standard pipe. This permits high pressure, temperature and corrosion resistance. The additional butt-welded aluminium sheathing serves both as a diffusion block and to reduce longitudinal deformation caused by heat. The TECEflex composite pipe is particularly easy to bend by hand, yet retains its rigidity.

The pipe meets the application classes according to ISO 21003 of class 2/10 bar for the potable water installation and class 5/10 bar for the heating installation. TECEflex is DVGW certified. The suitability as a compressed air pipe has been established by the test mark of the German Technical Inspectorate TÜV. The yellow composite pipe has been certified for indoor gas installations in keeping with TRGI 2018 and TRF 2021 up to 100 mbar for gases of the second and third gas family (natural gas and liquefied gas) - German Technical and Scientific Association for Gas and Water (DVGW).

TECEflex composite pipe

TECEflex multi-layer composite pipe PE-Xc/Al/PE-RT

Multi-layer composite pipe according to EN ISO 21003, suitable for potable water, heating and compressed air installations.

Dimension	Item No.		DU 1	DU 2	DU 3
14 - Roll	732014	SALE	120 m	1200 m	2400 m
16 - Roll	732016		100 m	1000 m	2000 m
20 - Roll	732020		100 m	700 m	1400 m
25 - Roll	732025		50 m	250 m	500 m
32 - Roll	732032		25 m	125 m	250 m
16 - Rod	732216		100 m	-	-
20 - Rod	732220		70 m	-	-
25 - Rod	732225		45 m	-	-
32 - Rod	732232		30 m	-	-
40 - Rod	732240		15 m	-	-
50 - Rod	732250		15 m	-	-
63 - Rod	732263		5 m	-	-

(rod each 5 m)



TECEflex multi-layer composite pipe PE-Xc/Al/PE-RT in corrugated protective pipe, black

Multi-layer composite pipe according to EN ISO 21003, suitable for potable water, heating and compressed air installations.

Dimension	Item No.		DU 1	DU 2	DU 3
14 - Roll	731014	SALE	75 m	525 m	1050 m
16 - Roll	731016		75 m	525 m	1050 m
20 - Roll	731020		50 m	350 m	700 m
25 - Roll	731025		25 m	175 m	350 m



TECEflex multi-layer composite pipe PE-Xc/Al/PE-RT in corrugated protective pipe, red

Multi-layer composite pipe according to EN ISO 21003, suitable for potable water, heating and compressed air installations.

Dimension	Item No.	DU 1	DU 2
16 - Roll	782103	75 m	525 m
20 - Roll	782105	50 m	350 m

**TECEflex multi-layer composite pipe PE-Xc/Al/PE-RT in corrugated protective pipe, blue**

Multi-layer composite pipe according to EN ISO 21003, suitable for potable water, heating and compressed air installations.

Dimension	Item No.	DU 1	DU 2
16 - Roll	782104	75 m	525 m
20 - Roll	782106	50 m	350 m

**TECEflex multi-layer composite pipe PE-Xc/Al/PE-RT pre-insulated, 6 mm insulation, red**

Multi-layer composite pipe according to EN ISO 21003 for potable water and heating installation, pre-insulated with 6 mm PE insulation ($\lambda_R = 0.04$ W/mK) and tear-proof PE foil (colour: red). Can be used in accordance with DIN 1988-200 (table 8, no. 4/5 and table 9, no. 6). Normal flammability according to EN 13501 class E; 100 % HCFC and HFC free.

Dimension	Item No.	DU 1	DU 2	DU 3
16 - 6 mm insulation	731116	75 m	300 m	600 m
20 - 6 mm insulation	731120	75 m	300 m	600 m
25 - 6 mm insulation	731125	50 m	200 m	400 m

**TECEflex multi-layer composite pipe PE-Xc/Al/PE-RT pre-insulated, 6 mm insulation, blue**

Multi-layer composite pipe according to EN ISO 21003 for potable water and heating installation, pre-insulated with 6 mm PE insulation ($\lambda_R = 0.04$ W/mK) and tear-proof PE foil (colour: blue). Can be used in accordance with DIN 1988-200 (table 8, no. 4/5 and table 9, no. 6). Normal flammability according to EN 13501 class E; 100 % HCFC and HFC free.

Dimension	Item No.	DU 1	DU 2	DU 3
16 - 6 mm insulation	731316	75 m	300 m	600 m
20 - 6 mm insulation	731320	75 m	300 m	600 m
25 - 6 mm insulation	731325	50 m	200 m	400 m



TECEflex – Composite pipe

TECEflex multi-layer composite pipe PE-Xc/Al/PE-RT pre-insulated, 9 mm insulation, red

Multi-layer composite pipe according to EN ISO 21003 for potable water and heating installation, pre-insulated with 9 mm PE insulation ($\lambda_R = 0.04$ W/mK) and tear-proof PE foil (colour: red). Can be used in accordance with GEG 2021 (appendix 8 line gg) and DIN 1988-200 (table 8, no. 1). Normal flammability according to EN 13501 class E; 100 % HCFC and HFC free.

Dimension	Item No.	DU 1	DU 2	DU 3
16 - 9 mm insulation	731616	75 m	225 m	450 m
20 - 9 mm insulation	731620	75 m	225 m	450 m
25 - 9 mm insulation	731625	50 m	150 m	300 m



TECEflex multi-layer composite pipe PE-Xc/Al/PE-RT pre-insulated, 9 mm insulation, blue

Multi-layer composite pipe according to EN ISO 21003 for potable water and heating installation, pre-insulated with 9 mm PE insulation ($\lambda_R = 0.04$ W/mK) and tear-proof PE foil (colour: blue). Can be used in accordance with GEG 2021 (appendix 8 line hh) and DIN 1988-200 (table 8, no. 1). Normal flammability according to EN 13501 class E; 100 % HCFC and HFC free.

Dimension	Item No.	DU 1	DU 2	DU 3
16 - 9 mm insulation	732116	75 m	225 m	450 m
20 - 9 mm insulation	732120	75 m	225 m	450 m
25 - 9 mm insulation	732125	50 m	150 m	300 m



TECEflex multi-layer composite pipe PE-Xc/Al/PE-RT pre-insulated, 13 mm insulation, red

Multi-layer composite pipe according to EN ISO 21003 for potable water and heating installation, pre-insulated with 13 mm PE insulation ($\lambda_R = 0.04$ W/mK) and tear-proof PE foil (colour: red). Can be used in accordance with GEG 2021 (appendix 8 line ee) and DIN 1988-200 (table 8, no. 2 and 6). Normal flammability according to EN 13501 class E; 100 % HCFC and HFC free.

Dimension	Item No.	DU 1	DU 2	DU 3
16 - 13 mm insulation	731916	50 m	150 m	300 m
20 - 13 mm insulation	731920	50 m	150 m	300 m
25 - 13 mm insulation	731925	25 m	100 m	200 m



TECEflex multi-layer composite pipe PE-Xc/Al/PE-RT pre-insulated, 26 mm insulation, red **NEW**

Multi-layer composite pipe according to EN ISO 21003 for potable water and heating installation, pre-insulated with 26 mm PE insulation ($\lambda_R = 0.04$ W/mK) and tear-proof PE foil (colour: red). Can be used in accordance with GEG 2021 (Appendix 8 line Aa) and DIN 1988-200 (table 8, nos. 2 and 6). Normal flammability according to EN 13501 class E; 100 % HCFC and HFC free.

Dimension	Item No.	DU 1	DU 2	DU 3	
16 - 26 mm insulation	732616	NEW	25 m	50 m	100 m
20 - RS 26 mm	732620	NEW	25 m	50 m	100 m
25 - RS 26 mm	732625	NEW	25 m	50 m	100 m



TECEflex multi-layer composite pipe PE-Xc/Al/PE-RT, yellow

Multi-layer composite pipe suitable for indoor gas installations. The regulations in accordance with TRGI 2018 and TRF 2021 shall apply for the installation.



Dimension	Item No.	DU 1	DU 2	DU 3
16 - Roll	732316	100 m	1000 m	2000 m
16 - Roll	732330	25 m	250 m	-
20 - Roll	732320	100 m	700 m	1400 m
20 - Roll	732331	25 m	250 m	-
25 - Roll	732325	50 m	250 m	500 m
25 - Roll	732332	25 m	250 m	-
32 - Roll	782032	25 m	125 m	-
16 - Rod	732416	100 m	-	-
20 - Rod	732420	70 m	-	-
25 - Rod	732425	45 m	-	-
32 - Rod	732432	30 m	-	-
40 - Rod	732440	15 m	-	-
50 - Rod	732450	15 m	-	-
63 - Rod	732463	5 m	-	-

(rod each 5 m)

TECEflex corrugated sheath pipe, yellow for 32 mm TECEflex multi-layer composite pipe

Yellow corrugated sheath pipe 32 mm for yellow TECEflex multi-layer composite pipe.



Dimension	Item No.	DU 1	DU 2
32 - Roll	782033	25 m	250 m

TECEflex multi-layer composite pipe PE-Xc/Al/PE-RT, yellow, in yellow corrugated sheath pipe

Multi-layer composite pipe suitable for indoor gas installations. The regulations in accordance with TRGI 2018 and TRF 2021 shall apply for the installation.



Dimension	Item No.	DU 1	DU 2
16 - Roll	782016	50 m	500 m
20 - Roll	782020	50 m	350 m
25 - Roll	782025	25 m	150 m

TECEflex – All-plastic pipe

TECEflex PE-Xc potable water pipe

PE-Xc potable water pipe to DIN 16892.

Dimension	Item No.	DU 1	DU 2	DU 3
16 - Roll	700516	50 m	500 m	1000 m
20 - Roll	700520	50 m	500 m	1000 m
25 - Roll	700525	50 m	350 m	700 m



TECEflex heating pipe for radiator connection

Heating pipe for radiator connection made of PE-Xc, silver-coloured, diffusion-tight in accordance with DIN 4726.

Dimension	Item No.	DU 1	DU 2	DU 3
16 - Roll	702016	120 m	1200 m	2400 m
20 - Roll	702020	75 m	750 m	1500 m
25 - Roll	702025	75 m	525 m	1050 m



TECEflex pressure sleeve for multi-layer composite pipe

Gold-coloured pressure sleeve for multi-layer composite pipe for press-connections with TECEflex PE-Xc/Al/PE-RT multi-layer composite pipes.

Please note:

Be sure to order pressure sleeves separately from the fittings!



PE-Xc/Al/PE-RT

Dimension	Item No.		DU 1	DU 2	DU 3
14	734514	SALE	50 pc.	750 pc.	-
16	734516		50 pc.	500 pc.	32000 pc.
20	734520		50 pc.	500 pc.	32000 pc.
25	734525		50 pc.	250 pc.	16000 pc.
32	734532		25 pc.	100 pc.	-
40	734540		15 pc.	60 pc.	-
50	734550		10 pc.	50 pc.	-
63	734563		5 pc.	20 pc.	-

TECEflex pressure sleeve for all-plastic pipe, nickel-plated

Silver-coloured pressure sleeve for TECEflex all-plastic pipes.

Please note:

Be sure to order pressure sleeves separately from the fittings!



PE-Xc

Dimension	Item No.		DU 1	DU 2
16	704016		50 pc.	500 pc.
20	704020		50 pc.	500 pc.
25	704025		50 pc.	150 pc.

TECEflex – Fittings

TECEflex female connector

Silicon bronze



PPSU

Standard brass*



Dimension	DU 1	DU 2	Item No.	Item No.	Item No.
16 x Rp 1/2"	10 pc.	100 pc.	705102	-	765002
20 x Rp 1/2"	10 pc.	100 pc.	705103	-	765003
20 x Rp 3/4"	10 pc.	100 pc.	705104	-	765004
25 x Rp 1"	5 pc.	20 pc.	705106	-	765009
25 x Rp 3/4"	10 pc.	100 pc.	705105	-	765007
32 x Rp 1"	5 pc.	20 pc.	705107	-	765008
40 x Rp 1 1/2"	2 pc.	20 pc.	705108	-	765010
50 x Rp 2"	2 pc.	10 pc.	705109	-	-
63 x Rp 2"	1 pc.	5 pc.	705110	-	-

TECEflex male connector

Silicon bronze



PPSU

Standard brass*



Dimension	DU 1	DU 2	Item No.	Item No.	Item No.
16 x R 1/2"	10 pc.	100 pc.	705601	-	765502
16 x R 3/4"	10 pc.	100 pc.	705602	-	765506
16 x R 3/8"	10 pc.	100 pc.	-	-	765514
20 x R 1/2"	10 pc.	100 pc.	705603	-	765503
20 x R 3/4"	10 pc.	100 pc.	705604	-	765504
25 x R 1"	10 pc.	50 pc.	705606	-	765508
25 x R 3/4"	10 pc.	50 pc.	705605	-	765507
32 x R 1"	5 pc.	50 pc.	705607	-	765509
32 x R 1 1/4"	5 pc.	50 pc.	705608	-	765510
40 x R 1 1/4"	2 pc.	20 pc.	705609	-	765511
50 x R 1 1/2"	2 pc.	10 pc.	705610	-	765512
63 x R 2"	1 pc.	5 pc.	705611	-	765513

TECEflex coupling

Silicon bronze



PPSU



Standard brass*



Dimension	DU 1	DU 2	Item No.	Item No.	Item No.
14 x 14	10 pc.	100 pc.	720594	-	-
16 x 16	10 pc.	100 pc.	706216	736016	766016
20 x 20	10 pc.	100 pc.	706220	736020	766020
25 x 25	10 pc.	50 pc.	706225	736025	766025
32 x 32	5 pc.	50 pc.	706232	736032	766032
40 x 40	2 pc.	20 pc.	706240	736040	766040
50 x 50	2 pc.	10 pc.	706250	-	766050
63 x 63	1 pc.	5 pc.	706263	-	766063

TECEflex coupling reduced

Silicon bronze

PPSU

Standard brass*



Dimension	DU 1	DU 2	Item No.	Item No.	Item No.
16 x 14	10 pc.	100 pc.	720595	-	-
20 x 16	10 pc.	100 pc.	706603	736503	766503
25 x 16	10 pc.	50 pc.	706604	736504	766504
25 x 20	10 pc.	50 pc.	706605	736505	766505
32 x 20	5 pc.	30 pc.	706606	736506	766506
32 x 25	5 pc.	30 pc.	706607	736507	766507
40 x 32	2 pc.	20 pc.	706608	736508	766508
50 x 40	2 pc.	10 pc.	706609	-	766509
63 x 50	1 pc.	5 pc.	706610	-	-

TECEflex 90° elbow

Silicon bronze

PPSU

Standard brass*



Dimension	DU 1	DU 2	Item No.	Item No.	Item No.
16 x 16	10 pc.	200 pc.	-	737016	767016
20 x 20	10 pc.	100 pc.	-	737020	767020
25 x 25	10 pc.	40 pc.	-	737025	767025
32 x 32	5 pc.	40 pc.	-	737032	767032
40 x 40	2 pc.	20 pc.	-	737040	767040
50 x 50	2 pc.	10 pc.	-	-	767050
63 x 63	1 pc.	5 pc.	-	-	767063

TECEflex 90° elbow pressure-loss optimised, silicon bronze

90° coupling made of silicon bronze, elbow with pressure-loss optimised design and favourable flow characteristics. Low zeta value due to low-loss change of direction via arcuate bends and the very nearly identical inner cross-section of the pipe and fitting.



Dimension	Item No.	DU 1	DU 2
14 x 14	720593	10 pc.	200 pc.
16 x 16	707316	10 pc.	200 pc.
20 x 20	707320	10 pc.	100 pc.
25 x 25	707325	10 pc.	40 pc.
32 x 32	707332	5 pc.	40 pc.
40 x 40	707340	2 pc.	20 pc.
50 x 50	707350	2 pc.	10 pc.
63 x 63	707363	1 pc.	5 pc.

* For choice of materials observe the information on p. 52.

TECEflex - Fittings

TECEflex 45° elbow

Silicon bronze

Standard brass*



Dimension	DU 1	DU 2	Item No.	Item No.
25 x 25	10 pc.	40 pc.	707167	767125
32 x 32	5 pc.	20 pc.	707168	767132
40 x 40	2 pc.	20 pc.	707169	767140
50 x 50	2 pc.	10 pc.	707165	-
63 x 63	1 pc.	5 pc.	707166	-

TECEflex female elbow

Silicon bronze

Standard brass*



Dimension	DU 1	DU 2	Item No.	Item No.
16 x Rp 1/2"	10 pc.	150 pc.	708101	768016
20 x Rp 1/2"	10 pc.	150 pc.	708102	768020
20 x Rp 3/4"	10 pc.	50 pc.	708103	768002
25 x Rp 3/4"	10 pc.	40 pc.	708104	768025
32 x Rp 1"	5 pc.	20 pc.	708105	768032
40 x Rp 1 1/2"	2 pc.	10 pc.	708106	-
50 x Rp 1 1/2"	2 pc.	10 pc.	708107	-

TECEflex male elbow

Silicon bronze

Standard brass*



Dimension	DU 1	DU 2	Item No.	Item No.
16 x R 1/2"	10 pc.	80 pc.	707801	767516
20 x R 1/2"	10 pc.	80 pc.	707802	767520
20 x R 3/4"	10 pc.	60 pc.	707803	767501
25 x R 1"	10 pc.	50 pc.	707805	767526
25 x R 3/4"	10 pc.	50 pc.	707804	767525
32 x R 1"	10 pc.	20 pc.	707806	767532

TECEflex compact angled connector, silicon bronze

Dimension	Item No.	DU 1	DU 2
16 x Rp 1/2"	708100	10 pc.	150 pc.



TECEflex tee female thread

Silicon bronze

PPSU

Standard brass*



Dimension	DU 1	DU 2	Item No.	Item No.	Item No.
16 x Rp 1/2" x 16	10 pc.	60 pc.	709801	-	769516
20 x Rp 1/2" x 20	10 pc.	40 pc.	709802	-	769520
25 x Rp 1/2" x 25	10 pc.	30 pc.	709803	-	769522
25 x Rp 3/4" x 25	10 pc.	20 pc.	709804	-	769525
32 x Rp 1/2" x 32	5 pc.	20 pc.	-	-	769527
32 x Rp 1" x 32	5 pc.	20 pc.	709805	-	769532
40 x Rp 1/2" x 40	1 pc.	10 pc.	-	-	769534
40 x Rp 1" x 40	1 pc.	10 pc.	709806	-	769540
40 x Rp 3/4" x 40	1 pc.	10 pc.	709809	-	-
50 x Rp 1 1/4" x 50	1 pc.	10 pc.	709807	-	-
50 x Rp 3/4" x 50	1 pc.	10 pc.	709810	-	-
63 x Rp 1 1/2" x 63	1 pc.	5 pc.	709808	-	-
63 x Rp 3/4" x 63	1 pc.	5 pc.	709811	-	-

TECEflex tee

Silicon bronze

PPSU

Standard brass*



Dimension	DU 1	DU 2	Item No.	Item No.	Item No.
14 x 14 x 14	10 pc.	150 pc.	720591	-	-
16 x 16 x 16	10 pc.	150 pc.	710116	730916	760016
20 x 20 x 20	10 pc.	80 pc.	710120	730920	760020
25 x 25 x 25	10 pc.	40 pc.	710125	730925	760025
32 x 32 x 32	5 pc.	20 pc.	710132	730932	760032
40 x 40 x 40	2 pc.	10 pc.	710140	730940	760040
50 x 50 x 50	1 pc.	5 pc.	710150	-	-
63 x 63 x 63	1 pc.	5 pc.	710163	-	-

* For choice of materials observe the information on p. 52.

TECEflex – Fittings

TECEflex tee reduced

Silicon bronze



PPSU



Standard brass*



Dimension	DU 1	DU 2	Item No.	Item No.	Item No.
16 x 14 x 16	10 pc.	100 pc.	720592	-	-
16 x 20 x 16	10 pc.	50 pc.	710601	730504	760504
20 x 16 x 16	10 pc.	50 pc.	710602	730508	760508
20 x 16 x 20	10 pc.	100 pc.	710603	730509	760509
20 x 20 x 16	10 pc.	100 pc.	710604	730511	760511
20 x 25 x 20	10 pc.	40 pc.	710609	730521	760521
25 x 16 x 16	10 pc.	40 pc.	-	730516	760516
25 x 16 x 20	10 pc.	40 pc.	710605	730544	760544
25 x 16 x 25	10 pc.	30 pc.	710606	730514	760514
25 x 20 x 20	10 pc.	30 pc.	710607	730522	760522
25 x 20 x 25	10 pc.	20 pc.	710608	730515	760515
25 x 32 x 25	5 pc.	30 pc.	-	-	760517
32 x 16 x 32	5 pc.	40 pc.	710610	730537	760537
32 x 20 x 25	5 pc.	40 pc.	-	-	760518
32 x 20 x 32	5 pc.	30 pc.	710611	730519	760519
32 x 25 x 25	5 pc.	30 pc.	710613	730520	760520
32 x 25 x 32	5 pc.	30 pc.	710612	730523	760523
32 x 32 x 20	5 pc.	20 pc.	-	-	760529
40 x 20 x 40	2 pc.	20 pc.	710614	730536	760536
40 x 25 x 32	2 pc.	20 pc.	-	-	760543
40 x 25 x 40	2 pc.	20 pc.	710615	730533	760533
40 x 32 x 32	2 pc.	20 pc.	710617	730525	760525
40 x 32 x 40	2 pc.	8 pc.	710616	730524	760524
50 x 20 x 50	1 pc.	5 pc.	710618	-	-
50 x 25 x 50	1 pc.	5 pc.	710619	-	760534
50 x 32 x 50	1 pc.	5 pc.	710620	-	760526
50 x 40 x 50	1 pc.	5 pc.	710621	-	-
63 x 32 x 63	1 pc.	5 pc.	710622	-	-
63 x 50 x 63	1 pc.	5 pc.	710623	-	-

TECEflex screw connection, flat sealing

Silicon bronze



Standard brass*



Dimension	DU 1	DU 2	Item No.	Item No.
16 x 1/2"	10 pc.	100 pc.	717601	767578
16 x 3/4"	10 pc.	100 pc.	717602	767570
16 x 3/8"	5 pc.	100 pc.	-	767579
20 x 1/2"	10 pc.	100 pc.	-	767575
20 x 1"	5 pc.	50 pc.	717604	767576
20 x 3/4"	5 pc.	100 pc.	717603	767572
25 x 1"	5 pc.	50 pc.	717605	767574
25 x 1 1/4"	5 pc.	30 pc.	717606	-
25 x 3/4"	5 pc.	50 pc.	-	767573
32 x 1"	5 pc.	30 pc.	-	767581
32 x 1 1/2"	1 pc.	15 pc.	717608	-
32 x 1 1/4"	1 pc.	25 pc.	717607	-

TECEflex elbow coupling, flat sealing, standard brass*

Dimension	Item No.	DU 1	DU 2
16 x 1/2"	767590	10 pc.	100 pc.
20 x 1/2"	767591	10 pc.	100 pc.
25 x 3/4"	767592	10 pc.	40 pc.



TECEflex quick adapter straight, silicon bronze

Quick adapter to connect pressed TECEflex pipes to a 1/2" TECE quick connection without tools. The TECE cisterns are equipped with compatible quick connectors.



Dimension	Item No.	DU 1	DU 2
16 x 1/2"	708630	10 pc.	100 pc.

TECEflex quick adapter 90° angle, silicon bronze

Quick adapter to connect pressed TECEflex pipes to a 1/2" TECE quick connection without tools. The TECE cisterns are equipped with compatible quick connectors.



Dimension	Item No.	DU 1	DU 2
16 x 1/2"	708631	10 pc.	100 pc.

TECEflex quick adapter tee through type, silicon bronze

Quick adapter to connect pressed TECEflex pipes to a 1/2" TECE quick connection without tools. The TECE cisterns are equipped with compatible quick connectors.



Dimension	Item No.	DU 1	DU 2
16 x 16 x 1/2"	708632	10 pc.	50 pc.

* For choice of materials observe the information on p. 52.

TECEflex – Fittings

TECEflex quick adapter tee outlet, silicon bronze

Quick adapter to connect pressed TECEflex pipes to a 1/2" TECE quick connection without tools. The TECE cisterns are equipped with compatible quick connectors.



Dimension	Item No.	DU 1	DU 2
16 x 1/2" x 16	708633	10 pc.	50 pc.

TECEflex end plug

Silicon bronze

PPSU

Standard brass*



Dimension	DU 1	DU 2	Item No.	Item No.	Item No.
16	10 pc.	200 pc.	-	730616	765116
20	10 pc.	200 pc.	-	730620	765120

TECEflex wall disk

Silicon bronze

PPSU

Standard brass*



Dimension	DU 1	DU 2	Item No.	Item No.	Item No.
14 x Rp 1/2"	10 pc.	100 pc.	720590	-	-
16 x Rp 1/2"	10 pc.	100 pc.	708610	-	768516
20 x Rp 1/2"	10 pc.	50 pc.	708611	-	768520
20 x Rp 3/4"	10 pc.	30 pc.	708612	-	768525
25 x Rp 3/4"	10 pc.	20 pc.	708613	-	768526

TECEflex wall disk, outlet 54 mm long, standard brass*

Dimension	Item No.	DU 1	DU 2
16 x Rp 1/2"	768503	10 pc.	100 pc.



TECEflex wall disk, long

Silicon bronze

PPSU

Standard brass*



Dimension	DU 1	DU 2	Item No.	Item No.	Item No.
16 x Rp 1/2"	10 pc.	20 pc.	708614	-	768502

TECEflex double wall disk, standard brass*

Dimension	Item No.	DU 1	DU 2
16 x 1/2" x 16	768501	10 pc.	30 pc.



TECEflex double wall disk long, silicon bronze

Dimension	Item No.	DU 1	DU 2
16 x Rp 1/2" x 16	708628	10 pc.	30 pc.



TECEflex U-double wall disk pressure-loss optimised, silicon bronze

U-double wall disk made of silicon bronze for O-ring free pressure sleeve connection of TECEflex pipes with threaded fittings or fittings with a thread to EN 10226. Fitting with optimised flow resistance coefficient (Zeta value). Suitable for all potable water qualities. Without TECEflex pressure sleeves.

Dimension	Item No.	DU 1	DU 2
16 x Rp 1/2" x 16	708625	10 pc.	30 pc.
20 x Rp 1/2" x 20	708626	10 pc.	30 pc.



TECEflex U-double wall disk reduced pressure-loss optimised, silicon bronze

Dimension	Item No.	DU 1	DU 2
16 x Rp 1/2" x 20	708606	10 pc.	30 pc.
20 x Rp 1/2" x 16	708607	10 pc.	30 pc.



TECEflex double connection pressure-loss optimised, silicon bronze

Dimension	Item No.	DU 1	DU 2
16 x R 1/2"	708608	10 pc.	30 pc.



TECEflex wall bushing with pressure ring, silicon bronze

Wall bushing made of silicon bronze with pressure ring for O-ring free pressure sleeve connection of TECEflex pipes with threaded fittings or fittings with a thread to EN 10226. Adjustable for wall thicknesses between 18-25 mm. Including pressure ring, screws and sound-insulation insert (without TECEflex pressure sleeves).

Dimension	Item No.	DU 1	DU 2
16 x Rp 1/2"	708705	10 pc.	20 pc.



* For choice of materials observe the information on p. 52.

TECEflex – Fittings

TECEflex universal wall bushing, silicon bronze

One side 1/2" female thread, other side 1/2" male thread, made of silicon bronze with pressure ring. Adjustable for wall thicknesses between 18-25 mm.



Dimension	Item No.	DU 1	DU 2
R 1/2" x Rp 1/2"	708706	10 pc.	40 pc.

TECEflex pressure-soldered connection, silicon bronze

As adapter from stainless steel or copper pipe to TECEflex. Suitable for V- or M-contour pressed fittings. Also suitable for soldering.



Dimension	Item No.	DU 1	DU 2
16 x 15 mm Cu	716316	10 pc.	150 pc.
20 x 18 mm Cu	716320	10 pc.	100 pc.
20 x 22 mm Cu	716321	10 pc.	100 pc.
25 x 22 mm Cu	716325	10 pc.	50 pc.
32 x 28 mm Cu	716332	10 pc.	50 pc.

TECEflex Cu soldered connection made of standard brass*

Soldered connection as transition (internal/external) from copper pipes to TECEflex, suitable only for soldering.



Dimension	Item No.	DU 1	DU 2
14 x 15/18 mm Cu	713914	10 pc.	150 pc.
16 x 15/18 mm Cu	713916	10 pc.	150 pc.
20 x 18/22 mm Cu	713920	10 pc.	100 pc.
25 x 22/28 mm Cu	713925	10 pc.	50 pc.
32 x 28/32 mm Cu	713932	5 pc.	40 pc.

TECEflex system adapter copper pipe

Permanent adapter from copper pipe to TECEflex. Not approved for gas installation.



Dimension	Item No.	DU 1	DU 2
16 x 15 mm Cu	713816	5 pc.	100 pc.

TECEflex joint adapter standard brass for TECO FASTEC

Joint adapter for connecting TECEflex pipes to TECO FASTEC products.



Dimension	Item No.	DU 1	DU 2
16	716350	10 pc.	100 pc.
20	716351	10 pc.	100 pc.
25	716352	10 pc.	50 pc.

TECEflex mounting unit with wall disks, silicon bronze, sound-proofing elements and fastener for high-temperature drain bend

Pre-assembled fastener with:

- 2 sound-insulation disks
- 2 wall disks, silicon bronze
- 2 sound-insulation domes
- Fastener for a high-temperature drain bend (without TECEflex pressure sleeves)



Dimension	Centre	Item No.	DU 1	DU 2
16 x Rp 1/2"	80 mm	720565	1 pc.	10 pc.

TECEflex mounting unit with reinforced brackets made of galvanised sheet steel, wall disks made of standard brass and sound insulation caps*

Pre-assembled fastener with:

- 2 sound-insulation disks
- 2 wall disks, standard brass
- 2 sound-insulation domes



Dimension	Centre	Item No.	DU 1	DU 2
16 x Rp 1/2"	150 mm	721009	1 pc.	10 pc.

TECEflex assembly unit with wall disks made of silicone bronze and sound insulation boxes

Preassembled nickel-plated steel bracket with:

- 2 wall disks in silicone bronze
- 2 sound insulation boxes made of high-quality EPP with heat and sound insulating properties. This corresponds to a thermal insulation according to GEG 2021 (Annex 8, line ee) with a special receptacle for the Seal System sealing sleeve 1/2" (Item No. 704801).

(without TECEflex pressure sleeves)



Dimension	Centre	Item No.	DU 1	DU 2
16 x Rp 1/2"	150 mm	720567	1 pc.	10 pc.
20 x Rp 1/2"	150 mm	720568	1 pc.	10 pc.

TECEflex mounting unit with wall disks made of standard brass*

Dimension	Centre	Item No.	DU 1	DU 2
16 x Rp 1/2"	150 mm	765130	1 pc.	10 pc.



* For choice of materials observe the information on p. 52.

TECEflex – Assembly elements

TECEflex assembly unit with wall disks made of silicone bronze and sound insulation boxes

Preassembled nickel-plated steel bracket with:

- 2 U-double wall disks in silicone bronze
- 2 sound insulation boxes made of high-quality EPP with heat and sound insulating properties. This corresponds to thermal insulation according to GEG 2021 (Annex 8, line ee) with a special recess for the Seal System sealing sleeve 1/2" (Item No. 704801).

(without TECEflex pressure sleeves)



Dimension	Centre	Item No.	DU 1	DU 2
16 x Rp 1/2" x 16	150 mm	720569	1 pc.	10 pc.

TECE sound-proofing element

Sound-proofing element for TECEflex and TECElogo wall disks. To minimize transmission of noise to the structure; consisting of sound insulation inserts and sound-proofing cover.

Dimension	Item No.	DU 1	DU 2
For 1/2" wall disks	7 18017	10 pc.	40 pc.
For 1/2" wall disks, long	7 18022	10 pc.	40 pc.
For 1/2" U-double wall disks	7 18024	10 pc.	40 pc.



Caution: Not suitable for use with the Seal System sealing sleeve.

TECE sound insulation box with a special recess for the Seal System sealing sleeve

Sound insulation box for TECEflex and TECElogo wall disks made of high-quality EPP with heat and sound insulation properties. Corresponds to thermal insulation according to GEG 2021 (Annex 8, line ee), specially for combination with the Seal System sealing sleeve.

Dimension	Item No.	DU 1	DU 2
16-20 x Rp 1/2"	7 18031	10 pc.	40 pc.



TECE sound shield for wall disk

Sound shield for TECEflex and TECElogo wall disks. To reduce noise transmission to structure.

Item No.	DU 1	DU 2
7 18026	10 pc.	100 pc.



TECEflex mounting unit with wall disks silicon bronze

Pre-assembled fastener with two silicon bronze wall disks.

Dimension	Item No.	DU 1	DU 2
16 x Rp 1/2"	720550	5 pc.	25 pc.



TECE Seal System assembly plug with sealing sleeve

Reusable special assembly plug for mounting the sealing sleeve in the shell construction phase. Suitable for leak and load testing with air or water. With a metallic thread made of material suitable for drinking water, including Seal System sealing sleeve.



Dimension	Item No.	DU 1	DU 2
1/2"	704802	6 pc.	-
3/4"	704812	10 pc.	50 pc.

TECE Seal System sealing sleeve

Sealing sleeve for creating a standard-compliant wall bushing with walls exposed to water in accordance with DIN 18534 (2017).

Leak water created by an unsealed threaded connection between the wall disk and the valve extension is guided forwards out of the wall. In addition to the TECE wall disks, also suitable for many third-party products.



Dimension	Item No.	DU 1	DU 2
1/2"	704801	10 pc.	-
3/4"	704811	10 pc.	50 pc.

In connection with the Seal System sealing sleeve and a suitable sealing grout. The suitability of external products can be found in the technical information.

TECE Seal System assembly plug with filling and emptying valve with sealing sleeve

Reusable assembly plug with a filling and emptying valve, equipped with a hose connection.



Dimension	Item No.	DU 1	DU 2
1/2"	704809	10 pc.	30 pc.

TECE Seal System sealing collar

Seal System sealing collar for sealing against intrusion of moisture into the wall via fitting connections.



Dimension	Version	Item No.	DU 1	DU 2
140 x 140 mm	1/2"	704803	10 pc.	500 pc.
170 x 170 mm	3/4"	704813	10 pc.	500 pc.

TECE Seal System sealing set 1/2" for wall bushings

Seal System sealing set consisting of:

- 2 x assembly plugs
- 2 x sealing sleeves
- 2 x sealing collars



Item No.	DU 1
704805	1 pc.

TECEflex – Assembly elements

TECE fastener made of galvanized steel, single

To fasten TECEflex and TECElogo wall disks, angled, made of galvanized steel.

Item No.	DU 1	DU 2
720527	10 pc.	80 pc.



TECE fastener made of galvanized steel, double

To fasten TECEflex and TECElogo wall disks, angled, made of galvanized steel. Suitable for centres 150 and 80 mm.

Item No.	DU 1	DU 2
720528	5 pc.	20 pc.



TECE fastener made of galvanized steel, double

Item No.	DU 1	DU 2
721005	5 pc.	25 pc.



TECE screw

To fasten TECEflex and TECElogo wall disks to galvanized steel fasteners.

Dimension	Item No.	DU 1	DU 2
3,5 x 16 mm	720524	100 pc.	3000 pc.



TECEflex 15 mm radiator mounting bracket, nickel-plated copper

To connect compact radiators with integrated valves.

Dimension	Length	Item No.	DU 1	DU 2
14 x 15 mm Cu	300 mm	7 140 14	10 pc.	50 pc.
16 x 15 mm Cu	300 mm	7 140 16	10 pc.	50 pc.
20 x 15 mm Cu	300 mm	7 140 20	10 pc.	50 pc.
16 x 15 mm Cu	1100 mm	7 145 16	6 pc.	60 pc.

**TECEflex 15 mm radiator mounting tee, nickel-plated copper**

To connect compact radiators with integrated valves.

Dimension	Length	Item No.	DU 1	DU 2
16 x 15 mm Cu	300 mm	7 150 16	10 pc.	60 pc.
20 x 15 mm Cu	300 mm	7 150 20	10 pc.	50 pc.

**TECEflex radiator assembly set for compact valve heaters, floor-mounted, nickel-plated**

To connect compact radiators with integrated valves through the floor.

Dimension	Centre	Item No.	DU 1	DU 2
16 x 15 mm Cu	50 mm	7 149 01	1 pc.	10 pc.

**TECEflex radiator mounting set for compact radiator with integrated valve, wall-mounted, nickel-plated**

To connect compact radiators with integrated valves through the wall.

Dimension	Centre	Item No.	DU 1	DU 2
16 x 15 mm Cu	50 mm	7 149 05	1 pc.	10 pc.

**TECE skirting board radiator elbow shut-offs**

Made of 15 mm nickel-plated Cu pipe, adjustable and with shut-off, for connection of radiator to TECEflex or TECLogo-Push skirting board radiator connection set.

Dimension	Item No.	DU 1	DU 2
15 mm Cu	730010	1 set	25 set



TECEflex – Radiator connection

TECE skirting board radiator elbows

Made of nickel-plated Cu pipe 15 mm. To connect radiator to TECEflex or TECElogo-Push skirting board radiator connection set.

Dimension	Item No.	DU 1	DU 2
15 mm Cu	730025	1 set	20 set



TECE male pinch screw connection 1/2"

15 mm, nickel-plated pinch screw connection to join TECEflex/TECElogo radiator mounting elbow or radiator tees to thermostat valves or to the radiator screw connections.

Dimension	Item No.	DU 1	DU 2
15 mm x R 1/2"	717501	10 pc.	150 pc.



TECEflex radiator mounting unit for compact radiator with integrated valve, wall-mounted

For simplified connection of compact radiators with integrated valves through the wall, TECEflex composite pipe dim. 16 in 9 mm PE insulating tube, λ_R 0.040 W/(mK), with sturdy fixing option, radiator valve spacing 50 mm. Installation height 210 mm.

Dimension	Item No.	DU 1	DU 2
16	714907	1 pc.	5 pc.



TECEflex cross fitting

Made of nickel-plated brass. For simplified connection of radiator connection lines in the floor construction.

Dimension	Item No.	DU 1	DU 2
16 x 16 x 16	718501	1 pc.	10 pc.
20 x 16 x 16	718502	1 pc.	10 pc.
20 x 16 x 20	718503	1 pc.	10 pc.



TECEflex protection box made of PS for cross-fittings

To separate TECEflex cross-fittings from the building structure, made of cfc-free PS.

Dimension	Item No.	DU 1	DU 2
16-20	718020	1 pc.	10 pc.



TECEflex radiator installation box for compact valve heaters

For simplified connection of compact valve radiators through the wall, pipe layout in PUR insulating body, without plaster base board, radiator valve spacing 50 mm, installation height 230 mm, TECEflex composite pipe dim. 16.

Dimension	Item No.	DU 1	DU 2
16	716116	1 pc.	5 pc.



TECE thermostat head

TECE thermostat head M 30 x 1.5, setting range 7-28 °C.

Colour	Item No.	DU 1	DU 2
White	8740461	1 pc.	75 pc.

**TECE thermostat valve body, through type**

Thermostat valve body, through type, preconfigurable.

Dimension	Item No.	DU 1	DU 2
R 1/2" x Rp 1/2"	8740431	1 pc.	20 pc.

**TECE thermostat valve body, corner type**

Thermostat valve body, corner type, preconfigurable.

Dimension	Item No.	DU 1	DU 2
R 1/2" x Rp 1/2"	8740432	1 pc.	20 pc.

**TECE thermostat valve, through type**

Thermostat valve lower part, 90° presettable.

Dimension	Item No.	DU 1	DU 2
R 1/2" x Rp 1/2"	8740463	1 pc.	20 pc.

**TECE radiator return screw connection, through type**

Radiator return screw connection, through type.

Dimension	Item No.	DU 1	DU 2
R 1/2" x Rp 1/2"	8740433	1 pc.	20 pc.

**TECE radiator return screw connection, corner type**

Radiator return screw connection, corner version.

Dimension	Item No.	DU 1	DU 2
R 1/2" x Rp 1/2"	8740434	1 pc.	20 pc.

**TECE two-pipe valve block for HC, through type**

Two-pipe valve block for radiator, through type with 3/4" Eurocone.

Dimension	Item No.	DU 1	DU 2
3/4" EC x 3/4" EC	8740435	1 pc.	10 pc.



TECEflex – Radiator connection

TECE two-pipe valve block for HC, corner type

Two-pipe valve block for radiator, corner type with 3/4" Eurocone.

Dimension	Item No.	DU 1	DU 2
3/4" EC x 3/4" EC	8740436	1 pc.	10 pc.



TECE two-pipe valve block for HC 1/2" MT, through type

Two-pipe valve block for radiator, through type with 1/2" male thread and 3/4" Eurocone.

Dimension	Item No.	DU 1	DU 2
3/4" EC x R 1/2"	8740437	1 pc.	10 pc.



TECE two-pipe valve block for HC 1/2" MT, corner type

Two-pipe valve block for radiator, corner type with 1/2" male thread and 3/4" Eurocone.

Dimension	Item No.	DU 1	DU 2
3/4" EC x R 1/2"	8740438	1 pc.	10 pc.



TECEflex skirting board radiator connection set

For radiator connections from the skirting board. Incl. clamping ring connections 1/2" x 15 mm. Suitable for mounting with TECEflex skirting board radiator elbow or TECEflex skirting board radiator elbow shut-off.

Dimension	Item No.	DU 1	DU 2
16 x 16 x 15 mm Cu	730110	1 set	10 set
20 x 20 x 15 mm Cu	730115	1 set	10 set
20 x 16 x 15 mm Cu	730120	1 set	10 set
16 x 20 x 15 mm Cu	730125	1 set	10 set
16 x plug x 15 mm Cu	730130	1 set	10 set
Plug x 16 x 15 mm Cu	730135	1 set	10 set



TECEflex clamped joint for all-plastic pipes*

To connect TECEflex all-plastic pipes to a Eurocone 3/4" MT. Designed for use in heating installations only.

Dimension	Item No.	DU 1	DU 2
14	713014	10 pc.	100 pc.
16	713516	10 pc.	100 pc.
20	713020	10 pc.	100 pc.



TECEflex clamped joint for TECEflex multi-layer composite pipe*

To connect TECEflex multi-layer composite pipes to a 3/4" Eurocone with male thread. Designed for use in heating installations only.

Dimension	Item No.	DU 1	DU 2
14	713314	10 pc.	100 pc.
16	713316	10 pc.	100 pc.
20	713320	10 pc.	100 pc.

**TECE Eurocone clamped joint for copper pipes***

Eurocone clamped joint for copper pipes 15 x 1 mm, with nickel-plated 3/4" union nut and Eurocone.

Dimension	Item No.	DU 1	DU 2
3/4" for copper pipe 15 x 1	8740439	2 pc.	100 pc.

**TECEflex Eurocone screw connection 3/4" with TECEflex pressure connection made of brass, nickel-plated***

Designed for use in heating installations only.

Dimension	Item No.	DU 1	DU 2
16	7136161	10 pc.	100 pc.
20	7136201	10 pc.	200 pc.

**TECEflex Eurocone screw connection 3/4" with TECEflex press connection made of standard brass***

Dimension	Item No.	DU 1	DU 2
16	763616	10 pc.	100 pc.
20	763620	10 pc.	100 pc.

**TECEflex adapter screw connection with metallic sealing elements, standard brass**

Adapter screw connection for hard copper pipes, standard brass.

Dimension	Item No.	DU 1	DU 2
16 x 15 mm Cu	713805	10 pc.	100 pc.
20 x 22 mm Cu	713806	10 pc.	100 pc.

**TECE pipe connector 1/2" x 3/4" MT**

Nickel-plated pipe connector 1/2" x 3/4" Eurocone to connect radiators.

Dimension	Item No.	DU 1	DU 2
1/2" x 3/4" EC	8740440	10 pc.	100 pc.



* The Eurocone is not subject to any standards and its use must be checked by the customer!

TECEflex – System components

TECEflex flush-mounted ball valve with handwheel*

Flush-mounted ball valve for shutting off TECEflex pipes. Body and screw-in part made of standard brass in accordance with EN 12164. Spindle with two O-rings, providing better guiding of the spindle and double safety. Ball made of chrome-plated brass. Ball seal made of PTFE. Full penetration, therefore minimum loss of pressure.

Max. permanent operating pressure: 90 °C. Pressure rating: 10 bar

Design:

- TECEflex connection on both sides
- With covering anchor plate and handle (chrome-plated)
- With colour coding (red/blue)



Dimension	Item No.	DU 1	DU 2
16 x 16	751016	1 pc.	10 pc.
20 x 20	751020	1 pc.	10 pc.

TECEflex flush-mounted ball valve with dummy cap*

Flush-mounted ball valve for shutting off TECEflex pipes. Body and screw-in part made of standard brass in accordance with EN 12164. Spindle with two O-rings, providing better guiding of the spindle and double safety. Ball made of chrome-plated brass. Ball seal made of PTFE. Full penetration, therefore minimum loss of pressure.

Max. permanent operating pressure: 90 °C. Pressure rating: 10 bar

Design:

- TECEflex connection on both sides
- With covering anchor plate and handle (chrome-plated)
- With colour coding (red/blue)



Dimension	Item No.	DU 1	DU 2
16 x 16	751116	1 pc.	10 pc.
20 x 20	751120	1 pc.	10 pc.

TECE flush-mounted extension, 23 mm

Flush-mounted extension 23 mm for concealed ball valves 1/2".

Dimension	Item No.	DU 1	DU 2
1/2"	8780200	1 pc.	20 pc.



TECE stainless steel heating circuit manifold without flow rate indicator

Stainless steel radiator distribution manifold made of stainless-steel rectangular hollow section 40 x 1.5 mm, (grade 1.4301) in accordance with EN 10088, G 1" union nut on primary side, flat sealing, nickel-plated brass, distance to heating circuit 50 mm.

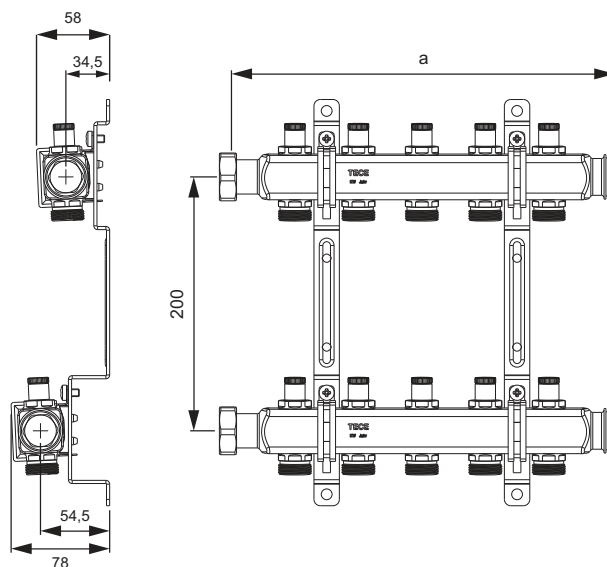
Fully pre-assembled feed and return with:

- Manifold bar with integrated control valves and black protective caps, in accordance with EN 1264-4, outgoing side with pipe connectors on G 3/4" male thread, inside cone in accordance with EN 16313, nickel-plated brass
- Two blanking plugs G 3/4", nickel-coated brass

Packaged in a sturdy carton including:

- Two dual wall brackets 200 x 54.4 x 34.5 with structure-borne sound insulation inserts (DIN 4109) incl. mounting material (1 dual wall bracket for manifold with 2 heating circuits)
- Two flat seals 1"

Version	a	Item No.	DU 1
2 heating circuits	152 mm	7 12540	1 pc.
3 heating circuits	202 mm	7 12541	1 pc.
4 heating circuits	252 mm	7 12542	1 pc.
5 heating circuits	302 mm	7 12543	1 pc.
6 heating circuits	352 mm	7 12544	1 pc.
7 heating circuits	402 mm	7 12545	1 pc.
8 heating circuits	452 mm	7 12546	1 pc.
9 heating circuits	502 mm	7 12547	1 pc.
10 heating circuits	552 mm	7 12548	1 pc.
11 heating circuits	602 mm	7 12549	1 pc.
12 heating circuits	652 mm	7 12550	1 pc.



TECEflex – Manifolds

TECE stainless steel heating circuit manifold without flow rate indicator and control valves

Stainless steel radiator distribution manifold made of stainless-steel rectangular hollow section 40 x 1.5 mm (grade 1.4301) to EN 10088, with G 1" union nut on primary side, flat sealing, nickel plated brass, distance to heating circuit 50 mm.

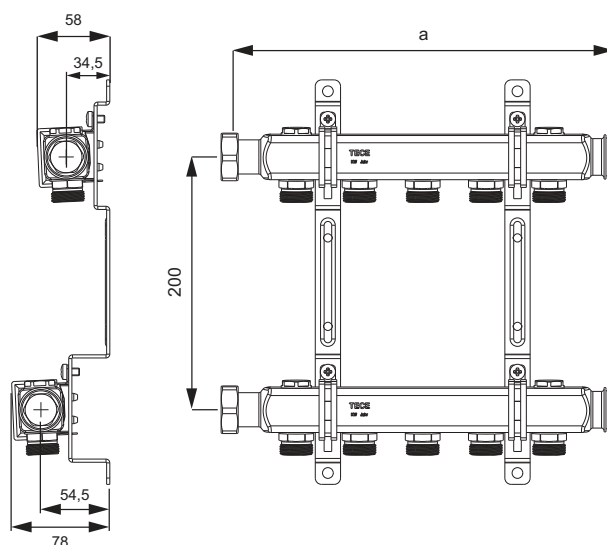
Fully pre-assembled feed and return with:

- Manifold bar with pipe connectors on G 3/4" male thread, inside cone to EN 16313, nickel-plated brass
- Two blanking plugs G 3/4", nickel-plated brass
- Four blanking plugs G 1/2", nickel-plated brass

Packaged in a sturdy carton including:

- Two dual wall brackets 200 x 54.4 x 34.5 with structure-borne sound insulation inserts (DIN 4109) incl. mounting material (1 dual wall bracket for distributor with 2 heating circuits)
- Two flat seals 1"

Version	a	Item No.	DU 1
2 heating circuits	152 mm	7 12551	1 pc.
3 heating circuits	202 mm	7 12552	1 pc.
4 heating circuits	252 mm	7 12553	1 pc.
5 heating circuits	302 mm	7 12554	1 pc.
6 heating circuits	352 mm	7 12555	1 pc.
7 heating circuits	402 mm	7 12556	1 pc.
8 heating circuits	452 mm	7 12557	1 pc.
9 heating circuits	502 mm	7 12558	1 pc.
10 heating circuits	552 mm	7 12559	1 pc.
11 heating circuits	602 mm	7 12560	1 pc.
12 heating circuits	652 mm	7 12561	1 pc.



TECE fill and drain set with ventilation function 3/4" for TECE heating circuit manifold

Item No.	DU 1
7 12562	1 set



TECEflex manifold, silicon bronze

Manifold trunk 3/4"; one side with Rp 3/4"; female thread, other side with R 3/4"; male thread. TECEflex outlets dim. 16 (without 3/4"; cap and plug).

Dimension	Item No.	DU 1	DU 2
R 3/4" x Rp 3/4" x 16 Two-way	7 12201	1 pc.	12 pc.
R 3/4" x Rp 3/4" x 16 Three-way	7 12202	1 pc.	12 pc.



TECEflex manifold made of standard brass

Manifold trunk, one side with Rp 3/4" female thread, other side with R 3/4" male thread, with TECEflex outlets dimension 16.

Dimension	Item No.	DU 1	DU 2
R 3/4" x Rp 3/4" x 16 Two-way	7 62201	1 pc.	12 pc.
R 3/4" x Rp 3/4" x 16 Three-way	7 62202	1 pc.	12 pc.



TECE universal manifold, with shut-off, standard brass

TECE manifold, valve with shut-off FT/MT, outlet 3/4" Eurocone.



Dimension	Item No.	DU 1	DU 2
3/4" x 3/4" EC Two-way	8730006	1 pc.	24 pc.
3/4" x 3/4" EC Three-way	8730007	1 pc.	24 pc.
1" x 3/4" EC Two-way	8730010	1 pc.	24 pc.
1" x 3/4" EC Three-way	8730011	1 pc.	24 pc.
1" x 3/4" EC four-way	8730040	1 pc.	12 pc.

TECE double bracket for 3/4" and 1" manifold

Robust bracket for mounting the 3/4" and 1" TECE manifold with sound insulation inserts.



Item No.	DU 1	DU 2
8730014	1 set	25 set

TECEflex – Gas installation



TECEflex – Gas installation

TECEflex can be used for domestic gas installations in Germany up to a pressure of 100 mbar. The certification applies for gases of the second and third Gas family (natural and liquefied gas). The regulations in accordance with the TRGI 2018 und der TRF 2021 apply for the installation. In addition, the regional building regulation as well as the regional fire protection regulations have to be observed for an expert installation. The national regulations, standards and worksheets as well as the accident prevention regulations and the recognised engineering rules also apply. The technical specification of TECEflex system shall have to be observed.

The following are available for gas installation:

- Metal fittings made of brass or silicon bronze
- Multi-layer composite pipes in yellow
- Gas safety valves specially devised for the TECEflex system with integrated type K gas flow monitor and thermal shut-off unit

Restrictions:

- No PPSU fittings may be used.
- Only the yellow multi-layer composite pipes may be used for gas installation. The use of plastic pipes or the white multi-layer composite pipes is not permitted.

TECEflex multi-layer composite pipe PE-Xc/Al/PE-RT, yellow

Multi-layer composite pipe suitable for indoor gas installations. The regulations in accordance with TRGI 2018 and TRF 2021 shall apply for the installation.

Dimension	Item No.	DU 1	DU 2	DU 3
16 - Roll	732316	100 m	1000 m	2000 m
16 - Roll	732330	25 m	250 m	-
20 - Roll	732320	100 m	700 m	1400 m
20 - Roll	732331	25 m	250 m	-
25 - Roll	732325	50 m	250 m	500 m
25 - Roll	732332	25 m	250 m	-
32 - Roll	782032	25 m	125 m	-
16 - Rod	732416	100 m	-	-
20 - Rod	732420	70 m	-	-
25 - Rod	732425	45 m	-	-
32 - Rod	732432	30 m	-	-
40 - Rod	732440	15 m	-	-
50 - Rod	732450	15 m	-	-
63 - Rod	732463	5 m	-	-

(rod each 5 m)



TECEflex corrugated sheath pipe, yellow for 32 mm TECEflex multi-layer composite pipe

Yellow corrugated sheath pipe 32 mm for yellow TECEflex multi-layer composite pipe.

Dimension	Item No.	DU 1	DU 2
32 - Roll	782033	25 m	250 m



TECEflex multi-layer composite pipe PE-Xc/Al/PE-RT, yellow, in yellow corrugated sheath pipe

Multi-layer composite pipe suitable for indoor gas installations. The regulations in accordance with TRGI 2018 and TRF 2021 shall apply for the installation.



Dimension	Item No.	DU 1	DU 2
16 - Roll	782016	50 m	500 m
20 - Roll	782020	50 m	350 m
25 - Roll	782025	25 m	150 m

TECEflex gas safety fitting, can be installed vertically upward or horizontally

Gas safety fitting, combines a thermal shut-off unit (TAE) with a type K gas flow detector in a metal housing. The fitting can be installed horizontally and vertically upright. Installation facing downward is not permitted. The safety has been tested in keeping with DVGW VP 305-1. One side with a parallel male thread to EN 10226-1 and on the other side with a TECEflex connection.



Dimension	Item No.	DU 1	DU 2
20 x R 1" GFG 2.5/TSO	750202	1 pc.	10 pc.
25 x R 1" GFG 2.5/TSO	750204	1 pc.	10 pc.
25 x R 1" GFG 4/TSO	750206	1 pc.	10 pc.
32 x R 1" GFG 4/TSO	750208	1 pc.	10 pc.
32 x R 1" GFG 6/TSO	750210	1 pc.	10 pc.

TECEflex – Accessories

TECEflex hygienic closure set in case

For closing pipe ends during the construction phase. Set consists of closures for female and male threads as well as for open pipe ends and nozzles. Packed in assortment case.

Contents consist of:

- 1 x closures for female thread Rp 1/2" to Rp 2"
- 1 x closures for male thread R 1/2" to R 2"
- 1 x closures for Flex nozzle dim. 16 to dim. 63
- 1 x closures for Flex pipe ends dim. 16 to dim. 63



Dimension	Item No.	DU 1	DU 2
16-63	720580	1 set	10 set

TECEflex hygienic closure female thread

For female thread from Rp 1/2" to Rp 2", refill pack.

Content consisting of:

- 30 x closures for female thread Rp 1/2"
- 25 x closures for female thread Rp 3/4"
- 10 x closures for female thread Rp 1"
- 10 x closures for female thread Rp 1 1/4"
- 8 x closures for female thread Rp 1 1/2"
- 6 x closures for female thread Rp 2"



Dimension	Item No.	DU 1	DU 2
Rp 1/2"-Rp 2"	720581	1 set	10 set

TECEflex hygienic closure male thread

For male thread from R 1/2" to R 2", refill pack.

Content consisting of:

- 30 x closures for male thread R 1/2"
- 25 x closures for male thread R 3/4"
- 10 x closures for male thread R 1"
- 10 x closures for male thread R 1 1/4"
- 8 x closures for male thread R 1 1/2"
- 6 x closures for male thread R 2"



Dimension	Item No.	DU 1	DU 2
R 1/2"-R 2"	720582	1 set	10 set

TECEflex hygienic closure nozzle

For nozzles of dim. 16-63, refill pack.

Content consisting of:

- 30 x closures for nozzle dim. 16
- 25 x closures for nozzle dim. 20
- 10 x closures for nozzle dim. 25
- 10 x closures for nozzle dim. 32
- 10 x closures for nozzle dim. 40
- 8 x closures for nozzle dim. 50
- 6 x closures for nozzle dim. 63



Dimension	Item No.	DU 1	DU 2
16-63	720583	1 set	10 set

TECEflex hygienic closure pipe

For open pipe ends of dim. 16-63, refill pack.

Content consisting of:

- 30 x closures for pipe end dim. 16
- 25 x closures for pipe end dim. 20
- 10 x closures for pipe end dim. 25
- 10 x closures for pipe end dim. 32
- 10 x closures for pipe end dim. 40
- 8 x closures for pipe end dim. 50
- 6 x closures for pipe end dim. 63



Dimension	Item No.	DU 1	DU 2
16-63	720584	1 set	10 set

TECE pipe clip made of polyamide, white

One-piece pipe clip made of white polyamide. Pipe clip closes when pipe is pressed in. Thanks to patented lateral guides, two or more clips can be joined together.

Note:

Not permitted for gas installation!



Dimension	Item No.	DU 1	DU 2
14	785036	100 pc.	2000 pc.
16	785037	100 pc.	2000 pc.
20	785038	50 pc.	1000 pc.
25	785039	50 pc.	1000 pc.
32	785040	50 pc.	1000 pc.
40	785041	25 pc.	250 pc.

TECE pipe bend guides

Pipe bend guides made of plastic, to guide pipes out of the screed.

Dimension	Item No.	DU 1	DU 2
14-17 mm	77910010	25 pc.	200 pc.
18-20 mm	77910011	25 pc.	100 pc.
25 mm	77910012	25 pc.	100 pc.

**TECE wrap-around tape assembly**

Co-extruded three-layer tape for protecting TECE installation pipe connections against external corrosion influences.

Length 12.5 m, width 30 mm, thickness 1 mm



Item No.	DU 1	DU 2
720579	12.5 m	225 m

TECEflex – Tools

TECEflex manual pipe expanding tool, type: RAZ-V

To expand TECEflex PE-X and composite pipes dim. 16-32.

Consisting of:

- Pipe expanding tool, manual
- Expanding heads dim. 16-32
- Robust tool case



Dimension	Item No.	DU 1
16-32	720056	1 pc.

TECEflex manual pressing tool for pressure sleeve, type: HPW-L

For sliding on and pressing TECEflex pressure sleeves.

Consisting of:

- Manual pressing tool
- Fork heads dim. 14-32
- Robust tool case



Dimension	Item No.	DU 1
14-32	720050	1 pc.

TECEflex manual tool set

Consisting of:

- TECEflex manual pipe expanding tool
- Expanding heads dim. 16-32
- Manual pressing tool for TECEflex pressure sleeves
- Fork heads dim. 14-32
- Robust tool case



Dimension	Item No.	DU 1
16-32	720203	1 set
16-20	720204	1 set

TECEflex RazFaz cordless expanding tool

Light-weight and easy-to-handle tool for electric expanding of TECEflex pipes dim. 16-32.

Consisting of:

- RazFaz cordless expanding tool
- Expanding heads dim. 16-32
- Powerful NiMh rechargeable battery pack
- Fast battery charger
- Robust tool case



Dimension	Item No.	DU 1
16-32	720172	1 set

TECEflex RazFaz accumulator-operated pressing tool

Light-weight and easy-to-handle pressing tool for dimensions from 14-32 mm. Permits rational working even in narrow mounting situations or pressing directly on the wall.

Consisting of:

- RazFaz cordless pressing tool
- Double pressing forks dim. 14/16-20 and 25-32
- Powerful NiMh rechargeable battery pack
- Fast battery charger
- Robust tool case



Dimension	Item No.	DU 1
14-32	720173	1 set

TECEflex RazFaz tool set

Consisting of:

- RazFaz cordless expanding tool
- RazFaz cordless pressing tool
- Expanding heads dim. 16-32
- Double pressing forks dim. 14/16-20 and 25-32
- 2 rechargeable batteries
- Fast battery charger
- Robust tool case



Dimension	Item No.	DU 1
14-32	720174	1 set

TECEflex – Tools

TECEflex PMA 40 63 pressing tool and TECEflex expanding set in tool case

Pressing machine attachment for the mechanical pressing of TECEflex connections dim. 40-63. A standard commercial press machine with 32 kN pressure is required to use the tool.

Consisting of:

- Pressing machine attachment PMA 40 63
- Pressing forks dim. 40-63
- Expanding tool AWS 40 63 for pressing machines
- Expanding heads dim. 40-63
- Robust tool case



Dimension	Item No.	DU 1
40-63	720170	1 set

TECEflex expanding head for AWS 40 63

For the expanding tool AWS 40 63 of the PMA 40 63 set for TECEflex pipes dim. 25 and 32.



Dimension	Item No.	DU 1
25 and 32	720128	1 pc.

TECE bending machine dimension 16-32 mm

Compact, one-hand pipe bender, dimension 16-32 mm for TECEflex and TECElogo multi-layer composite pipes to produce consistent pipe bends. Complete with case, with matrices for 16/20/25/32 mm. Bending angle 0-90°.



Item No.	DU 1
720222	1 pc.

TECE bending machine dimension 40-63 mm

Manually operated hydraulic bending machine for TECEflex and TECElogo multi-layer composite pipes, dimensions 40-63 mm for use on-site or prefabrication. Complete with wooden box, with matrices for 40/50/63 mm. Bending angle 0-90°.



Item No.	DU 1
720223	1 pc.

TECEflex pipe cutter

Caution: Use the pipe cutter to cut TECEflex pipes only!

Dimension	Item No.	DU 1
14-25	720005	1 pc.
14-40	720093	1 pc.

**TECE pipe cutter**

Dimension	Item No.	DU 1
14-63	8760008	1 pc.

**TECE corrugated sheath pipe cutter**

For corrugated sheath pipe 14-25 mm.

Dimension	Item No.	DU 1
14-25	720090	1 pc.

**TECEflex calibrator**

For TECEflex pipes of dimensions 14, 16 and 20. For the assembly of TECEflex clamped joint.

Dimension	Item No.	DU 1	DU 2
14-20	720040	10 pc.	100 pc.

**TECE laying winder**

Laying winder, foldable, variably adjustable for TECEfloor, TECEflex and TECElogo rolls up 600 m length.

Dimension	Item No.	DU 1
up to 600 m	720193	1 pc.

**TECE pipe straightener**

To be mounted on the laying winder for straight removal of 16 and 20 mm TECEflex and TECElogo composite pipes.

Dimension	Item No.	DU 1
16 and 20	720194	1 pc.



TECEflex – Starter set

TECEflex starter set silicon bronze/PPSU

Plastic assortment case with standard parts from the TECEflex range, threaded components made of silicon bronze.

Pos.	Item No.	Designation	Quantity
1	734516	Pressure sleeve composite pipe 16	100
2	705102	Female connector 16 x Rp 1/2"	10
3	708610	Wall disk 16 x Rp 1/2"	10
4	705601	Male connector 16 x R 1/2"	10
5	730916	Tee 16 x 16 x 16	10
6	737016	Elbow 90° 16 x 16	10
7	736016	Coupling 16 x 16	10

Dimension	Item No.	DU 1
16	700004	1 pc.



TECEflex starter set (standard brass)*

Plastic assortment case with common components of the TECEflex range (dimension 16).

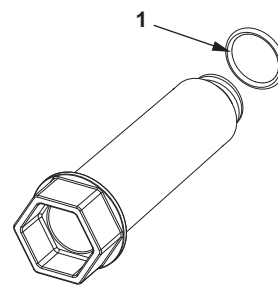
Pos.	Item No.	Designation	Quantity
1	734516	Pressure sleeve composite pipe 16	100
2	765002	Female connector 16 x Rp 1/2"	10
3	768516	Wall disk 16 x Rp 1/2"	10
4	765502	Male connector 16 x R 1/2"	10
5	760016	Tee 16 x 16 x 16	10
6	767016	Elbow 90° 16 x 16	10
7	766016	Coupling 16 x 16	10

Dimension	Item No.	DU 1
16	700002	1 pc.



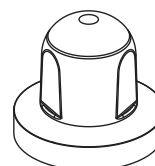
TECE Seal System assembly plug with sealing sleeve

Pos.	Item No.	Designation	DU 1
1	704808	O-ring for assembly plug 1/2"	10 pc.
	704814	O-ring for assembly plug 3/4"	10 pc.



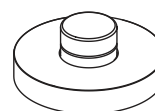
TECEflex flush-mounted ball valve with handwheel

Pos.	Item No.	Designation	DU 1
1	8780000	Handwheel	1 pc.



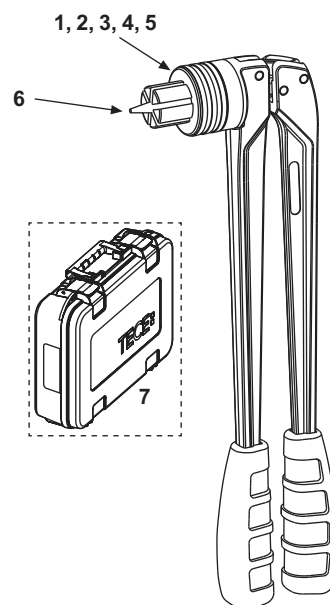
TECEflex flush-mounted ball valve with dummy cap

Pos.	Item No.	Designation	DU 1
1	8780100	Dummy cap	1 pc.



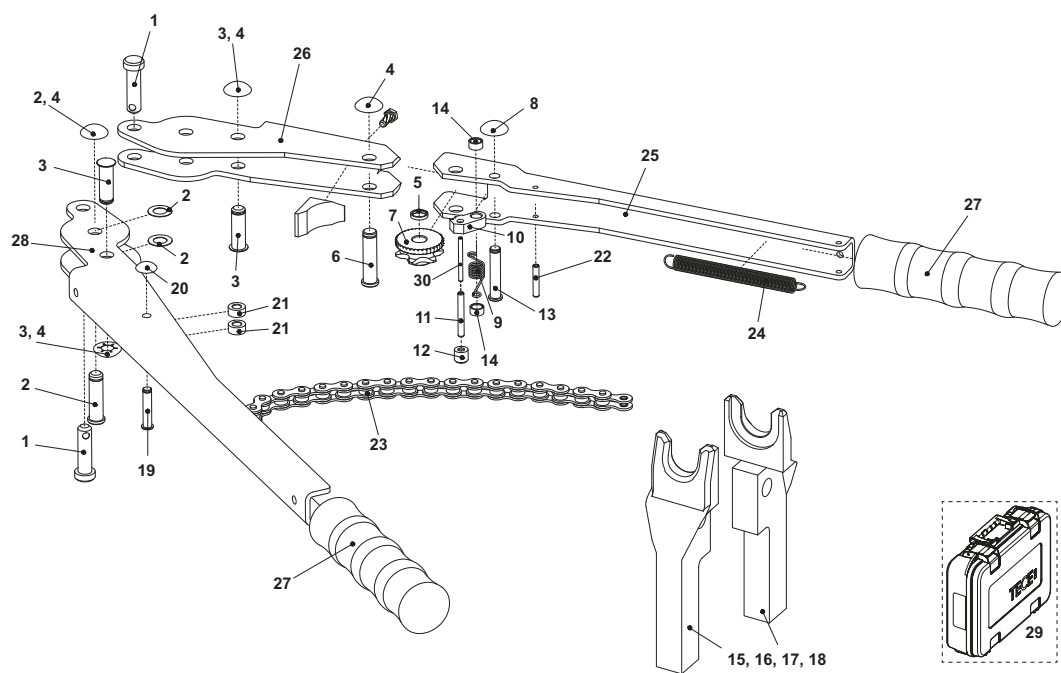
720056 – TECEflex manual pipe expanding tool, type: RAZ-V

Pos.	Item No.	Designation	DU 1
1	720041	Expanding head V 14 mm	1 pc.
2	720042	Expanding head V 16 mm	1 pc.
3	720043	Expanding head V 20 mm	1 pc.
4	720045	Expanding head V 25 mm	1 pc.
5	720046	Expanding head V 32 mm	1 pc.
6	720095	Spare mandrel for RAZ-V	1 pc.
7	720202	Tool case for TECEflex manual tools	1 pc.



TECEflex – Spare parts

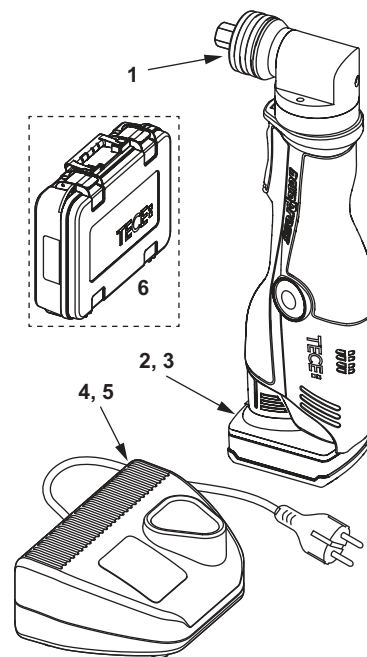
720050 – TECEflex manual pressing tool for pressure sleeve, type: HPW-L



Pos.	Item No.	Designation	DU 1
1	720064	Retaining bolts for fork heads	1 pc.
2	720048	Central bolt including retaining ring	1 pc.
3	720072	Fork connection bolt including retaining ring	1 pc.
4	720096	Retaining ring for central, fork connection and sprocket bolts	1 pc.
5	720169	Spacer ring for sprocket bolts	1 pc.
6	720097	Bolt for sprocket	1 pc.
7	720158	Sprocket	1 pc.
8	720069	Retaining ring for pawl	1 pc.
9	720060	Hinge spring for pawl	1 pc.
10	720110	Pawl	1 pc.
11	720165	Sleeve for pawl	1 pc.
12	720166	Cap	1 pc.
13	720160	Bolt for pawl	1 pc.
14	720168	Spacer ring for pawl	1 pc.
15	720061	Yoke set 14/16 mm	1 pc.
16	720062	Yoke set 20 mm	1 pc.
17	720063	Yoke set 25 mm	1 pc.
18	720079	Yoke set 32 mm	1 pc.
19	720066	Chain pin	1 pc.
20	720067	Circlip for chain pin	1 pc.
21	720161	Spacer ring for sprocket bolts	1 pc.
22	720162	Spring pin for hinge spring	1 pc.
23	720102	Roller chain	1 pc.
24	720091	Tensioning spring for roller chain	1 pc.
	720115	Conversion set to replace tensioning spring (until 06/2001) with hinge spring (from 07/2001)	1 pc.
25	720157	Handle, long	1 pc.
26	720156	Handle, short	1 pc.
27	720153	Protective handle	1 pc.
28	720150	Handle	1 pc.
29	720202	Tool case for TECEflex manual tools	1 pc.
30	720167	Spring pin for pawl	1 pc.

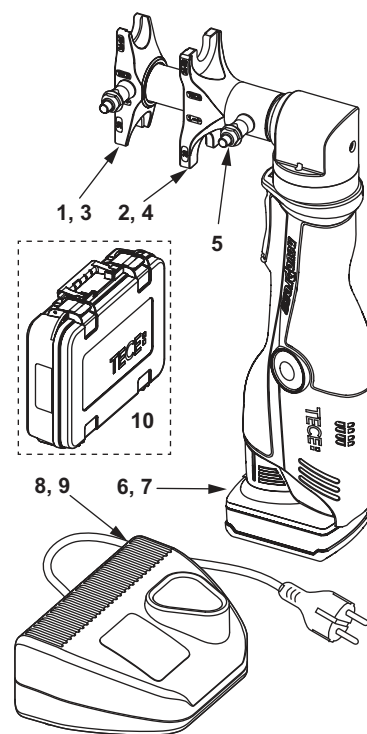
720172 – TECEflex RazFaz cordless expanding tool

Pos.	Item No.	Designation	DU 1
1	720041	Expanding head V 14 mm	1 pc.
	720042	Expanding head V 16 mm	1 pc.
	720043	Expanding head V 20 mm	1 pc.
	720045	Expanding head V 25 mm	1 pc.
	720046	Expanding head V 32 mm	1 pc.
2	720210	Li-Ion rechargeable battery 3.0 Ah for RazFaz tools (from 2014, red tools)	1 pc.
3	720175	NiMh spare rechargeable battery 3.0 Ah for RazFaz devices (until 2014, black tools)	1 pc.
4	720211	Charger for RazFaz devices (from 2014, red tools)	1 pc.
5	720179	Charger for RazFaz tools (until 2014, black tools)	1 pc.
6	720212	Tool case for RazFaz tools	1 pc.



720173 – TECEflex RazFaz accumulator-operated pressing tool

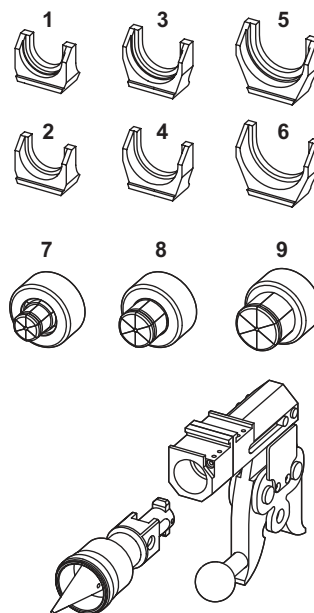
Pos.	Item No.	Designation	DU 1
1	720205	RazFaz pressing forks 14/16-20 front	1 pc.
2	720206	RazFaz pressing forks 14/16-20 rear	1 pc.
3	720207	RazFaz pressing forks 25-32 front	1 pc.
4	720208	RazFaz pressing forks 25-32 rear	1 pc.
5	720209	Replacement bolt for RazFaz cordless pressing tool	1 pc.
6	720210	Li-Ion rechargeable battery 3.0 Ah for RazFaz tools (from 2014, red tools)	1 pc.
7	720175	NiMh spare rechargeable battery 3.0 Ah for RazFaz devices (until 2014, black tools)	1 pc.
8	720211	Charger for RazFaz devices (from 2014, red tools)	1 pc.
9	720179	Charger for RazFaz tools (until 2014, black tools)	1 pc.
10	720212	Tool case for RazFaz tools	1 pc.



TECEflex – Spare parts

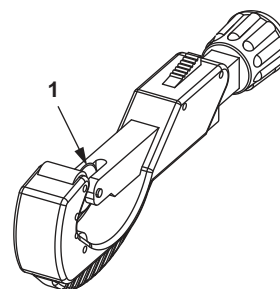
720170 – TECEflex PMA 40 63 pressing tool and TECEflex expanding set in tool case

Pos.	Item No.	Designation	DU 1
1	720213	PMA 40 63 pressing forks 40 mm fitting	1 pc.
2	720214	PMA 40 63 pressing forks 40 mm sleeve	1 pc.
3	720215	PMA 40 63 pressing forks 50 mm fitting	1 pc.
4	720216	PMA 40 63 pressing forks 50 mm sleeve	1 pc.
5	720217	PMA 40 63 pressing forks 63 mm fitting	1 pc.
6	720218	PMA 40 63 pressing forks 63 mm sleeve	1 pc.
7	720219	PMA 40 63 expanding head 40 mm	1 pc.
8	720220	PMA 40 63 expanding head 50 mm	1 pc.
9	720221	PMA 40 63 expanding head 63 mm	1 pc.



8760008 – TECE pipe cutter

Pos.	Item No.	Designation	DU 1
1	8760009	Replacement cutting wheel for pipe cutter	1 pc.



TECEflex system pipes	Composite pipes							
Pipe designation	PE-Xc/Al/PE-RT							
Dimension	14	16	20	25	32	40	50	63
Delivery length – roll in m	120	100	100	50	25	-	-	-
Ready-cut pipes in m (5 m/pipe)	-	100	70	45	30	15	15	5
Field of application*	HKA, FBH, DLA	TWA, HKA, FBH, DLA, GAS		TWA, HKA, DLA, GAS				
Application class/ operating pressure	2/10 bar 5/10 bar							
Colour	white	white yellow						
Outside diameter in mm	15	17	21	26	32	40	50	63
Wall thickness in mm	2.60	2.75	3.45	4.00	4.00	4.00	4.50	6.00
Inside diameter in mm	9.8	11.5	14.1	18	24	32	41	51
Available in corrugated protective pipe	yes				-			
Available with insulation $\lambda = 0.040 \text{ W/(mK)}$								
- 6 mm	--		yes				--	
- 9 mm	--		yes				--	
- 13 mm	--		yes				--	
- 26 mm	--		yes				--	
Pipe weight empty in kg/m	0.11	0.14	0.21	0.30	0.40	0.53	0.80	1.29
Internal volume in dm ³ /m	0.08	0.10	0.16	0.25	0.45	0.80	1.32	2.04
Pipe roughness in mm	0.007							
Thermal conductivity uninsulated in W/(m ² K)	0.35							
Coefficient of thermal expansion in mm/(mK)	0.026							
Minimum bending radius in mm (5 x dimension)	70	80	100 (80)**	125	160	200	250	315

* TWA - potable water systems; HKA - radiator connection; FBH - floor heating; DLA - compressed air systems; GAS - gas installation
The classification of the application classes corresponds to the information in ISO 10508[4].

** Pipes of dimension 20 can also be bent with 4 times the dimension.

TECEflex – Technical pipe data

TECEflex system pipes	PE-Xc 5S universal pipe in accordance with EN ISO 15875		PE-Xa 5S universal pipe in accordance with EN ISO 21003		
Pipe designation	PE-Xc 5S		PE-Xa 5S		
Dimension	16	20	16	20	25
Delivery length – roll in m	200	120	100	100	50
Ready-cut pipes in m (5 m/pipe)	--	--	--	--	--
Field of application*	TWA,FBH, HKA, DLA		TWA,FBH, HKA, DLA		
Application class/operating pressure	2/10 bar 5/6 bar		2/10 bar 5/10 bar		
Colour	silver		white		
Outside diameter in mm	16	20	16	20	25
Wall thickness in mm	2.2	2.8	2.2	2.8	3.5
Inside diameter in mm	11.6	14.4	11.6	14.4	18
Available in corrugated protective pipe	yes		--		
Lieferbar mit Dämmung $\lambda = 0,040 \text{ W}/(\text{m} \cdot \text{K})$ - 6 mm - 9 mm - 13 mm	-- -- --		-- -- --		
Pipe weight empty in kg/m	0.09	0.14	0.09	0.14	0.22
Internal volume in dm ³ /m	0.11	0.16	0.11	0.16	0.25
Pipe roughness in mm	0.007		0.007		
Thermal conductivity uninsulated in W/(m ² K)	0.35		0.35		
Coefficient of thermal expansion in mm/(mK)	0.2		0.2		
Minimum bending radius in mm (5 x dimension)	80	100	80	100	125

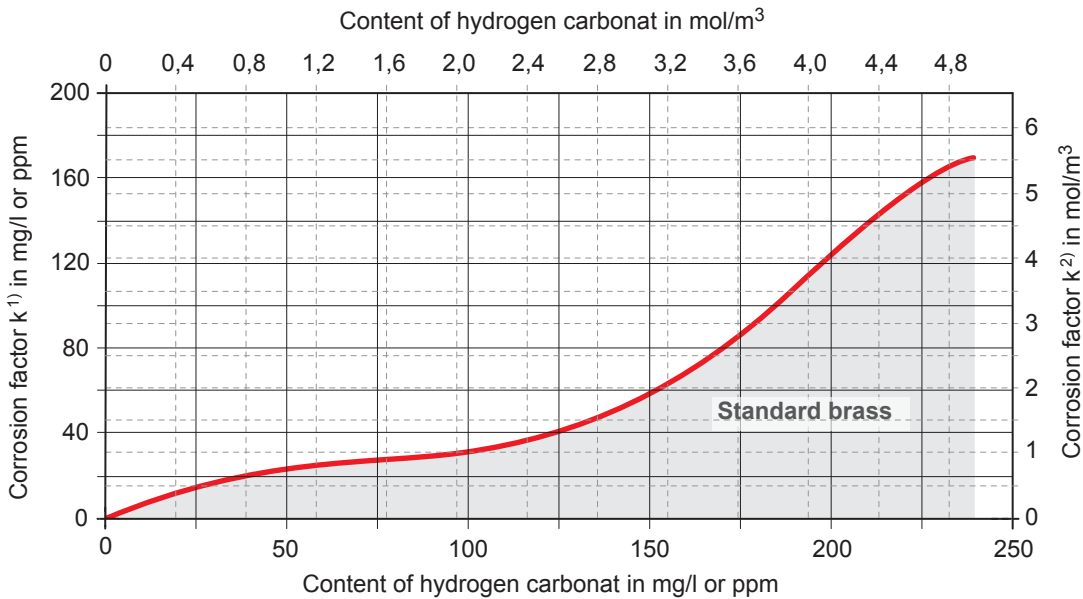
* TWA – potable water system; HKA – radiator connection; FBH – floor heating; DLA - compressed air systems
The classification of the application classes corresponds to the information in ISO 10508[4].

TECEflex system pipes	PE-Xc potable water pipes in accordance with DIN 16892			PE-Xc heating pipe in accordance with DIN 4726		
Pipe designation	PE-Xc			PE-Xc		
Dimension	16	20	25	16	20	25
Delivery length – roll in m	50	50	50	120	75	75
Ready-cut pipes in m (5 m/pipe)	-	-	-	-	-	-
Field of application*	TWA			FBH, HKA		
Application class/operating pressure	2/10 bar			5/6 bar		
Colour	mother of pearl			silver		
Outside diameter in mm	16	20	25	16	20	25
Wall thickness in mm	2.2	2.85	3.5	2.0	2.8	3.5
Inside diameter in mm	11.6	14.3	18	12	14.4	18.0
Available in corrugated protective pipe	-			-		
Lieferbar mit Dämmung $\lambda = 0,040 \text{ W}/(\text{m} \cdot \text{K})$ - 6 mm - 9 mm - 13 mm						
		--			--	
		--			--	
		--			--	
Pipe weight empty in kg/m	0.09	0.14	0.22	0.08	0.14	0.22
Internal volume in dm ³ /m	0.11	0.16	0.25	0.11	0.16	0.25
Pipe roughness in mm	0.007			0.007		
Thermal conductivity uninsulated in W/(m ² K)	0.35			0.35		
Coefficient of thermal expansion in mm/(mK)	0.2			0.2		
Minimum bending radius in mm (5 x dimension)	80	100	125	80	100	125

* TWA – potable water system; HKA – radiator connection; FBH – floor heating; DLA - compressed air systems
The classification of the application classes corresponds to the information in ISO 10508[4].

TECEflex – Technical pipe data

Application limits of fittings made of standard brass for drinking water installations



¹⁾ k = content of chlorid Cl + 1/3 content of sulphate SO₄ (in mg/l)

²⁾ k = content of chlorid Cl + content of sulphate SO₄ (in mol/m³)

For water qualities that are above the limit curve, dezincification corrosion for standard brass is to be expected. They must not be used for these water qualities.

Application classes and classification of operating conditions in accordance with ISO 10508

Application class	Calculated temperature T _D °C	Operating duration ^b at T _D Years ^a	T _{max} °C	Operating duration at T _{max} Years	T _{mal} °C	Operating duration at T _{mal} Hours	Typical application area
1 ^a	60	49	80	1	95	100	Hot water supply (60 °C)
2 ^a	70	49	80	1	95	100	Hot water supply (70 °C)
3 ^c	20	0.5	50	4.5	65	100	Low-temperature floor heating
	30	20					
	40	25					
4 ^b	20	2.5	70	2.5	100	100	Floor heating and low-temperature radiator connection
	40	20					
	60	25					
5 ^b	20	14	90	1	100	100	High-temperature radiator connection
	60	25					
	80	10					

T_D = temperature for which the pipe system is designed. T_{max} = maximum temperature, which can occur for a short period.

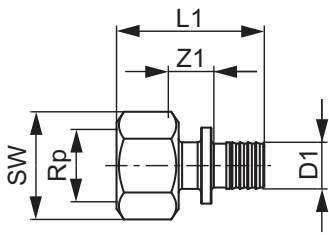
T_{mal} = highest maximum temperature, which can occur briefly in the event of a fault (maximum of 100 hours in 50 years).

^a A country can select either class 1 or class 2 in accordance with its national regulations.

^b For an application class, if more than one calculated temperature results for the operating period and its temperature, the associated times for the operating period should be added. "Plus cumulative" in the table implies a temperature combination of the specified temperature for an operating duration (e.g. the temperature combination for a duration of 50 years for class 5 comprises: 20 °C over 14 years, followed by 60 °C over 25 years, followed by 80 °C over 10 years, followed by 90 °C over 1 year, followed by 100 °C over 100 h).

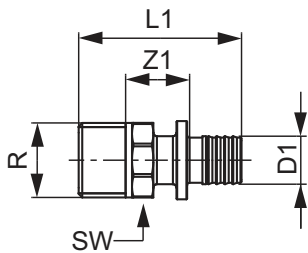
^c Only permitted if the temperature during a fault cannot rise above 65 °C.

TECEflex female connector



Dimension	Silicon bronze			Standard brass				
	Item No.	Z1	L1	SW	Item No.	Z1	L1	SW
16 x Rp 1/2"	705102	13	43	25	765002	13	43	27
20 x Rp 1/2"	705103	12	45	25	765003	13	45	27
20 x Rp 3/4"	705104	13	46	31	765004	15	48	32
25 x Rp 1"	705106	15	58	38	765009	15	58	40
25 x Rp 3/4"	705105	15	54	31	765007	16	56	32
32 x Rp 1"	705107	16	67	38	765008	16	67	40
40 x Rp 1 1/2"	705108	20	75	53	765010	20	75	56
50 x Rp 2"	705109	24	88	67	-	-	-	-
63 x Rp 2"	705110	22	94	67	-	-	-	-

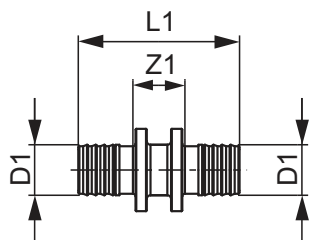
TECEflex male connector



Dimension	Silicon bronze			Standard brass				
	Item No.	Z1	L1	SW	Item No.	Z1	L1	SW
16 x R 1/2"	705601	18	46	21	765502	18	46	21
16 x R 3/4"	705602	18	47	27	765506	18	47	27
16 x R 3/8"	-	-	-	-	765514	18	44	22
20 x R 1/2"	705603	18	48	21	765503	18	48	21
20 x R 3/4"	705604	18	49	27	765504	18	49	17
25 x R 1"	705606	22	62	34	765508	22	63	24
25 x R 3/4"	705605	21	59	27	765507	19	57	22
32 x R 1"	705607	23	71	34	765509	25	73	34
32 x R 1 1/4"	705608	25	75	42	765510	25	75	43
40 x R 1 1/4"	705609	28	81	42	765511	28	81	43
50 x R 1 1/2"	705610	29	89	48	765512	30	88	48
63 x R 2"	705611	28	100	60	765513	30	99	60

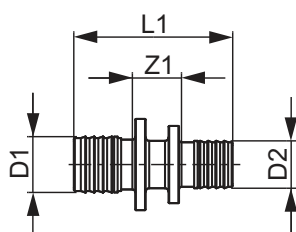
TECEflex – Dimensional drawings

TECEflex coupling



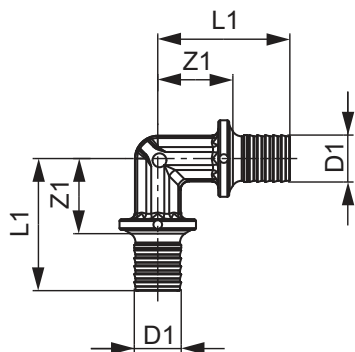
Dimension	Silicon bronze			PPSU			Standard brass		
	Item No.	Z1	L1	Item No.	Z1	L1	Item No.	Z1	L1
14 x 14	720594	14	43	-	-	-	-	-	-
16 x 16	706216	14	43	736016	15	48	766016	14	43
20 x 20	706220	14	48	736020	16	53	766020	14	48
25 x 25	706225	17	64	736025	16	64	766025	17	64
32 x 32	706232	19	81	736032	24	81	766032	19	81
40 x 40	706240	24	91	736040	28	91	766040	24	91
50 x 50	706250	26	103	-	-	-	766050	26	103
63 x 63	706263	28	118	-	-	-	766063	28	118

TECEflex coupling reduced



Dimension	Silicon bronze			PPSU			Standard brass		
	Item No.	Z1	L1	Item No.	Z1	L1	Item No.	Z1	L1
16 x 14	720595	14	43	-	-	-	-	-	-
20 x 16	706603	14	45	736503	15	50	766503	14	45
25 x 16	706604	15	53	736504	15	56	766504	15	53
25 x 20	706605	15	56	736505	16	58	766505	15	56
32 x 20	706606	16	64	736506	23	70	766506	16	64
32 x 25	706607	18	72	736507	23	75	766507	18	72
40 x 32	706608	22	87	736508	27	87	766508	22	87
50 x 40	706609	25	97	-	-	-	766509	25	97
63 x 50	706610	26	110	-	-	-	-	-	-

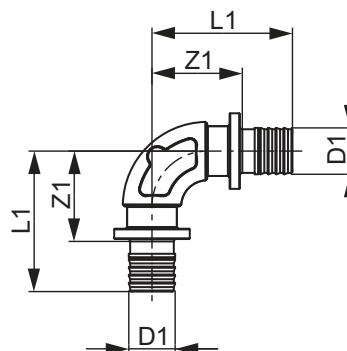
TECEflex 90° elbow



Dimension	PPSU		Standard brass			
	Item No.	Z1	L1	Item No.	Z1	L1
16 x 16	737016	22	38	767016	23	38
20 x 20	737020	24	43	767020	25	42
25 x 25	737025	28	52	767025	30	54
32 x 32	737032	35	64	767032	35	66
40 x 40	737040	41	73	767040	38	73
50 x 50	-	-	-	767050	45	84
63 x 63	-	-	-	767063	53	99

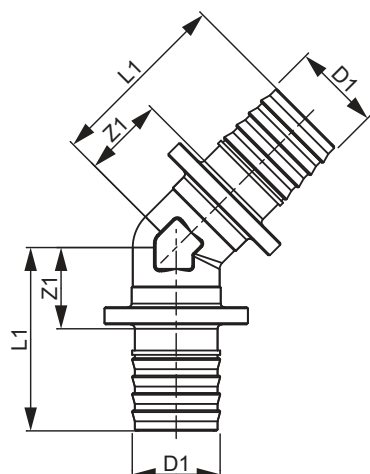
TECEflex 90° elbow pressure-loss optimised, silicon bronze

Dimension	Item No.	Z1	L1
16 x 16	707316	26	41
20 x 20	707320	28	45
25 x 25	707325	33	57
32 x 32	707332	39	70
40 x 40	707340	49	82
50 x 50	707350	55	93
63 x 63	707363	61	107
14 x 14	720593	26	41



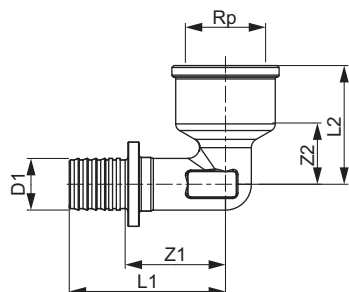
TECEflex - Dimensional drawings

TECEflex 45° elbow



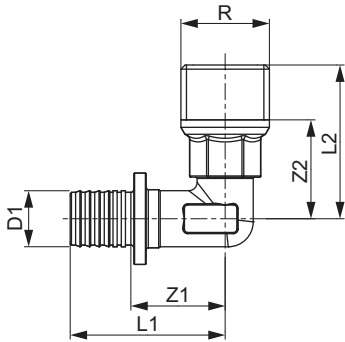
Dimension	Silicon bronze			Standard brass		
	Item No.	Z1	L1	Item No.	Z1	L1
25 x 25	707167	19	42	767125	19	42
32 x 32	707168	22	53	767132	22	53
40 x 40	707169	22	56	767140	22	56
50 x 50	707165	25	64	-	-	-
63 x 63	707166	29	74	-	-	-

TECEflex female elbow



Dimension	Silicon bronze				Standard brass					
	Item No.	Z1	Z2	L1	L2	Item No.	Z1	Z2	L1	L2
16 x Rp 1/2"	708101	26	16	41	31	768016	26	16	41	31
20 x Rp 1/2"	708102	26	18	43	33	768020	26	18	43	33
20 x Rp 3/4"	708103	29	23	46	40	768002	29	23	46	40
25 x Rp 3/4"	708104	31	24	54	40	768025	31	24	54	40
32 x Rp 1"	708105	36	25	67	45	768032	36	25	67	45
40 x Rp 1 1/2"	708106	45	29	78	50	-	-	-	-	-
50 x Rp 1 1/2"	708107	46	31	84	52	-	-	-	-	-

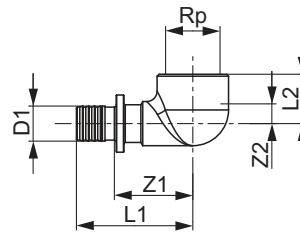
TECEflex male elbow



Dimension	Silicon bronze				Standard brass					
	Item No.	Z1	Z2	L1	L2	Item No.	Z1	Z2	L1	L2
16 x R 1/2"	707801	23	24	37	37	767516	23	24	37	37
20 x R 1/2"	707802	23	26	40	39	767520	23	26	40	39
20 x R 3/4"	707803	25	26	42	40	767501	25	26	42	40
25 x R 1"	707805	31	43	55	60	767526	31	43	55	60
25 x R 3/4"	707804	27	30	51	45	767525	27	30	51	45
32 x R 1"	707806	32	39	63	56	767532	32	39	63	56

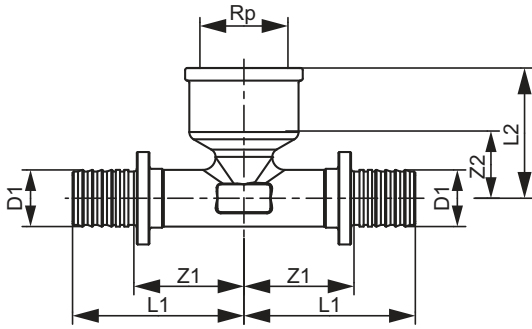
TECEflex compact angled connector, silicon bronze

Dimension	Item No.	Z1	Z2	L1	L2
16 x Rp 1/2"	708100	30	8	45	19



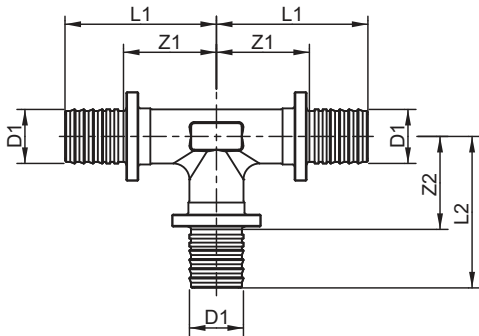
TECEflex - Dimensional drawings

TECEflex tee female thread



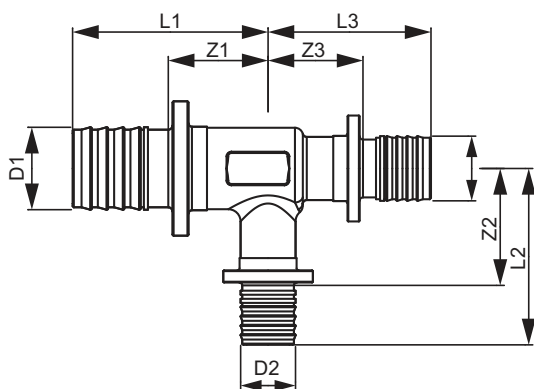
Dimension	Silicon bronze					Standard brass				
	Item No.	Z1	Z2	L1	L2	Item No.	Z1	Z2	L1	L2
16 x Rp 1/2" x 16	709801	26	16	41	31	769516	26	16	41	31
20 x Rp 1/2" x 20	709802	26	18	43	33	769520	26	18	43	33
25 x Rp 1/2" x 25	709803	28	10	51	25	769522	28	10	51	25
25 x Rp 3/4" x 25	709804	31	23	54	40	769525	31	23	54	40
32 x Rp 1/2" x 32	-	-	-	-	-	769527	29	7	60	22
32 x Rp 1" x 32	709805	35	26	66	45	769532	35	26	66	45
40 x Rp 1/2" x 40	-	-	-	-	-	769534	30	10	64	26
40 x Rp 1" x 40	709806	37	28	70	48	769540	37	28	70	48
40 x Rp 3/4" x 40	709809	33	15	67	30	-	-	-	-	-
50 x Rp 1 1/4" x 50	709807	43	33	82	55	-	-	-	-	-
50 x Rp 3/4" x 50	709810	34	19	73	35	-	-	-	-	-
63 x Rp 1 1/2" x 63	709808	53	31	99	52	-	-	-	-	-
63 x Rp 3/4" x 63	709811	53	30	99	43	-	-	-	-	-

TECEflex tee



Dimension	Silicon bronze				PPSU				Standard brass						
	Item No.	Z1	Z2	L1	L2	Item No.	Z1	Z2	L1	L2	Item No.	Z1	Z2	L1	L2
14 x 14 x 14	720591	24	24	39	39	-	-	-	-	-	-	-	-	-	-
16 x 16 x 16	710116	23	23	38	38	730916	17	22	34	38	760016	23	23	38	38
20 x 20 x 20	710120	25	25	42	42	730920	19	25	38	43	760020	25	25	42	42
25 x 25 x 25	710125	30	30	54	54	730925	24	28	48	52	760025	30	30	54	54
32 x 32 x 32	710132	35	35	66	66	730932	34	34	64	64	760032	35	35	66	66
40 x 40 x 40	710140	39	39	73	73	730940	41	41	73	73	760040	39	39	73	73
50 x 50 x 50	710150	45	45	84	84	-	-	-	-	-	-	-	-	-	-
63 x 63 x 63	710163	54	54	99	99	-	-	-	-	-	-	-	-	-	-

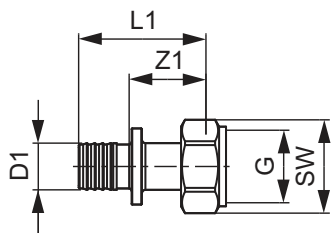
TECEflex tee reduced



Dimension	Silicon bronze							PPSU						Standard brass								
	Item No.	Z1	Z2	Z3	L1	L2	L3	Item No.	Z1	Z2	Z3	L1	L2	L3	Item No.	Z1	Z2	Z3	L1	L2	L3	
16 x 14 x 16	720592	24	24	24	39	39	39	-	-	-	-	-	-	-	-	-	-	-	-	-	-	-
16 x 20 x 16	710601	25	23	25	40	40	40	730504	19	22	19	35	41	35	760504	25	23	25	40	40	40	40
20 x 16 x 16	710602	23	25	23	40	40	38	730508	22	24	22	41	40	38	760508	23	25	23	40	40	40	38
20 x 16 x 20	710603	23	25	23	40	40	40	730509	22	24	22	40	40	40	760509	23	25	23	40	40	40	40
20 x 20 x 16	710604	25	25	25	42	42	40	730511	19	24	19	38	43	35	760511	25	25	25	42	42	40	40
20 x 25 x 20	710609	29	27	29	46	50	46	730521	21	24	21	40	48	40	760521	29	27	29	46	50	46	46
25 x 16 x 16	-	-	-	-	-	-	-	730516	22	27	22	46	44	38	760516	25	29	23	48	43	38	38
25 x 16 x 20	710605	25	29	23	48	43	40	730544	22	27	22	46	44	41	760544	25	29	23	48	43	40	40
25 x 16 x 25	710606	25	29	29	48	43	48	730514	22	27	22	46	44	46	760514	25	29	29	48	43	48	48
25 x 20 x 20	710607	27	29	25	50	46	42	730522	19	28	19	43	46	38	760522	27	29	25	50	46	42	42
25 x 20 x 25	710608	27	29	27	50	46	50	730515	19	28	19	43	46	43	760515	27	29	27	50	46	50	50
25 x 32 x 25	-	-	-	-	-	-	-	-	-	-	-	-	-	-	760517	34	31	34	57	62	57	57
32 x 16 x 32	710610	26	32	26	57	47	57	730537	26	31	26	55	47	55	760537	26	32	26	57	47	57	57
32 x 20 x 25	-	-	-	-	-	-	-	-	-	-	-	-	-	-	760518	28	32	27	59	49	50	50
32 x 20 x 32	710611	28	32	28	59	49	59	730519	28	31	28	57	50	57	760519	28	32	28	59	49	59	59
32 x 25 x 25	710613	31	34	32	62	57	56	730520	32	32	28	60	55	52	760520	31	34	30	62	57	54	54
32 x 25 x 32	710612	31	34	31	62	57	62	730523	32	32	32	60	55	60	760523	31	34	31	62	57	62	62
32 x 32 x 20	-	-	-	-	-	-	-	-	-	-	-	-	-	-	760529	34	34	32	66	66	49	49
40 x 20 x 40	710614	29	35	29	63	52	63	730536	31	34	31	63	53	63	760536	29	35	29	63	52	63	63
40 x 25 x 32	-	-	-	-	-	-	-	-	-	-	-	-	-	-	760543	33	37	31	66	60	62	62
40 x 25 x 40	710615	33	37	33	66	60	66	730533	35	34	35	67	58	67	760533	33	37	33	66	60	66	66
40 x 32 x 32	710617	36	38	33	70	69	66	730525	38	38	36	70	67	64	760525	36	38	33	70	69	66	66
40 x 32 x 40	710616	36	38	36	70	69	70	730524	38	38	38	70	67	70	760524	36	38	36	70	69	70	70
50 x 20 x 50	710618	30	40	30	69	57	69	-	-	-	-	-	-	-	-	-	-	-	-	-	-	-
50 x 25 x 50	710619	34	42	34	72	65	72	-	-	-	-	-	-	-	760534	34	42	34	72	65	72	72
50 x 32 x 50	710620	37	43	37	76	74	76	-	-	-	-	-	-	-	760526	37	43	37	76	74	76	76
50 x 40 x 50	710621	40	44	40	79	78	79	-	-	-	-	-	-	-	-	-	-	-	-	-	-	-
63 x 32 x 63	710622	53	51	53	99	82	99	-	-	-	-	-	-	-	-	-	-	-	-	-	-	-
63 x 50 x 63	710623	53	53	53	99	92	99	-	-	-	-	-	-	-	-	-	-	-	-	-	-	-

TECEflex – Dimensional drawings

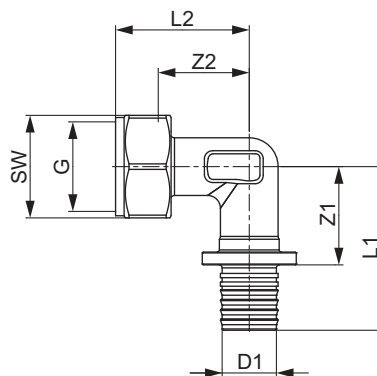
TECEflex screw connection, flat sealing



Dimension	Silicon bronze					Standard brass				
	Item No.	Z1	L1	G	SW	Item No.	Z1	L1	G	SW
16 x 1/2"	717601	22	37	1/2"	24	767578	22	37	1/2"	24
16 x 3/4"	717602	19	34	3/4"	29	767570	19	34	3/4"	29
16 x 3/8"	-	-	-	-	-	767579	22	37	3/8"	19
20 x 1/2"	-	-	-	-	-	767575	22	39	1/2"	24
20 x 1"	717604	20	37	1"	37	767576	20	37	1"	37
20 x 3/4"	717603	23	40	3/4"	29	767572	23	40	3/4"	29
25 x 1"	717605	29	53	1"	37	767574	29	53	1"	37
25 x 1 1/4"	717606	20	44	1 1/4"	46	-	-	-	-	-
25 x 3/4"	-	-	-	-	-	767573	23	48	3/4"	29
32 x 1"	-	-	-	-	-	767581	29	61	1"	37
32 x 1 1/2"	717608	22	53	1 1/2"	52	-	-	-	-	-
32 x 1 1/4"	717607	31	62	1 1/4"	46	-	-	-	-	-

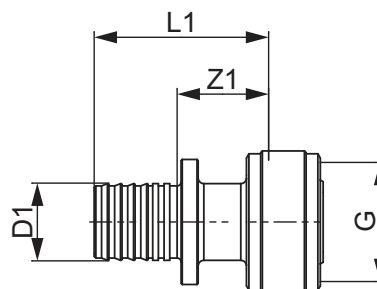
TECEflex elbow coupling, flat sealing, standard brass

Dimension	Item No.	Z1	Z2	L1	L2	G	SW
16 x 1/2"	767590	23	26	38	31	1/2"	24
20 x 1/2"	767591	23	28	41	33	1/2"	24
25 x 3/4"	767592	27	30	51	35	3/4"	29



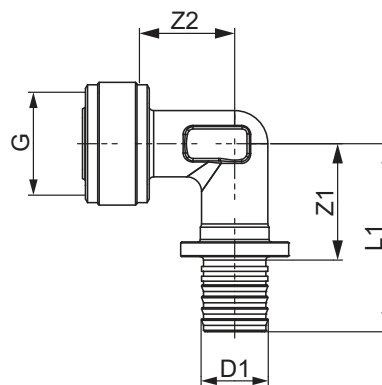
TECEflex quick adapter straight, silicon bronze

Dimension	Item No.	Z1	L1	G
16 x 1/2"	708630	22	36	1/2"



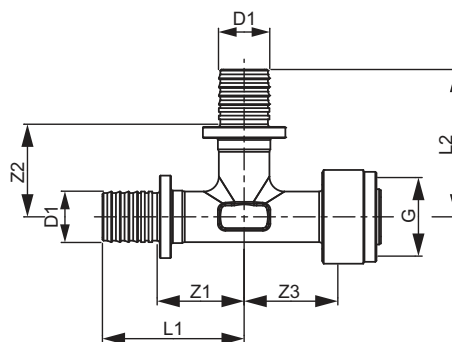
TECEflex quick adapter 90° angle, silicon bronze

Dimension	Item No.	Z1	Z2	L1	G
16 x 1/2"	708631	24	25	40	1/2"



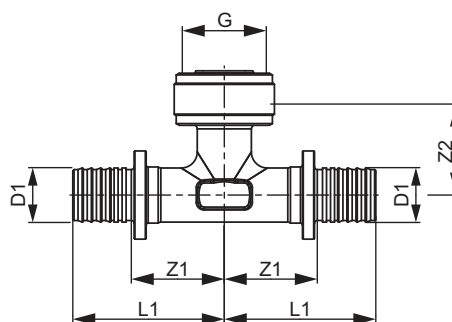
TECEflex quick adapter tee through type, silicon bronze

Dimension	Item No.	Z1	Z2	Z3	L1	L2	G
16 x 16 x 1/2"	708632	23	25	25	38	40	1/2"

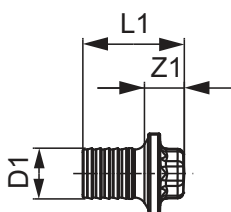


TECEflex quick adapter tee outlet, silicon bronze

Dimension	Item No.	Z1	Z2	L1	G
16 x 1/2" x 16	708633	23	26	38	1/2"



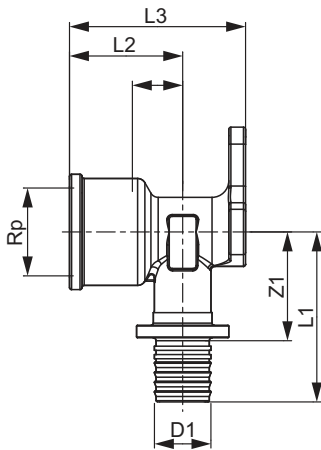
TECEflex end plug



Dimension	Item No.	PPSU		Standard brass		
		Z1	L1	Item No.	Z1	L1
16	730616	11	27	765116	9	23
20	730620	11	30	765120	9	26

TECEflex - Dimensional drawings

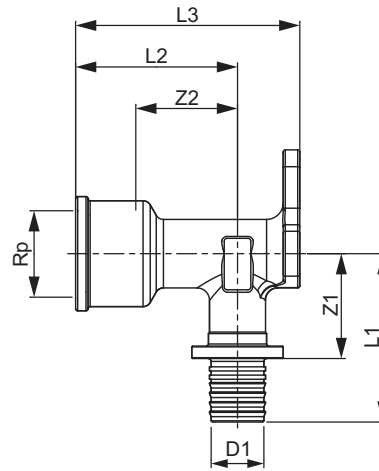
TECEflex wall disk



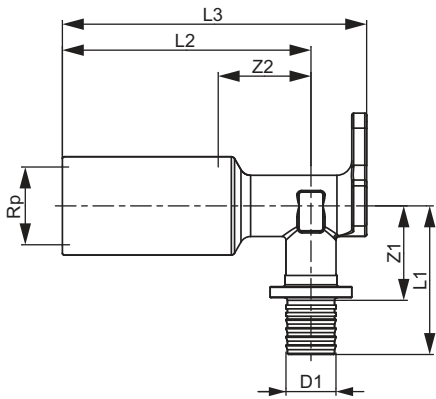
Dimension	Silicon bronze						Standard brass					
	Item No.	Z1	Z2	L1	L2	L3	Item No.	Z1	Z2	L1	L2	L3
14 x Rp 1/2"	720590	28	17	43	32	47	-	-	-	-	-	-
16 x Rp 1/2"	708610	26	12	41	27	42	768516	26	12	41	27	42
20 x Rp 1/2"	708611	26	12	43	27	42	768520	26	12	43	27	42
20 x Rp 3/4"	708612	29	15	46	31	46	768525	29	15	46	31	46
25 x Rp 3/4"	708613	31	11	54	28	46	768526	31	11	54	28	46

TECEflex wall disk, outlet 54 mm long, standard brass

Dimension	Item No.	Z1	Z2	L1	L2	L3
16 x Rp 1/2"	768503	25	25	41	39	54



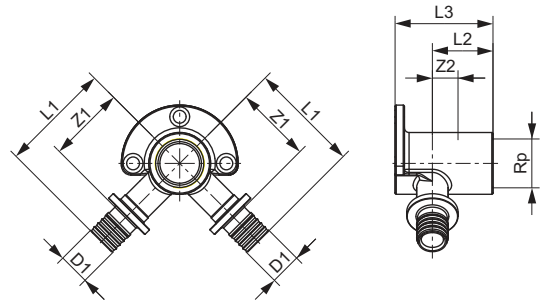
TECEflex wall disk, long



Dimension	Silicon bronze						Standard brass					
	Item No.	Z1	Z2	L1	L2	L3	Item No.	Z1	Z2	L1	L2	L3
16 x Rp 1/2"	708614	25	25	40	67	82	768502	25	25	40	67	82

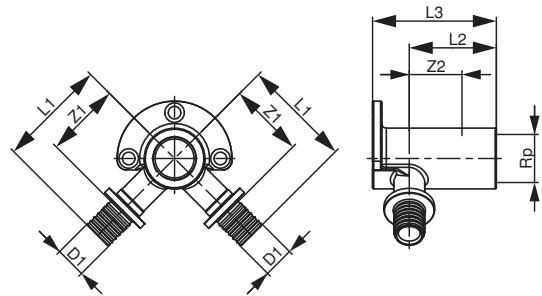
TECEflex double wall disk, standard brass

Dimension	Item No.	Z1	Z2	L1	L2	L3
16 x 1/2" x 16	768501	33	11	48	26	42



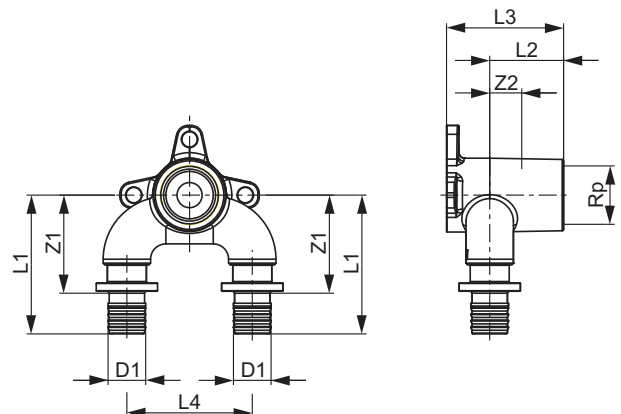
TECEflex double wall disk long, silicon bronze

Dimension	Item No.	Z1	Z2	L1	L2	L3
16 x Rp 1/2" x 16	708628	32	23	48	38	54



TECEflex U-double wall disk pressure-loss optimised, silicon bronze

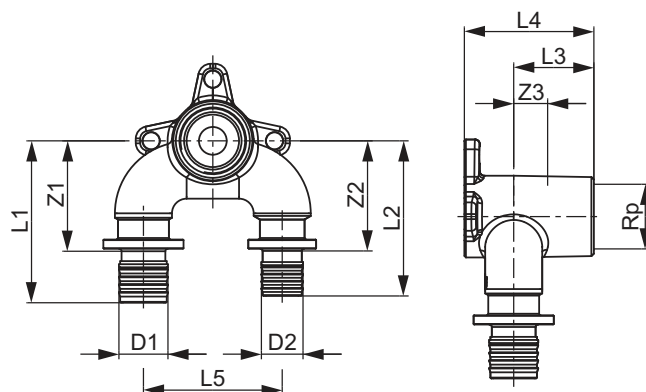
Dimension	Item No.	Z1	Z2	L1	L2	L3	L4
16 x Rp 1/2" x 16	708625	37	12	51	27	42	45
20 x Rp 1/2" x 20	708626	26	11	53	26	42	45



TECEflex - Dimensional drawings

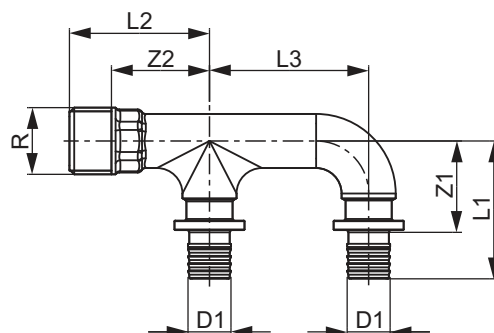
TECEflex U-double wall disk reduced pressure-loss optimised, silicon bronze

Dimension	Item No.	Z1	Z2	Z3	L1	L2	L3	L4	L5
16 x Rp 1/2" x 20	708606	36	36	11	50	53	26	42	45
20 x Rp 1/2" x 16	708607	36	36	11	53	50	26	42	45



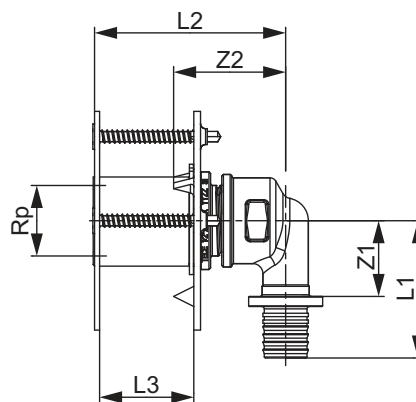
TECEflex double connection pressure-loss optimised, silicon bronze

Dimension	Item No.	Z1	Z2	L1	L2	L3
16 x R 1/2"	708608	29	31	43	44	50



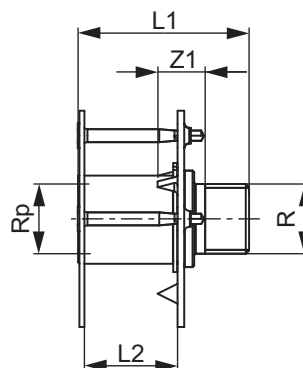
TECEflex wall bushing with pressure ring, silicon bronze

Dimension	Item No.	Z1	Z2	L1	L3	L2
16 x Rp 1/2"	708705	23	33	41	18-25	57



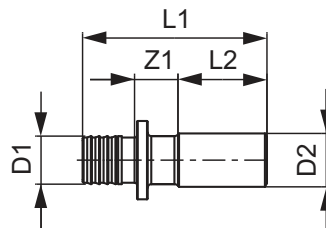
TECEflex universal wall bushing, silicon bronze

Dimension	Item No.	Z1	L1	L2
R 1/2" x Rp 1/2"	708706	14	51	18-25



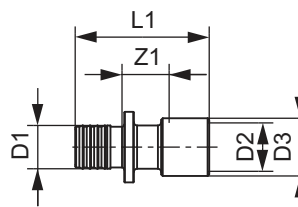
TECEflex pressure-soldered connection, silicon bronze

Dimension	Item No.	Z1	L1	L2
16 x 15 mm Cu	716316	10	50	25
20 x 18 mm Cu	716320	10	52	25
20 x 22 mm Cu	716321	10	52	25
25 x 22 mm Cu	716325	12	60	25
32 x 28 mm Cu	716332	13	69	25



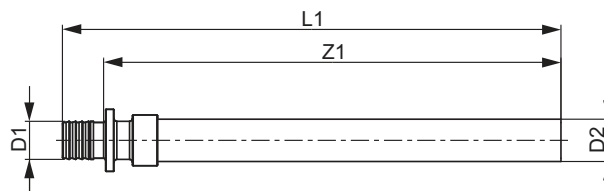
TECEflex Cu soldered connection made of standard brass

Dimension	Item No.	Z1	L1
14 x 15/18 mm Cu	713914	15	42
16 x 15/18 mm Cu	713916	15	42
20 x 18/22 mm Cu	713920	13	45
25 x 22/28 mm Cu	713925	18	60
32 x 28/32 mm Cu	713932	18	72



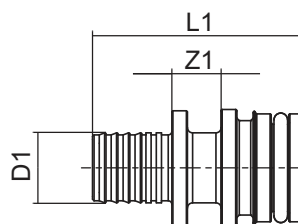
TECEflex system adapter copper pipe

Dimension	Item No.	Z1	L1
16 x 15 mm Cu	713816	162	177



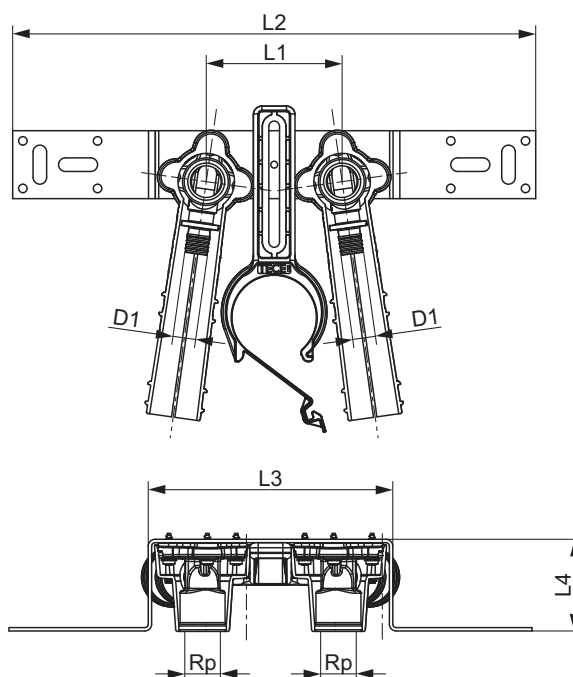
TECEflex joint adapter standard brass for TECO FASTEC

Dimension	Item No.	Z1	L1
16	716350	10	40
20	716351	10	42
25	716352	10	50



TECEflex mounting unit with wall disks, silicon bronze, sound-proofing elements and fastener for high-temperature drain bend

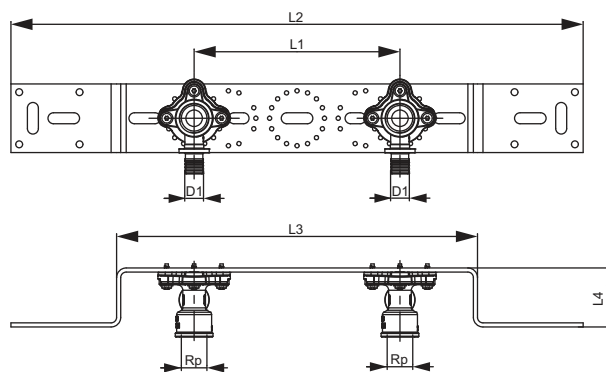
Dimension	Item No.	L1	L2	L3	L4
16 x Rp 1/2"	720565	80	308	144	54



TECEflex – Dimensional drawings

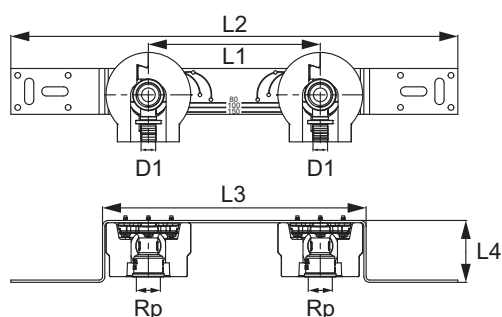
TECEflex mounting unit with reinforced brackets made of galvanised sheet steel, wall disks made of standard brass and sound insulation caps

Dimension	Item No.	L1	L2	L3	L4
16 x Rp 1/2"	721009	150	417	263	43



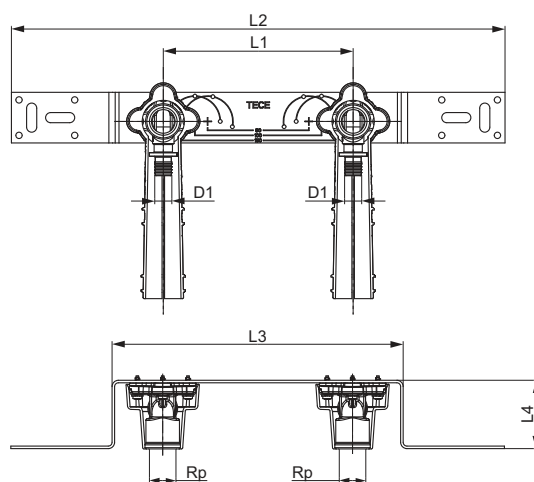
TECEflex assembly unit with wall disks made of silicone bronze and sound insulation boxes

Dimension	Item No.	L1	L2	L3	L4
16 x Rp 1/2"	720567	150	390	230	54
20 x Rp 1/2"	720568	150	390	230	54



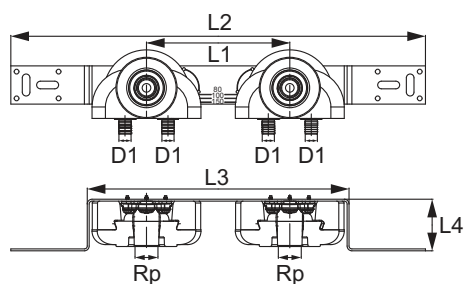
TECEflex mounting unit with wall disks made of standard brass

Dimension	Item No.	L1	L2	L3	L4
16 x Rp 1/2"	765130	150	390	230	54



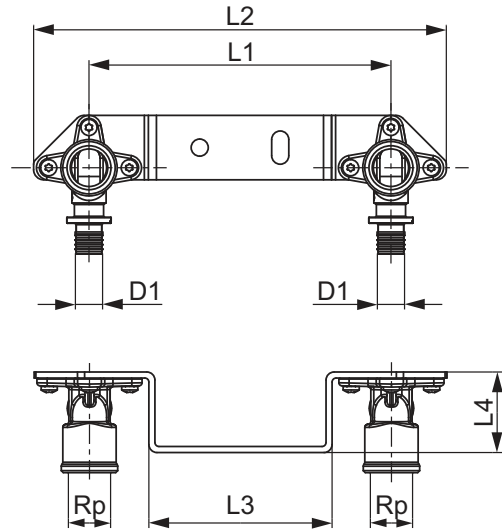
TECEflex assembly unit with wall disks made of silicone bronze and sound insulation boxes

Dimension	Item No.	L1	L2	L3	L4
16 x Rp 1/2" x 16	720569	150	434	274	54



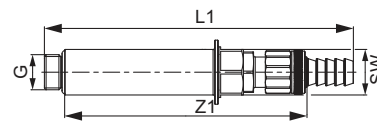
TECEflex mounting unit with wall disks silicon bronze

Dimension	Item No.	L1	L2	L3	L4
16 x Rp 1/2"	720550	150	205	91	40



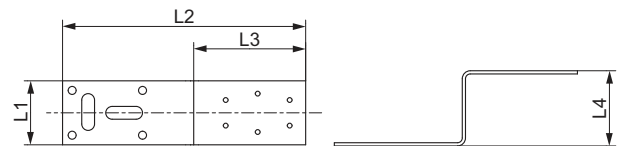
TECE Seal System assembly plug with filling and emptying valve with sealing sleeve

Dimension	Item No.	Z1	L1	G	SW
1/2"	704809	138	174	1/2"	27



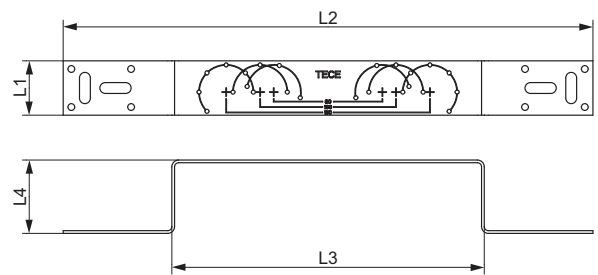
TECE fastener made of galvanized steel, single

Item No.	L1	L2	L3	L4
720527	40	150	70	47



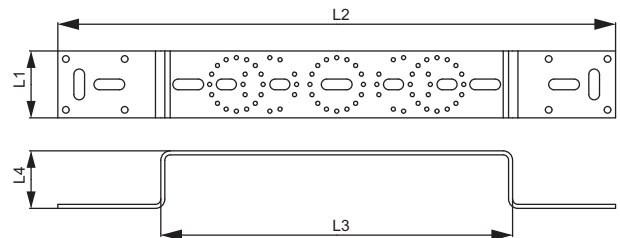
TECE fastener made of galvanized steel, double

Item No.	L1	L2	L3	L4
720528	40	390	230	54



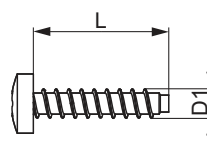
TECE fastener made of galvanized steel, double

Item No.	L1	L2	L3	L4
721005	50	417	263	43



TECE screw

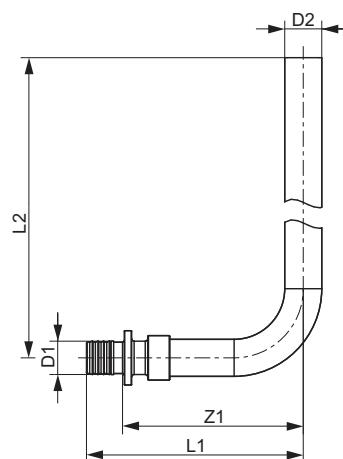
Dimension	Item No.	L1
3,5 x 16 mm	720524	16



TECEflex – Dimensional drawings

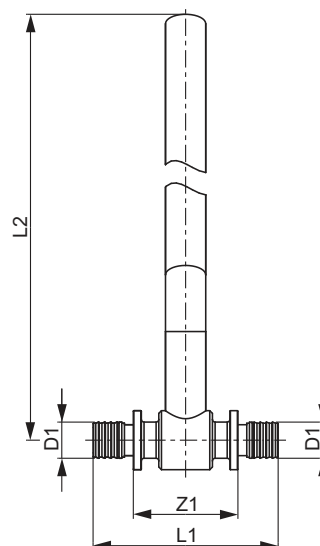
TECEflex 15 mm radiator mounting bracket, nickel-plated copper

Dimension	Item No.	Z1	L1	L2
14 x 15 mm Cu	714014	73	88	289
16 x 15 mm Cu	714016	73	88	289
20 x 15 mm Cu	714020	73	90	289
16 x 15 mm Cu	714516	73	88	1089



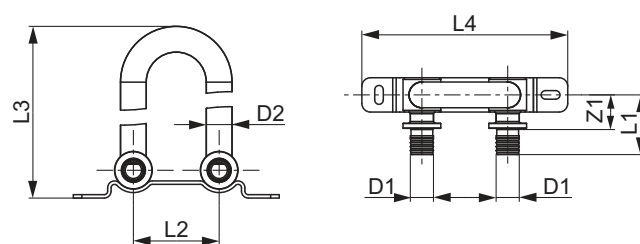
TECEflex 15 mm radiator mounting tee, nickel-plated copper

Dimension	Item No.	Z1	L1	L2
16 x 15 mm Cu	715016	40	69	289
20 x 15 mm Cu	715020	40	74	290



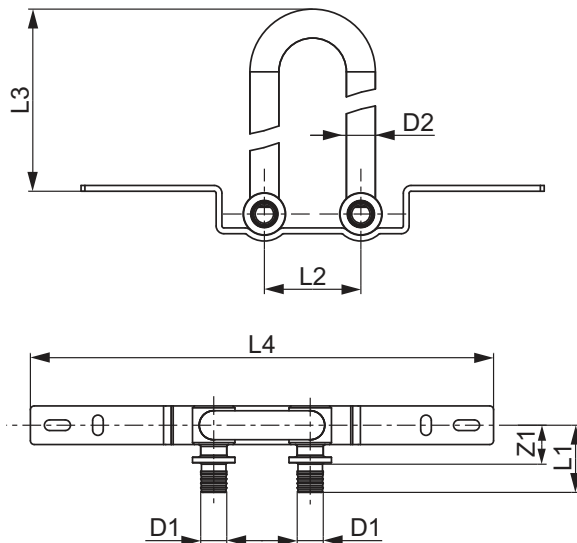
TECEflex radiator assembly set for compact valve heaters, floor-mounted, nickel-plated

Dimension	Item No.	Z1	L1	L2	L3	L4
16 x 15 mm Cu	714901	20	35	50	333	120



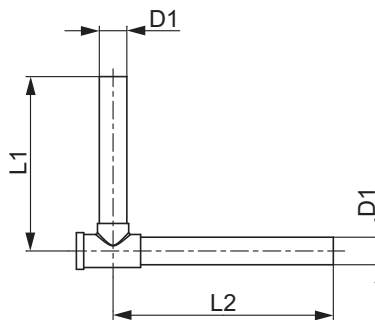
TECEflex radiator mounting set for compact radiator with integrated valve, wall-mounted, nickel-plated

Dimension	Item No.	Z1	L1	L2	L3	L4
16 x 15 mm Cu	714905	20	35	50	225	240



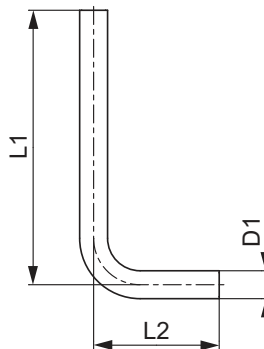
TECE skirting board radiator elbow shut-offs

Dimension	Item No.	L1	L2
15 mm Cu	730010	95	120



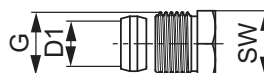
TECE skirting board radiator elbows

Dimension	Item No.	L1	L2
15 mm Cu	730025	155	75



TECE male pinch screw connection 1/2"

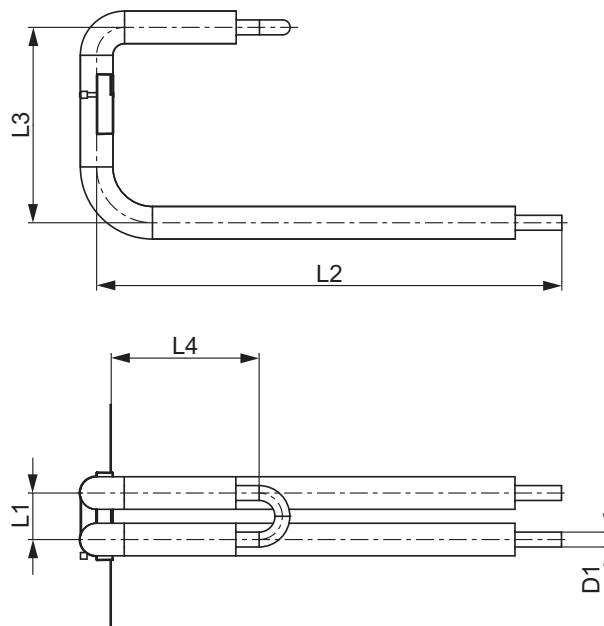
Dimension	Item No.	G	SW
15 mm x R 1/2"	717501	1/2"	22



TECEflex – Dimensional drawings

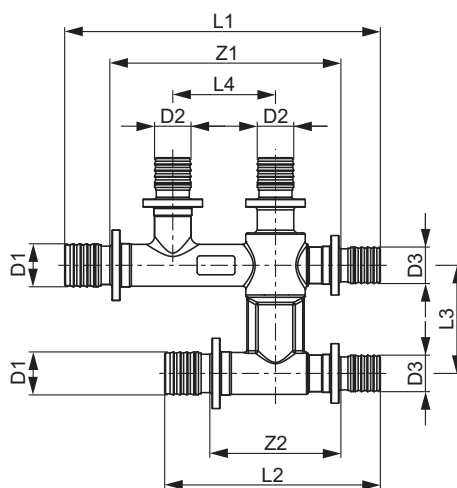
TECEflex radiator mounting unit for compact radiator with integrated valve, wall-mounted

Dimension	Item No.	L1	L2	L3	L4
16	714907	50	500	210	165



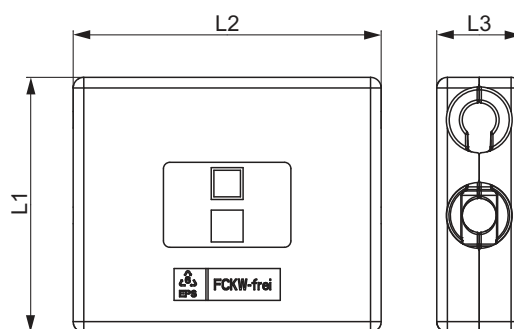
TECEflex cross fitting

Dimension	Item No.	Z1	Z2	L1	L2	L3	L4
16 x 16 x 16	718501	84	46	114	76	38	38
20 x 16 x 16	718502	86	49	116	80	40	38
20 x 16 x 20	718503	86	49	119	82	40	38



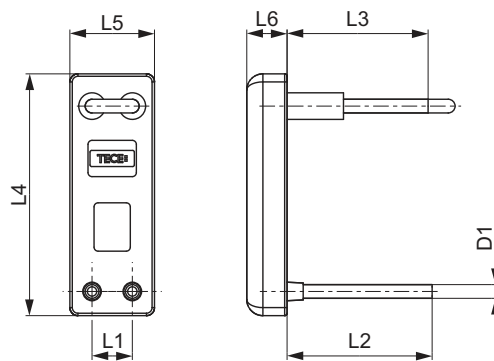
TECEflex protection box made of PS for cross-fittings

Dimension	Item No.	L1	L2	L3
16-20	718020	102	124	36



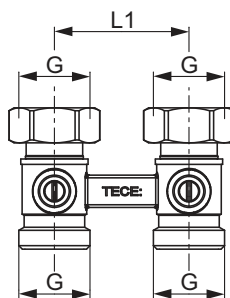
TECEflex radiator installation box for compact valve heaters

Dimension	Item No.	L1	L2	L3	L4	L5	L6
16	716116	50	180	175	300	105	50



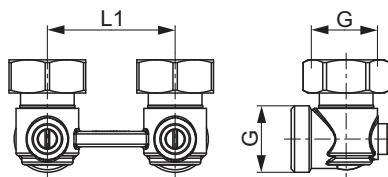
TECE two-pipe valve block for HC, through type

Dimension	Item No.	L1	G
3/4" EC x 3/4" EC	8740435	50	3/4"



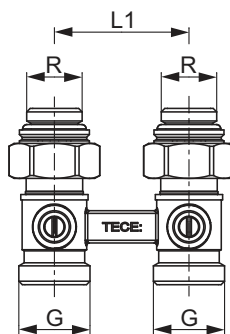
TECE two-pipe valve block for HC, corner type

Dimension	Item No.	L1	G
3/4" EC x 3/4" EC	8740436	50	3/4"



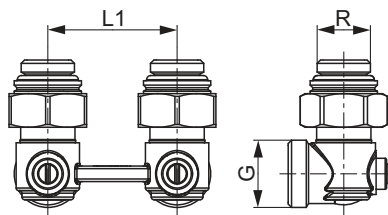
TECE two-pipe valve block for HC 1/2" MT, through type

Dimension	Item No.	L1	G
3/4" EC x R 1/2"	8740437	50	3/4"



TECE two-pipe valve block for HC 1/2" MT, corner type

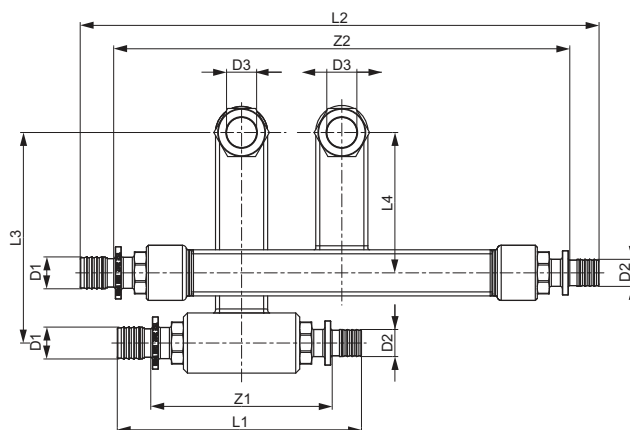
Dimension	Item No.	L1	G
3/4" EC x R 1/2"	8740438	50	3/4"



TECEflex – Dimensional drawings

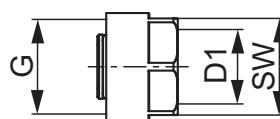
TECEflex skirting board radiator connection set

Dimension	Item No.	Z1	Z2	L1	L2	L3	L4
16 x 16 x 15 mm Cu	730110	90	227	120	257	105	70
20 x 20 x 15 mm Cu	730115	91	227	124	261	105	70
20 x 16 x 15 mm Cu	730120	91	228	122	259	105	70
16 x 20 x 15 mm Cu	730125	91	228	122	259	105	70
16 x plug x 15 mm Cu	730130	-	-	97	234	105	70
Plug x 16 x 15 mm Cu	730135	-	-	97	234	105	70



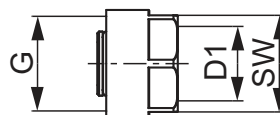
TECEflex clamped joint for all-plastic pipes

Dimension	Item No.	G	SW
14	713014	3/4"	27
20	713020	3/4"	27
16	713516	3/4"	27



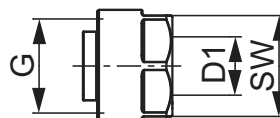
TECEflex clamped joint for TECEflex multi-layer composite pipe

Dimension	Item No.	G	SW
14	713314	3/4"	27
16	713316	3/4"	27
20	713320	3/4"	27



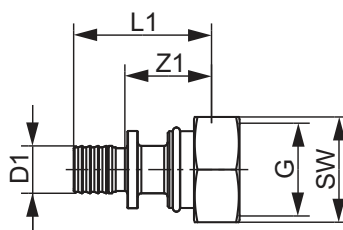
TECE Eurocone clamped joint for copper pipes

Dimension	Item No.	G	SW
3/4" for copper pipe 15 x 1	8740439	3/4"	27



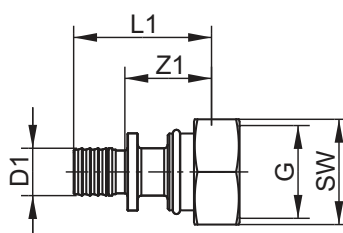
TECEflex Eurocone screw connection 3/4" with TECEflex pressure connection made of brass, nickel-plated

Dimension	Item No.	Z1	L1	G	SW
16	7136161	25	39	3/4"	30
20	7136201	23	40	3/4"	30



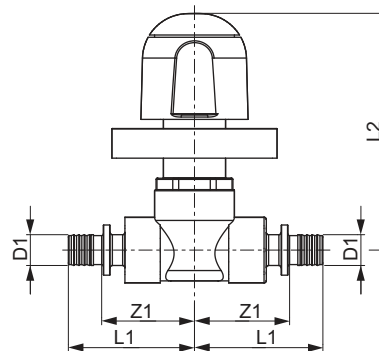
TECEflex Eurocone screw connection 3/4" with TECEflex press connection made of standard brass

Dimension	Item No.	Z1	L1	G	SW
16	763616	25	39	3/4"	30
20	763620	26	43	3/4"	30



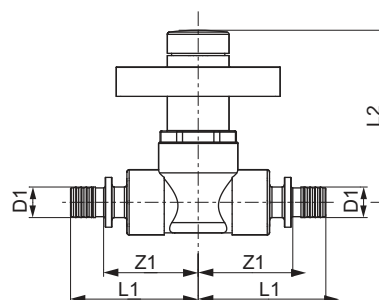
TECEflex flush-mounted ball valve with handwheel

Dimension	Item No.	Z1	L1	L2
16 x 16	751016	28	42	104
20 x 20	751020	28	46	104



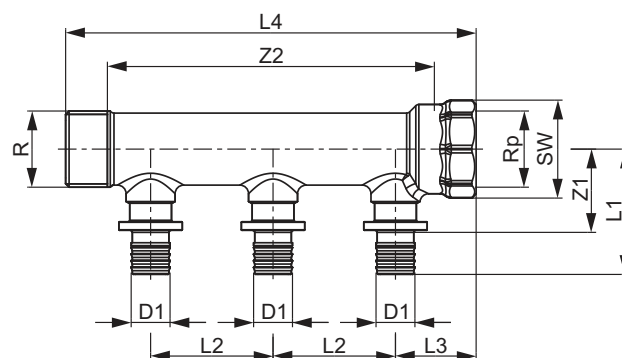
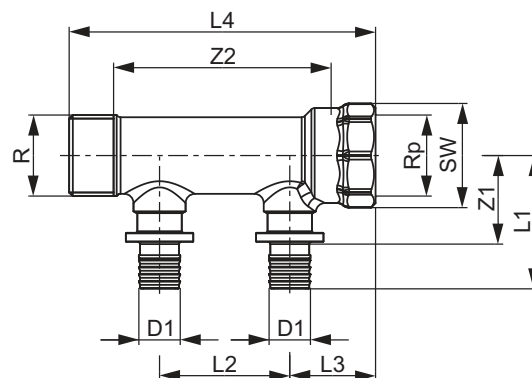
TECEflex flush-mounted ball valve with dummy cap

Dimension	Item No.	Z1	L1	L2
16 x 16	751116	28	42	76
20 x 20	751120	28	46	76



TECEflex manifold, silicon bronze

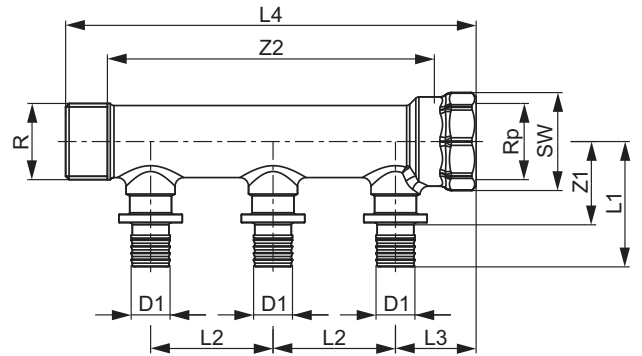
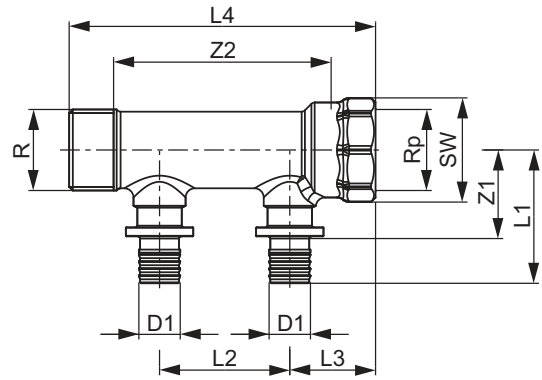
Dimension	Item No.	Z1	Z2	L1	L2	L3	L4	SW
R 3/4" x Rp 3/4" x 16 Two-way	712201	29	71	44	43	28	100	32
R 3/4" x Rp 3/4" x 16 Three-way	712202	29	114	44	43	28	143	32



TECEflex – Dimensional drawings

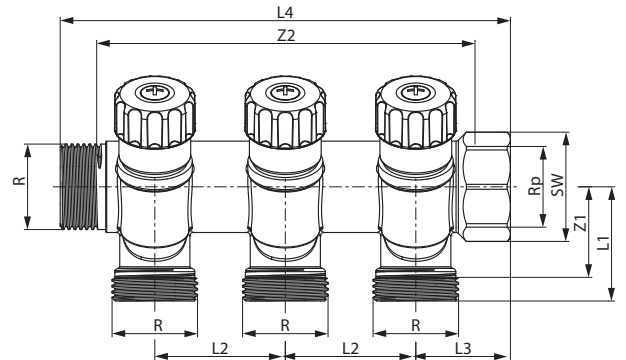
TECEflex manifold made of standard brass

Dimension	Item No.	Z1	Z2	L1	L2	L3	L4	SW
R 3/4" x Rp 3/4" x 16 Two-way	762201	29	71	44	43	28	100	32
R 3/4" x Rp 3/4" x 16 Three-way	762202	29	114	44	43	28	143	32



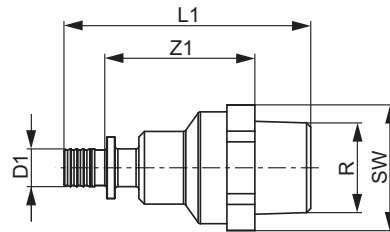
TECE universal manifold, with shut-off, standard brass

Dimension	Item No.	Z1	Z2	L1	L2	L3	L4	SW
3/4" x 3/4" EC Two-way	8730006	28	73	35	40	29	98	32
3/4" x 3/4" EC Three-way	8730007	28	113	35	40	29	138	32
1" x 3/4" EC Two-way	8730010	28	71	35	40	28	96	38
1" x 3/4" EC Three-way	8730011	28	111	35	40	28	136	38
1" x 3/4" EC four-way	8730040	28	151	35	40	28	176	38



TECEflex gas safety fitting, can be installed vertically upward or horizontally

Dimension	Item No.	Z1	L1	SW
20 x R 1" GFG 2.5/TSO	750202	58	91	41
25 x R 1" GFG 2.5/TSO	750204	59	99	41
25 x R 1" GFG 4/TSO	750206	59	99	41
32 x R 1" GFG 4/TSO	750208	60	107	41
32 x R 1" GFG 6/TSO	750210	60	107	41





Pipe Systems

TECElogo INSTALLATION PIPE SYSTEM

PRODUCT RANGE 2024

	Page
Composite pipe	78
Ax fittings	81
Ax assembly elements	87
Ax radiator connection	91
Push fittings	93
Push assembly elements	102
Push radiator connection	106
Push manifold	111
System components	114
Tools	116
Starter set	120
Spare parts	121
Technical pipe data	124
Dimensional drawings	126

Use TECElogo fittings with original TECElogo pipes only. The warranty will be invalid if non-system components are used. TECElogo must be processed only with system cutter and calibration tools.

Delivery unit 1 (DU 1) cannot be changed for technical reasons.

TECElogo – Composite pipe

The TECElogo Installation System

The TECElogo installation system TECElogo is a universally applicable system with the dimensions 16-63 mm which has been certified by the DVGW (i.e. the German Association for Gas and Water Applications). It is suitable for heating and potable water systems. It fulfills all requirements of EN ISO 21003 for application class 5/10 bar for the heating installation or the application class 2/10 bar for the potable water installation.

Processing and laying must be carried out in accordance with EN 806, EN 1717 and national supplementary standards if required, manufacturer-specific specifications and in compliance with the relevant standards. Leak test has been carried out in accordance with ZVSHK instruction leaflet, issue January 2011. Flushing in accordance with EN 806-4.

System components

TECElogo multilayer composite pipe according to EN ISO 21003, consisting of a medium-carrying pipe made of high-density polyethylene with increased temperature resistance (PE-RT type 2) or electron-beam cross-linked polyethylene (PE-Xc), a middle layer made of a butt-welded aluminium pipe and an outer protective layer made of polyethylene (PE-RT).

TECElogo multi-layer composite pipe

Bendable and dimensionally stable; five-layer aluminium pipe according to EN ISO 21003 for potable water and heating installation. 100 % diffusion-tight.

Dimension	Item No.		DU 1	DU 2	DU 3
16 - Roll	8705016		100 m	1000 m	2000 m
20 - Roll	8705020		100 m	700 m	1400 m
25 - Roll	8705025		50 m	350 m	700 m
32 - Roll	8705232	NEW	25 m	125 m	250 m
16 - Rod	8705116		100 m	-	-
20 - Rod	8705120		70 m	-	-
25 - Rod	8705125		45 m	-	-
32 - Rod	8705132		30 m	-	-
40 - Rod	8700140		15 m	-	-
50 - Rod	8700150		15 m	-	-
63 - Rod	8700163		5 m	-	-

(rod each 5 m)



TECElogo multi-layer composite pipe in corrugated sheath pipe, black

Bendable and dimensionally stable five-layer aluminium pipe according to EN ISO 21003 for potable water and heating installation, in corrugated protective pipe (colour: black). 100 % diffusion-tight.

Dimension	Item No.	DU 1	DU 2	DU 3
16 - Roll	8705216	75 m	525 m	1050 m
20 - Roll	8705220	50 m	350 m	700 m
25 - Roll	8705225	25 m	175 m	350 m



TECElogo multi-layer composite pipe in corrugated sheath pipe, red

Multi-layer composite pipe to EN ISO 21003 for potable water and heating installation in corrugated sheath pipe (colour: red). 100 % diffusion-tight.

Dimension	Item No.	DU 1	DU 2	DU 3
16 - Roll	8709016	75 m	525 m	1050 m
20 - Roll	8709020	50 m	350 m	700 m



TECElogo multi-layer composite pipe in corrugated sheath pipe, blue

Multi-layer composite pipe to EN ISO 21003 for potable water and heating installation in corrugated sheath pipe (colour: blue). 100 % diffusion-tight.

Dimension	Item No.	DU 1	DU 2	DU 3
16 - Roll	8709017	75 m	525 m	1050 m
20 - Roll	8709021	50 m	350 m	700 m



TECElogo multi-layer composite pipe pre-insulated, 6 mm insulation, red

Bendable and dimensionally stable five-layer aluminium pipe according to EN ISO 21003 for potable water and heating installation, pre-insulated with 6 mm PE insulation ($\lambda_R = 0.04$ W/mK) and tear-proof PE foil (colour: red). Can be used in accordance with DIN 1988-200 (table 8, no. 4/5 and table 9, no. 6). Normal flammability according to EN 13501 class E; 100 % HCFC and HFC free.

Dimension	Item No.	DU 1	DU 2	DU 3
16 - 6 mm insulation	8702116	75 m	300 m	600 m
20 - 6 mm insulation	8702120	75 m	300 m	600 m
25 - 6 mm insulation	8702125	50 m	200 m	400 m



TECElogo multi-layer composite pipe pre-insulated, 6 mm insulation, blue

Bendable and dimensionally stable five-layer aluminium pipe according to EN ISO 21003 for potable water and heating installation, pre-insulated with 6 mm PE insulation ($\lambda_R = 0.04$ W/mK) and tear-proof PE foil (colour: blue). Can be used in accordance with DIN 1988-200 (table 8, no. 4/5 and table 9, no. 6). Normal flammability according to EN 13501 class E; 100 % HCFC and HFC free.

Dimension	Item No.	DU 1	DU 2	DU 3
16 - 6 mm insulation	8702516	75 m	300 m	600 m
20 - 6 mm insulation	8702520	75 m	300 m	600 m
25 - 6 mm insulation	8702525	50 m	200 m	400 m



TECElogo multi-layer composite pipe pre-insulated, 9 mm insulation, red

Bendable and dimensionally stable five-layer aluminium pipe according to EN ISO 21003 for potable water and heating installation, pre-insulated with 9 mm PE insulation ($\lambda_R = 0.04$ W/mK) and tear-proof PE foil (colour: red). Can be used in accordance with GEG 2021 (appendix 8, line ff) and DIN 1988-200 (table 8, no. 1). Normal flammability according to EN 13501 class E; 100 % HCFC and HFC free.

Dimension	Item No.	DU 1	DU 2	DU 3
16 - 9 mm insulation	8702016	75 m	225 m	450 m
20 - 9 mm insulation	8702020	75 m	225 m	450 m
25 - 9 mm insulation	8702025	50 m	150 m	300 m



TECElogo – Composite pipe

TECElogo multi-layer composite pipe pre-insulated, 9 mm insulation, blue

Bendable and dimensionally stable five-layer aluminium pipe according to EN ISO 21003 for potable water and heating installation, pre-insulated with 9 mm PE insulation ($\lambda_R = 0.04 \text{ W/mK}$) and tear-proof PE foil (colour: blue). Can be used in accordance with GEG 2021 (appendix 8, line ff) and DIN 1988-200 (table 8, no. 1). Normal flammability according to EN 13501 class E; 100 % HCFC and HFC free.



Dimension	Item No.	DU 1	DU 2	DU 3
16 - 9 mm insulation	8702416	75 m	225 m	450 m
20 - 9 mm insulation	8702420	75 m	225 m	450 m
25 - 9 mm insulation	8702425	50 m	150 m	300 m

TECElogo multi-layer composite pipe pre-insulated, 13 mm insulation, red

Bendable and dimensionally stable five-layer aluminium pipe according to EN ISO 21003 for potable water and heating installation, pre-insulated with 13 mm PE insulation ($\lambda_R = 0.04 \text{ W/mK}$) and tear-proof PE foil (colour: red). Can be used in accordance with GEG 2021 (appendix 8, line ee) and DIN 1988-200 (table 8, no. 2 and 6). Normal flammability according to EN 13501 class E; 100 % HCFC and HFC free.



Dimension	Item No.	DU 1	DU 2	DU 3
16 - RS 13 mm	8702216	50 m	150 m	300 m
20 - RS 13 mm	8702220	50 m	150 m	300 m
25 - RS 13 mm	8702225	25 m	100 m	300 m

TECElogo multi-layer composite pipe PE-RT/Al/PE-RT pre-insulated, 26 mm insulation, red NEW

Multi-layer composite pipe according to EN ISO 21003 for potable water and heating installation, pre-insulated with 26 mm PE insulation ($\lambda_R = 0.04 \text{ W/mK}$) and tear-proof PE foil (colour: red). Can be used in accordance with GEG 2021 (Appendix 8 line Aa) and DIN 1988-200 (table 8, nos. 2 and 6). Normal flammability according to EN 13501 class E; 100 % HCFC and HFC free.



Dimension	Item No.		DU 1	DU 2	DU 3
16 - RS 26 mm	8702616	NEW	25 m	50 m	100 m
20 - RS 26 mm	8702620	NEW	25 m	50 m	100 m
25 - RS 26 mm	8702625	NEW	25 m	50 m	100 m

TECElogo-Ax

O-ring free axial press connector with double sleeve in dimensions from 16-32 mm. The connector does not require any expansion process. The metallic fittings are made of a lead-free silicon bronze. Alternatively, threadless fittings made of the material polyphenylsulfone (PPSU) are available.

TECElogo-Ax female connector silicon bronze

Press connector for TECElogo pipes.



Dimension	Item No.	DU 1	DU 2
16 x Rp 1/2"	8802001	10 pc.	100 pc.
20 x Rp 1/2"	8802002	10 pc.	100 pc.
20 x Rp 3/4"	8802003	10 pc.	80 pc.
25 x Rp 3/4"	8802004	10 pc.	50 pc.
25 x Rp 1"	8802005	5 pc.	50 pc.
32 x Rp 1"	8802006	5 pc.	20 pc.

TECElogo-Ax male connector silicon bronze

Press connector for TECElogo pipes.



Dimension	Item No.	DU 1	DU 2
16 x R 1/2"	8802101	10 pc.	100 pc.
16 x R 3/4"	8802102	10 pc.	100 pc.
20 x R 1/2"	8802103	10 pc.	80 pc.
20 x R 3/4"	8802104	10 pc.	50 pc.
25 x R 3/4"	8802105	10 pc.	50 pc.
25 x R 1"	8802106	10 pc.	50 pc.
32 x R 1"	8802107	5 pc.	20 pc.

TECElogo-Ax coupling

Press connector for TECElogo pipes.

Silicon bronze

PPSU



Dimension	DU 1	DU 2	Item No.	Item No.
16 x 16	10 pc.	80 pc.	8802216	8832216
20 x 20	10 pc.	80 pc.	8802220	8832220
25 x 25	10 pc.	80 pc.	8802225	8832225
32 x 32	5 pc.	20 pc.	8802232	8832232

TECElogo – Ax fittings

TECElogo-Ax coupling reduced

Press connector for TECElogo pipes.

Silicon bronze

PPSU



Dimension	DU 1	DU 2	Item No.	Item No.
20 x 16	10 pc.	80 pc.	8802301	8832301
25 x 16	10 pc.	80 pc.	8802302	8832302
25 x 20	10 pc.	80 pc.	8802303	8832303
32 x 20	5 pc.	20 pc.	8802304	8832304
32 x 25	5 pc.	20 pc.	8802305	8832305

TECElogo-Ax elbow

Press connector for TECElogo pipes.

Silicon bronze

PPSU



Dimension	DU 1	DU 2	Item No.	Item No.
16 x 16	10 pc.	100 pc.	8802416	8832416
20 x 20	10 pc.	50 pc.	8802420	8832420
25 x 25	10 pc.	40 pc.	8802425	8832425
32 x 32	5 pc.	20 pc.	8802432	8832432

TECElogo-Ax elbow 45° silicon bronze

Press connector for TECElogo pipes.

Dimension	Item No.	DU 1	DU 2
25 x 25	8802501	10 pc.	40 pc.
32 x 32	8802502	5 pc.	20 pc.



TECElogo-Ax female elbow silicon bronze

Press connector for TECElogo pipes.

Dimension	Item No.	DU 1	DU 2
16 x Rp 1/2"	8802601	10 pc.	100 pc.
20 x Rp 1/2"	8802602	10 pc.	100 pc.
20 x Rp 3/4"	8802603	10 pc.	80 pc.
25 x Rp 3/4"	8802604	10 pc.	50 pc.
32 x Rp 1"	8802605	5 pc.	20 pc.



TECElogo-Ax male elbow silicon bronze

Press connector for TECElogo pipes.



Dimension	Item No.	DU 1	DU 2
16 x R 1/2"	8802701	10 pc.	100 pc.
20 x R 1/2"	8802702	10 pc.	80 pc.
20 x R 3/4"	8802703	10 pc.	80 pc.
25 x R 3/4"	8802704	10 pc.	50 pc.
25 x R 1"	8802705	10 pc.	50 pc.
32 x R 1"	8802706	10 pc.	20 pc.

TECElogo-Ax tee FT silicon bronze

Press connector for TECElogo pipes.



Dimension	Item No.	DU 1	DU 2
16 x Rp 1/2" x 16	8802801	10 pc.	80 pc.
20 x Rp 1/2" x 20	8802802	10 pc.	50 pc.
25 x Rp 3/4" x 25	8802803	10 pc.	40 pc.
32 x Rp 1" x 32	8802804	5 pc.	10 pc.

TECElogo-Ax tee

Press connector for TECElogo pipes.

Silicon bronze

PPSU



Dimension	DU 1	DU 2	Item No.	Item No.
16 x 16 x 16	10 pc.	40 pc.	8802916	8832916
20 x 20 x 20	10 pc.	40 pc.	8802920	8832920
25 x 25 x 25	10 pc.	40 pc.	8802925	8832925
32 x 32 x 32	5 pc.	10 pc.	8802932	8832932

TECElogo – Ax fittings

TECElogo-Ax tee reduced

Press connector for TECElogo pipes.

Silicon bronze



PPSU



Dimension	DU 1	DU 2	Item No.	Item No.
16 x 20 x 16	10 pc.	40 pc.	8803001	8833001
20 x 16 x 16	10 pc.	40 pc.	8803002	8833002
20 x 16 x 20	10 pc.	40 pc.	8803003	8833003
20 x 20 x 16	10 pc.	40 pc.	8803004	8833004
20 x 25 x 20	10 pc.	40 pc.	8803009	8833009
25 x 16 x 20	10 pc.	40 pc.	8803005	8833005
25 x 16 x 25	10 pc.	40 pc.	8803006	8833006
25 x 20 x 20	10 pc.	40 pc.	8803007	8833007
25 x 20 x 25	10 pc.	40 pc.	8803008	8833008
32 x 16 x 32	5 pc.	10 pc.	8803010	8833010
32 x 20 x 32	5 pc.	10 pc.	8803011	8833011
32 x 25 x 25	5 pc.	10 pc.	8803013	8833013
32 x 25 x 32	5 pc.	10 pc.	8803012	8833012

TECElogo-Ax end plug silicon bronze

Press connector for TECElogo pipes.



Dimension	Item No.	DU 1	DU 2
16	8803116	10 pc.	50 pc.
20	8803120	10 pc.	50 pc.

TECElogo-Ax screw connection flat sealing silicon bronze

Press connector for TECElogo pipes.



Dimension	Item No.	DU 1	DU 2
16 x 1/2"	8803301	10 pc.	80 pc.
16 x 3/4"	8803302	10 pc.	80 pc.
20 x 3/4"	8803303	5 pc.	50 pc.
20 x 1"	8803304	5 pc.	50 pc.
25 x 1"	8803305	5 pc.	50 pc.
25 x 1 1/4"	8803306	5 pc.	20 pc.
32 x 1 1/4"	8803307	1 pc.	20 pc.
32 x 1 1/2"	8803308	1 pc.	20 pc.

TECElogo-Ax 3/4" Eurocone screw connection with TECElogo-Ax pressure connection, silicon bronze

Press connector for TECElogo pipes.



Dimension	Item No.	DU 1	DU 2
16	8804616*	10 pc.	100 pc.
20	8804620*	10 pc.	100 pc.

TECElogo-Ax quick adapter, straight, silicon bronze

Quick adapter for tool-free connection of pressed TECElogo pipes using TECElogo-Ax connectors to a 1/2" TECE quick connection. The TECE cisterns come with compatible quick connectors.



Dimension	Item No.	DU 1	DU 2
16 x 1/2"	8804801*	10 pc.	100 pc.

TECElogo-Ax quick adapter 90° angle, silicon bronze

Quick adapter for tool-free connection of pressed TECElogo pipes using TECElogo-Ax connectors to a 1/2" TECE quick connection. The TECE cisterns come with compatible quick connectors.



Dimension	Item No.	DU 1	DU 2
16 x 1/2"	8804802*	10 pc.	100 pc.

TECElogo-Ax wall disk silicon bronze

Press connector for TECElogo pipes.



Dimension	Item No.	DU 1	DU 2
16 x Rp 1/2"	8803401	10 pc.	80 pc.
20 x Rp 1/2"	8803402	10 pc.	60 pc.
20 x Rp 3/4"	8803403	10 pc.	30 pc.

TECElogo-Ax wall disc, 57 mm long, silicon bronze

Press connector for TECElogo pipes, wall disc extended to 57 mm.



Dimension	Item No.	DU 1	DU 2
16 x Rp 1/2"	8803502*	10 pc.	80 pc.

TECElogo-Ax U-double wall disk, pressure-loss optimised silicon bronze

Press connector for TECElogo pipes.



Dimension	Item No.	DU 1	DU 2
16 x Rp 1/2"	8803701	10 pc.	40 pc.
20 x Rp 1/2"	8803702	10 pc.	40 pc.

TECElogo-Ax U-double wall disk reduced, pressure-loss optimised, silicon bronze

Press connector for TECElogo pipes.



Dimension	Item No.	DU 1	DU 2
16 x Rp 1/2" x 20	8803801	10 pc.	30 pc.
20 x Rp 1/2" x 16	8803802	10 pc.	30 pc.

TECElogo – Ax fittings

TECElogo-Ax wall disk long silicon bronze

Press connector for TECElogo pipes.

Dimension	Item No.	DU 1	DU 2
16 x Rp 1/2"	8803501	10 pc.	50 pc.



TECElogo-Ax wall bushing elbow with pressure ring silicon bronze

Wall bushing elbow with screws and sound insulation insert can be adjusted for wall thicknesses of 18-25 mm.

Dimension	Item No.	DU 1	DU 2
16 x Rp 1/2"	8803901	10 pc.	40 pc.



TECElogo-Ax press connection silicon bronze

Press connection as adapter from stainless steel or copper pipes to TECElogo-Ax. Suitable for V- and M-contour pressed fittings.

Dimension	Item No.	DU 1	DU 2
16 x 15 mm Cu	8803201	10 pc.	100 pc.
20 x 18 mm Cu	8803202	10 pc.	100 pc.
20 x 22 mm Cu	8803203	10 pc.	100 pc.
25 x 22 mm Cu	8803204	10 pc.	50 pc.
32 x 28 mm Cu	8803205	10 pc.	50 pc.



TECElogo-Ax transition coupling to TECEflex, silicon bronze

Dimension	Item No.	DU 1	DU 2
16 x 16	8804351*	10 pc.	100 pc.
20 x 20	8804352*	10 pc.	100 pc.
25 x 25	8804353*	10 pc.	50 pc.



TECElogo-Ax assembly unit silicon bronze

Prefabricated assembly unit, centre 80 mm. Consisting of two TECElogo-Ax wall disks, mounted twist-proof on TECE wall mount, includes sound-proofing elements and bracket for drain bend. For potable water installations.

Dimension	Centre	Item No.	DU 1	DU 2
16 x Rp 1/2"	80 mm	8804003	1 pc.	5 pc.



TECElogo-Ax assembly unit silicon bronze

Prefabricated assembly unit, centre 150 mm. Consisting of two TECElogo-Ax wall disks, mounted twist-proof on TECE wall mount, includes sound-proofing elements. For potable water installations.

Dimension	Centre	Item No.	DU 1	DU 2
16 x Rp 1/2"	150 mm	8804001	1 pc.	5 pc.
20 x Rp 1/2"	150 mm	8804002	1 pc.	5 pc.



TECElogo-Ax assembly unit silicon bronze

Prefabricated assembly unit, centre 150 mm. Consisting of two TECElogo-Ax U-double wall disks, mounted twist-proof on TECE wall mount, includes sound-proofing elements. For potable water installations.

Dimension	Centre	Item No.	DU 1	DU 2
16 x Rp 1/2"	150 mm	8804004	1 pc.	5 pc.



TECE sound-proofing element

Sound-proofing element for TECEflex and TECElogo wall disks. To minimize transmission of noise to the structure; consisting of sound insulation inserts and sound-proofing cover.

Dimension	Item No.	DU 1	DU 2
For 1/2" wall disks	718017	10 pc.	40 pc.
For 1/2" wall disks, long	718022	10 pc.	40 pc.
For 1/2" U-double wall disks	718024	10 pc.	40 pc.



Caution: Not suitable for use with the Seal System sealing sleeve.

TECE sound insulation box with a special recess for the Seal System sealing sleeve

Sound insulation box for TECEflex and TECElogo wall disks made of high-quality EPP with heat and sound insulation properties. Corresponds to thermal insulation according to GEG 2021 (Annex 8, line ee), specially for combination with the Seal System sealing sleeve.

Dimension	Item No.	DU 1	DU 2
16-20 x Rp 1/2"	718031	10 pc.	40 pc.



TECElogo – Ax assembly elements

TECE sound shield for wall disk

Sound shield for TECEflex and TECElogo wall disks. To reduce noise transmission to structure.



Item No.	DU 1	DU 2
718026	10 pc.	100 pc.

TECE Seal System assembly plug with sealing sleeve

Reusable special assembly plug for mounting the sealing sleeve in the shell construction phase. Suitable for leak and load testing with air or water. With a metallic thread made of material suitable for drinking water, including Seal System sealing sleeve.



Dimension	Item No.	DU 1	DU 2
1/2"	704802	6 pc.	-
3/4"	704812	10 pc.	50 pc.

TECE Seal System sealing sleeve

Sealing sleeve for creating a standard-compliant wall bushing with walls exposed to water in accordance with DIN 18534 (2017).

Leak water created by an unsealed threaded connection between the wall disk and the valve extension is guided forwards out of the wall. In addition to the TECE wall disks, also suitable for many third-party products.



Dimension	Item No.	DU 1	DU 2
1/2"	704801	10 pc.	-
3/4"	704811	10 pc.	50 pc.

In connection with the Seal System sealing sleeve and a suitable sealing grout. The suitability of external products can be found in the technical information.

TECE Seal System assembly plug with filling and emptying valve with sealing sleeve

Reusable assembly plug with a filling and emptying valve, equipped with a hose connection.



Dimension	Item No.	DU 1	DU 2
1/2"	704809	10 pc.	30 pc.

TECE Seal System sealing collar

Seal System sealing collar for sealing against intrusion of moisture into the wall via fitting connections.



Dimension	Version	Item No.	DU 1	DU 2
140 x 140 mm	1/2"	704803	10 pc.	500 pc.
170 x 170 mm	3/4"	704813	10 pc.	500 pc.

TECE Seal System sealing set 1/2" for wall bushings

Seal System sealing set consisting of:

- 2 x assembly plugs
- 2 x sealing sleeves
- 2 x sealing collars



Item No.	DU 1
704805	1 pc.

TECE fastener made of galvanized steel, single

To fasten TECEflex and TECElogo wall disks, angled, made of galvanized steel.



Item No.	DU 1	DU 2
720527	10 pc.	80 pc.

TECE fastener made of galvanized steel, double

To fasten TECEflex and TECElogo wall disks, angled, made of galvanized steel. Suitable for centres 150 and 80 mm.



Item No.	DU 1	DU 2
720528	5 pc.	20 pc.

TECE fastener made of galvanized steel, double

Item No.	DU 1	DU 2
721005	5 pc.	25 pc.



TECE screw

To fasten TECEflex and TECElogo wall disks to galvanized steel fasteners.



Dimension	Item No.	DU 1	DU 2
3,5 x 16 mm	720524	100 pc.	3000 pc.

TECE pipe bend guides

Pipe bend guides made of plastic, to guide pipes out of the screed.



Dimension	Item No.	DU 1	DU 2
14-17 mm	77910010	25 pc.	200 pc.
18-20 mm	77910011	25 pc.	100 pc.
25 mm	77910012	25 pc.	100 pc.

TECElogo – Ax assembly elements

TECE wrap-around tape assembly

Co-extruded three-layer tape for protecting TECE installation pipe connections against external corrosion influences.

Length 12.5 m, width 30 mm, thickness 1 mm



Item No.	DU 1	DU 2
720579	12.5 m	225 m

TECElogo-Ax cross-fitting brass, nickel-plated

Cross-fitting for simplified connection of radiator connection lines in the floor projection.



Dimension	Item No.	DU 1	DU 2
16 x 16 x 16	8864101	1 pc.	10 pc.
20 x 16 x 16	8864102	1 pc.	10 pc.
20 x 16 x 20	8864103	1 pc.	10 pc.

TECElogo-Ax radiator mounting elbow

Radiator mounting elbow for installation of compact valve radiators, floor-mounting, 15 mm copper pipe, nickel-plated.



Dimension	Item No.	DU 1	DU 2
16 x 15 mm Cu	8864201	10 pc.	50 pc.
20 x 15 mm Cu	8864202	10 pc.	50 pc.

TECElogo-Ax radiator mounting tee

Radiator assembly tee for installation of compact valve radiators, floor-mounting, 15 mm copper pipe, nickel-plated.



Dimension	Item No.	DU 1	DU 2
16 x 15 mm Cu	8864203	10 pc.	40 pc.
20 x 15 mm Cu	8864204	10 pc.	40 pc.

TECElogo-Ax radiator mounting set

Radiator mounting set for installation of compact valve radiators, floor-mounting, 15 mm copper pipe, nickel-plated.



Dimension	Item No.	DU 1	DU 2
16 x 15 mm Cu	8864205	1 pc.	5 pc.

TECElogo-Ax radiator mounting set

Radiator mounting set for installation of compact valve radiators. Wall-mounting, 15 mm copper pipe, nickel-plated.



Dimension	Item No.	DU 1	DU 2
16 x 15 mm Cu	8864206	1 pc.	5 pc.

TECElogo – Ax radiator connection

TECE male pinch screw connection 1/2"

15 mm, nickel-plated pinch screw connection to join TECEflex/TECElogo radiator mounting elbow or radiator tees to thermostat valves or to the radiator screw connections.



Dimension	Item No.	DU 1	DU 2
15 mm x R 1/2"	717501	10 pc.	150 pc.

TECElogo radiator mounting unit

Radiator mounting unit for compact radiator with integrated valve, with pre-insulated multi-layer composite pipe, 9 mm insulation, λ_R 0.040 W/(mK).



Dimension	Item No.	DU 1	DU 2
16	8740550	1 pc.	5 pc.

TECElogo Eurocone clamped joint*

Clamped joint for TECElogo multi-layer composite pipe. For heating installations.



Dimension	Item No.	DU 1	DU 2
16 x 3/4" EC	8740216	10 pc.	200 pc.
20 x 3/4" EC	8740220	10 pc.	200 pc.



EINFACH
MACHEN!
TECE

TECE
32

TECE
32

TECE
32

TECE-AX

TECE-AX

20

20

16



TECElogo – Push fittings

TECElogo-Push

Push fittings with integrated retaining technology for a tool-free connection. TECElogo-Push is available in dimensions from 16-63 mm. Threaded fittings made of red brass/silicon bronze, threadless fittings made of polyphenylsulfone (PPSU). As an alternative, fittings made of standard brass are available for heating installations. Standard brass is not approved by TECE for drinking water installations.

TECElogo-Push female connector

Push-fitting with integrated grip function. For potable water and heating installations.

Red brass/silicon bronze



Standard brass*



Dimension	DU 1	DU 2	Item No.	Item No.
16 x Rp 1/2"	10 pc.	100 pc.	8713002	8610002
20 x Rp 1/2"	10 pc.	100 pc.	8713003	8610003
20 x Rp 3/4"	10 pc.	80 pc.	8713004	8610004
25 x Rp 1"	5 pc.	50 pc.	8713006	8610006
25 x Rp 3/4"	10 pc.	50 pc.	8713005	8610005
32 x Rp 1"	1 pc.	20 pc.	8713007	8610007
40 x Rp 1 1/2"	1 pc.	20 pc.	8713008	8610008
50 x Rp 2"	1 pc.	8 pc.	8713009	8610009
63 x Rp 2"	1 pc.	4 pc.	8713010	-

TECElogo-Push male connector

Push-fitting with integrated grip function. For potable water and heating installations.

Red brass/silicon bronze



Standard brass*



Dimension	DU 1	DU 2	Item No.	Item No.
16 x R 1/2"	10 pc.	100 pc.	8713102	8610102
16 x R 3/4"	10 pc.	100 pc.	8713103	8610103
16 x R 3/8"	10 pc.	100 pc.	-	8610100
20 x R 1/2"	10 pc.	80 pc.	8713104	8610104
20 x R 3/4"	10 pc.	50 pc.	8713105	8610105
25 x R 1"	10 pc.	50 pc.	8713107	8610107
25 x R 3/4"	10 pc.	50 pc.	8713106	8610106
32 x R 1"	1 pc.	20 pc.	8713108	8610116
40 x R 1 1/4"	1 pc.	20 pc.	8713109	8610117
50 x R 1 1/2"	1 pc.	8 pc.	8713110	8610118
63 x R 2"	1 pc.	4 pc.	8713111	-

TECElogo-Push coupling, PPSU

Push-fitting with integrated grip function. For potable water and heating installations.

Dimension	Item No.	DU 1	DU 2
16 x 16	8710516	10 pc.	80 pc.
20 x 20	8710520	10 pc.	80 pc.
25 x 25	8710525	10 pc.	80 pc.
32 x 32	8710532	1 pc.	20 pc.
40 x 40	8710540	1 pc.	20 pc.
50 x 50	8710550	1 pc.	8 pc.
63 x 63	8710563	1 pc.	4 pc.

**TECElogo-Push coupling reduced, PPSU**

Push-fitting with integrated grip function. For potable water and heating installations.

Dimension	Item No.	DU 1	DU 2
20 x 16	8710616	10 pc.	80 pc.
25 x 16	8710620	10 pc.	80 pc.
25 x 20	8710625	10 pc.	80 pc.
32 x 20	8710632	1 pc.	20 pc.
32 x 25	8710633	1 pc.	20 pc.
40 x 32	8710640	1 pc.	20 pc.
50 x 40	8710650	1 pc.	8 pc.
63 x 50	8710663	1 pc.	4 pc.

**TECElogo-Push 90° elbow, PPSU**

Push-fitting with integrated grip function. For potable water and heating installations.

Dimension	Item No.	DU 1	DU 2
16 x 16	8710716	10 pc.	100 pc.
20 x 20	8710720	10 pc.	50 pc.
25 x 25	8710725	10 pc.	40 pc.
32 x 32	8710732	1 pc.	20 pc.
40 x 40	8710740	1 pc.	8 pc.
50 x 50	8710750	1 pc.	4 pc.
63 x 63	8710763	1 pc.	4 pc.

**TECElogo-Push insertion elbow 90°, PPSU**

Push-fitting with integrated grip function. For potable water and heating installations.

Dimension	Item No.	DU 1	DU 2
16 x 16	8711116	10 pc.	100 pc.
20 x 20	8711120	10 pc.	50 pc.
25 x 25	8711125	10 pc.	40 pc.



TECElogo – Push fittings

TECElogo-Push elbow 45°, red brass/silicon bronze

Push-fitting with integrated grip function. For potable water and heating installations.



Dimension	Item No.	DU 1	DU 2
25 x 25	8711225	10 pc.	40 pc.
32 x 32	8711232	5 pc.	20 pc.
40 x 40	8711240	2 pc.	20 pc.
50 x 50	8711250	2 pc.	10 pc.
63 x 63	8711263	1 pc.	5 pc.

TECElogo-Push female elbow

Red brass/silicon bronze

Standard brass*



Dimension	DU 1	DU 2	Item No.	Item No.
16 x Rp 1/2"	10 pc.	100 pc.	8713202	8610202
20 x Rp 1/2"	10 pc.	100 pc.	8713203	8610203
20 x Rp 3/4"	10 pc.	80 pc.	8713204	8610204
25 x Rp 3/4"	10 pc.	50 pc.	8713205	8610205
32 x Rp 1"	1 pc.	20 pc.	8713206	8610206

TECElogo-Push male elbow

Red brass/silicon bronze

Standard brass*



Dimension	DU 1	DU 2	Item No.	Item No.
16 x R 1/2"	10 pc.	100 pc.	8713302	8610302
20 x R 1/2"	10 pc.	80 pc.	8713303	8610303
20 x R 3/4"	10 pc.	80 pc.	8713304	8610304
25 x R 1"	10 pc.	50 pc.	8713306	8610306
25 x R 3/4"	10 pc.	50 pc.	8713305	8610305
32 x R 1"	1 pc.	20 pc.	8713307	8610312

TECElogo-Push tee female thread

Red brass/silicon bronze

Standard brass*



Dimension	DU 1	DU 2	Item No.	Item No.
16 x Rp 1/2" x 16	10 pc.	80 pc.	8713402	8610402
20 x Rp 1/2" x 20	10 pc.	50 pc.	8713403	8610403
25 x Rp 3/4" x 25	10 pc.	40 pc.	8713404	8610404
32 x Rp 1" x 32	1 pc.	8 pc.	8713405	8610406
40 x Rp 1" x 40	1 pc.	8 pc.	8713406	8610408
50 x Rp 1 1/4" x 50	1 pc.	4 pc.	8713407	8610410
63 x Rp 1 1/2" x 63	1 pc.	4 pc.	8713408	-

TECElogo-Push tee, PPSU

Push-fitting with integrated grip function. For potable water and heating installations.

Dimension	Item No.	DU 1	DU 2
16 x 16 x 16	8710916	10 pc.	40 pc.
20 x 20 x 20	8710920	10 pc.	40 pc.
25 x 25 x 25	8710925	10 pc.	40 pc.
32 x 32 x 32	8710932	1 pc.	8 pc.
40 x 40 x 40	8710940	1 pc.	8 pc.
50 x 50 x 50	8710950	1 pc.	4 pc.
63 x 63 x 63	8710963	1 pc.	4 pc.



TECElogo-Push tee reduced, PPSU

Push-fitting with integrated grip function. For potable water and heating installations.

Dimension	Item No.	DU 1	DU 2
20 x 16 x 16	8711004	10 pc.	40 pc.
20 x 16 x 20	8711005	10 pc.	40 pc.
20 x 20 x 16	8711006	10 pc.	40 pc.
20 x 25 x 20	8711011	10 pc.	40 pc.
25 x 16 x 16	8711007	10 pc.	40 pc.
25 x 16 x 25	8711008	10 pc.	40 pc.
25 x 20 x 20	8711009	10 pc.	40 pc.
25 x 20 x 25	8711010	10 pc.	40 pc.
32 x 16 x 32	8711012	1 pc.	8 pc.
32 x 20 x 32	8711013	1 pc.	8 pc.
32 x 25 x 32	8711014	1 pc.	8 pc.
32 x 25 x 25	8711015	1 pc.	8 pc.
40 x 25 x 40	8711017	1 pc.	8 pc.
40 x 32 x 40	8711018	1 pc.	8 pc.
40 x 32 x 32	8711019	1 pc.	8 pc.
50 x 25 x 50	8711020	1 pc.	4 pc.
50 x 32 x 50	8711021	1 pc.	4 pc.
63 x 32 x 63	8711022	1 pc.	4 pc.
63 x 50 x 63	8711023	1 pc.	4 pc.



* For choice of materials observe the information on p. 125.

TECElogo – Push fittings

TECElogo-Push end plug, PPSU

Push-fitting with integrated grip function. For potable water and heating installations.



Dimension	Item No.	DU 1	DU 2
16	8710817	10 pc.	50 pc.
20	8710821	10 pc.	50 pc.

TECElogo-Push pressing adapter, red brass/silicon bronze

Pressing adapter on stainless-steel or copper pipes with TECElogo-Push push-fitting with integrated grip function.



Dimension	Item No.	DU 1	DU 2
16 x 15 mm	8730100	10 pc.	100 pc.
20 x 18 mm	8730101	10 pc.	100 pc.
25 x 22 mm	8730102	10 pc.	50 pc.

TECElogo-Push screw connection, flat sealing

Red brass/silicon bronze

Standard brass*



Dimension	DU 1	DU 2	Item No.	Item No.
16 x 1/2"	5 pc.	80 pc.	8733201	8630201
16 x 3/4"	5 pc.	80 pc.	8733202	8630202
16 x 3/8"	5 pc.	80 pc.	-	8630200
20 x 3/4"	5 pc.	50 pc.	8733203	8630203
25 x 1"	5 pc.	50 pc.	8733204	8630204
32 x 1 1/4"	1 pc.	20 pc.	8733205	8630205
40 x 1 1/2"	1 pc.	20 pc.	-	8630207

TECElogo-Push elbow coupling flat sealing standard brass*

Dimension	Item No.	DU 1	DU 2
16 x 1/2"	8730216	5 pc.	80 pc.
16 x 3/8"	8730215	5 pc.	80 pc.



TECElogo-Push quick adapter, silicon bronze

Quick adapter to connect TECElogo pipes to a 1/2" TECE quick connection without tools. The TECE cisterns are equipped with compatible quick connectors; with plug-in male thread for TECElogo-Push push-fitting with integrated grip function.



Dimension	Item No.	DU 1	DU 2
16 x 1/2"	8730310	10 pc.	50 pc.

TECElogo-Push wall disk

Red brass/silicon bronze

Standard brass*



Dimension	DU 1	DU 2	Item No.	Item No.
16 x Rp 1/2"	10 pc.	80 pc.	8723002	8620002
20 x Rp 1/2"	10 pc.	60 pc.	8723004	8620003

TECElogo-Push universal wall disk, red brass/silicon bronze

Universal wall disk with 20 mm plug-in male thread for TECElogo-Push push-fittings with integrated grip function. For potable water and heating installations.



Dimension	Item No.	DU 1	DU 2
20 x Rp 1/2"	8723003	10 pc.	60 pc.

Note:
In conjunction with a TECElogo-Push tee or tee reduced, you build your double wall disk yourself.

TECElogo-Push universal double wall disk, red brass/silicon bronze

Universal double wall disk with 20 mm plug-in male thread for TECElogo-Push push-fittings with integrated grip function. For potable water and heating installations.



Dimension	Item No.	DU 1	DU 2
20 x Rp 1/2" x 20	8723011	10 pc.	40 pc.

TECElogo-Push double wall disk, Si-bronze

Dimension	Item No.	DU 1	DU 2
16 x Rp 1/2" x 16	8723014	10 pc.	40 pc.



TECElogo-Push double wall disk standard brass*

Dimension	Item No.	DU 1	DU 2
16 x Rp 1/2" x 16	8620007	10 pc.	40 pc.



* For choice of materials observe the information on p. 125.

TECElogo – Push fittings

TECElogo-Push universal wall disk, long, red brass/silicon bronze

Universal wall disk, long, with 20 mm plug-in male thread for TECElogo-Push push-fittings with integrated grip function. For potable water and heating installations.

Dimension	Item No.	DU 1	DU 2
20 x Rp 1/2"	8723008	10 pc.	50 pc.

Note:

In conjunction with a TECElogo-Push tee or tee reduced, you build your double wall disk yourself.



TECElogo-Push wall disk long, standard brass*

Dimension	Item No.	DU 1	DU 2
16 x Rp 1/2"	8620008	10 pc.	50 pc.



TECElogo-Push universal wall bushing, red brass/silicon bronze

Universal wall bushing with 16 mm plug-in male thread for TECElogo push-fittings with integrated grip function. For potable water and heating installations. With pressure ring, screws and sound-insulation inserts, can be adjusted for wall thicknesses of 18-25 mm.

Dimension	Item No.	DU 1	DU 2
16 x Rp 1/2"	8723009	10 pc.	40 pc.



TECElogo-Push mounting unit 150 mm standard brass*

Wall bushing with push-fitting with integrated grip function.

Dimension	Item No.	DU 1	DU 2
16 x Rp 1/2"	8620009	10 pc.	40 pc.



TECElogo-Push push-fit wall bushing with attachment nuts 3/4"

Universal wall bushing made of silicone bronze with long thread and metallic attachment nuts for variable depth adjustment. The maximum wall thickness/depth setting is 35 mm. With plug-in male thread for TECElogo-Push push-fitting with integrated grip function, for potable water and heating installations.

Dimension	Item No.	DU 1	DU 2
16 x Rp 1/2"	8723012	10 pc.	40 pc.
20 x Rp 1/2"	8723013	10 pc.	40 pc.



TECElogo-Push plug-in coupling DR brass*

Dimension	Item No.	DU 1	DU 2
25 x 20	8730028	1 pc.	50 pc.



TECElogo-Push push-in stopper

Dimension	Item No.	DU 1	DU 2
16	8730032	10 pc.	200 pc.

**TECElogo-Push joint adapter for TECO FASTEC, standard brass**

Joint adapter for connecting TECElogo pipes to TECO FASTEC products, with 20 mm plug-in male thread for TECElogo-Push push-fittings with integrated grip function.

Use the TECElogo FASTEC adapter in combination with the TECElogo coupling 8710520 and for diameters 16 and 25 with the TECElogo coupling reduced 8710616 for 16 mm and 8710625 for 25 mm.

Dimension	Item No.	DU 1	DU 2
20	8730050	10 pc.	50 pc.



TECElogo – Push assembly elements

TECE sound-proofing element

Sound-proofing element for TECEflex and TECElogo wall disks. To minimize transmission of noise to the structure; consisting of sound insulation inserts and sound-proofing cover.



Dimension	Item No.	DU 1	DU 2
For 1/2" wall disks	7 18017	10 pc.	40 pc.
For 1/2" wall disks, long	7 18022	10 pc.	40 pc.
For 1/2" U-double wall disks	7 18024	10 pc.	40 pc.

Caution: Not suitable for use with the Seal System sealing sleeve.

TECE sound insulation box with a special recess for the Seal System sealing sleeve

Sound insulation box for TECEflex and TECElogo wall disks made of high-quality EPP with heat and sound insulation properties. Corresponds to thermal insulation according to GEG 2021 (Annex 8, line ee), specially for combination with the Seal System sealing sleeve.



Dimension	Item No.	DU 1	DU 2
16-20 x Rp 1/2"	7 18031	10 pc.	40 pc.

TECE sound shield for wall disk

Sound shield for TECEflex and TECElogo wall disks. To reduce noise transmission to structure.



Item No.	DU 1	DU 2
7 18026	10 pc.	100 pc.

TECE Seal System assembly plug with sealing sleeve

Reusable special assembly plug for mounting the sealing sleeve in the shell construction phase. Suitable for leak and load testing with air or water. With a metallic thread made of material suitable for drinking water, including Seal System sealing sleeve.



Dimension	Item No.	DU 1	DU 2
1/2"	704802	6 pc.	-
3/4"	704812	10 pc.	50 pc.

TECE Seal System sealing sleeve

Sealing sleeve for creating a standard-compliant wall bushing with walls exposed to water in accordance with DIN 18534 (2017).

Leak water created by an unsealed threaded connection between the wall disk and the valve extension is guided forwards out of the wall. In addition to the TECE wall disks, also suitable for many third-party products.



Dimension	Item No.	DU 1	DU 2
1/2"	704801	10 pc.	-
3/4"	704811	10 pc.	50 pc.

In connection with the Seal System sealing sleeve and a suitable sealing grout. The suitability of external products can be found in the technical information.

TECE Seal System assembly plug with filling and emptying valve with sealing sleeve

Reusable assembly plug with a filling and emptying valve, equipped with a hose connection.



Dimension	Item No.	DU 1	DU 2
1/2"	704809	10 pc.	30 pc.

TECE Seal System sealing collar

Seal System sealing collar for sealing against intrusion of moisture into the wall via fitting connections.



Dimension	Version	Item No.	DU 1	DU 2
140 x 140 mm	1/2"	704803	10 pc.	500 pc.
170 x 170 mm	3/4"	704813	10 pc.	500 pc.

TECE Seal System sealing set 1/2" for wall bushings

Seal System sealing set consisting of:

- 2 x assembly plugs
- 2 x sealing sleeves
- 2 x sealing collars



Item No.	DU 1
704805	1 pc.

TECE fastener made of galvanized steel, single

To fasten TECEflex and TECElogo wall disks, angled, made of galvanized steel.



Item No.	DU 1	DU 2
720527	10 pc.	80 pc.

TECE fastener made of galvanized steel, double

To fasten TECEflex and TECElogo wall disks, angled, made of galvanized steel. Suitable for centres 150 and 80 mm.



Item No.	DU 1	DU 2
720528	5 pc.	20 pc.

TECE fastener made of galvanized steel, double

Item No.	DU 1	DU 2
721005	5 pc.	25 pc.



TECElogo – Push assembly elements

TECE screw

To fasten TECEflex and TECElogo wall disks to galvanized steel fasteners.



Dimension	Item No.	DU 1	DU 2
3,5 x 16 mm	720524	100 pc.	3000 pc.

TECE pipe bend guides

Pipe bend guides made of plastic, to guide pipes out of the screed.



Dimension	Item No.	DU 1	DU 2
14-17 mm	77910010	25 pc.	200 pc.
18-20 mm	77910011	25 pc.	100 pc.
25 mm	77910012	25 pc.	100 pc.

TECElogo-Push mounting unit, red brass/silicon bronze

Prefabricated mounting unit, centre 80 mm. Consisting of two TECElogo-Push wall disks, mounted twist-proof on TECE wall mount. Includes sound-proofing elements and fastener for drain bend. For potable water installations.



Dimension	Centre	Item No.	DU 1	DU 2
16 x Rp 1/2"	80 mm	8723101	1 pc.	5 pc.

TECElogo-Push mounting unit, red brass/silicon bronze

Prefabricated mounting unit, centre 150 mm. Consisting of two TECElogo-Push wall disks, mounted twist-proof on TECE wall mount, includes sound-proofing elements. For potable water installations.



Dimension	Centre	Item No.	DU 1	DU 2
16 x Rp 1/2"	150 mm	8723100	1 pc.	5 pc.

TECElogo-Push universal mounting, red brass/silicon bronze

Prefabricated mounting unit, centre 150 mm. Consisting of two TECElogo-Push universal wall disks, mounted twist-proof on TECE wall mount, includes sound-proofing elements. For potable water installations.



Dimension	Centre	Item No.	DU 1	DU 2
20 x 1/2"	150 mm	8723102	1 pc.	5 pc.

TECElogo-Push mounting unit standard brass

Dimension	Centre	Item No.	DU 1	DU 2
16 x Rp 1/2"	150 mm	8620100	1 pc.	5 pc.



TECE wrap-around tape assembly

Co-extruded three-layer tape for protecting TECE installation pipe connections against external corrosion influences.

Length 12.5 m, width 30 mm, thickness 1 mm



Item No.	DU 1	DU 2
720579	12.5 m	225 m

TECElogo-Push mounting unit standard brass

Dimension	Centre	Item No.	DU 1	DU 2
16 x 1/2"	153 mm	8620103	1 pc.	5 pc.



TECElogo – Push radiator connection

TECElogo-Push radiator mounting elbow

Radiator mounting elbow with push-fitting with integrated grip function, for heating installations, 15 mm copper pipe, nickel-plated.

Dimension	Item No.	DU 1	DU 2
16 x 15 mm Cu	8740401	10 pc.	50 pc.
20 x 15 mm Cu	8740402	10 pc.	50 pc.



TECElogo-Push radiator mounting tee

Radiator mounting tee with push-fitting with integrated grip function, for heating installations, 15 mm copper pipe, nickel-plated.

Dimension	Item No.	DU 1	DU 2
16 x 15 mm Cu	8740403	10 pc.	40 pc.
20 x 15 mm Cu	8740404	10 pc.	40 pc.



TECElogo-Push radiator mounting set

Radiator mounting set with push-fitting with integrated grip function, for compact radiator with integrated valve, floor-mounted, for heating installations, 15 mm copper pipe, nickel-plated.

Dimension	Item No.	DU 1	DU 2
16 x 15 mm Cu	8740405	1 pc.	5 pc.



TECElogo-Push radiator mounting set

Radiator mounting set with push-fitting with integrated grip function, for compact radiator with integrated valve, wall-mounted, for heating installations, 15 mm copper pipe, nickel-plated.

Dimension	Item No.	DU 1	DU 2
16 x 15 mm Cu	8740406	1 pc.	5 pc.



TECE skirting board radiator elbow shut-offs

Made of 15 mm nickel-plated Cu pipe, adjustable and with shut-off, for connection of radiator to TECEflex or TECElogo-Push skirting board radiator connection set.

Dimension	Item No.	DU 1	DU 2
15 mm Cu	730010	1 set	25 set



TECE skirting board radiator elbows

Made of nickel-plated Cu pipe 15 mm. To connect radiator to TECEflex or TECElogo-Push skirting board radiator connection set.



Dimension	Item No.	DU 1	DU 2
15 mm Cu	730025	1 set	20 set

TECE male pinch screw connection 1/2"

15 mm, nickel-plated pinch screw connection to join TECEflex/TECElogo radiator mounting elbow or radiator tees to thermostat valves or to the radiator screw connections.



Dimension	Item No.	DU 1	DU 2
15 mm x R 1/2"	717501	10 pc.	150 pc.

TECE thermostat head

TECE thermostat head M 30 x 1.5, setting range 7-28 °C.



Colour	Item No.	DU 1	DU 2
White	8740461	1 pc.	75 pc.

TECE thermostat valve body, through type

Thermostat valve body, through type, preconfigurable.



Dimension	Item No.	DU 1	DU 2
R 1/2" x Rp 1/2"	8740431	1 pc.	20 pc.

TECE thermostat valve body, corner type

Thermostat valve body, corner type, preconfigurable.



Dimension	Item No.	DU 1	DU 2
R 1/2" x Rp 1/2"	8740432	1 pc.	20 pc.

TECE thermostat valve, through type

Thermostat valve lower part, 90° presettable.



Dimension	Item No.	DU 1	DU 2
R 1/2" x Rp 1/2"	8740463	1 pc.	20 pc.

TECE radiator return screw connection, through type

Radiator return screw connection, through type.



Dimension	Item No.	DU 1	DU 2
R 1/2" x Rp 1/2"	8740433	1 pc.	20 pc.

TECElogo – Push radiator connection

TECE radiator return screw connection, corner type

Radiator return screw connection, corner version.

Dimension	Item No.	DU 1	DU 2
R 1/2" x Rp 1/2"	8740434	1 pc.	20 pc.



TECE two-pipe valve block for HC, through type

Two-pipe valve block for radiator, through type with 3/4" Eurocone.

Dimension	Item No.	DU 1	DU 2
3/4" EC x 3/4" EC	8740435	1 pc.	10 pc.



TECE two-pipe valve block for HC, corner type

Two-pipe valve block for radiator, corner type with 3/4" Eurocone.

Dimension	Item No.	DU 1	DU 2
3/4" EC x 3/4" EC	8740436	1 pc.	10 pc.



TECE two-pipe valve block for HC 1/2" MT, through type

Two-pipe valve block for radiator, through type with 1/2" male thread and 3/4" Eurocone.

Dimension	Item No.	DU 1	DU 2
3/4" EC x R 1/2"	8740437	1 pc.	10 pc.



TECE two-pipe valve block for HC 1/2" MT, corner type

Two-pipe valve block for radiator, corner type with 1/2" male thread and 3/4" Eurocone.

Dimension	Item No.	DU 1	DU 2
3/4" EC x R 1/2"	8740438	1 pc.	10 pc.



TECElogo-Push skirting board radiator connection set

Skirting board radiator connection set, nickel-plated brass, for flow and return pipes incl. 2 clamping ring connections 1/2" x 15 mm Cu, with TECElogo-Push push-fitting with integrated grip function.

Dimension	Item No.	DU 1	DU 2
16 x 16 x 15 mm Cu	8740421	1 set	10 set
20 x 20 x 15 mm Cu	8740422	1 set	10 set
16 x plug x 15 mm Cu	8740423	1 set	10 set
Plug x 16 x 15 mm Cu	8740424	1 set	10 set



TECElogo radiator mounting unit

Radiator mounting unit for compact radiator with integrated valve, with pre-insulated multi-layer composite pipe, 9 mm insulation, λ_R 0.040 W/(mK).

Dimension	Item No.	DU 1	DU 2
16	8740550	1 pc.	5 pc.



TECElogo-Push adapter screw connection, standard brass

Dimension	Item No.	DU 1	DU 2
16 x 12 mm	8611212	10 pc.	80 pc.
16 x 14 mm	8611210	10 pc.	80 pc.
20 x 16 mm	8611211	10 pc.	80 pc.
20 x 18 mm	8611205	10 pc.	80 pc.



TECElogo Eurocone clamped joint*

Clamped joint for TECElogo multi-layer composite pipe. For heating installations.

Dimension	Item No.	DU 1	DU 2
16 x 3/4" EC	8740216	10 pc.	200 pc.
20 x 3/4" EC	8740220	10 pc.	200 pc.



TECE Eurocone clamped joint for copper pipes*

Eurocone clamped joint for copper pipes 15 x 1 mm, with nickel-plated 3/4" union nut and Eurocone.

Dimension	Item No.	DU 1	DU 2
3/4" for copper pipe 15 x 1	8740439	2 pc.	100 pc.



TECElogo-Push pressure-testing plug with ventilation, standard brass

Dimension	Item No.	DU 1	DU 2
16	8640001	10 pc.	50 pc.



TECElogo-Push male connector Eurocone, standard brass

Male connector for 3/4" Eurocone clamp connection.

Dimension	Item No.	DU 1	DU 2
16 x 3/4"	8610108	10 pc.	100 pc.
20 x 3/4"	8610109	10 pc.	50 pc.



* The Eurocone is not subject to any standards and its use must be checked by the customer!

TECElogo – Push radiator connection

TECElogo-Push adapter screw connection with metallic sealing elements

Adapter screw connection for hard copper pipes.

Dimension	Item No.	DU 1	DU 2
16 x 15 mm Cu	8711206	10 pc.	100 pc.
20 x 22 mm Cu	8711207	10 pc.	100 pc.



TECE pipe connector 1/2" x 3/4" MT

Nickel-plated pipe connector 1/2" x 3/4" Eurocone to connect radiators.

Dimension	Item No.	DU 1	DU 2
1/2" x 3/4" EC	8740440	10 pc.	100 pc.



TECE stainless steel heating circuit manifold without flow rate indicator

Stainless steel radiator distribution manifold made of stainless-steel rectangular hollow section 40 x 1.5 mm, (grade 1.4301) in accordance with EN 10088, G 1" union nut on primary side, flat sealing, nickel-plated brass, distance to heating circuit 50 mm.

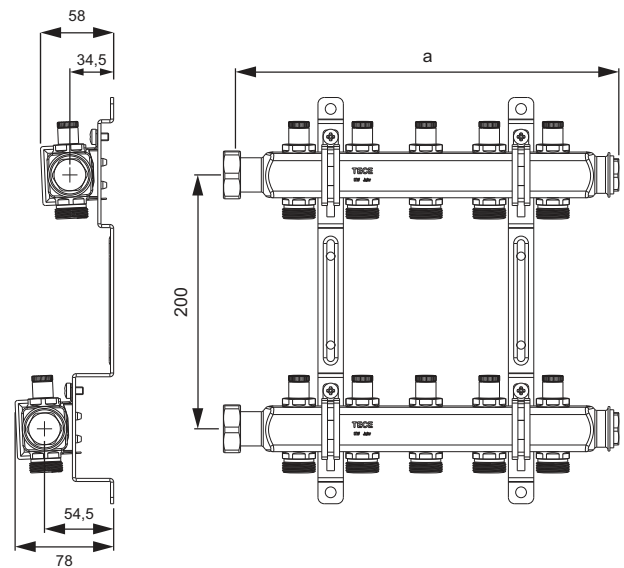
Fully pre-assembled feed and return with:

- Manifold bar with integrated control valves and black protective caps, in accordance with EN 1264-4, outgoing side with pipe connectors on G 3/4" male thread, inside cone in accordance with EN 16313, nickel-plated brass
- Two blanking plugs G 3/4", nickel-coated brass

Packaged in a sturdy carton including:

- Two dual wall brackets 200 x 54.4 x 34.5 with structure-borne sound insulation inserts (DIN 4109) incl. mounting material (1 dual wall bracket for manifold with 2 heating circuits)
- Two flat seals 1"

Version	a	Item No.	DU 1
2 heating circuits	152 mm	7 12540	1 pc.
3 heating circuits	202 mm	7 12541	1 pc.
4 heating circuits	252 mm	7 12542	1 pc.
5 heating circuits	302 mm	7 12543	1 pc.
6 heating circuits	352 mm	7 12544	1 pc.
7 heating circuits	402 mm	7 12545	1 pc.
8 heating circuits	452 mm	7 12546	1 pc.
9 heating circuits	502 mm	7 12547	1 pc.
10 heating circuits	552 mm	7 12548	1 pc.
11 heating circuits	602 mm	7 12549	1 pc.
12 heating circuits	652 mm	7 12550	1 pc.



TECElogo – Push manifold

TECE stainless steel heating circuit manifold without flow rate indicator and control valves

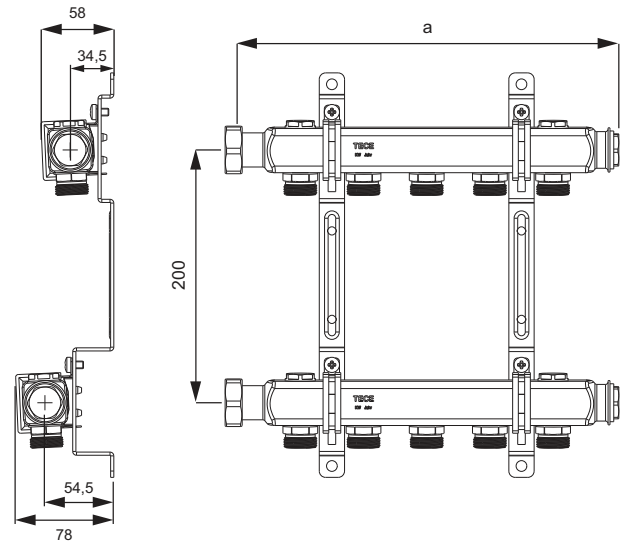
Stainless steel radiator distribution manifold made of stainless-steel rectangular hollow section 40 x 1.5 mm (grade 1.4301) to EN 10088, with G 1" union nut on primary side, flat sealing, nickel plated brass, distance to heating circuit 50 mm.

Fully pre-assembled feed and return with:

- Manifold bar with pipe connectors on G 3/4" male thread, inside cone to EN 16313, nickel-plated brass
- Two blanking plugs G 3/4", nickel-plated brass
- Four blanking plugs G 1/2", nickel-plated brass

Packaged in a sturdy carton including:

- Two dual wall brackets 200 x 54.4 x 34.5 with structure-borne sound insulation inserts (DIN 4109) incl. mounting material (1 dual wall bracket for distributor with 2 heating circuits)
- Two flat seals 1"



Version	a	Item No.	DU 1
2 heating circuits	152 mm	7 12551	1 pc.
3 heating circuits	202 mm	7 12552	1 pc.
4 heating circuits	252 mm	7 12553	1 pc.
5 heating circuits	302 mm	7 12554	1 pc.
6 heating circuits	352 mm	7 12555	1 pc.
7 heating circuits	402 mm	7 12556	1 pc.
8 heating circuits	452 mm	7 12557	1 pc.
9 heating circuits	502 mm	7 12558	1 pc.
10 heating circuits	552 mm	7 12559	1 pc.
11 heating circuits	602 mm	7 12560	1 pc.
12 heating circuits	652 mm	7 12561	1 pc.

TECE fill and drain set with ventilation function 3/4" for TECE heating circuit manifold

Item No.	DU 1
7 12562	1 set



TECElogo-Push manifold, shut-off, standard brass*

TECElogo-Push manifold dimension 16 with shut-offs.

Dimension	Item No.	DU 1	DU 2
3/4" x 16 Two-way	8730008	1 pc.	24 pc.
3/4" x 16 Three-way	8730009	1 pc.	24 pc.



TECE universal manifold, with shut-off, standard brass

TECE manifold, valve with shut-off FT/MT, outlet 3/4" Eurocone.



Dimension	Item No.	DU 1	DU 2
3/4" x 3/4" EC Two-way	8730006	1 pc.	24 pc.
3/4" x 3/4" EC Three-way	8730007	1 pc.	24 pc.
1" x 3/4" EC Two-way	8730010	1 pc.	24 pc.
1" x 3/4" EC Three-way	8730011	1 pc.	24 pc.
1" x 3/4" EC four-way	8730040	1 pc.	12 pc.

TECE double bracket for 3/4" and 1" manifold

Robust bracket for mounting the 3/4" and 1" TECE manifold with sound insulation inserts.



Item No.	DU 1	DU 2
8730014	1 set	25 set

TECElogo-Push manifold, standard brass*

Dimension	Item No.	DU 1	DU 2
R 3/4" x Rp 3/4" x 16 Two-way	8630002	1 pc.	20 pc.
R 3/4" x R 3/4" x 16 Three-way	8630003	1 pc.	20 pc.



TECElogo-Push universal manifold, red brass/silicon bronze

Universal manifold, 3/4" without cap and stopper, with 20 mm plug-in male thread for TECElogo push-fittings with integrated grip function. For potable water and heating installations.

Dimension	Item No.	DU 1	DU 2
R 3/4" x Rp 3/4" x 20 Two-way	8733002	1 pc.	20 pc.
R 3/4" x Rp 3/4" x 20 Three-way	8733003	1 pc.	20 pc.



* For choice of materials observe the information on p. 125.

TECElogo – System components

TECElogo flush-mounted ball valve with handwheel*

Flush-mounted ball valve for shutting off TECElogo pipes. Body and screw-in part made of standard brass in accordance with EN 12164. Spindle with 2 O-rings, providing better guiding of the spindle and double safety. Ball made of chrome-plated brass. Ball sleeve made of PTFE. Full penetration, therefore minimum loss of pressure.

Max. permanent operating temperature: 90 °C. Pressure rating: 10 bar.

Design:

- TECElogo connection on both sides
- With covering anchor plate and handle (chrome-plated)
- With colour coding (red/blue)



Dimension	Item No.	DU 1	DU 2
16	8780016	1 pc.	10 pc.
20	8780020	1 pc.	10 pc.

TECElogo flush-mounted ball valve with dummy cap*

Flush-mounted ball valve for shutting off TECElogo pipes. Body and screw-in part made of standard brass in accordance with EN 12164. Spindle with 2 O-rings, providing better guiding of the spindle and double safety. Ball made of chrome-plated brass. Ball sleeve made of PTFE. Full penetration, therefore minimum loss of pressure.

Max. permanent operating temperature: 90 °C

Pressure rating: 10 bar

Design:

- TECElogo connection on both sides
- Covering anchor plate and dummy cap (chrome-plated)
- Key for shut-off
- Colour coding (red/blue)



Dimension	Item No.	DU 1	DU 2
16	8780116	1 pc.	10 pc.
20	8780120	1 pc.	10 pc.

TECE flush-mounted extension, 23 mm

Flush-mounted extension 23 mm for concealed ball valves 1/2".

Dimension	Item No.	DU 1	DU 2
1/2"	8780200	1 pc.	20 pc.



TECE pipe clip made of polyamide, white

One-piece pipe clip made of white polyamide. Pipe clip closes when pipe is pressed in. Thanks to patented lateral guides, two or more clips can be joined together.

Note:

Not permitted for gas installation!



Dimension	Item No.	DU 1	DU 2
14	785036	100 pc.	2000 pc.
16	785037	100 pc.	2000 pc.
20	785038	50 pc.	1000 pc.
25	785039	50 pc.	1000 pc.
32	785040	50 pc.	1000 pc.
40	785041	25 pc.	250 pc.

TECElogo – Tools

TECElogo-Ax manual tool set

Manual tool set consisting of:

- TECElogo-Ax manual pressing tool
- Fork heads dim. 16-32 mm
- sturdy tool case



Dimension	Item No.	DU 1
16-32	8809800	1 pc.

TECElogo-Ax pressing yokes 16-32 for manual tool

Conversion kit for TECEflex manual pressing tool.



Dimension	Item No.	DU 1
16-32	8809801	1 pc.

TECElogo-Ax RazFaz pressing tool

RazFaz pressing tool consisting of:

- RazFaz battery-pack-operated pressing tool
- Dual pressing forks 16/20 and 25/32
- 1 x battery
- Fast battery recharger
- Stable tool case



Dimension	Item No.	DU 1
16-32	8809802	1 pc.

TECElogo-Ax pressing forks 16-32 for RazFaz pressing tool

Conversion kit for TECEflex RazFaz pressing tools.



Dimension	Item No.	DU 1
16-32	8809803	1 pc.

TECElogo-Push tool case

Tool case with pipe scissors, calibrating and chamfering tools, handle and disassembly tools.



Dimension	Item No.	DU 1
16-25	8760001	1 pc.
32-50	8760007*	1 pc.
32-40	8760010**	1 pc.

TECE pipe cutter

Dimension	Item No.	DU 1
14-25	8760002	1 pc.



TECElogo-Push calibration and chamfering tool

Dimension	Item No.	DU 1
16	8760016	1 pc.
20	8760020	1 pc.
25	8760025	1 pc.
32	8760032	1 pc.
40	8760040	1 pc.
50	8760050	1 pc.
63	8760063	1 pc.



TECElogo-Push handle for calibration and chamfering tool

Dimension	Item No.	DU 1
16-63	8760000	1 pc.



TECElogo-Push quick change tool holder for calibration and chamfering tool

Quick change tool holder for use in cordless screwdrivers and drills. Facilitates rapid exchange of calibration tools.

Dimension	Item No.	DU 1
16-63	8760005	1 pc.



TECElogo-Push disassembly key 16/20

Dimension	Item No.	DU 1
16/20	8760103	1 pc.



TECElogo-Push disassembly key

Dimension	Item No.	DU 1
25	8760125	1 pc.
32	8760132	1 pc.
40	8760140	1 pc.
50	8760150	1 pc.
63	8760163	1 pc.



TECElogo-Push disassembly open-end wrench

Dimension	Item No.	DU 1
16	8760416	1 pc.
20	8760420	1 pc.
25	8760425	1 pc.
32	8760432	1 pc.
40	8760440	1 pc.
50	8760450	1 pc.
63	8760463	1 pc.



TECElogo-Push tool bag

Rugged tool bag for TECElogo tools 16-25 mm, attaches to a belt. TECElogo-Push tools are not included.

Item No.	DU 1
8760011	1 pc.



TECE bending machine dimension 16-32 mm

Compact, one-hand pipe bender, dimension 16-32 mm for TECEflex and TECElogo multi-layer composite pipes to produce consistent pipe bends. Complete with case, with matrices for 16/20/25/32 mm. Bending angle 0-90°.

Item No.	DU 1
720222	1 pc.



TECE bending machine dimension 40-63 mm

Manually operated hydraulic bending machine for TECEflex and TECElogo multi-layer composite pipes, dimensions 40-63 mm for use on-site or prefabrication. Complete with wooden box, with matrices for 40/50/63 mm. Bending angle 0-90°.

Item No.	DU 1
720223	1 pc.



TECElogo outer bending spring

Outer bending spring for ISO composite pipe.

Dimension	Item No.	DU 1
16	8760316	1 pc.
20	8760320	1 pc.
25	8760325	1 pc.



TECE pipe cutter

Dimension	Item No.	DU 1
14-63	8760008	1 pc.



TECElogo pipe holding pliers

Pipe holding pliers with grip-lock to securely hold 16-25 mm TECElogo pipes during calibration process.



Dimension	Item No.	DU 1
16-25	8760006	1 pc.

TECE laying winder

Laying winder, foldable, variably adjustable for TECEfloor, TECEflex and TECElogo rolls up 600 m length.



Dimension	Item No.	DU 1
up to 600 m	720193	1 pc.

TECE pipe straightener

To be mounted on the laying winder for straight removal of 16 and 20 mm TECEflex and TECElogo composite pipes.



Dimension	Item No.	DU 1
16 and 20	720194	1 pc.

TECElogo – Starter set

TECElogo

TECElogo-Push starter set (red brass/silicon bronze/PPSU)

Assortment case with common components of the TECElogo-Push assortment (dimension 16) and tools. Threaded components made of red brass/silicon bronze.

Pos.	Item No.	Designation	Quantity
1	8713002	Female connector 16 x Rp 1/2"	10
2	8713102	Male connector 16 x R 1/2"	10
3	8710716	Elbow 90° 16 x 16	10
4	8710916	Tee 16 x 16 x 16	10
5	8723002	Wall disk 16 x Rp 1/2"	10
6	8760002	Pipe cutter 16-25	1
7	8760016	Calibration and chamfering tool 16	1
8	8760000	Handle 16-63	1
9	8760103	Disassembly key 16/20	1
10	8760416	Disassembly open-end wrench 16	1

Item No.	DU 1
8790003	1 pc.



TECElogo-Push initial equipment package incl. tool (standard brass/PPSU)*

Initial equipment package with standard components from the TECElogo-Push range (dimension 16-25) and tool.

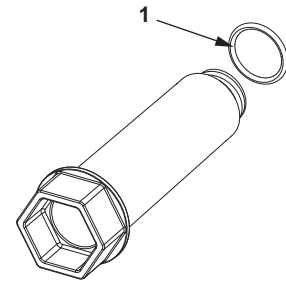
Pos.	Item No.	Designation	Quantity
1	8610002	Female connector 16 x Rp 1/2"	10
	8610004	Female connector 20 x Rp 3/4"	10
2	8710102	Male connector 16 x R 1/2"	10
	8710105	Male connector 20 x R 3/4"	10
3	8710616	Coupling reduced 20 x 16	10
	8710620	Coupling reduced 25 x 16	10
	8710625	Coupling reduced 25 x 20	10
4	8710716	Elbow 90° 16 x 16	10
	8710720	Elbow 20 x 20	10
	8710725	Elbow 25 x 25	10
5	8710916	Tee 16 x 16 x 16	10
	8710920	Tee 20 x 20 x 20	10
	8710925	Tee 25 x 25 x 25	10
	8711004	Tee reduced 20 x 16 x 16	10
	8711005	Tee reduced 20 x 16 x 20	10
6	8711006	Tee reduced 20 x 20 x 16	10
	8711008	Tee reduced 25 x 16 x 25	10
	8711010	Tee reduced 25 x 20 x 25	10
7	8620002	Wall disk 16 x Rp 1/2"	10
8	8760001	Complete tool 16-25 mm	1

Item No.	DU 1
8790002	1 pc.



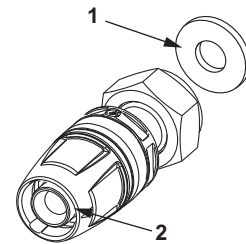
TECE Seal System assembly plug with sealing sleeve

Pos.	Item No.	Designation	DU 1
1	704808	O-ring for assembly plug 1/2"	10 pc.
	704814	O-ring for assembly plug 3/4"	10 pc.



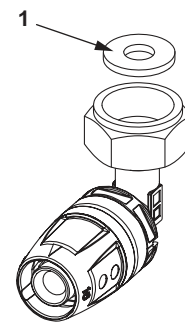
TECElogo-Push screw connection, flat sealing red brass/silicon bronze

Pos.	Item No.	Designation	DU 1
1	8790201	1/2" flat gasket for flat-sealing connectors	10 pc.
	8790202	3/4" flat gasket for flat-sealing connectors	10 pc.
2	8790116	O-ring TECElogo-Push dimension 16	10 pc.
	8790120	O-ring TECElogo-Push dimension 20	10 pc.



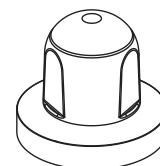
TECElogo-Push elbow coupling flat sealing standard brass

Pos.	Item No.	Designation	DU 1
1	8790202	3/4" flat gasket for flat-sealing connectors	10 pc.
	8790201	1/2" flat gasket for flat-sealing connectors	10 pc.



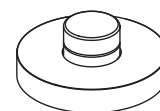
TECElogo flush-mounted ball valve with handwheel

Pos.	Item No.	Designation	DU 1
1	8780000	Handwheel	1 pc.



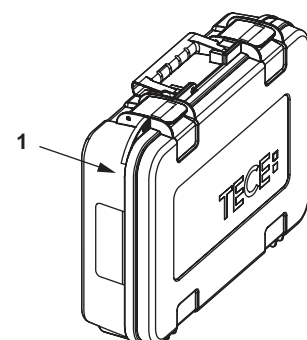
TECElogo flush-mounted ball valve with dummy cap

Pos.	Item No.	Designation	DU 1
1	8780100	Dummy cap	1 pc.



TECElogo-Ax manual tool set

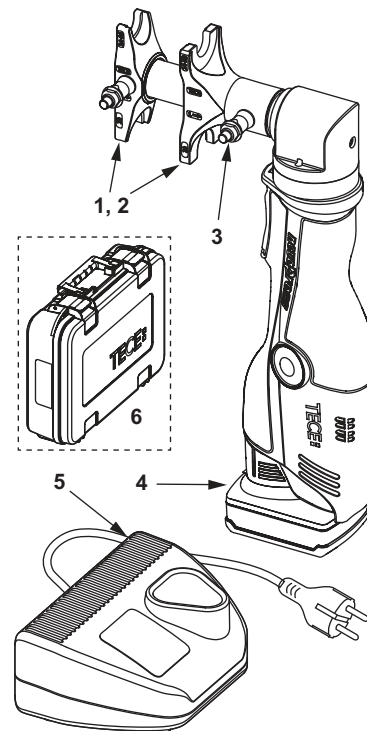
Pos.	Item No.	Designation	DU 1
1	8809806	Tool case for manual tools, empty	1 pc.



TECElogo – Spare parts

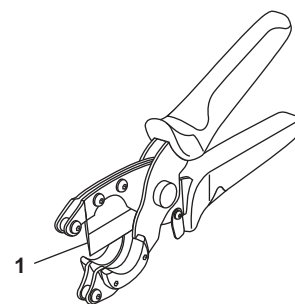
TECElogo-Ax RazFaz pressing tool

Pos.	Item No.	Designation	DU 1
1	8809804	RazFaz pair of pressing forks dimension 16/20	1 pc.
2	8809805	RazFaz pair of pressing forks dimension 25/32	1 pc.
3	720209	Replacement bolt for RazFaz cordless pressing tool	1 pc.
4	720210	Li-Ion rechargeable battery 3.0 Ah for RazFaz tools (from 2014, red tools)	1 pc.
5	720211	Charger for RazFaz devices (from 2014, red tools)	1 pc.
6	8809807	Tool case for RazFaz tools, empty	1 pc.



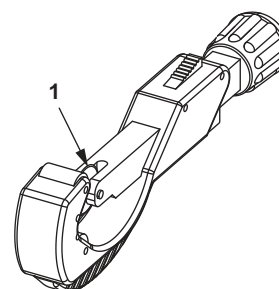
8760002 – TECE pipe cutter

Pos.	Item No.	Designation	DU 1
1	8760003	Spare blade for pipe cutter	1 pc.



8760008 – TECE pipe cutter

Pos.	Item No.	Designation	DU 1
1	8760009	Replacement cutting wheel for pipe cutter	1 pc.



TECElogo-Push O-rings

Dimension	Description	Item No.	DU 1	DU 2
16	TECElogo-Push O-ring	8790116	10 pc.	500 pc.
20	TECElogo-Push O-ring	8790120	10 pc.	500 pc.
25	TECElogo-Push O-ring	8790125	10 pc.	500 pc.
32	TECElogo-Push O-ring	8790132	10 pc.	500 pc.
40	TECElogo-Push O-ring	8790140	10 pc.	500 pc.
50	TECElogo-Push O-ring	8790150	10 pc.	500 pc.
63	TECElogo-Push O-ring	8790163	10 pc.	500 pc.



TECElogo-Ax inner and outer sheath

Dimension	Item No.	DU 1	DU 2
16	8809916	10 pc.	50 pc.
20	8809920	10 pc.	50 pc.
25	8809925	5 pc.	25 pc.
32	8809932	5 pc.	25 pc.



TECElogo-Ax yoke set

For TECElogo-Ax or TECEflex pressure sleeve pressing tools, manual.

Dimension	Item No.	DU 1	DU 2
16	8809816	1 pc.	10 pc.
20	8809820	1 pc.	10 pc.
25	8809825	1 pc.	10 pc.
32	8809832	1 pc.	10 pc.

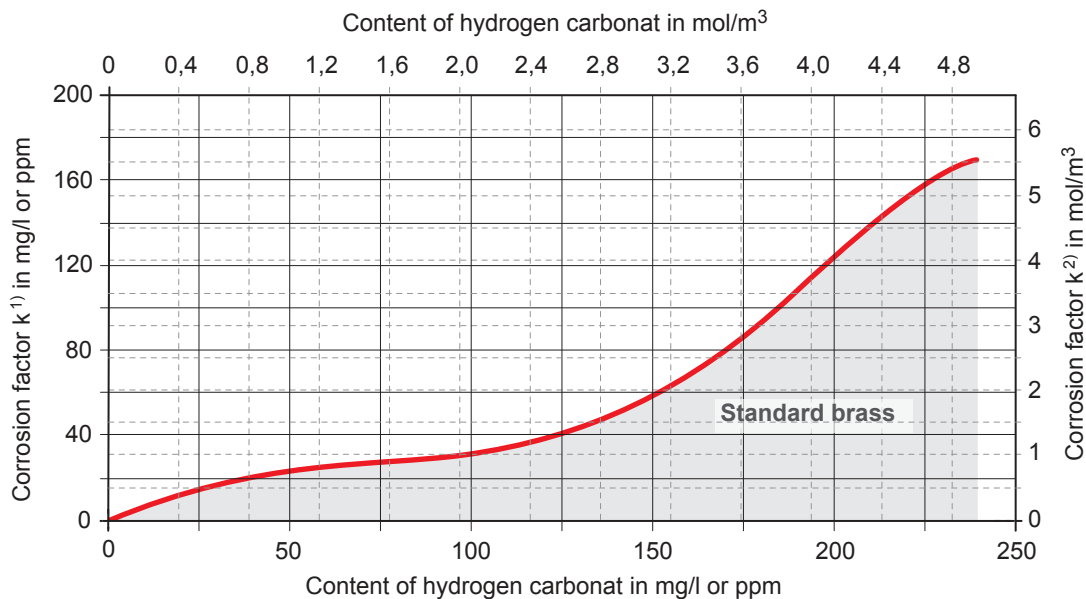


TECElogo – Technical pipe data

TECElogo system pipe	Composite pipe						
Pipe designation	PE-RT/Al/PE-RT				PE-Xc/Al/PE-RT		
Size	16	20	25	32	40	50	63
Delivery lengths of roll (m)	100	100	50	--	--	--	--
Straight lengths (m) (5 m/length)	100	70	45	30	15	15	5
Field of application*	TWA, HKA, FBH*						
Application class/operating pressure	2/10 bar; 5/10 bar						
Colour	white						
Outside diameter (mm)	16	20	25	32	40	50	63
Wall thickness (mm)	2	2.25	2.5	3	4	4.5	6
Inside diameter (mm)	12	15.5	20	26	32	41	51
Fitting insertion (mm)	27	32	35	46	48	48	55
Available in corrugated protective pipe	yes			--			
Available with insulation $\lambda = 0.040 \text{ W}/(\text{m} \cdot \text{K})$							
- 6 mm	yes			--			
- 9 mm	yes			--			
- 13 mm	yes			--			
- 26 mm	yes			--			
Pipe weight empty (kg/m)	0.10	0.14	0.20	0.26	0.53	0.79	1.22
Internal volume (dm ³ /m)	0.11	0.19	0.31	0.53	0.80	1.32	2.04
Pipe roughness (mm)	0.007						
Uninsulated heat conductivity (W/(m ² · K))	0.42						
Coefficient of thermal expansion (mm/(m · K))	0.026						
Minimum bending radius (mm)							
- without bending spring	80	100	125	160	200	250	315
- with bending spring	64	80	100	--	--	--	--

* TWA – potable water system; HKA – radiator connection; FBH – floor heating.

Application limits of fittings made of standard brass for drinking water installations



- 1) k = content of chlorid Cl + 1/3 content of sulphate SO₄ (in mg/l)
- 2) k = content of chlorid Cl + content of sulphate SO₄ (in mol/m³)

For water qualities that are above the limit curve, dezincification corrosion for standard brass is to be expected. They must not be used for these water qualities.

Classification of the operating conditions (according to ISO 10508)

Application class	Calculation temperature T _D °C	Operating period ^b at T _D years ^a	T _{max} °C	Operating period at T _{max} years	T _{mal} °C	Operating period at T _{mal} hours	Typical application range
1 ^a	60	49	80	1	95	100	Hot water supply (60 °C)
2 ^a	70	49	80	1	95	100	Hot water supply (70 °C)
3 ^c	20	0.5	50	4.5	65	100	Low temperature floor heating
	30	20					
	40	25					
4 ^b	20	2.5	70	2.5	100	100	Floor heating and low temperature radiator connection
	40	20					
	60	25					
5 ^b	20	14	90	1	100	100	High temperature radiator connection
	60	25					
	80	10					

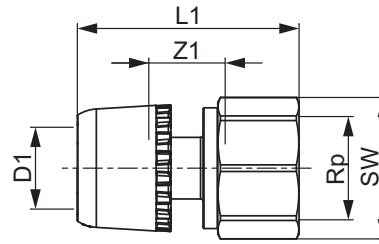
T_D = Temperature for which the pipe is designed. T_{max} = Maximum temperature which may occur for a short period
 T_{mal} = Highest possible "one-off" temperature which may occur during a breakdown (maximum 100 hours in 50 years)

- ^a Depending on its national regulations, a country may choose either class 1 or class 2.
- ^b For an application class, if more than one calculated temperature results for the operating period and its temperature, the associated times for the operating period should be added. "Plus cumulative" in the table implies a temperature group for the temperature given for an operating period (e.g. the temperature group for a period of 50 years for class 5 is made up as follows: 20 °C for 14 years, followed by 60 °C for 25 years, followed by 80 °C for 10 years, followed by 90 °C for 1 year, followed by 100 °C for 100 h).
- ^c Only allowed if the breakdown event temperature cannot rise above 65 °C.

TECElogo – Dimensional drawings

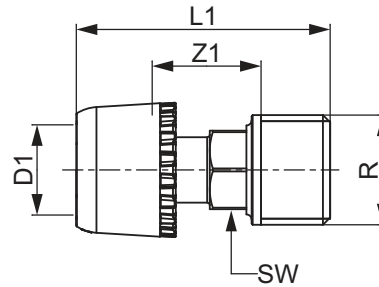
TECElogo-Ax female connector silicon bronze

Dimension	Item No.	Z1	L1	SW
16 x Rp 1/2"	8802001	16	45	27
20 x Rp 1/2"	8802002	15	45	27
20 x Rp 3/4"	8802003	14	46	31
25 x Rp 3/4"	8802004	16	52	31
25 x Rp 1"	8802005	15	55	38
32 x Rp 1"	8802006	16	55	38

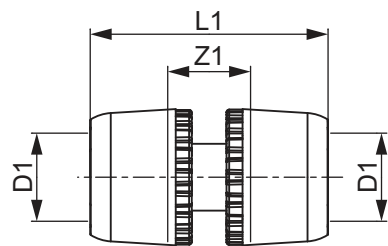


TECElogo-Ax male connector silicon bronze

Dimension	Item No.	Z1	L1	SW
16 x R 1/2"	8802101	21	49	15
16 x R 3/4"	8802102	21	50	22
20 x R 1/2"	8802103	20	49	17
20 x R 3/4"	8802104	20	50	22
25 x R 3/4"	8802105	22	56	22
25 x R 1"	8802106	22	59	30
32 x R 1"	8802107	23	75	30

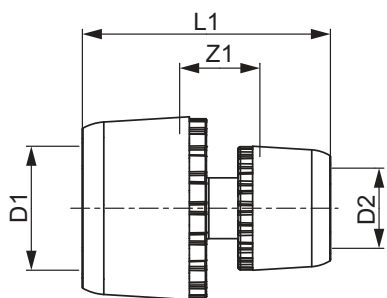


TECElogo-Ax coupling



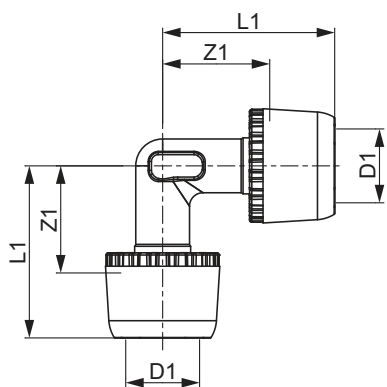
Dimension	Silicon bronze				PPSU	
	Item No.	Z1	L1	Item No.	Z1	L1
16 x 16	8802216	16	45	8832216	16	45
20 x 20	8802220	15	45	8832220	15	45
25 x 25	8802225	18	58	8832225	18	58
32 x 32	8802232	18	58	8832232	18	58

TECElogo-Ax coupling reduced



Dimension	Silicon bronze			PPSU		
	Item No.	Z1	L1	Item No.	Z1	L1
20 x 16	8802301	15	45	8832301	15	45
25 x 16	8802302	17	51	8832302	17	51
25 x 20	8802303	16	51	8832303	16	51
32 x 20	8802304	17	52	8832304	17	52
32 x 25	8802305	18	58	8832305	18	58

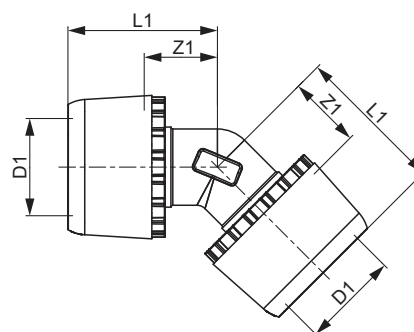
TECElogo-Ax elbow



Dimension	Silicon bronze			PPSU		
	Item No.	Z1	L1	Item No.	Z1	L1
16 x 16	8802416	24	38	8832416	24	38
20 x 20	8802420	26	41	8832420	26	41
25 x 25	8802425	31	51	8832425	31	51
32 x 32	8802432	36	56	8832432	36	56

TECElogo-Ax elbow 45° silicon bronze

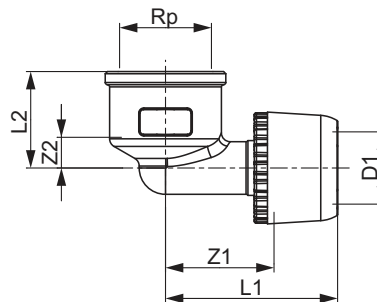
Dimension	Item No.	Z1	L1
25 x 25	8802501	19	39
32 x 32	8802502	21	41



TECElogo – Dimensional drawings

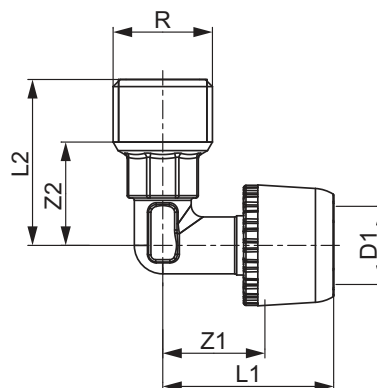
TECElogo-Ax female elbow silicon bronze

Dimension	Item No.	Z1	Z2	L1	L2
16 x Rp 1/2"	8802601	25	7	39	22
20 x Rp 1/2"	8802602	24	7	39	22
20 x Rp 3/4"	8802603	28	9	43	25
25 x Rp 3/4"	8802604	29	14	49	30
32 x Rp 1"	8802605	34	16	54	39



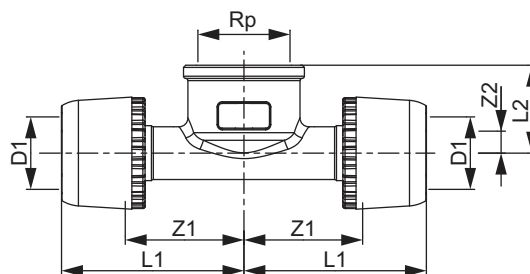
TECElogo-Ax male elbow silicon bronze

Dimension	Item No.	Z1	Z2	L1	L2
16 x R 1/2"	8802701	22	22	36	35
20 x R 1/2"	8802702	21	22	36	35
20 x R 3/4"	8802703	24	22	39	36
25 x R 3/4"	8802704	26	27	46	41
25 x R 1"	8802705	29	27	49	45
32 x R 1"	8802706	30	27	50	46

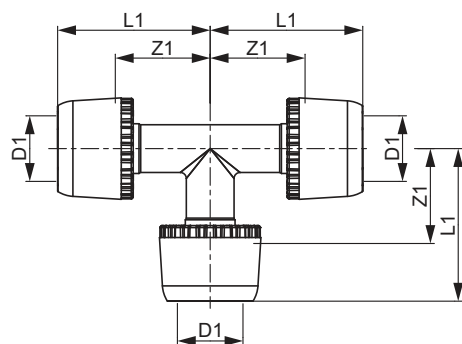


TECElogo-Ax tee FT silicon bronze

Dimension	Item No.	Z1	Z2	L1	L2
16 x Rp 1/2" x 16	8802801	27	5	42	20
20 x Rp 1/2" x 20	8802802	27	7	42	22
25 x Rp 3/4" x 25	8802803	30	14	50	30
32 x Rp 1" x 32	8802804	37	13	57	32

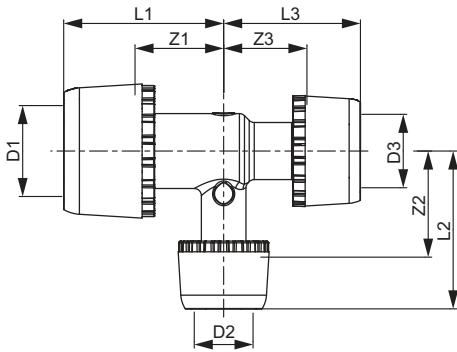


TECElogo-Ax tee



Silicon bronze				PPSU		
Dimension	Item No.	Z1	L1	Item No.	Z1	L1
16 x 16 x 16	8802916	24	38	8832916	24	38
20 x 20 x 20	8802920	26	41	8832920	26	41
25 x 25 x 25	8802925	31	51	8832925	31	51
32 x 32 x 32	8802932	36	56	8832932	36	56

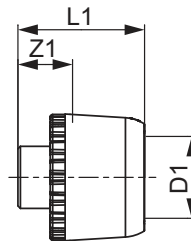
TECElogo-Ax tee reduced



Dimension	Silicon bronze							PPSU						
	Item No.	Z1	Z2	Z3	L1	L2	L3	Item No.	Z1	Z2	Z3	L1	L2	L3
16 x 20 x 16	8803001	27	23	27	41	38	41	8833001	27	23	27	41	38	41
20 x 16 x 16	8803002	23	27	24	38	41	38	8833002	23	27	24	38	41	38
20 x 16 x 20	8803003	23	27	23	38	41	38	8833003	23	27	23	38	41	38
20 x 20 x 16	8803004	26	26	27	41	41	41	8833004	26	26	27	41	41	41
20 x 25 x 20	8803009	29	28	29	44	48	44	8833009	29	28	29	44	48	44
25 x 16 x 20	8803005	25	30	23	45	44	38	8833005	25	30	23	45	44	38
25 x 16 x 25	8803006	25	30	25	45	44	45	8833006	25	30	25	45	44	45
25 x 20 x 20	8803007	28	29	26	48	44	41	8833007	28	29	26	48	44	41
25 x 20 x 25	8803008	28	29	28	48	44	48	8833008	28	29	28	48	44	48
32 x 16 x 32	8803010	25	35	25	45	50	45	8833010	25	35	25	45	50	45
32 x 20 x 32	8803011	28	35	28	48	50	48	8833011	28	35	28	48	50	48
32 x 25 x 25	8803013	31	36	31	51	56	51	8833013	31	36	31	51	56	51
32 x 25 x 32	8803012	31	36	31	51	56	51	8833012	31	36	31	51	56	51

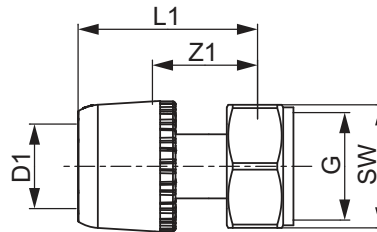
TECElogo-Ax end plug silicon bronze

Dimension	Item No.	Z1	L1
16	8803116	11	26
20	8803120	11	26



TECElogo-Ax screw connection flat sealing silicon bronze

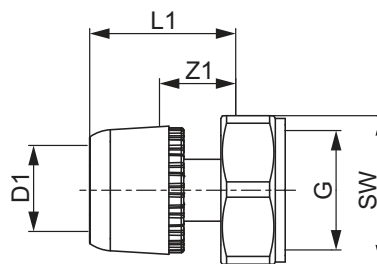
Dimension	Item No.	Z1	L1	G	SW
16 x 1/2"	8803301	21	35	1/2"	24
16 x 3/4"	8803302	22	36	3/4"	29
20 x 3/4"	8803303	22	36	3/4"	29
20 x 1"	8803304	25	40	1"	37
25 x 1"	8803305	27	47	1"	37
25 x 1 1/4"	8803306	29	49	1 1/4"	46
32 x 1 1/4"	8803307	29	49	1 1/4"	46
32 x 1 1/2"	8803308	29	49	1 1/2"	52



TECElogo – Dimensional drawings

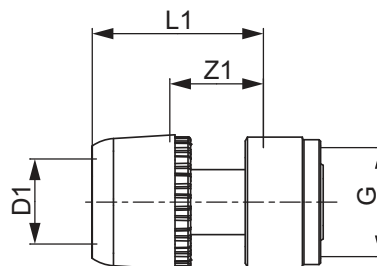
TECElogo-Ax 3/4" Eurocone screw connection with TECElogo-Ax pressure connection, silicon bronze

Dimension	Item No.	Z1	L1	G	SW
16	8804616	16	30	3/4"	30
20	8804620	16	32	3/4"	30



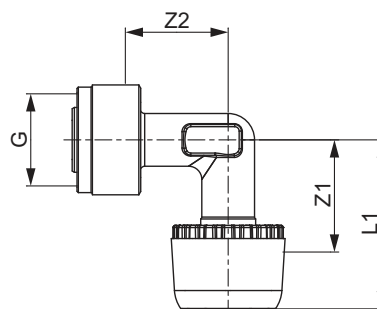
TECElogo-Ax quick adapter, straight, silicon bronze

Dimension	Item No.	Z1	L1	G
16 x 1/2"	8804801	18	33	1/2"



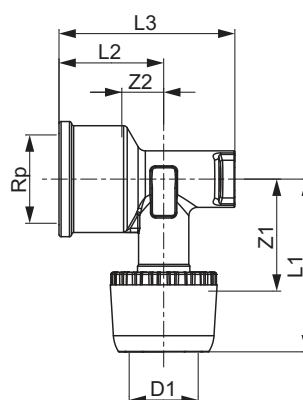
TECElogo-Ax quick adapter 90° angle, silicon bronze

Dimension	Item No.	Z1	Z2	L1	G
16 x 1/2"	8804802	25	24	39	1/2"



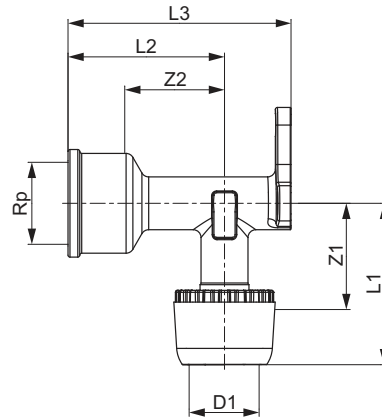
TECElogo-Ax wall disk silicon bronze

Dimension	Item No.	Z1	Z2	L1	L2	L3
16 x Rp 1/2"	8803401	26	10	41	25	42
20 x Rp 1/2"	8803402	26	10	41	25	42
20 x Rp 3/4"	8803403	32	11	47	28	45



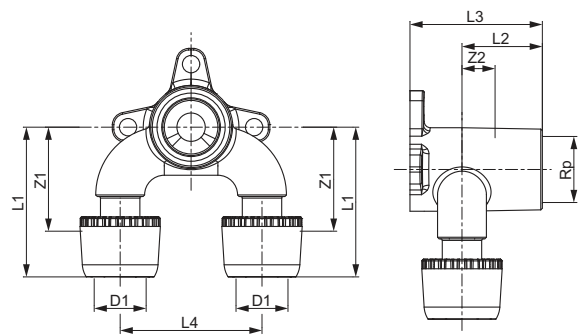
TECElogo-Ax wall disc, 57 mm long, silicon bronze

Dimension	Item No.	Z1	Z2	L1	L2	L3
16 x Rp 1/2"	8803502	27	25	41	40	57



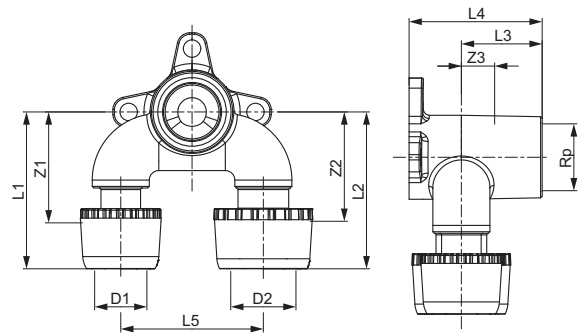
TECElogo-Ax U-double wall disk, pressure-loss optimised silicon bronze

Dimension	Item No.	Z1	Z2	L1	L2	L3	L4
16 x Rp 1/2"	8803701	33	11	48	26	42	45
20 x Rp 1/2"	8803702	35	11	50	26	42	45



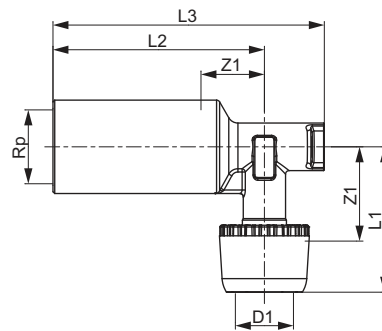
TECElogo-Ax U-double wall disk reduced, pressure-loss optimised, silicon bronze

Dimension	Item No.	Z1	Z2	Z3	L1	L2	L3	L4	L5
16 x Rp 1/2" x 20	8803801	35	35	11	50	50	26	42	45
20 x Rp 1/2" x 16	8803802	35	35	11	50	50	26	42	45



TECElogo-Ax wall disk long silicon bronze

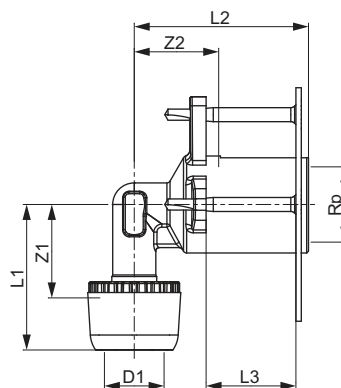
Dimension	Item No.	Z1	Z2	L1	L2	L3
16 x Rp 1/2"	8803501	27	18	41	60	77



TECElogo – Dimensional drawings

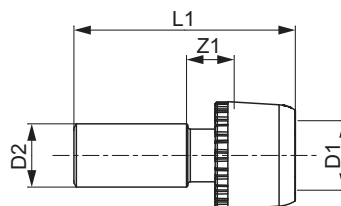
TECElogo-Ax wall bushing elbow with pressure ring silicon bronze

Dimension	Item No.	Z1	Z2	L1	L2	L3
16 x Rp 1/2"	8803901	26	24	41	49	18-25



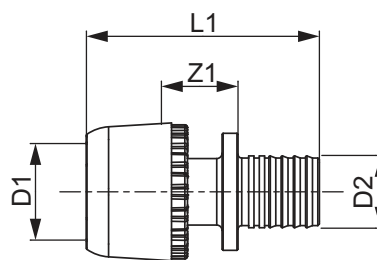
TECElogo-Ax press connection silicon bronze

Dimension	Item No.	Z1	L1
16 x 15 mm Cu	8803201	11	53
20 x 18 mm Cu	8803202	11	53
20 x 22 mm Cu	8803203	11	53
25 x 22 mm Cu	8803204	13	59
32 x 28 mm Cu	8803205	13	60



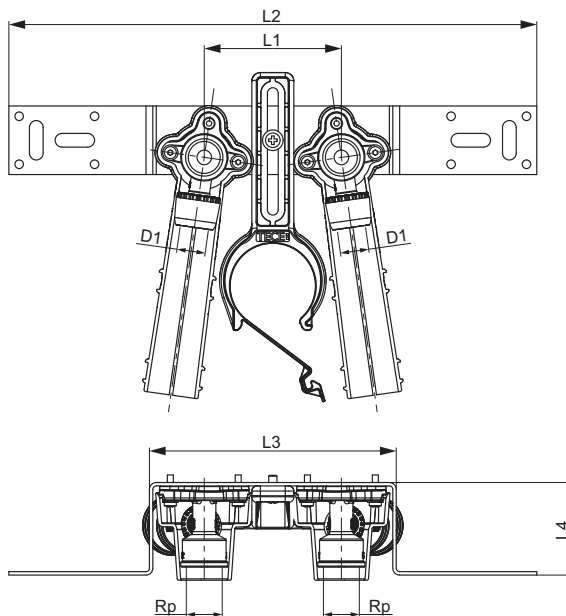
TECElogo-Ax transition coupling to TECEflex, silicon bronze

Dimension	Item No.	Z1	L1
16 x 16	8804351	14	44
20 x 20	8804352	14	46
25 x 25	8804353	16	61



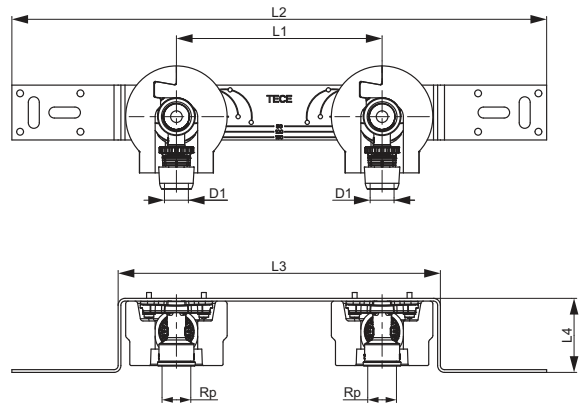
TECElogo-Ax assembly unit silicon bronze

Dimension	Item No.	L1	L2	L3	L4
16 x Rp 1/2"	8804003	80	308	144	54



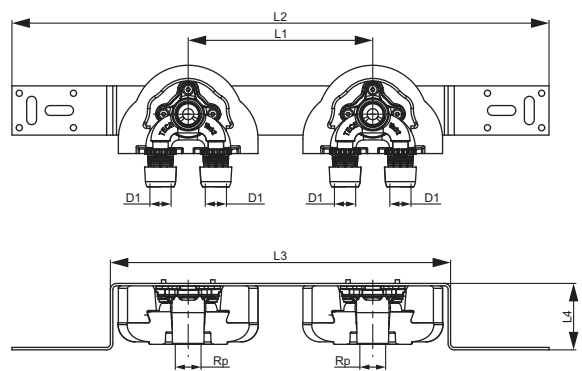
TECElogo-Ax assembly unit silicon bronze

Dimension	Item No.	L1	L2	L3	L4
16 x Rp 1/2"	8804001	150	390	230	54
20 x Rp 1/2"	8804002	150	390	230	54



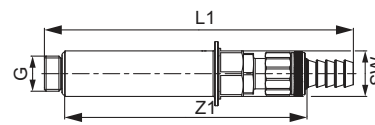
TECElogo-Ax assembly unit silicon bronze

Dimension	Item No.	L1	L2	L3	L4
16 x Rp 1/2"	8804004	150	437	277	54



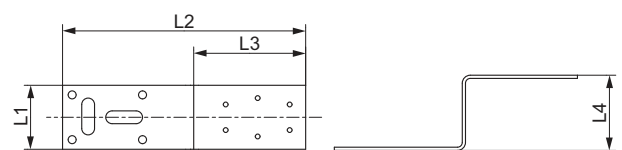
TECE Seal System assembly plug with filling and emptying valve with sealing sleeve

Dimension	Item No.	Z1	L1	G	SW
1/2"	704809	138	174	1/2"	27



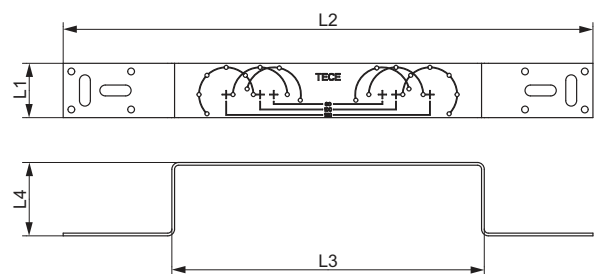
TECE fastener made of galvanized steel, single

Item No.	L1	L2	L3	L4
720527	40	150	70	47



TECE fastener made of galvanized steel, double

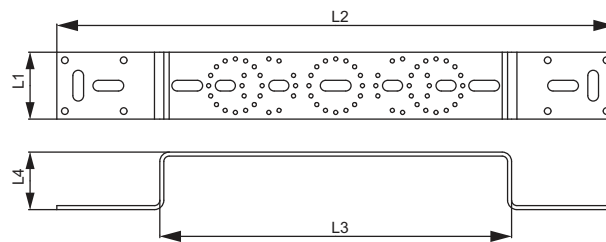
Item No.	L1	L2	L3	L4
720528	40	390	230	54



TECElogo – Dimensional drawings

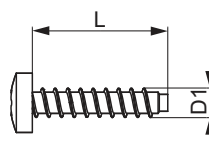
TECE fastener made of galvanized steel, double

Item No.	L1	L2	L3	L4
721005	50	417	263	43



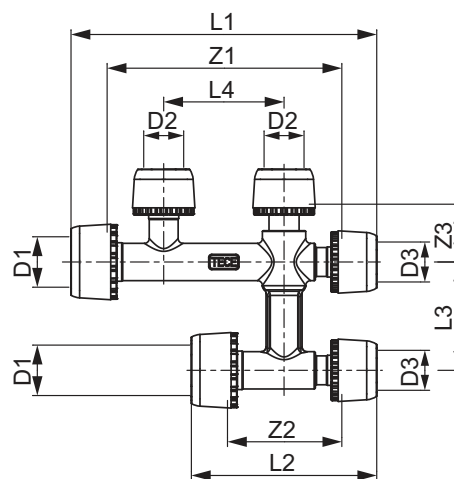
TECE screw

Dimension	Item No.	L1
3,5 x 16 mm	720524	16



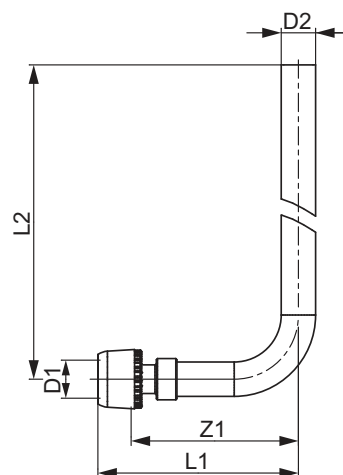
TECElogo-Ax cross-fitting brass, nickel-plated

Dimension	Item No.	Z1	Z2	Z3	L1	L2	L3	L4
16 x 16 x 16	8864101	98	48	24	127	77	45	50
20 x 16 x 16	8864102	98	48	24	127	77	45	50
20 x 16 x 20	8864103	97	47	24	127	77	45	50



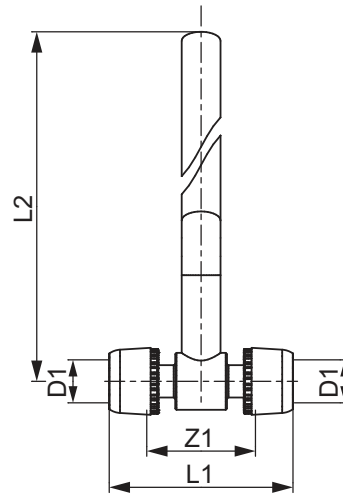
TECElogo-Ax radiator mounting elbow

Dimension	Item No.	Z1	L1	L2
16 x 15 mm Cu	8864201	73	88	289
20 x 15 mm Cu	8864202	72	87	289



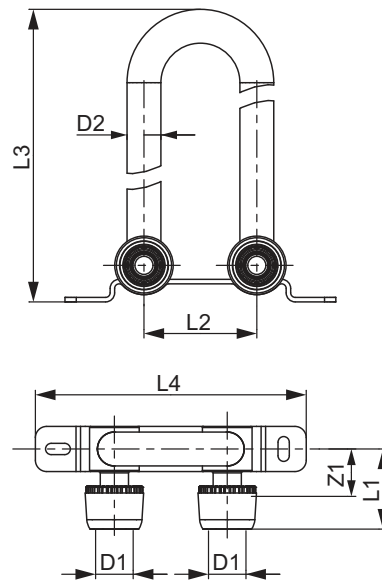
TECElogo-Ax radiator mounting tee

Dimension	Item No.	Z1	L1	L2
16 x 15 mm Cu	8864203	42	71	289
20 x 15 mm Cu	8864204	41	71	291



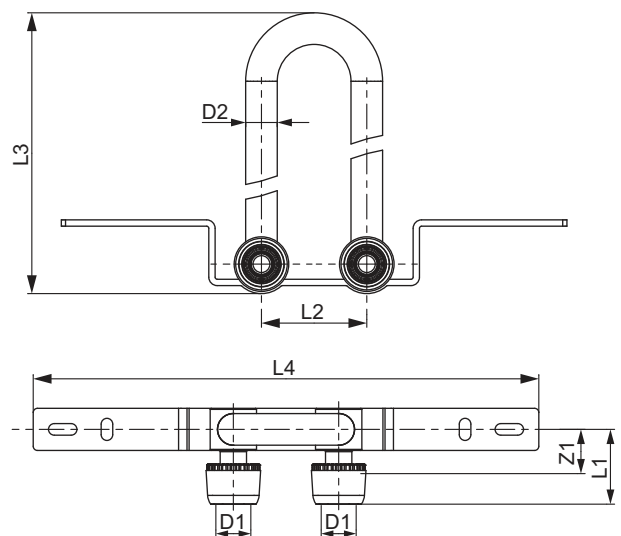
TECElogo-Ax radiator mounting set

Dimension	Item No.	Z1	L1	L2	L3	L4
16 x 15 mm Cu	8864205	21	36	50	334	120



TECElogo-Ax radiator mounting set

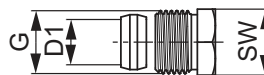
Dimension	Item No.	Z1	L1	L2	L3	L4
16 x 15 mm Cu	8864206	21	36	50	252	240



TECElogo – Dimensional drawings

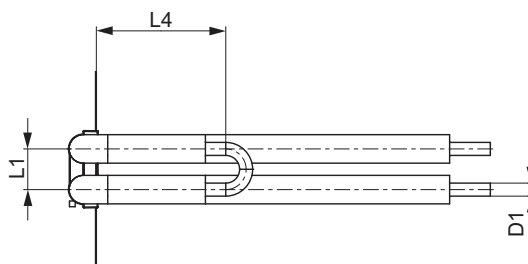
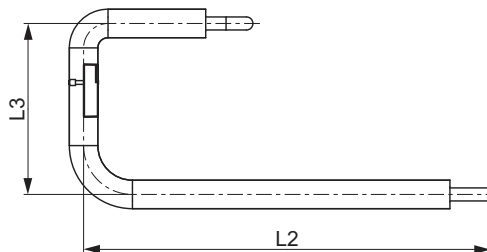
TECE male pinch screw connection 1/2"

Dimension	Item No.	G	SW
15 mm x R 1/2"	717501	1/2"	22



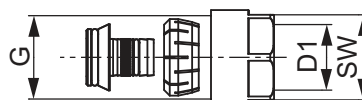
TECElogo radiator mounting unit

Dimension	Item No.	L1	L2	L3	L4
16	8740550	50	500	210	159

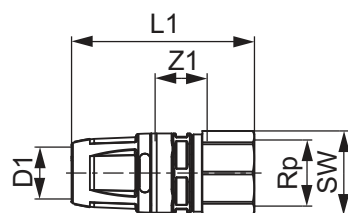


TECElogo Eurocone clamped joint

Dimension	Item No.	G	SW
16 x 3/4" EC	8740216	3/4"	27
20 x 3/4" EC	8740220	3/4"	27

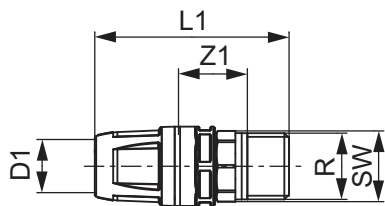


TECElogo-Push female connector



Dimension	Red brass/silicon bronze			Standard brass				
	Item No.	Z1	L1	SW	Item No.	Z1	L1	SW
16 x Rp 1/2"	8713002	17	58	25	8610002	17	58	25
20 x Rp 1/2"	8713003	16	62	25	8610003	16	62	25
20 x Rp 3/4"	8713004	16	64	31	8610004	16	64	31
25 x Rp 1"	8713006	16	69	38	8610006	16	69	38
25 x Rp 3/4"	8713005	16	66	31	8610005	16	66	31
32 x Rp 1"	8713007	19	85	38	8610007	19	85	38
40 x Rp 1 1/2"	8713008	21	91	53	8610008	21	91	53
50 x Rp 2"	8713009	23	97	67	8610009	23	97	67
63 x Rp 2"	8713010	23	106	67	-	-	-	-

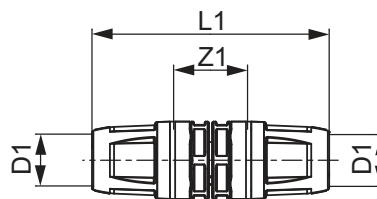
TECElogo-Push male connector



Dimension	Red brass/silicon bronze				Standard brass			
	Item No.	Z1	L1	SW	Item No.	Z1	L1	SW
16 x R 1/2"	8713102	22	62	21	8610102	22	62	21
16 x R 3/4"	8713103	22	63	27	8610103	21	62	27
16 x R 3/8"	-	-	-	-	8610100	21	58	19
20 x R 1/2"	8713104	22	67	21	8610104	21	66	21
20 x R 3/4"	8713105	20	66	27	8610105	21	67	27
25 x R 1"	8713107	21	72	34	8610107	20	72	34
25 x R 3/4"	8713106	20	69	27	8610106	20	69	27
32 x R 1"	8713108	26	89	34	8610116	26	89	34
40 x R 1 1/4"	8713109	26	94	42	8610117	26	94	42
50 x R 1 1/2"	8713110	26	95	48	8610118	26	95	48
63 x R 2"	8713111	30	110	60	-	-	-	-

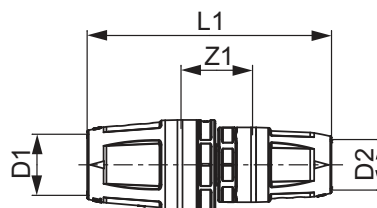
TECElogo-Push coupling, PPSU

Dimension	Item No.	Z1	L1
16 x 16	8710516	24	77
20 x 20	8710520	24	87
25 x 25	8710525	24	93
32 x 32	8710532	32	124
40 x 40	8710540	32	128
50 x 50	8710550	32	128
63 x 63	8710563	43	150



TECElogo-Push coupling reduced, PPSU

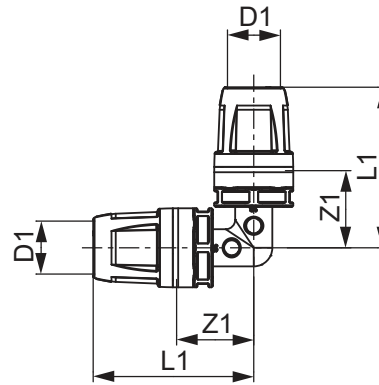
Dimension	Item No.	Z1	L1
20 x 16	8710616	24	82
25 x 16	8710620	24	85
25 x 20	8710625	24	90
32 x 20	8710632	28	106
32 x 25	8710633	28	109
40 x 32	8710640	32	126
50 x 40	8710650	32	129
63 x 50	8710663	37	140



TECElogo – Dimensional drawings

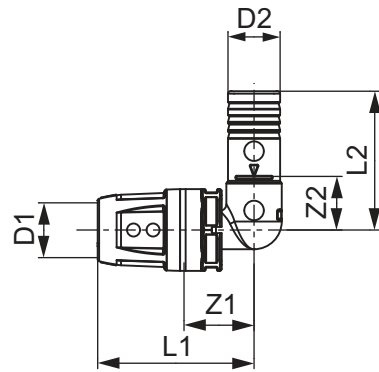
TECElogo-Push 90° elbow, PPSU

Dimension	Item No.	Z1	L1
16 x 16	8710716	25	51
20 x 20	8710720	27	58
25 x 25	8710725	32	66
32 x 32	8710732	38	83
40 x 40	8710740	41	91
50 x 50	8710750	47	97
63 x 63	8710763	65	119



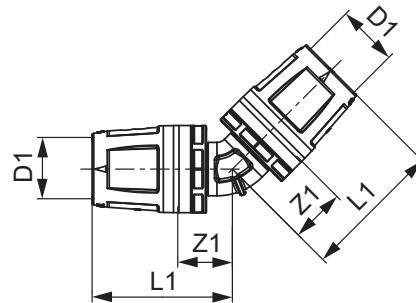
TECElogo-Push insertion elbow 90°, PPSU

Dimension	Item No.	Z1	Z2	L1	L2
16 x 16	8711116	22	16	48	43
20 x 20	8711120	23	18	55	49
25 x 25	8711125	26	20	60	55

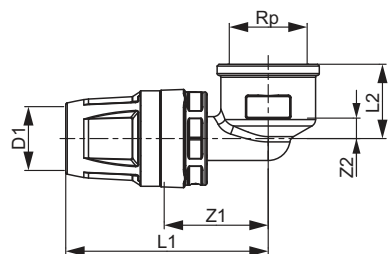


TECElogo-Push elbow 45°, red brass/silicon bronze

Dimension	Item No.	Z1	L1
25 x 25	8711225	22	57
32 x 32	8711232	27	73
40 x 40	8711240	31	79
50 x 50	8711250	32	80
63 x 63	8711263	41	95

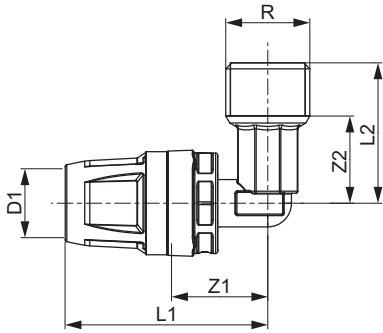


TECElogo-Push female elbow



Dimension	Item No.	Red brass/silicon bronze				Standard brass				
		Z1	Z2	L1	L2	Item No.	Z1	Z2	L1	L2
16 x Rp 1/2"	8713202	28	8	55	20	8610202	28	8	55	20
20 x Rp 1/2"	8713203	28	8	59	20	8610203	28	8	59	20
20 x Rp 3/4"	8713204	31	10	62	23	8610204	31	10	62	23
25 x Rp 3/4"	8713205	31	14	66	30	8610205	31	14	66	30
32 x Rp 1"	8713206	40	16	86	35	8610206	40	16	86	35

TECElogo-Push male elbow

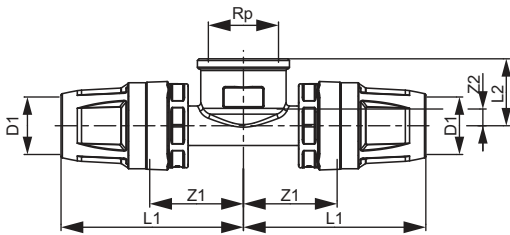


Red brass/silicon bronze

Standard brass

Dimension	Item No.	Z1	Z2	L1	L2	Item No.	Z1	Z2	L1	L2
16 x R 1/2"	8713302	24	22	51	35	8610302	24	22	51	35
20 x R 1/2"	8713303	24	22	56	35	8610303	24	22	56	35
20 x R 3/4"	8713304	27	22	59	36	8610304	27	22	59	36
25 x R 1"	8713306	31	28	65	45	8610306	31	28	65	45
25 x R 3/4"	8713305	27	27	62	41	8610305	27	27	62	41
32 x R 1"	8713307	36	28	82	45	8610312	36	28	82	45

TECElogo-Push tee female thread



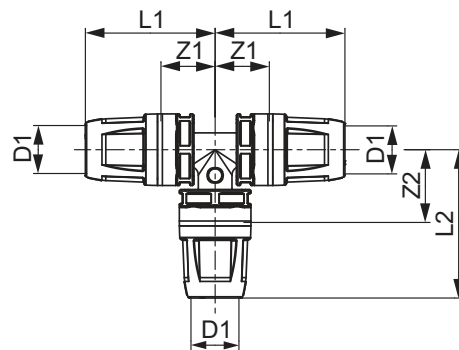
Red brass/silicon bronze

Standard brass

Dimension	Item No.	Z1	Z2	L1	L2	Item No.	Z1	Z2	L1	L2
16 x Rp 1/2" x 16	8713402	28	5	55	20	8610402	28	5	55	20
20 x Rp 1/2" x 20	8713403	28	5	60	20	8610403	28	5	60	20
25 x Rp 3/4" x 25	8713404	31	14	66	30	8610404	31	14	66	30
32 x Rp 1" x 32	8713405	36	13	86	32	8610406	36	13	86	32
40 x Rp 1" x 40	8713406	39	14	87	33	8610408	39	14	87	33
50 x Rp 1 1/4" x 50	8713407	44	18	92	39	8610410	44	18	92	39
63 x Rp 1 1/2" x 63	8713408	60	31	114	52	-	-	-	-	-

TECElogo-Push tee, PPSU

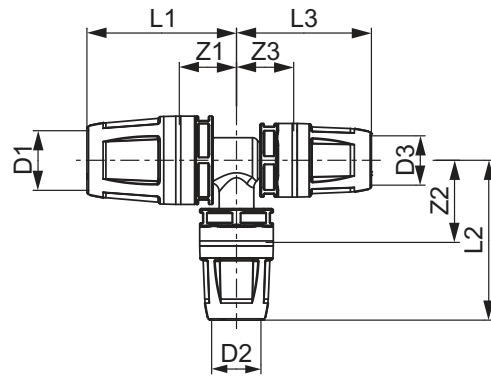
Dimension	Item No.	Z1	Z2	L1	L2
16 x 16 x 16	8710916	19	26	46	52
20 x 20 x 20	8710920	21	28	53	60
25 x 25 x 25	8710925	23	31	58	66
32 x 32 x 32	8710932	28	39	74	85
40 x 40 x 40	8710940	31	45	79	93
50 x 50 x 50	8710950	36	52	84	100
63 x 63 x 63	8710963	60	60	118	118



TECElogo – Dimensional drawings

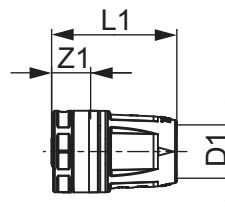
TECElogo-Push tee reduced, PPSU

Dimension	Item No.	Z1	Z2	Z3	L1	L2	L3
20 x 16 x 16	8711004	20	28	20	51	55	46
20 x 16 x 20	8711005	20	28	20	51	55	51
20 x 20 x 16	8711006	21	28	21	53	60	48
25 x 16 x 16	8711007	19	31	19	54	58	46
25 x 16 x 25	8711008	19	31	19	54	58	54
25 x 20 x 20	8711009	21	31	21	56	63	53
25 x 20 x 25	8711010	21	31	21	56	63	56
20 x 25 x 20	8711011	23	28	23	55	63	55
32 x 16 x 32	8711012	22	36	22	68	62	68
32 x 20 x 32	8711013	24	36	24	70	67	70
32 x 25 x 32	8711014	26	36	26	72	70	72
32 x 25 x 25	8711015	26	36	23	72	70	57
40 x 25 x 40	8711017	26	41	26	74	76	74
40 x 32 x 40	8711018	28	45	28	76	91	76
40 x 32 x 32	8711019	28	45	28	76	91	74
50 x 25 x 50	8711020	26	48	26	74	83	74
50 x 32 x 50	8711021	28	52	28	76	98	76
63 x 32 x 63	8711022	41	59	41	99	105	99
63 x 50 x 63	8711023	53	59	53	111	107	111



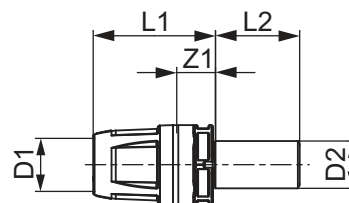
TECElogo-Push end plug, PPSU

Dimension	Item No.	Z1	L1
16	8710817	12	38
20	8710821	12	44

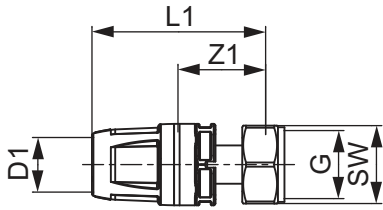


TECElogo-Push pressing adapter, red brass/silicon bronze

Dimension	Item No.	Z1	L1	L2
16 x 15 mm	8730100	12	39	27
20 x 18 mm	8730101	12	44	27
25 x 22 mm	8730102	12	47	27



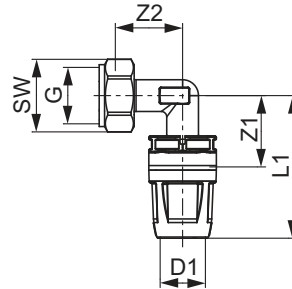
TECElogo-Push screw connection, flat sealing



Dimension	Red brass/silicon bronze					Standard brass				
	Item No.	Z1	L1	G	SW	Item No.	Z1	L1	G	SW
16 x 1/2"	8733201	27	54	1/2"	24	8630201	27	54	1/2"	24
16 x 3/4"	8733202	28	54	3/4"	29	8630202	28	54	3/4"	29
16 x 3/8"	-	-	-	-	-	8630200	27	54	3/8"	19
20 x 3/4"	8733203	28	59	3/4"	29	8630203	28	59	3/4"	29
25 x 1"	8733204	32	67	1"	37	8630204	32	67	1"	37
32 x 1 1/4"	8733205	37	84	1 1/4"	46	8630205	37	84	1 1/4"	46
40 x 1 1/2"	-	-	-	-	-	8630207	40	88	1 1/2"	52

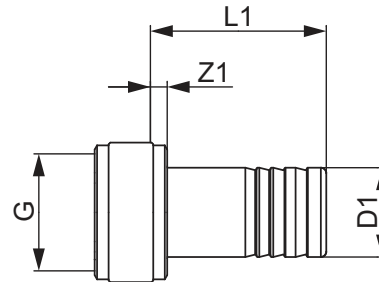
TECElogo-Push elbow coupling flat sealing standard brass

Dimension	Item No.	Z1	Z2	L1	G	SW
16 x 3/8"	8730215	22	24	49	3/8"	19
16 x 1/2"	8730216	27	25	53	1/2"	24

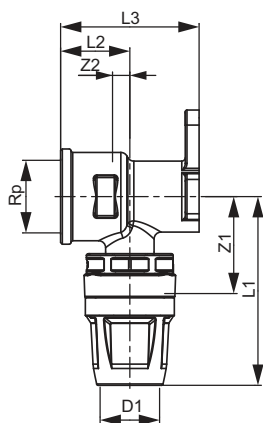


TECElogo-Push quick adapter, silicon bronze

Dimension	Item No.	Z1	L1	G
16 x 1/2"	8730310	3	32	1/2"



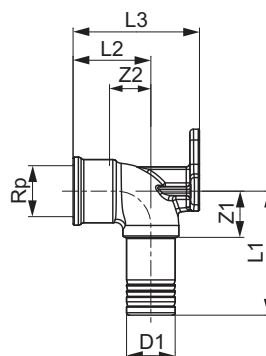
TECElogo-Push wall disk



Dimension	Red brass/silicon bronze						Standard brass					
	Item No.	Z1	Z2	L1	L2	L3	Item No.	Z1	Z2	L1	L2	L3
16 x Rp 1/2"	8723002	28	5	55	20	40	8620002	28	5	55	20	40
20 x Rp 1/2"	8723004	28	5	60	20	40	8620003	28	5	60	20	40

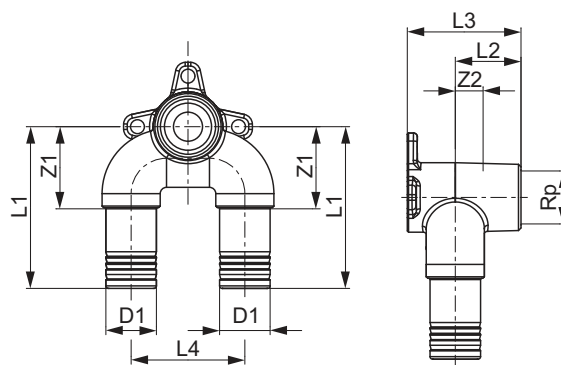
TECElogo-Push universal wall disk, red brass/silicon bronze

Dimension	Item No.	Z1	Z2	L1	L2	L3
20 x Rp 1/2"	8723003	19	17	51	32	52



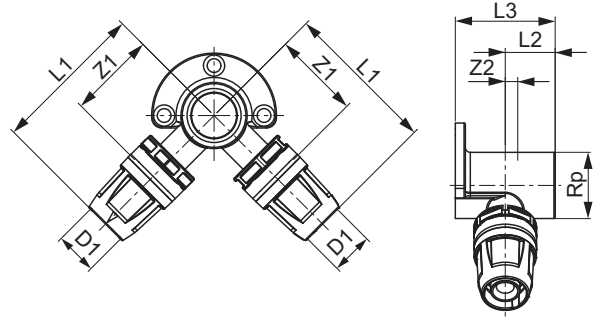
TECElogo-Push universal double wall disk, red brass/silicon bronze

Dimension	Item No.	Z1	Z2	L1	L2	L3	L4
20 x Rp 1/2" x 20	8723011	33	11	64	26	45	45



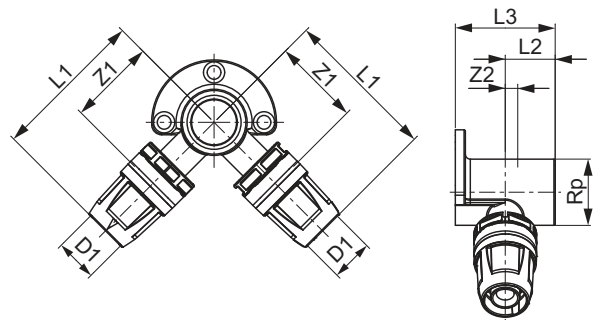
TECElogo-Push double wall disk, Si-bronze

Dimension	Item No.	Z1	Z2	L1	L2	L3
16 x Rp 1/2" x 16	8723014	35	5	62	20	40



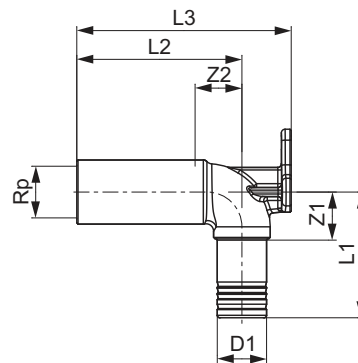
TECElogo-Push double wall disk standard brass

Dimension	Item No.	Z1	Z2	L1	L2	L3
16 x Rp 1/2" x 16	8620007	35	5	62	20	40



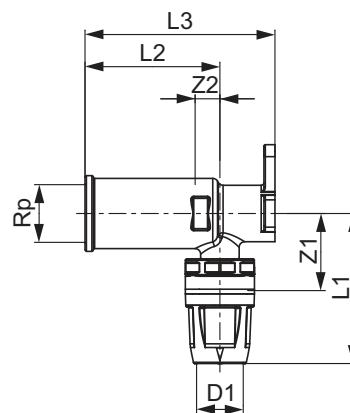
TECElogo-Push universal wall disk, long, red brass/silicon bronze

Dimension	Item No.	Z1	Z2	L1	L2	L3
20 x Rp 1/2"	8723008	20	19	51	67	87



TECElogo-Push wall disk long, standard brass

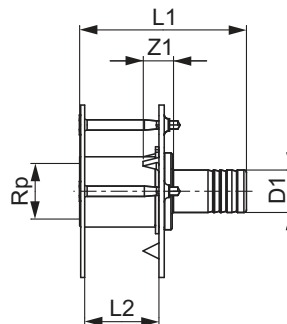
Dimension	Item No.	Z1	Z2	L1	L2	L3
16 x Rp 1/2"	8620008	28	9	55	49	69



TECElogo – Dimensional drawings

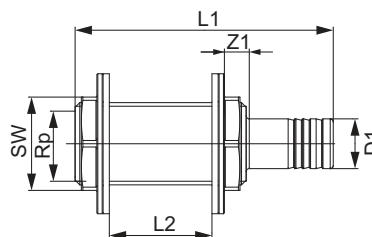
TECElogo-Push universal wall bushing, red brass/silicon bronze

Dimension	Item No.	Z1	L1	L2
16 x Rp 1/2"	8723009	11	63	18-25



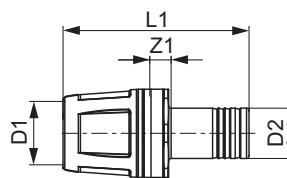
TECElogo-Push push-fit wall bushing with attachment nuts 3/4"

Dimension	Item No.	Z1	L1	L2	SW
16 x Rp 1/2"	8723012	8	83	37	30
20 x Rp 1/2"	8723013	8	87	37	30



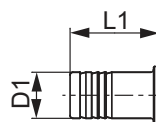
TECElogo-Push plug-in coupling DR brass

Dimension	Item No.	Z1	L1
25 x 20	8730028	9	74



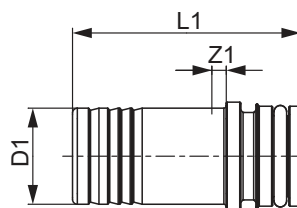
TECElogo-Push push-in stopper

Dimension	Item No.	L1
16	8730032	31



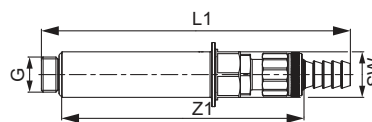
TECElogo-Push joint adapter for TECO FASTEC, standard brass

Dimension	Item No.	Z1	L1
20	8730050	3	48



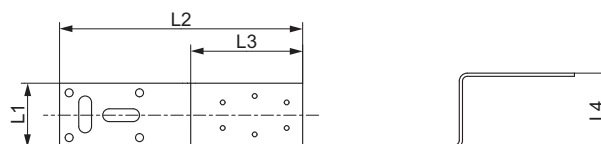
TECE Seal System assembly plug with filling and emptying valve with sealing sleeve

Dimension	Item No.	Z1	L1	G	SW
1/2"	704809	138	174	1/2"	27



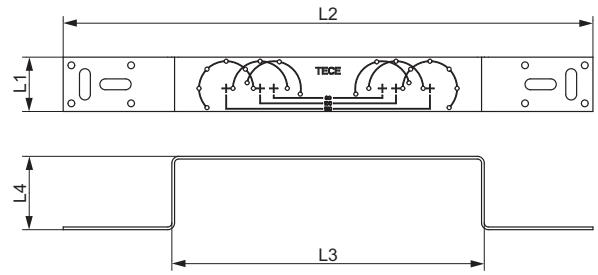
TECE fastener made of galvanized steel, single

Item No.	L1	L2	L3	L4
720527	40	150	70	47



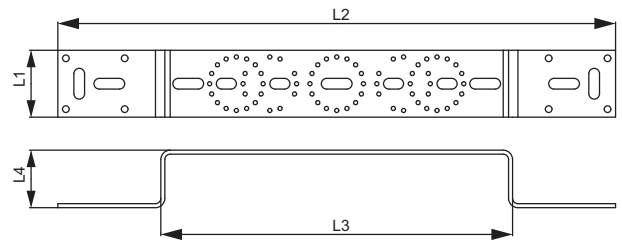
TECE fastener made of galvanized steel, double

Item No.	L1	L2	L3	L4
720528	40	390	230	54



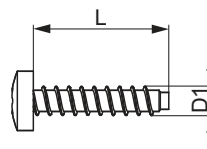
TECE fastener made of galvanized steel, double

Item No.	L1	L2	L3	L4
721005	50	417	263	43



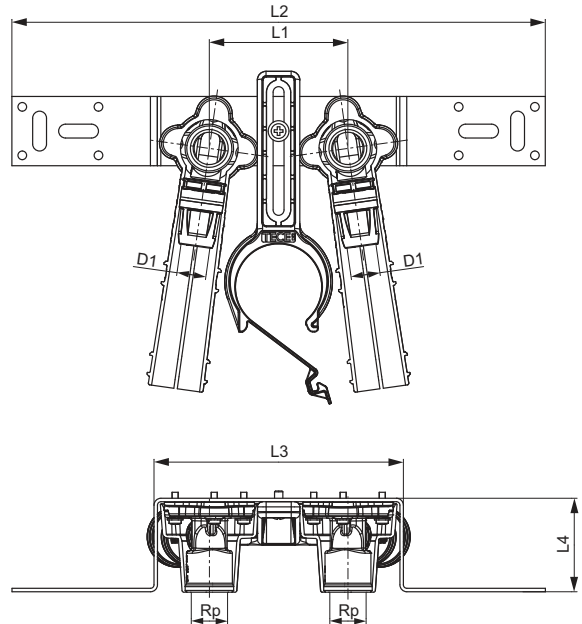
TECE screw

Dimension	Item No.	L1
3,5 x 16 mm	720524	16



TECElogo-Push mounting unit, red brass/silicon bronze

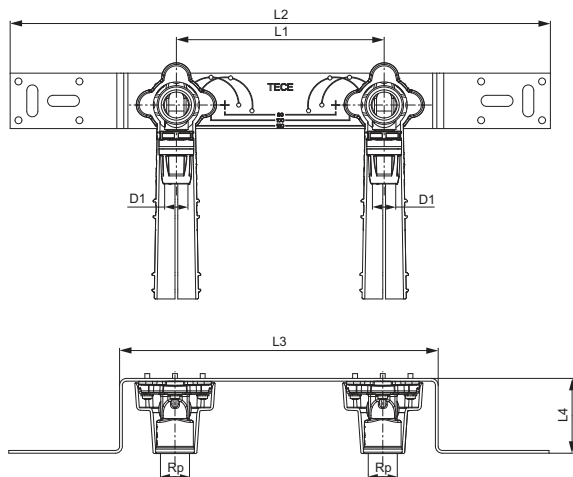
Dimension	Item No.	L1	L2	L3	L4
16 x Rp 1/2"	8723101	80	308	144	54



TECElogo – Dimensional drawings

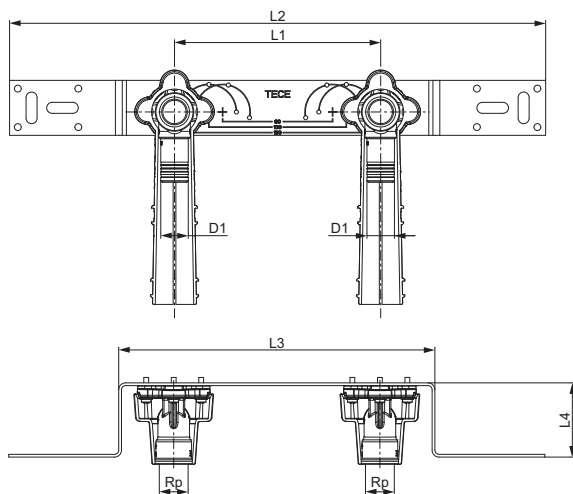
TECElogo-Push mounting unit, red brass/silicon bronze

Dimension	Item No.	L1	L2	L3	L4
16 x Rp 1/2"	8723100	150	390	230	54



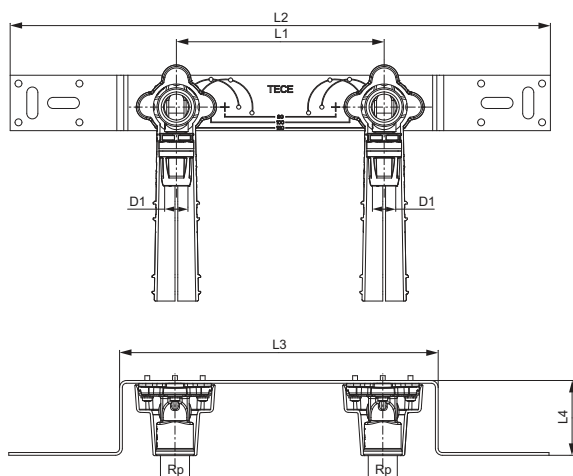
TECElogo-Push universal mounting, red brass/silicon bronze

Dimension	Item No.	L1	L2	L3	L4
20 x 1/2"	8723102	150	390	230	54



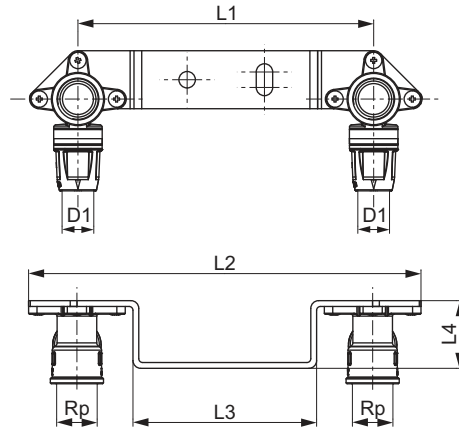
TECElogo-Push mounting unit standard brass

Dimension	Item No.	L1	L2	L3	L4
16 x Rp 1/2"	8620100	150	390	230	54



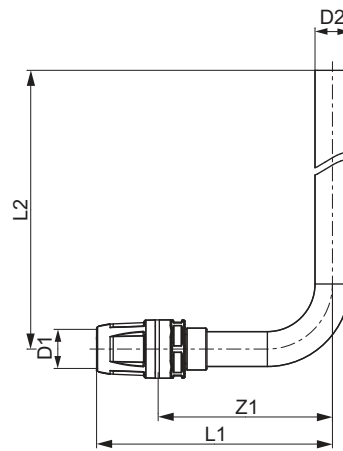
TECElogo-Push mounting unit standard brass

Dimension	Item No.	L1	L2	L3	L4
16 x 1/2"	8620103	153	203	95	35



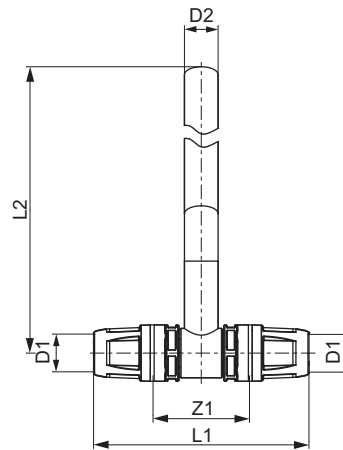
TECElogo-Push radiator mounting elbow

Dimension	Item No.	Z1	L1	L2
16 x 15 mm Cu	8740401	75	102	289
20 x 15 mm Cu	8740402	75	107	289



TECElogo-Push radiator mounting tee

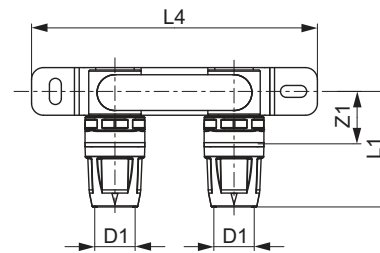
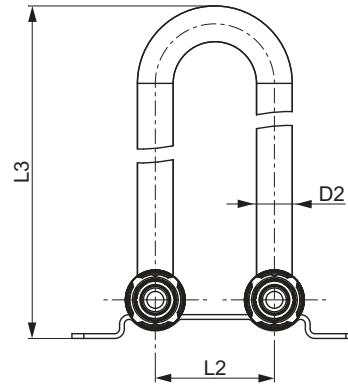
Dimension	Item No.	Z1	L1	L2
16 x 15 mm Cu	8740403	43	96	270
20 x 15 mm Cu	8740404	43	106	270



TECElogo – Dimensional drawings

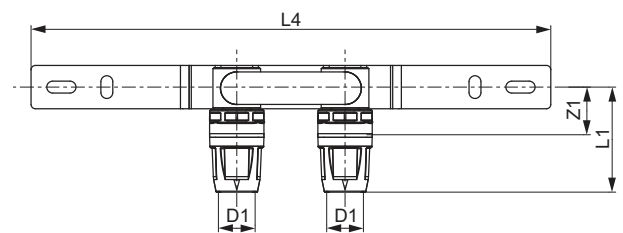
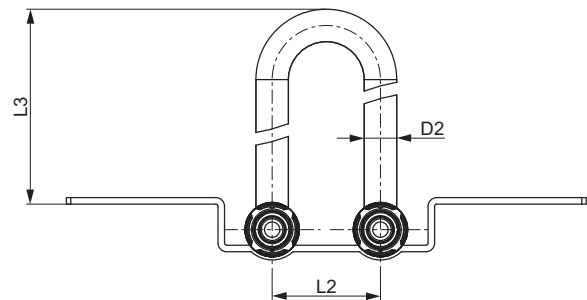
TECElogo-Push radiator mounting set

Dimension	Item No.	Z1	L1	L2	L3	L4
16 x 15 mm Cu	8740405	22	49	50	334	120



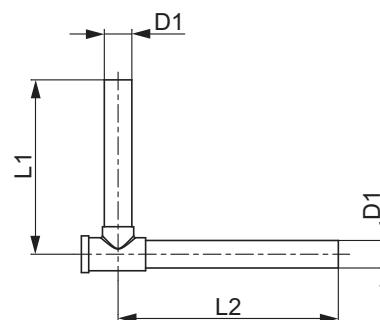
TECElogo-Push radiator mounting set

Dimension	Item No.	Z1	L1	L2	L3	L4
16 x 15 mm Cu	8740406	22	49	50	225	240



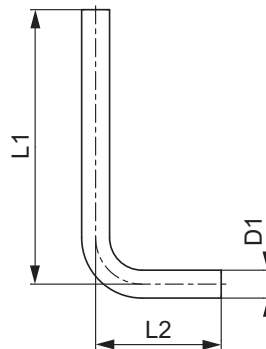
TECE skirting board radiator elbow shut-offs

Dimension	Item No.	L1	L2
15 mm Cu	730010	95	120



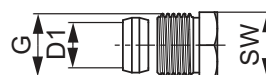
TECE skirting board radiator elbows

Dimension	Item No.	L1	L2
15 mm Cu	730025	155	75



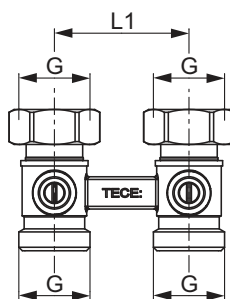
TECE male pinch screw connection 1/2"

Dimension	Item No.	G	SW
15 mm x R 1/2"	717501	1/2"	22



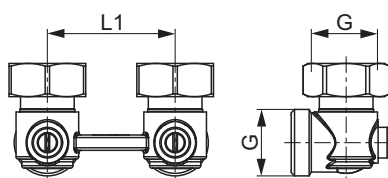
TECE two-pipe valve block for HC, through type

Dimension	Item No.	L1	G
3/4" EC x 3/4" EC	8740435	50	3/4"



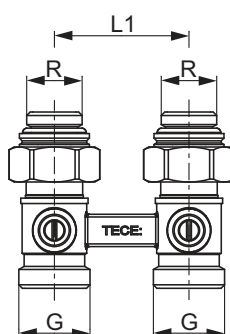
TECE two-pipe valve block for HC, corner type

Dimension	Item No.	L1	G
3/4" EC x 3/4" EC	8740436	50	3/4"



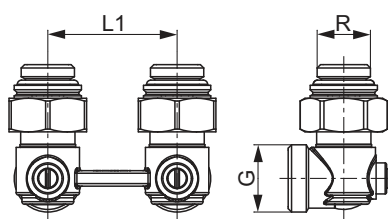
TECE two-pipe valve block for HC 1/2" MT, through type

Dimension	Item No.	L1	G
3/4" EC x R 1/2"	8740437	50	3/4"



TECE two-pipe valve block for HC 1/2" MT, corner type

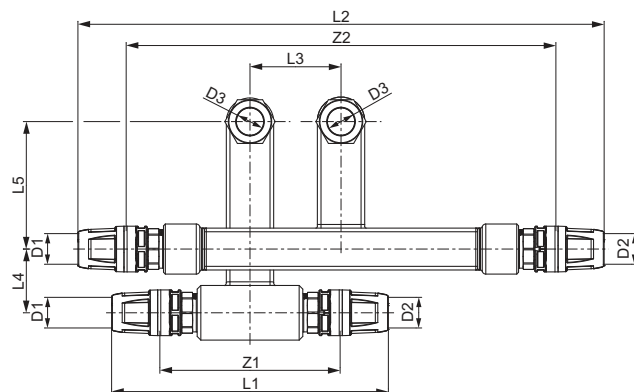
Dimension	Item No.	L1	G
3/4" EC x R 1/2"	8740438	50	3/4"



TECElogo – Dimensional drawings

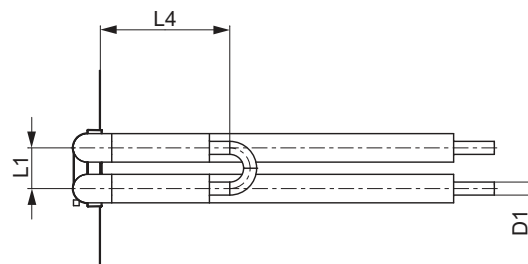
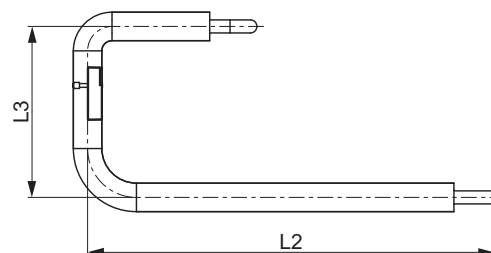
TECElogo-Push skirting board radiator connection set

Dimension	Item No.	Z1	Z2	L1	L2	L3	L4	L5
16 x 16 x 15 mm Cu	8740421	99	236	152	289	50	35	70
20 x 20 x 15 mm Cu	8740422	100	237	163	300	50	35	70
16 x plug x 15 mm Cu	8740423	-	-	113	250	50	35	70
Plug x 16 x 15 mm Cu	8740424	-	-	113	250	50	35	70



TECElogo radiator mounting unit

Dimension	Item No.	L1	L2	L3	L4
16	8740550	50	500	210	159



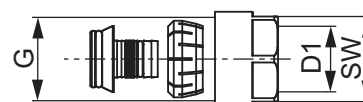
TECElogo-Push adapter screw connection, standard brass

Dimension	Item No.	SW
20 x 18 mm	8611205	27
16 x 14 mm	8611210	27
20 x 16 mm	8611211	27
16 x 12 mm	8611212	27



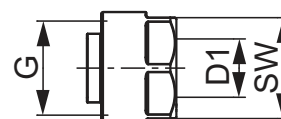
TECElogo Eurocone clamped joint

Dimension	Item No.	G	SW
16 x 3/4" EC	8740216	3/4"	27
20 x 3/4" EC	8740220	3/4"	27



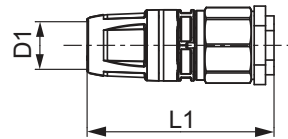
TECE Eurocone clamped joint for copper pipes

Dimension	Item No.	G	SW
3/4" for copper pipe 15 x 1	8740439	3/4"	27



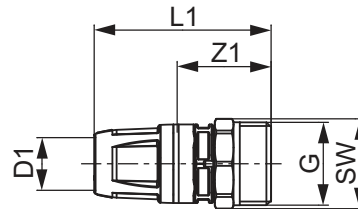
TECElogo-Push pressure-testing plug with ventilation, standard brass

Dimension	Item No.	L1
16	8640001	66



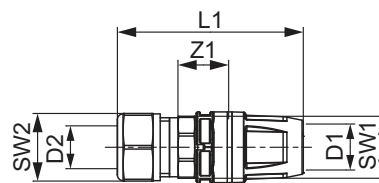
TECElogo-Push male connector Eurocone, standard brass

Dimension	Item No.	Z1	L1	G	SW
16 x 3/4"	8610108	30	57	3/4"	27
20 x 3/4"	8610109	30	62	3/4"	27



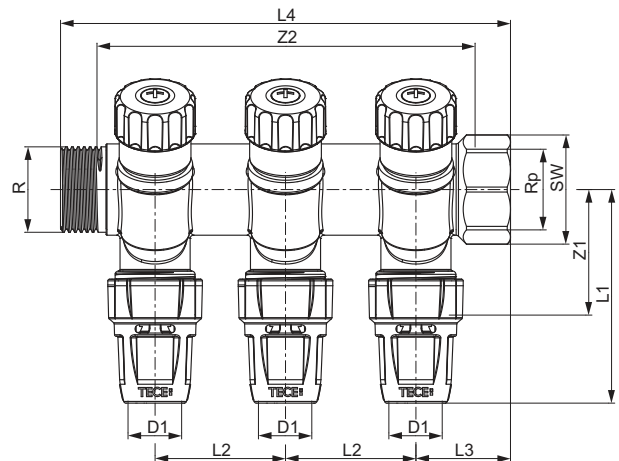
TECElogo-Push adapter screw connection with metallic sealing elements

Dimension	Item No.	Z1	L1	SW1	SW2
16 x 15 mm Cu	8711206	18	66	24	22
20 x 22 mm Cu	8711207	17	65	32	32



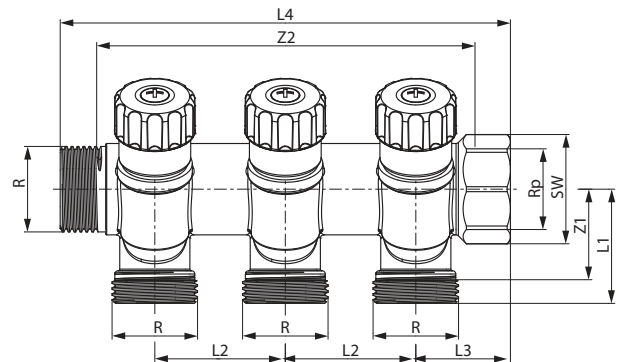
TECElogo-Push manifold, shut-off, standard brass

Dimension	Item No.	Z1	Z2	L1	L2	L3	L4	SW
3/4" x 16 Two-way	8730008	38	73	67	40	29	98	32
3/4" x 16 Three-way	8730009	38	113	67	40	29	138	32



TECE universal manifold, with shut-off, standard brass

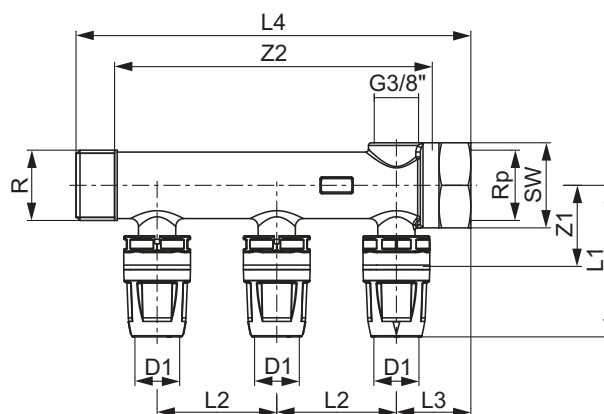
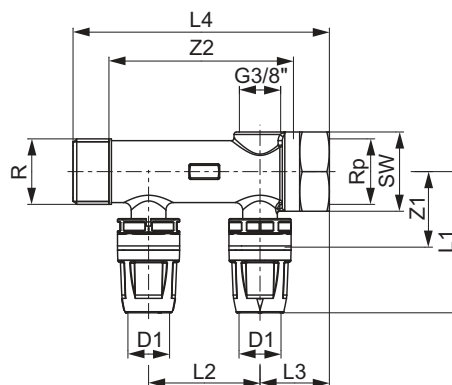
Dimension	Item No.	Z1	Z2	L1	L2	L3	L4	SW
3/4" x 3/4" EC Two-way	8730006	28	73	35	40	29	98	32
3/4" x 3/4" EC Three-way	8730007	28	113	35	40	29	138	32
1" x 3/4" EC Two-way	8730010	28	71	35	40	28	96	38
1" x 3/4" EC Three-way	8730011	28	111	35	40	28	136	38
1" x 3/4" EC four-way	8730040	28	151	35	40	28	176	38



TECElogo – Dimensional drawings

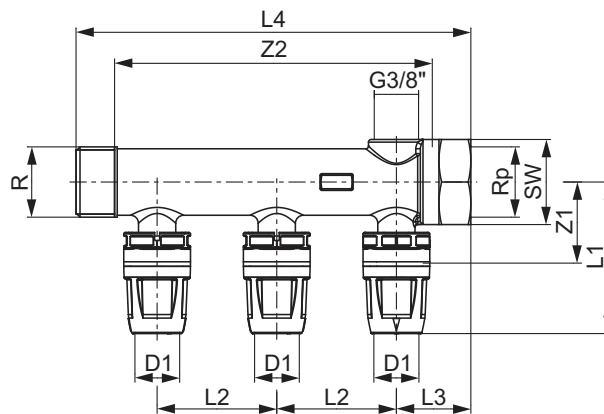
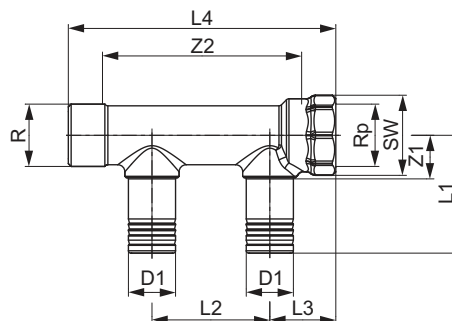
TECElogo-Push manifold, standard brass

Dimension	Item No.	Z1	Z2	L1	L2	L3	L4	SW
R 3/4" x Rp 3/4" x 16 Two-way	8630002	31	75	57	45	28	104	32
R 3/4" x R 3/4" x 16 Three-way	8630003	31	120	57	45	28	149	32



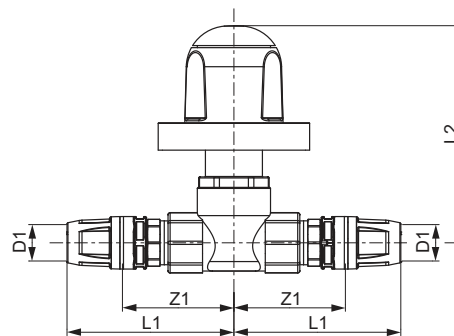
TECElogo-Push universal manifold, red brass/silicon bronze

Dimension	Item No.	Z1	Z2	L1	L2	L3	L4	SW
R 3/4" x Rp 3/4" x 20 Two-way	8733002	19	85	50	50	28	114	32
R 3/4" x Rp 3/4" x 20 Three-way	8733003	19	135	50	50	28	164	32



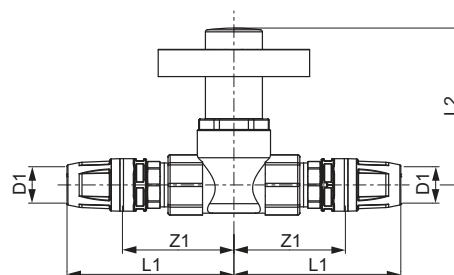
TECElogo flush-mounted ball valve with handwheel

Dimension	Item No.	Z1	L1	L2
16	8780016	53	80	75
20	8780020	52	84	75



TECElogo flush-mounted ball valve with dummy cap

Dimension	Item No.	Z1	L1	L2
16	8780116	53	80	75
20	8780120	52	84	75





TECElogo
TECE

12505 m Tap water / Heating 60/80mm PE-Xc/AlPE • DN-UM 1635

1250 m Tap water / Heating 60/80mm PE-Xc/AlPE • DN-UM 1635 • EN ISO 22833 • DWV 04422760031 • Trac • 92°C • d(1250)30



Pipe Systems

TECEfloor FLOOR HEATING SYSTEMS

PRODUCT RANGE 2024

	Page
Pipes	158
Adapters	160
Mounting systems	163
Manifolds	173
Control	183
Accessories	194
Spare parts	196

Delivery unit 1 (DU 1) cannot be changed for technical reasons.

TECEfloor – Pipes

TECEfloor SLQ PE-RT 5S underfloor heating pipe

Five-layer underfloor heating pipe heating pipe to EN ISO 21003 made of high-density polyethylene with higher temperature resistance (PE-RT type 2). Oxygen-tight with EVOH coating to DIN 4726; application area T_{max} 90 °C, 6 bar. Suitable for particularly rough installation conditions thanks to the 5-layer technology; SLQ quality-monitored and compatibility tested. DIN CERTCO 3V423 MVR (P)

Classification in accordance with EN ISO 22391-2:
Application class 4 and 5: 6 bar, T_{max} 90 °C



Dimension	Item No.	DU 1	DU 2	DU 3
12 x 1,5 mm	77111220	200 m	2000 m	4000 m
16 x 2 mm	77111612	120 m	1200 m	2400 m
16 x 2 mm	77111630	300 m	1200 m	2400 m
16 x 2 mm	77111660	600 m	1200 m	2400 m
17 x 2 mm	77111730	300 m	1200 m	2400 m
17 x 2 mm	77111756	560 m	1120 m	2240 m
20 x 2,25 mm	77112030	300 m	900 m	1800 m
20 x 2,25 mm	77112060	600 m	2400 m	-
25 x 2,5 mm	77112540	400 m	2000 m	-

TECEfloor Soft-PERT 5S underfloor heating pipe

NEW

Highly flexible, five-layer underfloor heating pipe in accordance with EN ISO 21003 made of polyethylene with increased temperature resistance. Oxygen-tight with EVOH coating to DIN 4726; application area T_{max} 70 °C, 6 bar. Suitable for particularly rough installation conditions thanks to the 5-layer technology; SLQ quality-monitored and compatibility tested.

Classification in accordance with EN ISO 21003:
Application class 4: 6 bar, T_{max} 70 °C



Dimension	Item No.		DU 1	DU 2	DU 3
16 x 2,0 mm	77111632*	NEW	300 m	1200 m	2400 m
16 x 2,0 mm	77111662*	NEW	600 m	1200 m	2400 m

TECEfloor SLQ PE-RT/Al/PE-RT underfloor heating pipe

Aluminium-plastic composite pipe for underfloor heating, manufactured in accordance with DIN 16836. Specially developed for radiant heating systems with soft aluminium casing. Particularly flexible to lay as a consequence, but nevertheless sufficiently dimensionally stable. Ideal for dry-wall construction, dimpled sheets, lattice mats, clip rails and wall heating. 100 % impervious to oxygen diffusion thanks to butt-welded aluminium casing. DIN CERTCO 3V377 MVR (M)

Classification in accordance with EN ISO 21003:
Application class 4: 6 bar, T_{max} 70 °C



Dimension	Item No.	DU 1	DU 2	DU 3
16 x 2 mm	77151612	120 m	1200 m	2400 m
16 x 2 mm	77151630	300 m	1500 m	3000 m
16 x 2 mm	77151660	600 m	1200 m	2400 m

TECEfloor SLQ PE-Xa 5S underfloor heating pipe

Five-layer underfloor heating pipe to DIN 16892/16893 made of cross-linked, high-density polyethylene PE-Xa.

SLQ quality-monitored and tested for compatibility, oxygen tight to DIN 4726. DIN CERTCO 3V449 PE-Xa

Classification in accordance with EN ISO 15875-2:

Application class 4 and 5: 6 bar, T_{max} 90 °C



Dimension	Item No.	DU 1	DU 2	DU 3
16 x 2 mm	77171630	300 m	1200 m	2400 m
16 x 2 mm	77171660	600 m	1200 m	2400 m
17 x 2 mm	77171730	300 m	1200 m	2400 m
17 x 2 mm	77171760	600 m	1200 m	2400 m
20 x 2 mm	77172060	600 m	1200 m	2400 m

TECEfloor SLQ PE-Xc underfloor heating pipe

Underfloor heating pipe to DIN 16892/16893 made of electron beam cross-linked, high-density polyethylene. The special physical cross-linking of the molecular chains reliably prevents further crack growth at notches and grooves.

SLQ quality-monitored and compatibility tested, oxygen-tight in accordance with DIN 4726.

DIN CERTCO 3V355 PE-Xc

Classification in accordance with EN ISO 15875-2:

Application class 4 and 5: 6 bar, T_{max} 90 °C



Dimension	Item No.	DU 1	DU 2	DU 3
16 x 2 mm	77131612	120 m	1200 m	2400 m
16 x 2 mm	77131630	300 m	1500 m	3000 m
16 x 2 mm	77131660	600 m	1200 m	2400 m
17 x 2 mm	77131712	120 m	840 m	1680 m
17 x 2 mm	77131730	300 m	1200 m	2400 m
17 x 2 mm	77131756	560 m	1120 m	2240 m
20 x 2 mm	77132030	300 m	900 m	1800 m
20 x 2 mm	77132061	600 m	2400 m	-

TECEfloor – Adapters

TECEfloor SLQ Eurocone clamping ring connection

Clamping ring connection with defined limit stop to prevent overtightening, with plastic clamping ring to protect the pipe surface from scratches and score marks, Eurocone compatible with SLQ heating circuit manifold, O-ring and clamping ring keyed to SLQ radiant heating pipes, with nickel-plated union nut Rp 3/4" and Eurocone, marked with system ID and dimensions.

SLQ quality-monitored, tested for compatibility and component of the DIN CERTCO certified TECEfloor pipe systems:
3V423 MVR (P)/3V355 PE-Xc/3V377 MVR (M)

Suitable for all TECEfloor underfloor heating pipes.



Suitable for:
PE-RT 5S
PE-RT/Al/PE-RT
PE-Xa 5S
PE-Xc

Dimension	Item No.	DU 1	DU 2
12 x 1,5	77211200	10 pc.	200 pc.
16 x 2	77211600	10 pc.	200 pc.
17 x 2	77211700	10 pc.	200 pc.
20 x 2,0/2,25	77212000	10 pc.	200 pc.

TECEfloor Eurocone Y-piece 3/4"

Eurocone 3/4" Y-piece to connect two equal heating circuits with a maximum flow rate of 2 l/min. to a heating circuit manifold outlet.



Item No.	DU 1	DU 2
77220035	1 pc.	50 pc.

TECEfloor SLQ Eurocone universal coupling

Eurocone universal coupling, double connector, nickel-plated, compatible with all TECEfloor Eurocone clamping ring connections. SLQ quality-monitored and tested for compatibility.



Dimension	Item No.	DU 1	DU 2
3/4" EC x 3/4" EC	77220034	10 pc.	100 pc.

TECE pipe connector 1/2" x 3/4" MT

Nickel-plated pipe connector 1/2" x 3/4" Eurocone to connect radiators.



Dimension	Item No.	DU 1	DU 2
1/2" x 3/4" EC	8740440	10 pc.	100 pc.

TECEfloor SLQ coupling with pressure sleeves for all-plastic pipes

Pressure sleeve coupling for all TECEfloor all-plastic pipes, for permanent and O-ring-free connection, not suitable for Al composite pipes (Al/PE-RT), low pressure loss thanks to expansion technology.

SLQ quality-controlled, compatibility tested and part of the DIN CERTCO-certified TECEfloor pipe systems.

Dimension	Expanding Pressing		Item No.	DU 1	DU 2	DU 3
	heads	forks				
16 x 16	16	16	77220016	1 pc.	10 pc.	100 pc.
17 x 17	17	16	77220017	1 pc.	10 pc.	100 pc.
20 x 20	20 L	20	77220020	1 pc.	10 pc.	100 pc.
25 x 25	25 L	25	77220025	1 pc.	10 pc.	100 pc.

For dim. 16 use TECEflex expansion head, for dim. 17, 20 and 25 use SLQ expansion head (77921700, 77922000 and 77922500)!



Suitable for:
PE-RT 5S
PE-Xa 5S
PE-Xc

TECEfloor pressure sleeve coupling for SLQ Al/PE-RT radiant heating pipe

PPSU pressure sleeve coupling specially designed for SLQ Al/PE-RT underfloor heating pipes, for permanent and O-ring-free connection, low pressure loss thanks to expansion technology.

SLQ quality-monitored and tested for compatibility.

Use the TECEflex push sleeve tool dimension 16 to process the set consisting of a PPSU coupling and specially adapted pressure sleeve.

Dimension	Item No.	DU 1	DU 2	DU 3
16 x 16	77220015	1 pc.	10 pc.	100 pc.



Suitable for:
PE-RT/Al/PE-RT

TECEfloor Eurocone push-fitting type TECEllogo-Push

Eurocone push-fitting for fast, easy and twist-free connection of TECEfloor system pipes dimension 16, type SLQ PE-RT 5S, SLQ PE-Xa 5S and SLQ Al/PE-RT, to a heating circuit manifold with 3/4" Eurocone connection. Push-fitting based on innovative TECEllogo-Push technology. Simplifies assembly and reliably prevents torsion stress in the connection area. Secure and resistant to temperature changes, can subsequently be disconnected using the TECEfloor/TECEllogo system tool.

DVGW-certified and SLQ quality-monitored, compatibility tested and component of the DIN CERTCO certified TECEfloor pipe systems 3V423 MVR (P) and 3V377 MVR (M) and 3V449 PE-Xa.

Only use with the corresponding system pipes and system tool!

Dimension	Item No.	DU 1	DU 2
16 x 3/4"	77230016	2 pc.	100 pc.



Suitable for:
PE-RT 5S
PE-RT/Al/PE-RT
PE-Xa 5S

TECEfloor – Adapters

TECEfloor push-fit coupling type TECElogo-Push

Push fit coupling for fast, easy and twist-free connection of TECEfloor system pipes dimension 16, type SLQ PE-RT 5S, SLQ PE-Xa 5S and SLQ Al/PE-RT. Push-fitting based on innovative TECElogo-Push technology. With integrated grip function and resistant to temperature changes, SLQ quality-monitored and compatibility tested and part of the DIN CERTCO certified TECEfloor pipe systems 3V423 MVR (P) and 3V377 MVR (M) and 3V449 PE-Xa.

Only use with the corresponding system pipes and system tool!



Suitable for:
PE-RT 5S
PE-RT/Al/PE-RT
PE-Xa 5S

Dimension	Item No.		DU 1	DU 2
16 x 16	77230017	SALE	1 pc.	80 pc.

TECEfloor roll insulation with impact sound insulation 30-2 DES WLG 040

Insulation made of EPS DES sg BS50-SD20-CP2, WLG 040, $R_{\lambda} = 0.75 \text{ m}^2\text{K/W}$, coated with a tear-resistant strip woven film, moveable load max. 5 kN/m^2 , impact sound improvement 29 dB (to DIN 4109-34: 2016-07 with 60 mm total screed thickness or 45 mm pipe overlap), HBCD-free.

Dimension	Item No.	DU 1	DU 2
Width 1 m / length 10 m	77531500	10 m ²	60 m ²



TECEfloor roll insulation with impact sound insulation 30-3 DES WLG 045

Insulation made of EPS DES sm BS50-SD15-CP3, WLG 045, $R_{\lambda} = 0.67 \text{ m}^2\text{K/W}$, class E/B2, coated with a tear-resistant strip woven film, moveable load max. 4 kN/m^2 , impact sound improvement 31 dB (to DIN 4109-34: 2016-07 with 60 mm total screed thickness or 45 mm pipe overlap), HBCD-free.

Dimension	Item No.	DU 1	DU 2
Width 1 m / length 10 m	77531520	10 m ²	60 m ²



TECEfloor tacker panel Flat2

NEW

2 mm thick PP hollow chamber sheet for universal laying on insulation on-site such as suitable mineral wool, EPS or PUR insulation. Suitable for the secure fixture of TECEfloor underfloor heating pipes using TECEfloor tacking pins T8, T6 or 10plus.

Rolls L x W: 30 m x 1.0 m (30 m²)

Item No.		DU 1	DU 2
77531541	NEW	30 m ²	180 m ²



TECEfloor adhesive tape

Adhesive tape to create a waterproof screed form by sticking on the stapled insulation joints.

Dimension	Item No.	DU 1	DU 2
Width 50 mm / length 66 m	77600010	1 pc.	36 pc.



TECEfloor tape unwinder

Tape unwinder for efficient use of adhesive tape.

Item No.		DU 1
77600020		1 pc.



TECEfloor – Mounting systems

TECEfloor tacking tool T8 extra

Tacking tool specially designed for extra-wide tacking pins T8 extra (8 mm). The precision-made tools are distinguished by their excellent reliability. Incl. stand, weight and inspection opening.

Not suitable for conventional 6 mm tacking pins.



Tacking pins	Item No.	DU 1
8 x 40 mm	77610001	1 pc.

TECEfloor tacking pins T8 extra, dim. 14-20

Extra-wide tacking pins with 8 mm wide clip for better fixing and guiding of heating pipes, particularly in floor areas. Tacking pin with special anchor, very good foil penetration, low damage to strip woven film and improved hold with 45° angle of pull (curves).

Optimised for EPS insulation, not suitable for PUR insulation.

Cannot be used with standard tacking tools!



Tacking pins	Item No.	DU 1	DU 2	DU 3
8 x 40 mm	77610010	200 pc.	4000 pc.	80000 pc.

TECEfloor standard tacking tool 6 mm

Standard tacking tool for conventional 6 mm tacking pins of length 40 mm or 55 mm. These precision-made tools are distinguished by their excellent reliability. Incl. stand, weight and inspection opening.



Tacking pins	Item No.	DU 1
6 x 40/55 mm	77610024	1 pc.

TECEfloor tacking pins standard 6 mm, dim. 14-20

Standard tacking pins, heat-applied, can be used with many conventional tacking tools.



40 mm length

Tacking pins	Item No.	DU 1	DU 2	DU 3
6 x 40 mm	77610016	300 pc.	6000 pc.	144000 pc.
6 x 55 mm	77610023	300 pc.	78000 pc.	-



55 mm length

TECEfloor tacker plate 10plus, EPS DEO WLG 035

NEW

Thermal insulation board made of expanded polystyrene rigid foam EPS DEO dh BS200-CS(10)150 according to EN 13163, laminated with a tear-resistant ribbon fabric foil, with 5 cm grid imprint, as screed moisture protection according to DIN 18560 and for secure fixing of the heating pipes using TECEfloor tacker pins 10plus. Panel thickness: 10 mm, thermal conductivity: 0.034 W/mK (WLS 040), thermal resistance: 0.29 m²K/W, compression strength at 10% compression 150 kPa, fire behaviour: E (B2), panel dimension: 2.0 x 1.0 m (2 m²)



Item No.		DU 1	DU 2	DU 3
77531533	NEW	26 m ²	52 m ²	208 m ²

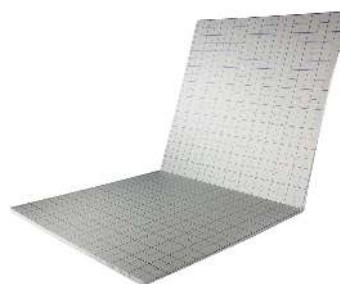
TECEfloor tacking sheet 10plus

10 mm thick EPS DEO dh BS200-CS(10)150 folding tacking sheet for universal laying on customer's insulation such as suitable mineral wool, EPS or PUR insulation or in renovations on the existing screed, HBCD-free.

- Made of expanding polystyrene EPS, nominal value of the der thermal conductivity 0.034 W/mK (EN 13163; EN 12667), R_λ = 0,29 m²K/W
- Compression strength at 10 % compression 150 kPa CS(10/Y) 150 (EN 826; EN 13163), EPS Euroclass E (EN 13501-1)
- Coated with a highly tear-resistant, finely woven, fibre-reinforced multi-layer composite woven film made of polyethylene (EN 1264-4), highly adhesive, for very high holding forces for the TECEfloor 10plus tacking pins
- One-sided, self-adhesive 30 mm film overlap, grid printing 10 cm

EPS strength: 10 mm

Dimensions: 1.60 x 1.20 m (1.92 m²), delivered folded: 0.80 x 1.20 m



Version	Item No.		DU 1	DU 2	DU 3
Standard	77531530	SALE	23.04 m ²	69.12 m ²	207.36 m ²

TECEfloor tacking tool 10plus

Tacking tool 10plus, suitable only for use with type 10plus tacking pins. These precision-made tools are distinguished by their excellent reliability.

Tacking pins	Item No.	DU 1
10plus	77610026	1 pc.



TECEfloor tacking pins 10plus

Tacking pins 10plus, for fixing pipes on the TECEfloor folding tacking sheets 10plus. With 4 short holding anchors per pin and a wide supporting surface to achieve very high holding forces and pipe fixing in accordance with standards, also suitable for conventional tacking sheets.

Only for use with the TECEfloor tacking tool type 10plus.

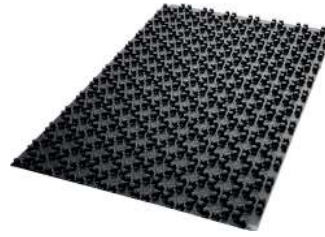


Dimension	Item No.	DU 1	DU 2
10-12 mm	77610027	450 pc.	9000 pc.
14-17 mm	77610025	450 pc.	9000 pc.

TECEfloor – Mounting systems

TECEfloor dimpled panel 30-2/14-17 mm

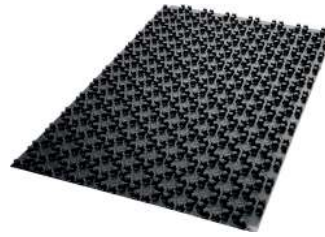
Dimpled panel 30-2 for pipe dimensions 14 to 17 mm, spacing VA 6 cm, diagonal 84 mm, EPS DEO sg BS100-SD20-CP2 WLG 040 $R_{\lambda} = 0.75 \text{ m}^2\text{K/W}$, movable load max. 5 kN/m^2 , impact sound improvement 29 dB (to DIN 4109-34: 2016-07 with 60 mm total screed thickness or 45 mm pipe overlap), HBCD-free.



Dimension	Item No.	DU 1	DU 2
840 mm x 1440 mm	77510010	9.6 m ²	57.6 m ²

TECEfloor dimpled panel 11/14-17 mm

Dimpled panel with 11 mm insulation, laying distance VA 6 cm, diagonally 84 mm, EPS DEO ds BS250-CS(10)200, WLG 035 $R_{\lambda} = 0.31 \text{ m}^2\text{K/W}$, continuous compressive stress at 2% compression max. 60 kPa (60 kN/m^2), for pipe dimensions 14-17 mm, HBCD-free.



Dimension	Item No.	DU 1	DU 2
840 mm x 1440 mm	77510020	9.6 m ²	115.2 m ²

TECEfloor compensating element NP 30/11 for dimpled panels 30-2 and 11

Compensating element NP 30/11 for TECEfloor dimpled panels 30-2 and 11, 900 mm wide, to compensate for door openings or movement joints.



Dimension	Item No.	DU 1
Width 900 mm	77510021	10 pc.

TECEfloor dimpled sheet without insulation /14-17 mm

Dimpled sheet without insulation, to be laid on customer's insulation. For pipe dimensions 14-17 mm, spacing VA 6 cm, diagonal 84 mm.



Dimension	Item No.	DU 1	DU 2
840 mm x 1440 mm	77510030	16.8 m ²	201.6 m ²

TECEfloor compensating strips for dimpled sheets

Compensating element for TECEfloor dimpled sheets, 900 mm wide, to compensate for door openings or movement joints. Not suitable for dimpled panels 30-2 and 11.



Dimension	Item No.	DU 1
Width 900 mm	77510031	10 pc.

TECEfloor universal panel UP 16/12

Universal panel for use in old and new buildings in dry-wall or brick-wall construction systems. Extra-flat EPS element (16 mm) for floor, wall or ceiling with aluminium heat conduction plates glued over whole surface, with predetermined breaking points for adjustment of width and length without tools. For taking TECEfloor underfloor heating pipe PE-RT 5S 12 x 1.5 mm, HBCD-free.

Base plate made of EPS 035 DEO, >240 kPa

Thermal conductivity: 0.035 W/mK

Thermal resistance: 0.40 m²K/W

Heat conducting plates made of aluminium 0.25 mm, with Omega pipe layout

Compression strength: >240 kPa at 10 % compression in accordance with EN 826

Building material class B1

Dimensions (L x W x H): 1200 x 750 x 16 mm

Spacing: 150 mm



Item No.	DU 1	DU 2
77520001	9 m ²	117 m ²

TECEfloor combination element UP 16/12

Combination element consisting of three head elements with reversal elbows and compensation element for filling remaining areas, HBCD-free.

Base plate made of EPS 035 DEO, >240 kPa

Dimensions (L x W x H): 1200 x 750 x 16 mm



Item No.	DU 1	DU 2
77520002	4.5 m ²	117 m ²

TECEfloor edge board UP 16/12

Edge board made of wood fibre material for stronger and accurate edging, to be laid along the edge insulation strips. 5 mm wood fibre layer on underside to reduce structure-borne noise and compensate for minor surface unevenness. Mandatory for all installation variants with insulation mat and directly laid. Recommended for installations with dry screed.

Dimensions (L x W x H): 1000 x 45 x 16 mm



Item No.	DU 1	DU 2
77520003	10 pc.	630 pc.

TECEfloor – Mounting systems

TECEfloor decoupling mat

Load distribution and insulation mat, in conjunction with TECEfloor universal panel UP 16/12, for tiles and laminate. Polyester fibre board made of aluminium-clad polyester fleece and thermoplastic binder; consequently, high tear resistance and compression strength, movable loads up to 2 kN/m², point loads up to 2 kN.

Thermal conductivity: 0.2 W/mK

Weight: approx. 5.2 kg/m²

Tile formats

- min. size 10 x 10 cm or 100 cm²
- max. size 80 x 80 cm
- min. thickness (natural stone) 10 mm

Joint size

- min. 3 mm up to tile size 30 x 30 cm
- min. 4 mm up to tile size 40 x 40 cm
- min. 5 mm up to tile size 80 x 80 cm

Field size

- up to max. 60 m², length/width ratio max. 2:1

Dimensions (L x W x H): 1150 x 600 x 5 (+0.5) mm



Item No.	DU 1	DU 2
77520018	6.9 m ²	138 m ²

TECEfloor joint adhesive strip

Adhesive tape to glue insulation mat edges when laying tiles.

Dimension	Item No.	DU 1
120 m	77520019	120 m



TECEfloor Ultrabond Eco Fix UP

Dispersion fixing, for gluing the universal panels to the subsurface (only when laid directly) and for gluing the insulation mat to the universal panel, 10 kg container.

Dimension	Item No.	DU 1
10 kg	77520020	10 kg



TECEfloor dry-wall panel TP 30/16

Pipe base plate for installation of underfloor heating according to construction type B (laying pipe within the insulation layer under screed). Allows use with standard dry screed elements (Knauf, Fermacell, Rigips, etc.) as well as wet screed (cement screed, flow screed). Made of expanded polystyrene hard foam (EPS), with pipe layout channels for incorporating TECEfloor heat conduction profiles and TECEfloor underfloor heating pipes 16 x 2 mm. Can be laid in single as well double meander, HBCD-free.

Material: expanded polystyrene (EPS 035 DEO), building material class E
 Thermal conductivity: 0.035 W/mK, R = 0,77 m²K/W
 Compression strength 150 kPa at 10 % compression in accordance with EN 826
 Spacing: VA 150, VA 300 (single and double meander)
 Dimensions (L x W x H): 1150 x 750 x 30 mm

Note:

We recommend using dry-wall construction board TP 30/16 when using the TECEfloor aluminium composite pipe SLQ PE-RT/Al/PE-RT. Alternatively, you can also use the TECEfloor five-layer all-plastic pipes. Triple-layer all-plastic pipes are not recommended due to possible noise emission.



Item No.	DU 1	DU 2
77520006	8.625 m ²	60.375 m ²

TECEfloor heat-conducting profile TP 30/16

Heat conduction profile for mounting on the TECEfloor dry-wall panel TP 30/16. For uniform heat distribution by heating pipe over the dry screed plate. For taking TECEfloor underfloor heating pipes 16 x 2 mm. With predetermined breaking points for separation without tools.

Dimensions (L x W x H): 1000 x 132 x 0.4 mm/0.45 mm
 Material requirements: approx. 6 pcs./m² (VA 15)



Version	Item No.	DU 1	DU 2
galvanised steel sheet, 0.4 mm	77520007	50 pc.	500 pc.
Aluminium, 0.45 mm	77520008	50 pc.	500 pc.

TECEfloor hot cutter UP

Hot cutter with U-shaped cutting blade (dimension 12 and dimension 16) for cutting out inlet guides in EPS compensating elements, connection voltage 230 V.

Item No.	DU 1
77520021	1 pc.



TECEfloor cutting blade

U-shaped cutting blade for TECEfloor heat cutter, for cutting the inlet guides in the EPS combination element UP 16/12.



Dimension	Item No.	DU 1
12	77520026	1 pc.
16	77520027	NEW 1 pc.

TECEfloor – Mounting systems

TECEfloor board binders

Plastic-coated board binders to fix pipes on and join backerboards together.
Length: 120 mm.



Item No.	DU 1
77611020	1000 pc.

TECEfloor tacking tool for pipe clips 17 mm

Tacking tool to quickly and precisely attach collated TECEfloor pipe clips 17 mm to a 3 mm TECEfloor backerboard.



Item No.	DU 1	DU 2
77611001	1 pc.	10 pc.

TECEfloor pipe clips 17 mm, magazined

Pipe clips for mounting underfloor heating pipes, dim. 17 on 3 mm backerboards. Magazined for use in tacking tools.



Dimension	Item No.	DU 1
17 mm	77611000	1000 pc.

TECEfloor retaining pin

Retaining pins for fixing clip rails or mounting underfloor heating pipes.

Item No.	DU 1	DU 2
77612010	200 pc.	800 pc.



TECEfloor fixing hooks for nub sheet

Fixing hooks for fixing TECEfloor nub sheet on site-installed insulation including insertion aid with pre-insertion awl.

Item No.	DU 1	DU 2
77612020	100 pc.	2000 pc.



TECEfloor clip rail

Clip rail, modular expandable by means of push-fit connector system. Length of individual segments 100 cm, double-sided adhesive tape on underside.

Dimension	Item No.	DU 1	DU 2	DU 3
14-17 mm	77570010	10 m	100 m	1500 m
16-20 mm	77570015	10 m	100 m	1500 m

Delivery length per unit = 100 cm



TECEfloor clamping rail

Clamp rail for attaching and fixing TECEfloor underfloor heating pipes. Length: 2 m

Dimension	Item No.	DU 1	DU 2
12 mm	77570009	32 m	896 m
25 mm	77570025	32 m	800 m



TECEfloor edge insulation strip

Edge insulation strips made of PE foam, self-adhesive with foil for sound insulation and to compensate for thermal expansion of the screed layer in accordance with DIN 18560. Suitable for cement and flow screed.

Dimension	Item No.	DU 1	DU 2
150/10-40 m	77620012	160 m	960 m



TECEfloor pipe joint protection

Polyethylene insulating tube to protect floor heating pipes in the expansion joint area.

Dimension	Item No.	DU 1	DU 2
17-20 mm	77630025	10 pc.	50 pc.

Delivery length per unit = 100 cm



TECEfloor – Mounting systems

TECEfloor corrugated sheath pipe, slotted

Slotted corrugated sheath pipe made of plastic for protection of the TECEfloor underfloor heating pipes in terms of breakthroughs and expansion joints.

Dimension	Item No.	DU 1	DU 2
25/20 mm	77911016	50 m	1300 m
28/23 mm	77911020	50 m	600 m



TECEfloor expansion joint profile 10 x 100 mm

PE strips made of PE flexible foam, CFC-free, to create permanently elastic screed joints and to limit screed areas. With 40 mm wide self-adhesive foot. Suitable for cement and flow screed.

Width 10 mm, height 100 mm, length 1800 mm

Dimension	Item No.	DU 1
10 x 100 mm	77630010	18 m

Delivery length per unit = 180 cm



TECEfloor polyethylene foil 0.2 mm

Version	Item No.	DU 1
Roll length 50 m	77660012	75 m ²

Width: 1.5 m



TECEfloor stainless steel heating circuit manifold with flow rate indicator

Stainless steel heating circuit manifold, heating circuit manifold bar with large chamber volume, surface polished, sound-absorbent plastic holder with fast assembly function, with union nut 1" flat sealing. Integrated return valves with double O-ring seal on valve tappet, valve disk with O-ring sealing for permanently reliable closing of the heating circuits, flow metre with shut-off, 0.2-5.0 l/min. with locking mechanism to EN 1264-4.

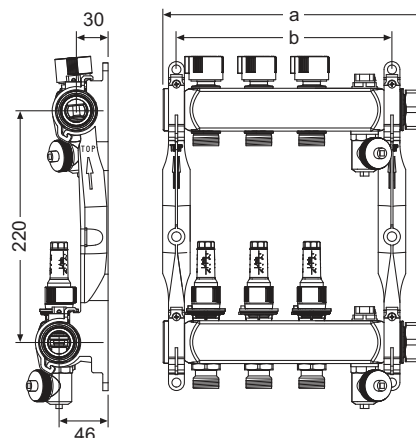
Sight glasses can be exchanged under system pressure, batch indication and tracking for the unique identification of the manifold, even after many years of operation (supply of accessories and spare parts).

SLQ quality-monitored and tested for compatibility. Every manifold is 100 % tested for tightness and function.

Made in Germany



Version	a	b	Item No.	DU 1
2 heating circuits	198 mm	154 mm	77310002	1 pc.
3 heating circuits	248 mm	204 mm	77310003	1 pc.
4 heating circuits	298 mm	254 mm	77310004	1 pc.
5 heating circuits	348 mm	304 mm	77310005	1 pc.
6 heating circuits	398 mm	354 mm	77310006	1 pc.
7 heating circuits	448 mm	404 mm	77310007	1 pc.
8 heating circuits	498 mm	454 mm	77310008	1 pc.
9 heating circuits	548 mm	504 mm	77310009	1 pc.
10 heating circuits	598 mm	554 mm	77310010	1 pc.
11 heating circuits	648 mm	604 mm	77310011	1 pc.
12 heating circuits	698 mm	654 mm	77310012	1 pc.



TECEfloor extension set for heating circuit manifold with flow rate indicator

Including 1" male connector to connect to a TECEfloor stainless steel heating circuit manifold.

Version	Length	Item No.	DU 1
2 heating circuits	153 mm	77310022	1 pc.
3 heating circuits	203 mm	77310023	1 pc.



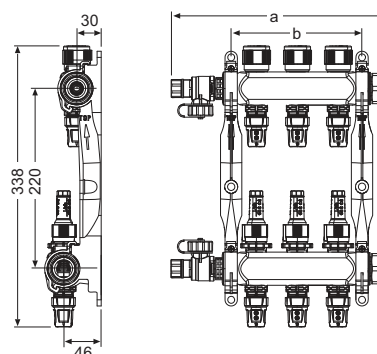
TECEfloor – Manifolds

TECEfloor stainless steel heating circuit manifold type TECElogo-Push with flow rate indicator

Stainless steel heating circuit manifold, outlets with preassembled Eurocone push-fittings of type TECElogo-Push for fast and twist-free connection of TECEfloor heating pipes, dimension 16, type SLQ PE-RT 5S, SLQ Al/PE-RT and SLQ PE-Xa 5S. Push-fitting with Eurocone connection can be subsequently removed with ease using the system tool. Heating circuit manifold bar with large chamber volume, surface polished, sound-absorbent plastic holder with fast assembly function, with union nut 1", flat sealing, integrated return valves with double O-ring seal on valve tappet, valve disk with O-ring sealing for permanently reliable closing of the heating circuits, flow metre with shut-off, 0.2-5.0 l/min with locking mechanism to EN 1264-4. Viewing glasses can be exchanged under system pressure, batch indication and tracking for the unique identification of the manifold, even after many years of operation (supply of accessories and spare parts). SLQ quality-monitored and compatibility tested. Every manifold is 100 % tested for tightness and function. Made in Germany

Only use with the corresponding system tool!

Version	a	b	Item No.	DU 1
2 heating circuits	215 mm	115 mm	77311102	1 pc.
3 heating circuits	265 mm	165 mm	77311103	1 pc.
4 heating circuits	315 mm	215 mm	77311104	1 pc.
5 heating circuits	365 mm	265 mm	77311105	1 pc.
6 heating circuits	415 mm	315 mm	77311106	1 pc.
7 heating circuits	464 mm	365 mm	77311107	1 pc.
8 heating circuits	515 mm	415 mm	77311108	1 pc.
9 heating circuits	565 mm	465 mm	77311109	1 pc.
10 heating circuits	615 mm	515 mm	77311110	1 pc.
11 heating circuits	665 mm	565 mm	77311111	1 pc.
12 heating circuits	715 mm	615 mm	77311112	1 pc.



TECEfloor plastic heating circuit manifold basic module

Basic module, modular expandable with 2-way, 3-way and 4-way connection modules, consists of base with union nut 1" flat-sealing, seal, flow and return thermometer, filling and emptying unit, end caps, manifold holders, screws and wall plugs. Operating conditions max. 60 °C at 6 bar or 90 °C at 3 bar. SLQ quality-monitored and tested for compatibility, 100 % tested for tightness and function.



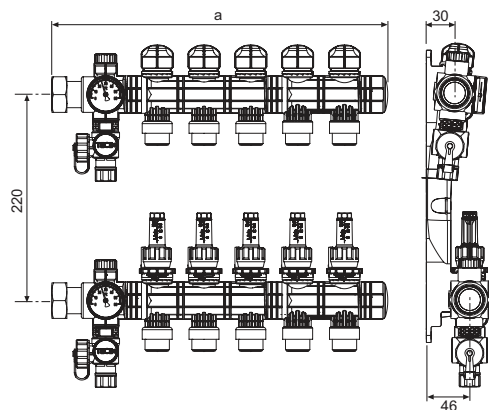
Version	Item No.	DU 1
Basic module	77390010	1 pc.

TECEfloor plastic heating circuit manifold connection module with flow rate indicator

Connection module with flow rate indicator, modular expandable, heating circuit outlets in 3/4" Eurocone, flow with preconfigurable flow rate indicators up to 3.5 l/min, return with integrated valve cores M 30 x 1.5 mm. SLQ quality-monitored and tested for compatibility, 100 % tested for tightness and function.

Version	a	Item No.	DU 1
2 heating circuits	202 mm	77390020	1 pc.
3 heating circuits	252 mm	77390030	1 pc.
4 heating circuits	302 mm	77390040	1 pc.

Note:
Width (a) incl. basic module. The width increases by 50 mm with each additional heating circuit.



TECEfloor ball valve

Ball valve with 1" connection, nickel plated, incl. flat seal, installation dimension 70 mm.

Dimension	Item No.	DU 1	DU 2
Rp 3/4" x R 1"	77381001	1 pc.	20 pc.
Rp 1" x R 1"	77381003	1 pc.	16 pc.



TECEfloor angled ball valve set

Angled ball valve set consisting of return or flow ball valve with angled connection. Manifold connection R 1", flat sealing. Primary connection Rp 3/4" or Rp 1", incl. flat seal. Installation dimension 125 mm.

Dimension	Item No.	DU 1	DU 2
Rp 3/4" x R 1"	77381002	1 pc.	20 pc.
Rp 1" x R 1"	77381009	1 pc.	20 pc.



TECEfloor ball valve with thermometer

Ball valve Rp 1" x R 1", including flat seal. Brass body, nickel-plated. Nominal pressure PN 25. Plastic turning handle and integrated thermometer. Display 0-120 °C. Accuracy class 2 according to EN 13190. Including clips in red and blue for identification of flow and return.

Dimension	Item No.	DU 1
Rp 1" x R 1"	77381008	1 pc.



TECEfloor – Manifolds

TECEfloor calorimeter installation kit

Calorimeter corner installation set with sensor mount to DIN 1434-2, versatile, overall length 110 mm or 130 mm, primary connection Rp 3/4", manifold connection R 1", flat sealing, flow and return ball valve with sensor connection M 10 x 1, installation dimension 127 mm, centre-to-centre distance 70 mm.

Dimension	Item No.	DU 1	DU 2
Rp 3/4" x R 1"	77382005	1 set	10 set



TECEfloor control valve 1"

Control valve G 1"/Rp 1" for shutting off the manifold flow and hydraulic comparison with pre-setting display incl. locking, Kvs value: 5.0 m³/h, installation dimension 70 mm.

Dimension	Item No.	DU 1
Rp 1" x R 1"	77383001	1 pc.



TECEfloor zone regulator valve 1"

Zone regulator valve G 1"/Rp 1" for shutting off the manifold return flow as well as for taking the TECEfloor SLQ servomotor 230 V or 24 V, Kvs value: 4.6 m³/h, installation dimension 70 mm.

Dimension	Item No.	DU 1
Rp 1" x R 1"	77383002	1 pc.



TECEfloor overflow valve

Overflow valve for TECEfloor stainless steel manifold, for assembly right or left on the manifold, for avoiding flow sounds. Setting range: 100-500 mbar

Dimension	Item No.	DU 1	DU 2
R 1"	77390012	1 pc.	10 pc.



TECEfloor industrial heating circuit manifold, plastic, 1 1/2" basic module

Industrial plastic manifold 1 1/2", basic module for the modular installation of industrial manifolds up to 20 heating circuits, incl. boiler filling/emptying tap and wall mount. Testing pressure 6 bar (< 30 °C, 24 h), operating pressure 3 bar, -20 °C to 60 °C.

Version	Item No.	DU 1
Basic module	77390110	1 pc.



TECEfloor industry heating circuit manifold pre-flow/return-flow set **NEW**

Industry heating circuit manifold module, 2-20 heating circuits can be added modularly, O-ring sealing, pre-flow segment with flow rate metre 4-20 l/min., return segment with integrated valve. For connecting the TECEfloor PE-RT 5S pipes 25 x 2.5 mm using the TECEfloor connection adapter.



Version	Item No.		DU 1	DU 2
2 heating circuits	77390116	NEW	1 pc.	120 pc.
3 heating circuits	77390117	NEW	1 pc.	80 pc.

TECEfloor industry plastic heating circuit manifold flow/return module

Industrial heating circuit manifold, manifold segment, combinable, 1-20 heating circuit can be added modularly, O-ring sealing, flow segment with flow rate metre 4-20 l/min., return segment with integrated valve. Connection for taking the TECEfloor connection adapter type TECEflex.



Version	a	Item No.		DU 1
1 heating circuit	180 mm	77390113	SALE	1 pc.

Note:

- Width (a) incl. basic module. The width increases by 70 mm with each additional heating circuit.
- As of 10 heating circuits, an additional wall mount set is required (77390120).

TECEfloor connection adapter set type TECEflex for industry heating circuit manifold

Plug adapter set with TECEfloor system transition type Flex for connection to the TECEfloor industrial heating circuit manifold.



Dimension	Version	Item No.	DU 1	DU 2
25 x 2,5	TECEflex	77390114	1 pc.	10 pc.

TECEfloor industrial heating circuit manifold, plastic, wall mount set

Industrial heating circuit manifold 1 1/2" wall mount set for additional mounting of the manifold module, 400 mm spacing or as of 10 to max. 20 heating circuits.



Item No.	DU 1
77390120	1 pc.

TECEfloor industrial heating circuit manifold, plastic, pressure gauge

Industrial heating circuit manifold pressure gauge with installation valve.



Item No.	DU 1
77390130	1 pc.

TECEfloor – Manifolds

TECEfloor industrial ball valve set 1 1/2"

Industrial heating circuit manifold ball valve set G 1 1/2", made of brass, installation dimension 88 mm.



Item No.	DU 1
77381006	1 pc.

TECEfloor fixed value control 20-55 °C

Fixed value control with thermostat head and flow sensor, hydraulic comparison with the adjacent heat distribution system via return valve and balance valve possible.

Electronically controlled circulating pump ES 15-60/130 (EEI≤0,20) with permanent magnet synchronous motor. Energy efficiency class A, (3 ... 42 W). The patented pump chamber prevents rotor blockages caused by deposits e.g. after long idle times.

Operating modes:

- Constant pressure 300 mbar
- Constant pressure 400 mbar
- Proportional and variably adjustable

Output approx. 10 kW,

Primary flow max. 90 °C, primary return max. 55 °C,

$P_{max} = 6$ bar,

Thermostat valve K_{vs} value 4.0,

Return valve K_{vs} value 2.7,

Primary connection via Rp 3/4",

Secondary connection to the manifold R 1", flat sealing,

Installation dimension 245 mm.

Please order seperately:

- TECEfloor contact thermostat 77450011 (optional)



Item No.	DU 1
77450000	1 pc.

TECEfloor ConstantMix control station

Preassembled control station thermostatic 3-way mixer 35-60 °C. With a scale of 1-6 for easy setting of the desired constant flow temperature for the under-floor heating. Electronically controlled circulating pump ES2 15-60 (EEI <0.20) with permanent magnet synchronous motor. Energy efficiency class A (3...42 W). Includes safety thermostat (fixed at 50 °C), for switching off the circulation pump when the secondary flow temperature gets too high.

Operating modes:

- Constant pressure 300 mbar
- Constant pressure 400 mbar
- Proportional and variably adjustable

Output approx. 10 kW,

Primary flow max. 90 °C, primary return max. 55 °C, $P_{max} = 6$ bar,

3-way mixer K_{vs} value 2.5

Primary connection via Rp 3/4" ball valve,

Secondary connection to the manifold R 1", flat-sealing, installation dimension 245 mm.



Item No.	DU 1
77450010	1 pc.

TECEfloor ServoMix control station

Preassembled control station with manual 3-way mixer. Suitable for accommodating a mixer motor (e.g. for weather-driven flow temperature regulation). Electronically controlled circulating pump ES2 15-60 (EEI <0.20) with permanent magnet synchronous motor. Energy efficiency class A (3...42 W).

Operating modes:

- Constant pressure 300 mbar
- Constant pressure 400 mbar
- Proportional and variably adjustable

Output approx. 10 kW,

Primary flow max. 90 °C, primary return max. 55 °C, $P_{max} = 6$ bar,

3-way mixing valve K_{vs} value 4.3

Primary connection via Rp 3/4" ball valve,

Secondary connection to the manifold R 1", flat-sealing, installation dimension 245 mm.



Item No.	DU 1
77450005	1 pc.

TECEfloor contact thermostat 20-60 °C STC

Safety thermal cut-out with tensioning band, electromechanical contact thermostat for switching off circulating pumps or closing zone valves NC, connected load 230 V.



Item No.	DU 1
77450011	1 pc.

TECEfloor – Manifolds

TECEfloor Comfort manifold cabinet UP 110

Stable Comfort flush-mounted manifold cabinet made of 1 mm thick, galvanised sheet steel, with raised electrical installation area in the upper part of the cabinet including top-hat rail to accommodate the TECEfloor control terminal strips. Rear panel with 2 removable fixing rails including non-slip fixing screws to accommodate the heating circuit manifold, top and side panels with pre-punched openings for supply and return pipes, including screed baffle plate, door and cover frame made of galvanised sheet steel, powder-coated in white (RAL 9016), depth adjustable 110-150 mm, installation height 780-900 mm.



TECEfloor

Cabinet type	Width	Item No.	DU 1	DU 2
110-1	400 mm	7735 1501	1 pc.	26 pc.
110-2	540 mm	7735 1502	1 pc.	22 pc.
110-3	690 mm	7735 1503	1 pc.	15 pc.
110-4	840 mm	7735 1504	1 pc.	13 pc.
110-5	990 mm	7735 1505	1 pc.	12 pc.
110-6	1140 mm	7735 1506	1 pc.	11 pc.

Wall opening measurement = interior width + at least 45 mm

Recommended cabinet width = installed elements + and assembly clearance distance (2 x ≥ 50 mm)

Item No.	Required niche width	Required niche height	Required niche depth
7735 1501	430 mm	715 mm	115-155 mm
7735 1502	570 mm	715 mm	115-155 mm
7735 1503	720 mm	715 mm	115-155 mm
7735 1504	870 mm	715 mm	115-155 mm
7735 1505	1020 mm	715 mm	115-155 mm
7735 1506	1170 mm	715 mm	115-155 mm

Item No.	Heating circuits incl. ball valve	Heating circuits incl. corner ball valve	Heating circuits incl. corner calorimeter set
7735 1501	2	-	-
7735 1502	3-5	2-4	2-3
7735 1503	6-8	5-7	4-6
7735 1504	9-11	8-10	7-9
7735 1505	12	11-12	10-12
7735 1506	12+3	12+3	12+3

Item No.	Heating circuits incl. fixed setpoint regulation
7735 1501	-
7735 1502	2
7735 1503	3-5
7735 1504	6-8
7735 1505	9-11
7735 1506	12

TECEfloor Comfort manifold cabinet UP 80

Stable Comfort flush-mounted manifold cabinet made of 1 mm thick, galvanised sheet steel, with raised electrical installation area in the upper part of the cabinet including top-hat rail to accommodate the TECEfloor control terminal strips. Rear panel with 2 removable fixing rails including non-slip fixing screws to accommodate the heating circuit manifold, top and side panels with pre-punched openings for supply and return pipes, including screed baffle plate, door and cover frame made of galvanised sheet steel, powder-coated in white (RAL 9016), depth adjustable 80-120 mm, installation height 780-900 mm.



Cabinet type	Width	Item No.	DU 1	DU 2
80-2	540 mm	77351602	1 pc.	26 pc.
80-3	690 mm	77351603	1 pc.	19 pc.
80-4	840 mm	77351604	1 pc.	17 pc.
80-5	990 mm	77351605	1 pc.	14 pc.

Wall opening measurement = interior width + at least 45 mm

Recommended cabinet width = installed elements + and assembly clearance distance (2 x ≥ 50 mm)

Item No.	Required niche width	Required niche height	Required niche depth
77351602	570 mm	715 mm	85-125 mm
77351603	720 mm	715 mm	85-125 mm
77351604	870 mm	715 mm	85-125 mm
77351605	1020 mm	715 mm	85-125 mm

Item No.	Heating circuits incl. ball valve	Heating circuits incl. corner ball valve	Heating circuits incl. corner calorimeter set
77351602	2-5	2-4	2-3
77351603	6-8	5-7	4-6
77351604	9-11	8-10	7-9
77351605	12	11-12	10-12

Item No.	Heating circuits incl. fixed setpoint regulation
77351602	2
77351603	3-5
77351604	6-8
77351605	9-11

TECEfloor – Manifolds

TECEfloor Comfort manifold cabinet AP 140

Stable Comfort wall-mounted manifold cabinet made of 1 mm thick, galvanised sheet steel, powder-coated in white (RAL 9016), with raised electrical installation area in the upper part of the cabinet including top-hat to accommodate the TECEfloor control terminal strips, removable rear panel with 2 fastening rails including non-slip fixing screws to accommodate the heating circuit manifolds, depth: 140 mm, height: 710 mm.



Cabinet type	Width	Item No.	DU 1	DU 2
140-2	500 mm	77351802	1 pc.	27 pc.
140-3	730 mm	77351803	1 pc.	18 pc.
140-4	880 mm	77351804	1 pc.	16 pc.
140-5	1030 mm	77351805	1 pc.	13 pc.

Recommended cabinet width = installed elements + and assembly clearance distance (2 x ≥ 50 mm)

Item No.	Heating circuits incl. ball valve	Heating circuits incl. corner ball valve
77351802	2-4	2-3
77351803	5-9	4-8
77351804	10-11	9-11
77351805	12	12

Item No.	Heating circuits incl. corner calorimeter set	Heating circuits incl. fixed setpoint regulation
77351802	2	-
77351803	3-7	2-6
77351804	8-10	7-9
77351805	11-12	10-12

TECEfloor turning lock for Comfort manifold housings

NEW

Turning lock for TECEfloor comfort manifold housings flush-mounted and wall-mounted.

Item No.		DU 1	DU 2
77990097	NEW	1 pc.	10 pc.



TECEfloor 3-way heating pump assembly

Heating pump assembly for restricting and regulating the flow temperature in combined radiator-underfloor heating systems. Pre-assembled and compact control station for a mixed heating circuit with 3-way mix valve with steplessly adjustable bypass and electronically controlled circulation pump.

External connections: Rp 1"

Centre distance: 125 mm

Operation: maximum 6 bar

Operating temperature: maximum 95 °C

Version: Flow right (can be converted to flow left)

Consisting of:

- High-efficiency circulation pump Wilo Yonos Para (RS 25/6 and 25/7.5)
- 3-way mixing valve with integrated bypass kvs = 7.0
- Shut-off unit with integrated thermometers
- Lockable gravity brakes
- Heat insulation jacket made of EPP (Dimensions: 250 x 380 x 170 mm)



Version	Item No.	DU 1
Rp 1" - RS 25/6 (up to approx. 20 KW/10 K/1700 l/h)	77460003	1 pc.
Rp 1" - RS 25/7.5 (up to approx. 30 KW/10 K/2500 l/h)	77460004	1 pc.

TECEfloor mixing valve motor 230 V

3-point actuator for mix valve, valve position indicator, LED rotation indicator, simple and quick assembly, coupling for manual actuation, quiet and reliable.

Power: 230 V, 50 Hz/3-5 VA

Actuating angle: 90 ° fix

Runtime: 2 min/90 °

Torque: 5 Nm

Protection class: IP42



Item No.	DU 1
77460005	1 pc.

TECEfloor constant temperature regulator 230 V

Constant temperature regulator with built-in 3-point actuator for simple and fast assembly. Settings via capacitive keyboard, resistant to mechanical impacts, moisture and dust. With temperature display, valve position indicator, LED rotation indicator, including immersion sensors.

Power: 230 V, 50 Hz/4 VA

Torque: 6 Nm

Protection class: IP42



Item No.	DU 1	DU 2
77460006	1 pc.	24 pc.

TECEfloor – Control

TECEfloor compact mixer regulator 230 V

Weather-compensated heating circuit regulator with built-in 3-point actuator. Operation via touch-sensitive screen, simple plug & play installation, weather-compensated mixer control, weekly program, flow temperature limit, automatic summer/winter switch, frost protection function, anti-blockage protection for pumps, error diagnostics, including external and contact sensors.

Power: 230 V, 50 Hz/4 VA

Torque: 6 Nm

Protection class: IP42



Item No.	DU 1
77460007	1 pc.

TECEfloor design RTL box shell set

Control unit for decentralised individual room control incl. return temperature limit for floor and wall heating systems in combination with a radiator installation.

Consisting of:

Wall installation module with pre-configurable control valve, pre-configurable RTL valve and thermostat valve, including bare-wall protection system and connection adapter 3/4" Eurocone, installation depth: 65-90 mm.

Caution:

Can only be used in combination with the TECEfloor design RTL box fine installation set 77470020 or 77470021 (please order separately).



Item No.	DU 1
77470010	1 pc.

TECEfloor Design RTL box fine installation set

Control unit for decentralised individual room control incl. return temperature limit for floor and wall heating systems in combination with a radiator installation.

Consisting of:

High-quality design cover plate made of real glass, attractive design thermostat head made of anodised aluminium, plastic installation frame as well as mounting plate for depth adjustment.

Cover plate dimensions (W x H x D): 104 x 124 x 7 mm

Caution:

Can only be used in combination with the TECEfloor design RTL box shell set 77470010 (please order separately).



Colour	Item No.	DU 1
White glass	77470021	1 pc.
Black glass	77470020	1 pc.

TECEfloor Standard RTL box

Control unit for decentralised individual room temperature control including return temperature limitation for floor and wall heating systems in combination with a radiator installation.

Consisting of:

- Shell set with wall installation box with presettable control valve, presettable RTL and thermostatic valve, including bare-wall protection and connection adapter 3/4" Eurocone, installation depth: 65-90 mm.
- Fine installation set with plastic cover plate in high-gloss white, shapely thermostat control head and installation frame



Item No.	DU 1
77470005	1 pc.

TECEfloor thermostat head extension for RTL Box

Thermostat head extension if the maximum installation depth of the TECEfloor RTL Box is exceeded. Length 20 mm.



Version	Item No.	DU 1	DU 2
Design RTL Box	77470025	1 pc.	-
Standard RTL box	77470026	1 pc.	10 pc.

TECEfloor room thermostat RT-A, analogue

Electronic room thermostat 230 V/24 V NC. For assembly on concealed sockets or directly on the wall, room temperature control via dial with soft-lock, set-back input, 2 K temperature reduction, switching current 1 A (24 V) or 2 A (230 V) resistive load, for max. 5 or 10 servomotors per 3 W, dimensions (W x H x D): 86 x 86 x 29 mm, plastic housing, colour: signal white.



Available in two versions:

- RT-A: Heating
- RT-A radiator: Heating/cooling via changeover input 230 V and 24 V option.

Version	Item No.	DU 1
RT-A 230	77410030	1 pc.
RT-A 230-HK	77410031	1 pc.
RT-A 24	77410032	1 pc.
RT-A 24-HK	77410033	1 pc.

TECEfloor room thermostat RS-A, analogue

Electronic room sensor, 24 V NC. Installation on flush-mounted socket or directly onto the wall. Setting of the room temperature only via the setting wheel in the cover. Set-back input, 2 K temperature reduction, switching current 1 A (24 V) resistive load, for max. 5 servomotors per 3 W, dimensions (W x H x D): 86 x 86 x 29 mm, plastic housing, colour: signal white.



Version	Item No.	DU 1	DU 2
RS-A 24	77410051	1 pc.	54 pc.

TECEfloor – Control

TECEfloor room thermostat RT-D, LC display

Electronic room thermostat 230 V/24 V NC. For assembly on concealed sockets or directly on the wall, room temperature control via dial with turn and press mechanism, and soft-lock, LC display, selectable operating mode: Day/night/automatic, switching current 1 A (24 V/230 V) resistive load, for max. 5 servomotors of 3 W each, dimensions (W x H x D): 86 x 86 x 31 mm, plastic housing, colour: signal white.



Available in two versions

- RT-D Standard: Heating, set-back input, 2 K temperature set-back, automatic mode via external time switch
- RT-D Control: Heating/cooling, changeover input, internal timer, set-back output, smart start-stop function, connection for external sensor

Optionally in 230 V and 24 V.

Version	Item No.	DU 1
RT-D 230 Standard	77410034	1 pc.
RT-D 230 Control	77410035	1 pc.
RT-D 24 Standard	77410036	1 pc.
RT-D 24 Control	77410037	1 pc.

TECEfloor room thermostat RT-D, LC display design

Electronic room thermostat 230 V/24 V NC. For assembly on concealed sockets or directly on the wall, room temperature control via dial with turn and press mechanism, and soft-lock, LC display, selectable operating mode: Day/night/automatic, switching current 1 A (24 V/230 V) resistive load, for max. 5 servomotors of 3 W each, dimensions (W x H x D): 92 x 92 x 31 mm, plastic housing, colour: signal white.



With high-quality design real glass cover.

Available in two versions

- RT-D Design Standard: Heating, set-back input, 2 K temperature set-back, automatic mode via external time switch
- RT-D Design Control: Heating/cooling, changeover input, internal timer, set-back output, smart start-stop function, connection for external sensor

Optionally in 230 V or 24 V.

Version	Colour	Item No.	DU 1
RT-D Design 230 Standard	White glass	77410039	1 pc.
RT-D Design 230 Control	White glass	77410041	1 pc.
RT-D Design 24 Standard	White glass	77410043	1 pc.
RT-D Design 24 Control	White glass	77410045	1 pc.

TECEfloor decorative frame

Decorative frame for TECEfloor room thermostats. For covering flush-mounted sockets that are larger than the room thermostat or have not been cleanly plastered around. Suitable for all wired TECEfloor room thermostats (77410030-77410051). Dimensions: 94 x 94 mm, colour: signal white.



Item No.	DU 1	DU 2
77410052	13 pc.	260 pc.

TECEfloor connection unit Standard

Connection unit to wire TECEfloor room thermostats with TECEfloor servomotors (230 V/24 V). Includes set-back channel to connect an external system clock or to connect a TECEfloor room thermostat RT-D control, for temperature reduction by TECE room thermostats RT-A or RT-D Standard, screwless push-fit connections.

Dimensions (W x H x D): 326 x 90 x 52 mm

Equipment: Only heating

Please order separately:

- TECEfloor system transformer 77430040 (for 24 V)



Version	Item No.	DU 1
Standard 230/24 V - 6 zones	77430028	1 pc.
Standard 230/24 V - 10 zones	77430029	1 pc.

TECEfloor connection unit Standard plus

Connection unit to wire TECEfloor room thermostats with TECEfloor servomotors (230 V/24 V). Includes set-back channel to connect an external system clock or to connect a TECEfloor room thermostat RT-D control, for temperature reduction by TECE room thermostats RT-A or RT-D Standard, screwless push-fit connections.

Dimensions (W x H x D): 326 x 90 x 52 mm

Equipment: Heating and cooling, output pump control, input temperature limiter and dew point monitor

Please order separately:

- TECEfloor system transformer 77430040 (for 24 V)



Version	Item No.	DU 1
Standard plus 230 V - 6 zones	77430030	1 pc.
Standard plus 230 V - 10 zones	77430031	1 pc.
Standard plus 24 V - 6 zones	77430032	1 pc.
Standard plus 24 V - 10 zones	77430033	1 pc.

TECEfloor temperature sensor

Floor sensor for connection to the TECEfloor room thermostats RT-D control, sensor: NTC 22 kOhm at 25 °C.

Length/type: 3 m, 2 x 0.75 mm²



Item No.	DU 1
77410050	1 pc.

TECEfloor system transformer

Safety isolating transformer to EN 61558 for TECEfloor connection unit, 24 V. Primary: 230 V 50/60 Hz, secondary: 24 V, 30 VA, no load power < 1 W.

Item No.	DU 1
77430040	1 pc.



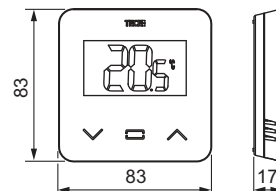
TECEfloor – Control

TECEfloor room control unit SH-DT, temperature, LCD display

Electronic individual room controller for residential and business premises with bidirectional radio communication (868 MHz).

Features:

- Integrated temperature sensor
- LCD glass display with backlight
- Touch keypads for user-friendly operation
- Setpoint temperature adjustment from 5-37 °C
- Operating modes: Comfort, lower, OFF, frost protection, timer
- Window open detection
- Display lock via PIN code
- Protection class IP 30
- Range: max. 30 m (undisturbed)
- Colour: white or black
- Includes 2 x 1.5 V batteries (AAA)
- Input for external temperature sensor
- Wall mounting or tabletop installation with stand
- Compatible with TECEfloor control distributor (77420064/65)
- Smart Home-enabled in conjunction with the TECEfloor Smart Home central unit (77420060/61)
- Dimensions: 83 x 83 x 17 mm



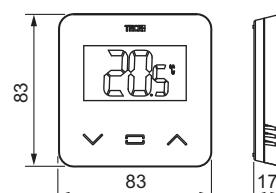
Version	Item No.	DU 1	DU 2
SH-DT white	77420051	1 pc.	24 pc.
SH-DT black	77420052	1 pc.	24 pc.

TECEfloor room control unit SH-DTH, temperature and humidity, LCD display

Electronic individual room controller for residential and commercial premises with bidirectional radio communication (868 MHz).

Features:

- Integrated temperature and humidity sensor
- LCD glass display with backlight
- Touch keypads for user-friendly operation
- Setpoint temperature adjustment from 5-37 °C
- Operating modes: Comfort, lower, OFF, frost protection, timer
- Window open detection
- Display lock via PIN code
- Protection class IP 30
- Range: max. 30 m (undisturbed)
- Colour: white
- includes 2 x 1.5 V batteries (AAA)
- Input for external temperature sensor
- Wall mounting or tabletop installation with stand
- Compatible with TECEfloor control distributor (77420064/65)
- Smart Home capable in conjunction with the TECEfloor Smart Home central unit (77420060/61)
- Dimensions: 83 x 83 x 17 mm



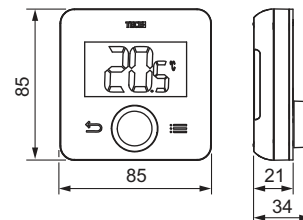
Version	Item No.	DU 1	DU 2
SH-DTH white	77420053	1 pc.	24 pc.

TECEfloor room control unit SH-DTP, temperature, LCD display, programmable

Electronic individual room controller for residential and business premises with bidirectional radio communication (868 MHz).

Features:

- Integrated temperature sensor
- LCD glass display with backlight
- Touch keypads for user-friendly operation
- Programmable
- Setpoint temperature adjustment from 5-37 °C
- Operating modes: Auto, Comfort, lower, OFF, holiday, timer
- 9 integrated standard and 4 customisable weekly programs
- Window open detection
- Display lock via PIN code
- Protection class IP 30
- Range: max. 30 m (undisturbed)
- Colour: white
- Includes 2 x 1.5 V batteries (AAA)
- Input for external temperature sensor
- Wall mounting or tabletop installation with stand
- Compatible with TECEfloor control distributor (77420064/65)
- Smart Home-enabled in conjunction with the TECEfloor Smart Home central unit (77420060/61)
- Dimensions: 85 x 85 x 21 mm



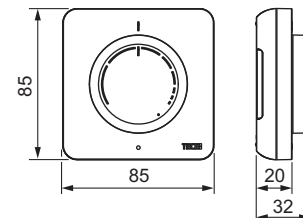
Version	Item No.	DU 1	DU 2
SH-DTP white	77420055	1 pc.	24 pc.

TECEfloor room control unit SH-AT, temperature

Electronic individual room controller for residential and business premises with bidirectional radio communication (868 MHz).

Features:

- Integrated temperature sensor
- Setting of the setpoint temperature from 7-30 °C via adjusting wheel
- Switching differential 0.5 K, with status LED
- Protection class IP 30
- Range: max. 30 m (undisturbed)
- Colour: White
- Includes 2 x 1.5 V batteries (AAA)
- Wall mounting or table installation with stand
- Compatible with TECEfloor control distributor (77420064/65)
- Smart Home-enabled in conjunction with the TECEfloor Smart Home central unit (77420060/61)
- Dimensions: 85 x 85 x 20 mm



Version	Item No.	DU 1	DU 2
SH-AT white	77420050	1 pc.	24 pc.

TECEfloor – Control

TECEfloor control distributor SH-CD

Control terminal strip with bidirectional radio communication (868 MHz), for connecting the TECEfloor room operating units with the TECEfloor actuators.

Features:

- 6 or 10 zones (max. number of room operating units)
- 2 drives per zone, several zones can be combined
- Multicoloured status LEDs
- Screwless cable plug connections
- Integrated radio antenna
- Protection class IP 30
- Power supply: 230 V
- Zone-by-zone humidity management (dew point monitoring)
- Heating and cooling function in combination with TECEfloor heating/cooling module (77420066)
- Dimensions: 265 x 90 x 56 mm (6 zones), 365 x 90 x 56 mm (10 zones)

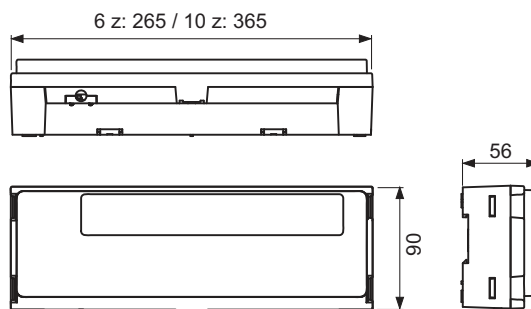
Output:

- 1 x live output (230 V) for pump control
- 1 x floating output for switching a heat generator

Input:

- 1 x input change-over signal heating/cooling
- 1 x input temperature limiter for switching off the pump in case of overtemperature
- 1 x input temperature sensor for dew point monitoring in cooling mode

Version	Item No.	DU 1	DU 2
SH-CD6-230	77420064	1 pc.	6 pc.
SH-CD10-230	77420065	1 pc.	6 pc.



TECEfloor heating/cooling module SH-HCM

Switching module with bidirectional radio communication (868 MHz), as interface for central heating/cooling management.

Features:

- Heating or cooling request from reversible heat pump or external change-over switch or via TECEfloor central unit
- Power supply: 230 V
- Protection class: IP 30
- Heating and cooling functions in combination with TECEfloor control distributor (77420064/65)
- Dimensions: 265 x 90 x 56 mm

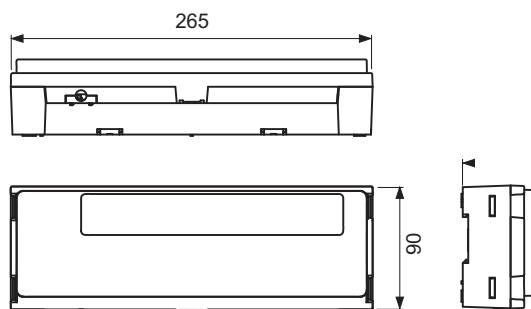
Output:

- 1 x floating output for switching a heat generator
- 1 x floating output for switching a cooling unit
- 1 x floating output for switching a dehumidifier
- 1 x live output (230 V) for pump control

Input:

- 1 x floating input for switching heating/cooling
- 1 x floating input for central dew point sensor

Version	Item No.	DU 1	DU 2
SH-HCM	77420066	1 pc.	6 pc.

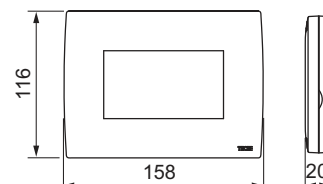


TECEfloor Smart Home central unit SH-CU

Central operating unit with bidirectional radio communication (868 MHz), for programming and controlling the TECEfloor individual room controller.

Features:

- High-quality real glass surface with capacitive colour touch screen
- Determination of individual time programmes for max. 50 room control units including heating/cooling applications.
- 25 ON/OFF switches by using TECEfloor switch module or TECEfloor radio sockets
- For installation on flush-mounted socket UP 68
- Voltage supply 85-265 V (50-60 Hz) via connection socket (included in scope of delivery)
- Removable operating unit with rechargeable battery for approx. 2 hours of offline operation
- Choice of table installation with power supply via optional TECEfloor USB power supply unit (77420075)
- Micro SD card slot
- Protection class IP 30
- Colour: white or black
- Includes WiFi interface (802.11b - 2.4 GHz and 802.11g - 2.4 GHz) for communication with on-site WLAN router
- Remote control via app for smartphone and tablet (Android or IOS) or Internet port
- Compatible voice assistants: Amazon Alexa and Google Assistant
- Dimensions: 158 x 116 x 22 mm



Version	Item No.	DU 1	DU 2
SH-CU white	77420060	1 pc.	17 pc.
SH-CU black	77420061	1 pc.	17 pc.

TECEfloor radiator thermostatic head SH-RC

Thermostatic head with integrated valve drive for radiator control, with bidirectional radio communication (868 MHz).

Features:

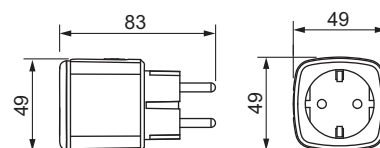
- Display of room temperature
- Adjustment of setpoint temperature from 5-30 °C
- Operating modes: Auto, Comfort, lower, OFF, holiday, frost protection
- 9 integrated standard and 4 customisable weekly programs
- Window open detection
- Protection class IP 30
- Colour: white
- Includes 2 x 1.5 V batteries (AAA)
- Stand-alone operation or in combination with TECEfloor central unit
- Includes various valve adapters (Danfoss, Heimeier, Honeywell ...)



Item No.	DU 1	DU 2
77420072	1 pc.	17 pc.

TECEfloor socket SH-PO

Socket with bidirectional radio communication (868 MHz), for ON/OFF control of electrical devices (230 V with safety plug) via the TECEfloor central unit. Can also be used in combination with a room control unit for controlling electric radiators, heating panels or infrared heaters with Schuko plug. Switching capacity: Relay 14 A, 250 V, max. 3000 W protection class IP20.



Item No.	DU 1	DU 2
77420070	1 pc.	40 pc.



TECEfloor – Control

TECEfloor switch module SH-SM

Switching module with bidirectional radio communication (868 MHz), for controlling heat/cold generators, fans, air conditioners, pumps, valve drives and much more. With potential-free switching contact, 10 A, 250 V. Protection class IP 20. Using a cable bridge, the unit is also suitable for direct connection to control electric radiators, heating panels, infrared heaters, etc. Can also be used as an ON/OFF switching contact in combination with a TECEfloor central unit.



Item No.	DU 1	DU 2
77420071	1 pc.	40 pc.

TECEfloor temperature sensor SH-FS

NTC temperature sensor with cable length 3 m, can be used as floor or remote sensor in connection with the TECEfloor room control units, sensor of class II, R25: 10 K.



Item No.	DU 1	DU 2
77420074	1 pc.	150 pc.

TECEfloor USB power supply SH-PS for central unit

Power supply unit with mini USB cable for power supply of the TECEfloor central unit when installed on a table, input voltage: 100-240 V/0.15 A, output voltage: 5 V/0.5 A.



Item No.	DU 1	DU 2
77420075	1 pc.	112 pc.

TECEfloor repeater SH-R

Repeater for radio signal optimisation in case of poor radio reception, USB power supply unit 100-240 V, radio antenna with USB plug.



Item No.	DU 1	DU 2
77420073	1 pc.	34 pc.

TECEfloor SLQ servomotor TA 2.0

Thermal servomotor, operating mode normally closed (NC), for mounting on the return valves of the TECEfloor SLQ heating circuit manifold. Opened at the factory (first-open function), facilitates easy screwing onto the control valves and filling and flushing the system. The servomotor can be opened again at any time for servicing (re-open function). Protection class IP 54, therefore mountable 360° in any position. Robust union nut connection M 30 x 1.5 mm made of nickel-plated brass, lifting and closing dimension tailored to TECEfloor heating circuit manifolds, connection voltage 24 V/230 V. SLQ quality-monitored and tested for compatibility.



Version	Item No.	DU 1	DU 2
230 V	77490017	1 pc.	8 pc.
24 V	77490022	1 pc.	8 pc.

TECEfloor SLQ servomotor building control system

Servomotor, normally closed (NC) when no current flowing, for mounting on return valves of SLQ heating circuit manifolds, for the direction connection of a building control system (BCS), control voltage 0-10 V, protection class IP 54, consequently, mounts 360° in any position, connection voltage 24 V. Length of connection cable: 1 m



Item No.	DU 1
77490021	1 pc.

TECEfloor – Accessories

TECE pipe bend guides

Pipe bend guides made of plastic, to guide pipes out of the screed.

Dimension	Item No.	DU 1	DU 2
14-17 mm	77910010	25 pc.	200 pc.
18-20 mm	77910011	25 pc.	100 pc.
25 mm	77910012	25 pc.	100 pc.



TECEfloor tension belt 20 mm

Tension belt for fixing started pipe rolls during transport and storage.

Item No.	DU 1	DU 2
77920010	1 pc.	50 pc.



TECEfloor tool case dimension 16, type TECElogo-Push

Complete tool set to cut to length, deburr and calibrate TECEfloor system pipes, dimension 16 - type SLQ PE-RT 5S, SLQ PE-Xa 5S and SLQ Al/PE-RT - in combination with TECEfloor Eurocone push-fittings type TECElogo-Push. Consists of pipe scissors, calibrator, handle, hook wrench and open-end wrench.

Dimension	Item No.	DU 1
16	77920041	1 pc.



TECE pipe cutter

Dimension	Item No.	DU 1
14-25	8760002	1 pc.



TECEfloor SLQ pipe calibrator dim. 12/14/16/17/20

SLQ pipe calibrator 12/14/16/17/20 with adapted cutting geometry, to deburr and calibrate pipe ends when SLQ clamping ring connections are used, SLQ tested system tool.

Dimension	Item No.	DU 1
12/14/16/17/20	77920001	1 pc.



TECEfloor tool set dimension 16, type TECElogo-Push

Tool set to deburr and calibrate the TECEfloor system pipes - type SLQ PE-RT 5S, SLQ PE-Xa 5S and SLQ Al/PE-RT - in combination with TECEfloor Eurocone push-fittings type TECElogo-Push. Consists of manual calibrator and hook wrench.

Dimension	Item No.	DU 1
16	77920040	1 pc.



TECEfloor expanding head, suitable for pipe expanding tool RAZ-V

SLQ expanding head for expanding PE-Xc and PE-RT all-plastic pipes for installing the SLQ pressure sleeve coupling, not suitable for Al composite pipes.



Dimension	Item No.	DU 1
17 x 2	77921700	1 pc.
20 x 2 (20 L)	77922000	1 pc.
25 x 2,5 (25 L)	77922500	1 pc.

TECEfloor quick-action air vent set

TECEfloor quick-action air vent set G 1/2" made of glass-fibre reinforced plastic, with O-ring seal. To automatically vent sealed heating systems to EN 12828. Patented two-way venting principle ensures high venting capacity. Suitable for water and a water-glycol solution with maximum 50 % glycol. Nominal pressure max. 8 bar at 95 °C/3.5 bar at 120 °C.



Item No.	DU 1	DU 2
77300001	1 pc.	10 pc.

TECE laying winder

Laying winder, foldable, variably adjustable for TECEfloor, TECEflex and TECElogo rolls up 600 m length.

Dimension	Item No.	DU 1
up to 600 m	720193	1 pc.



TECEfloor roll dispenser

Universal roll dispenser for rolls of TECE pipe, length 200-800 m, width adjustment of inner roll diameter (D_i) 200-900 mm, outer roll diameter (D_a) 600-1300 mm.

Item No.	DU 1
77920020	1 pc.

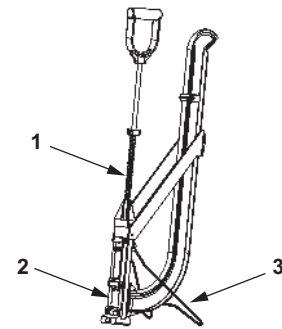


TECEfloor – Spare parts

77610001 – TECEfloor tacking tool T8 extra

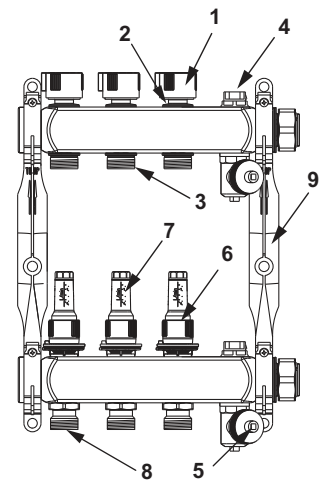
77610024 – TECEfloor standard tacking tool 6 mm

Pos.	Item No.	Designation	DU 1
1	77990054	Coil spring for tacking tools	1 pc.
2	77990055	Inspection opening for tacking tools	1 pc.
3	77990056	Stand for tacking tools	1 pc.



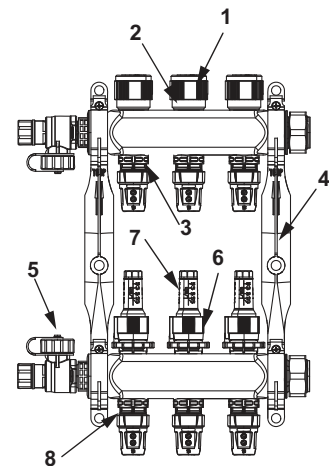
TECEfloor stainless steel heating circuit manifold with flow rate indicator

Pos.	Item No.	Designation	DU 1
1	77990062	Return valve manual cap	1 pc.
2	77990052	Return valve	1 pc.
3	77990072	Pipe connector return	5 pc.
4	77990061	Vent G 1/2" for manifold	1 pc.
5	77990060	Filling/emptying valve 1/2" for manifold	1 pc.
6	77990051	Flow valve with flow rate indicator	1 pc.
7	77990070	Inspection glass flow meter, 0.5-4.0 l/min	5 pc.
	77990098	Inspection glass flow meter, 0.2-5.0 l/min	NEW 5 pc.
8	77990071	Pipe connector flow	5 pc.
9	77990053	Manifold holder set	1 pc.



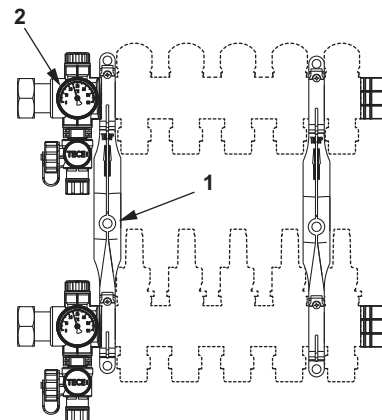
TECEfloor stainless steel heating circuit manifold type TECElogo-Push with flow rate indicator

Pos.	Item No.	Designation	DU 1
1	77990062	Return valve manual cap	1 pc.
2	77990052	Return valve	1 pc.
3	77990072	Pipe connector return	5 pc.
4	77990053	Manifold holder set	1 pc.
5	77990078	Filling/emptying tap G 1" for TECEfloor Push heating circuit manifold	1 pc.
6	77990051	Flow valve with flow rate indicator	1 pc.
7	77990070	Inspection glass flow meter, 0.5-4.0 l/min	5 pc.
	77990098	Inspection glass flow meter, 0.2-5.0 l/min	NEW 5 pc.
8	77990071	Pipe connector flow	5 pc.



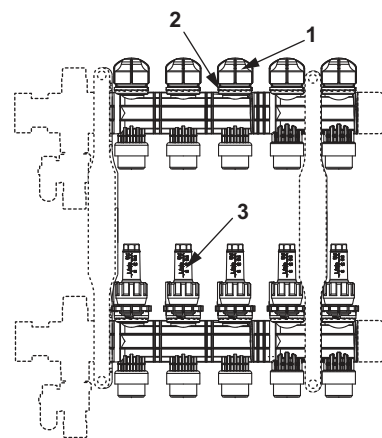
77390010 – TECEfloor plastic heating circuit manifold basic module

Pos.	Item No.	Designation	DU 1
1	77990053	Manifold holder set	1 pc.
2	77990038	Push-in thermometer for control station	1 pc.



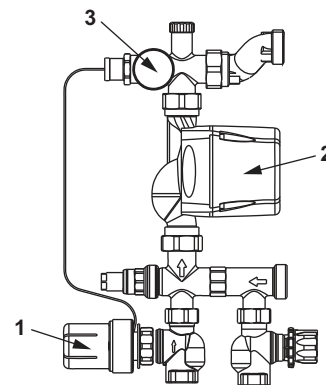
TECEfloor plastic heating circuit manifold connection module with flow rate indicator

Pos.	Item No.	Designation	DU 1
1	77990062	Return valve manual cap	1 pc.
2	77990017	Valve insert for plastic heating circuit manifold	1 pc.
3	77990016	Flow rate indicator for plastic heating circuit manifold	1 pc.



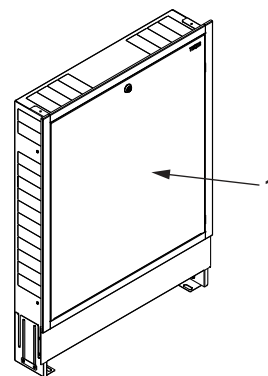
77450000 – TECEfloor fixed value control 20-55 °C

Pos.	Item No.	Designation	DU 1
1	77990036	Thermostat head with remote sensor for fixed value control	1 pc.
2	77990037	Circulating pump ES 15-60/130 mm for control station with pump	1 pc.
3	77990038	Push-in thermometer for control station	1 pc.



TECEfloor Comfort manifold cabinet UP 110

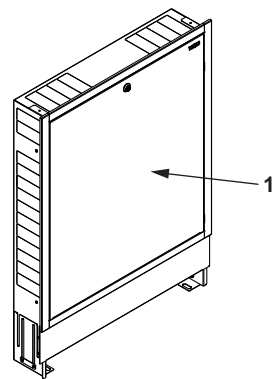
Pos.	Item No.	Designation	DU 1
1	77351701	Door for comfort flush-mounted cabinet, 400 mm	NEW 1 pc.
	77351702	Door for comfort flush-mounted cabinet, 540 mm	NEW 1 pc.
	77351703	Door for comfort flush-mounted cabinet, 690 mm	NEW 1 pc.
	77351704	Door for comfort flush-mounted cabinet, 840 mm	NEW 1 pc.
	77351705	Door for comfort flush-mounted cabinet, 990 mm	NEW 1 pc.
	77351706	Door for comfort flush-mounted cabinet, 1140 mm	NEW 1 pc.



TECEfloor – Spare parts

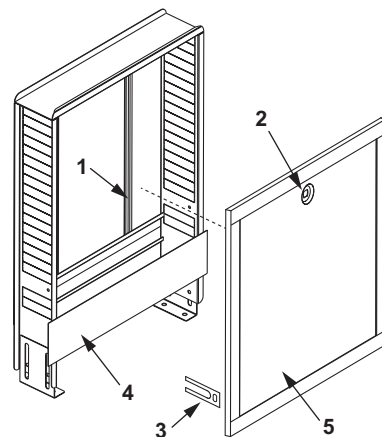
TECEfloor Comfort manifold cabinet UP 80

Pos.	Item No.	Designation	DU	1
1	77351702	Door for comfort flush-mounted cabinet, 540 mm	NEW	1 pc.
	77351703	Door for comfort flush-mounted cabinet, 690 mm	NEW	1 pc.
	77351704	Door for comfort flush-mounted cabinet, 840 mm	NEW	1 pc.
	77351705	Door for comfort flush-mounted cabinet, 990 mm	NEW	1 pc.



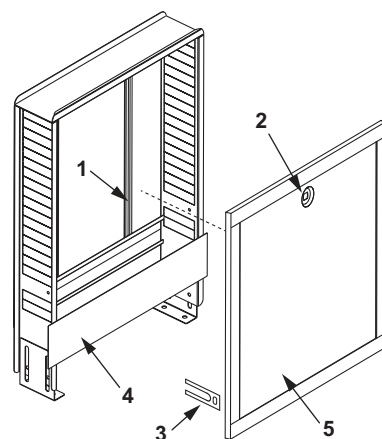
TECEfloor manifold cabinet 110 - flush-mounted

Pos.	Item No.	Designation	DU	1
1	77990040	Manifold mounting for concealed cabinets		1 pc.
2	77990012	Turning lock for manifold cabinet door		1 pc.
3	77990043	Insert tab for concealed cabinet trim		1 pc.
4	77990020	Screed panel for flush-mounted cabinet 400		1 pc.
	77990021	Screed panel for flush-mounted cabinet 540		1 pc.
	77990022	Screed panel for flush-mounted cabinet 690		1 pc.
	77990023	Screed panel for flush-mounted cabinet 840		1 pc.
	77990024	Screed panel for flush-mounted cabinet 990		1 pc.
	77990025	Screed panel for flush-mounted cabinet 1140		1 pc.
5	77990026	Frame/door for flush-mounted cabinet 400		1 pc.
	77990027	Frame/door for flush-mounted cabinet 540		1 pc.
	77990028	Frame/door for flush-mounted cabinet 690		1 pc.
	77990029	Frame/door for flush-mounted cabinet 840		1 pc.
	77990030	Frame/door for flush-mounted cabinet 990		1 pc.
	77990031	Frame/door for flush-mounted cabinet 1140		1 pc.



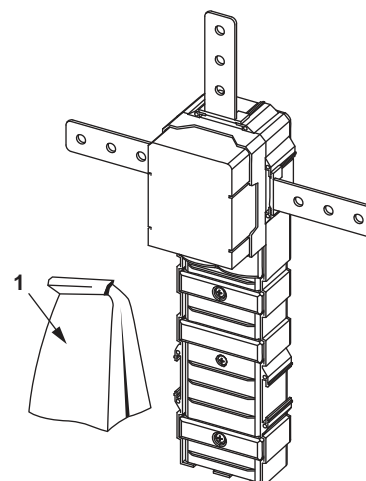
TECEfloor manifold cabinet 80 - flush-mounted

Pos.	Item No.	Designation	DU	1
1	77990040	Manifold mounting for concealed cabinets		1 pc.
2	77990012	Turning lock for manifold cabinet door		1 pc.
3	77990043	Insert tab for concealed cabinet trim		1 pc.
4	77990020	Screed panel for flush-mounted cabinet 400		1 pc.
	77990021	Screed panel for flush-mounted cabinet 540		1 pc.
	77990022	Screed panel for flush-mounted cabinet 690		1 pc.
	77990023	Screed panel for flush-mounted cabinet 840		1 pc.
	77990024	Screed panel for flush-mounted cabinet 990		1 pc.
	77990025	Screed panel for flush-mounted cabinet 1140		1 pc.
5	77990026	Frame/door for flush-mounted cabinet 400		1 pc.
	77990027	Frame/door for flush-mounted cabinet 540		1 pc.
	77990028	Frame/door for flush-mounted cabinet 690		1 pc.
	77990029	Frame/door for flush-mounted cabinet 840		1 pc.
	77990030	Frame/door for flush-mounted cabinet 990		1 pc.
	77990031	Frame/door for flush-mounted cabinet 1140		1 pc.



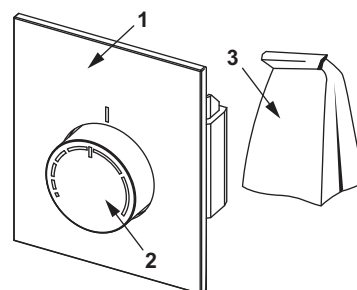
TECEfloor design RTL box shell set

Pos.	Item No.	Designation	DU 1
1	77990064	Accessory pack RTL box shell set	1 pc.



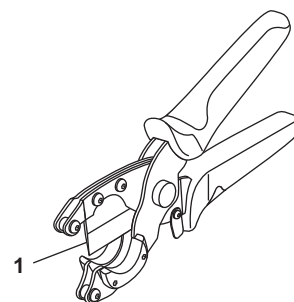
TECEfloor Design RTL box fine installation set

Pos.	Item No.	Designation	DU 1
1	77990067	Glass plate RTL box, black	1 pc.
	77990068	Glass plate RTL box, white	1 pc.
2	77990095	RTL box control button, knurled aluminium	1 pc.
3	77990065	Accessory pack RTL box fine installation set	1 pc.



8760002 – TECE pipe cutter

Pos.	Item No.	Designation	DU 1
1	8760003	Spare blade for pipe cutter	1 pc.





Item No.	DU 1	DU 2	DU 3	Page
700002	1	-	-	44
700004	1	-	-	44
700516	50	500	1000	12
700520	50	500	1000	12
700525	50	350	700	12
702016	120	1200	2400	12
702020	75	750	1500	12
702025	75	525	1050	12
704016	50	500	-	13
704020	50	500	-	13
704025	50	150	-	13
704801	10	-	-	25, 88, 102
704802	6	-	-	25, 88, 102
704803	10	500	-	25, 88, 103
704805	1	-	-	25, 89, 103
704808	10	500	-	45, 121
704809	10	30	-	25, 88, 103
704811	10	50	-	25, 88, 102
704812	10	50	-	25, 88, 102
704813	10	500	-	25, 88, 103
704814	10	500	-	45, 121
705102	10	100	-	14, 44
705103	10	100	-	14
705104	10	100	-	14
705105	10	100	-	14
705106	5	20	-	14
705107	5	20	-	14
705108	2	20	-	14
705109	2	10	-	14
705110	1	5	-	14
705601	10	100	-	14, 44
705602	10	100	-	14
705603	10	100	-	14
705604	10	100	-	14
705605	10	50	-	14
705606	10	50	-	14
705607	5	50	-	14
705608	5	50	-	14
705609	2	20	-	14
705610	2	10	-	14
705611	1	5	-	14
706216	10	100	-	14
706220	10	100	-	14
706225	10	50	-	14
706232	5	50	-	14
706240	2	20	-	14
706250	2	10	-	14
706263	1	5	-	14
706603	10	100	-	15
706604	10	50	-	15

Item No.	DU 1	DU 2	DU 3	Page
706605	10	50	-	15
706606	5	30	-	15
706607	5	30	-	15
706608	2	20	-	15
706609	2	10	-	15
706610	1	5	-	15
707165	2	10	-	16
707166	1	5	-	16
707167	10	40	-	16
707168	5	20	-	16
707169	2	20	-	16
707316	10	200	-	15
707320	10	100	-	15
707325	10	40	-	15
707332	5	40	-	15
707340	2	20	-	15
707350	2	10	-	15
707363	1	5	-	15
707801	10	80	-	16
707802	10	80	-	16
707803	10	60	-	16
707804	10	50	-	16
707805	10	50	-	16
707806	10	20	-	16
708100	10	150	-	16
708101	10	150	-	16
708102	10	150	-	16
708103	10	50	-	16
708104	10	40	-	16
708105	5	20	-	16
708106	2	10	-	16
708107	2	10	-	16
708606	10	30	-	21
708607	10	30	-	21
708608	10	30	-	21
708610	10	100	-	20, 44
708611	10	50	-	20
708612	10	30	-	20
708613	10	20	-	20
708614	10	20	-	20
708625	10	30	-	21
708626	10	30	-	21
708628	10	30	-	21
708630	10	100	-	19
708631	10	100	-	19
708632	10	50	-	19
708633	10	50	-	20
708705	10	20	-	21
708706	10	40	-	22
709801	10	60	-	17

Quick search

Article quick search

Item No.		DU 1	DU 2	DU 3	Page
709802		10	40	-	17
709803		10	30	-	17
709804		10	20	-	17
709805		5	20	-	17
709806		1	10	-	17
709807		1	10	-	17
709808		1	5	-	17
709809		1	10	-	17
709810		1	10	-	17
709811		1	5	-	17
710116		10	150	-	17
710120		10	80	-	17
710125		10	40	-	17
710132		5	20	-	17
710140		2	10	-	17
710150		1	5	-	17
710163		1	5	-	17
710601		10	50	-	18
710602		10	50	-	18
710603		10	100	-	18
710604		10	100	-	18
710605		10	40	-	18
710606		10	30	-	18
710607		10	30	-	18
710608		10	20	-	18
710609		10	40	-	18
710610		5	40	-	18
710611		5	30	-	18
710612		5	30	-	18
710613		5	30	-	18
710614		2	20	-	18
710615		2	20	-	18
710616		2	8	-	18
710617		2	20	-	18
710618		1	5	-	18
710619		1	5	-	18
710620		1	5	-	18
710621		1	5	-	18
710622		1	5	-	18
710623		1	5	-	18
712201		1	12	-	34
712202		1	12	-	34
712540		1	-	-	33, 111
712541		1	-	-	33, 111
712542		1	-	-	33, 111
712543		1	-	-	33, 111
712544		1	-	-	33, 111
712545		1	-	-	33, 111
712546		1	-	-	33, 111
712547		1	-	-	33, 111

Item No.		DU 1	DU 2	DU 3	Page
712548		1	-	-	33, 111
712549		1	-	-	33, 111
712550		1	-	-	33, 111
712551		1	-	-	34, 112
712552		1	-	-	34, 112
712553		1	-	-	34, 112
712554		1	-	-	34, 112
712555		1	-	-	34, 112
712556		1	-	-	34, 112
712557		1	-	-	34, 112
712558		1	-	-	34, 112
712559		1	-	-	34, 112
712560		1	-	-	34, 112
712561		1	-	-	34, 112
712562		1	-	-	34, 112
713014		10	100	-	30
713020		10	100	-	30
713314		10	100	-	31
713316		10	100	-	31
713320		10	100	-	31
713516		10	100	-	30
713805		10	100	-	31
713806		10	100	-	31
713816		5	100	-	22
713914		10	150	-	22
713916		10	150	-	22
713920		10	100	-	22
713925		10	50	-	22
713932		5	40	-	22
714014		10	50	-	27
714016		10	50	-	27
714020		10	50	-	27
714516		6	60	-	27
714901		1	10	-	27
714905		1	10	-	27
714907		1	5	-	28
715016		10	60	-	27
715020		10	50	-	27
716116		1	5	-	28
716316		10	150	-	22
716320		10	100	-	22
716321		10	100	-	22
716325		10	50	-	22
716332		10	50	-	22
716350		10	100	-	22
716351		10	100	-	22
716352		10	50	-	22
717501		10	150	-	28, 92, 107
717601		10	100	-	19
717602		10	100	-	19

Item No.		DU 1	DU 2	DU 3	Page
717603		5	100	-	19
717604		5	50	-	19
717605		5	50	-	19
717606		5	30	-	19
717607		1	25	-	19
717608		1	15	-	19
718017		10	40	-	24, 87, 102
718020		1	10	-	28
718022		10	40	-	24, 87, 102
718024		10	40	-	24, 87, 102
718026		10	100	-	24, 88, 102
718031		10	40	-	24, 87, 102
718501		1	10	-	28
718502		1	10	-	28
718503		1	10	-	28
720005		1	-	-	43
720040		10	100	-	43
720041		1	20	-	45, 47
720042		1	20	-	45, 47
720043		1	20	-	45, 47
720045		1	20	-	45, 47
720046		1	20	-	45, 47
720048		1	-	-	46
720050		1	-	-	40
720056		1	-	-	40
720060		1	-	-	46
720061		1	20	-	46
720062		1	20	-	46
720063		1	20	-	46
720064		1	50	-	46
720066		1	-	-	46
720067		1	-	-	46
720069		1	-	-	46
720072		1	-	-	46
720079		1	20	-	46
720090		1	-	-	43
720091		1	-	-	46
720093		1	-	-	43
720095		1	-	-	45
720096		1	-	-	46
720097		1	-	-	46
720102		1	-	-	46
720110		1	-	-	46
720115		1	-	-	46
720128		1	-	-	42
720150		1	-	-	46
720153		1	-	-	46
720156		1	-	-	46
720157		1	-	-	46
720158		1	-	-	46

Item No.		DU 1	DU 2	DU 3	Page
720160		1	-	-	46
720161		1	-	-	46
720162		1	-	-	46
720165		1	-	-	46
720166		1	-	-	46
720167		1	-	-	46
720168		1	-	-	46
720169		1	-	-	46
720170		1	-	-	42
720172		1	-	-	41
720173		1	-	-	41
720174		1	-	-	41
720175		1	-	-	47
720179		1	-	-	47
720193		1	-	-	43, 119, 195
720194		1	-	-	43, 119
720202		1	-	-	45, 46
720203		1	-	-	40
720204		1	-	-	40
720205		1	-	-	47
720206		1	-	-	47
720207		1	-	-	47
720208		1	-	-	47
720209		1	-	-	47, 122
720210		1	-	-	47, 122
720211		1	-	-	47, 122
720212		1	-	-	47
720213		1	-	-	48
720214		1	-	-	48
720215		1	-	-	48
720216		1	-	-	48
720217		1	-	-	48
720218		1	-	-	48
720219		1	-	-	48
720220		1	-	-	48
720221		1	-	-	48
720222		1	-	-	42, 118
720223		1	-	-	42, 118
720524		100	3000	-	26, 89, 104
720527		10	80	-	26, 89, 103
720528		5	20	-	26, 89, 103
720550		5	25	-	24
720565		1	10	-	23
720567		1	10	-	23
720568		1	10	-	23
720569		1	10	-	24
720579		12.5	225	-	39, 90, 105
720580		1	10	-	38
720581		1	10	-	38
720582		1	10	-	38

Article quick search

Item No.		DU 1	DU 2	DU 3	Page
720583		1	10	-	38
720584		1	10	-	39
720590		10	100	-	20
720591		10	150	-	17
720592		10	100	-	18
720593		10	200	-	15
720594		10	100	-	14
720595		10	100	-	15
721005		5	25	-	26, 89, 103
721009		1	10	-	23
730010		1	25	-	27, 106
730025		1	20	-	28, 107
730110		1	10	-	30
730115		1	10	-	30
730120		1	10	-	30
730125		1	10	-	30
730130		1	10	-	30
730135		1	10	-	30
730504		10	50	-	18
730508		10	50	-	18
730509		10	100	-	18
730511		10	100	-	18
730514		10	30	-	18
730515		10	20	-	18
730516		10	40	-	18
730519		5	30	-	18
730520		5	30	-	18
730521		10	40	-	18
730522		10	30	-	18
730523		5	30	-	18
730524		2	8	-	18
730525		2	20	-	18
730533		2	20	-	18
730536		2	20	-	18
730537		5	40	-	18
730544		10	40	-	18
730616		10	200	-	20
730620		10	200	-	20
730916		10	150	-	17, 44
730920		10	80	-	17
730925		10	40	-	17
730932		5	20	-	17
730940		2	10	-	17
731014	SALE	75	525	1050	8
731016		75	525	1050	8
731020		50	350	700	8
731025		25	175	350	8
731116		75	300	600	9
731120		75	300	600	9
731125		50	200	400	9

Item No.		DU 1	DU 2	DU 3	Page
731316		75	300	600	9
731320		75	300	600	9
731325		50	200	400	9
731616		75	225	450	10
731620		75	225	450	10
731625		50	150	300	10
731916		50	150	300	10
731920		50	150	300	10
731925		25	100	200	10
732014	SALE	120	1200	2400	8
732016		100	1000	2000	8
732020		100	700	1400	8
732025		50	250	500	8
732032		25	125	250	8
732116		75	225	450	10
732120		75	225	450	10
732125		50	150	300	10
732216		100	-	-	8
732220		70	-	-	8
732225		45	-	-	8
732232		30	-	-	8
732240		15	-	-	8
732250		15	-	-	8
732263		5	-	-	8
732316		100	1000	2000	11, 36
732320		100	700	1400	11, 36
732325		50	250	500	11, 36
732330		25	250	-	11, 36
732331		25	250	-	11, 36
732332		25	250	-	11, 36
732416		100	-	-	11, 36
732420		70	-	-	11, 36
732425		45	-	-	11, 36
732432		30	-	-	11, 36
732440		15	-	-	11, 36
732450		15	-	-	11, 36
732463		5	-	-	11, 36
732616	NEW	25	50	100	10
732620	NEW	25	50	100	10
732625	NEW	25	50	100	10
734514	SALE	50	750	-	13
734516		50	500	32000	13, 44
734520		50	500	32000	13
734525		50	250	16000	13
734532		25	100	-	13
734540		15	60	-	13
734550		10	50	-	13
734563		5	20	-	13
736016		10	100	-	14, 44
736020		10	100	-	14

Quick search

Item No.	DU 1	DU 2	DU 3	Page
736025	10	50	-	14
736032	5	50	-	14
736040	2	20	-	14
736503	10	100	-	15
736504	10	50	-	15
736505	10	50	-	15
736506	5	30	-	15
736507	5	30	-	15
736508	2	20	-	15
737016	10	200	-	15, 44
737020	10	100	-	15
737025	10	40	-	15
737032	5	40	-	15
737040	2	20	-	15
750202	1	10	-	37
750204	1	10	-	37
750206	1	10	-	37
750208	1	10	-	37
750210	1	10	-	37
751016	1	10	-	32
751020	1	10	-	32
751116	1	10	-	32
751120	1	10	-	32
760016	10	150	-	17, 44
760020	10	80	-	17
760025	10	40	-	17
760032	5	20	-	17
760040	2	10	-	17
760504	10	50	-	18
760508	10	50	-	18
760509	10	100	-	18
760511	10	100	-	18
760514	10	30	-	18
760515	10	20	-	18
760516	10	40	-	18
760517	5	30	-	18
760518	5	40	-	18
760519	5	30	-	18
760520	5	30	-	18
760521	10	40	-	18
760522	10	30	-	18
760523	5	30	-	18
760524	2	8	-	18
760525	2	20	-	18
760526	1	5	-	18
760529	5	20	-	18
760533	2	20	-	18
760534	1	5	-	18
760536	2	20	-	18
760537	5	40	-	18

Item No.	DU 1	DU 2	DU 3	Page
760543	2	20	-	18
760544	10	40	-	18
762201	1	12	-	34
762202	1	12	-	34
763616	10	100	-	31
763620	10	100	-	31
765002	10	100	-	14, 44
765003	10	100	-	14
765004	10	100	-	14
765007	10	100	-	14
765008	5	20	-	14
765009	5	20	-	14
765010	2	20	-	14
765116	10	200	-	20
765120	10	200	-	20
765130	1	10	-	23
765502	10	100	-	14, 44
765503	10	100	-	14
765504	10	100	-	14
765506	10	100	-	14
765507	10	50	-	14
765508	10	50	-	14
765509	5	50	-	14
765510	5	50	-	14
765511	2	20	-	14
765512	2	10	-	14
765513	1	5	-	14
765514	10	100	-	14
766016	10	100	-	14, 44
766020	10	100	-	14
766025	10	50	-	14
766032	5	50	-	14
766040	2	20	-	14
766050	2	10	-	14
766063	1	5	-	14
766503	10	100	-	15
766504	10	50	-	15
766505	10	50	-	15
766506	5	30	-	15
766507	5	30	-	15
766508	2	20	-	15
766509	2	10	-	15
767016	10	200	-	15, 44
767020	10	100	-	15
767025	10	40	-	15
767032	5	40	-	15
767040	2	20	-	15
767050	2	10	-	15
767063	1	5	-	15
767125	10	40	-	16

Quick search

Article quick search

Item No.		DU 1	DU 2	DU 3	Page
767132		5	20	-	16
767140		2	20	-	16
767501		10	60	-	16
767516		10	80	-	16
767520		10	80	-	16
767525		10	50	-	16
767526		10	50	-	16
767532		10	20	-	16
767570		10	100	-	19
767572		5	100	-	19
767573		5	50	-	19
767574		5	50	-	19
767575		10	100	-	19
767576		5	50	-	19
767578		10	100	-	19
767579		5	100	-	19
767581		5	30	-	19
767590		10	100	-	19
767591		10	100	-	19
767592		10	40	-	19
768002		10	50	-	16
768016		10	150	-	16
768020		10	150	-	16
768025		10	40	-	16
768032		5	20	-	16
768501		10	30	-	21
768502		10	20	-	20
768503		10	100	-	20
768516		10	100	-	20, 44
768520		10	50	-	20
768525		10	30	-	20
768526		10	20	-	20
769516		10	60	-	17
769520		10	40	-	17
769522		10	30	-	17
769525		10	20	-	17
769527		5	20	-	17
769532		5	20	-	17
769534		1	10	-	17
769540		1	10	-	17
782016		50	500	-	11, 37
782020		50	350	-	11, 37
782025		25	150	-	11, 37
782032		25	125	-	11, 36
782033		25	250	-	11, 36
782103		75	525	-	9
782104		75	525	-	9
782105		50	350	-	9
782106		50	350	-	9
785036		100	2000	-	39, 115

Item No.		DU 1	DU 2	DU 3	Page
785037		100	2000	-	39, 115
785038		50	1000	-	39, 115
785039		50	1000	-	39, 115
785040		50	1000	-	39, 115
785041		25	250	-	39, 115
7136161		10	100	-	31
7136201		10	200	-	31
8610002		10	100	-	94, 120
8610003		10	100	-	94
8610004		10	80	-	94, 120
8610005		10	50	-	94
8610006		5	50	-	94
8610007		1	20	-	94
8610008		1	20	-	94
8610009		1	8	-	94
8610100		10	100	-	94
8610102		10	100	-	94
8610103		10	100	-	94
8610104		10	80	-	94
8610105		10	50	-	94
8610106		10	50	-	94
8610107		10	50	-	94
8610108		10	100	-	109
8610109		10	50	-	109
8610116		1	20	-	94
8610117		1	20	-	94
8610118		1	8	-	94
8610202		10	100	-	96
8610203		10	100	-	96
8610204		10	80	-	96
8610205		10	50	-	96
8610206		1	20	-	96
8610302		10	100	-	96
8610303		10	80	-	96
8610304		10	80	-	96
8610305		10	50	-	96
8610306		10	50	-	96
8610312		1	20	-	96
8610402		10	80	-	97
8610403		10	50	-	97
8610404		10	40	-	97
8610406		1	8	-	97
8610408		1	8	-	97
8610410		1	4	-	97
8611205		10	80	-	109
8611210		10	80	-	109
8611211		10	80	-	109
8611212		10	80	-	109
8620002		10	80	-	99, 120
8620003		10	60	-	99

Item No.		DU 1	DU 2	DU 3	Page
8620007		10	40	-	99
8620008		10	50	-	100
8620009		10	40	-	100
8620100		1	5	-	104
8620103		1	5	-	105
8630002		1	20	-	113
8630003		1	20	-	113
8630200		5	80	-	98
8630201		5	80	-	98
8630202		5	80	-	98
8630203		5	50	-	98
8630204		5	50	-	98
8630205		1	20	-	98
8630207		1	20	-	98
8640001		10	50	-	109
8700140		15	-	-	78
8700150		15	-	-	78
8700163		5	-	-	78
8702016		75	225	450	79
8702020		75	225	450	79
8702025		50	150	300	79
8702116		75	300	600	79
8702120		75	300	600	79
8702125		50	200	400	79
8702216		50	150	300	80
8702220		50	150	300	80
8702225		25	100	300	80
8702416		75	225	450	80
8702420		75	225	450	80
8702425		50	150	300	80
8702516		75	300	600	79
8702520		75	300	600	79
8702525		50	200	400	79
8702616	NEW	25	50	100	80
8702620	NEW	25	50	100	80
8702625	NEW	25	50	100	80
8705016		100	1000	2000	78
8705020		100	700	1400	78
8705025		50	350	700	78
8705116		100	-	-	78
8705120		70	-	-	78
8705125		45	-	-	78
8705132		30	-	-	78
8705216		75	525	1050	78
8705220		50	350	700	78
8705225		25	175	350	78
8705232	NEW	25	125	250	78
8709016		75	525	1050	78
8709017		75	525	1050	79
8709020		50	350	700	78

Item No.		DU 1	DU 2	DU 3	Page
8709021		50	350	700	79
8710102		10	100	-	120
8710105		10	50	-	120
8710516		10	80	-	95
8710520		10	80	-	95
8710525		10	80	-	95
8710532		1	20	-	95
8710540		1	20	-	95
8710550		1	8	-	95
8710563		1	4	-	95
8710616		10	80	-	95, 120
8710620		10	80	-	95, 120
8710625		10	80	-	95, 120
8710632		1	20	-	95
8710633		1	20	-	95
8710640		1	20	-	95
8710650		1	8	-	95
8710663		1	4	-	95
8710716		10	100	-	95, 120
8710720		10	50	-	95, 120
8710725		10	40	-	95, 120
8710732		1	20	-	95
8710740		1	8	-	95
8710750		1	4	-	95
8710763		1	4	-	95
8710817		10	50	-	98
8710821		10	50	-	98
8710916		10	40	-	97, 120
8710920		10	40	-	97, 120
8710925		10	40	-	97, 120
8710932		1	8	-	97
8710940		1	8	-	97
8710950		1	4	-	97
8710963		1	4	-	97
8711004		10	40	-	97, 120
8711005		10	40	-	97, 120
8711006		10	40	-	97, 120
8711007		10	40	-	97
8711008		10	40	-	97, 120
8711009		10	40	-	97
8711010		10	40	-	97, 120
8711011		10	40	-	97
8711012		1	8	-	97
8711013		1	8	-	97
8711014		1	8	-	97
8711015		1	8	-	97
8711017		1	8	-	97
8711018		1	8	-	97
8711019		1	8	-	97
8711020		1	4	-	97

Quick search

Article quick search

Item No.	DU 1	DU 2	DU 3	Page
8711021	1	4	-	97
8711022	1	4	-	97
8711023	1	4	-	97
8711116	10	100	-	95
8711120	10	50	-	95
8711125	10	40	-	95
8711206	10	100	-	110
8711207	10	100	-	110
8711225	10	40	-	96
8711232	5	20	-	96
8711240	2	20	-	96
8711250	2	10	-	96
8711263	1	5	-	96
8713002	10	100	-	94, 120
8713003	10	100	-	94
8713004	10	80	-	94
8713005	10	50	-	94
8713006	5	50	-	94
8713007	1	20	-	94
8713008	1	20	-	94
8713009	1	8	-	94
8713010	1	4	-	94
8713102	10	100	-	94, 120
8713103	10	100	-	94
8713104	10	80	-	94
8713105	10	50	-	94
8713106	10	50	-	94
8713107	10	50	-	94
8713108	1	20	-	94
8713109	1	20	-	94
8713110	1	8	-	94
8713111	1	4	-	94
8713202	10	100	-	96
8713203	10	100	-	96
8713204	10	80	-	96
8713205	10	50	-	96
8713206	1	20	-	96
8713302	10	100	-	96
8713303	10	80	-	96
8713304	10	80	-	96
8713305	10	50	-	96
8713306	10	50	-	96
8713307	1	20	-	96
8713402	10	80	-	97
8713403	10	50	-	97
8713404	10	40	-	97
8713405	1	8	-	97
8713406	1	8	-	97
8713407	1	4	-	97
8713408	1	4	-	97

Item No.	DU 1	DU 2	DU 3	Page
8723002	10	80	-	99, 120
8723003	10	60	-	99
8723004	10	60	-	99
8723008	10	50	-	100
8723009	10	40	-	100
8723011	10	40	-	99
8723012	10	40	-	100
8723013	10	40	-	100
8723014	10	40	-	99
8723100	1	5	-	104
8723101	1	5	-	104
8723102	1	5	-	104
8730006	1	24	-	35, 113
8730007	1	24	-	35, 113
8730008	1	24	-	112
8730009	1	24	-	112
8730010	1	24	-	35, 113
8730011	1	24	-	35, 113
8730014	1	25	-	35, 113
8730028	1	50	-	100
8730032	10	200	-	101
8730040	1	12	-	35, 113
8730050	10	50	-	101
8730100	10	100	-	98
8730101	10	100	-	98
8730102	10	50	-	98
8730215	5	80	-	98
8730216	5	80	-	98
8730310	10	50	-	98
8733002	1	20	-	113
8733003	1	20	-	113
8733201	5	80	-	98
8733202	5	80	-	98
8733203	5	50	-	98
8733204	5	50	-	98
8733205	1	20	-	98
8740216	10	200	-	92, 109
8740220	10	200	-	92, 109
8740401	10	50	-	106
8740402	10	50	-	106
8740403	10	40	-	106
8740404	10	40	-	106
8740405	1	5	-	106
8740406	1	5	-	106
8740421	1	10	-	108
8740422	1	10	-	108
8740423	1	10	-	108
8740424	1	10	-	108
8740431	1	20	-	29, 107
8740432	1	20	-	29, 107

Item No.		DU 1	DU 2	DU 3	Page
8740433		1	20	-	29, 107
8740434		1	20	-	29, 108
8740435		1	10	-	29, 108
8740436		1	10	-	30, 108
8740437		1	10	-	30, 108
8740438		1	10	-	30, 108
8740439		2	100	-	31, 109
8740440		10	100	-	31, 110, 160
8740461		1	75	-	29, 107
8740463		1	20	-	29, 107
8740550		1	5	-	92, 109
8760000		1	-	-	117, 120
8760001		1	-	-	116, 120
8760002		1	-	-	117, 120, 194
8760003		1	-	-	122, 199
8760005		1	-	-	117
8760006		1	-	-	119
8760007		1	-	-	116
8760008		1	-	-	43, 118
8760009		1	-	-	48, 122
8760010		1	-	-	116
8760011		1	-	-	118
8760016		1	-	-	117, 120
8760020		1	-	-	117
8760025		1	-	-	117
8760032		1	-	-	117
8760040		1	-	-	117
8760050		1	-	-	117
8760063		1	-	-	117
8760103		1	-	-	117, 120
8760125		1	-	-	117
8760132		1	-	-	117
8760140		1	-	-	117
8760150		1	-	-	117
8760163		1	-	-	117
8760316		1	-	-	118
8760320		1	-	-	118
8760325		1	-	-	118
8760416		1	-	-	118, 120
8760420		1	-	-	118
8760425		1	-	-	118
8760432		1	-	-	118
8760440		1	-	-	118
8760450		1	-	-	118
8760463		1	-	-	118
8780000		1	100	-	45, 121
8780016		1	10	-	114
8780020		1	10	-	114
8780100		1	100	-	45, 121
8780116		1	10	-	114

Item No.		DU 1	DU 2	DU 3	Page
8780120		1	10	-	114
8780200		1	20	-	32, 114
8790002		1	-	-	120
8790003		1	-	-	120
8790116		10	500	-	121, 123
8790120		10	500	-	121, 123
8790125		10	500	-	123
8790132		10	500	-	123
8790140		10	500	-	123
8790150		10	500	-	123
8790163		10	500	-	123
8790201		10	100	-	121
8790202		10	100	-	121
8802001		10	100	-	81
8802002		10	100	-	81
8802003		10	80	-	81
8802004		10	50	-	81
8802005		5	50	-	81
8802006		5	20	-	81
8802101		10	100	-	81
8802102		10	100	-	81
8802103		10	80	-	81
8802104		10	50	-	81
8802105		10	50	-	81
8802106		10	50	-	81
8802107		5	20	-	81
8802216		10	80	-	81
8802220		10	80	-	81
8802225		10	80	-	81
8802232		5	20	-	81
8802301		10	80	-	82
8802302		10	80	-	82
8802303		10	80	-	82
8802304		5	20	-	82
8802305		5	20	-	82
8802416		10	100	-	82
8802420		10	50	-	82
8802425		10	40	-	82
8802432		5	20	-	82
8802501		10	40	-	82
8802502		5	20	-	82
8802601		10	100	-	82
8802602		10	100	-	82
8802603		10	80	-	82
8802604		10	50	-	82
8802605		5	20	-	82
8802701		10	100	-	83
8802702		10	80	-	83
8802703		10	80	-	83
8802704		10	50	-	83

Article quick search

Item No.	DU 1	DU 2	DU 3	Page
8802705	10	50	-	83
8802706	10	20	-	83
8802801	10	80	-	83
8802802	10	50	-	83
8802803	10	40	-	83
8802804	5	10	-	83
8802916	10	40	-	83
8802920	10	40	-	83
8802925	10	40	-	83
8802932	5	10	-	83
8803001	10	40	-	84
8803002	10	40	-	84
8803003	10	40	-	84
8803004	10	40	-	84
8803005	10	40	-	84
8803006	10	40	-	84
8803007	10	40	-	84
8803008	10	40	-	84
8803009	10	40	-	84
8803010	5	10	-	84
8803011	5	10	-	84
8803012	5	10	-	84
8803013	5	10	-	84
8803116	10	50	-	84
8803120	10	50	-	84
8803201	10	100	-	86
8803202	10	100	-	86
8803203	10	100	-	86
8803204	10	50	-	86
8803205	10	50	-	86
8803301	10	80	-	84
8803302	10	80	-	84
8803303	5	50	-	84
8803304	5	50	-	84
8803305	5	50	-	84
8803306	5	20	-	84
8803307	1	20	-	84
8803308	1	20	-	84
8803401	10	80	-	85
8803402	10	60	-	85
8803403	10	30	-	85
8803501	10	50	-	86
8803502	10	80	-	85
8803701	10	40	-	85
8803702	10	40	-	85
8803801	10	30	-	85
8803802	10	30	-	85
8803901	10	40	-	86
8804001	1	5	-	87
8804002	1	5	-	87

Item No.	DU 1	DU 2	DU 3	Page
8804003	1	5	-	87
8804004	1	5	-	87
8804351	10	100	-	86
8804352	10	100	-	86
8804353	10	50	-	86
8804616	10	100	-	84
8804620	10	100	-	84
8804801	10	100	-	85
8804802	10	100	-	85
8809800	1	-	-	116
8809801	1	-	-	116
8809802	1	-	-	116
8809803	1	-	-	116
8809804	1	-	-	122
8809805	1	-	-	122
8809806	1	-	-	121
8809807	1	-	-	122
8809816	1	10	-	123
8809820	1	10	-	123
8809825	1	10	-	123
8809832	1	10	-	123
8809916	10	50	-	123
8809920	10	50	-	123
8809925	5	25	-	123
8809932	5	25	-	123
8832216	10	80	-	81
8832220	10	80	-	81
8832225	10	80	-	81
8832232	5	20	-	81
8832301	10	80	-	82
8832302	10	80	-	82
8832303	10	80	-	82
8832304	5	20	-	82
8832305	5	20	-	82
8832416	10	100	-	82
8832420	10	50	-	82
8832425	10	40	-	82
8832432	5	20	-	82
8832916	10	40	-	83
8832920	10	40	-	83
8832925	10	40	-	83
8832932	5	10	-	83
8833001	10	40	-	84
8833002	10	40	-	84
8833003	10	40	-	84
8833004	10	40	-	84
8833005	10	40	-	84
8833006	10	40	-	84
8833007	10	40	-	84
8833008	10	40	-	84

Item No.		DU 1	DU 2	DU 3	Page
8833009		10	40	-	84
8833010		5	10	-	84
8833011		5	10	-	84
8833012		5	10	-	84
8833013		5	10	-	84
8864101		1	10	-	91
8864102		1	10	-	91
8864103		1	10	-	91
8864201		10	50	-	91
8864202		10	50	-	91
8864203		10	40	-	91
8864204		10	40	-	91
8864205		1	5	-	91
8864206		1	5	-	91
77111220		200	2000	4000	158
77111612		120	1200	2400	158
77111630		300	1200	2400	158
77111632	NEW	300	1200	2400	158
77111660		600	1200	2400	158
77111662	NEW	600	1200	2400	158
77111730		300	1200	2400	158
77111756		560	1120	2240	158
77112030		300	900	1800	158
77112060		600	2400	-	158
77112540		400	2000	-	158
77131612		120	1200	2400	159
77131630		300	1500	3000	159
77131660		600	1200	2400	159
77131712		120	840	1680	159
77131730		300	1200	2400	159
77131756		560	1120	2240	159
77132030		300	900	1800	159
77132061		600	2400	-	159
77151612		120	1200	2400	158
77151630		300	1500	3000	158
77151660		600	1200	2400	158
77171630		300	1200	2400	159
77171660		600	1200	2400	159
77171730		300	1200	2400	159
77171760		600	1200	2400	159
77172060		600	1200	2400	159
77211200		10	200	-	160
77211600		10	200	-	160
77211700		10	200	-	160
77212000		10	200	-	160
77220015		1	10	100	161
77220016		1	10	100	161
77220017		1	10	100	161
77220020		1	10	100	161
77220025		1	10	100	161

Item No.		DU 1	DU 2	DU 3	Page
77220034		10	100	-	160
77220035		1	50	-	160
77230016		2	100	-	161
77230017	SALE	1	80	-	162
77300001		1	10	-	195
77310002		1	-	-	173
77310003		1	-	-	173
77310004		1	-	-	173
77310005		1	-	-	173
77310006		1	-	-	173
77310007		1	-	-	173
77310008		1	-	-	173
77310009		1	-	-	173
77310010		1	-	-	173
77310011		1	-	-	173
77310012		1	-	-	173
77310022		1	-	-	173
77310023		1	-	-	173
77311102		1	-	-	174
77311103		1	-	-	174
77311104		1	-	-	174
77311105		1	-	-	174
77311106		1	-	-	174
77311107		1	-	-	174
77311108		1	-	-	174
77311109		1	-	-	174
77311110		1	-	-	174
77311111		1	-	-	174
77311112		1	-	-	174
77351501		1	26	-	180
77351502		1	22	-	180
77351503		1	15	-	180
77351504		1	13	-	180
77351505		1	12	-	180
77351506		1	11	-	180
77351602		1	26	-	181
77351603		1	19	-	181
77351604		1	17	-	181
77351605		1	14	-	181
77351701	NEW	1	-	-	197
77351702	NEW	1	-	-	197, 198
77351703	NEW	1	-	-	197, 198
77351704	NEW	1	-	-	197, 198
77351705	NEW	1	-	-	197, 198
77351706	NEW	1	-	-	197
77351802		1	27	-	182
77351803		1	18	-	182
77351804		1	16	-	182
77351805		1	13	-	182
77381001		1	20	-	175

Quick search

Article quick search

Item No.		DU 1	DU 2	DU 3	Page
77381002		1	20	-	175
77381003		1	16	-	175
77381006		1	-	-	178
77381008		1	-	-	175
77381009		1	20	-	175
77382005		1	10	-	176
77383001		1	-	-	176
77383002		1	-	-	176
77390010		1	-	-	174
77390012		1	10	-	176
77390020		1	-	-	175
77390030		1	-	-	175
77390040		1	-	-	175
77390110		1	-	-	176
77390113	SALE	1	-	-	177
77390114		1	10	-	177
77390116	NEW	1	120	-	177
77390117	NEW	1	80	-	177
77390120		1	-	-	177
77390130		1	-	-	177
77410030		1	-	-	185
77410031		1	-	-	185
77410032		1	-	-	185
77410033		1	-	-	185
77410034		1	-	-	186
77410035		1	-	-	186
77410036		1	-	-	186
77410037		1	-	-	186
77410039		1	-	-	186
77410041		1	-	-	186
77410043		1	-	-	186
77410045		1	-	-	186
77410050		1	-	-	187
77410051		1	54	-	185
77410052		13	260	-	186
77420050		1	24	-	189
77420051		1	24	-	188
77420052		1	24	-	188
77420053		1	24	-	188
77420055		1	24	-	189
77420060		1	17	-	191
77420061		1	17	-	191
77420064		1	6	-	190
77420065		1	6	-	190
77420066		1	6	-	190
77420070		1	40	-	191
77420071		1	40	-	192
77420072		1	17	-	191
77420073		1	34	-	192
77420074		1	150	-	192

Item No.		DU 1	DU 2	DU 3	Page
77420075		1	112	-	192
77430028		1	-	-	187
77430029		1	-	-	187
77430030		1	-	-	187
77430031		1	-	-	187
77430032		1	-	-	187
77430033		1	-	-	187
77430040		1	-	-	187
77450000		1	-	-	178
77450005		1	-	-	179
77450010		1	-	-	178
77450011		1	-	-	179
77460003		1	-	-	183
77460004		1	-	-	183
77460005		1	-	-	183
77460006		1	24	-	183
77460007		1	-	-	184
77470005		1	-	-	185
77470010		1	-	-	184
77470020		1	-	-	184
77470021		1	-	-	184
77470025		1	-	-	185
77470026		1	10	-	185
77490017		1	8	-	192
77490021		1	-	-	193
77490022		1	8	-	192
77510010		9.6	57.6	-	166
77510020		9.6	115.2	-	166
77510021		10	-	-	166
77510030		16.8	201.6	-	166
77510031		10	-	-	166
77520001		9	117	-	167
77520002		4.5	117	-	167
77520003		10	630	-	167
77520006		8.625	60.375	-	169
77520007		50	500	-	169
77520008		50	500	-	169
77520018		6.9	138	-	168
77520019		120	-	-	168
77520020		10	-	-	168
77520021		1	-	-	169
77520026		1	-	-	169
77520027	NEW	1	-	-	169
77531500		10	60	-	163
77531520		10	60	-	163
77531530	SALE	23.04	69.12	207.36	165
77531533	NEW	26	52	208	165
77531541	NEW	30	180	-	163
77570009		32	896	-	171
77570010		10	100	1500	171

Item No.	DU 1	DU 2	DU 3	Page
77570015	10	100	1500	171
77570025	32	800	-	171
77600010	1	36	-	163
77600020	1	-	-	163
77610001	1	-	-	164
77610010	200	4000	80000	164
77610016	300	6000	144000	164
77610023	300	78000	-	164
77610024	1	-	-	164
77610025	450	9000	-	165
77610026	1	-	-	165
77610027	450	9000	-	165
77611000	1000	-	-	170
77611001	1	10	-	170
77611020	1000	-	-	170
77612010	200	800	-	171
77612020	100	2000	-	171
77620012	160	960	-	171
77630010	18	-	-	172
77630025	10	50	-	171
77660012	75	-	-	172
77910010	25	200	-	39, 89, 104, 194
77910011	25	100	-	39, 89, 104, 194
77910012	25	100	-	39, 89, 104, 194
77911016	50	1300	-	172
77911020	50	600	-	172
77920001	1	-	-	194
77920010	1	50	-	194
77920020	1	-	-	195
77920040	1	-	-	194
77920041	1	-	-	194
77921700	1	-	-	195
77922000	1	-	-	195
77922500	1	-	-	195
77990012	1	-	-	198
77990016	1	10	-	197
77990017	1	10	-	197
77990020	1	20	-	198
77990021	1	20	-	198
77990022	1	20	-	198
77990023	1	20	-	198
77990024	1	20	-	198
77990025	1	20	-	198
77990026	1	-	-	198
77990027	1	-	-	198
77990028	1	-	-	198
77990029	1	-	-	198
77990030	1	-	-	198

Item No.	DU 1	DU 2	DU 3	Page	
77990031	1	-	-	198	
77990036	1	12	-	197	
77990037	1	-	-	197	
77990038	1	-	-	197	
77990040	1	10	-	198	
77990043	1	10	-	198	
77990051	1	10	-	196	
77990052	1	10	-	196	
77990053	1	-	-	196, 197	
77990054	1	-	-	196	
77990055	1	-	-	196	
77990056	1	-	-	196	
77990060	1	10	-	196	
77990061	1	10	-	196	
77990062	1	-	-	196, 197	
77990064	1	-	-	199	
77990065	1	-	-	199	
77990067	1	-	-	199	
77990068	1	-	-	199	
77990070	5	100	-	196	
77990071	5	-	-	196	
77990072	5	-	-	196	
77990078	1	50	-	196	
77990095	1	-	-	199	
77990097	NEW	1	10	-	182
77990098	NEW	5	100	-	196

Quick search

Assortment changes

Item No.	Designation	State/Change	Substitute
701016	TECEflex PE-Xc potable water pipe in corrugated sheath pipe, black, dimension 16	Dropped	
701020	TECEflex PE-Xc potable water pipe in corrugated sheath pipe, black, dimension 20	Dropped	
704516	TECEflex PE-Xc five layer 16 x 2.2, 200 m	Dropped	
704520	TECEflex PE-Xc 5S all-plastic pipe, dimension 20, 120 m roll	Dropped	
704616	TECEflex PE-Xc 5S all-plastic pipe dimension 16 in corrugated sheath pipe, 75 m roll	Dropped	
704620	TECEflex PE-Xc 5S all-plastic pipe dimension 20 in corrugated sheath pipe, 75 m roll	Dropped	
731014	TECEflex multi-layer composite pipe PE-Xc/Al/PE-RT in corrugated sheath pipe, black, dim. 14, roll 75 m	SALE	
732014	TECEflex multi-layer composite pipe PE-Xc/Al/PE-RT, dim. 14, roll 120 m	SALE	
732616	TECEflex multilayer composite pipe PE-Xc/Al/PE-RT pre-insulated, 26 mm insulation, red, dim. 16	NEW	
732620	TECEflex multilayer composite pipe PE-Xc/Al/PE-RT pre-insulated, 26 mm insulation, red, dim. 20	NEW	
732625	TECEflex multilayer composite pipe PE-Xc/Al/PE-RT pre-insulated, 26 mm insulation, red, dim. 25	NEW	
734514	TECEflex pressure sleeve for multi-layer composite pipe, dimension 14	SALE	
8702616	TECElogo multilayer composite pipe PE-RT/Al/PE-RT pre-insulated, 26 mm insulation, red, dim. 16	NEW	
8702620	TECElogo multilayer composite pipe PE-RT/Al/PE-RT pre-insulated, 26 mm insulation, red, dim. 20	NEW	
8702625	TECElogo multilayer composite pipe PE-RT/Al/PE-RT pre-insulated, 26 mm insulation, red, dim. 25	NEW	
8705232	TECElogo composite pipe PE-RT/Al/PE-RT dimension 32, 25 m roll	NEW	
8740462	TECE thermostat head M 30 x 1.5, chrome, setting 1-5 (7-28 °C)	Dropped	
77111632	TECEfloor Soft-PERT 5S underfloor heating pipe, dim. 16 x 2.0, 300 m	NEW	
77111662	TECEfloor Soft-PERT 5S underfloor heating pipe, dim. 16 x 2.0, 600 m	NEW	
77230017	TECEfloor 16-16 plug coupling TECElogo-Push model	SALE	8710516
77351001	TECEfloor flush-mounted manifold cabinet 110/435 W 435/H 705-775/D 110-150, RAL 9016	Dropped	77351501
77351002	TECEfloor flush-mounted manifold cabinet 110/575 W 575/H 705-775/D 110-150, RAL 9016	Dropped	77351502
77351003	TECEfloor flush-mounted manifold cabinet 110/725 W 725/H 705-775/D 110-150, RAL 9016	Dropped	77351503
77351004	TECEfloor flush-mounted manifold cabinet 110/875 W 875/H 705-775/D 110-150, RAL 9016	Dropped	77351504
77351005	TECEfloor flush-mounted manifold cabinet 110/1025 W 1025/H 705-775/D 110-150, RAL 9016	Dropped	77351505
77351006	TECEfloor flush-mounted manifold cabinet 110/1175 W 1175/H 705-775/D 110-150, RAL 9016	Dropped	77351506
77351011	TECEfloor manifold cabinet flush-mounted 80/435	Dropped	
77351012	TECEfloor manifold cabinet flush-mounted 80/575	Dropped	77351602
77351013	TECEfloor manifold cabinet flush-mounted 80/725	Dropped	77351603
77351014	TECEfloor manifold cabinet flush-mounted 80/875	Dropped	77351604
77351015	TECEfloor manifold cabinet flush-mounted 80/1025	Dropped	77351605
77351016	TECEfloor manifold cabinet flush-mounted 80/1175	Dropped	
77351701	TECEfloor cabinet door for Comfort flush-mounted cabinet, Width 400 mm	NEW	
77351702	TECEfloor cabinet door for Comfort flush-mounted cabinet, Width 540 mm	NEW	
77351703	TECEfloor cabinet door for Comfort flush-mounted cabinet, Width 690 mm	NEW	
77351704	TECEfloor cabinet door for Comfort flush-mounted cabinet, Width 840 mm	NEW	
77351705	TECEfloor cabinet door for Comfort flush-mounted cabinet, Width 990 mm	NEW	
77351706	TECEfloor cabinet door for Comfort flush-mounted cabinet, Width 1140 mm	NEW	
77352001	TECEfloor wall-mounted manifold cabinet 125/500 W 500 x H 618 x D 125, RAL 9016	Dropped	77351802
77352002	TECEfloor wall-mounted manifold cabinet 125/730 W 730 x H 618 x D 125, RAL 9016	Dropped	77351803
77352003	TECEfloor wall-mounted manifold cabinet 125/880 W 880 x H 618 x D 125, RAL 9016	Dropped	77351804

Item No.	Designation	State/Change	Substitute
77352004	TECEfloor housing VS-AP 125/1030 B 1030 x H 618 x T 125, RAL 9016	Dropped	77351805
77352011	TECEfloor white glass door f. flush-mounted cabinet 400 WxH 489x566 for frame width 460	Dropped	
77352012	TECEfloor white glass door f. flush-mounted cabinet 540 WxH 628x566 for frame width 600	Dropped	
77352013	TECEfloor white glass door f. flush-mounted cabinet 690 WxH 778x566 for frame width 750	Dropped	
77352014	TECEfloor white glass door f. flush-mounted cabinet 840 WxH 928x566 for frame width 900	Dropped	
77352015	TECEfloor white glass door f. flush-mounted cabinet 990 WxH 1078x566 for frame width 1050	Dropped	
77390113	TECEfloor industry plastic heating circuit manifold flow/return module	SALE	
77390116	TECEfloor industrial heating circuit manifold VL/RL set, 2 heating circuits, with universal connection	NEW	
77390117	TECEfloor industrial heating circuit manifold VL/RL set, 3 heating circuits, with universal connection	NEW	
77420030	TECEfloor radio-controlled room thermostat RTF-A, analogue	Dropped	77420050
77420032	TECEfloor radio-controlled room thermostat RTF-D, LC display	Dropped	77420055
77420033	TECEfloor radio-controlled room thermostat RTF-D, LC display, with floor sensor	Dropped	77420055
77420035	TECEfloor radio-controlled room thermostat RTF-D, LC display design	Dropped	77420055
77440030	TECEfloor radio-control base unit 24 V incl. transformer, 4 zones	Dropped	77420064
77440031	TECEfloor radio-control base unit 24 V incl. transformer, 8 zones	Dropped	77420065
77440040	TECEfloor radio repeater	Dropped	77420073
77440041	TECEfloor external antenna for TECEfloor radio base unit	Dropped	
77520027	TECEfloor cutting blade for heat cutter, dim. 16	NEW	
77531530	TECEfloor tacking sheet 10plus (1.92 m ²) fold. sheet 160 x 120 x 1 cm R=0.285 m ² K/W	SALE	77531533
77531533	TECEfloor tacker panel 10plus, EPS DEO WLG 035	NEW	
77531541	TECEfloor tacker plate Flat2, 30 x 1 m	NEW	
77540010	TECEfloor pipe mat 100/100 (2.52 m ²) 1200 x 2100 x 3 mm, drawn Steel	Dropped	
77540015	TECEfloor pipe mat 150/150 (2.52 m ²) 1200 x 2100 x 3 mm, drawn Steel	Dropped	
77640010	TECEfloor cement screed additive 10 kg, 0.03 kg/m ² per cm of screed thickness	Dropped	
77641010	TECEfloor cement screed, special additive	Dropped	
77990010	TECEfloor simultaneous locking cylinder lock for manifold cabinets	Dropped	
77990066	TECEfloor control button RTL box, aluminium	Dropped	77990095
77990097	TECEfloor cylinder lock for comfort manifold cabinet UP/AP	NEW	
77990098	TECE spart part TECEfloor inspection glass flow meter, 0.2-5.0 l/min	NEW	

Notes:

- Goods are supplied to the specialist wholesale trade only in the quantities specified.
- Subject to technical modifications.
- This documentation is based on our current state of knowledge; the “state of the art” applies as a matter of course.
- Local standards and guidelines are to be taken into consideration in the choice of materials.

Valid until the appearance of the next issue. Subject to alterations and errors excepted.

More information on
www.tece.com

TECE GmbH
P +49 25 72 / 9 28 999
international-business@tece.de
www.tece.com