

# TECE

Sanitary systems

## TECEone

TECHNICAL INFORMATION



All data contained in the Technical Information has been compiled with the utmost care. However, the correctness of the data presented cannot be guaranteed. TECE assumes no liability for damage resulting from the use of this information. Text and images are protected by copyright law.

Issue: March 2020

© Copyright 2020, TECE GmbH, Hollefeldstraße 57, D-48282 Emsdetten

# Contents

<b>Introduction</b>	<b>4</b>
<b>System description</b>	<b>5</b>
Functions	5
Technical data	5
Dimensions	5
Approval and certificates	5
<b>Operation</b>	<b>6</b>
<b>Planning and assembly</b>	<b>7</b>
Water connection device	7
Mounting the toilet ceramic	7
Temperature adjustment	9
Mounting the toilet seat	11
<b>Cleaning and Maintenance</b>	<b>12</b>
<b>Faults</b>	<b>12</b>
<b>Servicing and spare parts</b>	<b>13</b>

## Introduction

### Introduction

TECEone is a wall-hung ceramic toilet with shower function and is designed for comfortable buttocks and intimate cleaning. Without using the shower function, it can also be used as a conventional toilet ceramic.

TECEone not only shines with inner values, it looks pretty good too! Thanks to its timeless, elegant design, it can be easily integrated into any bathroom ambience and combined with the existing bathroom equipment.



- 1 Hot and cold water connection, corner valves
- 2 Temperature setting rotary knob, thermostat valve
- 3 Water volume rotary knob
- 4 Shower unit with shower arm
- 5 Standardised protective device according to DIN EN 1717

Toilet ceramic with shower function - what sounds like twice the installation work is actually quite easy: TECEone is a new product solution, but with a technology that the installer is also familiar with from shower fittings and which does not require a power connection:

## System description

### Functions

#### Rotary knobs for controlling the water volume and regulating the temperature

The rotary knobs for regulating the water volume (left) and for setting the temperature (right) are located on the side of the ceramic. Operation is intuitive. TECE relies on proven technology in this area.

The EN 1717-compliant safeguard is integrated in the TECEone, so the product no longer needs to be safeguarded separately.

#### Shower arm

By turning the rotary knob, the shower arm automatically extends, regulating the quantity of water by increasing the water pressure applied. Gently turning the volume controller allows cooled water to run out first. After the subsequent warm water shower, the shower arm is automatically rinsed when it is retracted and thus cleans itself. The shower arm also cleans itself when extending.

The shower arm cap can be replaced — various versions are available with differently angled jets and intensities.

#### Toilet seat

The ergonomically-shaped toilet seat and lid with soft-close function have been developed specially for TECEone. The attachment is already installed and firmly cast with the ceramic.

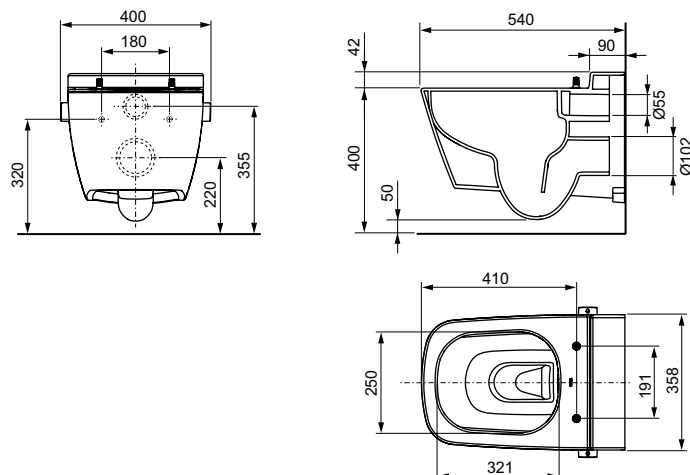
### Technical data

Temperature range 10 – 38°C

Water pressure           Min. 1 bar (0.1 MPa)  
                                  Max. 10 bar (1 MPa)

Water consumption    up to 5.6 l/min.

### Dimensions



### Approval and certificates

TECEone complies with many national and international standards and directives. The DVGW W 540 conformity mark confirms that TECEone is equipped with the required protective device in accordance with DIN EN 1717 for the protection of potable water, and thus fulfils the appropriate requirements.

The toilet ceramic also meets the requirements of DIN EN 997 (European standard for toilet bowls and toilet systems), while the toilet seat fulfils the requirements of DIN 19516 (Toilet seats – Requirements and test methods).

Standards/guidelines	
Protection against pollution of potable water in water installations	DIN EN 1717
Self-protecting equipment for connection to potable water installations	DVGW worksheet W 540
Protective devices for protecting potable water	DIN EN 13079
Toilet bowls and toilet systems with a pre-formed odour trap	DIN EN 997
Toilet seats – Requirements and test methods	DIN 19516

Current approvals and certificates can be found at [www.tece.com/en](http://www.tece.com/en).

Local requirements and guidelines must be observed when installing a TECEone toilet ceramic.

## Operation

### Operation

#### Controls

TECEone is operated intuitively using the right and left rotary knobs:



- “Water regulation” right rotary knob (pictured left): Use this knob to open the water supply to the shower arm and control the intensity of the water jet. The shower arm moves out “automatically” when a certain water volume is reached.
- “Temperature setting” left rotary knob (right picture): use this knob to set the temperature of the water for washing your buttocks and intimate area.

#### Testing the water temperature when using for the first time

- Turn the left rotary knob as far as it will go to the highest possible temperature.
- Hold a suitable container (e.g. cup) in front of the shower arm.
- Turn the right rotary knob and test the water to check the temperature. If the temperature is higher than 38°C, it must be reset. The corresponding procedure can be found in the Installation and Assembly/Temperature setting chapter.
- Turn the left rotary knob to the required temperature or to the middle position.
- Turn the right rotary knob as far as it will go to turn off the water supply.

#### Starting the shower function

- If necessary, turn the right rotary knob slightly: the shower arm does not yet extend and cooled water may run into the ceramic, at the same time the shower arm is rinsed and washed with water (left picture).



- Fully turn the right rotary knob: the shower arm now extends completely and you can start washing with water (right picture).
- You can increase or reduce the volume of water by turning the right rotary knob until you achieve the required result.
- By turning the left-hand rotary knob, you can set your desired water temperature - even during operation.
- To turn off the shower function, turn the knob back as far as it will go.

#### Removing the toilet lid

- Lift up the toilet lid and toilet seat.
- Remove the two set screws from the hinges using an Allen key (2.5 mm).
- Hold the toilet lid and seat with both hands and pull them gently upwards.

Note: When mounting, press both hinges - simultaneously with a little pressure - onto the fastening bolts after putting them on.

#### Replacing the shower nozzle heads

The scope of delivery also includes three shower caps (standard 75°).

To replace them, proceed as follows:

- Turn the right rotary knob until the shower arm extends a little.
- Pull out the shower arm with your hand and turn off the water supply (left picture).
- Hold the shower arm with one hand and pull the cap forward off the shower arm with the other hand (right picture).
- Now push your chosen shower head – with the opening pointing upwards – onto the shower arm until it gently locks into position.

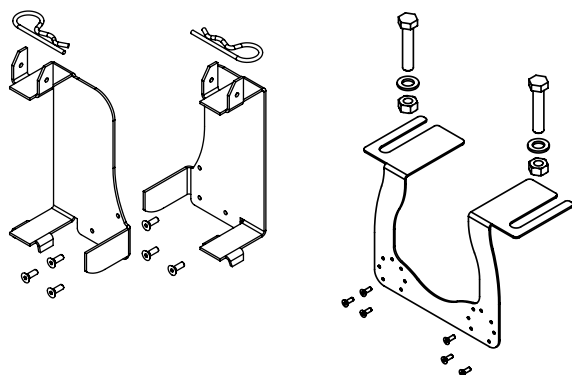


Additional shower caps can be optionally ordered which differ from each other in terms of the intensity and position of the shower jet (see “Spare parts”).

## Planning and assembly

### Water connection device

TECEone is operated with fresh hot and cold water from the pipe. Corresponding upgrade sets are available for installing and precisely positioning the water connections for the different TECE modules:

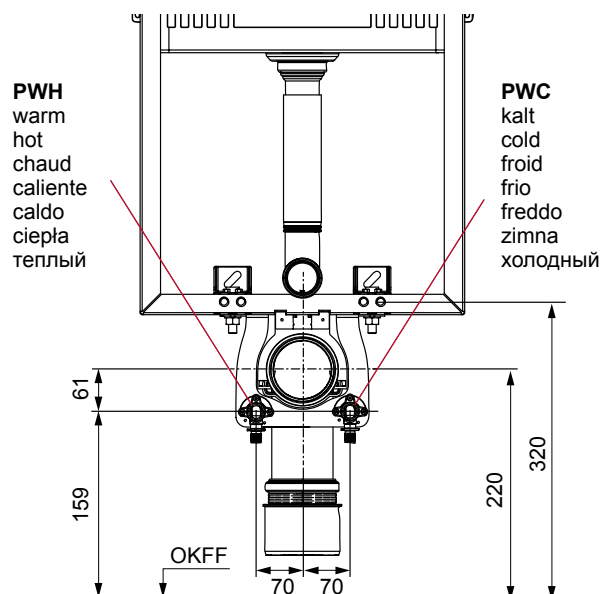


Dry-wall upgrade set  
Item no. 9 880 046

Brick-wall upgrade set  
Item no.9 880 047

To use a TECElux module in combination with a TECEone, you will find the necessary information in the "TECElux" technical information.

For the water connection, we recommend connecting the shortest possible stub line to the circulating hot water pipe. In this way, the demands for comfort and hygiene are taken into account in the best possible way.

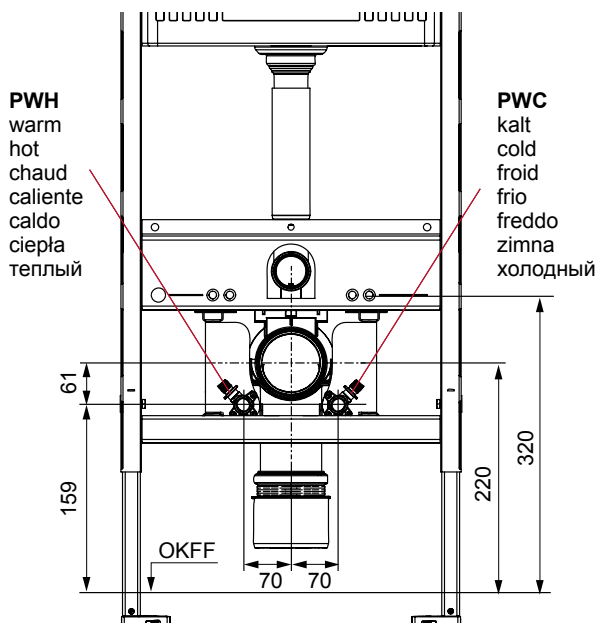


Brick-wall connection and dimensions

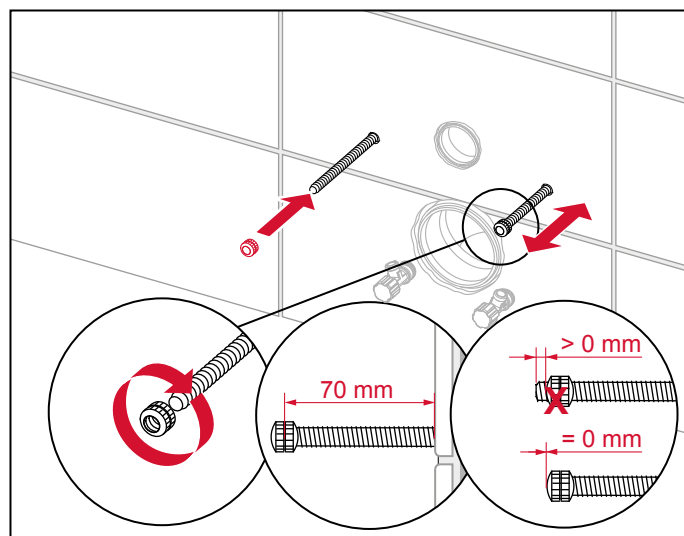
### Mounting the toilet ceramic

For a detailed description of the individual steps, please refer to the assembly instructions enclosed with the product.

Here, we would just like to draw your attention to a few points which should be taken into account when installing a TECEone:

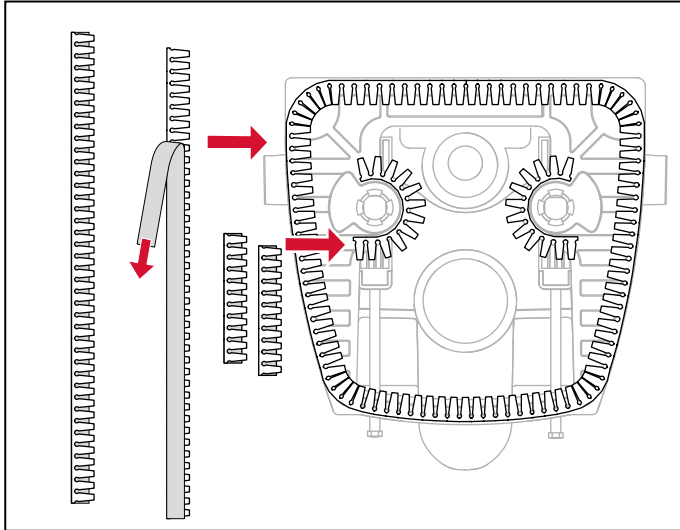


Dry-wall connection and dimensions

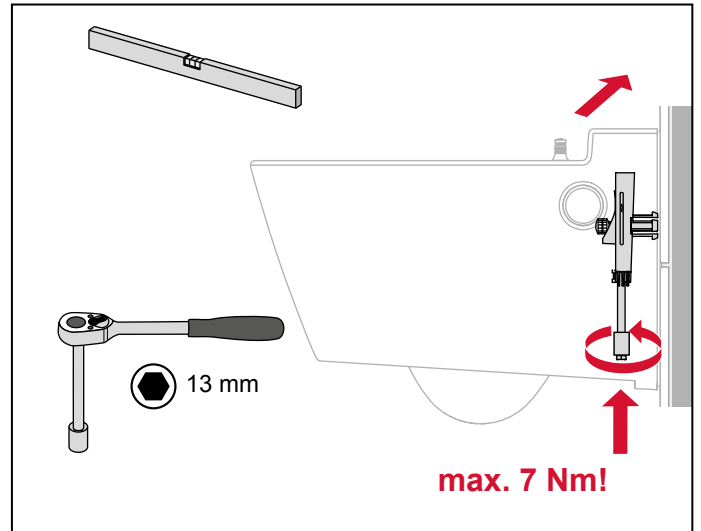


The threaded rods should be screwed in or cut off so that the distance between the groove of the knurled nut and the wall is 70 mm. The threaded rod should not protrude out of the knurled rod.

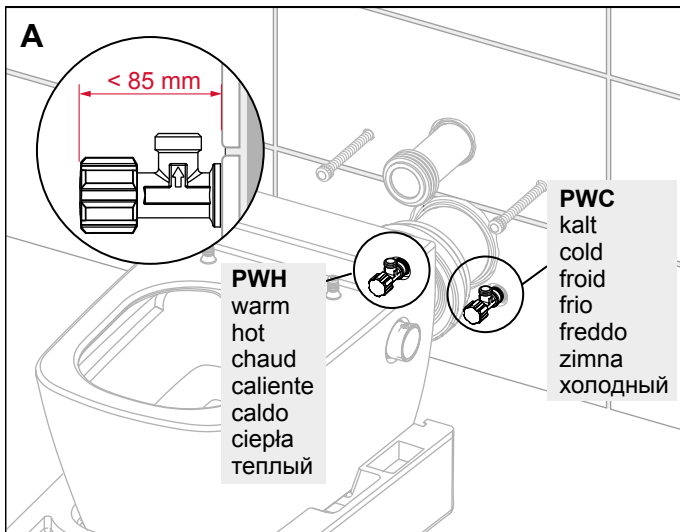
## Planning and assembly



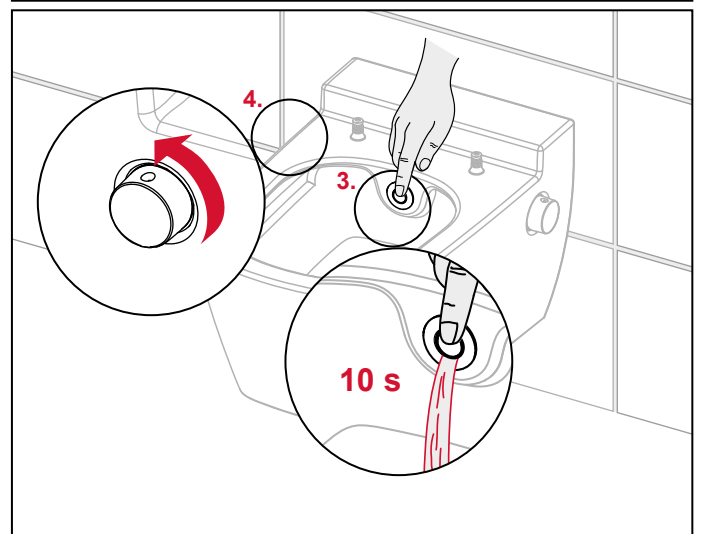
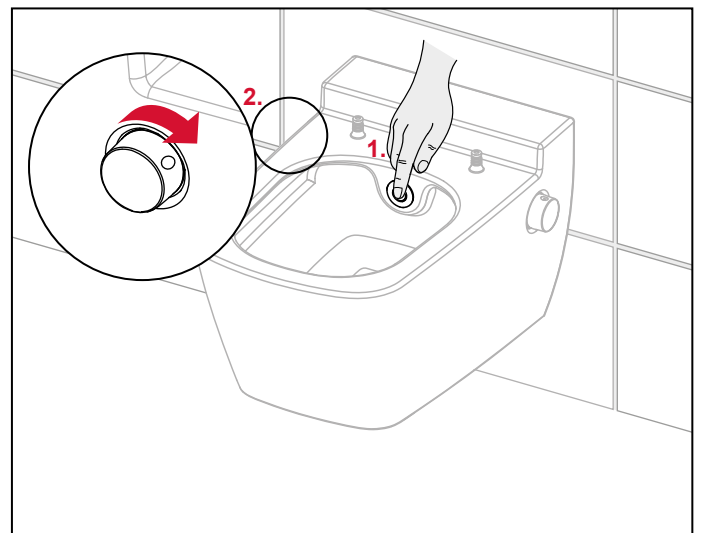
Attach the sound insulation strips to the back of the ceramic.



Secure it with the concealed fitting (13 mm ratchet) from the underside of the toilet ceramic. Observe the maximum torque of 10 Nm.



Combine the colour-coded reinforced hoses with the appropriate corner valves. Use conventional corner valves with a maximum length of 85 mm. Push the ceramic against the wall with the aid of the mounting accessory (packaging).

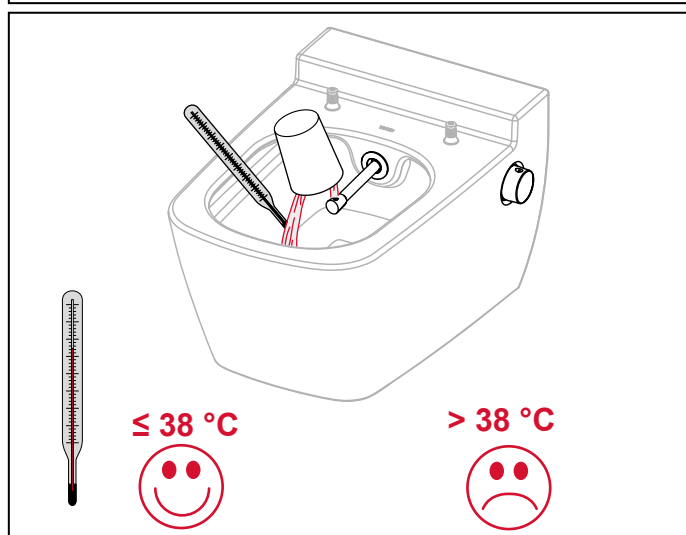
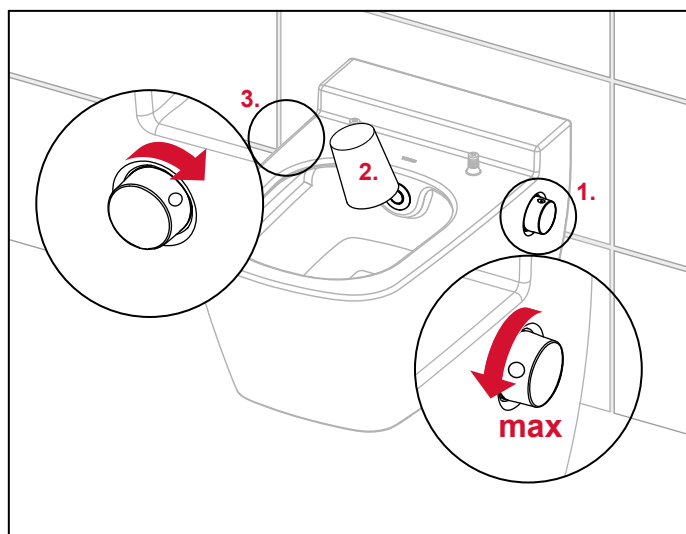


To flush the safety device, hold your hand in front of the shower arm and press the rotary knob for water regulation at the same time. Allow the water to run into the ceramic for 10 seconds.



## Temperature adjustment

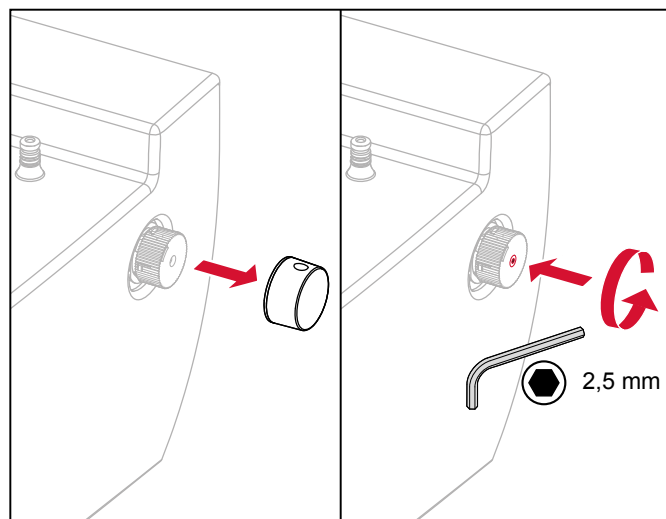
After installing the toilet ceramic, the hot water temperature must be checked - as is usual when using thermostatic cartridges.



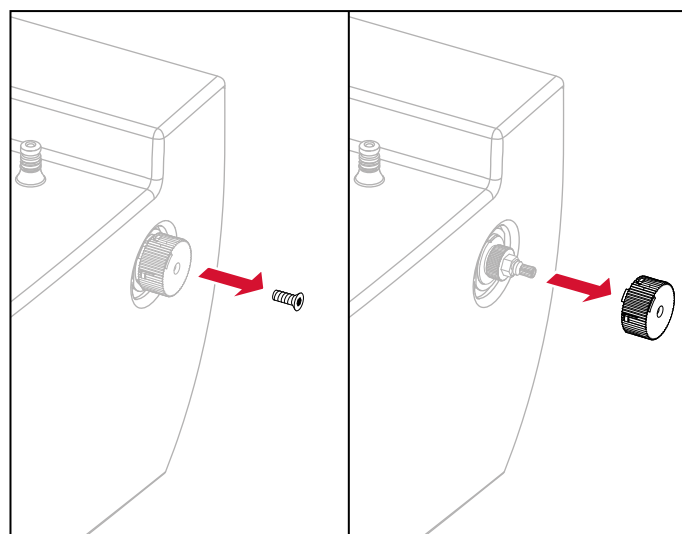
To do this, turn the temperature controller to the maximum temperature, then open the water volume rotary knob and measure the temperature.

If the measured temperature is not higher than 38°C, you do not need to do anything else and can use the TECEone immediately.

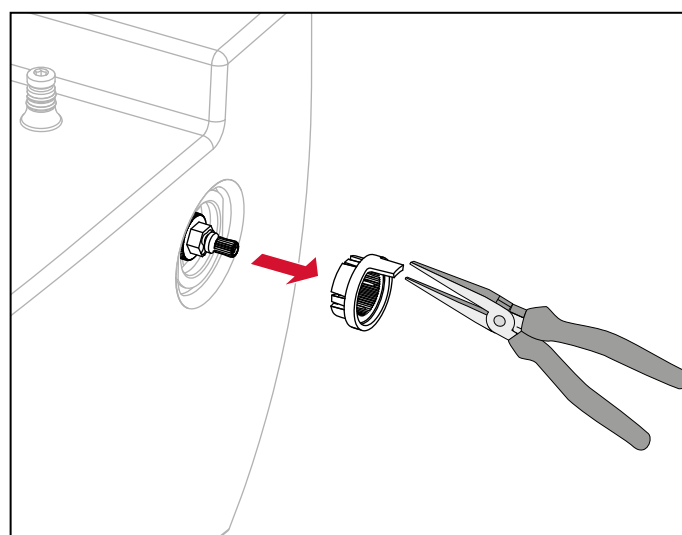
However, if the measured water temperature is higher than 38°C, follow the steps below to adjust the temperature.



First, remove the cap from the rotary knob.

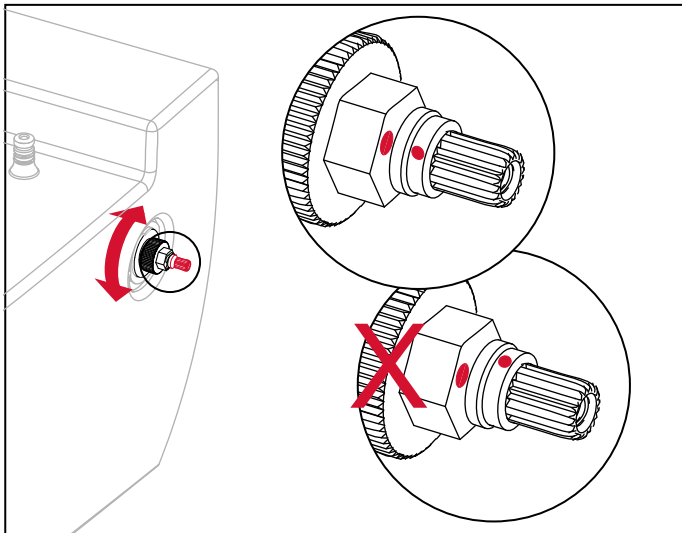


Then remove the cap holding fixture — the screw is secured with a seal.

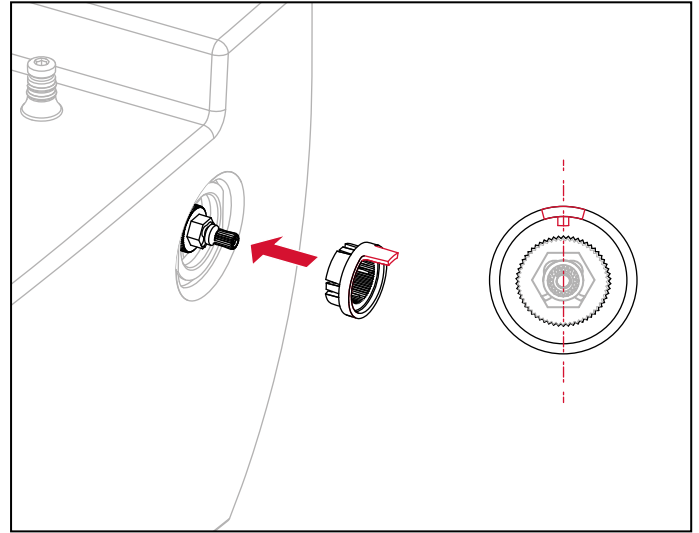


Pull out the stop with needle-nose pliers.

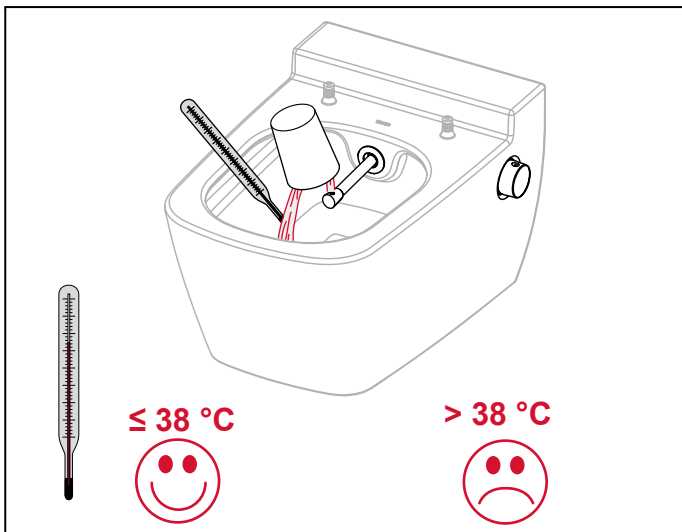
## Planning and assembly



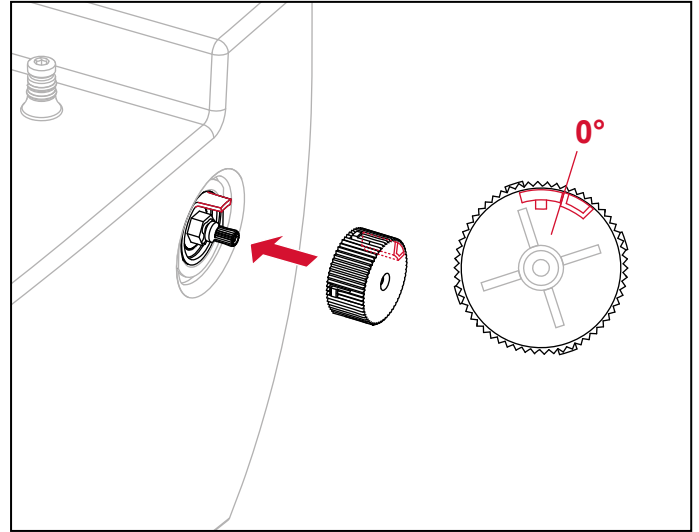
Turn the toothed shaft until the two red marks are aligned.



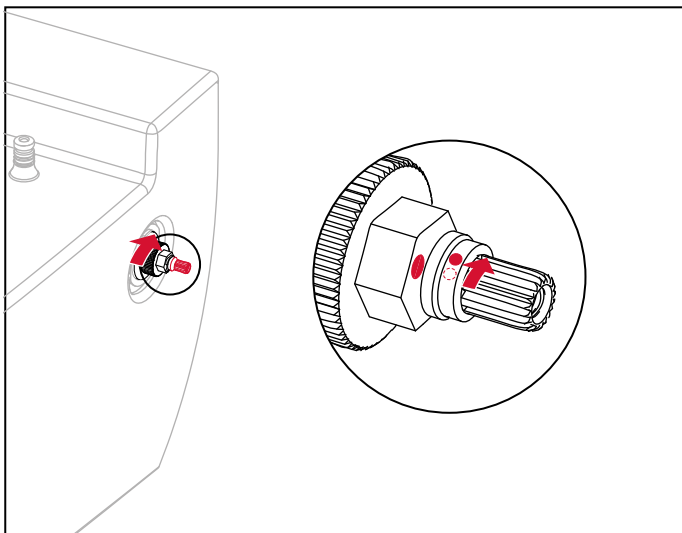
Place the stop in the "up" position on the toothed shaft.



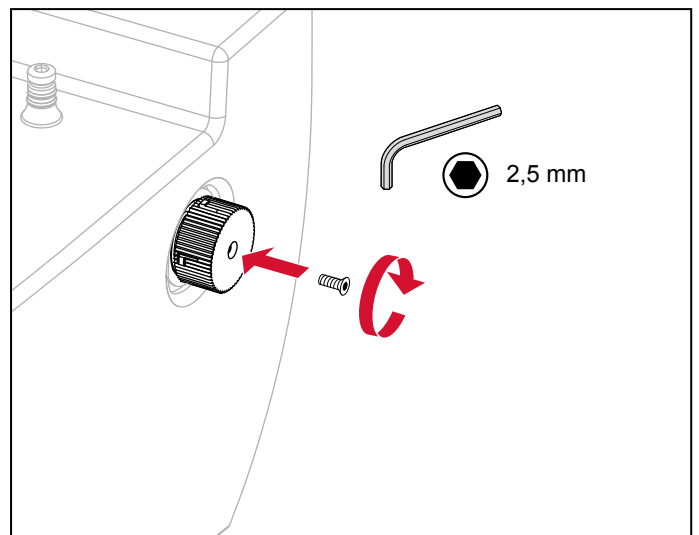
Now open the water volume rotary knob and measure the temperature again.



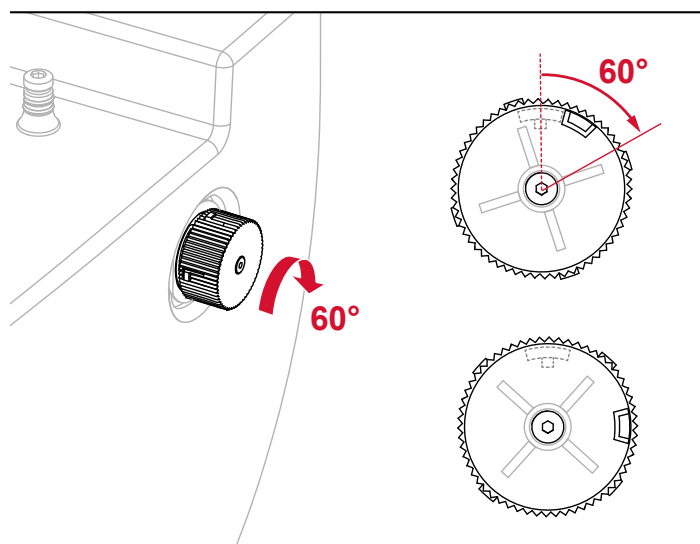
Fit the cap holding fixture onto the toothed shaft until it reaches the stop (scald protection).



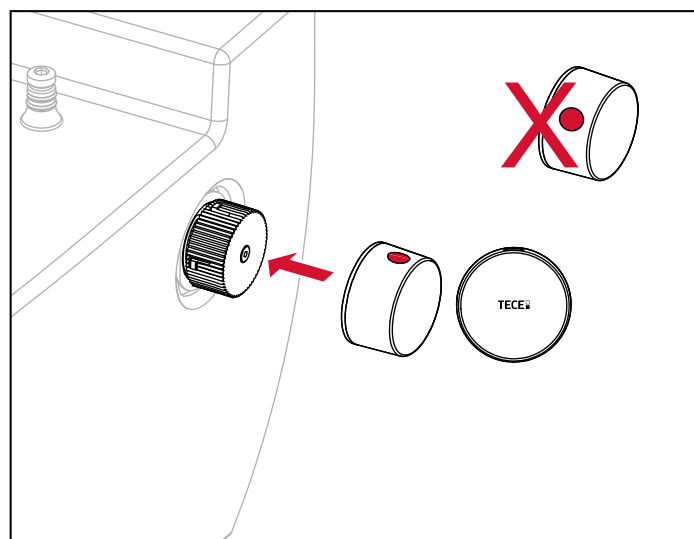
If the temperature is still too high, turn the marking on the toothed shaft slightly to the right.



Tighten the screw.



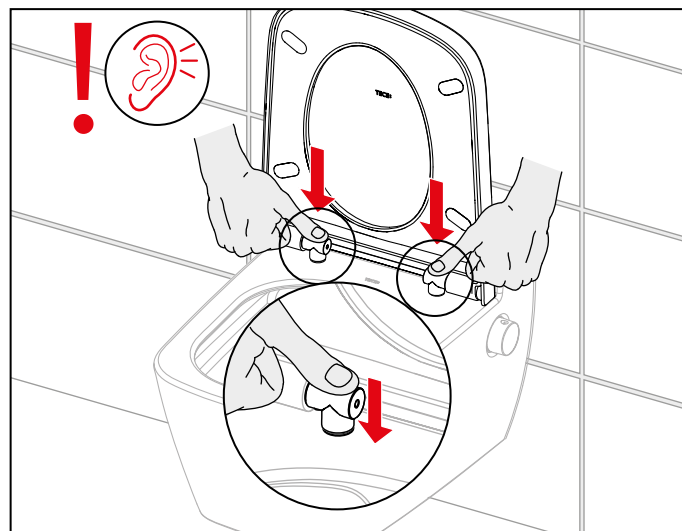
Turn the cap holding fixture up to the left stop, then turn it 60° to the right.



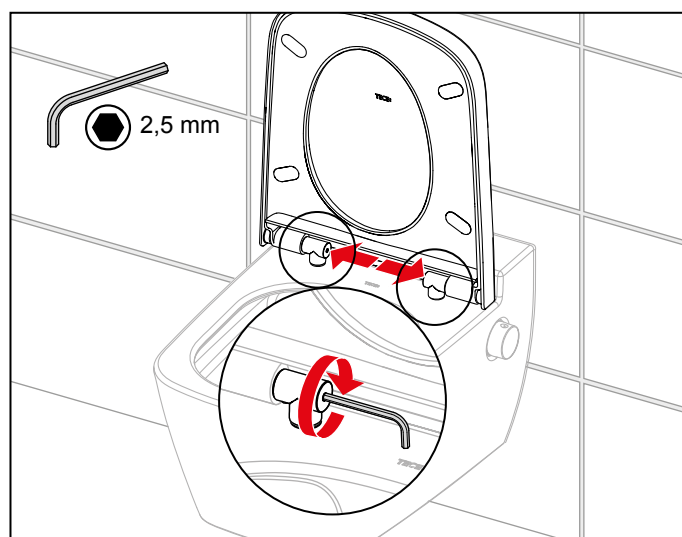
Place the rotary knob cap on the fixture so that the marking is pointing upwards.

### Mounting the toilet seat

TECEone must always be combined with the TECEone seat with lid. The toilet seat and lid fixings are already in place and immovably cast with the ceramic.



When installing the seat, gently apply pressure to push the hinges (left picture) onto the attachment bolts until they click into place.



Finally, secure the seat using the set screws.

## Cleaning and Maintenance

### Cleaning and Maintenance

#### Lid and toilet seat, rotary knobs

Clean the lid, toilet seat and rotary knobs every day using a soft cloth and warm water with a mild household cleaning agent. Do not use abrasive, chlorine-based or acidic cleaning products.

When cleaning the ceramics, always open the lid or remove it completely so that any rising vapours cannot damage the plastic.

#### Toilet ceramics

Clean the ceramics regularly or as soon as they get dirty. Use a commercial sanitary cleaner to regularly clean the ceramic. To remove limescale, use a commercial limescale remover or a vinegar-based cleaner. Always follow the manufacturer's instructions when using a cleaning product. Avoid any contact with hard or metal objects which could damage or mark the surface.

#### Shower arm

- Slightly turn the right rotary knob to the self-cleaning position: The shower arm does not extend and the water rinses the shower nozzle, cleaning it in this position.
- In the event of stubborn soiling, turn the right rotary knob until the shower arm extends with a small jet of water. Remove the dirt using a suitable brush or a soft cloth. Always use a mild cleaning agent to do this.



If using water with a very high lime content, lime deposit can build up on the shower head, shower arm, the protective device and the hygiene system. This can be removed using a commercial limescale remover or a vinegar-based cleaner. In the event of stubborn limescale, these components can be replaced.

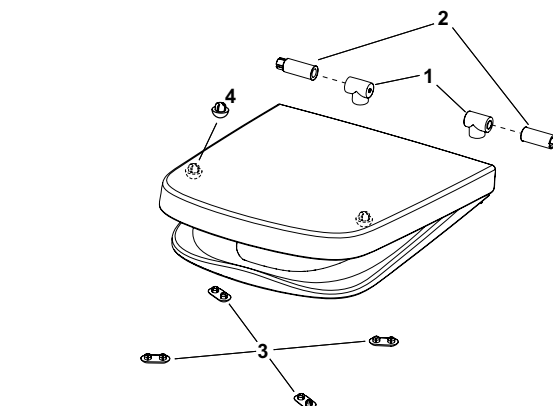
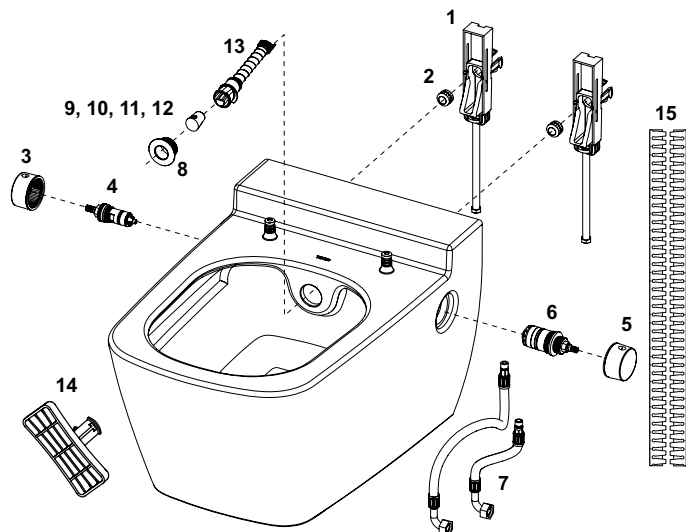
### Faults

The TECEone has been designed in such a way that problems are extremely unlikely and may only occur in very few cases. However, if a fault should occur, it is generally best to contact a suitable specialist (i.e. fitter).

Problem	Possible cause	Solution
Water runs/drips out of the ceramic.		Close the corner valve or the main valve and call the installer/fitter.
The shower arm does not extend.	The water pressure is too low.	Call the installer.
The shower jet is too weak.	The water supply hose is kinked.	Call the installer.
	The shower arm or shower cap is blocked/calcified.	Clean the shower cap or the shower arm with a suitable brush or replace it in the same way as when removing limescale.
No water comes out of the shower arm.	The water supply has been switched off.	Check whether the corner valves are opened or check the central water feed supply.
The temperature of the water is suddenly too high or too low.	The temperature cartridge is faulty.	Call the installer.

## Servicing and spare parts

TECE relies on tried-and-tested technology. However, should components ever need to be replaced or serviced, you will find the spare parts for TECEone below.



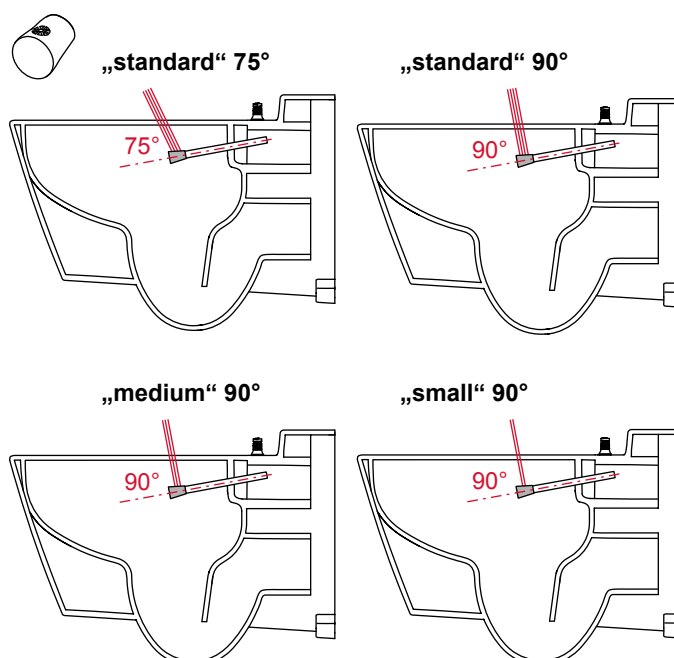
No.	Item no.	Description
1	9820357	Set of fittings
2	9820366	Damper set for seat and lid
3	982036	Toilet seat support buffer (4 x)
4	982035	Lid support buffer

No.	Item no.	Description
1	9820356	Concealed mounting
2	9820357	Knurled nut (x 2) for concealed mounting
3	9820362	Water volume rotary knob
4	9820469	Ceramic cartridge including EN 1717 protection
5	9820361	Temperature rotary knob
6	9820360	Thermostatic cartridge
7	9820471 9820365	Reinforced hoses (from 01/2020) warm and cold Reinforced hoses (to 12/2019) warm and cold
8	9820364	Rosette
9	9820403	Shower arm cap (x 3) "standard" 75°
10	9820404	Shower arm cap (x 3) "standard" 90°
11	9820405	Shower arm cap (x 3) "medium" 90°
12	9820406	Shower arm cap (x 3) "small" 90°
13	9820363	Shower arm complete set
14	9820422	Removal tool shower arm
15	9820351	Acoustic tape

The required installation information is included in the scope of delivery for the spare parts (thermostatic cartridge, ceramic cartridge, protective device, shower arm, shower arm cap). The relevant videos can also be found on the Internet at [www.tece.com/en](http://www.tece.com/en)

### Shower arm caps

TECEone shower arm caps come in four versions which differ from each other in terms of intensity and position of the shower jet:



The as-delivered state of the TECEone includes three "standard" 75° caps.

