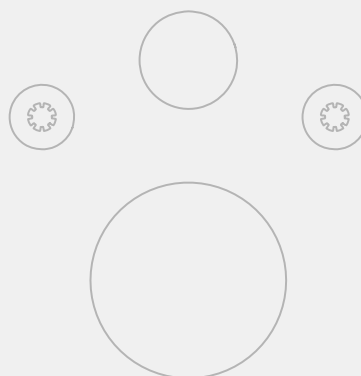


TECE

Sanitary systems

TECElux

TECHNICAL INFORMATION



All data contained in the Technical Information has been compiled with the utmost care. However, the correctness of the data presented cannot be guaranteed. TECE assumes no liability for damage resulting from the use of this information. Text and images are protected by copyright law.

Issue: March 2020

© Copyright 2020, TECE GmbH, Hollefeldstraße 57, D-48282 Emsdetten

Contents

Introduction	4
Design	4
Advanced features	5
Product range	6
TECElux module	8
Upper glass flush plates with actuation unit	10
Lower toilet attachment glass panels	10
Accessories	12
Shell installation	13
Installation in a TECEprofil pre-wall	13
Installation as an individual module in front of a solid wall	14
Installation in C-profile metal stud wall	18
Installation in floor-to-ceiling metal stud wall with UA-profiles	18
Installation in a wooden stud wall	19
Attaching individual modules to the floor	20
Connecting the drain bend	20
Cladding and wall structure	20
Power supply	23
Power and water connection with TECEone	23
Fine installation	24
Lower attachment glass panel for standard toilet	24
Lower attachment glass panel for shower toilet and seats	24
Lower attachment glass panel for TECEone	28
“m-Lift” height adjustment	29
Upper glass flush plate with actuation unit	30
Programming the sen-Touch electronics	31

Introduction

Introduction

The TECElux toilet terminal conceals all its technology in the wall. An extremely flat glass facing closes the inspection opening and conceals the cistern, connections for water and power and, depending on the version, an odour extraction or height adjustment for the ceramics.

Design

With its simple aesthetics, TECElux blends in with the architecture of any bathroom. The terminal's large glass surface consists of two parts that give the appearance of a single unit. The glass facing serves as a splash guard for the wall and means that the wall does not have to be tiled.

The toilet terminal can be combined with practically any ceramic and even with shower toilets.

TECElux has already received numerous awards for its intelligent combination of design and function.



reddot design award
winner 2011



DESIGN PLUS



Advanced features

Electronic “sen-Touch” flush actuation



A simple touch with the finger actuates the flush. The flush can also be activated without contact, by approaching within the range of 10 mm. A sensor ensures energy-saving consumption – and effortless toilet flushing.

The manual actuation option allows the flush to be actuated via buttons. These come in various colours and material variants.

“ceramic-Air” air purification system



Odours are extracted where they occur and the purified air is returned to the room. No additional fresh air is needed that would first have to be heated.

The air purification system starts when someone approaches, and stops automatically after a short follow-up time. This avoids unnecessary power consumption. The activated carbon filter has a long service life and only needs to be replaced after about five years.

Note: Certain ceramics are not suitable for using “ceramic-Air” – see table on page 8-8.

“m-Lift” height adjustment



TECElux enables you to adjust the height of the toilet ceramics at any time, even after the module has been installed. The ceramics do not have to be removed to do this. The height can be continuously adjusted in an 8 cm range by means of an adjusting spindle. The glass front moves with the ceramic, so the overall appearance is not impaired by any joints or gaps.

“smart-Connect” interface



Additional functions on the toilet require space and often also a power or extra water connection. Until now, the technology was simply added onto the ceramics and the necessary water and power lines were installed visibly next to the toilet. These makeshift solutions are now a thing of the past.

The new toilet terminal takes equal account of aesthetic and functional factors: TECElux integrates the system components into the pre-wall module invisibly and safely. The large inspection opening is covered by a flat glass facing that allows quick access to the components behind it at any time.

As an open interface between the toilet functions and the bathroom architecture, the toilet terminal can be combined with virtually any ceramics and also with shower toilets.

Product range

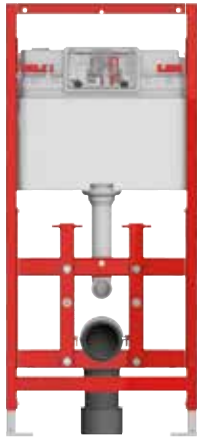
Product range

A TECElux toilet terminal always consists of:

(A) a TECElux module

(B) an upper flush plate and (C) a lower toilet mounting plate with recesses for different power and water connections.

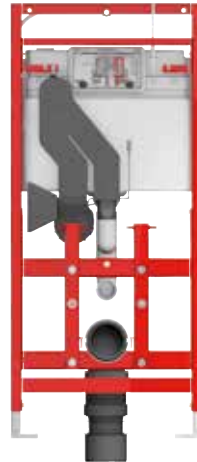
A TECElux module



TECElux 100
Item no. 9600100



TECElux 200
Item no. 9600200



TECElux 400
Item no. 9600400

B Upper flush plate



"sen-Touch" (w)
Item no. 9650002
"sen-Touch" (s)
Item no. 9650003

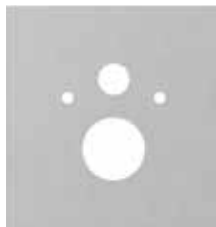


White buttons (w)
Item no. 9650000
Black buttons (b)
Item no. 9650005

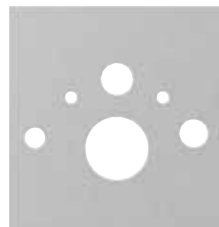


Bright chrome buttons (w)
Item no. 9650001
Bright chrome buttons (b)
Item no. 9650004

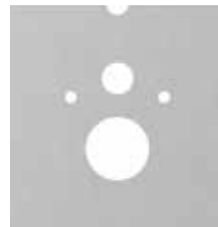
C Lower attachment panel



Standard toilet (w)
Item no. 9650100
Standard toilet (s)
Item no. 9650105



Shower toilet (w)
Item no. 9650101
Item no. 9650103
Item no. 9650104
Shower toilet (b)
Item no. 9650106
Item no. 9650107
Item no. 9650108










Shower toilet seat (w)
Item no. 9650102



TECElux toilet terminal (b/w)

(w) = white glass, (b) = black glass

C Overview of lower attachment panel and accessories for toilets and shower toilets

							
	9650100 (w) 9650105 (b)	9660001	9650101 (w) 9650106 (b)	9650102 (w)	9650103 (w) 9650107 (b)	9650104 (w) 9650108 (b)	9650109 (w) 9650110 (b)
Standard ceramics (connection dimension 180 mm)	X						
TOTO Neorest AC 2.0 * TOTO Neorest EW 2.0 *		X	X				
TOTO Washlet CF TOTO Washlet EK 2.0 (with side connections: TCF6632G#NW1) TOTO Washlet GL 2.0 (with side connections: TCF6532G#NW1) TOTO Washlet Giovannoni		X		X			
TOTO Washlet SG 2.0 TOTO Washlet EK 2.0 (with concealed connections: TCF6632C3GV1) TOTO Washlet GL 2.0 (with concealed connections: TCF6532C3GV1) TOTO Washlet RX **		X				X	
Duravit D-Code		X		X			
Duravit Sensowash Starck Duravit Sensowash Slim					X		
Villeroy & Boch ViClean U		X		X			
Villeroy & Boch ViClean U+		X				X	
Villeroy & Boch ViClean L					X		
Geberit AquaClean 8000 Geberit AquaClean 8000 plus			X				
Geberit AquaClean 5000 Geberit AquaClean 5000 plus				X			
Geberit AquaClean Mera Geberit AquaClean Sela Geberit AquaClean Tuma						X	
Vitra V-Care						X	
Grohe Sensia Grohe Sensia Arena						X	
TECEone							X

* TECElux 400 not required, as odour extraction is already included with the TOTO Neorest. When using the "sen-Touch" upper flush plate, the TOTO remote actuation remains without function. When using the manual actuation, order the control cable (item no. 9820259).

** Not compatible with upper "sen-Touch" flush plate

(w) = white glass, (b) = black glass

Product range

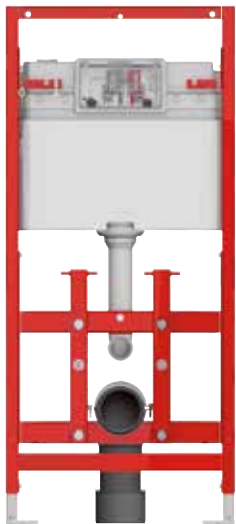
TECElux module

The TECElux module is a dry construction element, available in three different versions. All modules consist of the same self-supporting, stable mounting frame and the proven TECE dual-flush cistern.

Other common components:

- Robust, self-supporting mounting frame. All toilet modules are statically self-supporting and can withstand a max. load of 400 kg.
- Can be installed in a C-profile, UA-profile, TECEprofil or wooden stud wall. Corner installation is also possible
- For combination with the upper glass flush plate and the lower toilet glass panel
- For standard ceramics with an installation spacing of 180 mm.
- Integrated foot brake facilitates module height adjustment.
- Adjustable foot supports for floor build-up of 0 to 200 mm. For attaching to the floor or on a TECEprofil rail.
- Toilet drain bend with DN 90/100 adapter
- Clearly visible meter marking sticker

TECElux 100 module



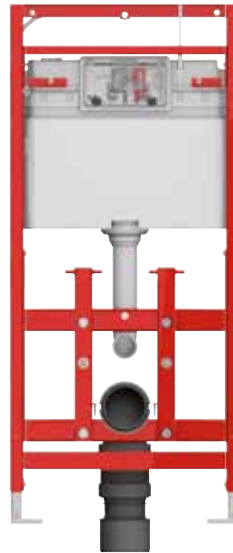
With TECE concealed cistern and dual-flush technology.

The flush is actuated mechanically by buttons or electronically via “sen-Touch”.

The module can be optionally fitted with the “ceramic-Air” air purification system (only in conjunction with the “sen-Touch” upper glass flush plate with actuation unit).

Item no. 9600100

TECElux 200 module



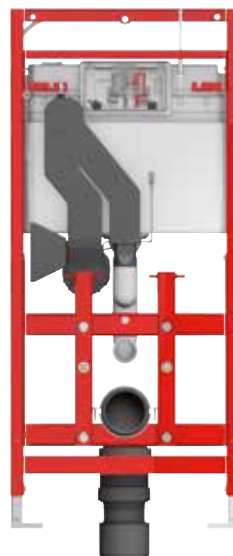
With TECE concealed cistern, dual-flush technology and manual height adjustment.

The flush is actuated mechanically by buttons or electronically via “sen-Touch”.

The module can be optionally fitted with the “ceramic-Air” air purification system (only in conjunction with the “sen-Touch” upper glass flush plate with actuation unit).

Item no. 9600200

TECElux 400 module

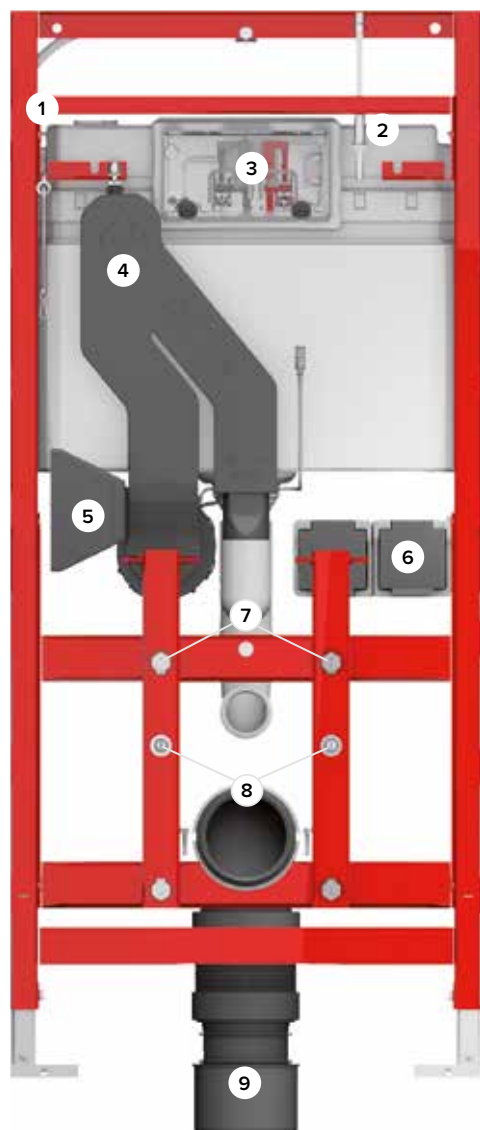


With TECE concealed cistern, dual-flush technology, manual height adjustment and “ceramic-Air” air purification system.

The flush is only actuated electronically (sen-Touch).

Item no. 9600400

TECElux 400 module technology



- 1) Flexible water connection (concealed)
- 2) Set screw for height adjustment
- 3) Electronic dual-flush actuation
- 4) "ceramic-Air" odour extraction
- 5) Exit opening for cleaned air, activated carbon filter
- 6) Power connection, sockets*
- 7) Depth-adjustable support for the lower glass panel
- 8) Retaining bolts for ceramics
- 9) Flexible drain bend

* Not included in the scope of delivery

Note:

It is possible to install the "ceramic-Air" odour extraction system in all common toilet ceramics. However, there are some ceramics where the flushing water remains in the flushing pipe due to a raised seating position or raised flushing rim and partial/full filling can occur.

The following table lists the ceramics for which the use of "ceramic-Air" - at the time of writing this document - is not possible:

Manufacturer	Product	Item no.
Catalano	Zero	1VSxxN00
Duravit	Stark 1	021009
	Stark 3	221509
	Architec (Duraplus)	254609
Ideal Standard	Connect	
	Mia/SimplyU	J4521xx
	SoftMood	T3226xx
	Tonic II	K 31xx xx
	Ventuno standing toilet	T3161xx
Geberit	4U RimFree	203460
	500 by Citterio – deep	202100
	CASSINI – deep	203200
	EMANI by Citterio – deep	207800
	ERA – deep	208800
	It! RimFree	201950
	Plus 4	202010
	Silk – flat	203670
	Visit	2063xx
	Laufen	LB3
Pro		21962
Moderna R		21546
Toto	MH	CW162Y
Villeroy & Boch	Omnia classic	66 65 10
	Omnia O.novo	66 95 10
	Antheus	46087R0

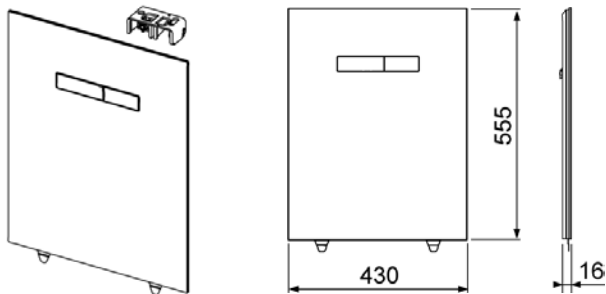
(Listing without claim to completeness!)

Product range

Upper glass flush plates with actuation unit

Upper glass flush plates with manual operating unit

Upper glass flush plate for TECElux module with two-spring mounted flush buttons.



Including actuation rods and mounting material.

Dimensions: 430 x 555 x 16 mm

Design - white glass, white buttons:

Item no. 9650000

Design - white glass, bright chrome buttons:

Item no. 9650001

Design - black glass, black buttons:

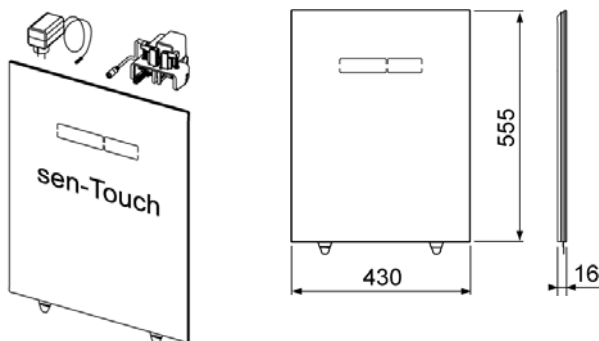
Item no. 9650005

Design - black glass, bright chrome buttons:

Item no. 9650004

Upper glass flush plate with electronic "sen-Touch" actuation

Upper glass flush plate with actuation unit for TECElux module with electronic "sen-Touch" flush buttons and mounting material.



Incl. plug-in power supply (230 V supply voltage) with dual quantity actuation motor.

Dimensions: 430 x 555 x 16 mm

Design - white glass

Item no. 9650002

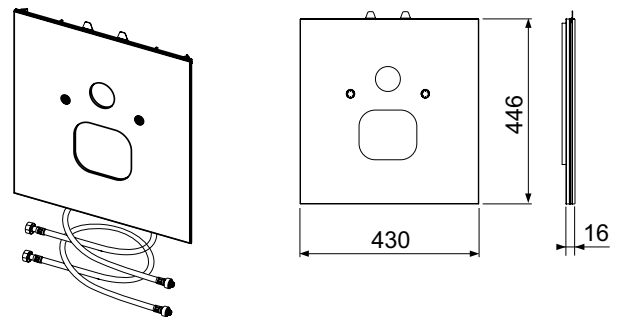
Design - black glass

Item no. 9650003

Lower toilet attachment glass panels

Lower glass panel for TECEone

Lower glass panel for combination with the TECEone ceramic with shower function.



Includes sound insulation kit and two long reinforced hoses for the hot and cold water connections.

Dimensions: 430 x 445 x 16 mm

Design - white glass

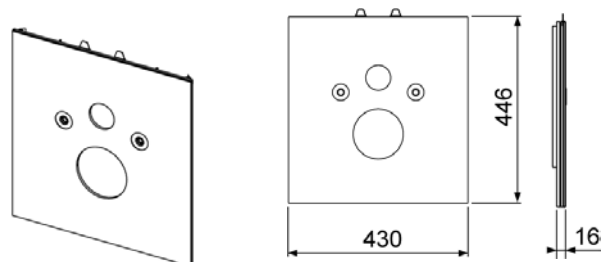
Item no. 9650109

Design - black glass

Item no. 9650110

Lower attachment glass panel for standard toilet

Lower glass panel for combination with toilet ceramics, installation spacing 180 mm.



incl. sound insulation kit

Dimensions: 430 x 445 x 16 mm

Design - white glass

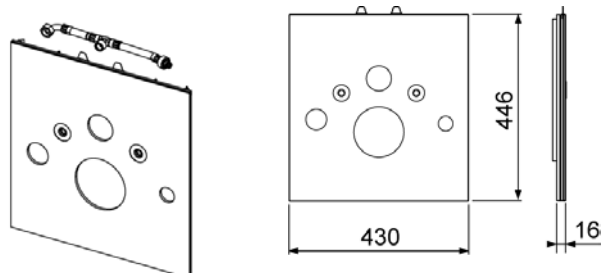
Item no. 9650100

Design - black glass

Item no. 9650105

Lower glass attachment panel for shower toilet (Toto, Geberit)

Lower glass panel for combination with shower toilet TOTO Neorest AC and EW or Geberit AquaClean 8000/8000 plus.



incl. sound insulation kit and replacement reinforced hose for cistern.

If a TOTO shower toilet is installed, use shower toilet connection set (9660 001).

Dimensions: 430 x 445 x 16 mm

Design - white glass

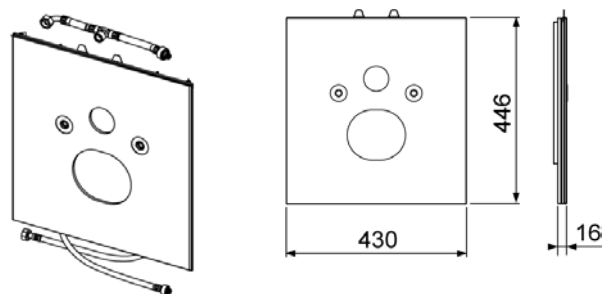
Item no. 9650101

Design - black glass

Item no. 9650106

Lower glass panel for Duravit shower toilet.

Lower glass panel for combination with Duravit shower toilet SensoWash C.



incl. sound insulation kit, replacement reinforced hose and long reinforced hose.

Dimensions: 430 x 445 x 16 mm

Design - white glass

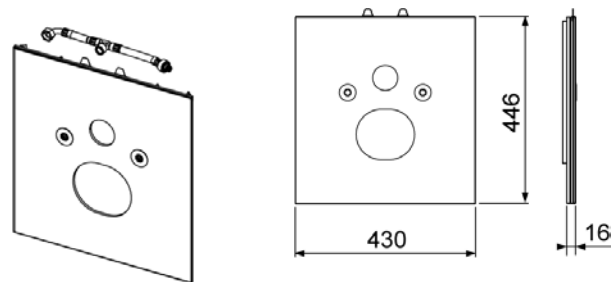
Item no. 9650103

Design - black glass

Item no. 9650107

Lower glass panel for Geberit Aquaclean Sela shower toilet.

Lower toilet glass panel for combination with Geberit AquaClean Sela shower toilet.



incl. sound insulation kit, and long reinforced hose.

Dimensions: 430 x 445 x 16 mm

Design - white glass

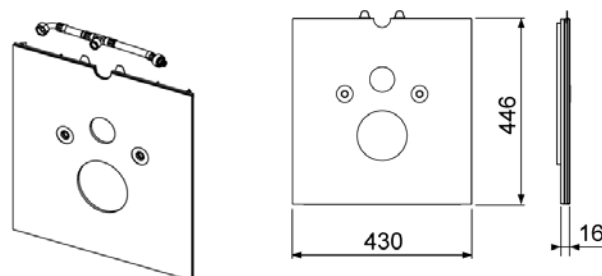
Item no. 9650104

Design - black glass

Item no. 9650108

Lower glass attachment panel for shower toilet seat

Lower glass panel for combination with shower toilet seat TOTO Washlet GL and EK, Washlet Giovannoni, V & B ViClean U and Geberit Aquaclean 5000 and 5000 plus.



incl. sound insulation kit and replacement reinforced hose for cistern.

If a TOTO shower or V & B shower toilet seat is installed, use shower toilet connection set (9660001).

Dimensions: 430 x 445 x 16 mm

Design - white glass

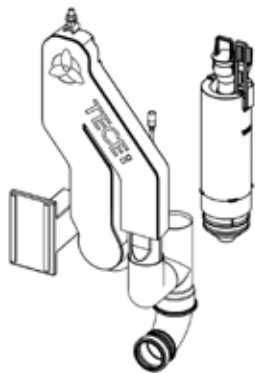
Item no. 9650102

Product range

Accessories

“ceramic-Air” odour extraction upgrade kit

Upgrade kit for subsequent installation of “ceramic-Air” odour extraction for TECElux 100 or TECElux 200 toilet terminals.

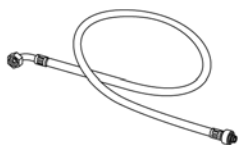


Upgrade kit consists of:

- odour extraction housing incl. fan and air outlet
- Filter cartridge
- Mounting materials
- Flush pipe with connection for odour extraction
- Drain valve

Item no. 9660000

Connection set for shower toilet



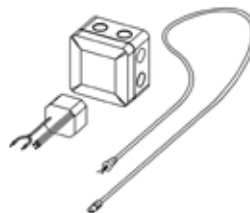
Connection set consisting of:

- long reinforced hose with connection for TOTO Neorest, TOTO Washlet and V & B ViClean U

Item no. 9660001

Connection set for electrical connection

For permanent electrical connection of the “sen-Touch” glass panel in protection area II.

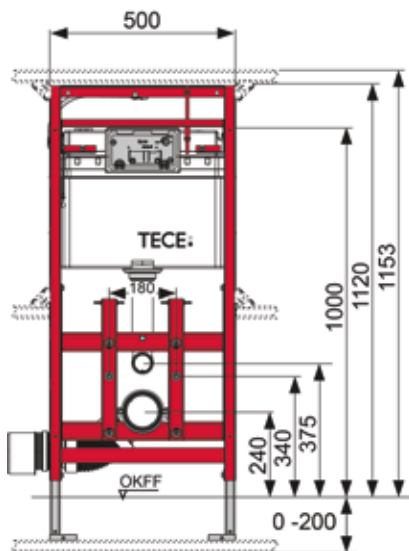


Connection set consisting of:

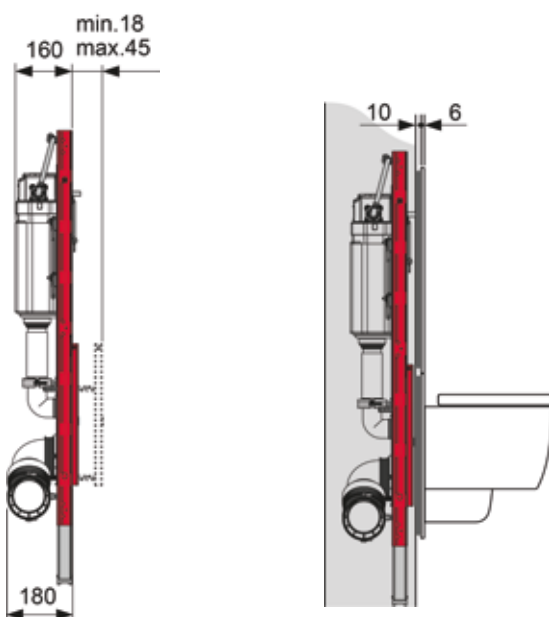
- Empty socket, protection class IP 44
- Transformer 230 / 12 V
- “sen-Touch” power cable

Item no. 9660002

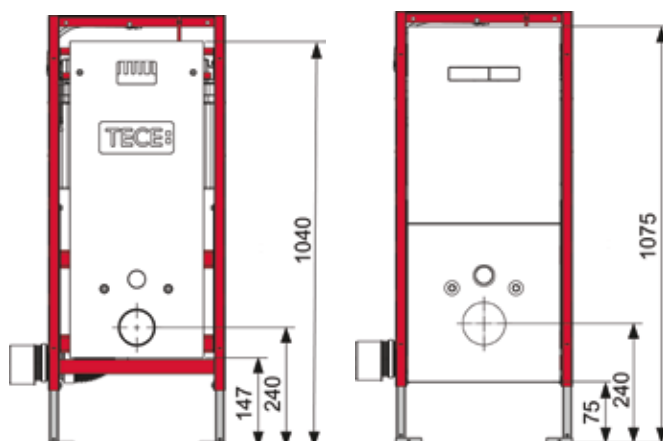
Shell installation



TECElux module dimensions — front view



Dimensions side view and wall structure after fine installation



Dimensions of TECElux module with bare-wall protection and mounted glass panels

Universal module technology is also used with the TECElux modules. This also increases the possible areas of installation:

- In a TECEprofil pre-wall
- In front of a solid wall
- In a C-profile wall
- In a UA-profile wall
- In a wooden stud wall

Installation in a TECEprofil pre-wall



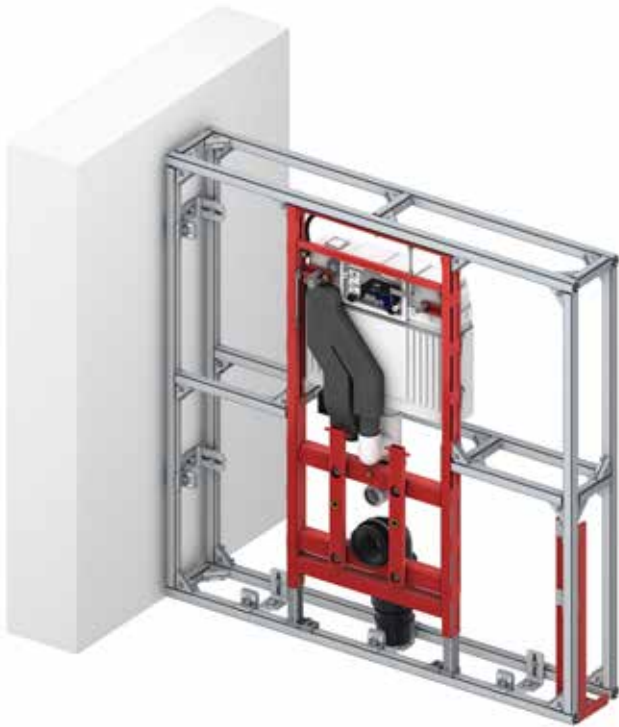
Installation in a TECEprofil pre-wall

The simple mounting technology enables you to work swiftly and reliably. TECElux modules can be integrated quickly and safely into a TECEprofil wall in a few simple steps:

- Release the foot brake
- Place the module foot on the lower continuous profile strut
- Pull the module out: the foot brake is tight enough to hold the weight of the module and prevent it from slipping back
- Attach the module to the top profile strut with corner joints
- Apply the foot brake again
- Tighten the module feet only hand-tight!
- Mounting of the middle profile strut

In addition to installation in a pre-wall, the module can also be mounted in a free-standing wall made up of TECEprofil system parts:

Shell installation



Installation in a free-standing TECEprofil wall

Installation as an individual module in front of a solid wall

The TECElux module is also suitable for individual assembly. Compatible attachments are available for various installation situations. The TECElux module is statically designed so that, in standard cases, it only has to be attached to the load-bearing structural shell at four points. The mounting material supplied with the attachment units is suitable for mounting on solid walls. When fastening in front of plasterboard walls, use suitable cavity anchors. In addition, reinforcement of the plasterboard wall must be provided at the point of attachment. The procedure must be coordinated with the drywall contractor. The installation instructions of the drywall system used must be observed.

Individual module assembly with depth-adjustable universal fasteners

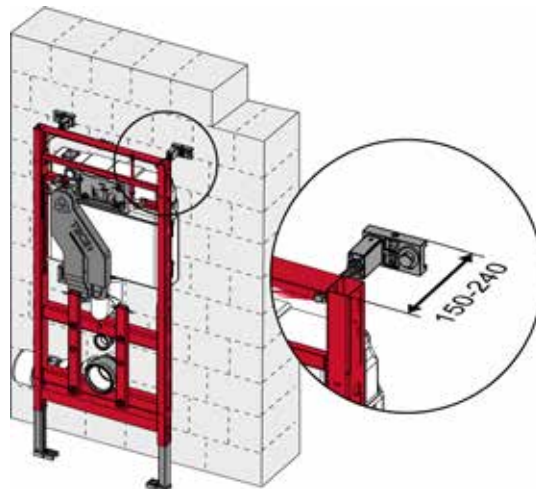


Individual module installation with depth-adjustable universal fasteners

The universal module is placed directly against the wall. The pre-wall depth can be adjusted using the universal fasteners. The module height can be adjusted via the extractable module feet. The foot brake prevents the module from sinking down. This allows the module to be accurately positioned before the module feet and universal fastener are attached to the structural shell.

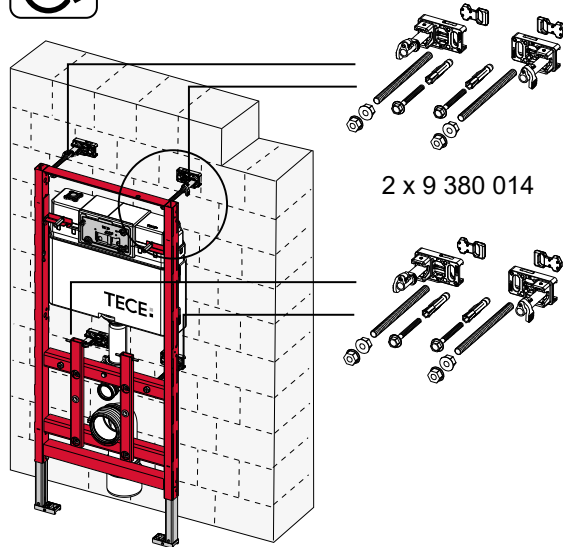


Universal fastener 9380014



Adjustment range of universal fastener 150 – 240 mm

When using the TECElux 100 without barriers in front of a solid wall, an additional mounting set is required around the basin of the module.



Adjustment range of universal fastener 150 – 240 mm

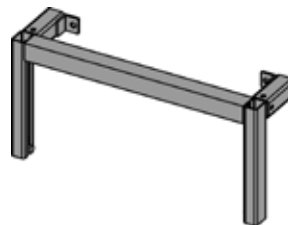
Mounting in this way with four attachments is sufficient to meet the increased static demands of a barrier-free toilet system. The lower mounting set is not required for TECElux 200 or 400 due to the stronger frame construction.

Individual module assembly with height-adjustable module fastener

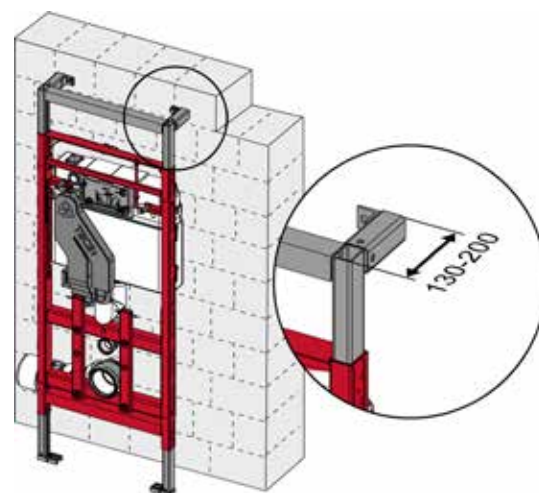


Individual module assembly with height-adjustable module fastener

With the height- and depth-adjustable module fastening, variable supporting structure heights of 1160 mm to 1300 mm can be realised. It allows, for example, the module height to be adjusted to suit a given tile pattern.



Universal fastener 9380002



Adjustment range of the height-adjustable module fastener 130 – 200 mm

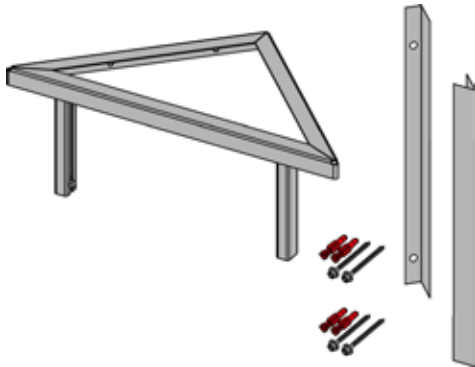
Shell installation

Installation with module fastener for wall corner installation

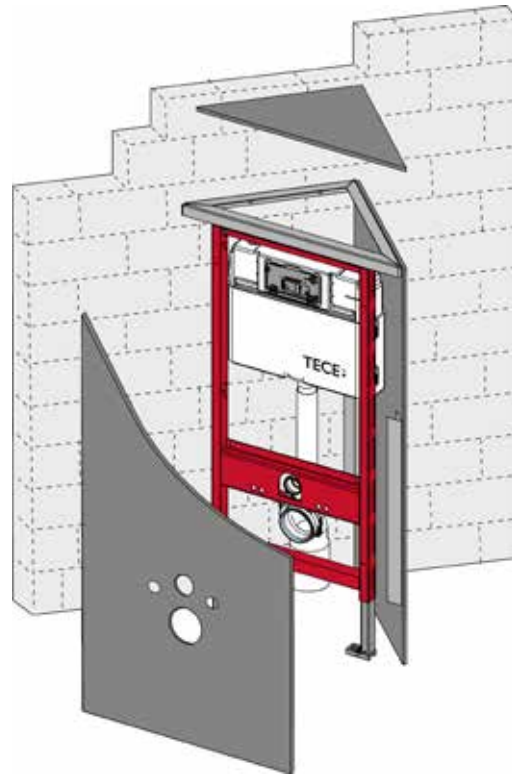


Single module assembly with module fastener for wall corner assembly

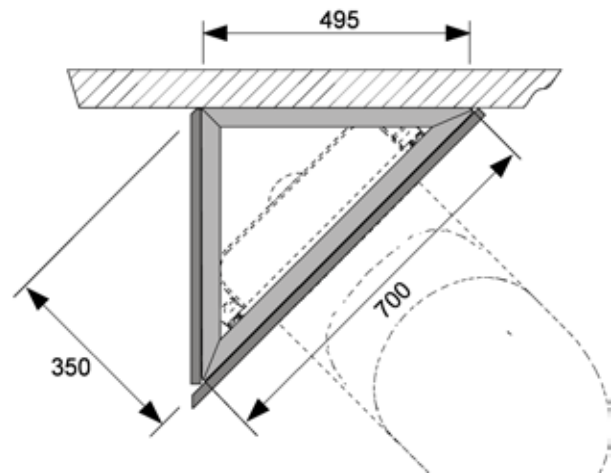
The module fastener for wall corner installation allows TECElux modules to be attached to a solid structural wall at an angle of 45°. In this case, the fastening is only screwed to the structural shell on one side. Two angle brackets are included for mounting the cladding. Thanks to the small side length of the fastener, structures with a base area of just 0.14 m² are possible.



Module fastener for corner assembly 9380004



Installation of the module fastener for corner assembly



Dimensions of module fastener for corner assembly

Installation with module fastener for variable corner assembly

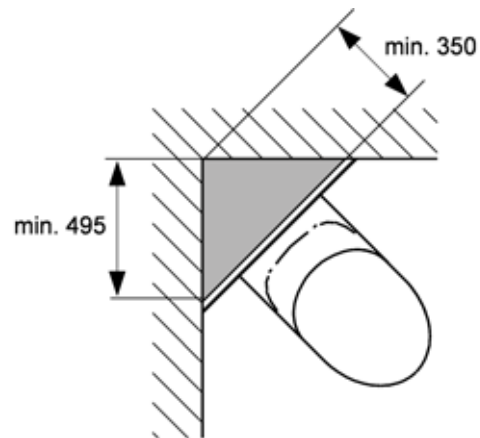


Module fastener for variable corner assembly 9380003

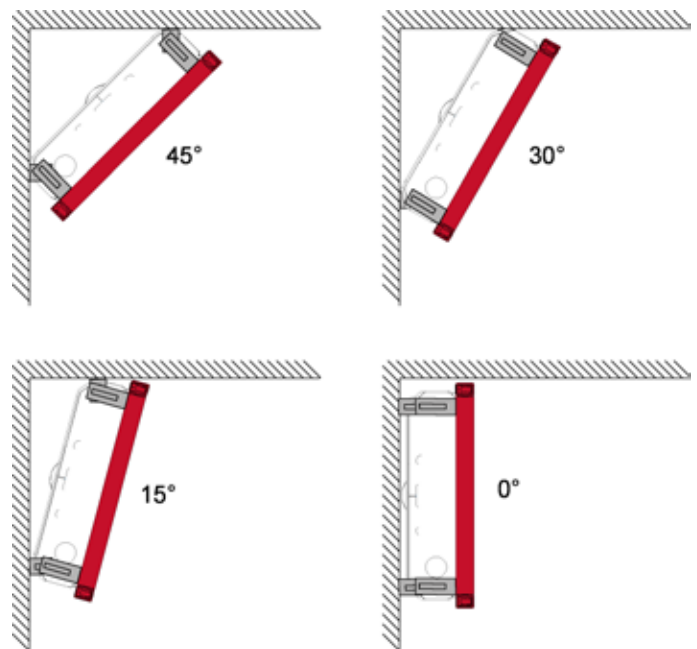


Installation of module fastener for variable corner assembly

The universal module can be directly attached to the structural shell with the corner attachments. The corner attachment enables a TECEprofil strut to be mounted in parallel. A storage surface can be created with two TECEprofil struts, an angle bracket and a corner joint. The corner assembly requires very little space. The mounting set has a side length of just 49.5 cm. The depth from the front edge of the module up to the corner is just 35 cm. Despite the small installation depth, a DN 100 drain pipe can be installed behind a toilet module.



Dimensions of module fastener for variable corner assembly



Installation examples with module fastener for variable corner assemblies

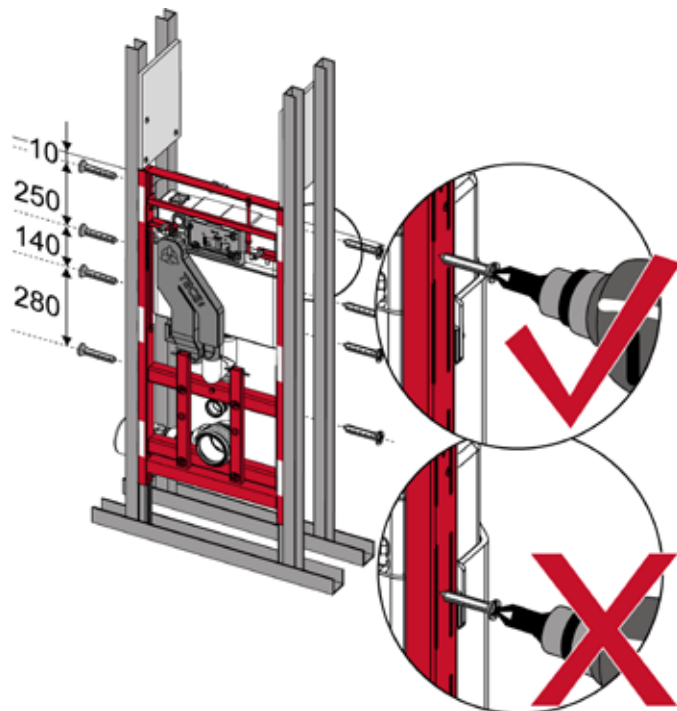
Shell installation

Installation in C-profile metal stud wall



Installation in C-profile metal stud wall

The module is screwed to the wall profiles at four points each using the self-tapping screws provided. The module feet are at the front under the horizontal C-profile and can be dowelled to the floor.



Module fastener for installation in a room-high C-profile metal stud wall

Follow the installation instructions for the dry-wall system used.

Installation in floor-to-ceiling metal stud wall with UA-profiles



Installation in a floor-to-ceiling UA-profile metal stud wall

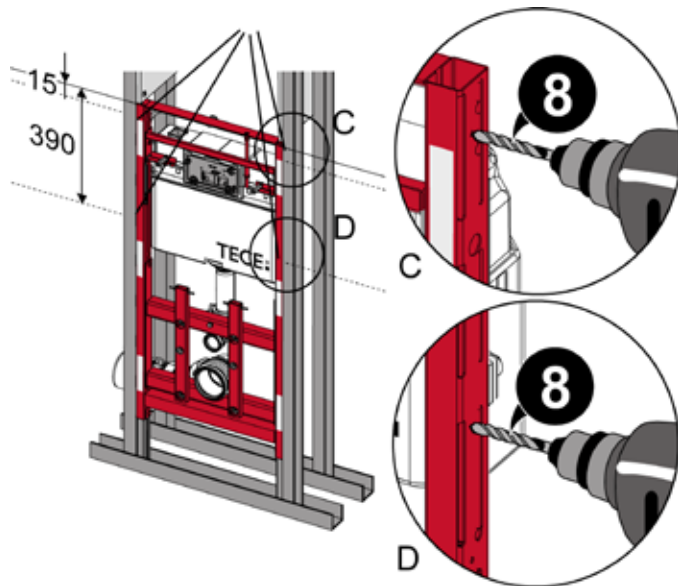
If particularly wide or high walls are to have a higher rigidity, UA-profiles can be used instead of C-profiles. This measure is only relevant for toilet and bidet modules.

For a handicapped accessible toilet facility, only UA-profiles may be used for the front and rear struts to provide sufficient strength.

To attach a TECElux module 200 or 400, two holes (8 mm) must be drilled on both sides of the TECElux module frame at a distance of 15 and 390 mm beneath the upper edge of the module.

The module is then attached to the UA-profile using mounting set (9380006).

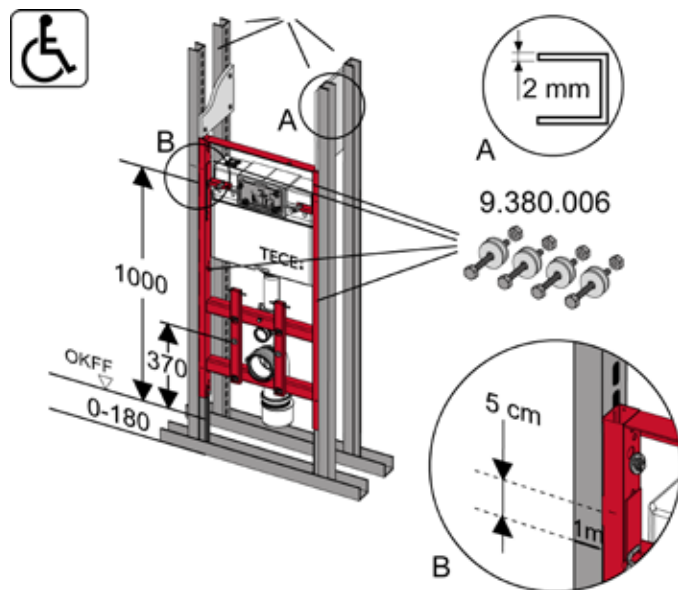
Installation in a wooden stud wall



Mounting holes must be drilled to attach the module

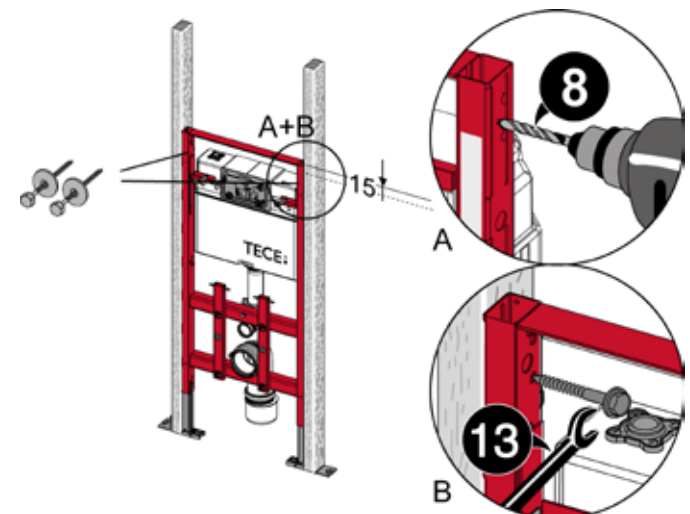
Installation in a wooden stud wall

As well as metal stud walls, the module can also be installed in wooden stud walls. The frame can be mounted using special wood screws (item no. 9380005) on the vertical struts.



Module fastener for installation in a floor-to-ceiling UA-profile metal stud wall

When installing, ensure compliance with local regulations and guidelines.



Module fastener for installation in a wooden stud wall

To attach a TECElux module 200 or 400, two holes (8 mm) must be drilled on both sides of the TECElux module frame at a distance of 15 and 390 mm beneath the upper edge of the module. The module is then attached to the wooden studs.

The local regulations and guidelines must be observed during installation.

Shell installation

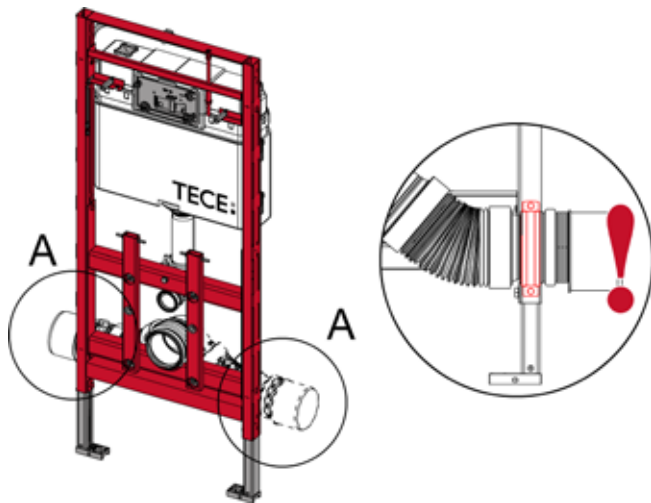
Attaching individual modules to the floor

Unless screwed tightly to a profile pipe, the feet of the TECElux modules should be attached to the bare floor using the screws and wall plugs supplied. The entire length of the wall plugs must be anchored in the screed. The compression strength of the screed must be at least 5 N/mm². For mounting on a wooden floor, reliable fastening to the floor structure must be ensured.

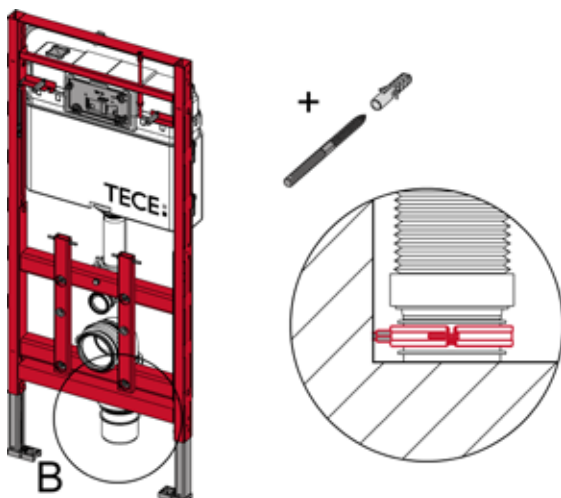
Connecting the drain bend

The drainage bend can be used to create a transition to the DN 90 or DN 100 push-in socket. A welded connection is possible with the DN 90 connection pipe of the flexible drain bend (only for modules with "m-Lift" function TECElux 200 and 400).

The flexible drain bend can be installed horizontally on both sides, or vertically downwards.

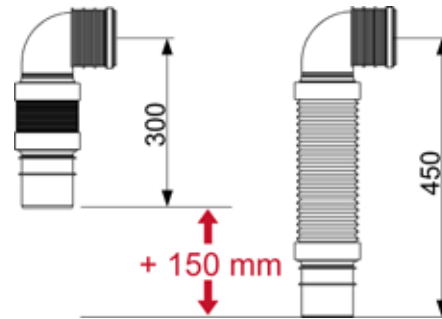


Horizontal installation of the flexible drain bend (TECElux 200 and 400)



Vertical installation of the flexible drain bend (TECElux 200 and 400)

If installed horizontally, the fastening clip is directly screwed onto the module frame. If installed vertically, the clip must be screwed into the wall.



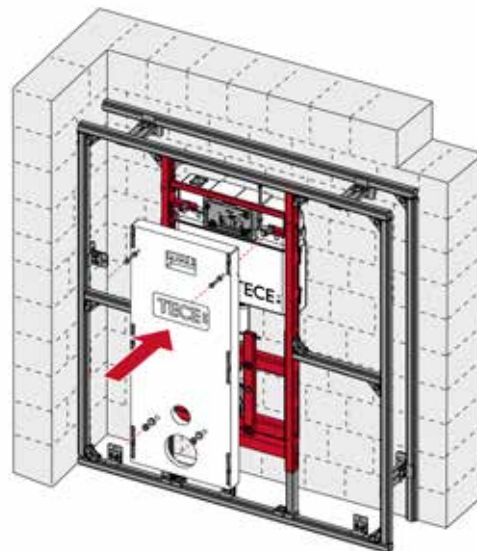
Flexible length extension

If the flexible drain bend is used, cleaning spirals should not be inserted as they could damage the flexible element.

Cladding and wall structure

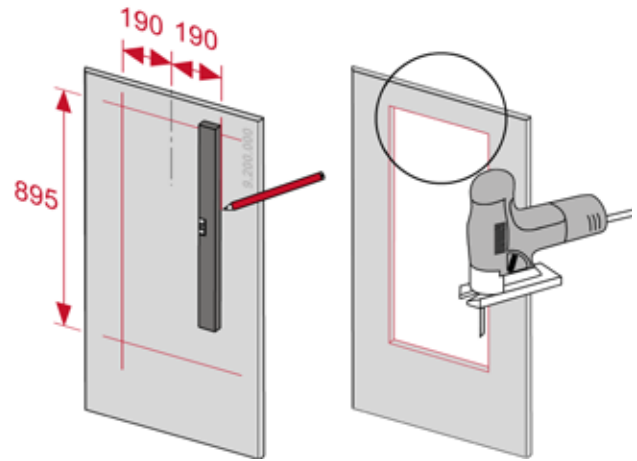
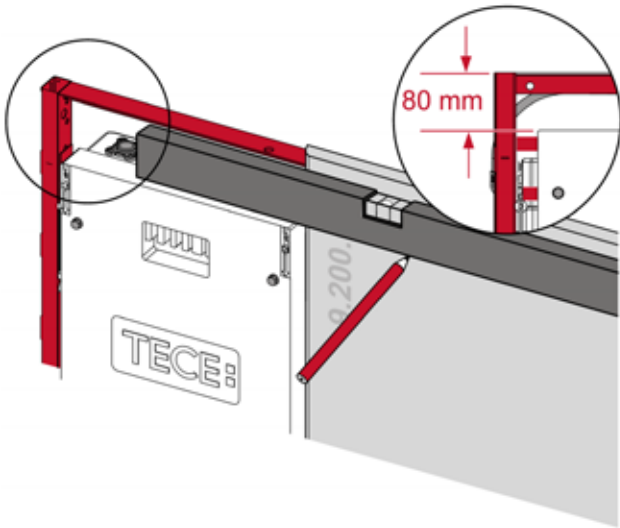
The pre-wall is clad with conventional wet room boards (e.g. TECEprofil panel plates 9200000), at least 18 mm or 2 x 12.5 mm.

The large bare-wall protection must also be mounted.



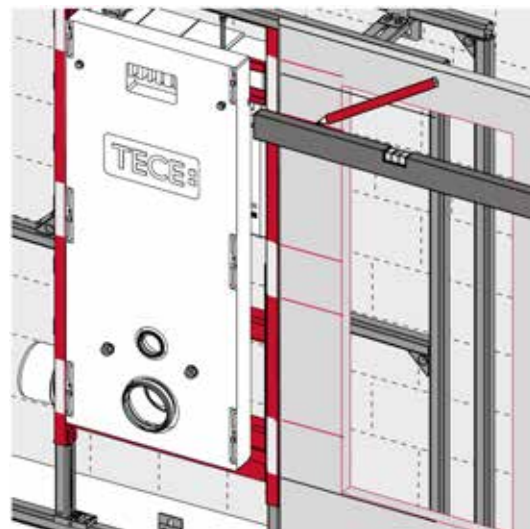
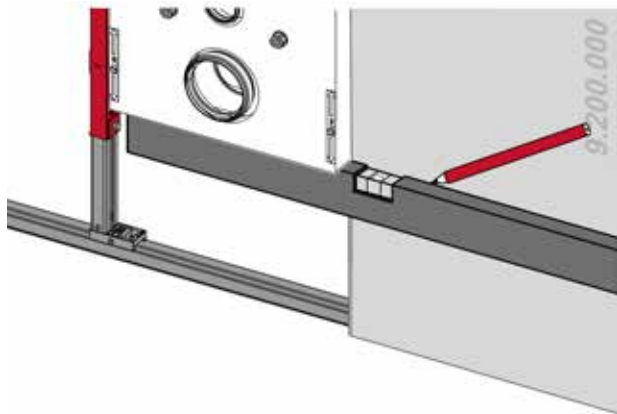
Attach the bare-wall protection to the module

Apply the exact dimensions of the bare-wall protection to the plaster board.



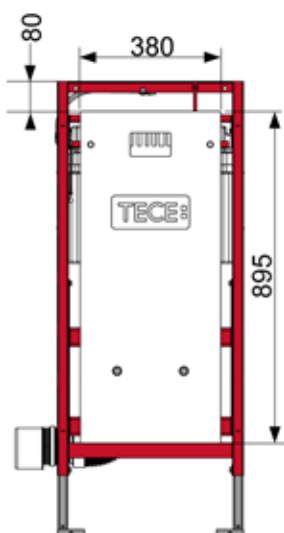
Cutting out the wall recess

To ensure the height adjustment of both TECElux 200/400 modules, the module frames should not be drilled through in certain areas. These are indicated by 2 x 3 stickers on the frame.

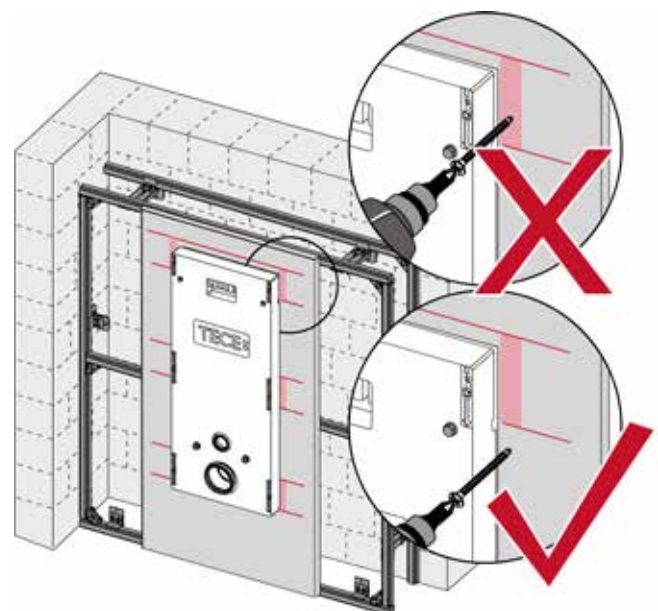


Apply the top and bottom markings to the panel plates

Transfer the markings to the plaster board



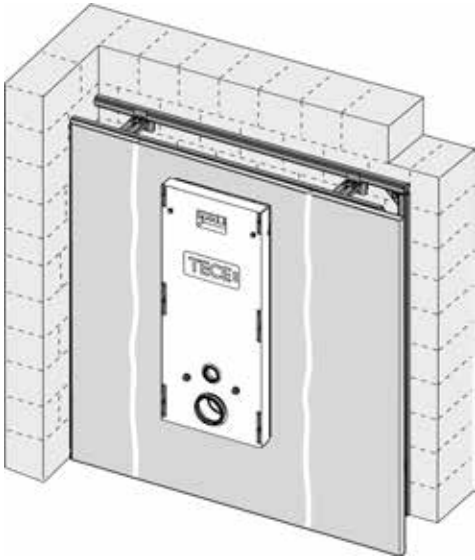
Dimensions of bare-wall protection or wall recess



Do not drill through the indicated areas

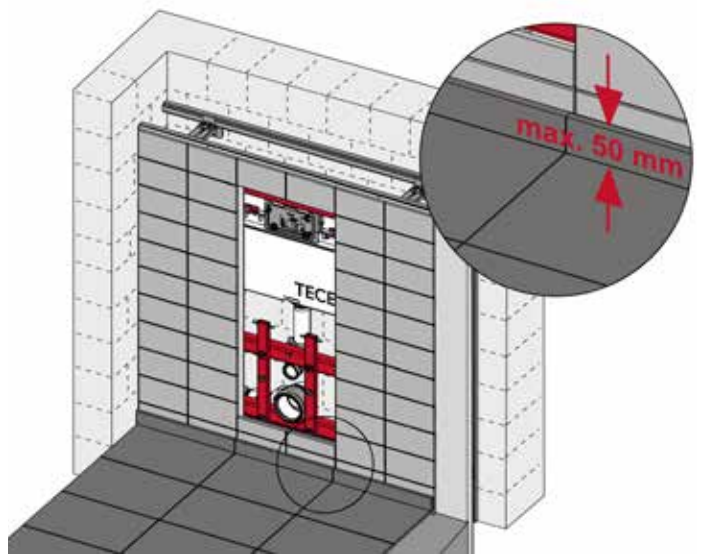
Shell installation

After attaching the panel plates, cover the welts.

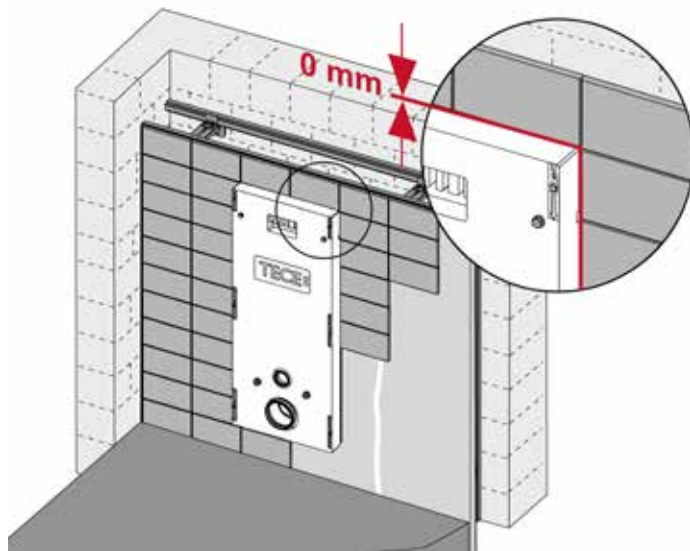


Covering welts of the plaster board.

When tiling the wall, make sure that the wall covering is applied seamlessly right up to the bare-wall protection.



Plinth height max. 50 mm

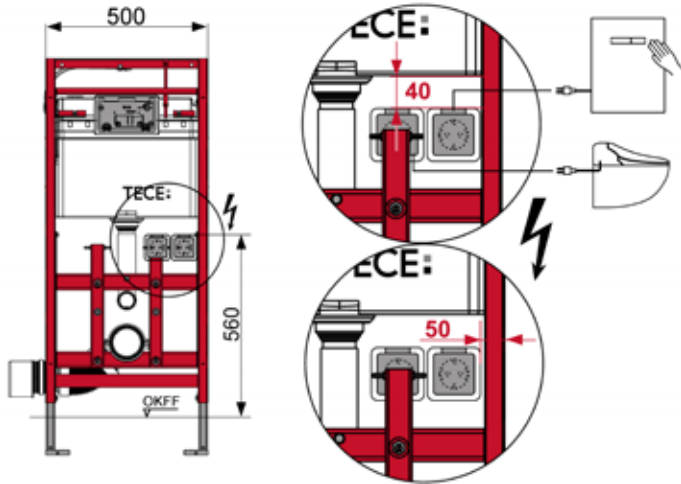


Applying the wall covering

When tiling the floor, make sure that the plinth height is maximum 50 mm, otherwise the lower attachment glass panel could collide with the plinth.

Power supply

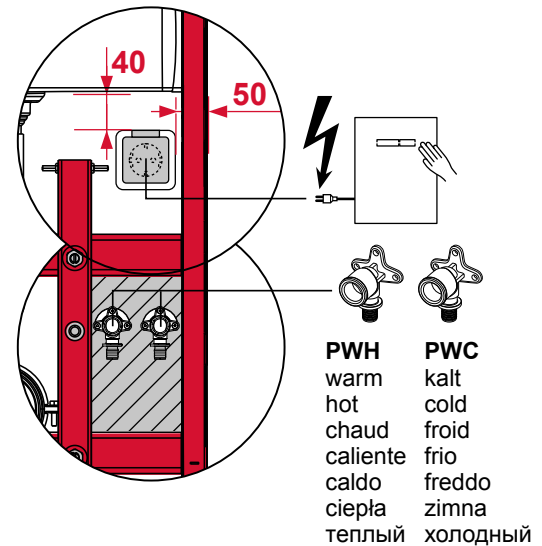
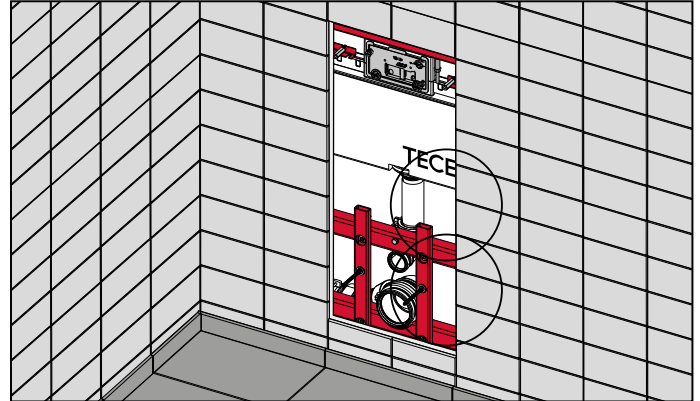
When installing the power supply, ensure compliance with local regulations and guidelines.



Positioning the socket(s) on the TECElux module

Power and water connection with TECEone

When using a TECEone with a TECElux module, a power supply is only necessary if a “sen-Touch” flush plate is used.



Position of socket and corner valves with TECEone

For the corner valves, we recommend the position shown at the top as this provides access by lifting off the upper flush plate. The length of the two reinforced hoses included with the lower glass panel for TECEone, is adapted to this mounting situation.

Fine installation

Fine installation

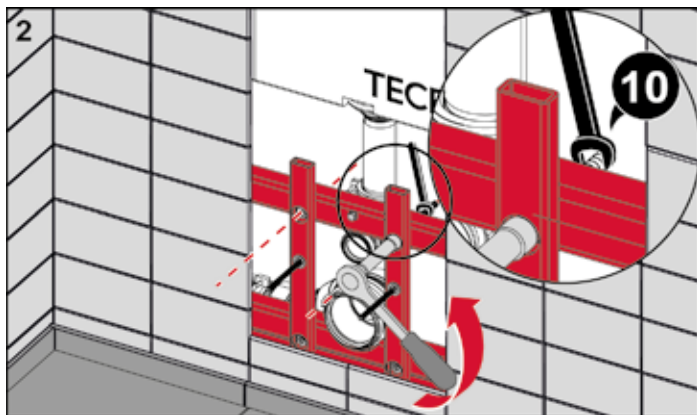
The order of the fine installation for the TECElux terminal is as follows:

- Lower attachment glass panel
- Height adjustment, if applicable
- Upper glass flush plate with actuation unit

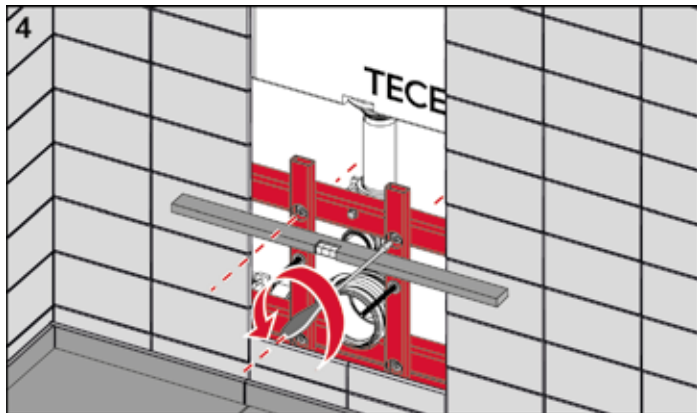
Lower attachment glass panel for standard toilet

Remove the bare-wall protection.

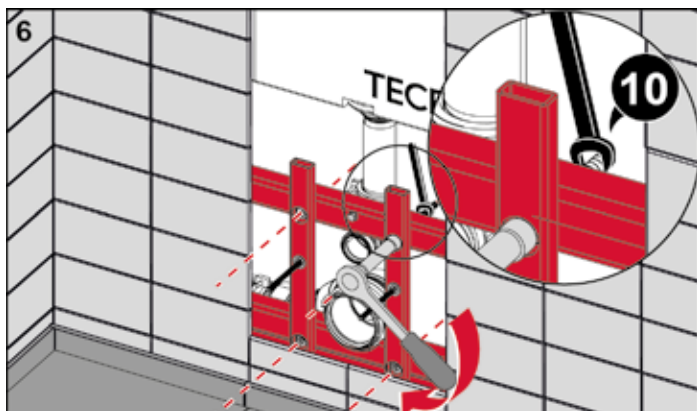
Remove the splash guard, sufficiently flush out the connecting pipe and screw onto the filling valve.



Remove the attachment nuts (x 4) on the depth adjustment, securing the threaded rods at the back.



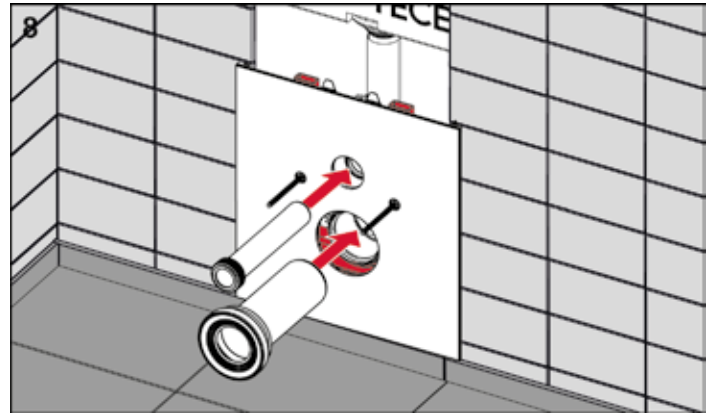
Adjust the lower glass panel at the top and bottom so that it fits flush against the wall, and tighten or loosen the four threaded rods with a flat-head screwdriver.



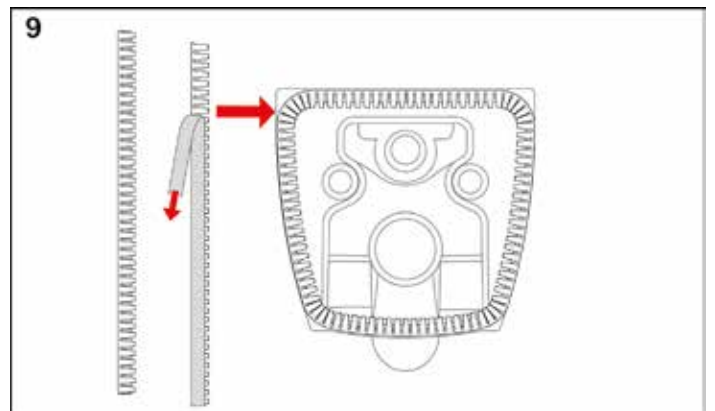
Now secure the threaded rods at the back and tighten the locking nuts.

Mount the lower attachment glass panel.

Cut the toilet connection set to a suitable length and plug it in.



Mount the sound insulation strips on the ceramics.

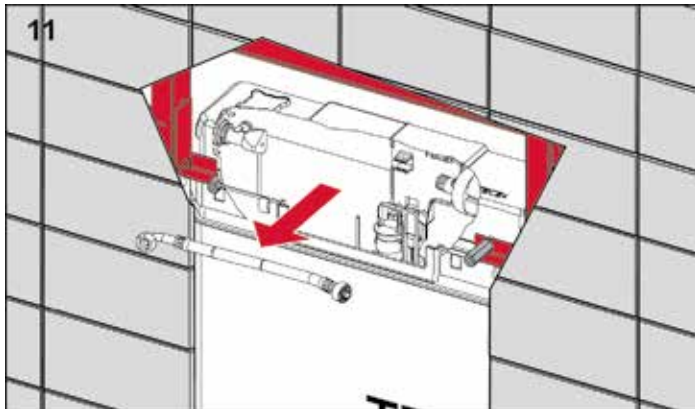


Align the glass panel and mount the toilet ceramics.

Lower attachment glass panel for shower toilet and seats

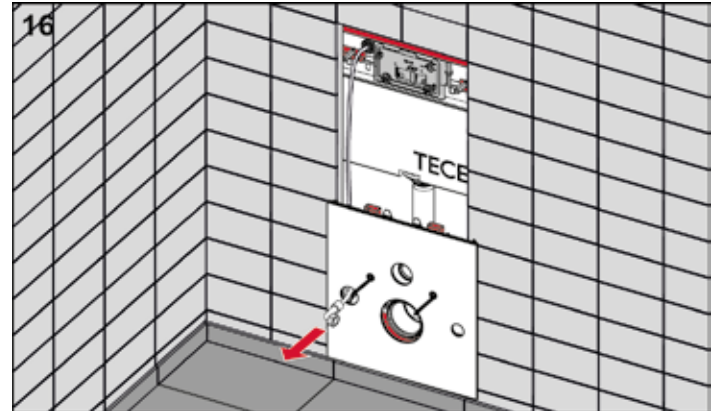
For the attachment plates for various shower toilets or attachments, the first installation steps (flushing the pipe, aligning the support of the plate, ...) are identical as for all lower glass panels.

The reinforced hose is then exchanged for the replacement reinforced hose with water connection for shower toilets or attachments.



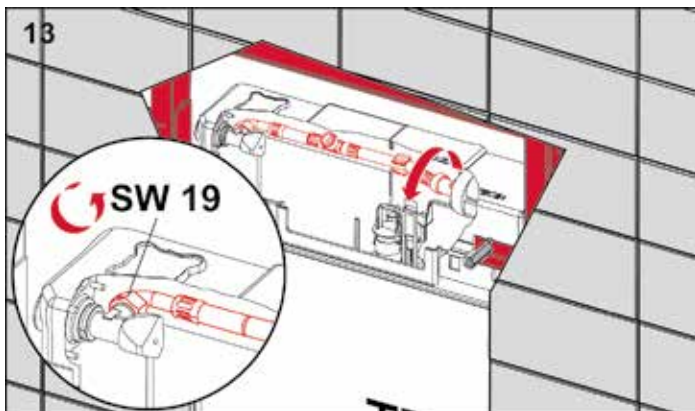
Lower attachment glass panel for TOTO Neorest and Geberit AquaClean 8000, 8000 plus (item no. 9650101/...106)

Mount the lower attachment glass panel.



Guide the reinforced hose through the hole provided for the purpose in the glass panel.

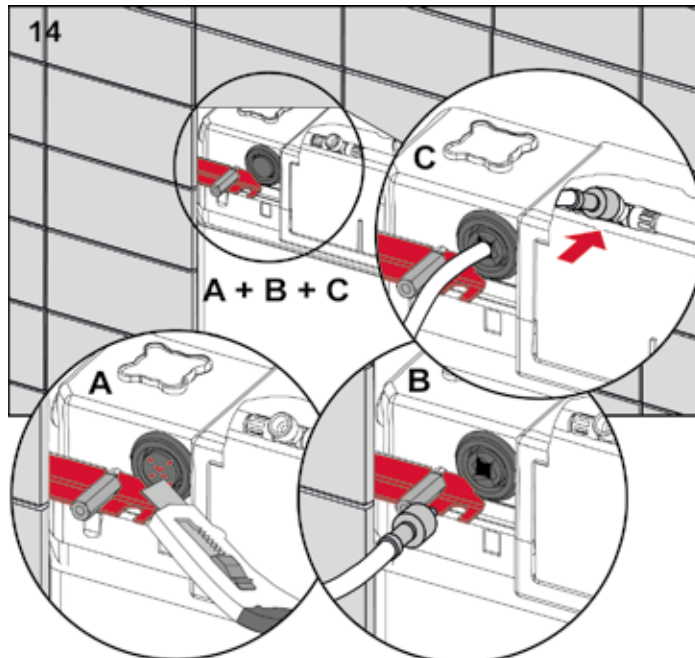
Cut toilet connection set to length and plug in, attach sound insulation strip to ceramics.



Cut the insertion opening with a cutter knife, insert the connecting reinforced hose into the cistern and connect it.



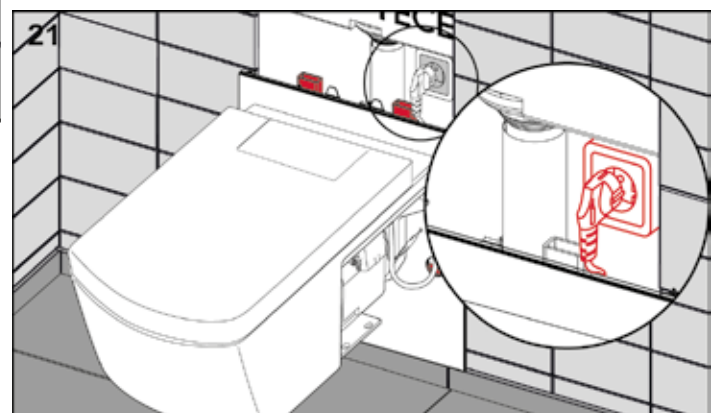
Mount and align the shower toilet.



Caution!

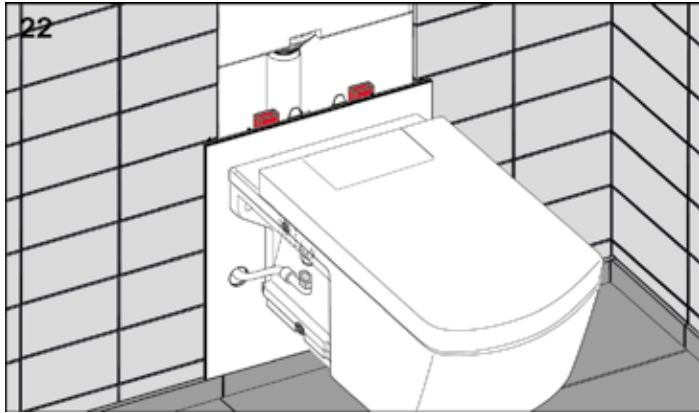
On the TOTO Neorest and Washlet, use the long reinforced hose (item no. 9660001)!

After this preparation, the actual installation of the glass panel takes place, which varies depending on the plate type:



Connect the power supply: insert the plug into the socket.

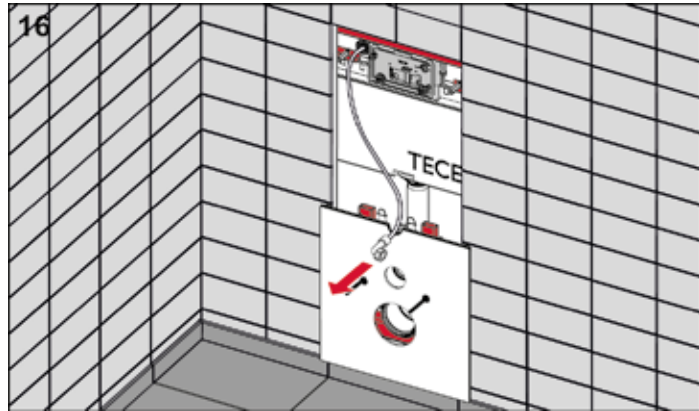
Fine installation



Connect the reinforced hose to the shower toilet.

**Lower attachment glass panel for
TOTO Washlet and Geberit AquaClean 5000, 5000 plus
(item no. 9650102)**

Mount the lower attachment glass panel

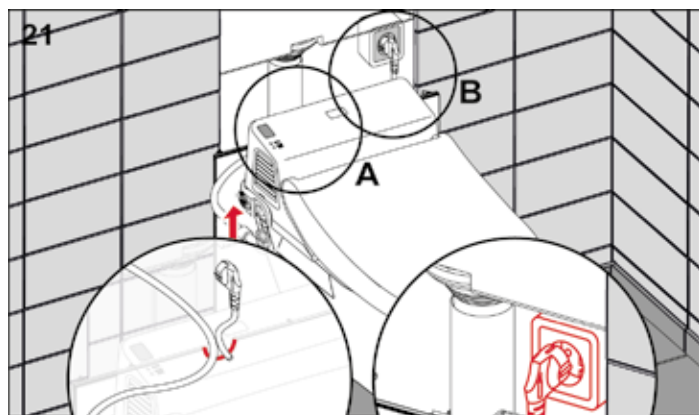


Guide the reinforced hose through the top cut-out in the glass panel.

Cut the toilet connection set to a suitable length and plug it in.

Mount the sound insulation strips on the ceramics.

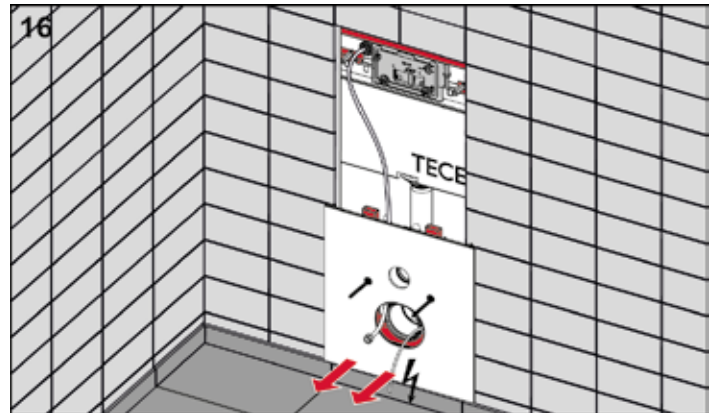
Mount and align the toilet ceramics.



Connect the connecting reinforced hose to the shower toilet seat (A) and connect the power supply: Insert the plug into the socket (B).

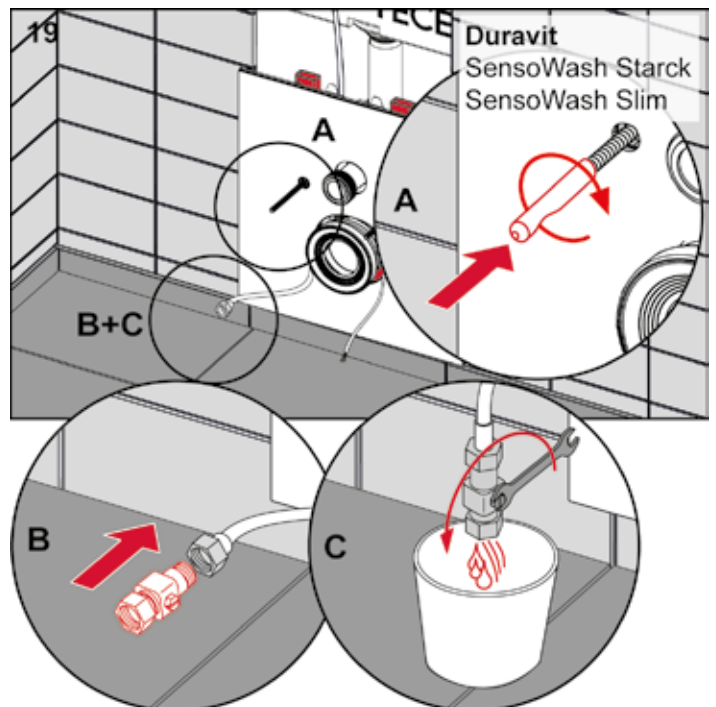
**Lower attachment glass panel for Duravit SensoWash
Starck C (item no. 9650103/...107)**

Mount the lower attachment glass panel.



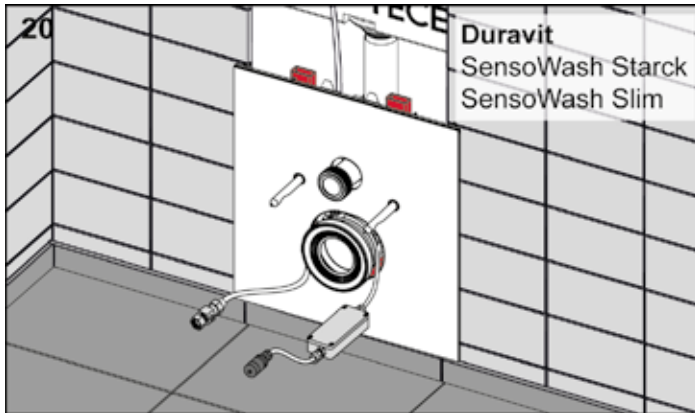
Guide the reinforced connection hose and power cable through the drain connection opening of the glass panel. Cut the toilet connection set to a suitable length and plug it in.

Mount the sound insulation strips on the ceramics.

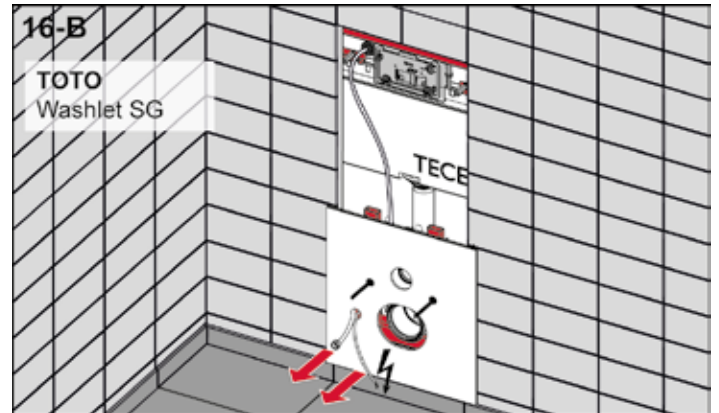


According to Duravit or V & B assembly instructions:

- (A) Install the Duravit concealed mounting (Durafix)
- (B) Mount the Duravit SensoWash C water shut-off valve
- (C) Sufficiently flush out the reinforced hose



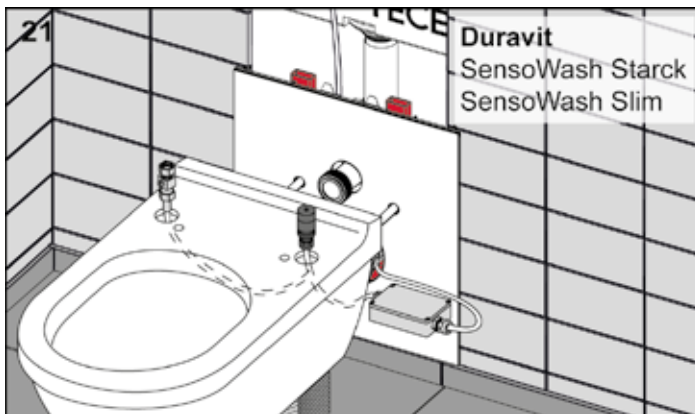
Mount the Duravit electronic connection box (following the Duravit assembly instructions) or V & B connector plug (following the V & B assembly instructions).



Guide the reinforced hose and the power cable through the waste water connection opening or the opening on the side of the glass panel.

Cut the toilet connection set to a suitable length and plug it in.

Mount the sound insulation strips on the ceramics.

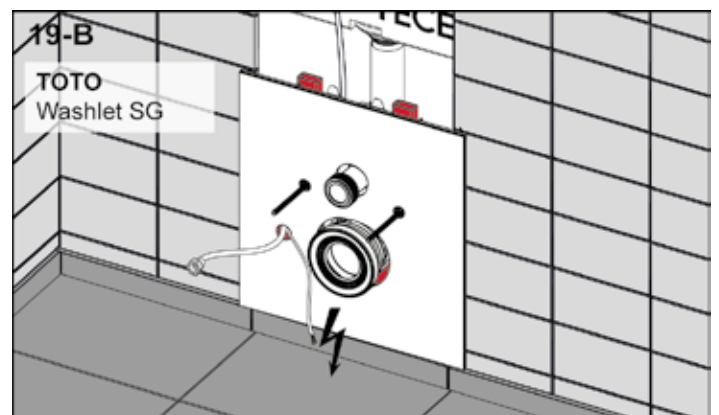
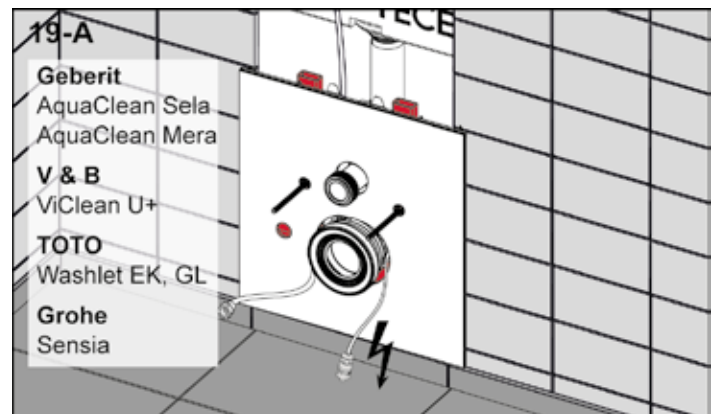


Guide the power and water connections through the ceramic according to the Duravit or V & B assembly instructions.

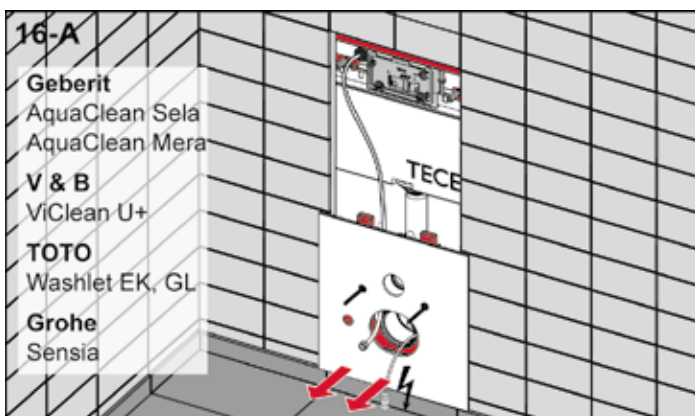
Mount the toilet seat according to Duravit or V & B assembly instructions.

Lower attachment glass panel for Geberit AquaClean Sela (item no. 9650104/...108)

Mount the lower attachment glass panel.



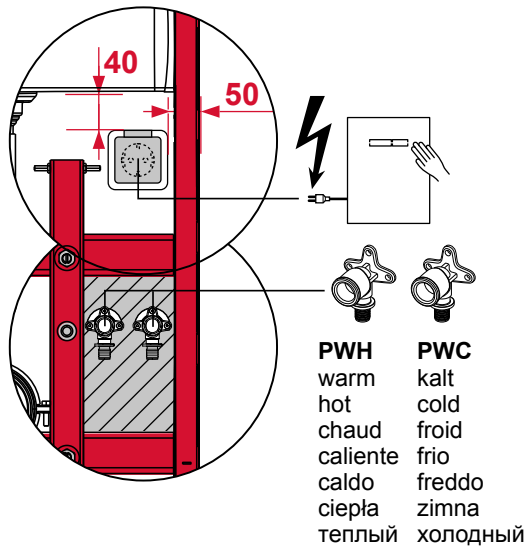
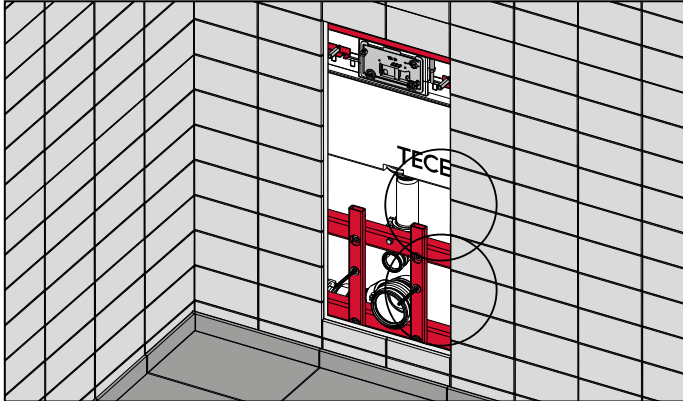
All the other assembly steps are described in detail in the instructions of the respective shower toilet manufacturers.



Fine installation

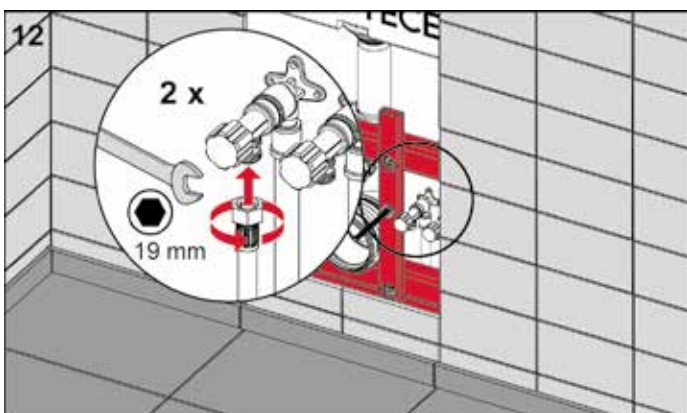
Lower attachment glass panel for TECEone

When using a TECEone with a TECElux module, a power supply is only necessary if a “sen-Touch” flush plate is used.

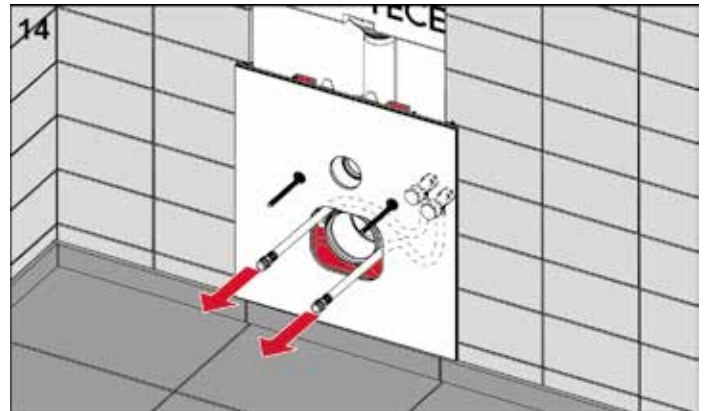


Position of socket and corner valves with TECEone

For the corner valves, we recommend the position shown at the top as this provides access by lifting off the upper flush plate.



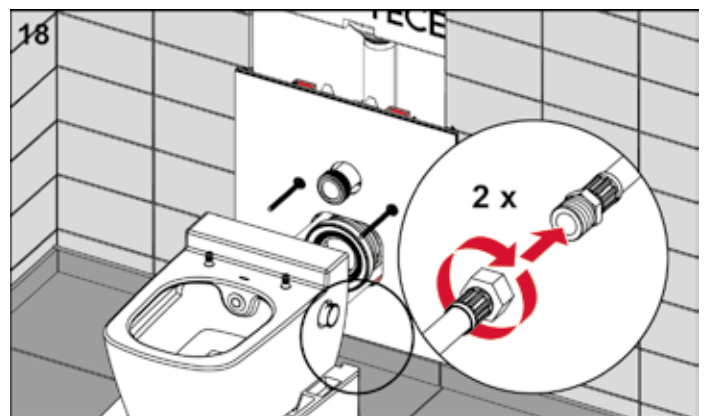
Screw in both corner valves and screw the enclosed reinforced hoses onto the corner valves.



Put the glass panel in place and guide the reinforced hoses through the large opening in the glass panel to the front.

Cut the toilet connection set to a suitable length and plug it in.

Mount the sound insulation strips on the ceramics.



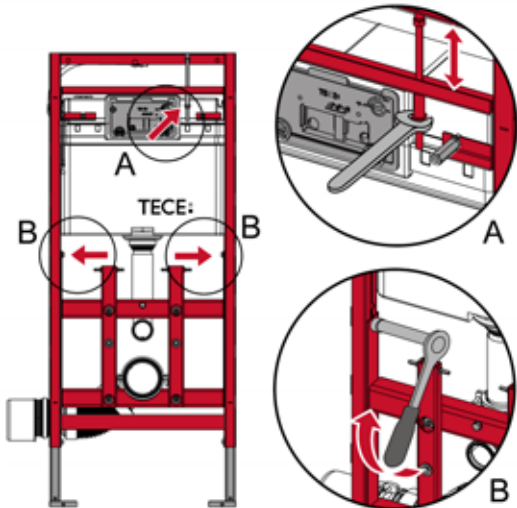
Connect the reinforced hoses to the TECEone connection hoses.



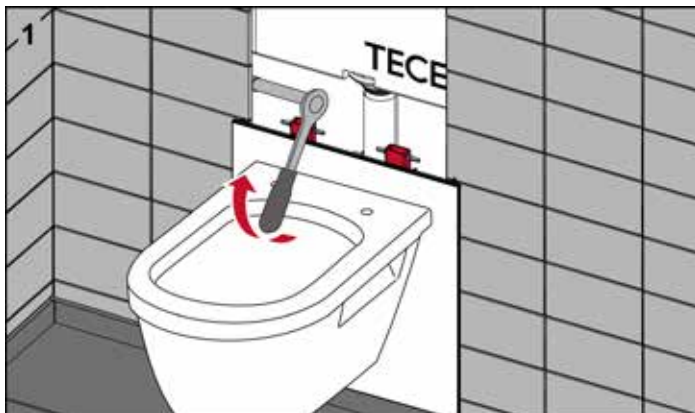
All the other assembly steps are detailed in the TECEone assembly instructions.

“m-Lift” height adjustment

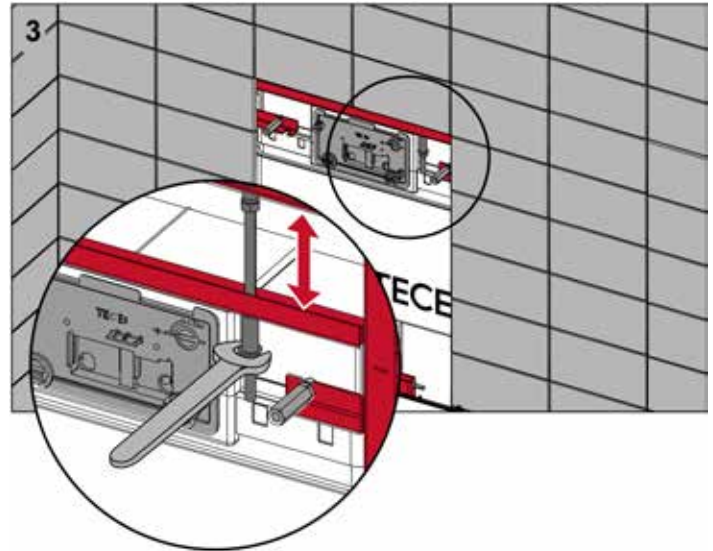
For modules with manual “m-Lift” height adjustment, the adjustment is carried out by means of an easily accessible adjusting screw (A).



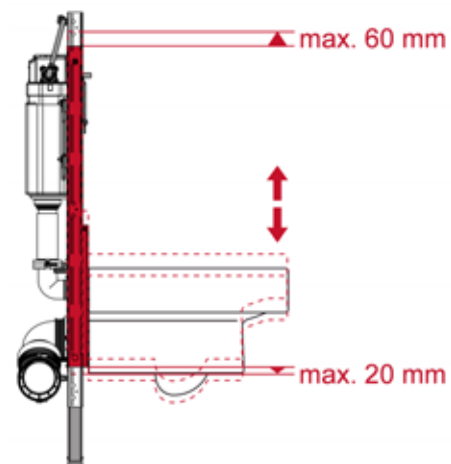
If toilet ceramics are already mounted, slightly loosen the nuts attaching the ceramics.
In the first step, the two side locks must be loosened (B).



The height can then be adjusted via the adjusting screw. The ceramic can also be raised slightly for "quick adjustment". Fine adjustment is then carried out using the adjusting screw.



On TECElux modules 200 and 400, it is possible to lower the height 20 mm downwards or raise it 60 mm upwards – compared with the module frame's factory settings.



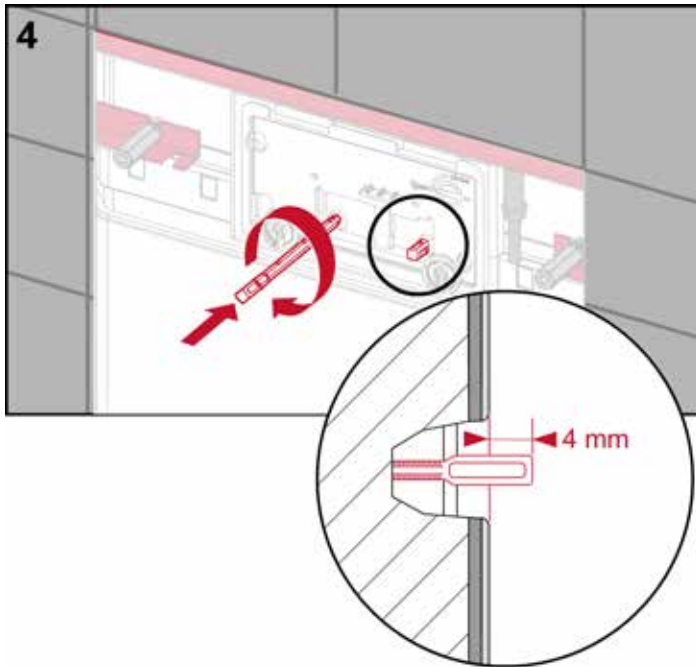
After the height adjustment, the two side locks must be tightened again.



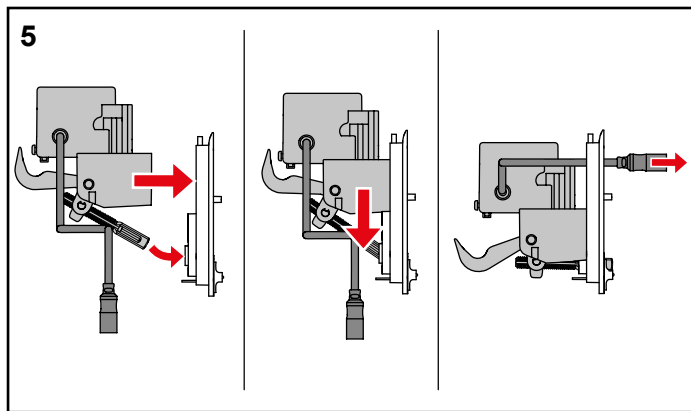
Fine installation

Upper glass flush plate with actuation unit

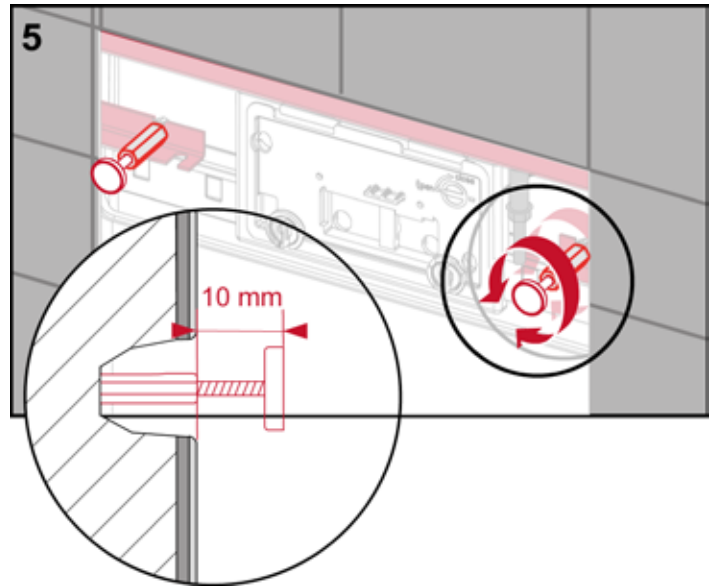
Manual actuation: Cut actuation rod to length and screw in - 4 mm in front of wall surface.



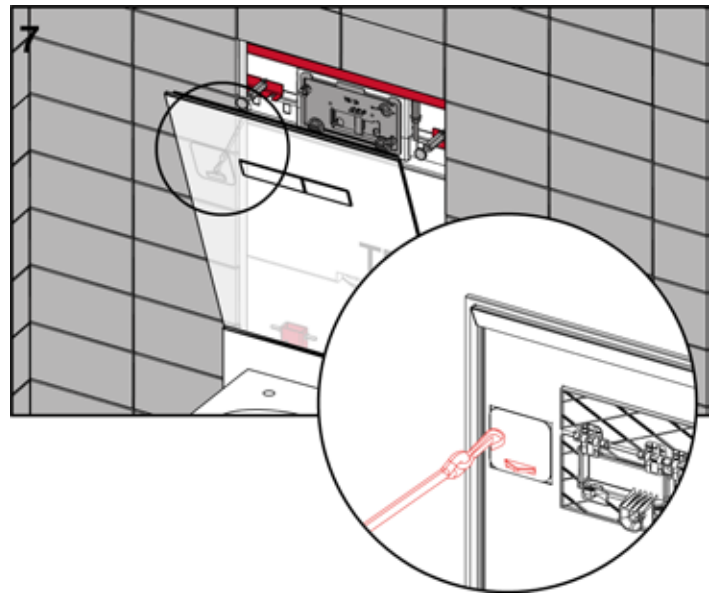
Electronic actuation: Push the actuation motor onto the splash guard. Insert the splash guard with the electrical actuation motor (included in the scope of delivery of the upper glass panel). No drain valve conversion required.



Screw in both magnetic holders – 10 mm in front of the wall surface.

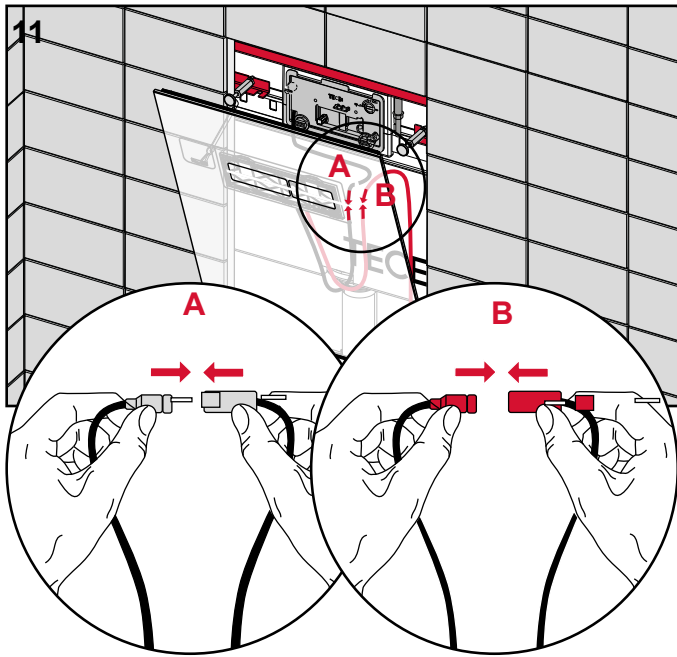


Insert the upper flush plate into the holders and fold it up. Attach the glass panel with backup tape (fit the snap hook into the eyelet).

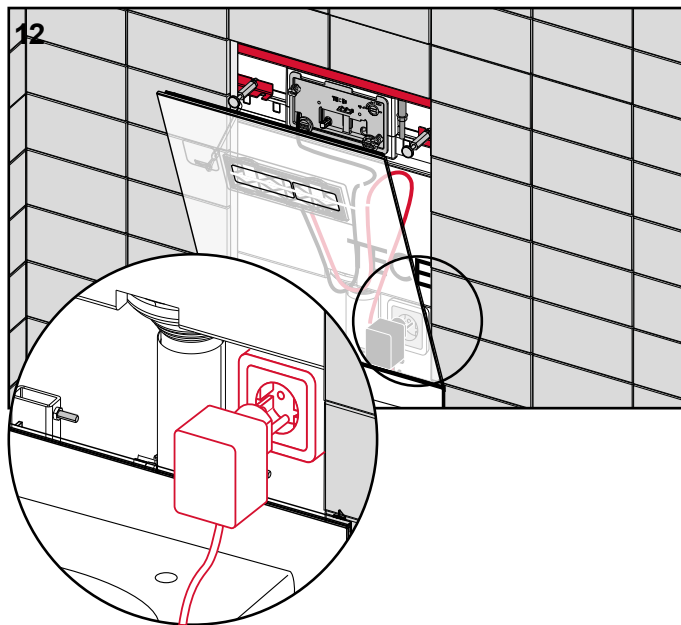


For electronic actuation: Connect the appropriate plug-in contacts:

- Grey: Actuation motor
- Black: ceramic-Air odour extraction (if applicable)
- Red: Plug-in power supply unit



Attach the plug-in power supply unit into the socket.



Now carry out a function test on the flushing system or program the electronics.


Programming the sen-Touch electronics

Within the first hour after connection to the power supply, the sen-Touch electronics can be programmed. In the event of a power failure, the last settings saved are retained. Each configurable function is assigned a position on one of the two touch fields.

Large touch field:




Position	Function
1	Factory setting
2	Hygiene flushing off
3	Hygiene flushing 24 h
4	Hygiene flushing 56 h
5	Hygiene flushing 84 h
6	Hygiene flushing 168 h
7	Hygiene flushing 336 h
8	Hygiene flushing 672 h
9	Illumination level 1 very bright
10	Illumination level 2 standard
11	Illumination level 3 dimmed
12	Illumination level 4 darker
13	Automatic safety flush
14	Safety flush on

 = Factory setting

Small touch panel:



Position	Function
1	Identification very short distance
2	Identification short distance
3	Identification standard
4	Subsequent odour extraction 5 min
5	Subsequent odour extraction 2 min
6	Subsequent odour extraction 1 min
7	Subsequent odour extraction off
8	Fan setting, extra quiet
9	Fan setting, standard
10	Fan setting power
11	Cleaning function on
12	Cleaning function off
13	Activate illumination 20 sec*
14	Activate illumination 2 mins
15	Activate illumination 3 mins
16	Activate illumination 4 mins
17	Activate illumination 5 mins
18	Activate illumination permanently*

 = Factory setting

* Function only for exhibitions

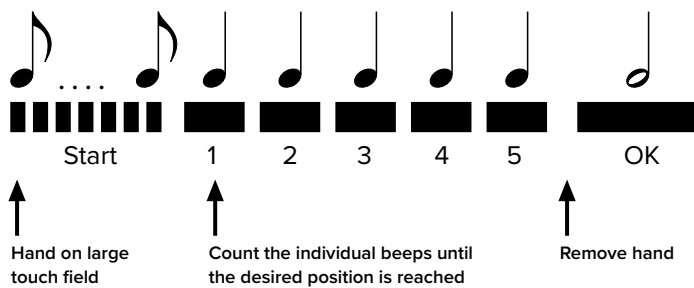
Procedure

Fine installation

How to program the sen-Touch electronics:

- Touch the large or small touch field with your hand.
Programming mode starts after 10 seconds with a quick series of short beeps.
- After the start-up phase, a sequence of the same beeps can be heard. Count these – with your hand on the button – until you reach the required function.
- Now remove your hand; a long beep can be heard.

Example: Setting the hygiene flush to 84 hours.



Cleaning function

When the cleaning function is activated, the touch panel is deactivated for 30 seconds (prerequisite: function 11 is selected on the small touch field).

- Activating the cleaning function:
Touch both touch fields at the same time for 7 seconds.
Once this time has elapsed, the previously set functions are automatically available again.

The cleaning function can only be activated in standard mode, not during the programming phase.

Safety flush

When the automatic safety flush is activated, an automatic flush is performed 2 minutes after the last time a person was detected in the recognition range.

Only use this function in public toilets with cubicles!

Manual flush

It is possible to flush the toilet without power — e.g. following a power failure: To do so, remove the upper glass panel from the wall and press the red actuation rod.