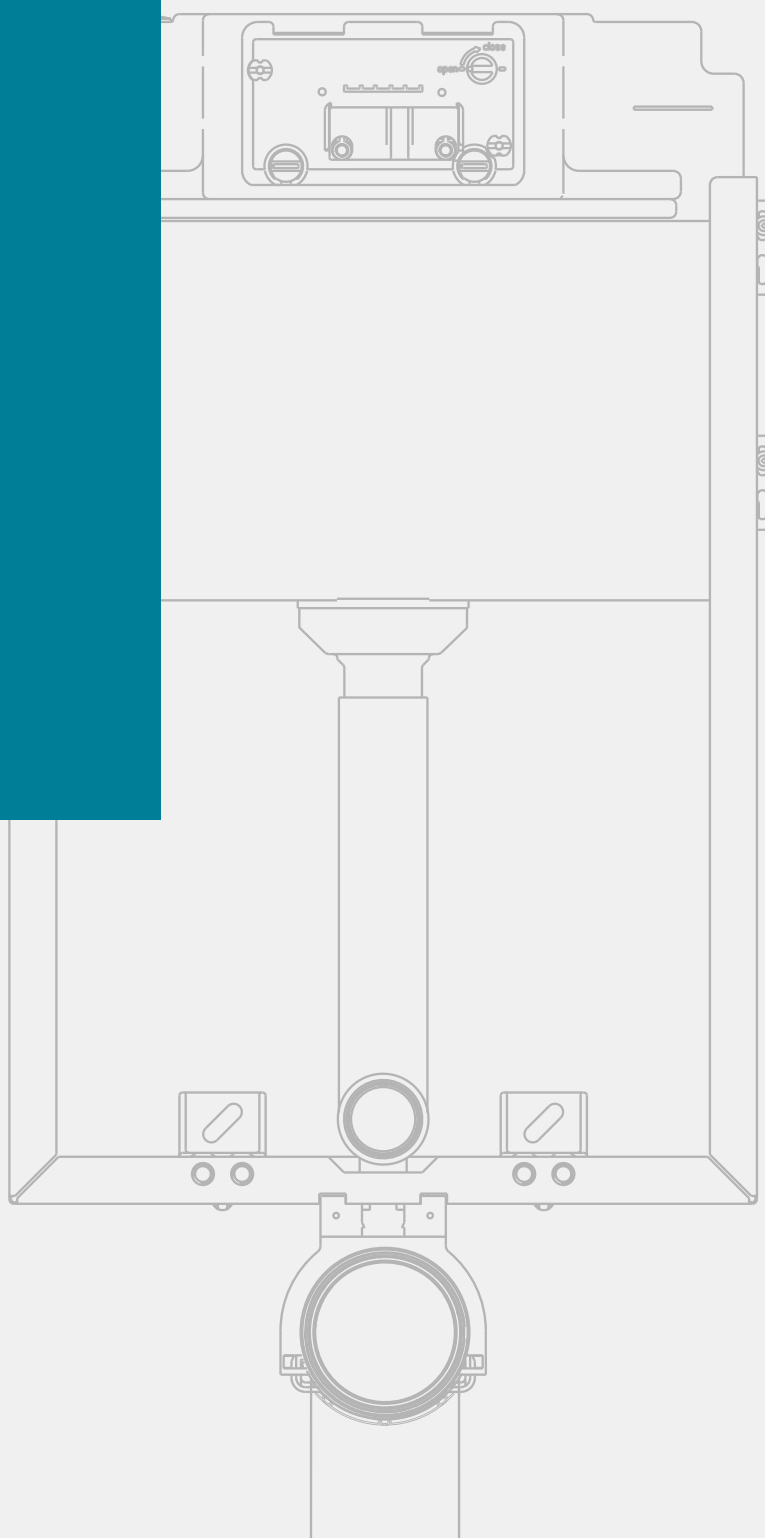


TECE

Sanitary systems

TECEbox

TECHNICAL INFORMATION



All data contained in the Technical Information has been compiled with the utmost care. However, the correctness of the data presented cannot be guaranteed. TECE assumes no liability for damage resulting from the use of this information. Text and images are protected by copyright law.

Issue: March 2020

© Copyright 2020, TECE GmbH, Hollefeldstraße 57, D-48282 Emsdetten

Contents

System description	3-4
TECEbox	3-4
TECEbox installation	3-5
TECEbox installation – low installation height	3-6
TECEbox plus	3-8
TECEbox plus installation	3-8
TECEone upgrade set for brick-wall construction	3-10
TECEbox washstand	3-11
TECEbox washstand installation	3-11
TECEbox urinal flush valve housing U 1	3-12
TECEbox urinal flush valve housing U 1 installation	3-12
TECEbox urinal flush valve housing U 2	3-14
Assembly and installation of TECEbox urinal flush valve housing U 2	3-14

System description

System description

TECE offers the TECEbox series especially for brick-wall constructions. For brick-wall construction installations, the TECEbox modules are wet-installed with mortar or concrete. For this purpose, the modules are installed and connected in front of a solid wall beforehand. Sound insulation is not neglected here, as proven by the sound insulation report from the Fraunhofer Institute in Stuttgart. As the modules are not self-supporting, they are not suitable for use in dry walls.

TECEbox

The standard variants of the TECEbox series are available for the standard installation height or for low installation heights, e.g. for installations under the window.



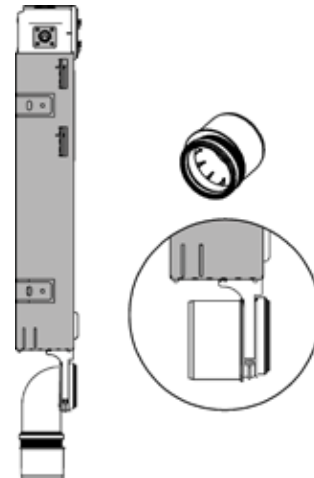
TECEbox brick-wall module, standard height (item no. 9370000)



TECEbox brick-wall module, low installation height (item no. 9375000)

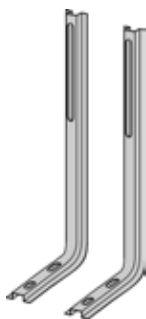
The low installation height allows for actuation from above as well as from the front. As with the dry-wall modules, the TECE cistern is the heart of the toilet brick-wall modules. This features, among other things, full compatibility with all TECE flush plates.

The all-round steel frame ensures secure attachment in front of a solid wall. The two-piece drain bend is compatible with DN 90 or DN 100 sewer lines. In addition, the adapter can also be used as a horizontal outlet.



Two-part drain bend – also for horizontal connection

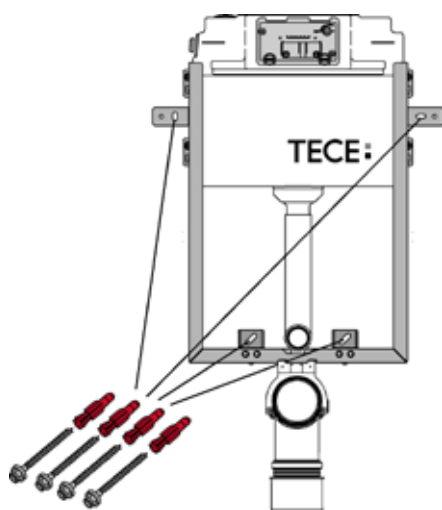
Optional mounting feet are available as mounting aids for the standard installation height of the TECEbox (item no. 9030024).



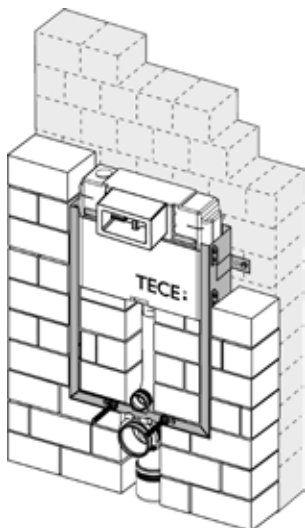
TECEbox assembly feet (item no. 9030024)

TECEbox installation

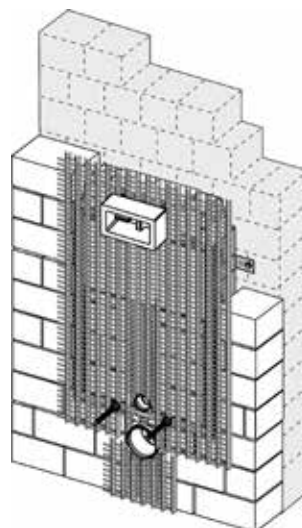
Align the TECEbox in front of the solid wall and screw it to the provided lugs (top) or basin brackets (bottom).



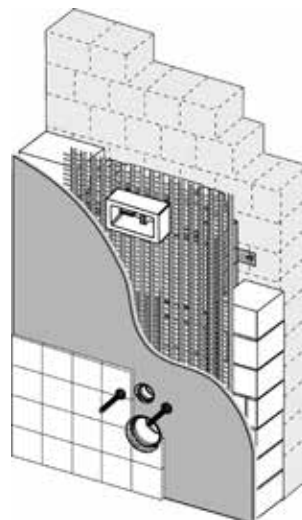
The module must be completely built into the wall and all remaining cavities must be filled in. Install the bare-wall protection and the threaded rods.



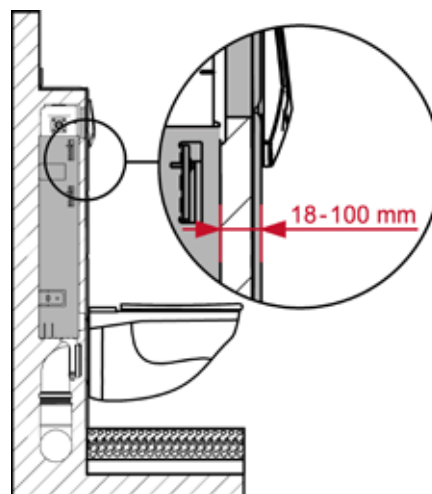
Now fasten the expanded metal – see illustration.



You can then apply the plaster and tile the surface.



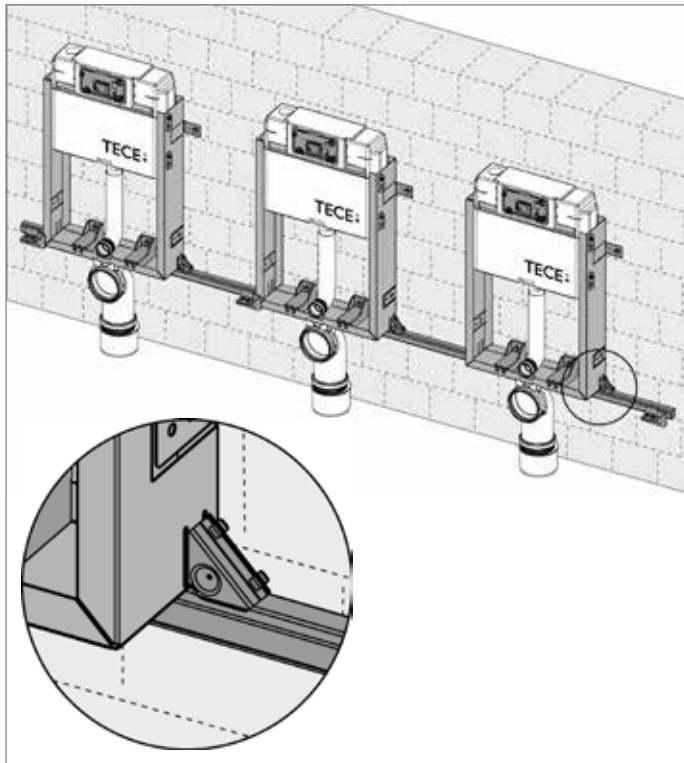
The wall structure must be at least 18 mm thick and no more than 100 mm thick. Please refer to the section on flush plates to get informed about the required wall structure for each respective flush plate.



TECEbox

Tip:

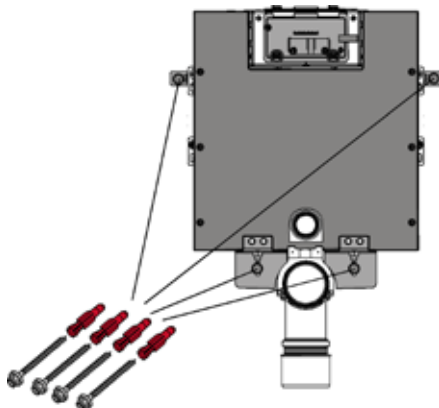
A row installation with the TECEbox can be simplified using the TECEprofil pipe and corner joint. The brick-wall construction frames can be easily placed on the TECEprofil pipe via the side slots in the steel frame and fixed in place using the corner joint. This facilitates alignment. In this case, the modules only need to be screwed to the wall at the two top fastening lugs.



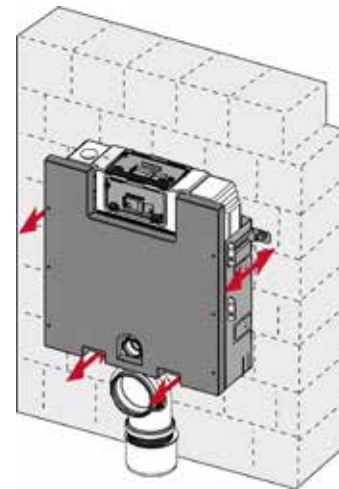
TECEbox row installation – with TECEprofil pipe and corner joint

TECEbox installation – low installation height

The TECEbox for low installation heights must be aligned in front of the solid wall and screwed to the lugs (top) or angle brackets (bottom) provided.

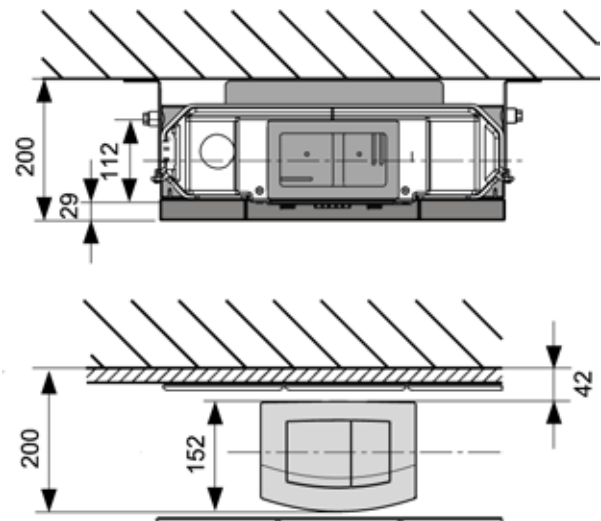


Set the desired distance to the wall using the four depth-adjustable positions.



Actuation from above:

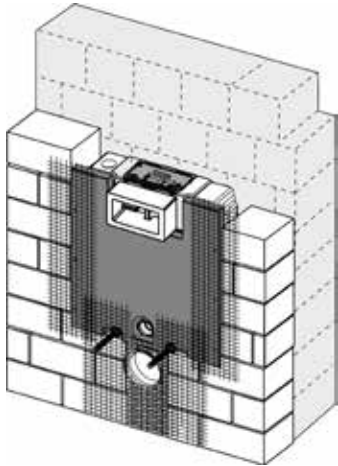
For actuation from above, a minimum distance of 200 mm from the wall to the front edge of the module must be maintained. The front structural panel serves as a minimal stem and must not be removed, as this prevents the flush plate from protruding at a later stage.



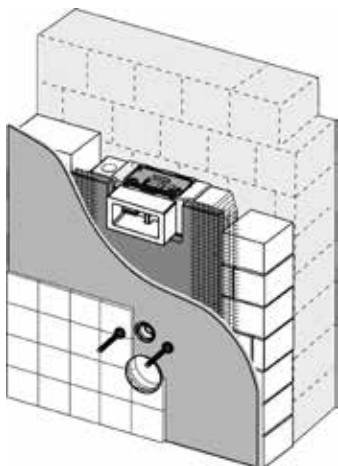
Actuation from the front:

When actuated from the front, the minimum installation depth of the toilet module is 160 mm.

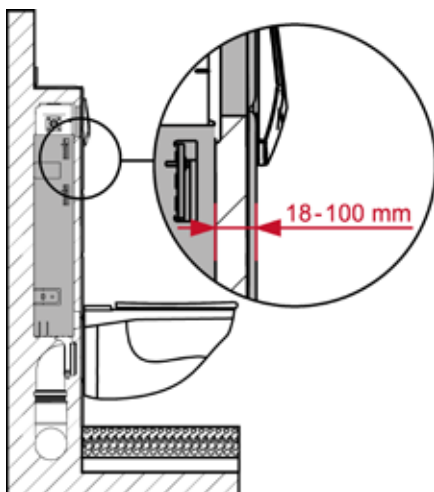
The module must be completely built into the wall and all remaining cavities must be filled in. Install the bare-wall protection and the threaded rods. Now fasten the expanded metal – see illustration.



You can then apply the plaster and tile the surface.

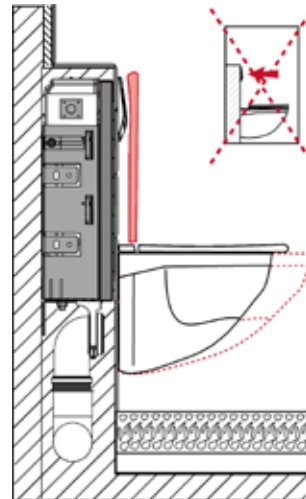


The wall structure must be at least 18 mm thick and no more than 100 mm thick. Please refer to the section on flush plates to get informed about the required wall structure for each respective flush plate.



Note:

If the actuation is mounted from the front on cisterns with a low installation height and a compact ceramic is used, the toilet lid may fall shut unintentionally. Therefore, when using a compact ceramic, it should only be actuated from above!



TECEbox plus

TECEbox plus



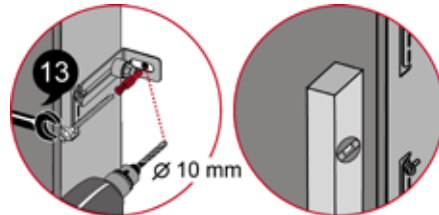
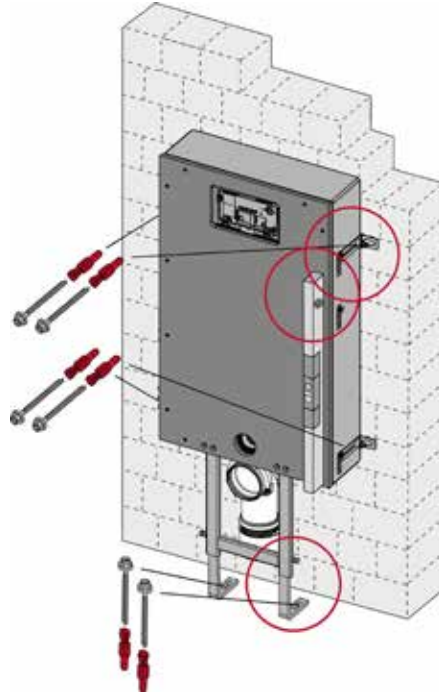
TECEbox plus brick-wall module (item no. 9371000)

The TECEbox plus is a brick-wall module that is installed in front of a solid wall. It is characterised by a closed surface, which eliminates the need for the costly bricking-in of the cistern. The installation cover, which is available as an accessory, creates a continuous surface made of light-weight glass-fibre concrete on the front side, which can be tiled directly.

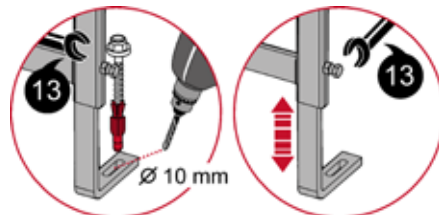
TECEbox plus installation

With the pre-mounted steel feet, the TECEbox plus can be simply placed in front of the wall and adjusted to the desired height.

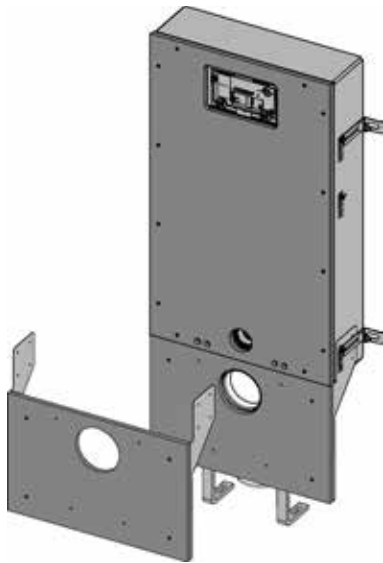
The TECEbox plus can be easily aligned and fastened via the depth-adjustable wall attachments.



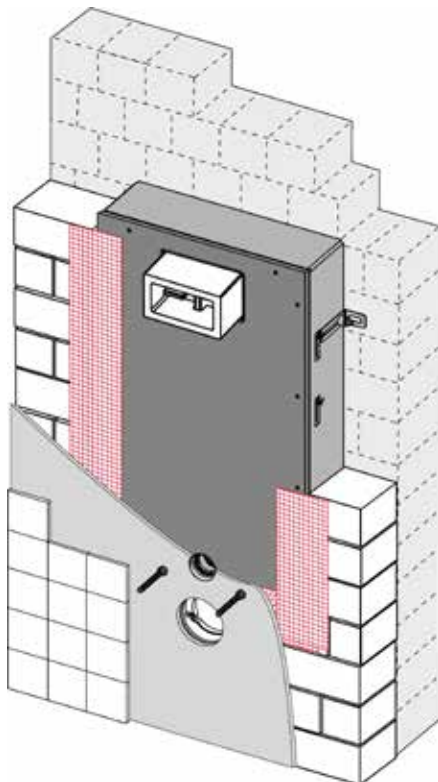
The feet are screwed to the floor.



If the optionally available installation space cover is used, the lower installation space does not have to be bricked out. Installation of the lower installation space cover (item no. 9200012) is simple and, in addition, a continuous tileable surface is created immediately.



A reinforcing fabric must be applied at the transition points from the lightweight glass fibre concrete slab to the masonry block to avoid possible tile cracks. The surface can then be tiled.

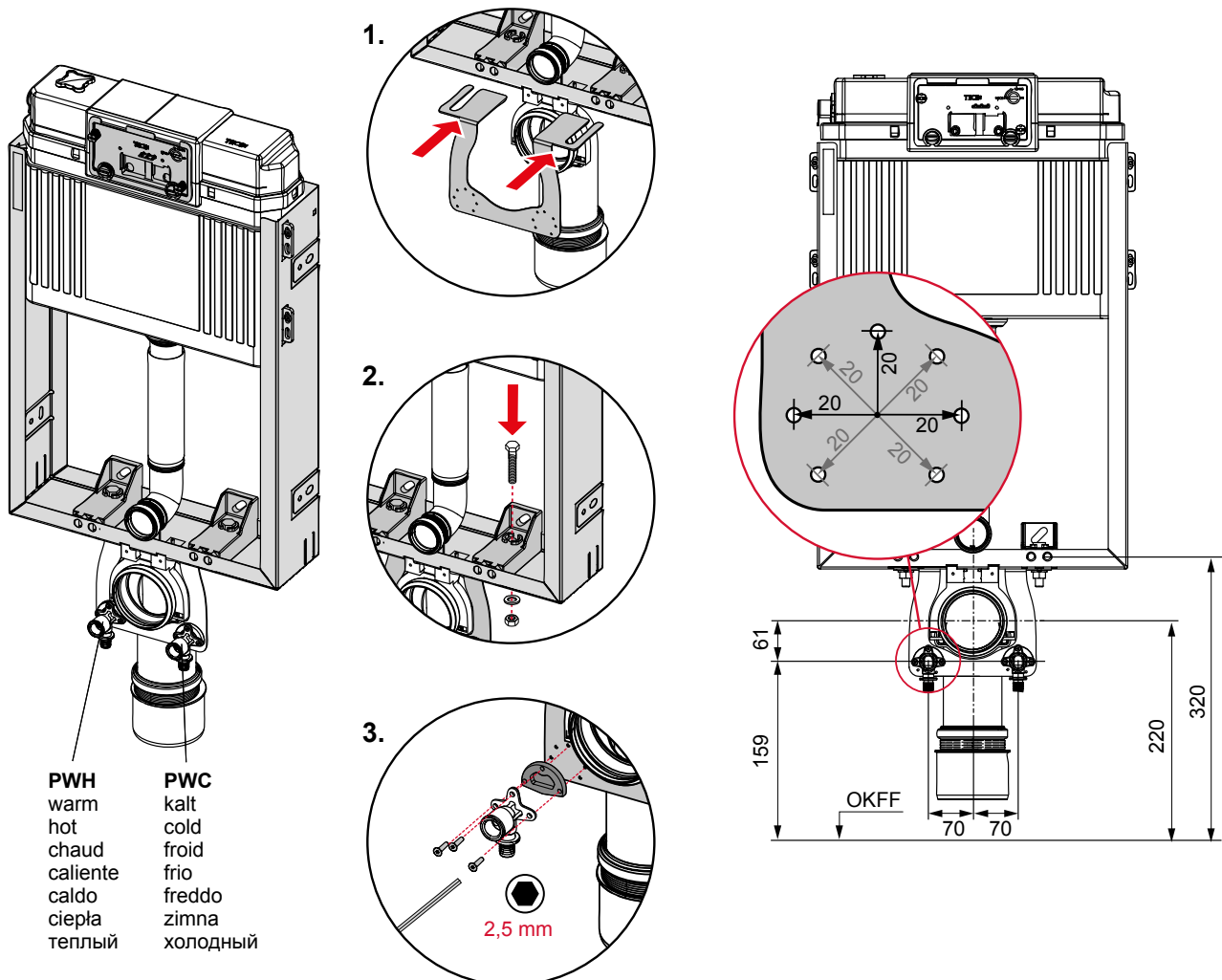
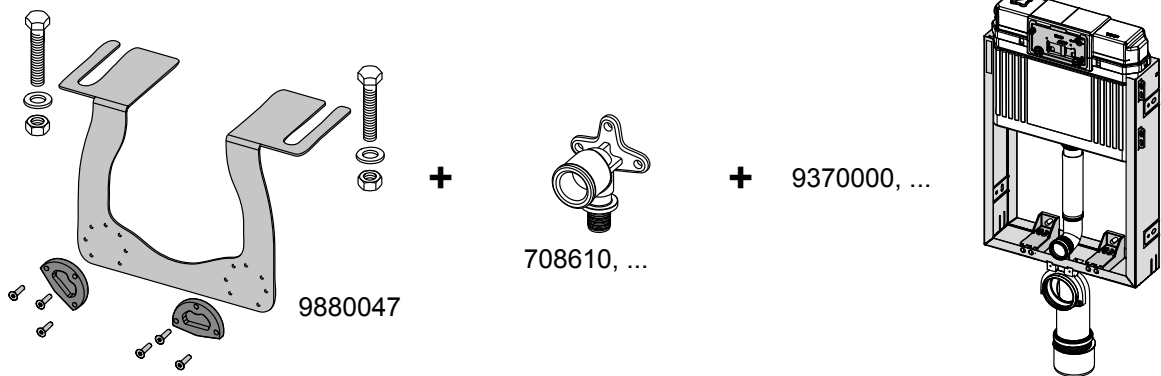


TECEbox washstand

TECEone upgrade set for brick-wall construction

As with dry-wall construction, an upgrade set is also used to connect the TECEone in brick-wall construction. The upgrade set is attached to the support frame of the TECE-

box brick-wall module using two screws. The scope of delivery includes sound insulators and fastening screws which are used to fasten the wall discs for the cold and hot water connection. By mounting on the upgrade set, the wall discs are automatically in the correct position for connecting a TECEone.



TECEbox washstand

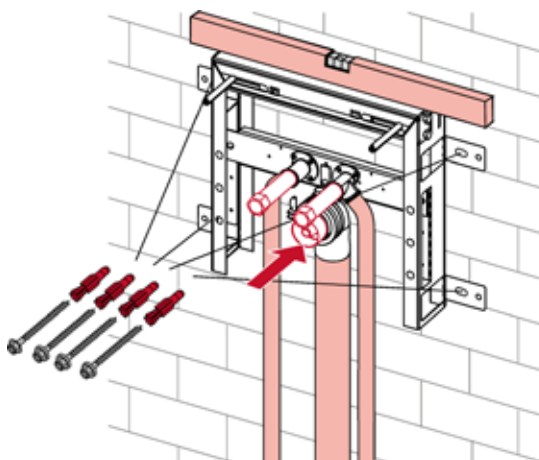


TECEbox washstand (item no. 9370033)

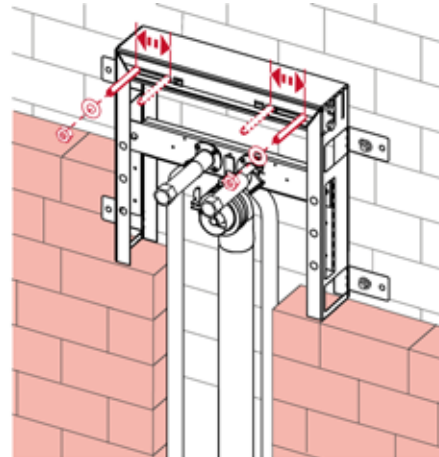
The connections for washstands in brick-wall construction are easy to install with the washstand frame. The all-round 8 cm deep steel frame with four depth-adjustable wall attachments is simply attached to any solid wall. All connection dimensions must be determined before bricking in and the elements must be fixed accordingly. The Installation dimensions cannot be changed subsequently.

TECEbox washstand installation

In the first step, the module is attached to the solid wall and aligned horizontally. The appropriate depth is set via the four wall attachments. The height-adjustable drain bend holder and the depth-adjustable drain bend can be adjusted to suit almost any application. The DN 50 drain bend can be reduced to DN 40 by shortening it.



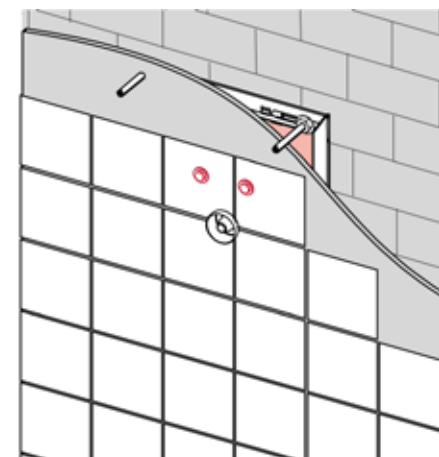
The distance range of the threaded rods to accommodate the washbasin ceramics has an adjustment range of 170-280 mm.



Once all the connection lines have been installed and connected, the module is bricked in.

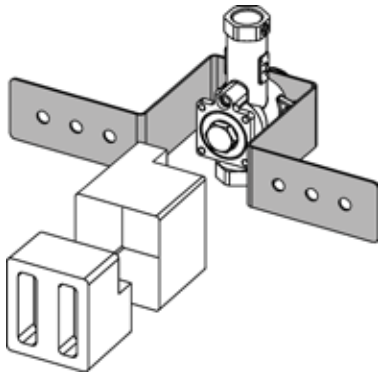


Then the plaster is applied and the surface can be tiled.



TECEbox urinal flush valve housing U 1

TECEbox urinal flush valve housing U 1



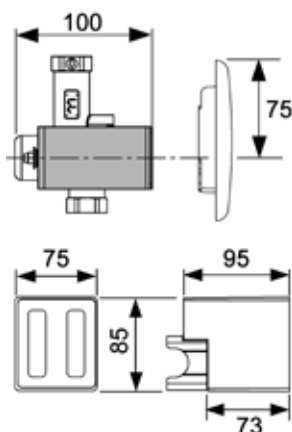
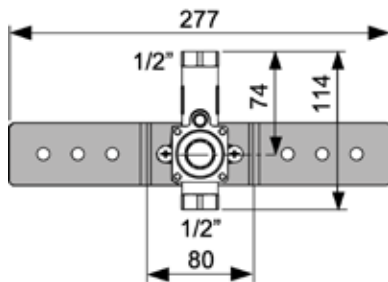
The TECE flush valve housing U 1 is pre-mounted on a holding plate and can therefore be easily recessed into a wall slot.

Note:

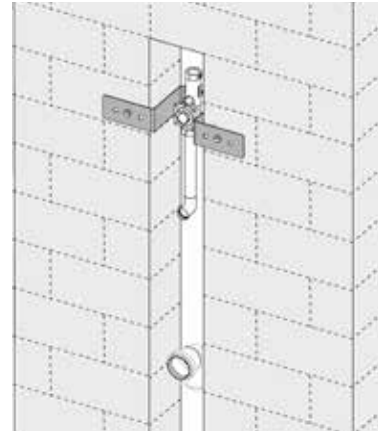
Before installation, the urinal ceramic to be used must be known. You should use the current connection dimensions from the ceramic manufacturer for this purpose.

TECEbox urinal flush valve housing U 1 installation

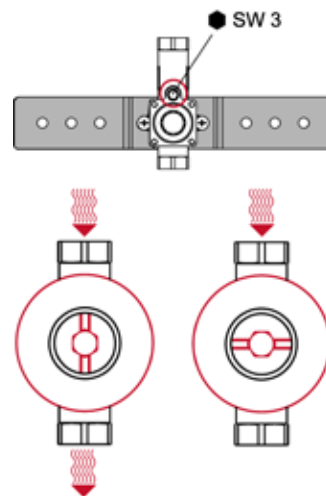
When installing the urinal flush valve, you must observe the installation depths and heights of the holding plate, housing and bare-wall protection.



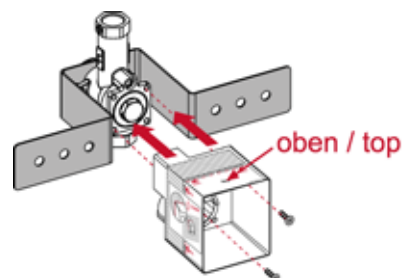
The flush valve housing is inserted into a slot in the wall and attached using a holding plate. The water connection and also the supply to the urinal ceramic can be made with any approved pipe system.



When delivered, the urinal flush valve is shut off so that the required pressure test can be carried out. The preliminary shut-off is located above the plug. This must only be removed during fine installation.



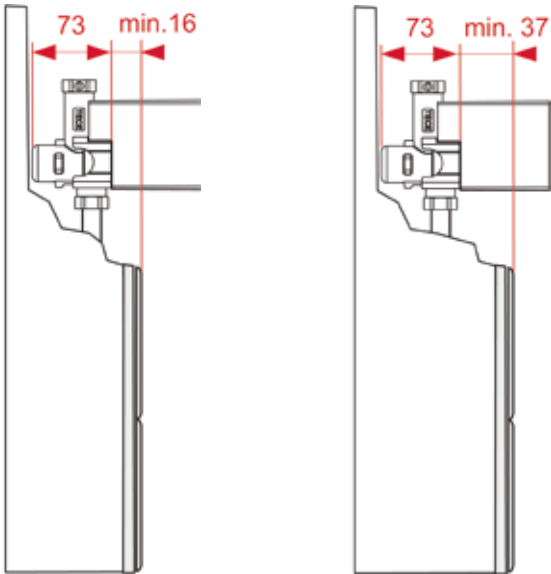
Install the bare-wall protection and ensure it is aligned correctly.



TECEbox urinal flush valve housing U 1

The bare-wall protection housing is cut flush to the wall after tiling.

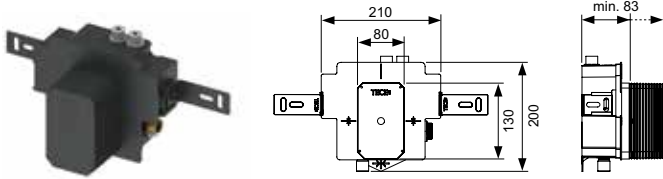
Remember to follow the required wall mounting dimensions when using the corresponding urinal attachment (see flush plate section).



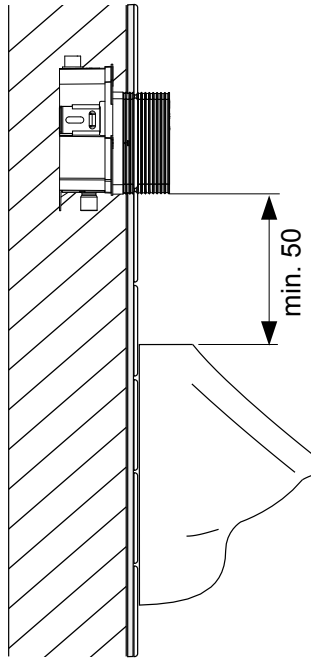
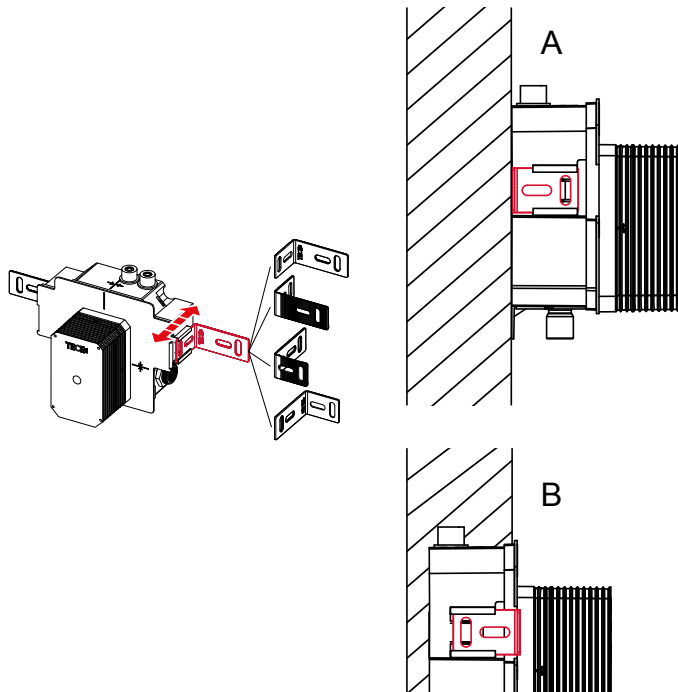
TECEbox urinal flush valve housing U 2

TECEbox urinal flush valve housing U 2

The TECE urinal flush valve housing U2 is designed for use in bricked walls (item no. 9370040).



The urinal flush valve U 2 for brick-wall construction applications can be mounted in front of or in the wall using the supplied mounting elbows.

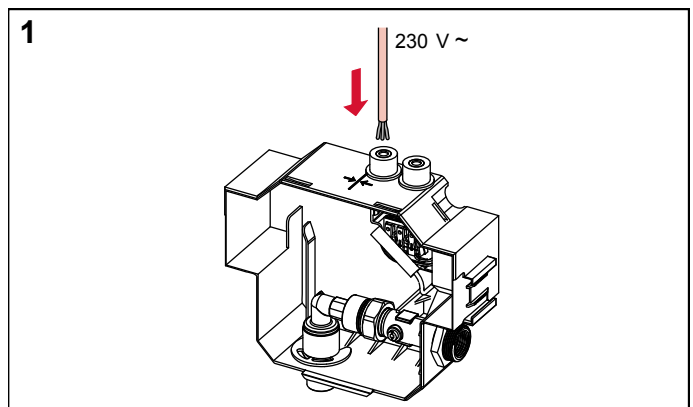


When positioning the flush valve housing, please observe the distance to the urinal ceramic. For optical reasons, we recommend a distance of 50 mm to the flush valve housing.

Note:

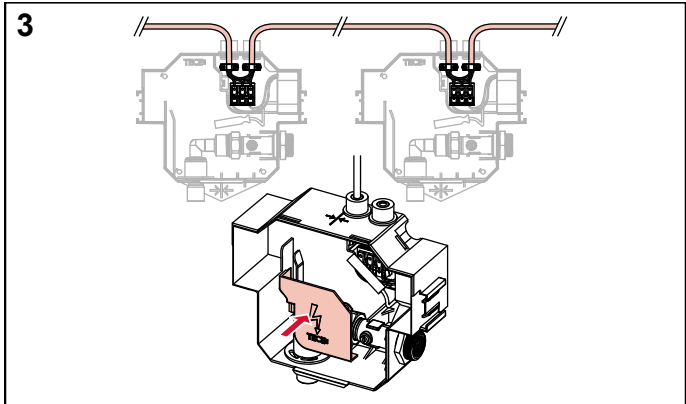
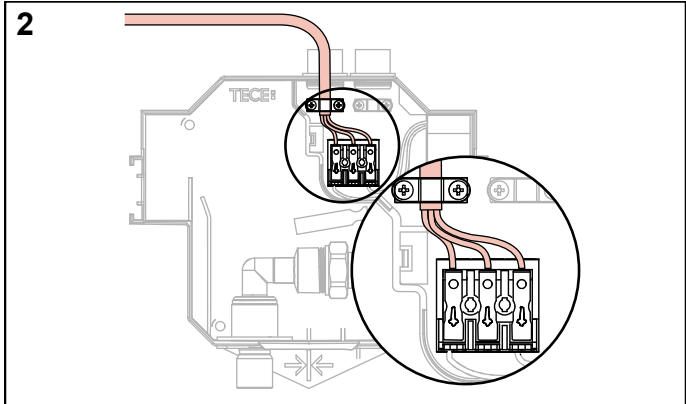
Before installation, the urinal ceramic to be used must be known. You should use the current connection dimensions from the ceramic manufacturer for this purpose.

Assembly and installation of TECEbox urinal flush valve housing U 2

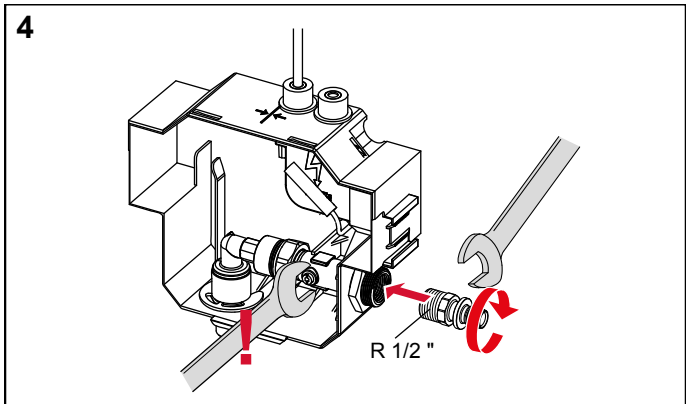


The transformer is already integrated into the flush valve housing to facilitate coordination of the different trades. The transformer can therefore be directly connected with a 230 V cable.

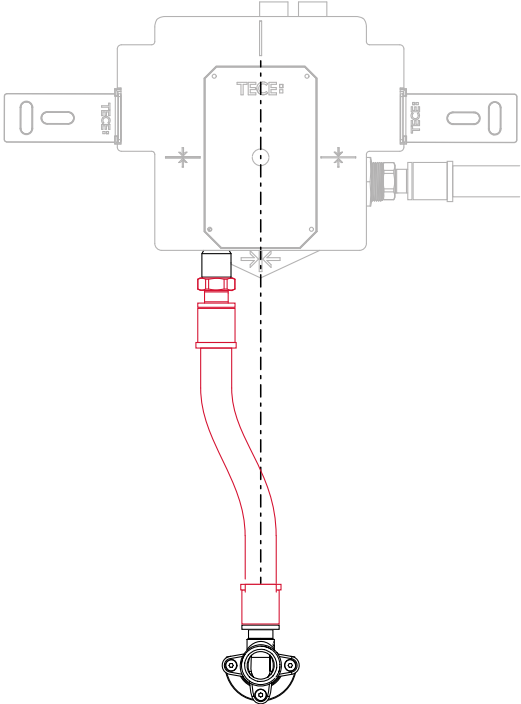
TECEbox urinal flush valve housing U 2



It is also possible to loop the connection through (fig. 3).



To connect the pipe, hold the connection housing as shown in fig. 4.



The water connection and also the supply to the urinal ceramic can be made with any approved pipe system. Make sure that the supply to the urinal ceramic is located centrally under the urinal flush valve housing.

