



**TECEprofil toilet module with Uni cistern, with integrated cold water hygiene flushing function, installation height 1120 mm**

**Article number: 9300103**

**DU 1: 1 pc.**

**DU 2: 10 pc.**

**DU 3: 60 pc.**

**Description:**

Toilet module including "easy fit" flush plate assembly. For fixing to TECEprofil section tubes or for installation in metal or wooden stud walls and as a pre-wall or corner module; also suitable for single block assembly.

Uni cistern for operation from the front:

- Cistern with integrated cold water hygienic flush
- Completely pre-installed flushing unit with hygienic flushing function
- Multi-way shut-off valve with function for flushing the pipe before commissioning
- Cistern connection with outer thread R 1/2" at the top, for flushing the cold water pipe, compatible with quick-action adapters
- Safety tank made of impact-resistant plastic, tested to EN 14055
- Cistern completely pre-assembled and sealed
- 10 litre tank volume; 6 litres preset standard flush volume; 4.5/7.5/9 litres flush volume adjustable at any time; 3 litres partial flush with dual-flush system; residual volume can be used for immediate cleaning flush.
- Insulated against condensation water
- Suitable for TECE flush plates and toilet flush handles
- Can be used as a single or dual-flush cistern
- "easy fit" flush plate installation
- Installation tunnel for service opening, can be shortened without tools
- Low-noise hydraulic filling valve, acoustic group 1 in accordance with DIN 4109
- Mains connection with transformer including connection cable
- Fill level sensor, protects against backflow in the cistern

Operation:

- Via Bluetooth interface via TECE app Smartflow
- Optional via BMS interface
- Infinitely variable setting of flush intervals and flush volume
- Setting of flush days and flush volume
- Logging of flush history

Module frame:

- Self-supporting, powder-coated
- Two M 12 retaining bolts and nuts
- Toilet drainage bend DN 90 with joint adapter DN 90/100 made of PP
- joint adapter also suitable for horizontal installation
- Toilet connection set DN 90
- Toilet connection box including rough-in protection, with junction box and cover for transformer

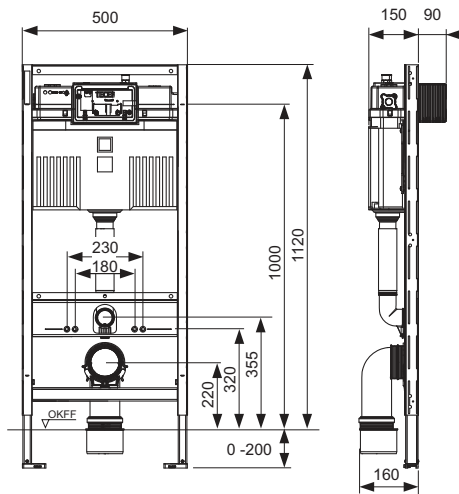
Setting of a raised ceramic attachment for 48 cm seat height, possible in accordance with DIN 18040 (DIN 18040-1: Construction of accessible buildings - Design principles - Part 1: Publicly accessible buildings).

---

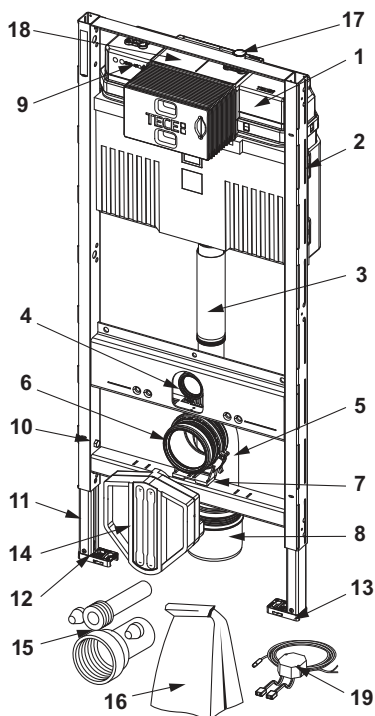
**Sales data:**

Product name:	TECEprofil toilet module with Uni cistern, with integrated cold water hygiene flushing function, installation height 1120 mm
Commodity group:	908
Product group:	2009080010

Dimensional drawings:



Spare parts:



- |    |         |  |
|----|---------|--|
| 1  | 9820103 | Uni cistern 1120 mm  |
| 2  | 9820040 | Assembly kit for Uni cistern   |
| 3  | 9820011 | Flush pipe with O-ring, length 269 mm, dry-wall construction                       |
| 4  | 9820015 | Flush pipe seal  |
| 5  | 9820134 | Toilet drain bend DN 90 (PP)   |
| 6  | 9820139 | Seal for toilet drain bend/adaptor   |
| 7  | 9820348 | Toilet drain bend holder complete, mounting on cross-beam at bottom (from 04/2017) |
| 8  | 9820136 | Adapter DN 90/DN 100 (PP)  |
| 9  | 9820572 | Hygiene flush unit cold water  |
| 10 | 9820447 | Foot brake with steel spring   |
| 11 | 9820335 | C-section for module foot  |
| 12 | 9820332 | Module foot with toggle left   |
| 13 | 9820333 | Module foot with toggle right  |
| 14 | 9820568 | WC connection box  |
| 15 | 9820057 | Connection set DN 90 for toilet  |
| 16 | 9820043 | By-pack for toilet module (mounting material, etc.)                                |
| 17 | 9820443 | Shut-off valve 4-way   |
| 18 | 9820573 | Connecting pipe for hygiene flush unit   |
| 19 | 9810010 | Transformer including connection cable   |