



Sanitary systems

TECE – SANITARY TECHNOLOGY IN A SYSTEM



“Satisfied customers are the best form of advertisement. To achieve this, any sanitary system needs to function problem free behind the wall and look perfect on the wall. The be-all and end-all for both: effortless installation.”

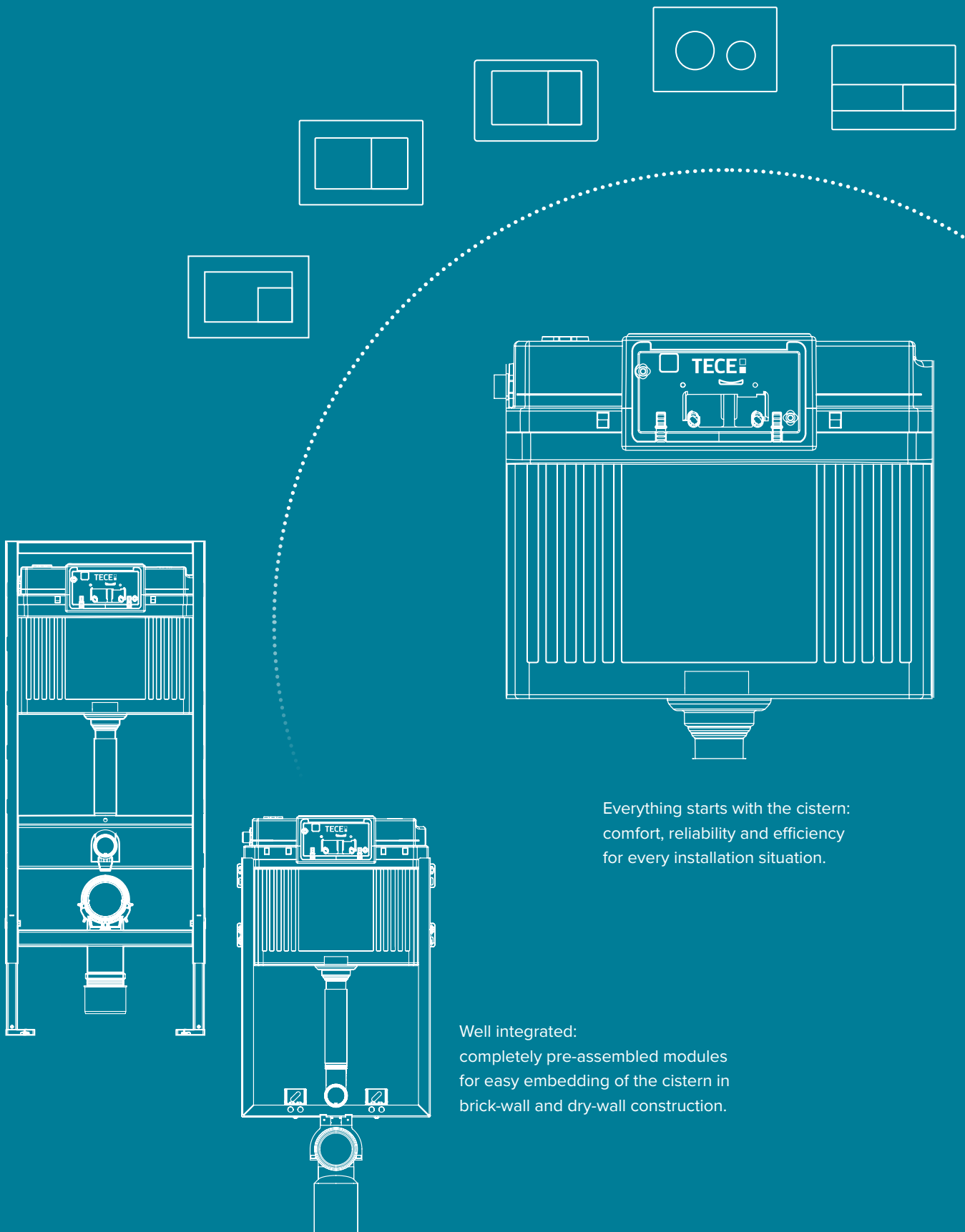


SIMPLY CONSISTENT.

Bathrooms are complex. They only work when technology and design, the customer's wishes and the conditions in situ meld perfectly together. This is why, whether in its cisterns or its innovative toilet units, TECE offers exclusively high-quality and versatile products that meet each and every one of your requirements. And that includes making installation more efficient and straightforward every step of the way. If you can work in a stress-free atmosphere, then we've done everything right.

SYSTEM TECHNOLOGY THAT FITS.

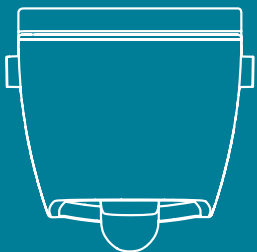
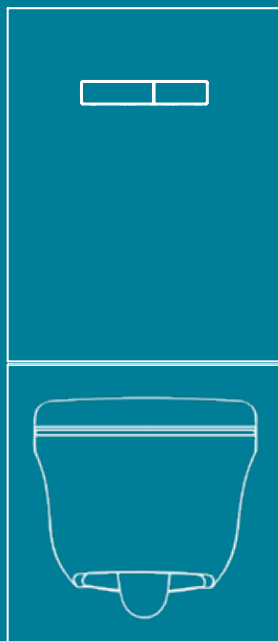
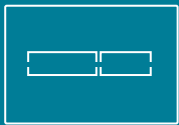
Everything from one source, everything combinable, everything perfectly coordinated – this is innovative sanitary technology in 360°.



Everything starts with the cistern: comfort, reliability and efficiency for every installation situation.

Well integrated: completely pre-assembled modules for easy embedding of the cistern in brick-wall and dry-wall construction.

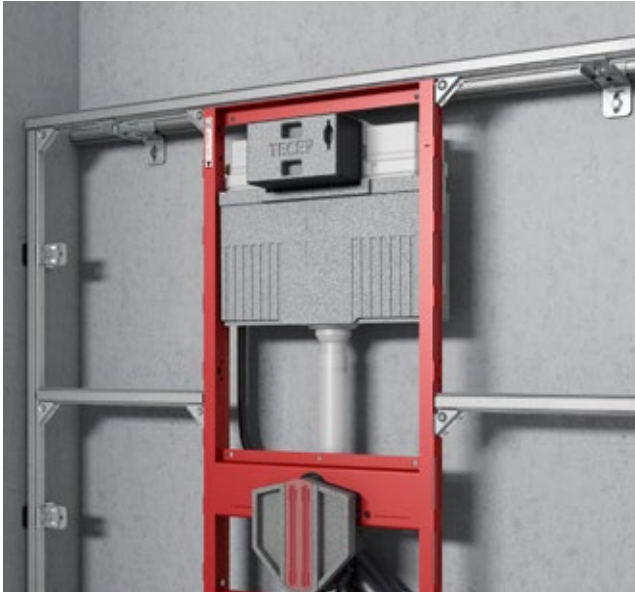
There's also something for the eye:
flush plates from TECE combine form
and function. With a system advantage:
all flush plates fit on all cisterns.
And can be exchanged for all other
TECE flush plates.



More than just the ceramics:
the innovative toilet terminal and
the toilet with shower function.

Maximum flexibility

TECE products are not only universally combinable within our range, but are also compatible with many other sanitary products. Practical – for simple planning and implementation!



CONTENTS

04 **TECE Flushing technology**

- 06 Uni cistern
- 10 Octa cistern
- 14 Universal filling valve F 10

16 **TECE Sanitary modules**

- 18 TECEprofil dry-wall construction system
- 30 TECEprofil toilet module with integrated hygiene flush
- 36 Barrier-free toilet solutions
- 38 TECEconstruct dry-wall construction system
- 42 TECEbox brick-wall construction system

48 **TECE Flush plates**

Diversity in a range

58 **TECElux**

The toilet terminal

68 **TECEone**

The perfect toilet family

SANITARY TECHNOLOGY IN A SYSTEM

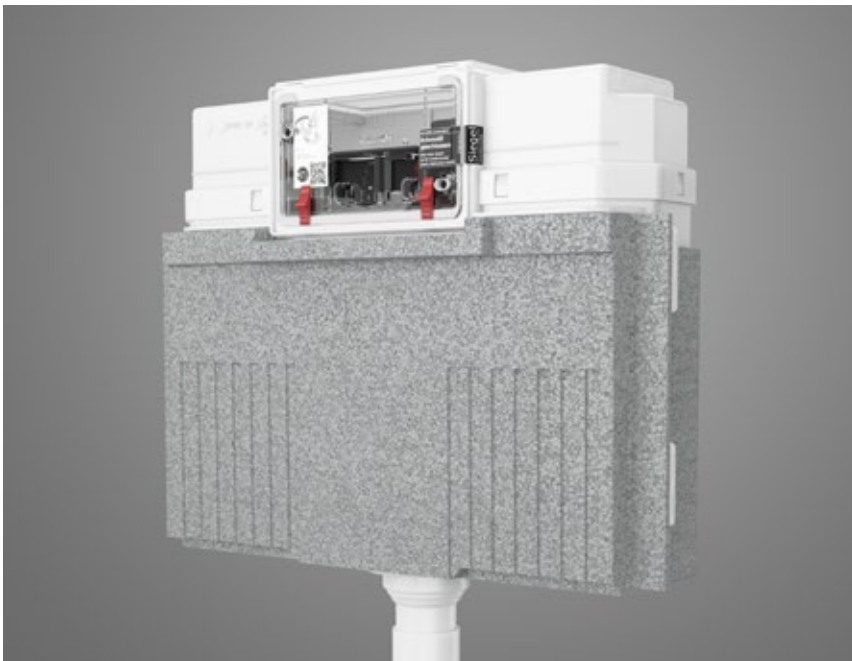
TECE FLUSHING TECHNOLOGY

Basic components

High performance in the wall

Panelled and tiled or bricked in. Flushing technology for toilet and urinal installed firmly in the wall meets the highest requirements over a long period of time. With a usage duration often exceeding 30 years, the actuation mechanism is activated a few hundred thousand times – and yet still needs to feel and sound as good as it did on the first day.

The cistern also has to be able to reliably withstand wear and deposits and still works accurately and quietly after decades as it did straight after installation – while precisely adhering to the flush volumes, without rattling, without loud outflow, without loud filling noises. We deliver the solution with all of the TECE flushing technology: a strong flush and then quick refilling – quiet, reliable, for the long term.



TECE cisterns

Strong in volume and technology: large volume, real dual-flush system and individual pressure control are just some of the properties that make the TECE cisterns a tried and tested multitalent. Clever for dividing walls: the high-volume Octa cistern with installation depth of just 8 cm.

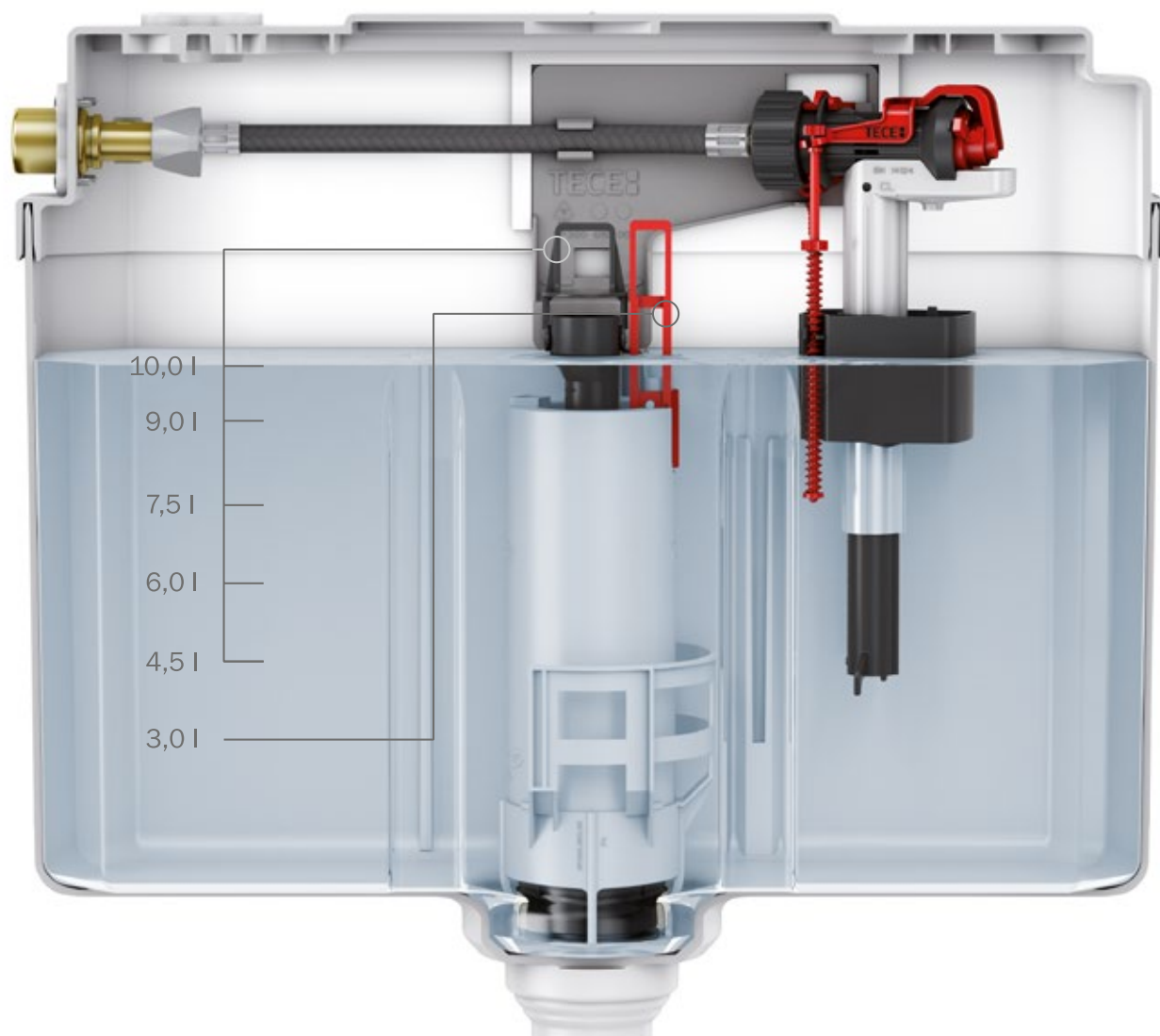


Filling valve F 10

And more than just another advantage for the TECE cisterns: thanks to the comprehensive range of accessories, the TECE filling valve F 10 becomes the universal spare part you can't do without.

UNI CISTERN

Convincingly greater flush volumes.
Convincingly greater flexibility.



06

Unbeatable volumes

With its 10 litre tank, the Uni cistern offers the greatest total volume in its class. This doesn't just let you set an especially large flushing volume to prevent deposits in old pipe systems. The large tank simultaneously offers 4 litres of the standard 6 litre flush for direct rinsing. With zero waiting – for a secure feeling with every use.





Sound insulation included

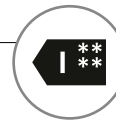
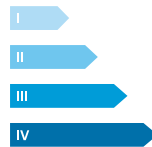
Copied from jet planes: a chevron nozzle regulates the flow at the outlet of the optimised drain valve. This ensures stable flow conditions and lower sound levels without disruptive slurping noises.

Flexible setting

From 4.5 to 9 litres with one touch – the Uni cistern can do this too. Thanks to the slide control on the drain valve, it is especially easy to change the full flush volume to meet individual requirements. Good for the environment: thanks to a real dual-flush system, the partial flush stays constant with a water-saving amount of 3 litres.

WELL Home Water Efficiency Label

Manufacturer	TECE
Category	Toilet flush system
Type	Flushing cistern
Product	TECE UNI
Reg.-No.	WS10688-20191206



Four out of four star rating: with regard to sustainability of water consumption, the Uni cistern meets the highest expectations for the private sector.

Water efficiency criteria

Flush volume (fixed or adjustable) 6,0 l	*
Flush volume (fixed or adjustable) 5,0 l or 4,0 l	**
Undefined flush with minimum volumes	*
Defined minimum volume flush	**

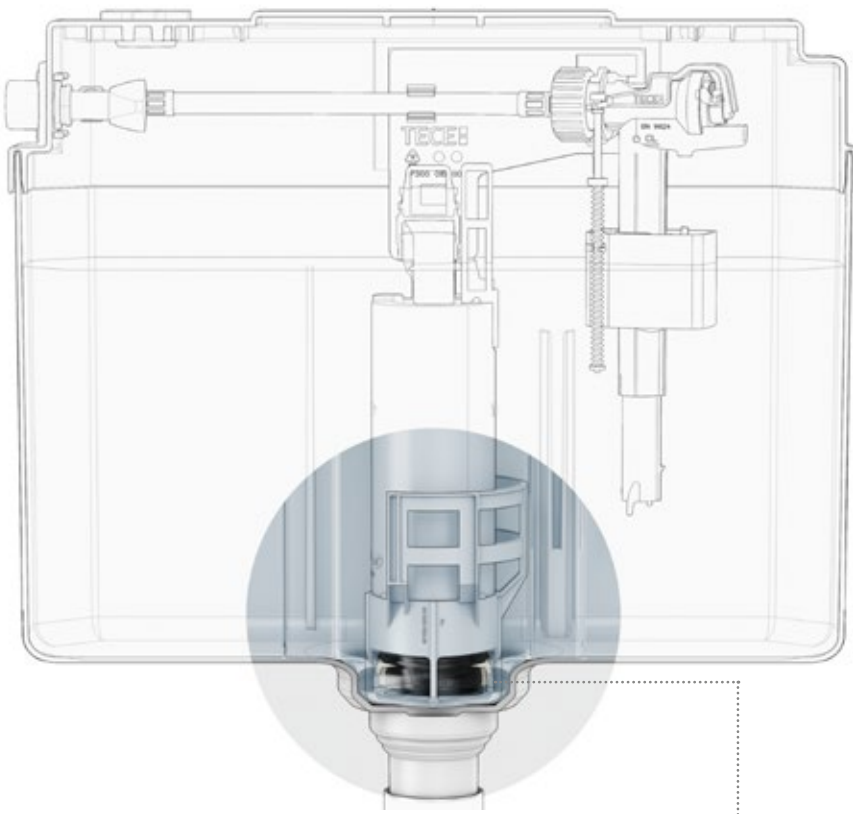
www.well-online.eu

Product Highlights

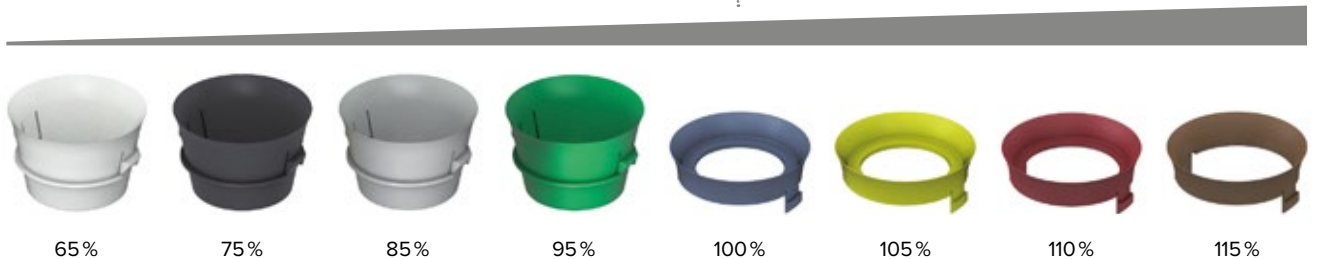
- Universal cistern for every application and toilet ceramics
- Water tank with 10 litre safety volume
- Sealed tank doesn't have to be opened in shell construction
- Variable dual-flush system
- Flexible flushing pressure adjustment
- Easy to install technology
- Tested in accordance with EN 14055
- Low-noise hydraulic filling valve
- Acoustic group 1 in accordance with DIN 4109 "Sound insulation in buildings"
- Can be combined with all TECE flush plates

CONSIDERED RIGHT FROM THE START.

Flushing pressure adjustment, installation, maintenance: the Uni cistern impresses with the highest service friendliness at every working step.



08



Customised flushing pressure

The Uni cistern has maximum flexibility when it comes to flushing pressure: by replacing the throttle ring in the valve seating, the flushing pressure can also be adjusted to the needs of all ceramics in retrospect. This not only lets you sustainably throttle the flushing pressure, but also increase it effortlessly so the ceramic isn't rinsed too tentatively or too temperamentally.

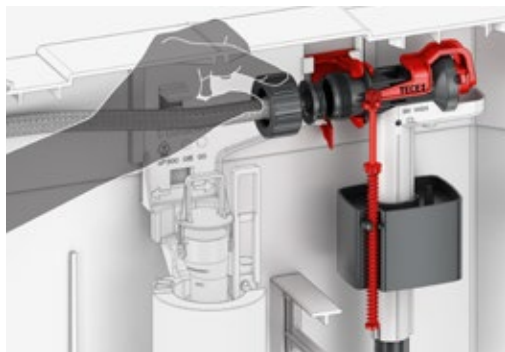


Quick installation, relaxed maintenance

The large inspection opening on the Uni cistern provides maximum space for relaxed working.

Cleverly defined function units and tool-free connections make the individual steps more efficient and reliable.

The Uni cistern comes pre-assembled and sealed. This means in the shell construction phase it just has to be connected to the water line – you only need to open it during fine installation.



After the shell construction phase: the reinforced hose is attached by screwing it to the filling valve.



The protective plate is a compact unit consisting of splash guard, lever mechanism and attachment.



The maintenance as easy as the assembly: no individual parts need to be disassembled or broken off when swapping the valve – all parts are firmly connected to one another.



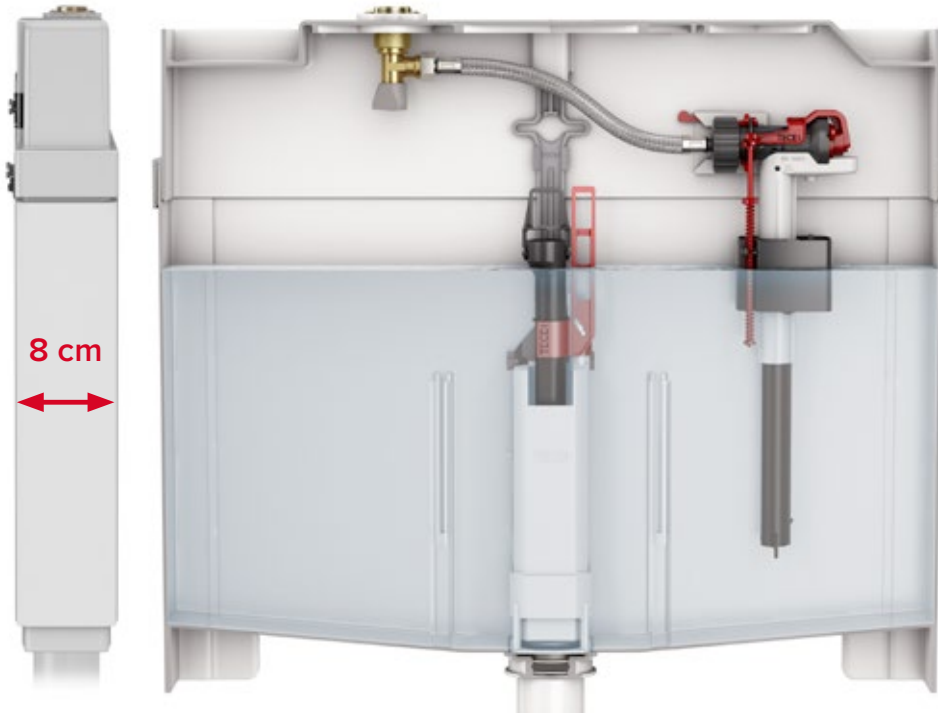
During servicing, the complete technical unit can be removed with lever mechanism, lid and attachment plate. All settings are retained.

Spare parts available for 25 years

TECE confirms that you can purchase spare parts for the continued functionality of a TECE concealed cistern up to 25 years from the manufacturer's date of sale.

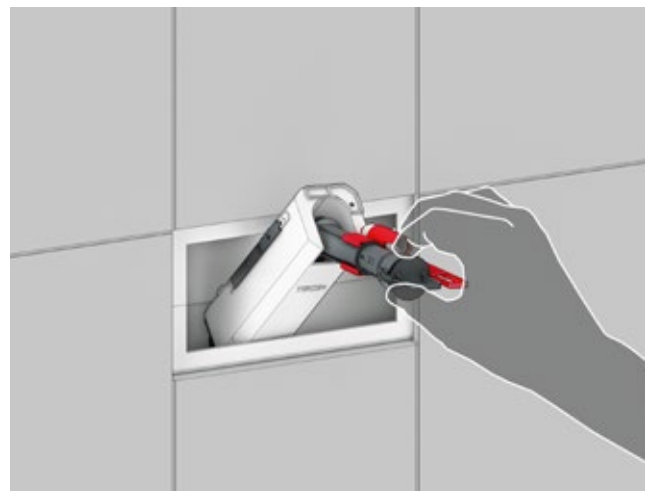
TECE OCTA CISTERN

Perfect for installation in dividing walls: despite an installation depth of just 8 cm, the TECE Octa cistern makes no compromises with the flushing technology.



Flat in installation, big in service

The installation depth of the Octa cistern has been reduced by 5 cm compared to the Uni cistern especially for installation in dividing walls. No compromises: because with a water volume of 9.5 l, even the Octa cistern always provides sufficient residual volume for a direct follow-up flush.



Thinking outside the box

Optimal handling despite lower depth: if the drain valve has to be removed during an inspection, it can simply be moved to the top – this making it easy to remove from even narrower cisterns with zero problems.

Nothing spared

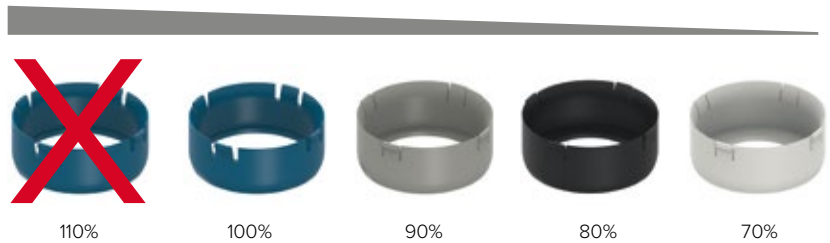
Big technology in a little space: despite the smaller installation depth, all of the technical highlights of the Uni cistern are built into the extra-flat Octa cistern range too.



Flexible flush amount adjustment

A slide control on the drain valve lets you flexibly adjust the large flush volume to a flush volume between 4.5 and 9 litres.

The partial flush volume remains constant at a water-saving amount of 3 litres.



Customised flushing pressure

With the matching throttle set, the flush pressure can be reduced down to 70%. Removing the throttle ring also lets you increase the flush pressure to 110%.



The Octa cistern comes pre-assembled and sealed. This means in the shell construction phase it just has to be connected to the water line – you only need to open it during fine installation.

Compatible with all mechanical TECE toilet flush plates.

EVEN BETTER IN A SYSTEM.

Matching system components complement the form and function of the TECE cisterns – and make them even more attractive in practice.



TECEloop



TECESquare



TECEvelvet



TECESolid



TECEnow



No limits

All TECE flush plates are compatible with the universal cistern from TECE. For renovations and modernisations, they can be interchanged regardless of series and year. Even after decades. Planning and design in a modular system. Made by TECE.



Function first

Intelligent flush electronics and automatic freshness for the toilet: TECElux Mini – the flush plate with sensor actuation – and the insert chute for cleaning tablets bring toilet use a step further in terms of hygiene and comfort. Exclusively for the TECE Uni cistern – and can be retrofitted at any time.



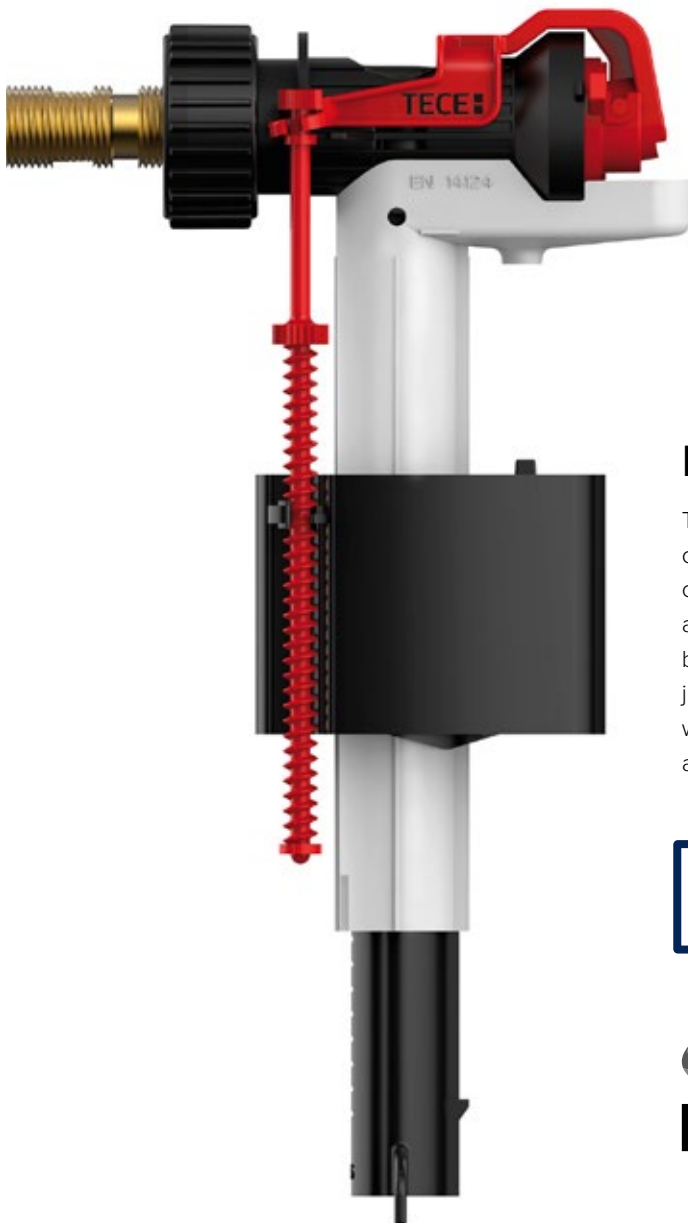
Just add hygiene *

To achieve added hygiene and cleanliness, the Uni cistern can be fitted with an insert chute for cleaning tablets. Remove the flush plate, turn, insert the tab – the path to new freshness is that easy.

* only compatible with TECE Uni cistern

IT FITS!

The filling valve F 10 for standard flush-mounted and wall-mounted cisterns.



Easy, reliable, quiet

The TECE filling valve F 10 is a component of all TECE cisterns and impresses on several levels all at once: it complies with the sound protection requirements of acoustic group I and fills the cistern very quietly. Comfortable, for the fitter, too: that's because the filling valve works just as reliably in almost all standard flush-mounted and wall-mounted cisterns from other manufacturers. And it's also internationally approved.



The TECE filling valve F 10 not only meets the EN 14124 and DIN 4109 standards, but is also internationally tested and approved: to WRAS by Kiwa.



The accessory parts included in the delivery transform the filling valve into a universal component – even for cisterns from other manufacturers. You can see which these are in the following list of compatible sizes.

Scope of delivery filling valve F 10

- 1 Union nut M30
- 2 Threaded nipple connector 3/8"
- 3 Grohe adapter
- 4 Attachment nut 3/8"
- 5 Filling valve with threaded connection M30

Compatible with manufacturer	Concealed cisterns
TECE	All TECE cisterns
Geberit	UP320 / UP300 / Sigma 12 cm
	UP200 / Kappa 15 cm
	UP100 / Delta 12 cm
	UP120 (Artline) / Kappa 15 cm
	UP130 / 110.800 / Twinline 12 cm
	UP170 / 110.700 / Twinline 8 cm
	UP700 / Unica
	Omega 12 cm
	NUVO / 110.620
	Monolith
Grohe / DAL	Grohe DAL 320, Grohe DAL 330
	Grohe DAL 336
	Grohe DAL 337, 6 I, 6-9 I, AV 1, GD 2
Sanit	Ineo Plus, Ineo Solo
	Ineo 80, Ineo, Ineo In
	CC-120-L-FO-2V-L
	982N, 983N, 988C
	980N, 995N
Viega	1H, 1L, 1S
	2H, 2L, 2S
	1C, 2C
Friatec	302003 (Friabloc, Friaset, Wimo)
	302006 (Friafix, Friaset, Wimo, Friaplan)
	302010 (Friabloc, Friaset, Wimo, Friaplan)
	352005 (Friabloc, Wimo, Friaplan)
Wall-mounted cisterns	with 3/8" threaded connection

SANITARY TECHNOLOGY IN A SYSTEM

TECE SANITARY MODULES

System solutions for dry-wall and brick-wall construction

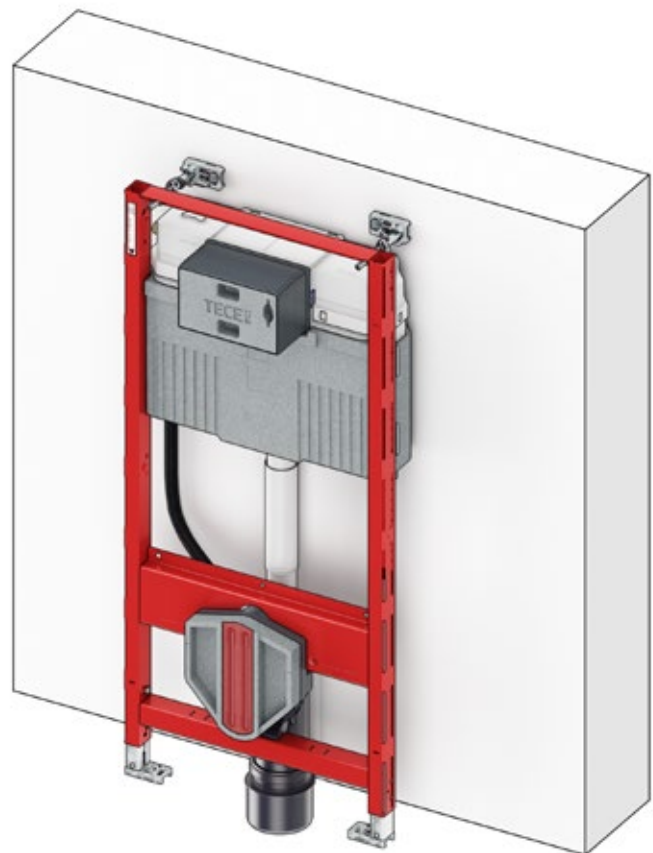
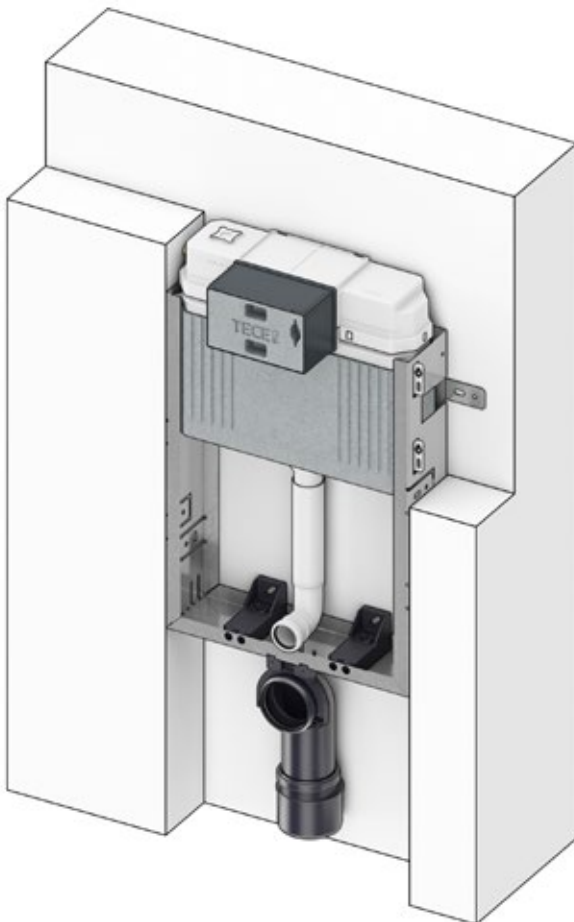
Ready for anything

No job is the same as the next. But why should that mean starting from scratch on every sanitary installation? Not when there's a solution that delivers the most important measures straight from the factory. Pre-assembled products in TECE sanitary modules are ready to go – whether in brick-wall construction, in the TECEprofil system or in metal and wooden stud walls. This approach saves time and hassle – and avoids errors.

And because TECE sanitary modules are also components in system solutions tested for sound insulation and fire protection for public buildings and project construction, the modules can be installed both in your own home as well as in a hotel or the healthcare sector. Compliance with the applicable standards is already taken into account during construction. Simply unpack and install – this is what TECE means by "Ready to install".

Dry-wall modules

Pre-assembled sanitary installations for assembly in the TECEprofil system, in metal or wooden stud walls or free-standing in front of the wall.



Brick-wall modules

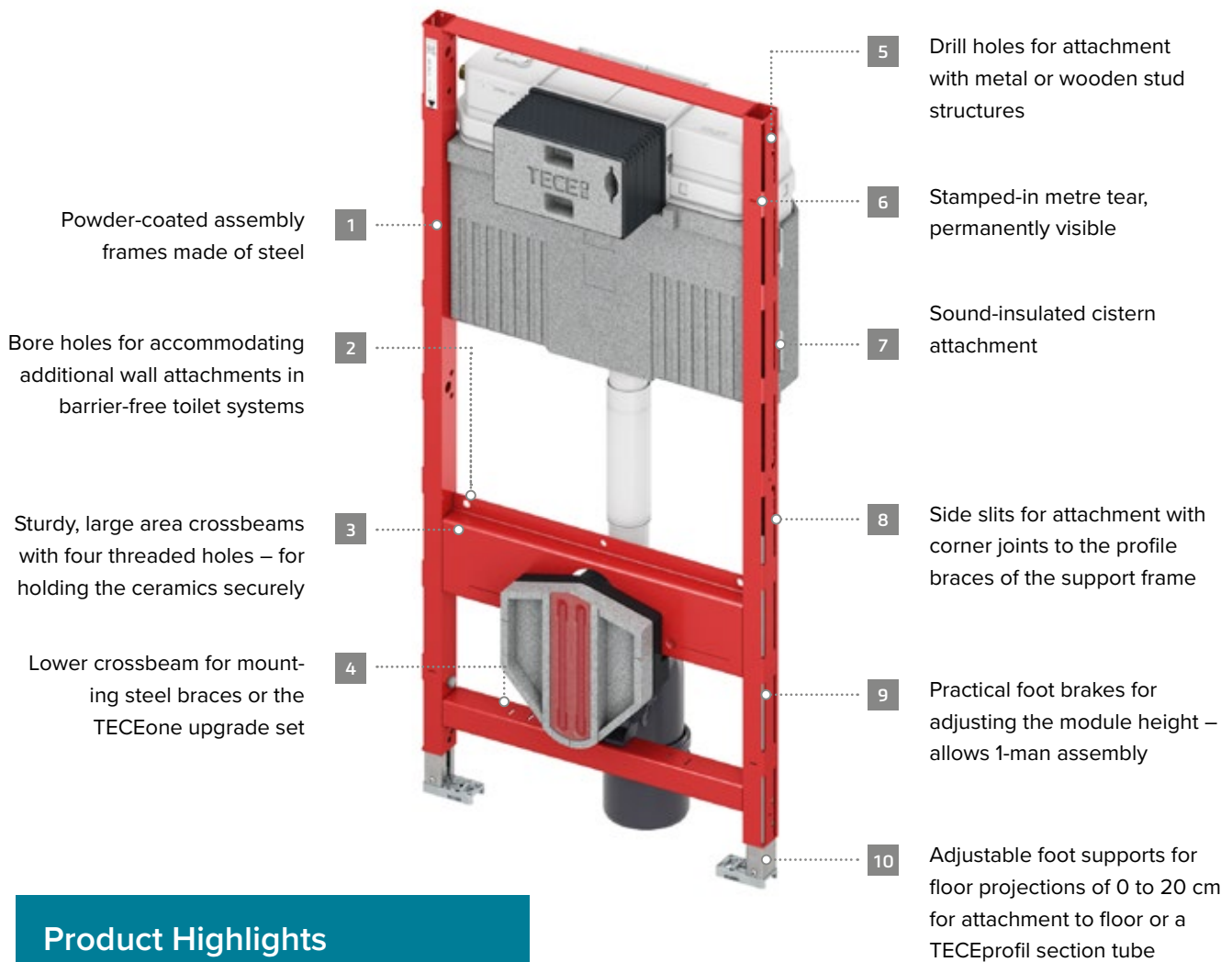
TECEbox – the module for brick-walled pre-wall assembly.



Suitable for installation in the
TECEprofil system and in metal
or wooden stud walls.

TECEprofil

Sanitary installation in no time – from single module installation through to the design of complete room concepts. With sanitary modules in the TECEprofil system.



Product Highlights

- For assembly in the TECEprofil system, in metal or wooden stud walls or free-standing in front of the wall
- Uni cistern fully pre-assembled and sealed
- Available in three installation heights: 1120, 980 and 820 mm
- Statically self-supporting and durable up to 400 kg
- Complies with sound insulation standards DIN 4109 and VDI 4100



OUT OF THE BOX. SET. GO.

Our pre-assembled modules in the TECEprofil system make child's play of all standard sanitary installations: the technology is so perfectly coordinated that all assembly – from the washstand to the shower toilet – can be done by just one fitter. Simple, reliable, effortless!

Slip-proof

The special feature for 1-man assembly is the foot brake developed by TECE that effectively prevents module from slipping backwards. The TECE module can be pulled up to the correct installation height with little force.

1



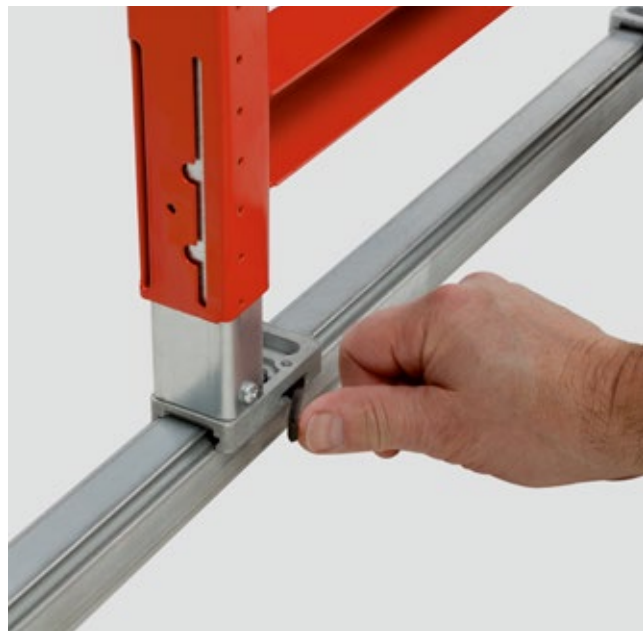
3

Impact-proof

The slotted profiles in the module frame enable the modules to be fixed to the supporting framework with corner joints.



2



4

Stable

After the module feet have been locked, the module is permanently connected with the lower continuous section brace.

- 1 Placement of module feet on the lower section brace
- 2 The foot brake prevents slipping
- 3 Slotted profiles in the module frame
- 4 Locking the module feet

THREE PARTS, ALL POSSIBILITIES.

Universal use with systems: thanks to the equally simple and diverse concept, a single fitter can create entire bathrooms with TECEprofil all the way up to tiled surfaces. With just a few components, infinite combination options and a large selection of pre-fabricated modules.



22

Well connected

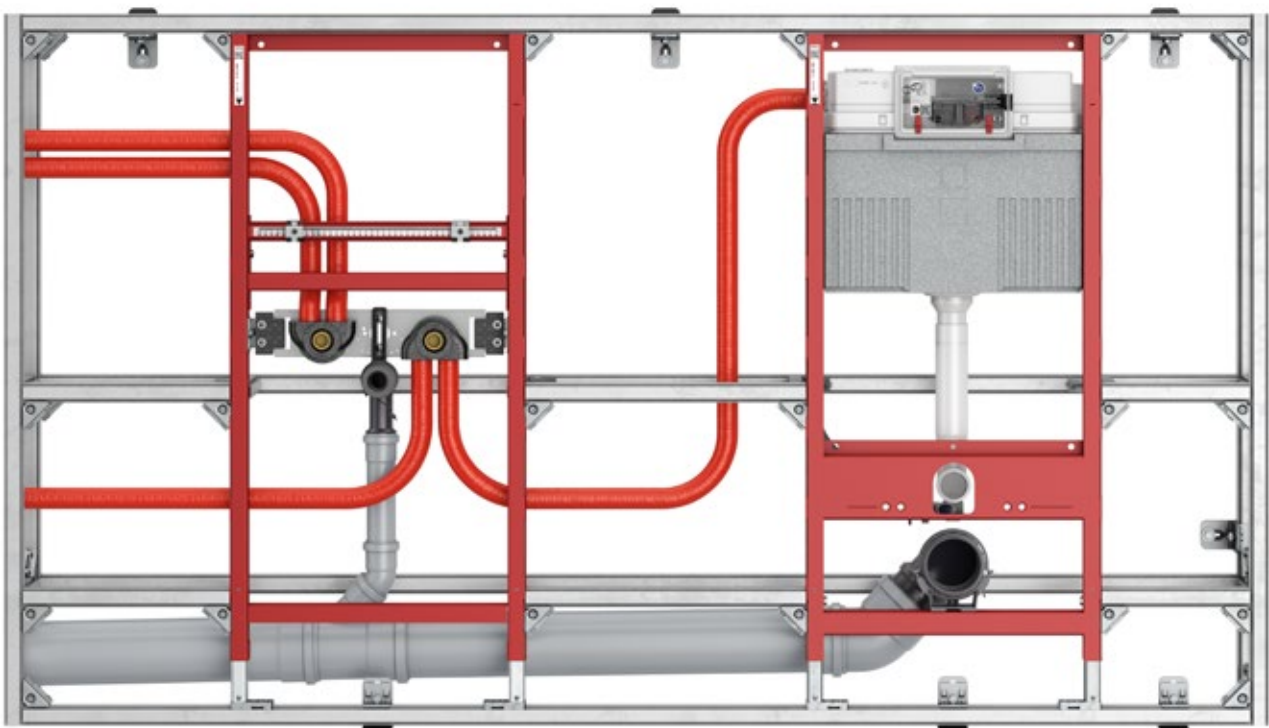
With just three basic TECEprofil components, a complete supporting structure can be set up in the shortest time scales – with the TECEprofil corner joint, the section tube and the wall mounting bracket. An Allen key is all that's needed to secure the connection. The connection can be loosened again with the Allen key at a later stage.

“A well thought out product which is easy to install by hand, saves valuable time and gives greater security on the construction site.”



Create free spaces

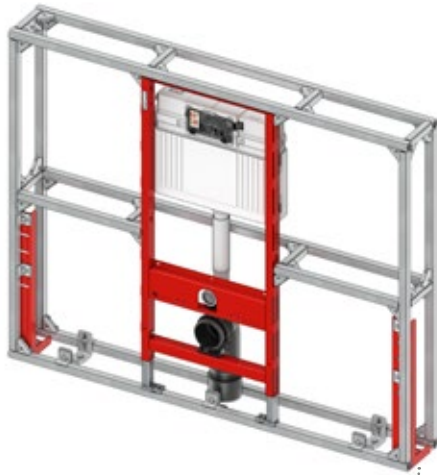
It's not the ground plan that makes the bathroom – it's what you make of it with TECEprofil: with our flexible and simultaneously robust yet especially reliable system, you can make optimum use of room concepts including integrated home technology.



Pre-fabricated modules e.g. for connecting washstands and toilets. Simpler and structurally safer setup of half-height or room-height partition walls.

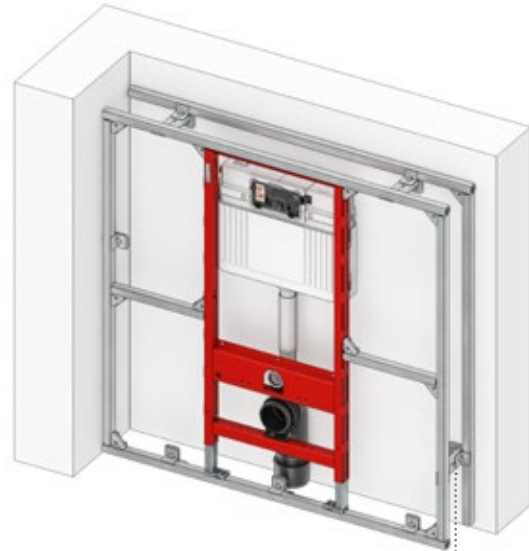
EQUIPPED FOR EVERY INSTALLATION SITUATION.

Thanks to clever accessories, TECEprofil modules can be installed almost everywhere.



Installation in free-standing TECEprofil wall

TECEprofil supporting feet to brace free-standing TECEprofil supporting frames.



Installation in a TECEprofil pre-wall

TECEprofil double joint to simultaneously attach two TECEprofil section tubes to the structural shell.



Installation in a metal stud wall

TECEprofil mounting set for flush-mounted profile walls to attach TECEprofil modules to lateral flush-mounted profiles.



Installation in a wooden stud wall

TECEprofil mounting set for wooden stud walls to attach TECEprofil modules to lateral stud structures.

Individual module installation in front of a solid structural shell wall

Depth-adjustable TECEprofil module attachment with installation spacing 150 to 240 mm.



Variable depth and height-adjustable TECEprofil module attachment for height of 1190 to 1300 mm.



Corner assembly in front of a solid or plasterboard wall

TECEprofil module attachment for variable corner assembly.



TECEprofil module attachment for wall corner assembly to attach TECEprofil modules at a 45° angle.



MODULES FOR ALL SITUATIONS.

TECEprofil offers modules for almost all requirements in the sanitary sector. Here is a selection of our most popular ones.



- 1 Toilet module with Uni cistern, installation height 1120 mm
- 2 Toilet module with Uni cistern, installation height 980 mm
- 3 Toilet module with Uni cistern, installation height 820 mm
- 4 Toilet Geronto module, with Uni cistern, in accordance with DIN 18040-1, installation height 1120 mm
- 5 Toilet module with Uni cistern, with connection for odour extraction, installation height 1120 mm



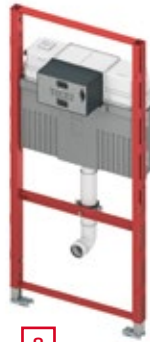
- 9 Washstand module, installation height 1120 mm
NEW: also available in installation heights 820 and 980 mm
- 10 Washstand module with concealed odour trap, installation height 1120 mm
NEW: also available in installation heights 820 and 980 mm
- 11 Washstand module for sink, installation height 1120 mm
- 12 Urinal module with TECE flush valve housing U 2, installation height 1120 mm
- 13 Urinal module with TECE flush valve housing U 1, installation height 1120 mm
- 14 Urinal module for external flush valve, installation height 1120 mm



6



7



8

- 6 Toilet module TECEprofil with Uni cistern, for TOTO Neorest AC/EW shower toilet, installation height 1120 mm
- 7 Toilet module with Uni cistern, for Geberit Publica sink, installation height 1340 mm
- 8 Toilet module with Uni cistern, for children's standing toilet, installation height 1120 mm



15



16



17

- 15 Bidet module for wall-mounted bidet, installation height 1120 mm
- 16 Bidet module for wall-mounted bidet, installation height 820 mm
- 17 Bath/shower module for flush-mounted and wall-mounted fittings, installation height 1120 mm

INTELLIGENT AND VERSATILE.

Special floor plans, special users, special technology: we always find intelligent solutions for special requirements that make your everyday work easier.



28



Installation of shower toilets

More hygienic, cleaner, fresher: cleaning with water instead of paper is growing in popularity.

The problem: the connections are positioned differently with different manufacturers so installing shower toilets is more difficult.

Fit for the future

Electronic shower toilets can easily be retrofitted in the new standard TECEprofil toilet module. The reinforced hose for the shower function is safely guided into the cistern via a conduit. A junction box is integrated in the toilet connection box to supply power to electronic flush plates or shower toilets. Of course, the TECEprofil toilet module can still be equipped with the upgrade set for the TECEone powerless shower toilet, which can be ordered separately.





Recessed solution

Whether diagonally, under the window or in the room: to make optimum use of every square metre in the bathroom, the toilet also finds individual spaces. In a half-height wall the Uni cistern for front and top actuation is quickly assembled with the TECEprofil module for low installation heights.



Climbing? Not necessary!

For nurseries, kindergartens, primary schools: wherever little people make up most of the users, a toilet installation at child height provides greater independence. With the TECEprofil toilet module for children's floor standing toilets, the tried and tested Uni cistern is pre-assembled 10 cm lower. This makes child's play of the assembly too.

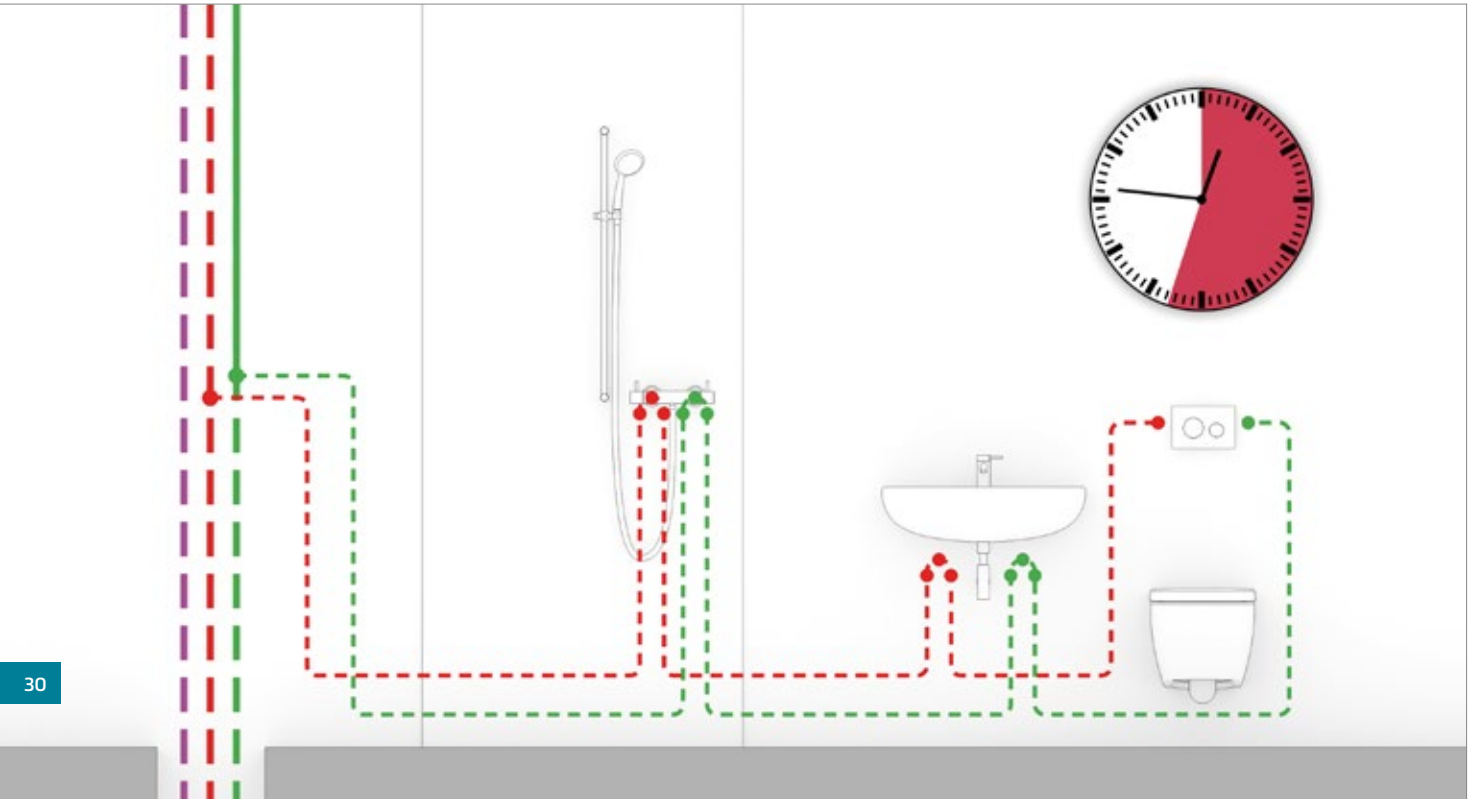


En perfekt løsning!

Different countries, different challenges: protection against moisture is a particularly important topic for wooden houses. That's why TECE has developed a module especially for the Scandinavian market in which the cistern is additionally secure within a water-proof bag.

EVERYTHING'S IN THE CISTERN

TECEprofil toilet module with integrated hygiene flush



Ensure clean potable water. Even when used improperly.

This innovation from TECE turns the toilet cistern into a hygiene flushing station. To achieve this we've integrated into our toilet cistern a hot water connection and a programmable control system in one compact assembly. With the new TECEprofil toilet module with integrated hygiene flush, you can fulfil your obligation as an operator to provide a clean potable water system. Convenient, reliable, economical.

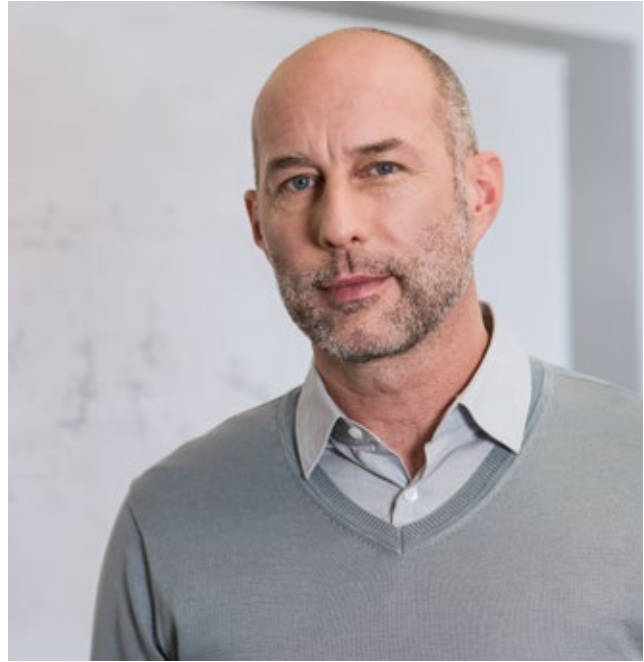
NEW

Alternative cold water

The TECEprofil toilet module with integrated hygiene flush is now also available as a cold water variant especially for cold water installations which are common in schools, service areas or even in the trade. The functions are identical to the version for hot and cold water.

The cold water version of the hygiene flush will be available from June 2021.

“Water exchange can only occur by removing the water. This is sometimes difficult to explain, but is hygienically necessary.”



Simple initial operation via app with any smartphone.
Flushing programmes can be configured via *Bluetooth*®.
All flushes are documented.



This innovative product concept was awarded the German Design Prize: "Winner" in the category "Excellent product design - Bath and Wellness".

The advantages:

- Simple, reliable hygiene flush in a compact design
- Operational reliability with logging feature
- Individually programmable via app, for lots of applications
- Connection to smart home solutions or BCT possible
- Reduced assembly effort, completely pre-assembled components
- No additional fixtures and inspection openings in the bathroom
- No separate drainage piping, shorter pipe routing

THE TECHNOLOGY IN THE CISTERN: PRE-ASSEMBLED COMPONENTS, DIGITALLY CONTROLLABLE.

Technical data:

Max. Water pressure: 10 bar (1 MPa)
Minimum flow pressure: 1 bar (0.1 MPa)
Calculation flow: 5 l/min

Defined water volume:

A dynamic flow valve ensures an operating range of 1 to 10 bar with a constant volume flow of 5 l/min. The corresponding programmed flush volume is thus drained over the calculated flush time.

Wiring:

- 2-pin plug for 12 V power supply
- 5-pin plug for optional connection of building control technology

Inspection:

All components can be inspected via the flush plate

Solenoid valves for hot and cold water

Programming and control unit with Bluetooth connector:

Operation via TECEsmartflow app or alternatively via building control technology

EN 1717 safeguard:

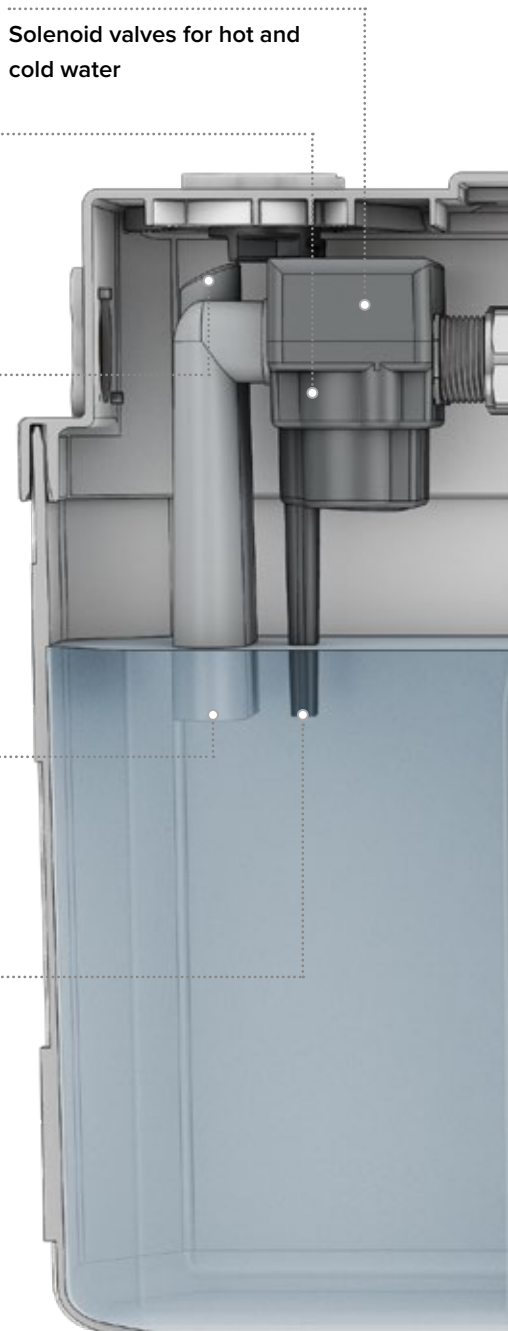
Anti-backflow with clear outlet, immersion pipe and overflow (type AC)

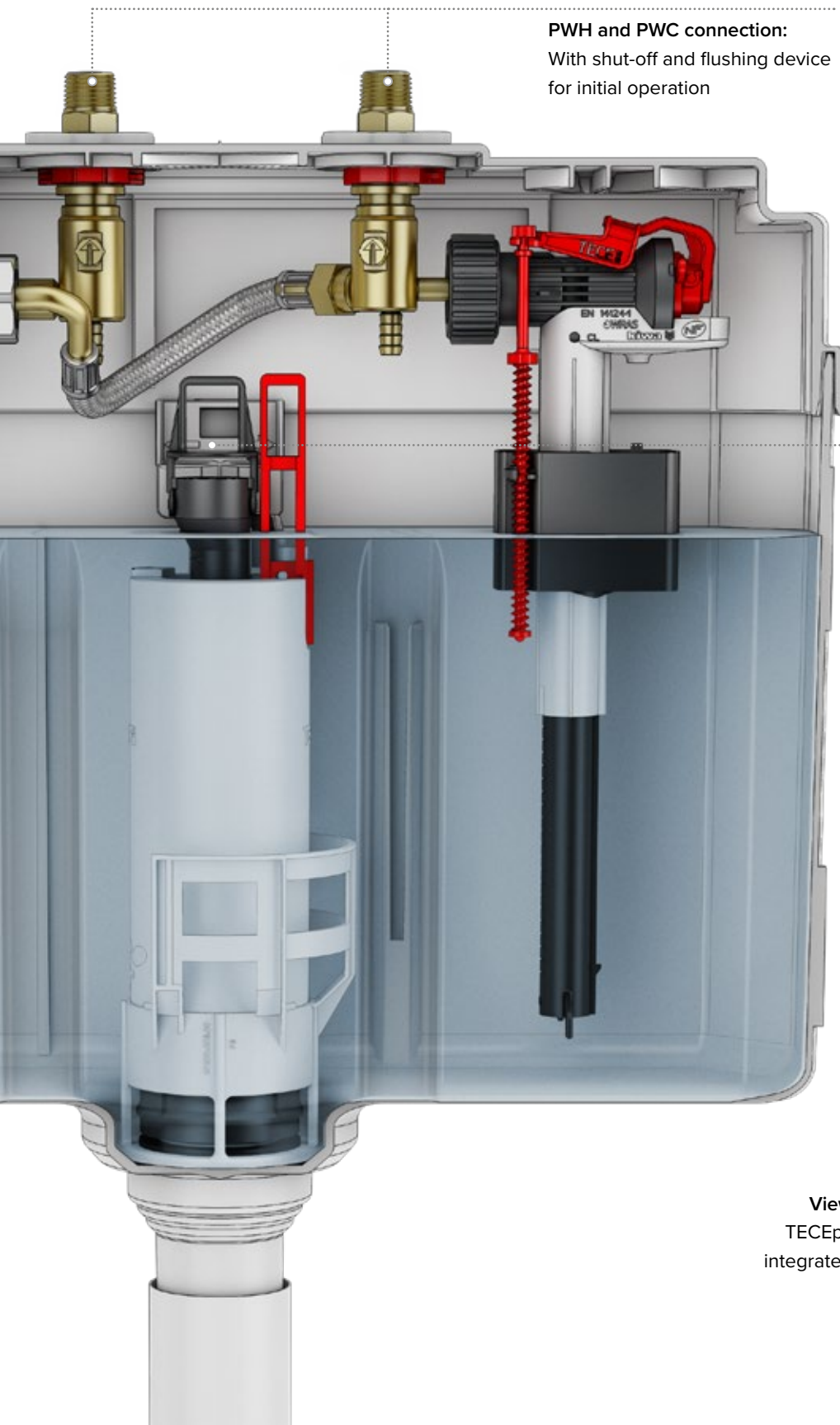
Splash-free release into the cistern:

The warm water flush volume mixes with the large cistern volume from the Uni cistern.

Capacitive sensor for usage recognition:

When the toilet flush is activated (the water level in the cistern drops), a hygiene flush is skipped and the timer is reset.





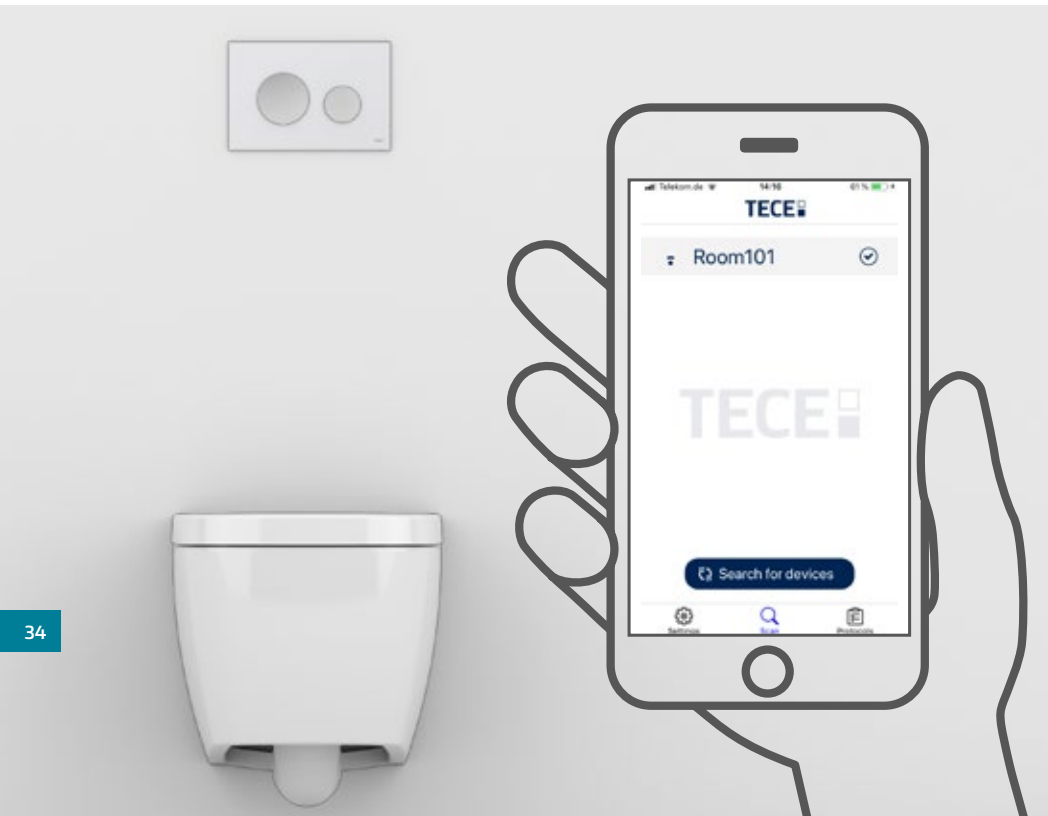
PWH and PWC connection:
With shut-off and flushing device
for initial operation

Overflow in the drain valve:
The drainage capacity of the
overflow is designed to be big
enough to safely drain the flow
volume of the hygiene flush and
the filling valve in the event of
a fault.

View now: This is how the
TECEprofil toilet module with
integrated hygiene flush works.



THE SOFTWARE: PROGRAMME THE TECE HYGIENE FLUSH WITH EASE.



The hygiene flush is up and running in just a few minutes. After an initial flushing of the lines and connection to the power supply, the flushing station can be programmed using the easy to understand TECEsmart-flow app via Bluetooth on smart-phone or tablet.

View now: Find out how to easily programme the TECEsmartflow app here.



Programmes:

Choose between the “Weekdays” and “Interval” flush programmes.



Interval:

The interval and flush volume can be continuously adjusted. The interval timer is reset and restarted after a normal water removal.



Weekdays:

You can select days and times for flushing. The flush volume can be continuously adjusted here, too. In case of regular water usage, the automatic flush planned for that day is skipped.



Flush volume:

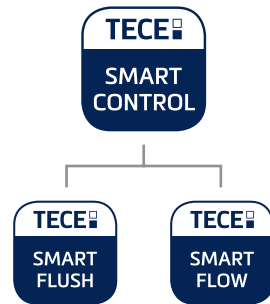
The flush volumes for hot and cold water can be set to the individual line volumes independent of one another on each device.





Logging feature:

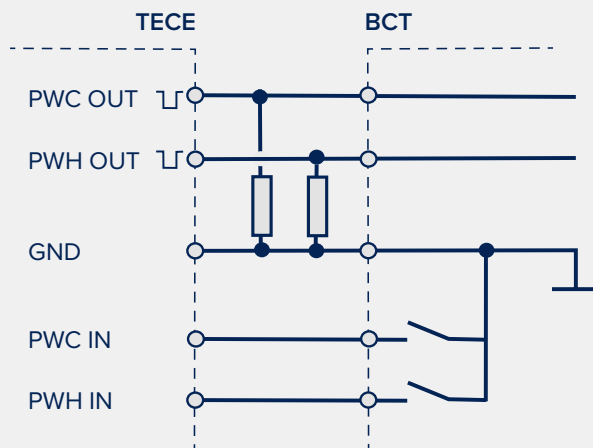
The electronics record all flushes and store these as a log. Additionally, the current settings for the flush programme are always documented. You can use the app to retrieve, export and process the log in PDF format. The log tracks the flush history and demonstrates continuous proper operation.



App – TECEsmartcontrol

The TECEsmartflow app is part of the new app TECEsmartcontrol. This enables commissioning and adjustment of both the TECE hygiene cisterns and the TECEsolid flush plates. Simply intuitive.

Free: The TECEsmartcontrol app. Download now:

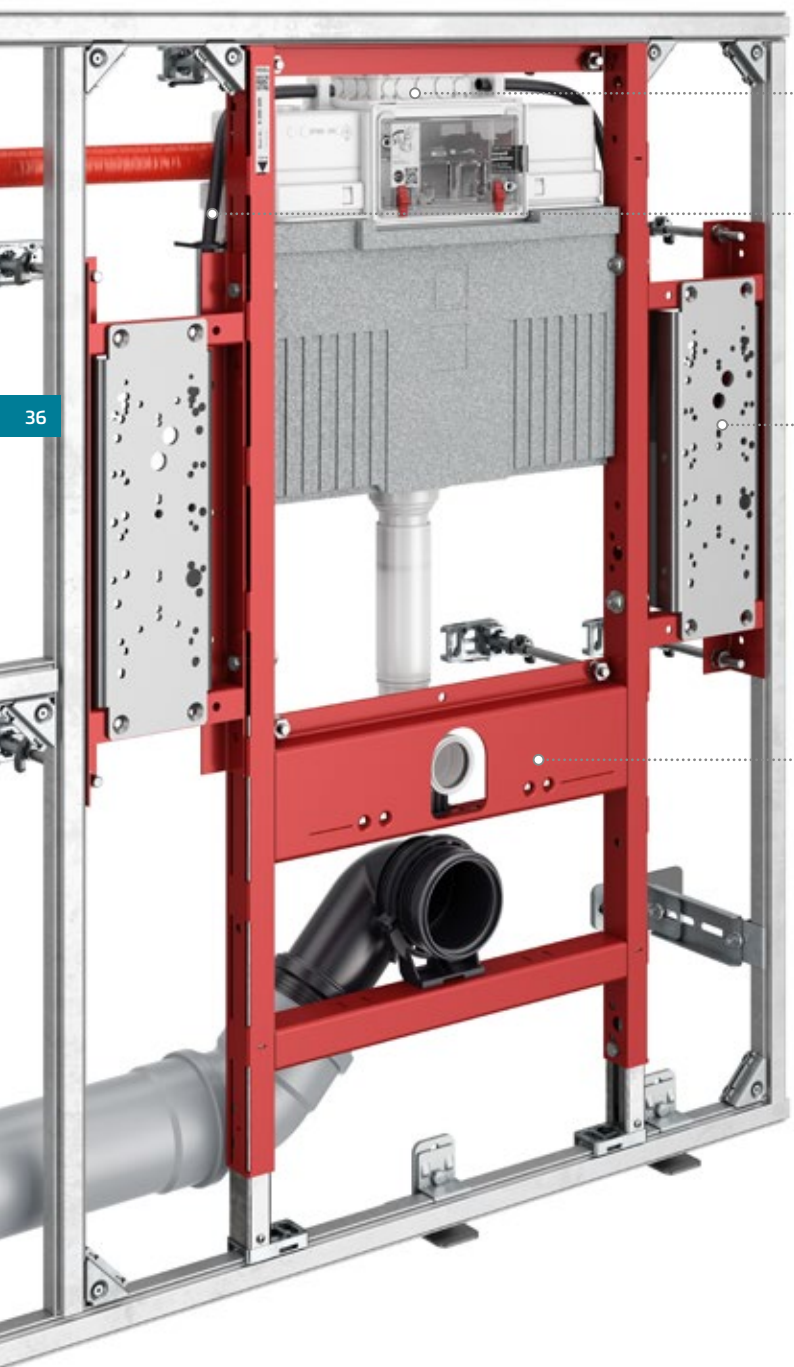


Building control technology:

There is also the option to connect the hygiene flushing unit to building control technology. Two BCT potential-free contacts can be used to actuate the hot and cold water flush valves. The BCT then functions as the master. The flushes can also be transmitted to the BCT via two outputs (low signal) for documentation purposes.

BARRIER-FREE TOILET SOLUTIONS.

Stress-free, simple, reliable: the TECEprofil Geronto module that meets the requirements of DIN 18040 straight from the factory – for standard-compliant use in hospitals and the healthcare sector.



- 1 The junction box is accessible at any time
- 2 Pre-assembled conduits
- 3 Steel or wooden plate set for attaching the safety support arms
- 4 Sturdy crossbeams with four threads – for holding the ceramics securely even with a high load

Ready for anything

The TECEprofil Geronto module was specially designed for the needs of people with physical limitations – the seating height, distance from the wall and structure all meet the standard of “Barrier-free construction”. The Geronto module simplifies the installation of the flush actuation on the safety support arm with pre-assembled conduits for cabling. We also offer a solution for standard-compliant and quick assembly of the safety support arms: in the form of steel plates that match the module.



More freedom – during use too

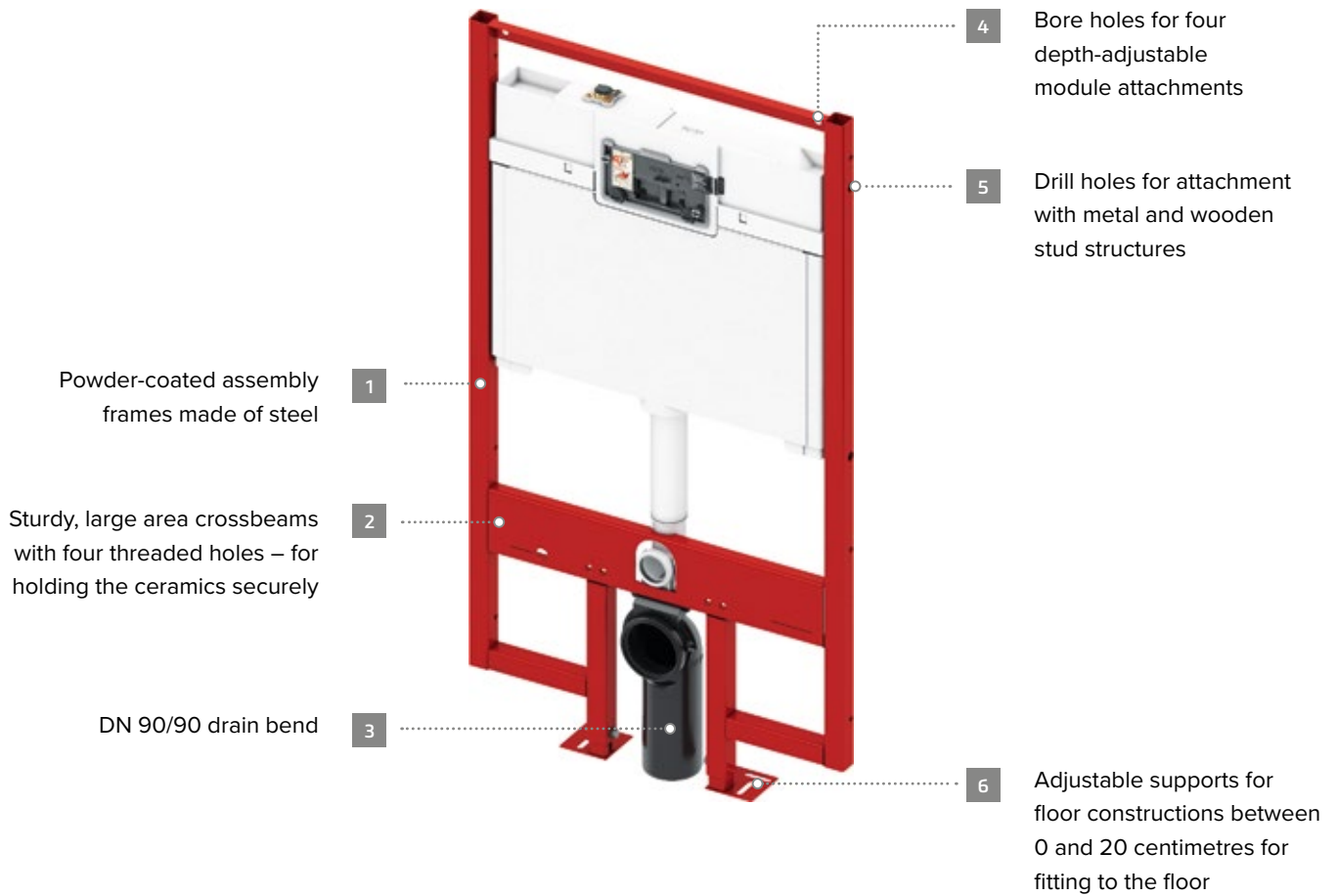
TECE offers cabled and wireless flush actuations specially for barrier-free toilets. Cabled, the flush can be actuated on the safety support arm or on the wall. The radio button provides the option to mount the flush actuation at any desired point within reception range of the electronics. Additionally, you can also always operate the plate manually too.



Suitable for free-standing installation, installation in front of a solid wall or in metal and wooden stud walls.

TECEconstruct

Uni and Octa cistern in a single module: fully pre-assembled and sealed. Proven flushing technology thus installs in no time.



Product Highlights

- For assembly in front of a solid structural shell wall or in a metal or wooden stud wall
- All TECEconstruct modules are statically self-supporting and durable up to 400 kg
- Also available as a version for free-standing assembly

ASSEMBLES EVERYWHERE QUICKLY AND SIMPLY.

Whether free-standing, in a solid wall or in a stud wall.
Thanks to well thought out design and clever accessories.



Effortlessly implemented

Self-supporting toilet pre-wall installation made easy:
4 free-standing feet and a double frame make it possible
to install the TECEconstruct toilet module "Premium"
solely in the floor without force-transferring attachment
points on the wall.



TECEconstruct toilet module
"Standard" with Uni cistern,
installation height 1120 mm



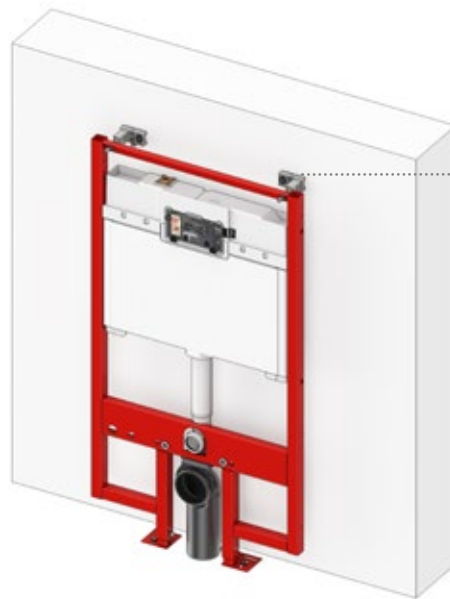
TECEconstruct toilet module
with Octa cistern, 8 cm,
installation height 1200 mm

Deeply relaxing

Available with the tried and tested Uni cistern and the extra-flat Octa cistern: the TECEconstruct toilet module for assembly in front of a solid wall or in metal and wooden stud walls.

In every situation

Simple accessories from the TECEconstruct range mean the TECEconstruct toilet module fits every installation situation.



Individual module installation in front of a solid structural shell wall

E.g. with depth-adjustable TECEprofil module attachment with installation spacing 150 to 240 mm.



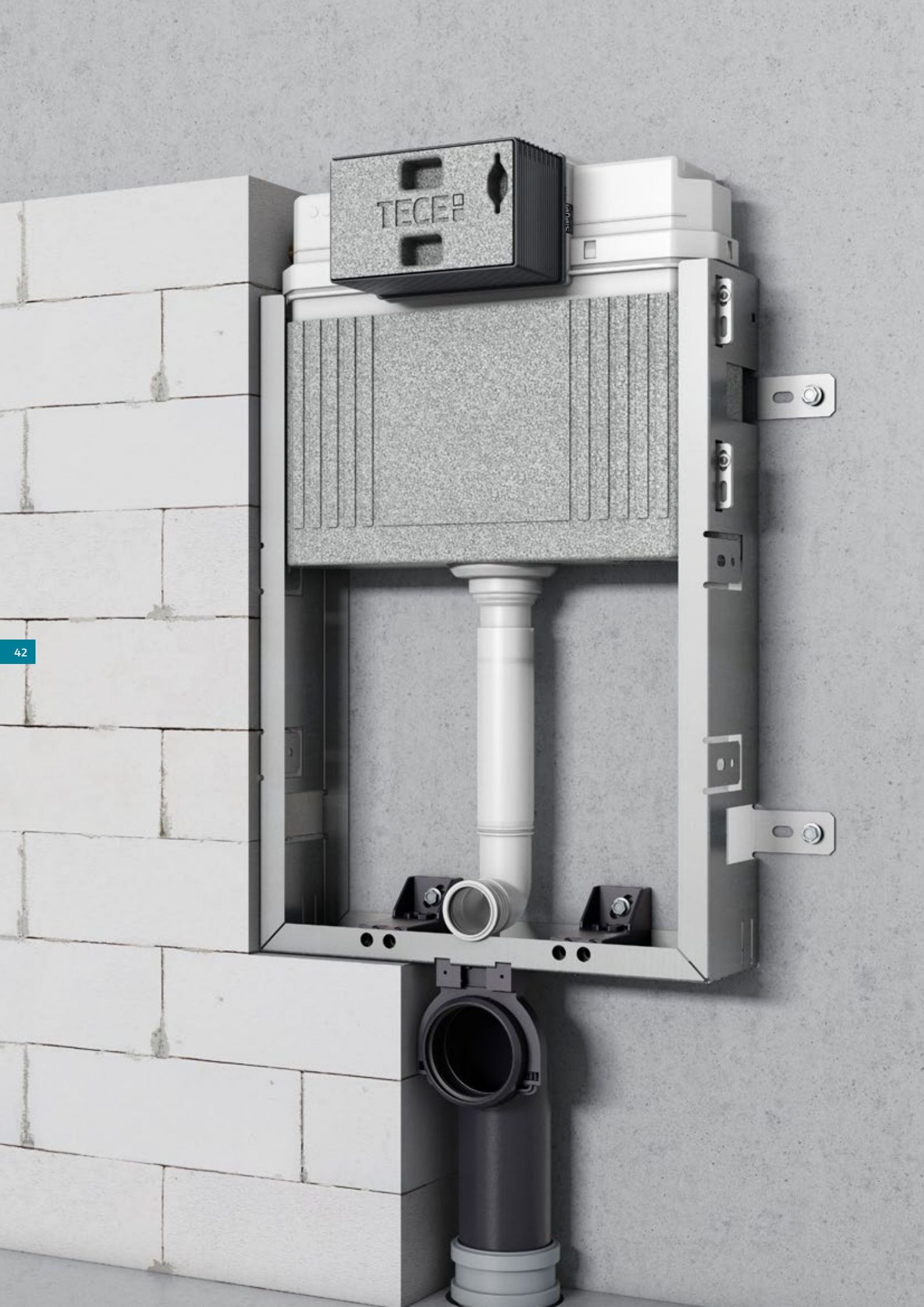
Installation in a metal stud wall

E.g. with TECEprofil mounting set for UA profile walls.



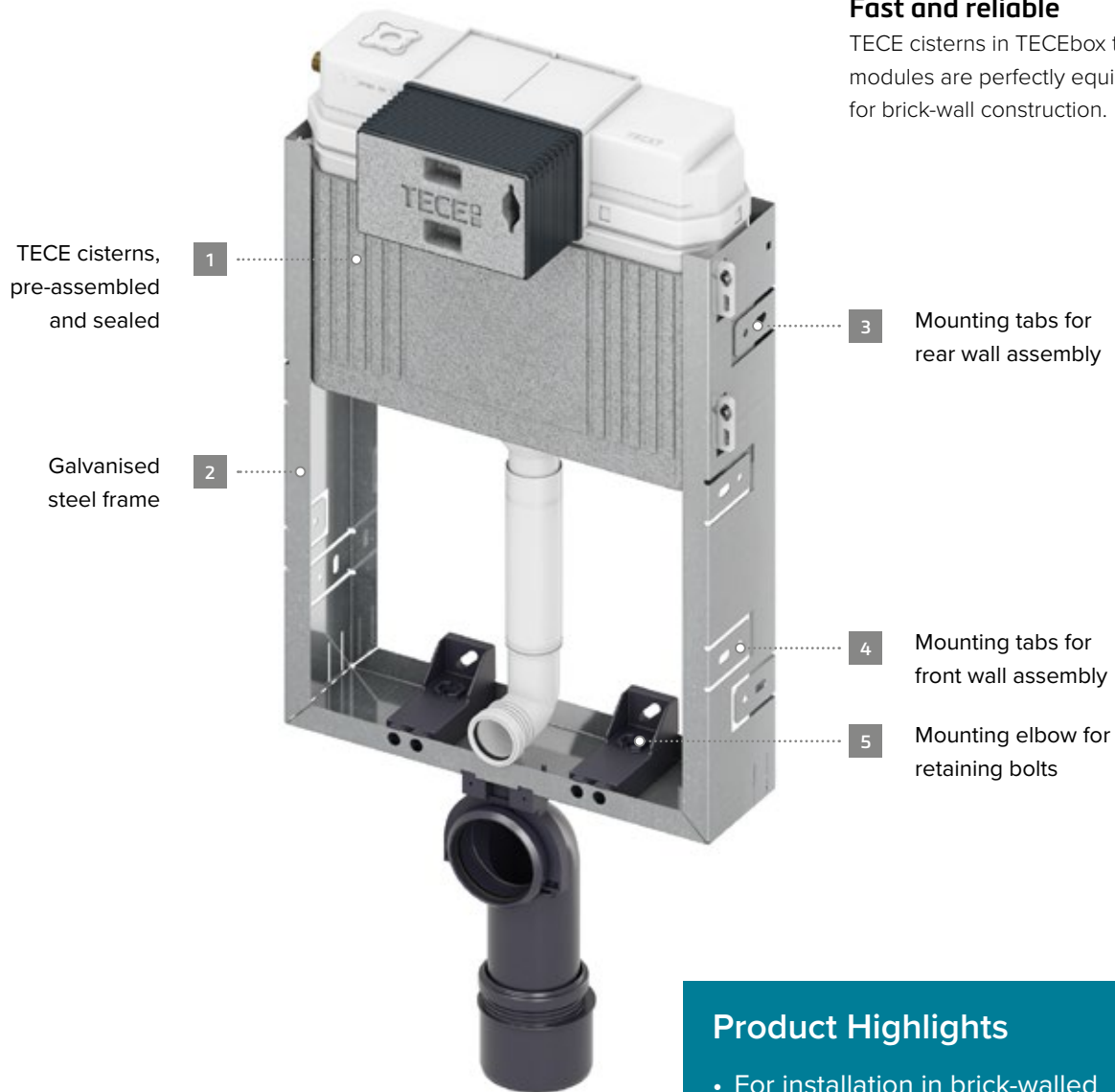
Installation in a wooden stud wall

E.g. with TECEprofil mounting set for wooden stud walls.



TECEbox

Proven for brick-wall construction:
the TECEbox series modules.



Fast and reliable

TECE cisterns in TECEbox toilet modules are perfectly equipped for brick-wall construction.

Product Highlights

- For installation in brick-walled pre-walls
- Available in versions for the Uni and Octa cistern
- Cisterns fully pre-assembled and sealed
- Also with lower installation height or as TECEbox toilet module with tileable front facing
- Brick-wall construction frame also available for washstand and urinal

MOUNT IT, TILE IT, DONE.

The proven Uni cistern is pre-assembled from the factory, delivered sealed, optimally integrated in brick-wall construction.



TECEbox toilet module with Uni cistern, with tileable front facing, installation height 1110 mm:
Toilet module for installation in a bricked-in pre-wall. Closed surface suitable for tiling made out of glass fibre light concrete. Including pre-assembled height-adjustable supporting feet.



TECEbox toilet module with Uni cistern, installation height 1060 mm:
Toilet module for installation in a bricked-in pre-wall in front of a solid wall. Attached in front of or behind solid walls via opposed attachment tabs.



TECEbox toilet module with Uni cistern and tile base front, installation height 820 mm:
Toilet module for installation in a bricked-in pre-wall in front of a solid wall, depth-adjustable.



TECEbox assembly area cover:
Steel sheet with screw-on glass fibre lightweight concrete board. To face the entire surface of the lower build space of the TECEbox with tileable surface.



TECEbox urinal flush valve housing U 2:
For mounting the TECE urinal flush valve U 2 in brick-wall construction. For mounting the TECEfilo urinal electronics.



TECEbox urinal flush valve housing U 1 with retaining clip:
Urinal flush valve housing for mounting the TECE urinal flush valve U 1 in brick-wall construction.



TECEbox washstand module, installation depth 8 cm:
To be mounted in front of a solid wall. With four depth-adjustable wall attachments. Installation depth 8-19 cm. Ceramic attachment distance 17-28 cm.



Saves time and trouble

The prefabricated glass fibre lightweight concrete board means the box doesn't need to be bricked up. The assembly area cover available as an accessory makes it possible to create a continuously tileable surface – in no time!



9375004 TECEbox toilet module with Uni cistern, installation height 820 mm:

Toilet module for installation in a bricked-in pre-wall in front of a solid wall, depth-adjustable.



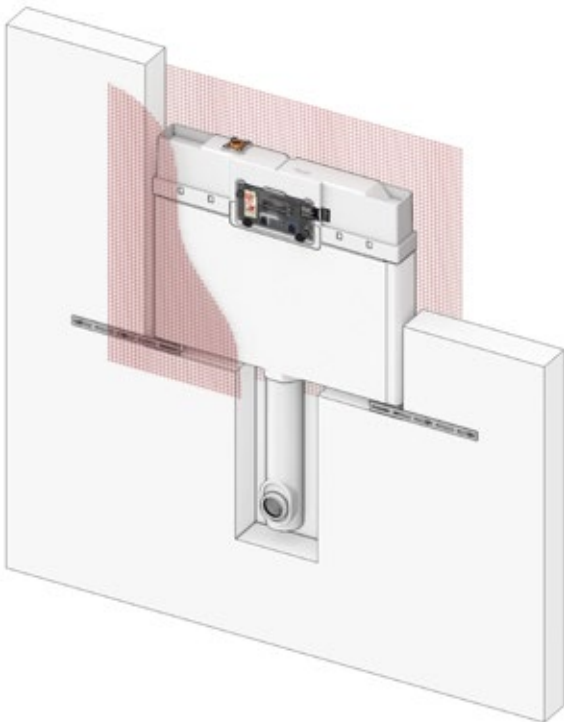
TECEbox Uni cistern with fitting brackets, installation height 1060 mm:
Uni cistern for shell installation.



TECEbox Uni cistern including mounting plate, installation height 1060 mm:
Uni cistern for shell installation.

IDEAL FOR BRICK-WALL CONSTRUCTION WITH LOW DEPTH.

The extra-flat TECE Octa cistern for floor-standing and wall-hanging ceramics. For installation in a solid wall or in a bricked-in pre-wall.



Brick-wall construction variants for floor-standing ceramics

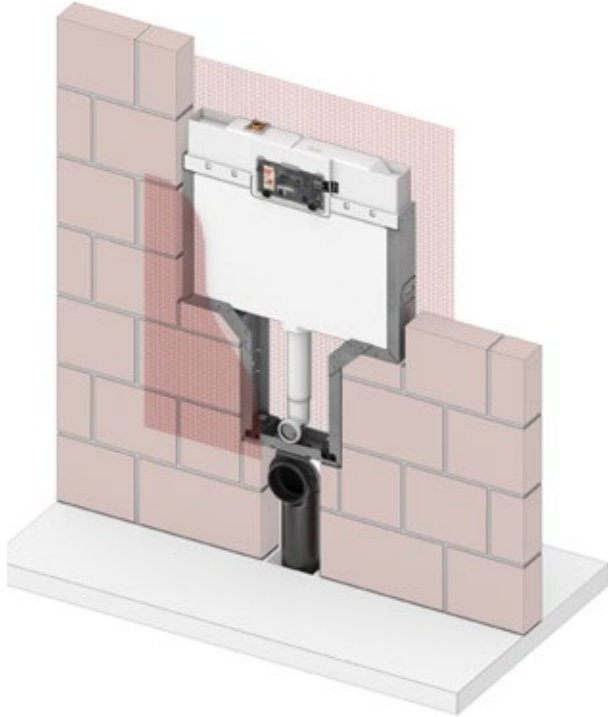
Install, grout, done. Installation can be done even faster with the TECE Octa cistern with prefabricated and pre-glued reinforcement fabric.



TECEbox Octa cistern, 8 cm, for standing toilet, installation height 1110 mm.

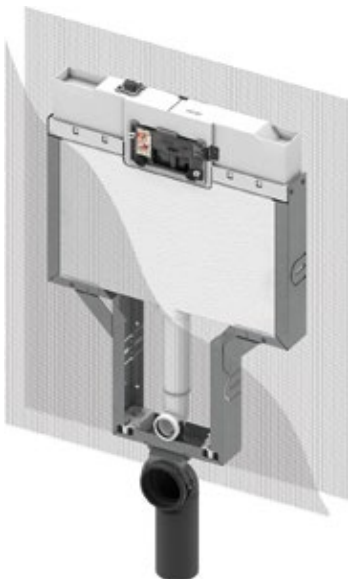


TECEbox Octa cistern, 8 cm, for standing toilet, with reinforcement fabric, installation height 1110 mm.

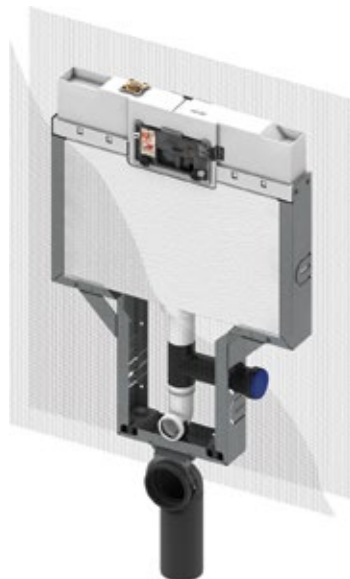


Brick-wall construction variants for wall-standing ceramics

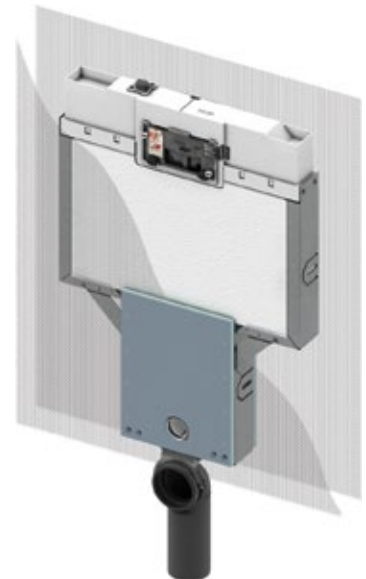
The Octa cistern can also be ordered completely pre-assembled and sealed in the TECEbox toilet module for quick and simple assembly when used with wall-hanging toilet ceramics – also with sound insulation or with odour extraction.



TECEbox toilet module with Octa cistern, 8 cm, for wall toilet, installation height 1110 mm.



TECEbox toilet module with Uni cistern, 8 cm, with connection for odour extraction, installation height 1110 mm.



TECEbox toilet module with Octa cistern, 8 cm, for wall toilet, sound-insulated, installation height 1120 mm.

SANITARY TECHNOLOGY IN A SYSTEM

TECE FLUSH PLATES

Toilet and urinal flush plates

Fits in every way

Whether made of economical plastic, out of hygienically robust stainless steel, elegantly in real glass or slate, controlled at the push of a button or by sensor, classic, geometric or minimalist modern, mounted flat on the wall or even flush-mounted – the breadth of colours, shapes and materials available means you'll always find

the right choice in the TECE range of flush plates. For every budget, every space, and also guaranteed for every TECE cistern – because thanks to the flushing technology in the system, all TECE flush plates are compatible with all TECE cisterns. *

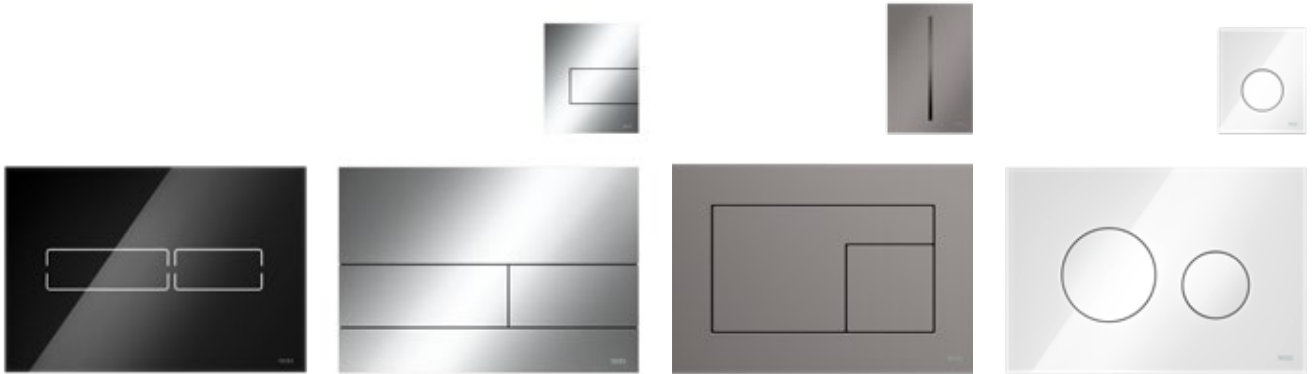


You can find all information about ranges and versions in the TECE Bathroom & Toilet Design Catalogue and in the total range of TECE flush plates at www.tece.com.

*Flush plate with sensor operation only compatible with TECE Uni cistern.

DIVERSITY IN A RANGE.

From functional to high tech: TECE flush plates offer a wide selection of materials, forms and functions for every ambience and every budget.



TECElux Mini

The modern design element in the bathroom: the refined real glass surface integrates a responsive sensor field that activates the flush touch-free and becomes a guiding light by night.

TECEsquare

High-quality materials in the most precise form: this button actuation for dual-flush system lets you experience stainless steel alone or in perfect harmony with glass.

TECEvelvet & TECEfilo-Velvet

TECEvelvet is a completely new type of flush plate. Ultrasoft touch, super matte appearance, and absolutely resistant to fingerprints, scratches and cleaning agents.

TECEloop

As a finished model or individually in a modular system: TECEloop scores with more than a hundred possible looks created through the combination of various materials and colours for covers and buttons.



It's about the details.

The new PVD surface finishes for toilet flush plates of the TECEsquare metal series and the TECEdrainprofile recessed shower profile now allow for harmonious bathroom design right down to the details. They are colour matched to the latest offers from leading manufacturers including those from the hansgrohe/AXOR collections.

The flush plate in the TECEloop modular system is individually configured from 11 covers and nine buttons.

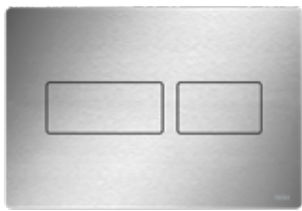


+



=



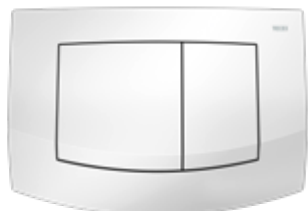
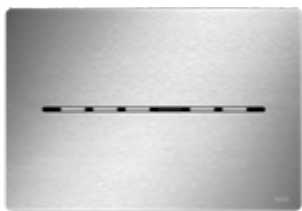


TECESolid & TECEfilo-Solid
Puristic design, robust installation, attractive price – attributes that make the flush plate series TECESolid particularly interesting for use in public and semi-public areas.

TECEnow
With rough edges: generous buttons in an extra-flat frame characterise the modern look of TECEnow.

TECEplanus
Ideal for special challenges: the robust stainless steel flush plate for public facilities. Available with purely manual actuation or in a combination of flush plate and sensor mechanism.

TECEbase
Simply good. The solid flush plate made of plastic with a bright chrome look impresses in terms of function – and price.



TECESolid toilet electronics
TECESolid is a robust and water-saving flush plate for public areas. Touch-free, an innovative sensor reliably activates flushing.

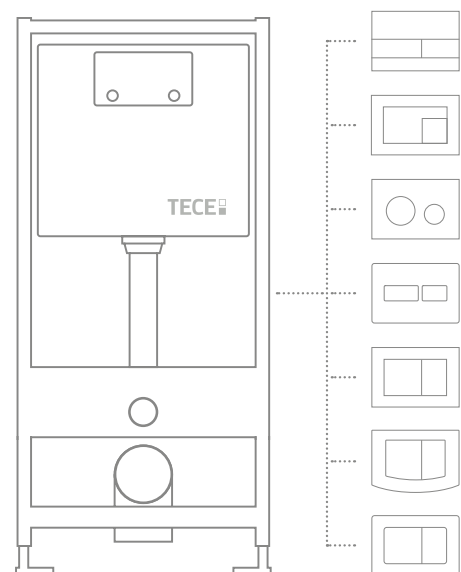
TECEambia
The first toilet flush plate from TECE – and still current: the TECEambia flush plate for the single or dual-flush system.



TECEfilo
The slim urinal flush plate with sensor function. Alone or as the perfect companion for linear design toilet flush plates.

Each part fits together

All manual TECE flush plates combine with all types of TECE cistern – and are also mutually interchangeable with zero issues.



FORM MEETS FUNCTION.

TECE flush plates impress visually – and with even more possibilities for extra comfort and flexibility in the bathroom.



Light and elegant

With its combination of colour and material, the TECESquare flush plate made of glass in white looks especially light on bright wall claddings. For an even more uniform look, all TECESquare flush plates made of glass can also be flush-mounted.



Matching urinal flush plates are also available in the various versions made of glass.



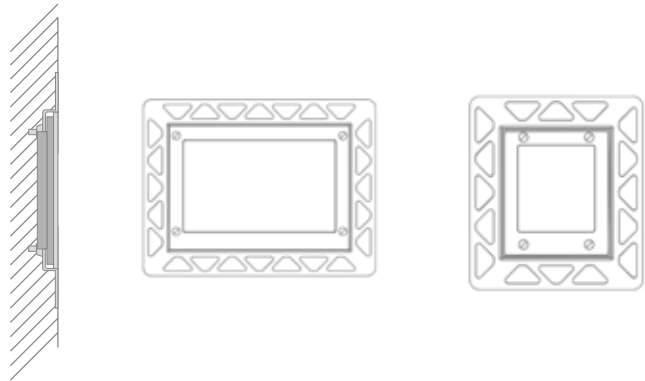
Greater freshness

A shot of extra freshness for the toilet – without annoying residues and changing the fragrance rinse in the ceramic. With the optional insert chute for cleaning tablets, the freshness for the flushing water comes from the cistern with zero fuss.



As required: top actuation also possible

Different bathroom, different requirements: with TECE flush plates, the flush actuation not only works from the front but also from above.



Flat, flatter, flush-mounted

Perfect design in form and function. Even in the profile. That's why we've reduced the installation height of many of our flush plates to a minimum. Flush-mounted installation with special installation frame (which is an optional extra for many TECE flush plates) provides an even more seamless appearance – for the urinal too, of course.

READY FOR BIG CHALLENGES.

Lots of users – that means huge potential for dirt, bad smells and damage. TECE helps: with robust, durable toilet and urinal electronics that understand your needs.



54

A reliable partner

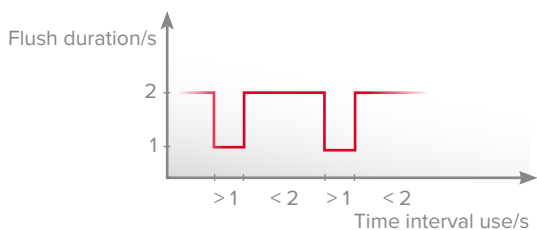
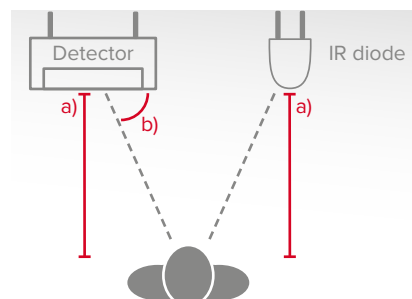
Touch-free flushing electronics add a decisive hygiene advancement in public and semi-public areas. Flush automation from TECE can do more: because thanks to precise person recognition, the flush is only activated when needed. And thanks to interval measurement, even the amount can be adjusted to meet the actual requirements. Collaboration with staying power: because anti-theft protection is already included with some models with the help of a concealed screw.

“In public areas it comes down to hygiene and stability. However, water consumption is becoming increasingly important for customers. But the most important thing is still reliability.”



Person recognition evolved

With simple IR sensors, the flush actuation is controlled solely by the amount of light a possible user reflects. The problem: a simple bright outfit of someone walking past can actuate an unnecessary flush. This sensor a) measures the distance of the person from the urinal or toilet and b) entry angle of the light. Together with good detection of black by the sensor and its insensitivity to changing lighting, the person recognition is thus optimised – and unwanted actuations are reduced to a minimum.

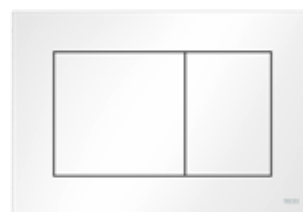


Half-time break

If a urinal or toilet is frequented in short intervals, less water is required for the flush. The flush controller from TECE measures the time interval between individual uses – and automatically reduces the flush volume.

1 - 0 for hygiene

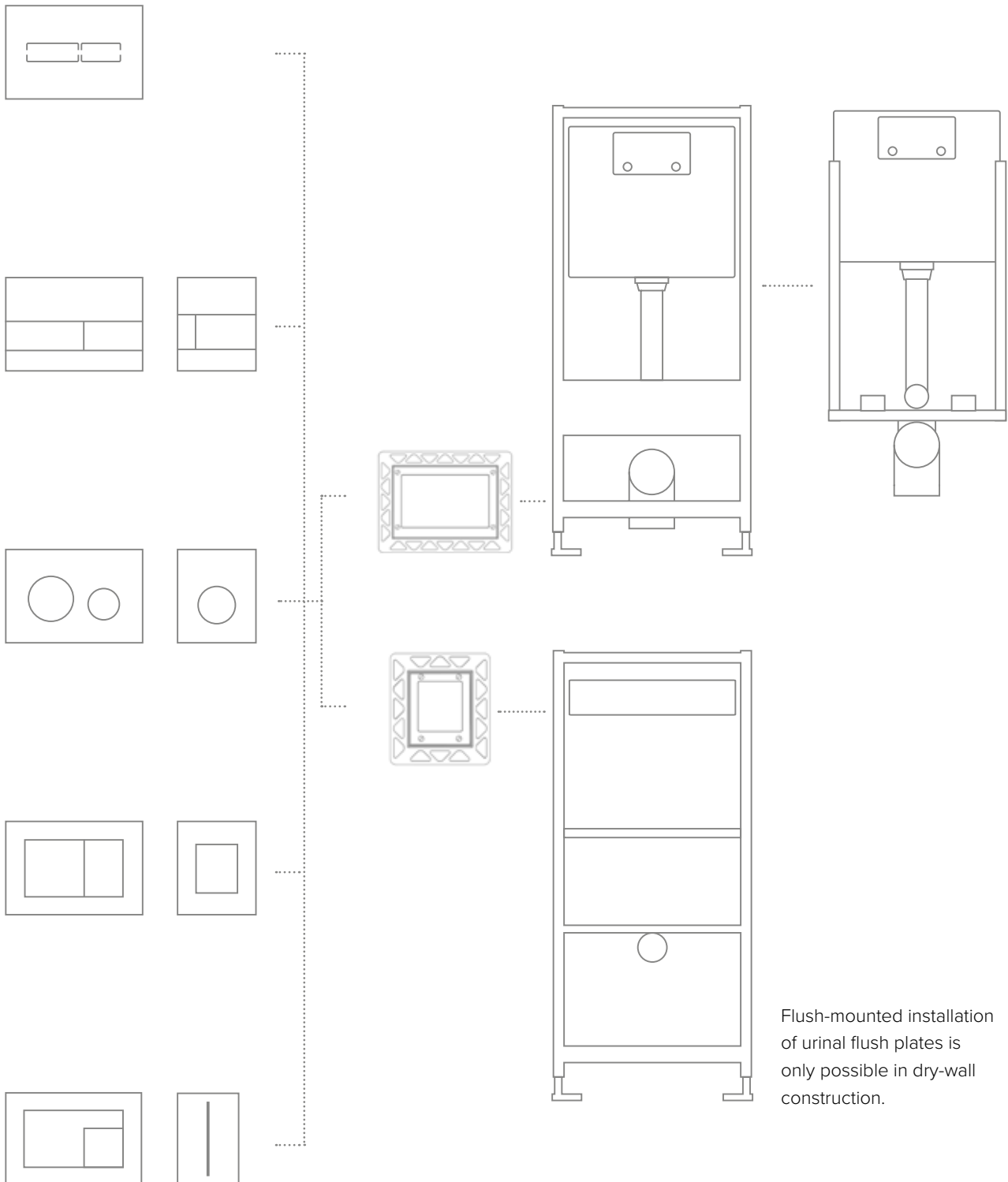
No touch also means no direct contact with bacteria. But we're also taking the fight to bacteria with the classic button actuation: with easy-to-clean surfaces and material that actively limit the bacterial load on the surface.



Advantage of antibacterial: the growth of germs on the surface is effectively inhibited by silver ions.

FLUSH-MOUNTED INSTALLATION.

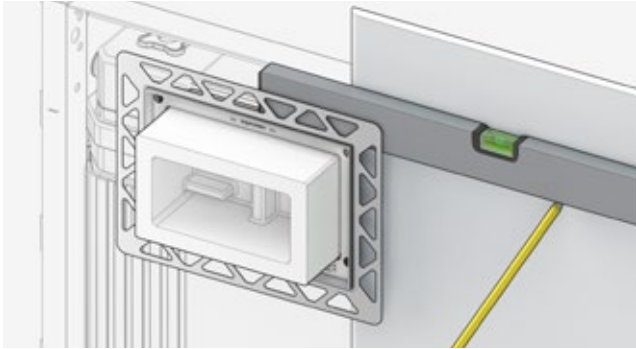
TECElux Mini, TECEloop glass, TECEsquare glass, TECEnow, TECEvelvet and TECEfilo. Thanks to the simple modular system, the elegant flush actuation is quick and easy to mount on the wall.



GET TO IT.

Dry-wall construction

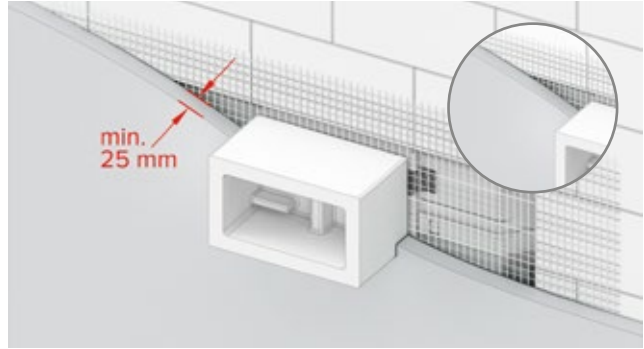
Dry-wall construction requires a TECE dry-wall module and the installation frame. Dry-wall modules of all installation heights can be combined with the flush-mounted installation frame.



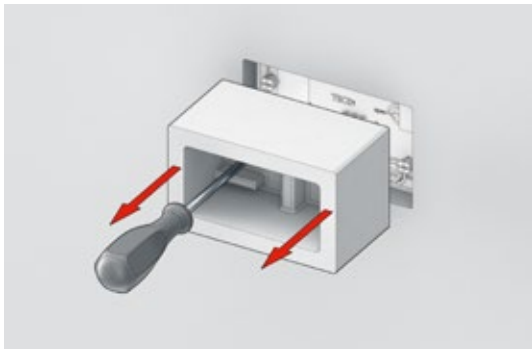
To recess the plasterboard for the cistern inspection opening, the installation frame is fitted onto the polystyrene bare-wall protection. The measurements of the internal installation frame are used to cut the plasterboard panel.

Brick-wall construction

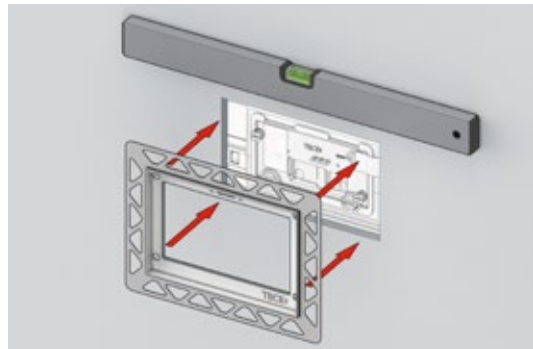
For brick-wall construction, a TECEbox brick-wall module as well as larger bare-wall protection are required. Modules of all installation heights can be used in brick-wall construction too.



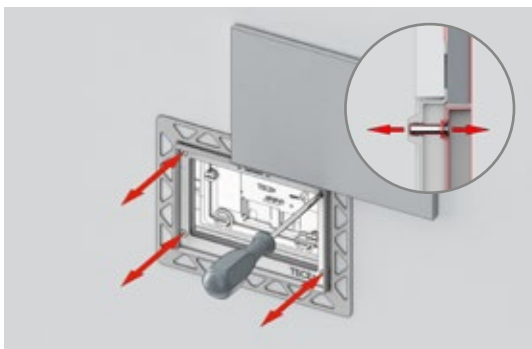
For flush-mounted assembly in brick-wall construction, the standard cistern bare-wall protection is exchanged for the brick-wall bare-wall protection system. After grouting on a suitable base (expanded metal, reinforcement fabrics or similar), the brick-wall bare-wall protection system can be disassembled again.



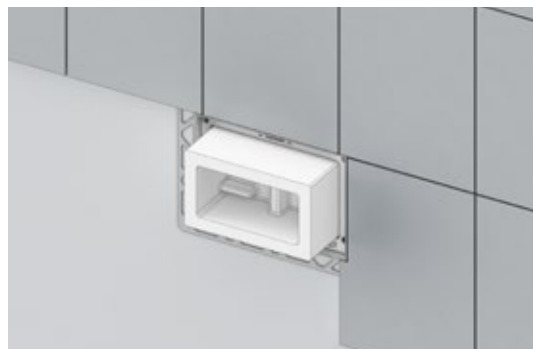
After grouting (brick-wall construction) or attachment of the plasterboard panel (dry-wall construction), the respective bare-wall protection is removed.



The installation frame including support frame is fixed to the grout or plasterboard panel using the factory fitted adhesive points.



The depth of the installation frame can be set according to the tile thickness (5-18 mm). An additional upgrade set is available for heavier wall mounting (up to 33 mm).



For tiling, the standard polystyrene bare-wall protection is placed on the installation frame. It can be removed again after tiling.

SANITARY TECHNOLOGY IN A SYSTEM

TECElux

The toilet terminal

Open for the future

Once installed, the function of the flushing technology and toilet is usually set for the next 25 to 30 years.

But what if you want the ceramics set higher when you get older? Or you want the toilet to offer greater comfort – for example as a toilet with shower function? How can you retrofit a shower toilet even years later when you don't know today where the connections for water and power are located?

The simple answer: TECElux.

Because as a future-facing interface, the toilet terminal today already incorporates all the facilities behind the wall that the toilet will need in the future – and as a modular system it provides the maximum room for decision-making. And does it so beautifully that its design has even impressed juries and users. With TECElux, high-tech behind the wall becomes a highlight on the wall – in every bathroom.



MUCH MORE THAN A SIMPLE FLUSH PLATE.

Press and flush belongs to yesterday. The toilet of today can do so much more. That's why TECE has developed a new dimension of toilet architecture: the toilet terminal.



- 1** Height-adjustable seats: the seat height can also be adjusted in retrospect in a few moves – by up to 8 cm.
- 2** Upper glass facing with two options: flush actuation manually with push buttons or electronically with touch-free sensor fields.
- 3** Insert chute for cleaning tablets for the cistern.
- 4** Ceramic odour filter – can also be retrofitted.
- 5** TECE cistern with proven dual-flush technology.
- 6** Lower glass facing for connecting all conventional wall-mounted toilets – including rimless toilets and shower toilets.



Open to many options

The toilet terminal is an open interface to functions and design. It can be combined with practically all ceramic toilets – including rimless toilets and shower toilets.

What's special about this: connections for water and power are prepared, all cables and water lines can thus be routed invisibly. Or you can combine the TECElux with the TECEone – the toilet with shower function that does away with electricity.



Help in the dark: the night light function

The glowing button silhouettes function as orientation guides at night. These are activated by the individually adjustable approach sensor.



Future-proof in a new dimension

TECElux is an intelligent toilet terminal that not only thinks but grows with you too. This is because with its various upgradable modules, it already provides everything behind the wall that toilet functions require today and tomorrow from the point of initial installation. And provides maximum room for decision-making in front of the wall. Whether from the conventional to the shower toilet, from the button pad to sensor actuation or retrospective upgrade with a fan filter system: TECElux is ready. Are you ready too?

By the way: TECElux combines technology and design so beautifully and intelligently that it has already received multiple awards for it.

Product Highlights

- Easily accessible system parts concealed behind the wall
- Glass facing fits harmoniously into the bathroom ambience
- Can be combined with almost all toilets and shower toilets
- With manual or electronic flush actuation
- Available in different versions
- Future-proof thanks to continuously height-adjustable seats
- Odour filter for pleasant room air
- Electronic flush actuation with programmable functions



THE COMFORT PLUS FOR EVERY TOILET.

A small revolution is taking place in terms of design, functionality and comfort: TECElux individually optimises user comfort – and independent of the toilet ceramics.



Flushing with the sensor

TECElux offers two actuation variants: classic mechanical flush buttons or an electronic flush actuation that detects when a person is approaching the toilet, and only illuminates the flush buttons then. The electronic flush can be actuated by pressing a button or through touch-free sensors. Pure hygiene and ease of cleaning: the sensor version is integrated into a seamless glass facing.



An end to bad odours

The TECElux ceramic odour filter removes odours where they occur: directly in the toilet. The impure air is extracted, the odorants are removed by a ceramic filter and the air is fed back into the room. There are no draughts and no loss of heat because cold outside air is not used. The filter has a long life and only has to be replaced approximately every five years.



Suitable for all

Always the right seat height: TECElux makes it possible to retrospectively adjust the seat height by 8 cm – continuously and without having to remove the ceramics. The glass facing simply moves with the ceramics.



Individual setting

The fine settings of all technical functions, too, can be finely adjusted to the user, from the ventilation duration to the display brightness. Special comfort functions such as hygiene and safety flushes can also be individually added and programmed.

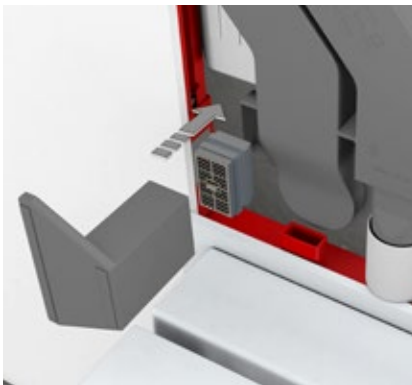
STAY FLEXIBLE.

Intelligent technology is well hidden with TECElux.
And nevertheless always within quick reach.



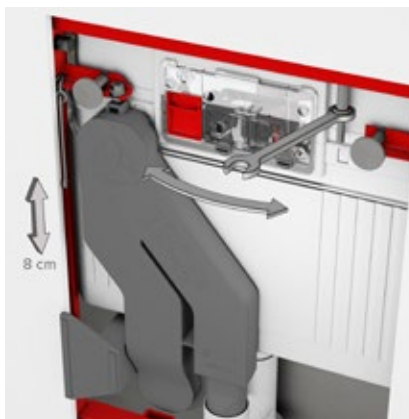
Easily accessible

The upper glass facing is held in place by two magnets and can therefore be opened with ease at any time. This makes the cistern and all functional elements easy to reach at all times.



Simple to exchange

The activated carbon filter of the "ceramic-Air" is easily accessible in the exit opening of the odour trap and can be exchanged when needed.



Quick adjustment

In the case of modules with the "m-Lift" height adjustment, the height is adjusted by means of an easily accessible adjusting screw.



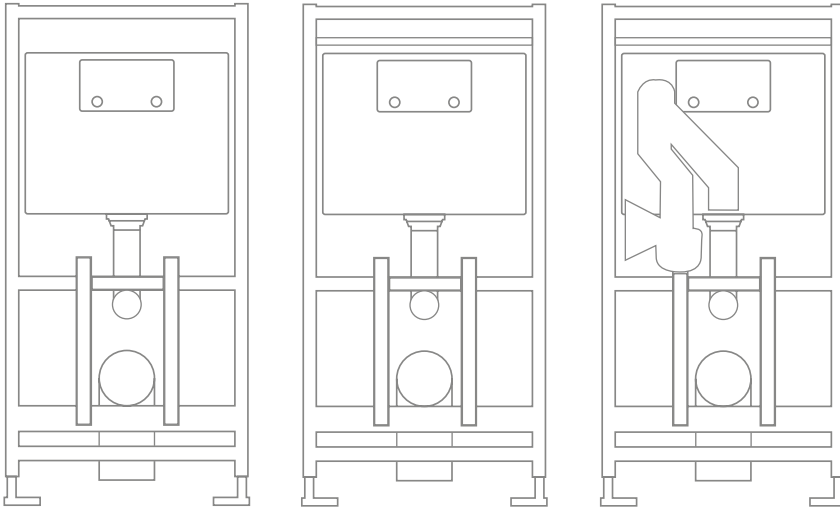
Always fresh

To improve cleanliness and hygiene, every TECElux module is equipped with an insert chute for toilet tablets.

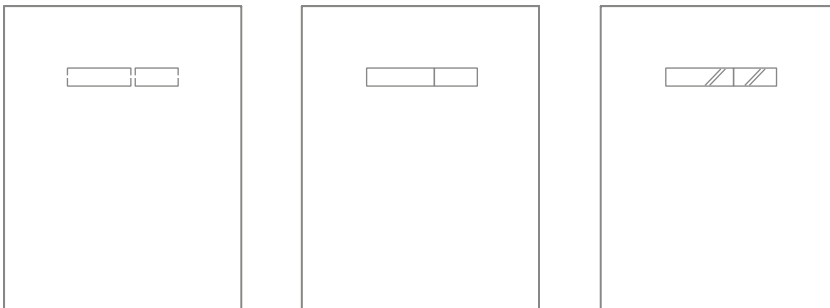
THE TECElux MODULAR SYSTEM.

Three components make up the TECElux system and make the terminal as individual as it is flexible.

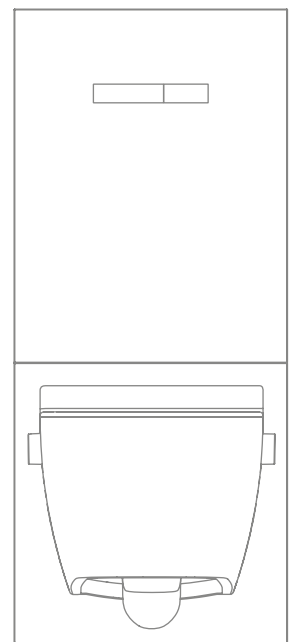
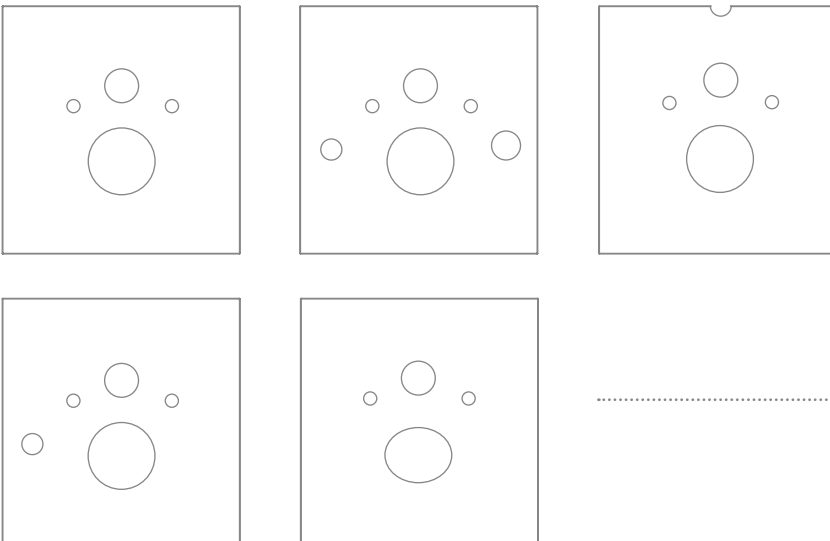
TECElux modules with various furnishings



Upper toilet facings with different flush variants



Lower toilet facings attachment plates for all conventional toilet ceramics



TECElux complete package

A TECElux terminal always consists of a TECElux module, an upper glass facing and a lower toilet attachment plate.

TECElux MODULE – THE FUNCTIONAL CENTRE.

At the core of every TECElux terminal sits one of three TECElux modules that grow with you as required – in technical terms.



TECElux 100

With Uni cistern and dual-flush technology. The flush is actuated mechanically by buttons or electronically via "sen-Touch". The module can be optionally fitted with the "ceramic-Air" air purification system (only in conjunction with the "sen-Touch" upper glass facing).

Optional:



TECElux 200

With Uni cistern, dual-flush technology and manual height adjustment. The flush is actuated mechanically by buttons or electronically via "sen-Touch". The module can be optionally fitted with the "ceramic-Air" air purification system (only in conjunction with the "sen-Touch" upper glass facing).

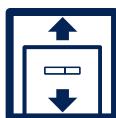


Optional:



TECElux 400

With Uni cistern, dual-flush technology, manual height adjustment and "ceramic-Air" air purification system. The flush is actuated only electronically („sen-Touch“).



BEAUTIFULLY INTELLIGENT.

The upper glass facing with actuation unit.



"sen-Touch" white



White buttons



Chrome buttons



"sen-Touch" black



Black buttons



Chrome buttons

Well solved

TECElux offers two actuation variants: electronic flush actuation via a sensor seamlessly integrated into the glass plate or mechanic flush actuation at the push of a button.




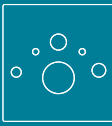
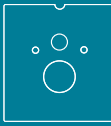
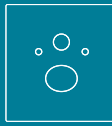
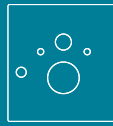
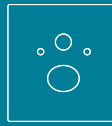
More than just flushing

Behind the touch sensor fields also hides the interface for individual setting of the many comfort functions. The programming is done using the operating instructions with the help of touch fields and acoustic signals.

Programmable functions

Hygiene flush	7 selectable intervals of 24 to 672 hours
Safety flush	When the automatic flush function is activated, an automatic flush is carried out 2 minutes after the last time a person was detected in the recognition range.
Display illumination	A choice of 4 illumination levels Activation in a choice of 2/3/4/5 minutes
Person recognition	Short, very short or standard
Odour extraction	Follow-up duration in a choice of 0/1/2/5 minutes Fan volume at levels "extra quiet", "standard" or "power"

THE TOILET ATTACHMENT PLATES.

						
	9650100 (w) 9650105 (s)	9650101 (w) 9650106 (s)	9650102 (w)	9650103 (w) 9650107 (s)	9650104 (w) 9650108 (s)	9650109 (w) 9650110 (s)
Standard ceramics (connection dimension 180 mm)	X					
TOTO Neorest AC* TOTO Neorest EW*		X				
TOTO Washlet CF TOTO Washlet EK (with side connections: TCF6632G#NW1) TOTO Washlet GL (with side connections: TCF6532G#NW1) TOTO Washlet Giovannoni			X			
TOTO Washlet SG TOTO Washlet EK (with concealed connections: TCF6632C3GV1) TOTO Washlet GL (with concealed connections: TCF6532C3GV1)					X	
Duravit D-Code			X			
Duravit Sensowash Starck Duravit Sensowash Slim				X		
Villeroy & Boch Viclean U			X			
Villeroy & Boch Viclean U+					X	
Villeroy & Boch Viclean L				X		
Geberit AquaClean 8000 Geberit AquaClean 8000 plus		X				
Geberit AquaClean 5000 Geberit AquaClean 5000 plus			X			
Geberit AquaClean Mera Geberit AquaClean Sela Geberit AquaClean Tuma					X	
Vitra V-Care					X	
Grohe Sensia Grohe Sensia Arena					X	
TECEone						X

*TECElux 400 not required, as odour extraction is already included with the TOTO Neorest.
When using the "sen-Touch" upper flush plate, the TOTO remote actuation remains without function.
If using the manual actuation, order control cable (order no. 980259).

(w) = white, glass, (s) = black, glass

SANITARY TECHNOLOGY IN A SYSTEM

TECEone

The perfect toilet family

SIMPLY TECEone.

We've rethought the shower toilet:
With intelligent technology that functions
without electricity.
With a compact design that fits any bathroom.
With well thought out functions for uncompl-
icated installation and intuitive operation.
Simply TECEone!



The new freshness

What does a shower toilet have to be able to do from the user's viewpoint? Really simple: clean well! And integrate just as easily into the bathroom and life in handling and look as a standard toilet. With technology that lasts and is easily understandable to operate – at any age and also for the guest using the shower toilet for the very first time.

That's why we made simplicity the focus of development with the TECEone. The result is a new form of freshness that completely does away with power – and makes it surprisingly easy for the user and the fitter. All details considered but reduced to the essentials: so typical TECE.

INNOVATION MADE BY TECE.

How do you design a toilet with a shower function that is easy to install and can be integrated into any bathroom? Our solution is TECEone.



The toilet with shower function. No power supply.

Complicated electronics, expansive dimensions, a high price – features that didn't previously reflect well on the installation of shower toilets. With TECEone, we're changing the rules of the game: no electricity makes it as simple to install as a shower fitting. TECEone is also intuitive and convenient to operate. And, at the same time, it is so beautiful and compact that it fits in every bathroom.

LESS IS MORE.

TECEone provides hygienic freshness without the need for instructions: it is simple, intuitive and comfortable to use.

- 1 The shower arm extends under water pressure.
The shower nozzle caps come in four versions which differ from each other in terms of intensity and position of the shower spray.
- 2 Temperature controller to set the water temperature up to 38°C
- 3 Volume controller for adjusting the quantity of water as required

1



2



3

71

Purely intuitive

With buttons mounted on the side of the ceramics, you can regulate the water temperature and volume continuously: with a simple turn of the dial. The centrally positioned shower arm is activated and extended by the water pressure alone. Various nozzle caps can be ordered to individually adjust the angle and volume of the water jet.

Testing TECEone

On behalf of the specialist magazine SBZ, the University of Esslingen carried out practical testing of ten shower toilets. TECEone was the only shower toilet without a power connection and it achieved top marks in nearly all categories. Most notably, TECEone impressed with an incredibly clean performance thanks to the cleaning effect of the nozzles and the self-cleaning shower arm. An important advantage: the particularly intense water volume flow that is achieved without the need for a boiler and water heaters. A clear point for the power-free shower toilet.

TECEone impresses:
Watch the product film at
www.tece.com or on the
TECE YouTube-Channel.



CLEAN IN EVERY WAY.

TECEone offers hygienic cleanliness not only for the private area, but for the toilet too. Thanks to the self-cleaning shower arm and easy to clean ceramics.

Appreciable comfort

Naturally, TECEone meets the most important standards of comfort for modern sanitary technology: with its ergonomically designed, wiggle-free toilet seat and soft close drop function, for example.

1



2



3



4

Fresh every time

Thanks to the rimless design, TECEone is especially easy to clean. The shower arm even cleans itself: through fully automatic rinsing before and after each use. Another advantage: during the pre-rinse the cooled water in the pipe can be flushed out.

- 1 Self-cleaning of the shower arm
- 2 Ergonomic toilet seat
- 3 Shower nozzle in action
- 4 Rimless ceramic

ONE DESIGN. THREE LEVELS OF PURE JOY.

TECE is continuing to develop its TECEone product range and giving the successful shower toilet a twin – without shower function. The shower-toilet goes visually with the normal toilet and vice versa. Other advantages such as the time-saving installation are common to both versions.



The cross-series design language of the TECEone models with and without shower function has advantages for the planner and is aimed at customers who want everything from a single source: the toilets in the bathrooms and toilet rooms of apartments or entire buildings can now be uniformly planned, enabling different utilisation scenarios and equipment variants to be realised; for example, TECEone with bidet function in the family bathroom and the basic variant in the guest toilet.



with shower function warm/cold



with shower function cold



without shower function

EVERYTHING FOR EASY ASSEMBLY.

With TECEone, high quality meets proven technology and clever product details.

Wall-mounting

The ceramic with covered attachment technology can be pushed on the threaded rods in the wall with no great effort. The nut can then be turned upwards with adjusting screws until the ceramic is pulled tight to the wall.



1 Wedge with setting screws



2 Concealed mounting technology



Quick on the wall: TECEone is supplied in installation-friendly packaging. To attach, TECEone simply slides onto the way in its packaging, saving your back in the process.

The seat attachment

Thanks to new attachment technology with factory pre-fitted and solid cast bolts, the toilet seat can simply be slotted on and removed just as easily if required.



1 Easy exchange of the volume cartridge

2 Easy exchange of the shower arm

3 Easy exchange of the thermostat cartridge

Maintenance

No electricity means: no heating elements, no instantaneous heater, no delicate electronics – and less stress. The cartridges can be removed without taking the toilet from the wall. The shower arm and shower nozzle cap can also be very easily replaced.

To see how easy it is to install TECEone, go to www.tece.com/teceone.



GET TO KNOW US BETTER.

TECE provides expertise in further areas of competence. Visit www.tece.com where you can find detailed information about the company, products and services.



Installation & Assembly

Straightforward, stress-free work. In this brochure, professional tradesmen can discover more about well-thought-out products, quality, services and the TECE Academy.



Design & Creation

Freedom in design. The themes of Space & Architecture, Individuality & Design and Function & Technology are aimed primarily at architects and bathroom planners.



Project & Planning

Reliability in terms of time, legal aspects and economic efficiency. This brochure is intended for planners, architects and investors.

You can find further information at
www.tece.com/en/sanitary-products-and-systems

TECE GmbH
International business
T +49 25 72 / 9 28-999
international-business@tece.de
www.tece.com