

TECEdrainline – Measurement sheet custom channels

Building project _____

TECE GmbH
International Business
Hollefeldstraße 57
48282 Emsdetten (Germany)
Email: international-business@tece.de

Object description

Offer number _____

Name _____

Street/Town _____

Delivery deadline _____ (about 4-6 weeks after technical release by customer)

TECE field service/Agent _____

Participants

Building client _____

Contact _____

Street/Town _____

Phone/Fax. _____

Planner _____

Contact _____

Street/Town _____

Phone/Fax. _____

Fitter _____

Contact _____

Street/Town _____

Phone/Fax. _____

Wholesaler _____

Contact _____

Street/Town _____

Phone/Fax. _____

Order No. _____

Please return or release as soon as possible!

With the delivery of the signed measurement sheet, acceptance of the TECEdrainline special channel is mandatory. No processing is possible without specifying the building project, offer number and exact address of the installer or wholesale.

TECEdrainline – Measurement sheet custom channels

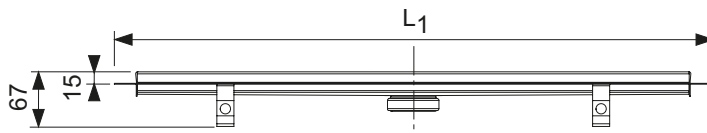
Building project _____

Standard values are used for all non-indicated values.

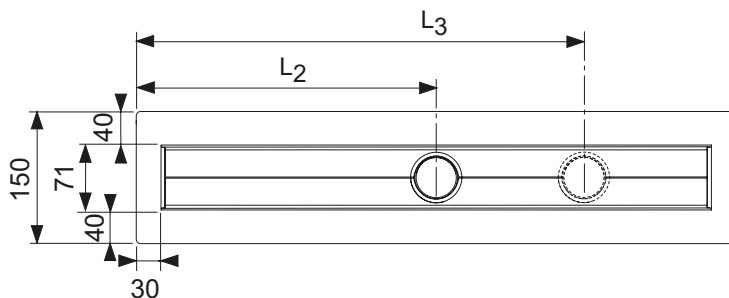
The maximum channel length (L_1 , L_4 , L_5) is 1500 mm.

The water channels classes W0-I to W2-I according to DIN 18534 are fulfilled with the special channels.

L_1 = _____ mm



L_2 = _____ mm*
 Centre drain



L_3^{**} = _____ mm*

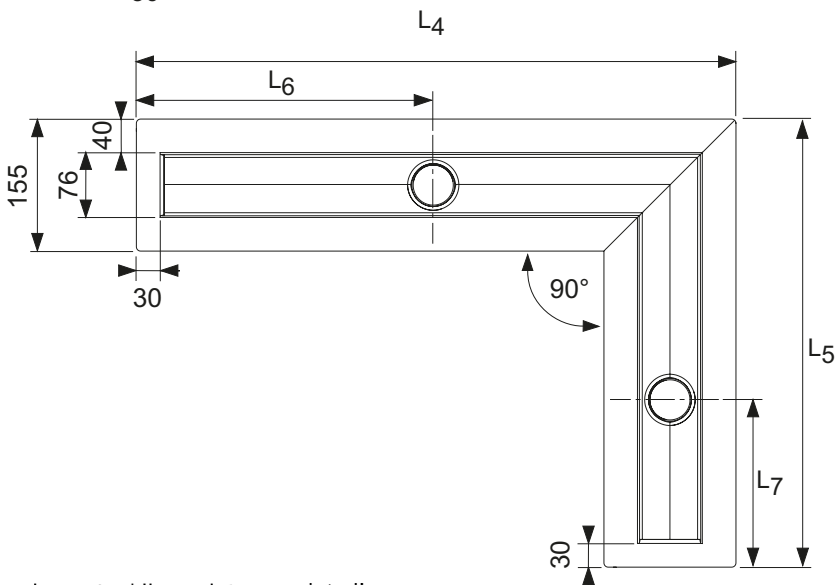
* max. distance between outer edge of channel and drain = 750 mm

** only second drain

L_4 = _____ mm*

L_5 = _____ mm*

L_6 = _____ mm*
 Centre drain



L_7 = _____ mm*
 Centre drain

* max. distance between outer edge of channel and drain = 750 mm

basic	lines	drops	royal	quadratum	organic	steel II	plate	plate II	
<input type="checkbox"/>	<input type="checkbox"/>	<input type="checkbox"/>	<input type="checkbox"/>	<input type="checkbox"/>	<input type="checkbox"/>	<input type="checkbox"/>	<input type="checkbox"/>	<input type="checkbox"/>	polished
<input type="checkbox"/>	<input type="checkbox"/>	<input type="checkbox"/>	<input type="checkbox"/>	<input type="checkbox"/>	<input type="checkbox"/>	<input type="checkbox"/>	<input type="checkbox"/>	<input type="checkbox"/>	brushed

Please select drains and accessories and order separately.

Approval _____

Date, signature _____