

	Page
Sanitary Systems	
TECE-sanitary ceramics	5
TECEone	9
WC ceramics	23
TECElux – The toilet terminal	29
TECE flush plates – The collection for toilet and urinal	47
Toilet flush plate	51
Urinal flush plate	87
TECE sanitary modules – Always the right solution	113
TECEprofil – Dry-wall modules	117
TECEconstruct – Modules	183
TECEbox – Brick-wall modules	197
Plumbing Framework	
TECEprofil – Quick pre-wall installation with just three components	233
Drainage Systems	
TECEdrainprofile – Beautiful, practical, recessed. The shower profile from TECE.	257
TECEdrainline – The floor-level shower with a system	271
TECEshowerline	295
TECEdrainpoint S – Drain range made of plastic	305
Annex	
Exhibition samples	333
Article quick search	347
Assortment changes	360



Sanitary Systems

SANITARY CERAMICS

ASSORTMENT LIST 2021

	Page
TECEone	9
WC ceramics	23

TECE 

Sanitary Systems

TECEone

ASSORTMENT LIST 2021

	Page
Toilet with shower function	12
Wall-hung toilet	14
Accessories	15
Spare parts	18

TECEone – Toilet with shower function

TECEone toilet ceramics with shower function

Rimless toilet ceramic with integrated shower function to clean bottoms comfortably with water. Shower function operates without electricity using warm and cold water connections installed on site. Wall-mounted toilet ceramic.

Shower function features:

- Intuitively control the water temperature and quantity using the integrated rotary selector switches
- Continuously adjust the amount of water up to 5.6 litre/min.
- Water temperature individually, continuously adjustable (10-38 °C)
- Self-cleaning shower nozzles
- Replaceable shower nozzle caps
- In accordance with EN 1717
- Minimum flow pressure 1 bar (max. 10 bar)

Toilet ceramic features:

- Wall-mounted toilet pan for 6 and 4,5 litre flush volume
- Compact design - depth from the wall 540 mm, mounting area 180 mm
- Concealed wall mounting and concealed water connections
- Rimless ceramic bowl with integrated splash guard
- Pre-assembled secure toilet seat attachment for TECEone toilet seat with lid
- Material: White toilet ceramic
- Optimal hygienic ceramic design with fewer corners, edges and joins
- In accordance with EN 997
- Dimensions (W x H x D): 358 x 350 x 540 mm

Scope of supply:

- Toilet ceramic including concealed toilet fastening
- Pre-assembled fastening for toilet seat
- Pre-assembled control buttons
- Reinforced hoses for the water connections at the standard corner valves

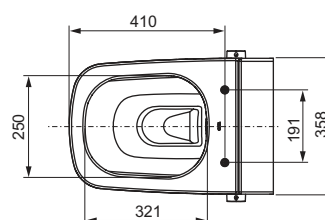
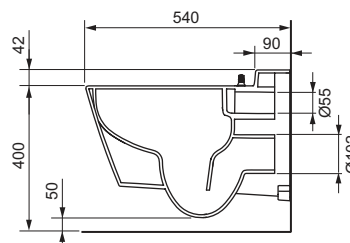
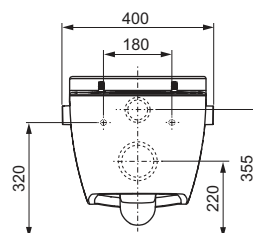
Please order separately:

- TECEone toilet seat with lid (Order No. 9700600)

Note:

A warm and cold water connection with corner valves must be installed on site for the shower function (see upgrade sets).

In combination with TECElux the lower attachment glass facing has to be selected (Order No. 9650109 or 9650110).



Order No.	DU 1	DU 2	DU 3
9700200	1 pc.	4 pc.	8 pc.

TECEone toilet ceramics with shower function, cold water

NEW

Rimless toilet ceramics with integrated shower function to clean bottoms comfortably with water. Shower function uses the building's cold water connection, and thus requires no electricity. Wall-mounted toilet ceramic.

Shower function features:

- Intuitively control the quantity of water using the integrated rotary selector switch
- Continuously adjust the amount of water up to 5.6 litre/min.
- Self-cleaning shower nozzles
- Replaceable shower nozzle caps
- In accordance with EN 1717
- Minimum flow pressure 1 bar (max. 10 bar)

Toilet ceramic features:

- wall-mounted washdown toilet pan for 6 and 4.5 litre flush volume
- Compact design - depth from the wall 540 mm, mounting area 180 mm
- Concealed wall mounting and concealed water connections
- Rimless ceramic bowl with integrated splash guard
- Pre-assembled secure toilet seat attachment for TECEone toilet seat with lid
- Material: White toilet ceramics
- Optimal hygienic ceramic design with few corners, edges, and joints
- Approved according to EN 997
- Dimensions (W x H x D): 358 x 350 x 540 mm

Scope of supply:

- Toilet ceramic including concealed toilet fastening
- Pre-assembled fastening for toilet seat
- Pre-assembled control button
- Reinforced hose for the water connection at the standard corner valve

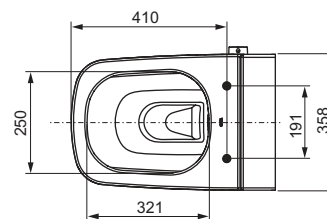
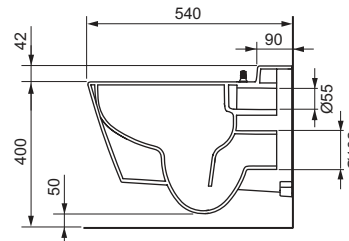
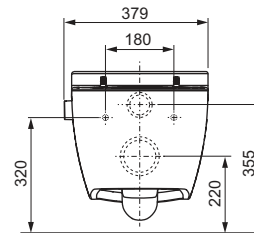
Please order separately:

- TECEone toilet seat with lid (Order No. 9700600)

Note:

A cold water connection with corner valve must be installed on site for the shower function (see upgrade sets).

In combination with TECElux the lower attachment glass facing has to be selected (Order No. 9650109 or 9650110).



Order No.		DU 1	DU 2	DU 3
9700201	NEW	1 pc.	4 pc.	8 pc.

TECEone - Wall-hung toilet

TECEone toilet ceramics

Rimless, wall-mounted toilet ceramics without shower function.

Toilet ceramic features:

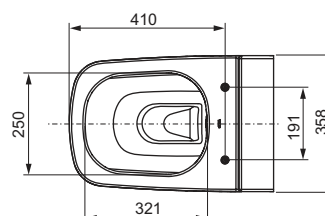
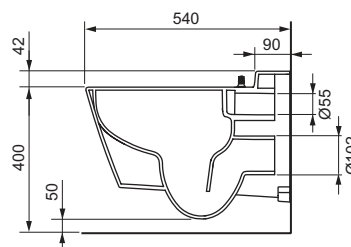
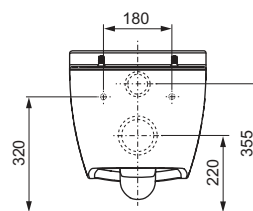
- Wall-mounted toilet ceramic for 6 and 4.5 litre flushing volumes, washdown type
- Rimless ceramics with integrated splash guard
- Compact construction form - outreach 540 mm
- Concealed wall fixing, fixing centres 180 mm
- Material: White sanitary ceramics
- Pre-assembled secure toilet seat attachment for TECEone toilet seat with lid
- In accordance with EN 997
- Dimensions (W x H x D): 358 x 350 x 540 mm

Scope of supply:

- Toilet ceramics including concealed toilet fastening
- Pre-assembled toilet seat attachment

Please order separately:

- TECEone toilet seat with lid (Order No. 9700600)



Order No.	DU 1	DU 2
9700204	1 pc.	6 pc.

TECEone toilet seat with lid

Toilet seat with lid, fits TECEone toilet ceramics.

Toilet seat features:

- Chrome-plated metal hinges with an automatic soft-close function
- made of white, torsion-resistant Duroplast
- to securely attach the solid cast and pre-fitted TECEone toilet seat
- The seat and lid unit can be fully removed when cleaning
- Screw-fastened lid and seat unit
- Toilet seat ergonomically designed
- In accordance with DIN 19516



Order No.	DU 1	DU 2
9700600	1 pc.	4 pc.

TECEone upgrade set for brick-wall, for cisterns with inst. depth up to 8.5 cm

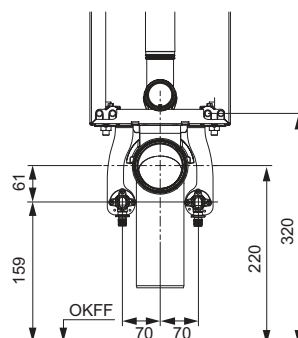
Sound-insulated shell set for pre-installation of brick-wall mounted cistern with installation depth up to 8.5 cm for the TECEone water connection.

Shell set consisting of:

- Holding plates for hot and cold water connections
- Sound-proofing elements for wall disks
- Attachment screws for wall disks



Order No.	DU 1
9880048	1 pc.

**TECEone upgrade set for brick-wall, for cisterns with inst. depth 13 cm**

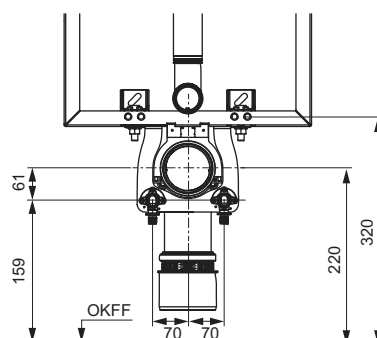
Sound-insulated shell set for pre-installation of brick-wall modules with installation depth 13 cm for the TECEone.

Shell set consisting of:

- Holding plate for hot and cold water connections
- Sound-proofing elements for wall disks
- Attachment screws for wall disks
- Mounting materials



Order No.	DU 1
9880047	1 pc.



TECEone – Accessories

TECEone upgrade set for dry-wall

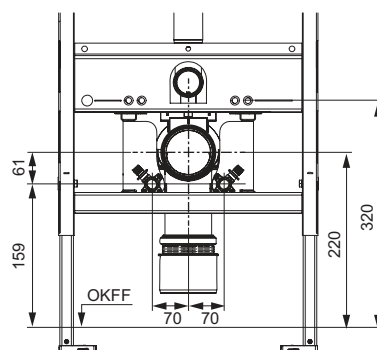
Sound-insulated shell set for pre-installation of dry-wall modules (installation depth minimum 15 cm) for the TECEone.

Shell set consisting of:

- Holding plates for hot and cold water connections
- Sound-proofing elements for wall disks
- Attachment screws for wall disks
- Safety pins for holding plates



Order No.	DU 1
9880046	1 pc.



TECEone upgrade set for TECEconstruct toilet module with Octa cistern, 8 cm

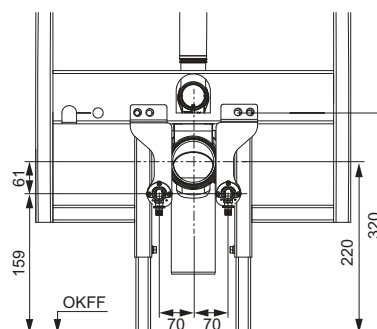
Sound-insulated shell set for pre-mounting the TECEconstruct toilet module with Octa cistern, 8 cm, for the TECEone water connection.

Shell set consisting of:

- Holding plates for hot and cold water connection
- Sound protection elements for wall disks
- Attachment screws for wall disks
- Two M 12 x 20 screws incl. spacer sleeves



Order No.	DU 1	DU 2	DU 3
9880056	1 pc.	10 pc.	60 pc.



TECEone corner valves

Two chromed corner valves (1/2" x 3/8") including rosettes.

Order No.	DU 1
9820464	1 set



TECEone wall disks made of red brass/silicon bronze

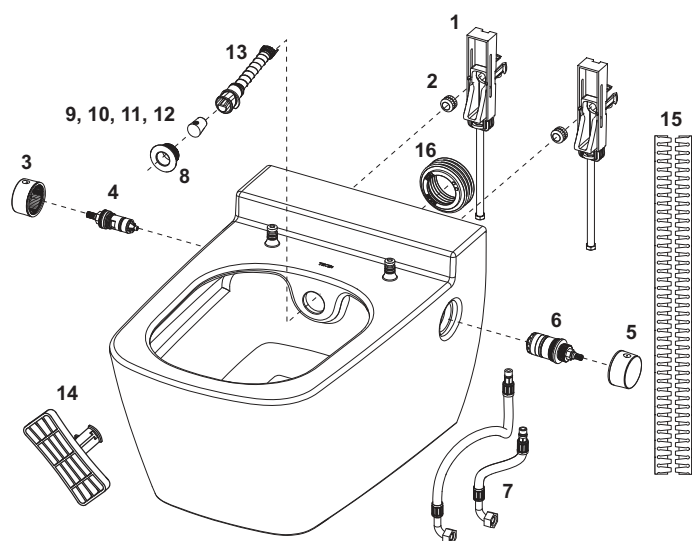
Two wall disks 1/2" x 1/2" female thread. For optional combination with the TECEone upgrade set as universal connection with conventional piping systems.



Order No.	DU 1	DU 2
9021032	1 pc.	35 pc.

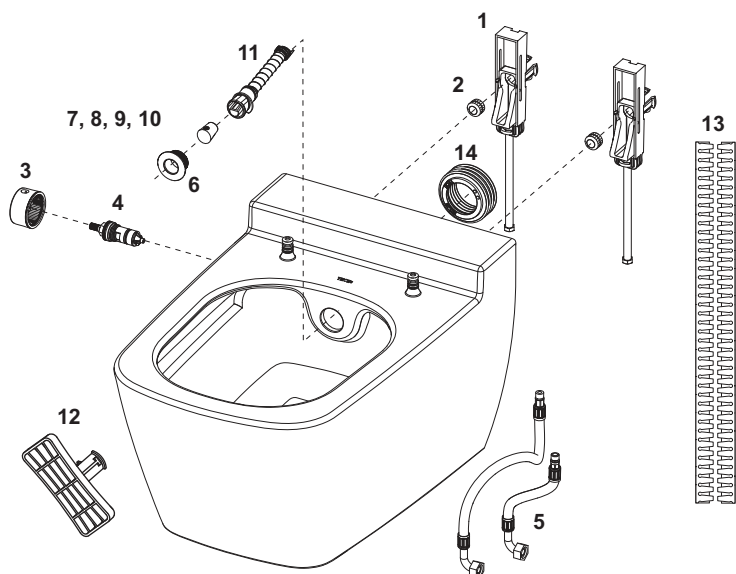
TECEone – Spare parts

9700200 – TECEone toilet ceramics with shower function



Pos.	Order No.	Designation	DU 1
1	9820356	Concealed mounting	1 pc.
2	9820357	Knurled nut (2 x) for concealed mounting	1 pc.
3	9820362	Operating knob water volume	1 pc.
4	9820469	Ceramic cartridge including EN 1717 safeguard	1 pc.
5	9820361	Operating knob temperature	1 pc.
6	9820360	Thermostatic cartridge	1 pc.
7	9820471	Reinforced hoses (from 2021)	1 pc.
	9820365	Reinforced hoses hot and cold (until 2020)	1 pc.
8	9820364	Rosette	1 pc.
9	9820403	Shower nozzle cap (3 x) "standard" 75°	1 pc.
10	9820404	Shower nozzle cap (3 x) "standard" 90°	1 pc.
11	9820405	Shower nozzle cap (3 x) "medium" 90°	1 pc.
12	9820406	Shower nozzle cap (3 x) "small" 90°	1 pc.
13	9820363	Shower arm complete set	1 pc.
14	9820422	Removal tool shower arm	1 pc.
15	9820351	Sound insulation tape	1 pc.
16	9820484	Seal for TECEone flush pipe connection	NEW 1 pc.

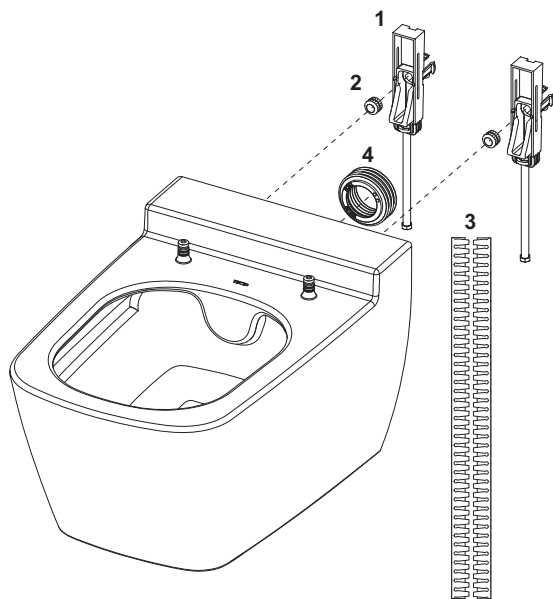
9700201 – TECEone toilet ceramics with shower function, cold water



Pos.	Order No.	Designation	DU 1
1	9820356	Concealed mounting	1 pc.
2	9820357	Knurled nut (2 x) for concealed mounting	1 pc.
3	9820362	Operating knob water volume	1 pc.
4	9820469	Ceramic cartridge including EN 1717 safeguard	1 pc.
5	9820471	Reinforced hoses (from 2021)	1 pc.
6	9820364	Rosette	1 pc.
7	9820403	Shower nozzle cap (3 x) "standard" 75°	1 pc.
8	9820404	Shower nozzle cap (3 x) "standard" 90°	1 pc.
9	9820405	Shower nozzle cap (3 x) "medium" 90°	1 pc.
10	9820406	Shower nozzle cap (3 x) "small" 90°	1 pc.
11	9820363	Shower arm complete set	1 pc.
12	9820422	Removal tool shower arm	1 pc.
13	9820351	Sound insulation tape	1 pc.
14	9820484	Seal for TECEone flush pipe connection	NEW 1 pc.

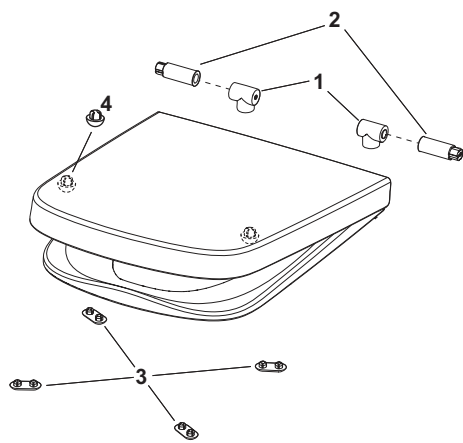
TECEone – Spare parts

9700204 – TECEone toilet ceramics



Pos.	Order No.	Designation	DU 1
1	9820356	Concealed mounting	1 pc.
2	9820357	Knurled nut (2 x) for concealed mounting	1 pc.
3	9820351	Sound insulation tape	1 pc.
4	9820484	Seal for TECEone flush pipe connection	NEW 1 pc.

9700600 – TECEone toilet seat with lid



Pos.	Order No.	Designation	DU 1
1	9820367	Fittings set	1 pc.
2	9820366	Damper set for seat and lid	1 pc.
3	9820423	Toilet seat bearing pad (4 pieces)	1 pc.
4	9820465	Lid bearing pad	1 pc.

TECEone shower arm complete set

Shower arm including removal tool, shower arm head ("standard" 75°) and rosette.

**Order No.**

9820363

DU 1

1 pc.



Sanitary Systems

WC CERAMICS

ASSORTMENT LIST 2021

	Page
Wall-hung toilet	26
Accessories	27

WC ceramics – Wall-hung toilet

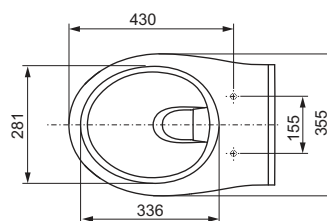
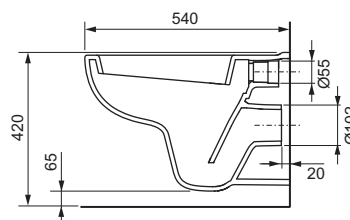
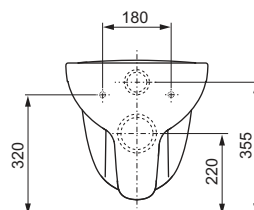
TECE wall-hung toilet ceramic, washdown type

Wall-mounted toilet ceramic, washdown type.

Toilet ceramic features:

- Wall-hung, washdown toilet
- Compact construction form - depth from the wall 540 mm, mounting area 180 mm
- Material: White toilet ceramics
- Flush volumes 3/4.5/6-litre
- 6.5 cm floor clearance
- In accordance with EN 997
- Dimensions (W x H x D): 355 x 355 x 540 mm

Colour	Order No.	DU 1	DU 2
White	9700004	1 pc.	12 pc.



TECE sanitary ceramics toilet seat with lid

Toilet seat features:

- Chromed metal hinges
- Made of white, torsion-resistant Duroplast
- In accordance with DIN 19516



Colour	Order No.	DU 1
White	9700601	1 pc.

TECE sanitary ceramics toilet seat with lid, "soft-close"

Toilet seat features:

- Chromed metal hinges with an automatic soft-close lowering system
- Made of white, torsion-resistant Duroplast
- In accordance with DIN 19516



Colour	Order No.	DU 1
White	9700602	1 pc.



Sanitary Systems

**TECElux
TOILET
TERMINAL**

ASSORTMENT LIST 2021

	Page
Product range overview	32
Toilet modules	34
Glass facings	37
Accessories	40
Spare parts	42

An overview of valid Declaration of Performance (DOP) is available on our website www.tece.com.

TECElux – Product range overview

How to order correctly:

A TECElux terminal always consists of:

- (A) a TECElux module,
- (B) an upper glass facing and
- (C) a lower glass facing with notches for different power and water connections.

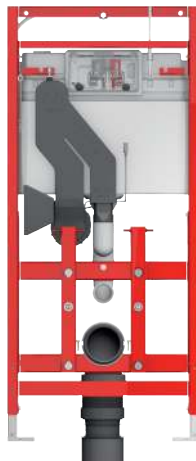
A TECElux module



TECElux 100
Order No. 9600100



TECElux 200
Order No. 9600200

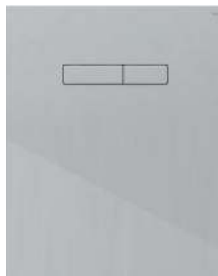


TECElux 400
Order No. 9600400

B Upper glass facing



“sen-Touch” (w)
Order No. 9650002
“sen-Touch” (b)
Order No. 9650003

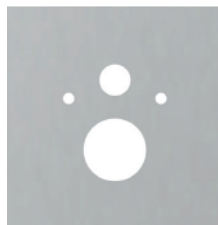


White buttons (w)
Order No. 9650000
Black buttons (b)
Order No. 9650005

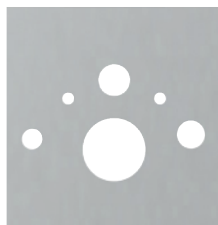


Bright chrome buttons (w)
Order No. 9650001
Bright chrome buttons (b)
Order No. 9650004

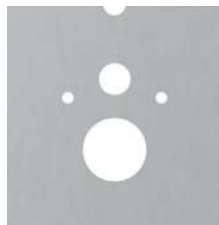
C Lower glass facing



Standard toilet (w)
Order No. 9650100
Standard toilet (b)
Order No. 9650105



Shower toilet (w)
Order No. 9650101
Order No. 9650103
Order No. 9650104
Shower toilet (b)
Order No. 9650106
Order No. 9650107
Order No. 9650108






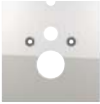

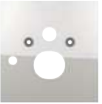

Shower toilet seat (w)
Order No. 9650102



TECElux toilet terminal (w/b)

((w) = glass white, (b) = glass black

C Overview of lower facing and accessories for toilets, shower toilets seats and shower toilets

							
	9650100 (w) 9650105 (b)	9660001	9650101 (w) 9650106 (b)	9650102 (w)	9650103 (w) 9650107 (b)	9650104 (w) 9650108 (b)	9650109 (w) 9650110 (b)
Standard ceramics (connection dimension 180 mm)	X						
TOTO Neorest AC 2.0 * TOTO Neorest EW 2.0 *		X	X				
TOTO Washlet CF TOTO Washlet EK 2.0 (with side connections: TCF6632G#NW1) TOTO Washlet GL 2.0 (with side connections: TCF6532G#NW1) TOTO Washlet Giovannoni		X		X			
TOTO Washlet SG 2.0 TOTO Washlet EK 2.0 (with hidden connections: TCF6632C3GV1) TOTO Washlet GL 2.0 (with hidden connections: TCF6532C3GV1) TOTO Washlet RX **		X				X	
Duravit D-Code		X		X			
Duravit Sensowash Starck Duravit Sensowash Slim					X		
Villeroy & Boch Viclean U		X		X			
Villeroy & Boch Viclean U+		X				X	
Villeroy & Boch Viclean L					X		
Geberit AquaClean 8000 Geberit AquaClean 8000 plus			X				
Geberit AquaClean 5000 Geberit AquaClean 5000 plus				X			
Geberit AquaClean Mera Geberit AquaClean Sela Geberit AquaClean Tuma						X	
Vitra V-Care						X	
Grohe Sensia Grohe Sensia Arena						X	
TECEone							X

* TECElux 400 not required, because odour extraction is already included with TOTO Neorest. If "sen-Touch" upper facing is used, remote actuation of TOTO Neorest does not function. If manual actuation is used, order control cable (Order No. 9820259).

** Not compatible with upper glass facing "sen-Touch"

(w) = glass white, (b) = glass black

TECElux – Toilet modules

TECElux toilet module 100, installation height 1120 mm

Dry-wall construction element for fitting to TECEprofil section tubes or for installation in metal or wooden stud walls and as a pre-wall or corner module.

For TECElux glass facing with actuation unit and glass facing.

Completely pre-assembled unit, consisting of:

TECE flush-mounted cistern:

- Safety tank made of impact resistant plastic
- Cistern fully pre-assembled and sealed
- Corner valve and cistern connection pre-assembled
- Cistern connection with 1/2" female thread
- 10 litre tank volume; 6 litre pre-set standard flush volume; 9/7.5/4.5-litre flush volume setting option at any time; 3-litre partial flush volume with dual-flush system. Remaining volume can be used for immediate cleaning flush.
- Insulated against condensation water
- Tested to EN 14055
- Fitting group 1 to DIN 4109
- Low-noise hydraulic filling valve
- Including insert chute for cleaning tablets. Allows cleaning tablets to be put into the cistern for fresh, clean flushing.

Module:

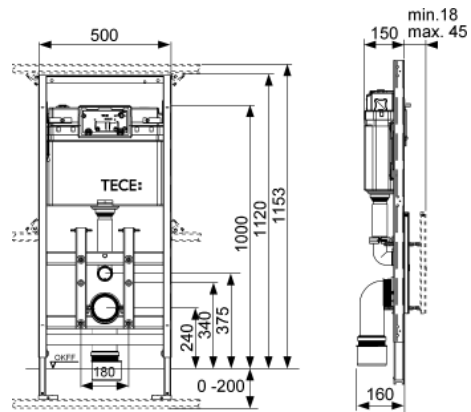
- Self-supporting installation frame with powder-coated surface
- Depth-adjustable retainer for upper glass facing with actuation unit and lower glass facing
- Two adjustable supports for floor constructions between 0-200 mm
- Two M 12 retaining bolts and nuts
- Bracket for toilet ceramics with 180 mm spacing
- Toilet drain bend DN 90 with adapter DN 90/100, made of PP
- Adapter also suitable for horizontal installation
- DN 90 toilet connection set, including protective plugs
- Large bare-wall protection
- Suitable for wall structures up to 45 mm
- Dimensions (H x W x D): 1120 x 500 x 160 mm

Please order separately:

- Upper glass facing with actuation unit
- Lower glass facing with toilet attachment
- Fitting for individual pre-wall, corner or wooden stud structures

Optional accessories:

TECElux "ceramic-Air" odour extraction upgrade set (9660000), only in conjunction with the sen-Touch upper glass facing with actuation unit.



Order No.	DU 1	DU 2	DU 3
9600100	1 pc.	6 pc.	12 pc.

TECElux toilet module 200, installation height 1120 mm with subsequent height adjustment

Dry construction element for attaching to TECEprofil section tubes or to install in metal or wooden stud walls and as pre-wall or corner module.

For TECElux glass facing with actuation unit and glass facing, subsequent 8 cm manual height adjustment option.

Completely pre-assembled unit, consisting of:

TECE flush-mounted cistern:

- Safety tank made of impact-resistant plastic
- Cistern fully pre-assembled and sealed
- Corner valve and cistern connection pre-assembled
- Cistern connection with 1/2" outer thread
- 10 litre tank volume; 6 litre pre-set standard flush volume; option of setting a 9/7.5/4.5-litre flush at any time, 3 litre low-volume flush for dual-flush system. Remaining volume can be used for immediate cleaning flush.
- Insulated against condensation water
- Tested to EN 14055
- Fitting group 1 to DIN 4109
- Low-noise hydraulic filling valve
- Including insert chute for cleaning tablets. Allows cleaning tablets to be put into the cistern for fresh, clean flushing.

Module:

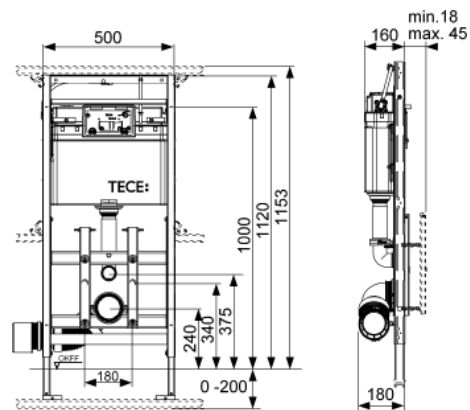
- Self-supporting installation frame with powder-coated surface
- Height-adjustable mount for upper glass facing with actuation unit and lower glass facing, also height adjustable by hand after installation
- Two adjustable foot supports for floor projections of 0-200 mm
- Two M 12 retaining bolts and nuts
- Bracket for toilet ceramics with a 180 mm spacing
- Flexible DN 90 toilet drain bend, connection piece made of PE-HD (can be welded), including DN 90/100 adapter made of PP
- DN 90 toilet connection set, including protective plug
- Large bare-wall protection
- Suitable for wall mountings up to 45 mm
- Dimensions (H x W x D): 1120 x 500 x 180 mm

Please order separately:

- Upper glass facing with actuation unit
- Lower glass facing with toilet attachment
- Fitting for individual pre-wall, corner or wooden stud structures

Optional accessories:

TECElux "ceramic-Air" odour extraction upgrade set (9660000), only in conjunction with the sen-Touch upper glass facing with actuation unit.



Order No.	DU 1	DU 2	DU 3
9600200	1 pc.	6 pc.	12 pc.

TECElux – Toilet modules

TECElux toilet module 400, installation height 1120 mm, subsequent height adjustment, with odour extraction

Dry construction element for attaching to TECEprofil section tubes or to install in metal or wooden stud walls and as pre-wall or corner module.

For TECElux glass facing with actuation unit sen-Touch and glass facing, subsequent 8 cm manual height adjustment option, including "ceramic-Air" odour extraction.

Completely pre-assembled unit, consisting of:

TECE flush-mounted cistern:

- Safety tank made of impact-resistant plastic
- Cistern fully pre-assembled and sealed
- Corner valve and cistern connection pre-assembled
- Cistern connection with 1/2" outer thread
- 10 litre tank volume; 6 litre pre-set standard flush volume; option of setting a 9/7.5/4.5-litre flush at any time, 3 litre low-volume flush for dual-flush system. Remaining volume can be used for immediate cleaning flush.
- Insulated against condensation water
- Tested to EN 14055
- Fitting group 1 to DIN 4109
- Low-noise hydraulic filling valve
- Including insert chute for cleaning tablets. Allows cleaning tablets to be put into the cistern for fresh, clean flushing.

Module:

- Self-supporting installation frame with powder-coated surface
- Height-adjustable mount for upper glass facing with actuation unit and lower glass facing, also height adjustable by hand after installation
- Two adjustable foot supports for floor projections of 0-200 mm
- Two M 12 retaining bolts and nuts
- Bracket for toilet ceramics with a 180 mm spacing
- Flexible DN 90 toilet drain bend, connection piece made of PE-HD (can be welded), including DN 90/100 adapter made of PP
- DN 90 toilet connection set, including protective plug
- Large bare-wall protection
- Suitable for wall mountings up to 45 mm
- Dimensions (H x W x D): 1120 x 500 x 160 mm

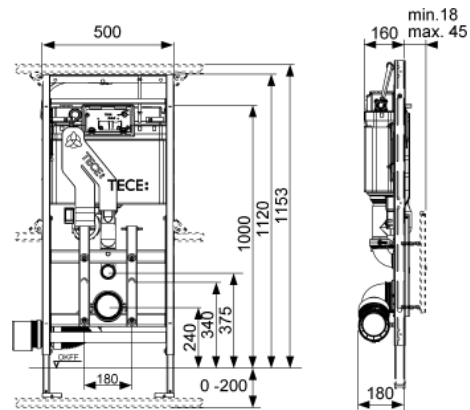
Quiet "ceramic Air" odour extraction system with long-lasting filter cartridge.

Note:

It is possible to install the "ceramic-Air" odour extraction system in all well-known toilet ceramics. However, in some ceramics which have a higher seat position or higher flushing rim, the flushing water remains standing in the flush pipe, resulting in the bowl becoming partially or completely full. The current "Technical information" offers an overview of the affected ceramics in which it is not possible to fit the odour extraction option.

Please order separately:

- sen-Touch upper glass facing with actuation unit
- lower glass facing
- Fitting for individual pre-wall, corner or wooden stud structures



Order No.	DU 1	DU 2	DU 3
9600400	1 pc.	6 pc.	12 pc.

TECElux glass facing with manual actuation unit

Upper glass facing with actuation unit for TECElux module with two-spring mounted flush buttons. Incl. actuation rods and mounting material.

Installation only in conjunction with lower glass facing.

Dimensions (H x W x D): 555 x 430 x 16 mm



Colour	Exhibition samples	Order No.	DU 1	DU 2
White glass, white buttons	Yes	9650000	1 pc.	20 pc.
White glass, bright chrome buttons	Yes	9650001	1 pc.	20 pc.
Black glass, black buttons	—	9650005	1 pc.	20 pc.
Black glass, bright chrome buttons	Yes	9650004	1 pc.	20 pc.

Information on exhibits is available in the section "Exhibition samples".

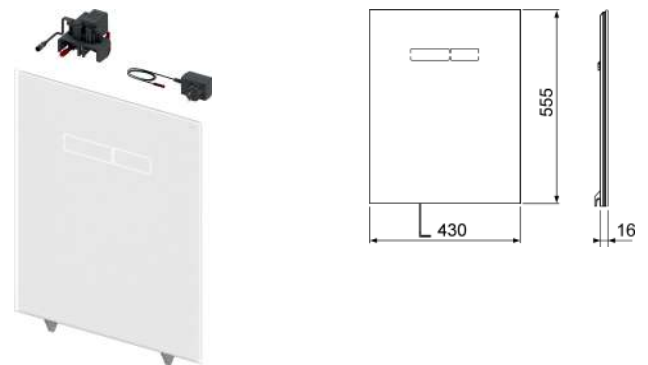
TECElux glass facing with electronic sen-Touch actuation

Upper glass facing with actuation unit for TECElux module with electronic sen-Touch actuation in combination with mounting material.

Incl. plug-in power pack (connection voltage 230 V) with dual-flush actuation motor.

Installation only in conjunction with the lower glass facing with toilet attachment.

Dimensions (H x W x D): 555 x 430 x 16 mm



Function of the sen-Touch electronics:

The sensor detects when a person is approaching the toilet, and only illuminates the flush buttons then. The flush is actuated by a slight touch or without contact. It is possible to programme the sen-Touch electronics to suit your personal preferences.

Programmable functions:

- Sensor recognition range
- Illumination brightness
- Hygiene flush
- Subsequent odour extraction
- Intensity of odour extraction
- Cleaning function

Note:

Not compatible with the TOTO Washlet RX and SX.

Colour	Exhibition samples	Order No.	DU 1	DU 2
White glass	Yes	9650002	1 pc.	10 pc.
Black glass	Yes	9650003	1 pc.	10 pc.

Information on exhibits is available in the section "Exhibition samples".

TECElux – Glass facings

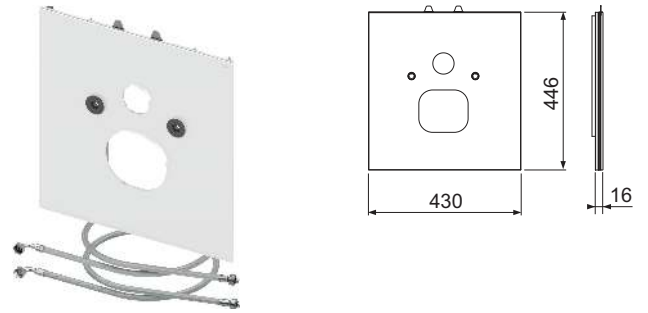
TECElux glass facing for TECEone

Lower glass plate for combination with the TECEone toilet ceramics with shower function, including sound insulation kit and reinforced hoses for hot and cold water connection to conventional angle valves.

Dimensions (H x W x D): 446 x 430 x 16 mm

Note:

For combination with corner valves prepared on site.

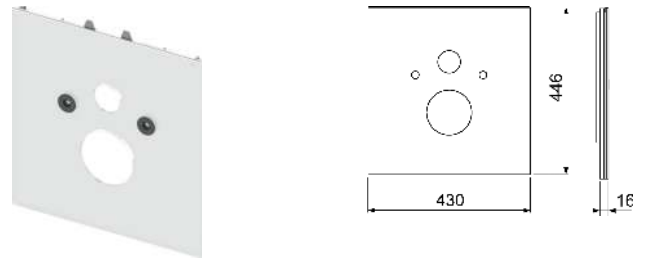


Colour	Exhibition samples	Order No.	DU 1	DU 2
White glass	—	9650109	1 pc.	20 pc.
Black glass	—	9650110	1 pc.	20 pc.

TECElux glass facing for standard toilet

Lower glass facing for combination with toilet ceramics 180 mm spacing, incl. sound insulation set.

Dimensions (H x W x D): 446 x 430 x 16 mm



Colour	Exhibition samples	Order No.	DU 1	DU 2
White glass	Yes	9650100	1 pc.	20 pc.
Black glass	Yes	9650105	1 pc.	20 pc.

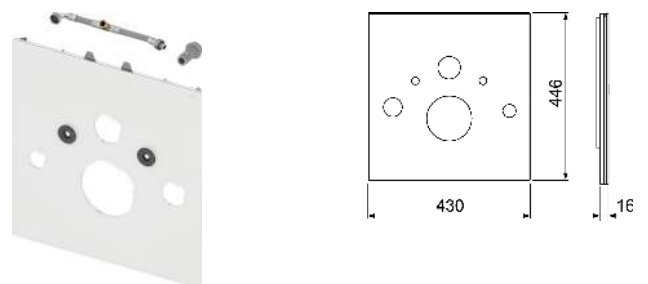
Information on exhibits is available in the section "Exhibition samples".

TECElux glass facing for shower toilet (Toto, Geberit)

Lower glass facing for combination with shower toilet TOTO Neorest AC and EW or Geberit AquaClean 8000/8000plus, including sound insulation set, reinforced exchange hose for the cistern and plastic 3/8" adapter for filling valve F 10.

For assembly of a TOTO shower toilet, please use the shower toilet connection set (9660001).

Dimensions (H x W x D): 446 x 430 x 16 mm

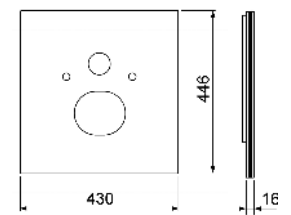


Colour	Exhibition samples	Order No.	DU 1	DU 2
White glass	—	9650101	1 pc.	20 pc.
Black glass	—	9650106	1 pc.	20 pc.

TECElux glass facing for shower toilet (Duravit etc.)

Lower glass facing for combination with shower toilet Duravit SensoWash C as well as Slim or V & B ViClean L, including sound insulation set, long reinforced exchange hose for cistern and 3/8" plastic adapter for filling valve F 10.

Dimensions (W x H x D): 446 x 430 x 16 mm

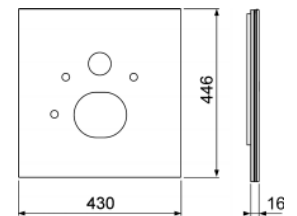


Colour	Exhibition samples	Order No.	DU 1	DU 2
White glass	—	9650103	1 pc.	20 pc.
Black glass	—	9650107	1 pc.	20 pc.

TECElux glass facing for shower toilet (Aquaclean Sela etc.)

Lower glass facing for combination with Geberit Aquaclean Sela shower toilet, Mera and Tuma, Toto Washlet SG, Toto Washlet EK or GL with concealed connections, Grohe Sensia, V & B ViClean U+ or Laufen Riva incl. sound insulation kit and replacement reinforced hose for cistern and 3/8" plastic adapter for filling valve F 10.

Dimensions (H x W x D): 446 x 430 x 16 mm



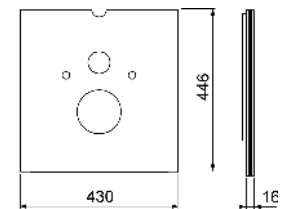
Colour	Exhibition samples	Order No.	DU 1	DU 2
White glass	—	9650104	1 pc.	20 pc.
Black glass	—	9650108	1 pc.	20 pc.

TECElux glass facing for shower toilet seat

Lower toilet glass facing for combination with shower toilet attachment TOTO Washlet GL and EK, Giovannoni Washlet, V & B ViClean U or Geberit Aquaclean 5000 and 5000plus including noise insulation set, reinforced exchange hose for the cistern and 3/8" plastic adapter for filling valve F 10.

For assembly of a TOTO or V & B shower toilet seat, please use the shower toilet connection set (9660001).

Dimensions (H x W x D): 446 x 430 x 16 mm



Colour	Exhibition samples	Order No.	DU 1	DU 2
White glass	Yes	9650102	1 pc.	20 pc.

Information on exhibits is available in the section "Exhibition samples".

TECElux ceramic-Air odour extraction upgrade set

Upgrade set for subsequent installation of ceramic-Air odour extraction for TECElux 100 or TECElux 200 toilet terminals.

Upgrade set consisting of:

- Odour extraction housing incl. fan and air outlet
- Filter cartridge
- Mounting material
- Flush pipe with connection for odour extraction
- Drain valve

Note:

It is possible to install ceramic-Air odour extraction in all well-known toilet ceramics. However, flushing water can remain in the flush pipe in some ceramics with a higher sitting position or rather a higher rim, and it is possible for the ceramic to fill partially or fully. The current "Technical information" offers an overview of the affected ceramics in which it is not possible to fit the odour extraction option.



Order No.	DU 1
9660000	1 pc.

TECElux connection set for shower toilet

Longer reinforced pipe with connection for TOTO Neorest AC and EW, TOTO Washlet GL and EK, TOTO Washlet Giovannoni and V & B viClean U.



Order No.	DU 1
9660001	1 pc.

TECElux connection set for electrical connection

To install a permanent electrical connection for the sen-Touch glass facing in protection area II.

Connection set consisting of:

- Empty socket, protection class IP 44
- Transformer 230/12 V
- sen-Touch power cable



Order No.	DU 1
9660002	1 pc.

TECE filling valve F 10 universal

Universal filling valve for installation in all TECE cisterns as well as almost all standard flush-mounted and wall-mounted cisterns from other manufacturers.

Product details:

- 3/8" metal connection thread
- Flow pressure 0.5-10 bar
- Minimum flow pressure 0.5 bar
- Adjustable fill height
- Adjustable outflow pipe
- Low-noise in accordance with group I (DIN 4109)
- Compact design
- Incl. adapter and attachment nut



Order No.	DU 1	DU 2	DU 3
9820353	1 pc.	10 pc.	240 pc.

TECE throttle set for flushing cisterns with an installation depth of 13 cm

To adapt the flushing pressure of the standard cisterns (installation depth 13 cm). Installation in valve seat of drain valve, diameter 46-28 mm.

Order No.

9820337*

DU 1

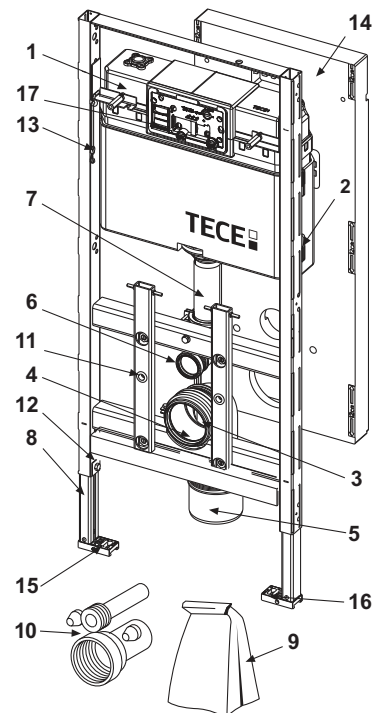
1 pc.



TECElux – Spare parts

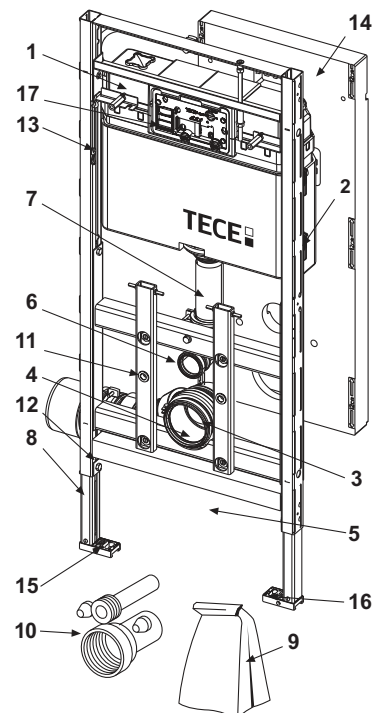
9600100 – TECElux toilet module 100, installation height 1120 mm

Pos.	Order No.	Designation	DU	1
1	9820575	Uni cistern for TECElux modules	NEW	1 pc.
2	9820040	Assembly kit for Uni cistern		1 pc.
3	9820134	Toilet drain bend DN 90 (PP)		1 pc.
4	9820139	Seal for toilet drain bend/adapter		1 pc.
5	9820136	Adapter DN 90/DN 100 (PP)		1 pc.
6	9820015	Flush pipe seal		1 pc.
7	9820011	Flush pipe with O-ring, length 269 mm, dry-wall construction		1 pc.
8	9820335	C-section for module foot		1 pc.
9	9820043	By-pack for toilet module (mounting material, etc.)		1 pc.
10	9820057	Connection set DN 90 for toilet		1 pc.
11	9820071	Clinch nut		1 pc.
12	9820447	Foot brake with steel spring		1 pc.
13	9820329	Securing cable		1 pc.
14	9820330	Bare-wall protection		1 pc.
15	9820332	Module foot with toggle left		1 pc.
16	9820333	Module foot with toggle right		1 pc.
17	9240950*	Insert chute for cleaning tablets		1 pc.



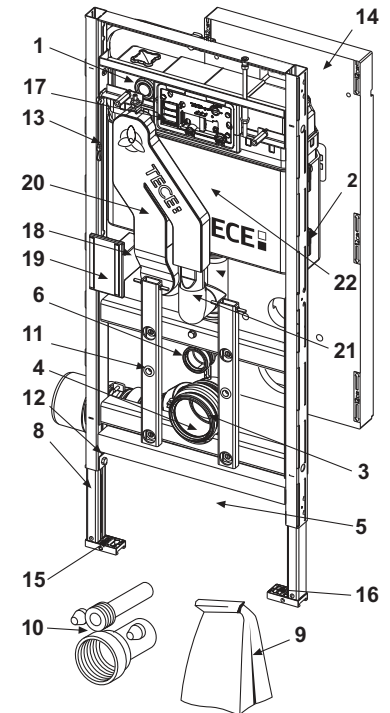
9600200 – TECElux toilet module 200, installation height 1120 mm with subsequent height adjustment

Pos.	Order No.	Designation	DU	1
1	9820575	Uni cistern for TECElux modules	NEW	1 pc.
2	9820040	Assembly kit for Uni cistern		1 pc.
3	9820317	Toilet drain bend DN 90 for dry-wall construction, connection piece made of PE-HD		1 pc.
4	9820139	Seal for toilet drain bend/adapter		1 pc.
5	9820136	Adapter DN 90/DN 100 (PP)		1 pc.
6	9820015	Flush pipe seal		1 pc.
7	9820011	Flush pipe with O-ring, length 269 mm, dry-wall construction		1 pc.
8	9820335	C-section for module foot		1 pc.
9	9820043	By-pack for toilet module (mounting material, etc.)		1 pc.
10	9820057	Connection set DN 90 for toilet		1 pc.
11	9820071	Clinch nut		1 pc.
12	9820447	Foot brake with steel spring		1 pc.
13	9820329	Securing cable		1 pc.
14	9820330	Bare-wall protection		1 pc.
15	9820332	Module foot with toggle left		1 pc.
16	9820333	Module foot with toggle right		1 pc.
17	9240950*	Insert chute for cleaning tablets		1 pc.



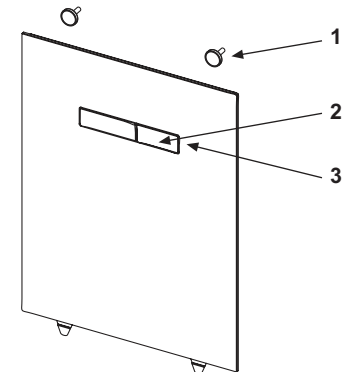
9600400 – TECElux toilet module 400, installation height 1120 mm, subsequent height adjustment, with odour extraction

Pos.	Order No.	Designation	DU 1
1	9820575	Uni cistern for TECElux modules	NEW 1 pc.
2	9820040	Assembly kit for Uni cistern	1 pc.
3	9820317	Toilet drain bend DN 90 for dry-wall construction, connection piece made of PE-HD	1 pc.
4	9820139	Seal for toilet drain bend/adaptor	1 pc.
5	9820136	Adapter DN 90/DN 100 (PP)	1 pc.
6	9820015	Flush pipe seal	1 pc.
8	9820335	C-section for module foot	1 pc.
9	9820043	By-pack for toilet module (mounting material, etc.)	1 pc.
10	9820057	Connection set DN 90 for toilet	1 pc.
11	9820071	Clinch nut	1 pc.
12	9820447	Foot brake with steel spring	1 pc.
13	9820329	Securing cable	1 pc.
14	9820330	Bare-wall protection	1 pc.
15	9820332	Module foot with toggle left	1 pc.
16	9820333	Module foot with toggle right	1 pc.
17	9240950*	Insert chute for cleaning tablets	1 pc.
18	9820301	Filter cartridge	1 pc.
19	9820300	Air outlet	1 pc.
20	9820311	ceramic-Air odour extraction	1 pc.
21	9820350	O-ring odour extraction	1 pc.
22	9820302	TECElux drain valve	1 pc.



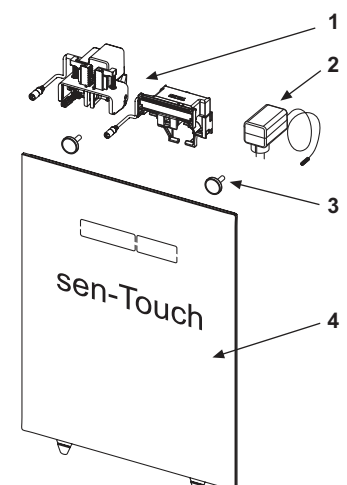
TECElux glass facing with manual actuation unit

Pos.	Order No.	Designation	DU 1
1	9820287	Adjusting magnets	1 pc.
2	9820288	White button set	1 pc.
	9820289	Bright chrome button set	1 pc.
3	9820290	Button set accessories	1 pc.



TECElux glass facing with electronic sen-Touch actuation

Pos.	Order No.	Designation	DU 1
1	9820284	Actuation motor	1 pc.
	9820493**	Actuation motor for TECE cistern (installation depth 13 and 8 cm)	NEW 1 pc.
2	9820286	Power supply plug	1 pc.
3	9820287	Adjusting magnets	1 pc.
4	9820285	sen-Touch glass facing (white)	1 pc.



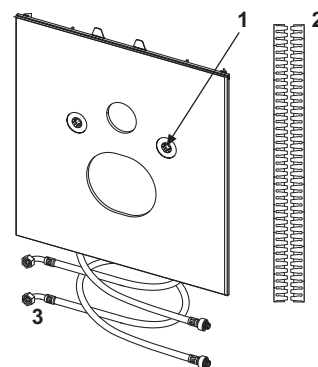
* Not in combination with Octa cistern, 8 cm

** Expected availability: July 2021

TECElux – Spare parts

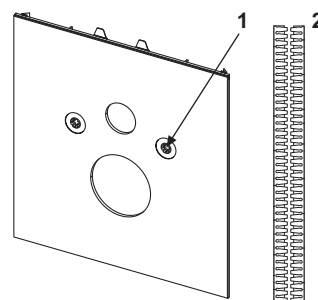
TECElux glass facing for TECEone

Pos.	Order No.	Designation	DU 1
1	9820291	Glass protection caps	1 pc.
2	9820351	Sound insulation tape	1 pc.
3	9820425	Reinforced hose for TECEone	1 pc.



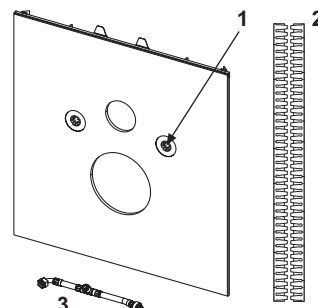
TECElux glass facing for standard toilet

Pos.	Order No.	Designation	DU 1
1	9820291	Glass protection caps	1 pc.
2	9820351	Sound insulation tape	1 pc.



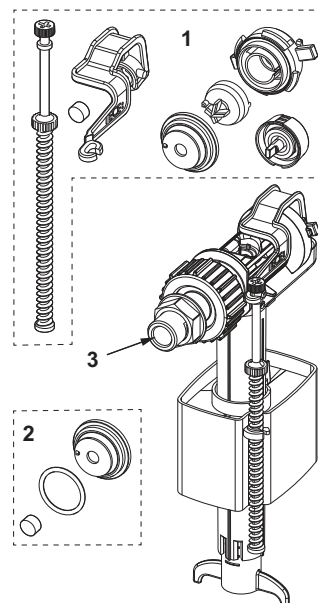
- TECElux glass facing for shower toilet (Toto, Geberit)
- TECElux glass facing for shower toilet (Duravit etc.)
- TECElux glass facing for shower toilet (Aquaclean Sela etc.)
- TECElux glass facing for shower toilet seat

Pos.	Order No.	Designation	DU 1
1	9820291	Glass protection caps	1 pc.
2	9820351	Sound insulation tape	1 pc.
3	9880036	Water connection for shower toilet	1 pc.



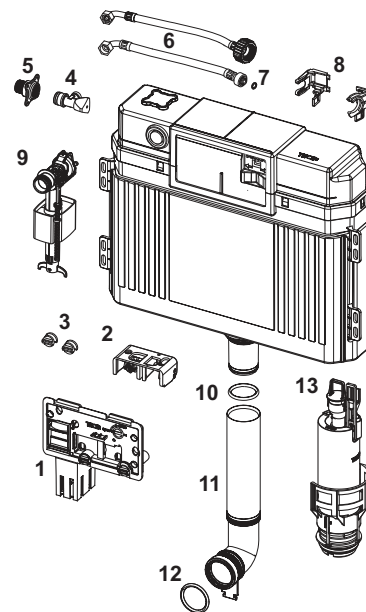
9820353 – TECE filling valve F 10 universal

Pos.	Order No.	Designation	DU 1
1	9820382	Filling valve F 10 valve lever set	1 pc.
2	9820383	Filling valve F 10 sealing kit	1 pc.
3	9820398	Filling valve F 10 threaded connection 3/8"	1 pc.



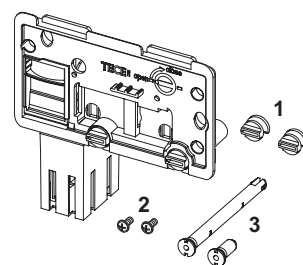
9820575 – TECE Uni cistern for TECElux modules

Pos.	Order No.	Designation	DU 1
1	9240950*	Insert chute for cleaning tablets	1 pc.
2	9820016	Actuation block	1 pc.
3	9820191	Clamping screws set	1 pc.
4	9820013	Corner valve	1 pc.
5	9820012	Cistern connection	1 pc.
6	9820026	Reinforced hose 3/8" (until 2019)	1 pc.
	9820374	Reinforced hose M 30 (from 2020)	1 pc.
7	9820025	O-ring	1 pc.
8	9820372	Filling valve holder for Uni cistern (17 mm, 3/8", up to 2019)	1 pc.
	9820373	Filling valve holder for Uni cistern (27 mm, M 30, from 2020)	1 pc.
9	9820353	Filling valve F 10 universal	1 pc.
10	9820014	O-ring	1 pc.
11	9820011	Flush pipe with O-ring, length 269 mm, dry-wall construction	1 pc.
12	9820015	Flush pipe seal	1 pc.
13	9820223	Drain valve A 2	1 pc.



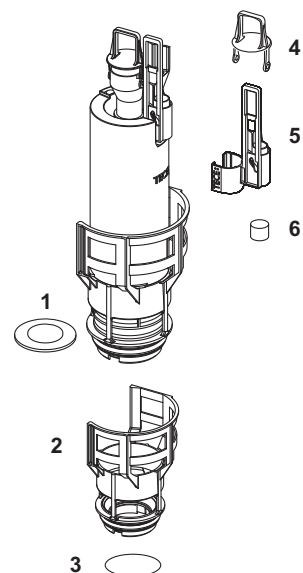
9240950 – TECE insert chute for cleaning tablets

Pos.	Order No.	Designation	DU 1
1	9820191	Clamping screws set	1 pc.
2	9820263	Fastening screws	1 pc.
3	9820349	Guide rods for insert chute	1 pc.



9820223 – TECE drain valve A 2

Pos.	Order No.	Designation	DU 1
1	9820233	Gasket (drain valve)	1 pc.
2	9820231	Valve seat with standard throttle (ø 42 mm)	1 pc.
3	9820005	O-ring (valve seat)	1 pc.
4	9820222	Draw eyelet	1 pc.
5	9820229	Pull rod for electrical actuation	1 pc.
6	9820420	Additional weight small pull rod	1 pc.



* Not in combination with Octa cistern, 8 cm

TECElux – Spare parts

TECEprofil water connection for shower toilet

Replacement reinforced hose with integrated Tee for Uni cisterns.



Order No.	DU 1
9880036	1 pc.



Sanitary Systems

FLUSH PLATES

ASSORTMENT LIST 2021

	Page
Toilet flush plate	51
Urinal flush plate	87



Sanitary Systems

TOILET FLUSH PLATES

ASSORTMENT LIST 2021

	Page
TECElux Mini	54
TECEsquare	56
TECEvelvet	59
TECEloop	61
TECEsolid	65
TECEsolid electronic flushing systems	66
TECEplanus	68
TECEplanus electronic flushing systems	69
TECEnow	73
TECEambia	75
TECEbase	76
TECEflushpoint	77
Accessories	79
Spare parts	80

Toilet flush plate – TECElux Mini

TECElux Mini flush plate with electronic touchless actuation

Electronic flush plate with touch-free actuation for TECE standard cisterns (installation depth 13 cm) with front actuation and actuation height of approx. 1 m (centre flush plate). Flat glass actuation including mounting materials and actuation motor for dual-flush. Suitable for flush-mounted installation. Compatible with insert chute for cleaning tablets.

Dimensions (W x H x D): 220 x 150 x 8 mm

Function of the electronics:

The sensor detects when a person is approaching the toilet, and only illuminates the flush buttons then. The flush actuation is touch-free or by touching the button area. By programming with the TECElux Mini programming remote control (Order No. 9240971), the electronics can be adjusted to individual requirements.

Programmable functions (with programming remote control):

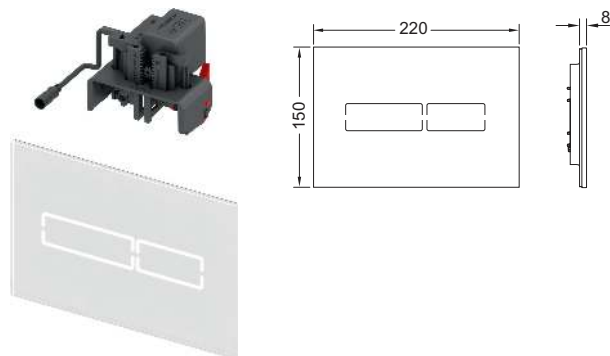
- Sensor recognition field
- Hygiene flush
- Actuation time
- Safety flush
- Display illumination brightness

Please order separately:

- TECElux Mini transformer, including power cable (Order No. 9240970)
- Toilet installation frame for flush-mounted installation
- Programmable remote control (Order No. 9240971)

Note:

- TECElux Mini requires a power connection.
- Not compatible with the TOTO Washlet RX and SX.



Colour	Exhibition samples	Order No.	DU 1
White glass	Yes	9240960	1 pc.
Black glass	Yes	9240961	1 pc.

Information on exhibits is available in the section "Exhibition samples".

TECElux Mini transformer incl. connection cable

Transformer for electrical connection of the TECElux Mini flush plate (approx. 1 m central flush plate), one flush plate can be connected per transformer. For mounting in a flush-mounted socket with a diameter of 60 mm and depth of 63 mm. Electrical connection voltage 230 V (100-240 V, 50-60 Hz), output 12 V DC. Cable length 5 m.



Order No.	DU 1
9240970	1 pc.

TECElux Mini anti-theft device

Concealed screw connection for anti-theft protection of TECElux Mini.



Order No.	DU 1
9820354	1 pc.

TECElux Mini programming remote control

Remote control for programming the TECElux Mini electronics. Programmable functions: Recognition field, hygiene flush, actuation time, safety flush and display lighting brightness.



Order No.	DU 1
9240971	1 pc.

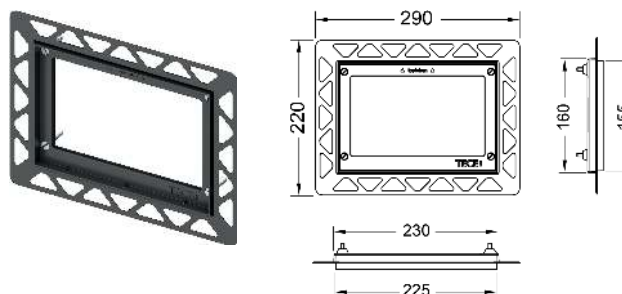
Toilet installation frame for flush-mounted installation

Installation kit for flush-mounted installation of toilet flush plates TECEloop glass, TECEloop plastic, TECEvelvet, TECEsquare glass, TECElux Mini as well as TECEnow. Depth-adjustable tile frame for wall coverings from 5-18 mm (from 18-33 mm with adjustment bolt - Order No. 9820181). Including disassembly tool for flush plate.

Installation frame required during shell assembly!

Caution:

Suitable for dry-wall toilet modules; also for brick-wall constructions in combination with the TECEbox bare-wall protection system (Order No. 9030029). To obtain a clean edge, please use a water jet cutter to prepare the tile cut-out.

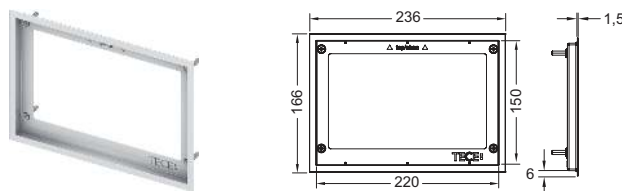


Colour	Exhibition samples	Order No.	DU 1	DU 2
White	Yes	9240646	1 pc.	20 pc.
Black	Yes	9240647	1 pc.	20 pc.
Bright chrome	Yes	9240649	1 pc.	20 pc.
Gold plated	—	9240648	1 pc.	20 pc.
Metal bright	—	9240644	1 pc.	20 pc.

Information on exhibits is available in the section "Exhibition samples".

Cover toilet frame for toilet installation frame

Metal Cover frame for combination with toilet installation frame. To cover uneven tile edges. Depth-adjustable Cover frame for wall coverings from 5-18 mm (from 18-33 mm with adjustment bolt - Order No. 9820181).

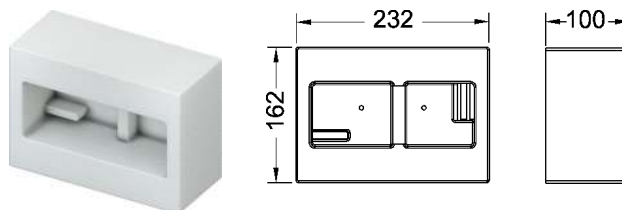


Colour	Order No.	DU 1	DU 2
Bright	9240645	1 pc.	10 pc.
Brushed	9240643	1 pc.	10 pc.

TECEbox brick-wall protection system for flush-mounted installation

Larger bare-wall protection system for brick-wall construction to prepare the installation of the installation frame for toilet flush plates. Suitable for use with all TECEbox toilet modules.

Wall thickness at least 30 mm!



Order No.	DU 1
9030029	1 pc.

Toilet flush plate – TECESquare

TECESquare II metal toilet flush plate for dual-flush system with coloured PVD surface

Flush plate for TECE cisterns, for front or top actuation. Extra-flat metal flush plate with two spring-mounted actuation rocker buttons. Incl. actuation rods, mounting material and disassembly tool. Compatible with insert chute for cleaning tablets.

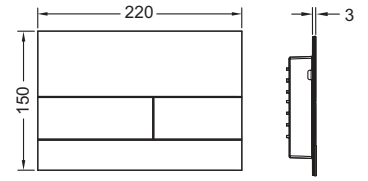
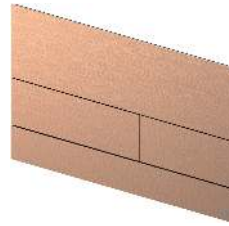
The PVD finishes are colour matched to the TECEdrainprofile shower profile and the latest offers from leading manufacturers including those from the hansgrohe / AXOR collections.

Dimensions (W x H x D): 220 x 150 x 3 mm

Product supplied with toilet installation frame function!

Note:

Ensure minimum wall finish of 30 mm in brick-wall construction!



Colour	Suitable for	Exhibition samples	Order No.	DU 1	DU 2
Brushed Black Chrome	hansgrohe / AXOR	Yes	9240836	1 pc.	10 pc.
Polished Black Chrome	hansgrohe / AXOR	—	9240837	1 pc.	10 pc.
Brushed Gold Optic	hansgrohe / AXOR	—	9240838	1 pc.	10 pc.
Polished Gold Optic	hansgrohe / AXOR	Yes	9240839	1 pc.	10 pc.
Brushed Red Gold	hansgrohe / AXOR	—	9240840	1 pc.	10 pc.
Polished Red Gold	hansgrohe / AXOR	Yes	9240841	1 pc.	10 pc.

Information on exhibits is available in the section "Exhibition samples".

TECESquare II metal toilet flush plate for dual-flush system

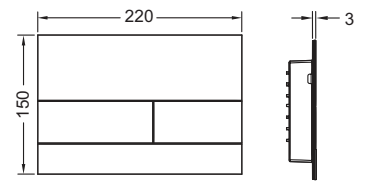
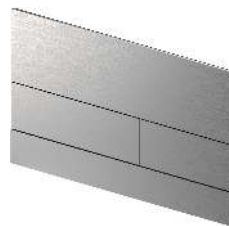
Flush plate for TECE cisterns, for front or top actuation. Extra-flat metal flush plate with two spring-mounted actuation rocker buttons. Incl. actuation rods, mounting material and disassembly tool. Compatible with insert chute for cleaning tablets.

Dimensions (W x H x D): 220 x 150 x 3 mm

Product supplied with toilet installation frame function!

Note:

Ensure minimum wall finish of 30 mm in brick-wall construction!



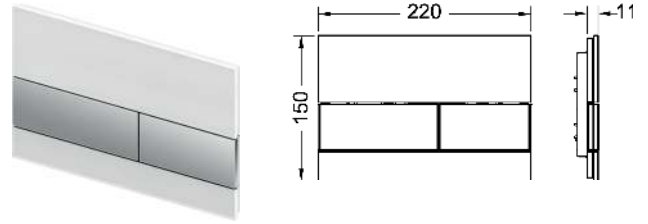
Colour	Exhibition samples	Order No.	DU 1	DU 2
Brushed stainless steel (with anti-fingerprint)	Yes	9240830	1 pc.	10 pc.
Bright chrome	Yes	9240831	1 pc.	10 pc.
Bright white	Yes	9240832	1 pc.	10 pc.
White matt	Yes	9240834	1 pc.	10 pc.
Black matt	Yes	9240833	1 pc.	10 pc.

Information on exhibition samples can be found in the "Exhibition samples" section.

TECESquare glass toilet flush plate for dual-flush system

Flush plate for TECE cisterns, for front or top actuation. Flat glass flush plate with two spring-mounted actuation rocker buttons. Suitable for flush-mounted installation in combination with toilet installation frame for flush-mounted install (e.g. Order No. 9240649). Compatible with insert chute for cleaning tablets.

Dimensions (W x H x D): 220 x 150 x 11 mm



Toilet installation frame for flush-mounted installation not contained in the scope of delivery; please order separately!

Colour	Exhibition samples	Order No.	DU 1	DU 2
White glass, white buttons	Yes	9240800	1 pc.	10 pc.
White glass, brushed stainless steel look button (with anti-fingerprint)	Yes	9240801	1 pc.	10 pc.
White glass, bright chrome buttons	Yes	9240802	1 pc.	10 pc.
Mint green glass, white buttons	—	9240803	1 pc.	10 pc.
Mint green glass, brushed stainless steel look buttons (with anti-fingerprint)	Yes	9240804	1 pc.	10 pc.
Mint green glass, bright chrome buttons	—	9240805	1 pc.	10 pc.
Black glass, brushed stainless steel look buttons (with anti-fingerprint)	Yes	9240806	1 pc.	10 pc.
Black glass, bright chrome buttons	Yes	9240807	1 pc.	10 pc.
Black glass, gold buttons	—	9240808	1 pc.	10 pc.
Black glass, black buttons	Yes	9240809	1 pc.	10 pc.

Information on exhibits is available in the section "Exhibition samples".

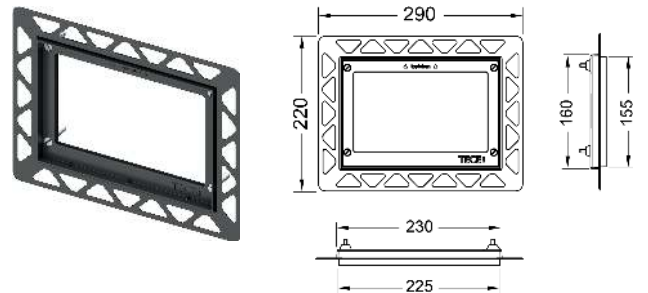
Toilet installation frame for flush-mounted installation

Installation kit for flush-mounted installation of toilet flush plates TECEloop glass, TECEloop plastic, TECEvelvet, TECESquare glass, TECElux Mini as well as TECEnow. Depth-adjustable tile frame for wall coverings from 5-18 mm (from 18-33 mm with adjustment bolt - Order No. 9820181). Including disassembly tool for flush plate.

Installation frame required during shell assembly!

Caution:

Suitable for dry-wall toilet modules; also for brick-wall constructions in combination with the TECEbox bare-wall protection system (Order No. 9030029). To obtain a clean edge, please use a water jet cutter to prepare the tile cut-out.

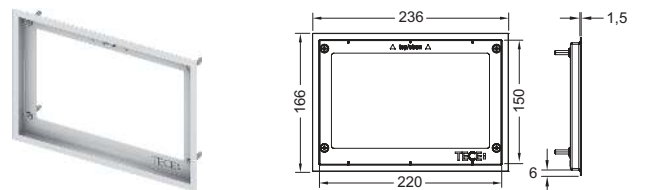


Colour	Exhibition samples	Order No.	DU 1	DU 2
White	Yes	9240646	1 pc.	20 pc.
Black	Yes	9240647	1 pc.	20 pc.
Bright chrome	Yes	9240649	1 pc.	20 pc.
Gold plated	—	9240648	1 pc.	20 pc.
Metal bright	—	9240644	1 pc.	20 pc.

Information on exhibits is available in the section "Exhibition samples".

Cover toilet frame for toilet installation frame

Metal Cover frame for combination with toilet installation frame. To cover uneven tile edges. Depth-adjustable Cover frame for wall coverings from 5-18 mm (from 18-33 mm with adjustment bolt - Order No. 9820181).



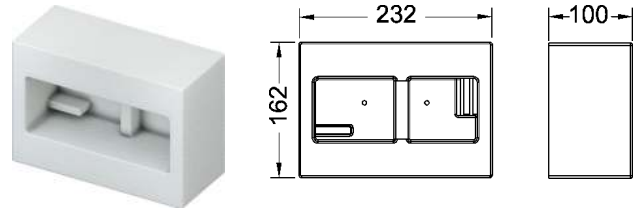
Colour	Order No.	DU 1	DU 2
Bright	9240645	1 pc.	10 pc.
Brushed	9240643	1 pc.	10 pc.

Toilet flush plate – TECESquare

TECEbox brick-wall protection system for flush-mounted installation

Larger bare-wall protection system for brick-wall construction to prepare the installation of the installation frame for toilet flush plates. Suitable for use with all TECEbox toilet modules.

Wall thickness at least 30 mm!



Order No.

9030029

DU 1

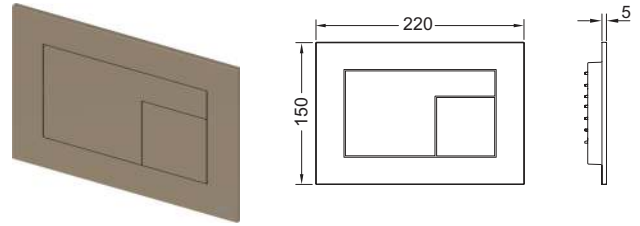
1 pc.

TECEvelvet toilet flush plate for dual-flush system

NEW

Flush plate for TECE cisterns, for front or top actuation. Very flat flush plate with FENIX surface (FENIX® by Arpa Industriale). Matte Soft touch surface with anti-fingerprint. Flush buttons with rubber inlays, including actuation rods and mounting materials. Suitable for flush-mounted installation in combination with toilet installation frame and spacing frame. Compatible with insert chute for cleaning tablets.

Dimensions (W x H x D): 220 x 150 x 5 mm



Design by Konstantin Grcic

Note:

Ensure minimum wall finish of 23 mm in brick-wall construction!

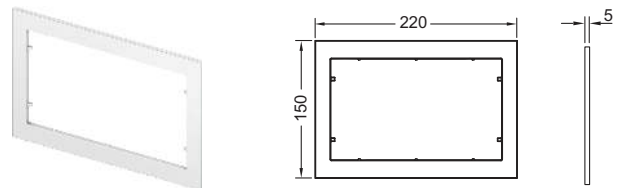
Colour	Suitable for	Exhibition samples	Order No.		DU 1	DU 2
Bianco Kos / White	FENIX® by Arpa Industriale	—	9240735	NEW	1 pc.	10 pc.
Nero Ingo / Black	FENIX® by Arpa Industriale	Yes	9240732	NEW	1 pc.	10 pc.
Castoro Ottawa / Beige-Brown	FENIX® by Arpa Industriale	Yes	9240730	NEW	1 pc.	10 pc.
Beige Arizona / Greige	FENIX® by Arpa Industriale	Yes	9240733	NEW	1 pc.	10 pc.
Grigio Londra / Anthracite	FENIX® by Arpa Industriale	Yes	9240731	NEW	1 pc.	10 pc.
Grigio Efeso / Stone grey	FENIX® by Arpa Industriale	—	9240734	NEW	1 pc.	10 pc.

Information on exhibits is available in the section "Exhibition samples".

TECE spacing frame

Usable as intermediate spacing frame or for flush-mounted installation of TECEnow and TECEloop flush plates.

Dimensions (W x H x D): 220 x 150 x 5 mm



Colour	Exhibition samples	Order No.	DU 1	DU 2
White	—	9240410	1 pc.	10 pc.
Bright chrome	—	9240411	1 pc.	10 pc.
Matte chrome	—	9240412	1 pc.	10 pc.
Black	—	9240415	1 pc.	10 pc.

Toilet flush plate – TECEvelvet

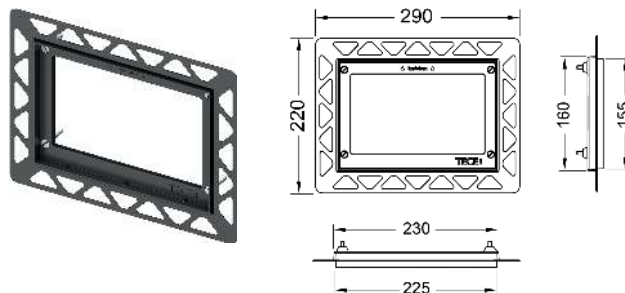
Toilet installation frame for flush-mounted installation

Installation kit for flush-mounted installation of toilet flush plates TECEloop glass, TECEloop plastic, TECEvelvet, TECEsquare glass, TECElux Mini as well as TECEnow. Depth-adjustable tile frame for wall coverings from 5-18 mm (from 18-33 mm with adjustment bolt - Order No. 9820181). Including disassembly tool for flush plate.

Installation frame required during shell assembly!

Caution:

Suitable for dry-wall toilet modules; also for brick-wall constructions in combination with the TECEbox bare-wall protection system (Order No. 9030029). To obtain a clean edge, please use a water jet cutter to prepare the tile cut-out.



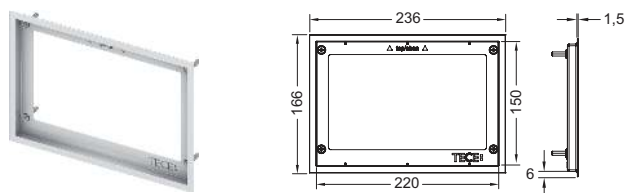
Colour	Exhibition samples	Order No.	DU 1	DU 2
White	Yes	9240646	1 pc.	20 pc.
Black	Yes	9240647	1 pc.	20 pc.
Bright chrome	Yes	9240649	1 pc.	20 pc.
Gold plated	—	9240648	1 pc.	20 pc.
Metal bright	—	9240644	1 pc.	20 pc.

Information on exhibits is available in the section "Exhibition samples".

Cover toilet frame for toilet installation frame

Metal Cover frame for combination with toilet installation frame. To cover uneven tile edges. Depth-adjustable Cover frame for wall coverings from 5-18 mm (from 18-33 mm with adjustment bolt - Order No. 9820181).

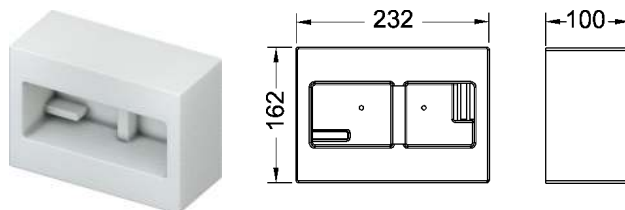
Colour	Order No.	DU 1	DU 2
Bright	9240645	1 pc.	10 pc.
Brushed	9240643	1 pc.	10 pc.



TECEbox brick-wall protection system for flush-mounted installation

Larger bare-wall protection system for brick-wall construction to prepare the installation of the installation frame for toilet flush plates. Suitable for use with all TECEbox toilet modules.

Wall thickness at least 30 mm!



Order No.	DU 1
9030029	1 pc.

TECEloop modular system

The TECEloop modular system can be used to individually combine the covers and push-buttons. The choice of cover colours and different push-button colours produces a multitude of combinations.

In combination with the installation frame for toilet flush plates suitable for flush mounting.

Modular system consisting of:

- Actuation unit with push-button for TECEloop toilet flush plate
- Cover for TECEloop toilet flush plate

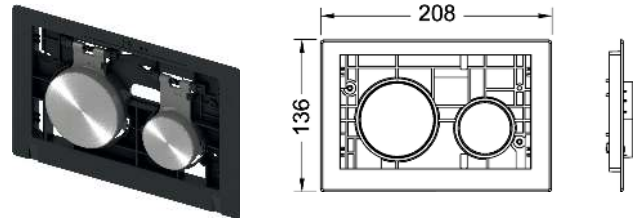
Compatible with insert chute for cleaning tablets.



TECEloop actuation unit for toilet flush plate

Actuation unit with buttons for TECEloop flush plates for front or top actuation, for combination with the cover of the TECEloop modular system.

Cover not contained in the scope of delivery.



Colour	Exhibition samples	Order No.	DU 1	DU 2
White buttons	Yes	9240663	1 pc.	10 pc.
White buttons antibac	—	9240664	1 pc.	10 pc.
Matte chrome buttons	Yes	9240665	1 pc.	10 pc.
Bright chrome buttons	Yes	9240666	1 pc.	10 pc.
Black buttons	—	9240667	1 pc.	10 pc.
Gold buttons	—	9240668	1 pc.	10 pc.
Brushed round stainless steel look buttons (with anti-fingerprint)	Yes	9240669	1 pc.	10 pc.
White matt buttons	—	9240618	NEW 1 pc.	10 pc.
Black matt buttons	Yes	9240619	NEW 1 pc.	10 pc.

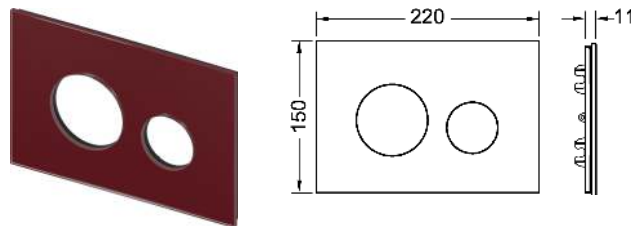
Information on exhibits is available in the section "Exhibition samples".

Toilet flush plate – TECEloop

TECEloop cover for toilet flush plate

Cover for TECEloop flush plates for front or top actuation, for combination with the actuation unit of the TECEloop modular system.

Actuation unit not contained in the scope of delivery.



Colour	Exhibition samples	Suitable for	Order No.		DU 1	DU 2
White glass	—	-	9240671		1 pc.	10 pc.
Black glass	—	Alape/Emco	9240674		1 pc.	10 pc.
Coffee brown glass	Yes	-	9240678		1 pc.	10 pc.
Ruby red glass	Yes	Alape	9240679		1 pc.	10 pc.
Evening blue glass	—	-	9240615	NEW	1 pc.	10 pc.
Titanium glass	—	-	9240616	NEW	1 pc.	10 pc.
Light beige glass	—	-	9240617	NEW	1 pc.	10 pc.
Oak wood	Yes	-	9240612*	NEW	1 pc.	10 pc.
White marble	Yes	-	9240613*	NEW	1 pc.	10 pc.
Light concrete	Yes	-	9240614*	NEW	1 pc.	10 pc.
Slate slab	Yes	-	9240675*		1 pc.	10 pc.
Mint green glass	—	-	9240670	SALE	1 pc.	10 pc.
Orange glass	—	-	9240673	SALE	1 pc.	10 pc.
Silver-grey glass	—	Alape	9240676	SALE	1 pc.	10 pc.
Blue-grey glass	—	-	9240677	SALE	1 pc.	10 pc.
Ivory glass	—	Alape	9240680	SALE	1 pc.	10 pc.
Grass green glass	—	Burgbad	9240685	SALE	1 pc.	10 pc.
Mirror	—	-	9240683	SALE	1 pc.	10 pc.

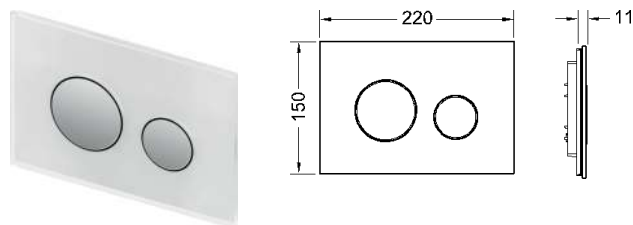
Information on exhibits is available in the section "Exhibition samples".

TECEloop toilet flush plate for dual-flush system

Flush plate for TECE cisterns, for front or top actuation. Flat glass flush plate with two spring-mounted flush buttons. Suitable for flush-mounted installation in combination with toilet installation frame (e.g. 9240649). Compatible with insert chute for cleaning tablets.

Dimensions (W x H x D): 220 x 150 x 11 mm

Toilet installation frame not contained in the scope of delivery.



Colour	Exhibition samples	Order No.		DU 1	DU 2
White glass, white buttons	Yes	9240650		1 pc.	10 pc.
White glass, matte chrome buttons	Yes	9240659		1 pc.	10 pc.
White glass, bright chrome buttons	Yes	9240660		1 pc.	10 pc.
Mint green glass, white buttons	—	9240651	SALE	1 pc.	10 pc.
Mint green glass, matte chrome buttons	—	9240652	SALE	1 pc.	10 pc.
Mint green glass, bright chrome buttons	—	9240653	SALE	1 pc.	10 pc.
Black glass, white buttons	Yes	9240654		1 pc.	10 pc.
Black glass, matte chrome buttons	Yes	9240655		1 pc.	10 pc.
Black glass, bright chrome buttons	Yes	9240656		1 pc.	10 pc.
Black glass, black buttons	Yes	9240657		1 pc.	10 pc.
Black glass, gold buttons	Yes	9240658		1 pc.	10 pc.

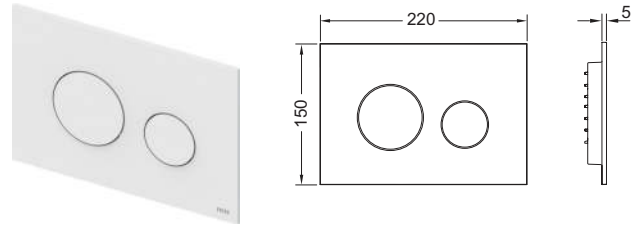
Information on exhibits is available in the section "Exhibition samples".

TECEloop plastic toilet flush plate for dual-flush system

NEW

Flush plate for TECE cisterns, for front or top actuation. Very flat plastic flush plate, flush buttons with rubber inlays, including actuation rods and mounting materials. Suitable for flush-mounted installation in combination with toilet installation frame and spacing frame. Compatible with insert chute for cleaning tablets.

Dimensions (W x H x D): 220 x 150 x 5 mm



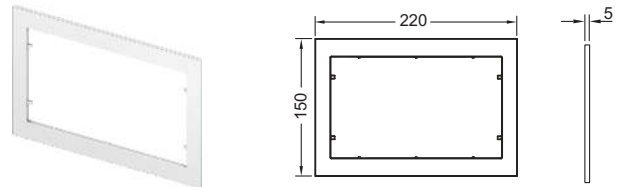
Colour	Exhibition samples	Order No.		DU 1	DU 2
White	Yes	9240920	NEW	1 pc.	10 pc.
Bright chrome	—	9240921	NEW	1 pc.	10 pc.
Matte chrome	Yes	9240922	NEW	1 pc.	10 pc.
Black	—	9240924	NEW	1 pc.	10 pc.
Black matt	Yes	9240925	NEW	1 pc.	10 pc.
White matt	—	9240926*	NEW	1 pc.	10 pc.
White, bright chrome buttons	—	9240927*	NEW	1 pc.	10 pc.

Information on exhibits is available in the section "Exhibition samples".

TECE spacing frame

Usable as intermediate spacing frame or for flush-mounted installation of TECEnow and TECEloop flush plates.

Dimensions (W x H x D): 220 x 150 x 5 mm

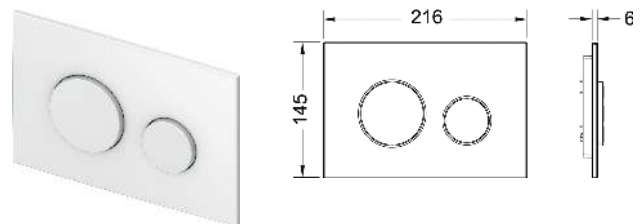


Colour	Exhibition samples	Order No.		DU 1	DU 2
White	—	9240410		1 pc.	10 pc.
Bright chrome	—	9240411		1 pc.	10 pc.
Matte chrome	—	9240412		1 pc.	10 pc.
Black	—	9240415		1 pc.	10 pc.

TECEloop plastic toilet flush plate for dual-flush system

Flush plate for TECE cisterns, for front or top actuation. Extremely flat plastic flush plate with two spring-mounted buttons. Compatible with insert chute for cleaning tablets.

Dimensions (W x H x D): 216 x 145 x 6 mm



Colour	Exhibition samples	Order No.		DU 1	DU 2
White	—	9240600	SALE	1 pc.	10 pc.
White, antibacterial	—	9240640	SALE	1 pc.	10 pc.
White, bright chrome buttons	—	9240627	SALE	1 pc.	10 pc.
Matte chrome	—	9240625	SALE	1 pc.	10 pc.
Bright chrome	—	9240626	SALE	1 pc.	10 pc.

Toilet flush plate – TECEloop

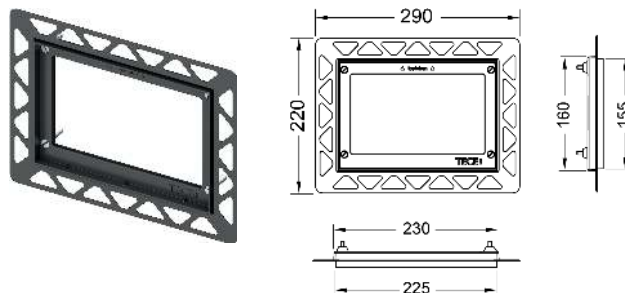
Toilet installation frame for flush-mounted installation

Installation kit for flush-mounted installation of toilet flush plates TECEloop glass, TECEloop plastic, TECEvelvet, TECEsquare glass, TECElux Mini as well as TECEnow. Depth-adjustable tile frame for wall coverings from 5-18 mm (from 18-33 mm with adjustment bolt - Order No. 9820181). Including disassembly tool for flush plate.

Installation frame required during shell assembly!

Caution:

Suitable for dry-wall toilet modules; also for brick-wall constructions in combination with the TECEbox bare-wall protection system (Order No. 9030029). To obtain a clean edge, please use a water jet cutter to prepare the tile cut-out.

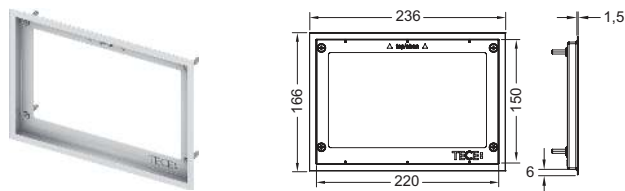


Colour	Exhibition samples	Order No.	DU 1	DU 2
White	Yes	9240646	1 pc.	20 pc.
Black	Yes	9240647	1 pc.	20 pc.
Bright chrome	Yes	9240649	1 pc.	20 pc.
Gold plated	—	9240648	1 pc.	20 pc.
Metal bright	—	9240644	1 pc.	20 pc.

Information on exhibits is available in the section "Exhibition samples".

Cover toilet frame for toilet installation frame

Metal Cover frame for combination with toilet installation frame. To cover uneven tile edges. Depth-adjustable Cover frame for wall coverings from 5-18 mm (from 18-33 mm with adjustment bolt - Order No. 9820181).

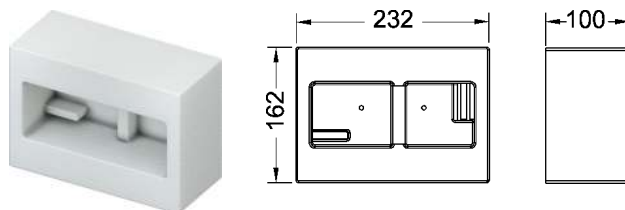


Colour	Order No.	DU 1	DU 2
Bright	9240645	1 pc.	10 pc.
Brushed	9240643	1 pc.	10 pc.

TECEbox brick-wall protection system for flush-mounted installation

Larger bare-wall protection system for brick-wall construction to prepare the installation of the installation frame for toilet flush plates. Suitable for use with all TECEbox toilet modules.

Wall thickness at least 30 mm!



Order No.	DU 1
9030029	1 pc.

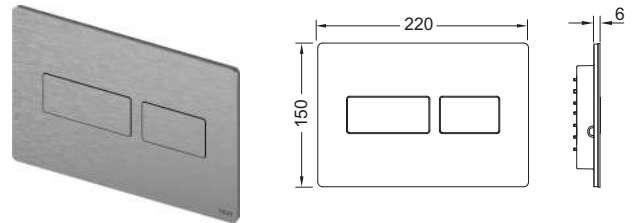
TECESolid toilet flush plate for dual-flush system

Flush plate for TECE cisterns, for front or top actuation. Very flat stainless steel flush plate with rubber inlays on flush buttons, incl. actuating rods and mounting material. Flush plate covertly screwable. Compatible with insert chute for cleaning tablets.

Dimensions (W x H x D): 220 x 150 x 6 mm

Note:

Ensure minimum wall finish of 26 mm in brick-wall construction!



Colour	Exhibition samples	Order No.	DU 1	DU 2
Bright white	Yes	9240432	1 pc.	10 pc.
White matt	—	9240433	1 pc.	10 pc.
Brushed stainless steel	—	9240430	1 pc.	10 pc.
Brushed stainless steel (with anti-fingerprint)	Yes	9240434	1 pc.	10 pc.
Bright chrome	Yes	9240431	1 pc.	10 pc.
Black matt	—	9240416	NEW 1 pc.	10 pc.

Information on exhibits is available in the section "Exhibition samples".

TECESolid concealed screws

Concealed screw connection for anti-theft protection of TECESolid flush plate, includes assembly tool.

Order No.	DU 1
9240442	1 pc.

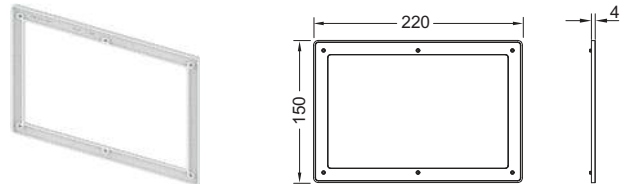


TECESolid spacing frame

For combination with the TECESolid flush plate, usable as intermediate spacing frame.

Dimensions (W x H x D): 220 x 150 x 4 mm

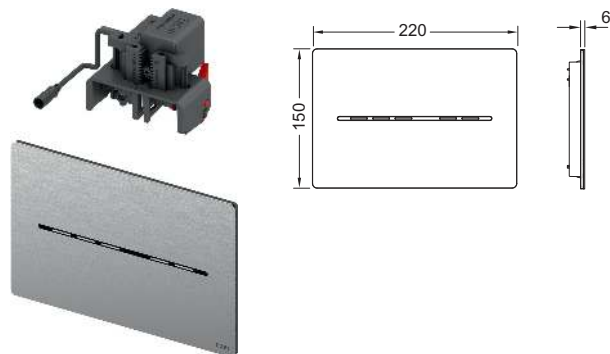
Colour	Order No.	DU 1	DU 2
White	9240440	1 pc.	10 pc.
Grey	9240441	1 pc.	10 pc.



Toilet flush plate – TECESolid electronic flushing systems

TECESolid WC electronics with touchless actuation, 6 V battery **NEW**

Electronic flush plate with touch-free hygienic actuation for TECE standard cisterns (installation depth 13 cm) with front actuation and actuation height of approx. 1 m (centre of flush plate). Very flat stainless steel flush plate including fixing material, watertight battery compartment for installation in the cistern (with four batteries type Mono/D/LR 20) and actuation motor for single or dual flush. Compatible with insertion chute for cleaning tablets. Dimensions (W x H x D): 220 x 150 x 6 mm



Function of the electronics:

The sensor detects when a person approaches the toilet and only illuminates the flush buttons then. The flush actuation is touch-free or by touching the button area. The TECESolid WC electronics can be adapted to individual requirements using app programming.

Programmable functions (via Bluetooth interface and app):

- Single or water-saving dual flush
- Detection range of the sensor
- Interval hygiene flush
- Activation time
- Pre-flush
- automatic flush (safety flush)
- Display illumination brightness

Evaluation/logging function via app, interface to building management system and for remote release via cable-connected electric button on the safety arm support.

Note:

- Not compatible with TOTO Washlets RX and SX.

Colour	Exhibition samples	Order No.		DU 1
Bright chrome	—	9240461	NEW	1 pc.
Bright white	—	9240462	NEW	1 pc.
White matt	—	9240463	NEW	1 pc.
Brushed stainless steel (with anti-fingerprint)	Yes	9240464	NEW	1 pc.
Black matt	—	9240465	NEW	1 pc.

Information on exhibits is available in the section "Exhibition samples".

Toilet flush plate – TECESolid electronic flushing systems

TECESolid WC electronics with touchless actuation, 12 V mains **NEW**

Electronic flush plate with touch-free hygienic actuation for TECE standard cisterns (installation depth 13 cm) with front actuation and actuation height of approx. 1 m (centre of flush plate). Very flat stainless steel flush plate including fixing material and actuation motor for single or dual flush. Compatible with insertion chute for cleaning tablets.

Dimensions (W x H x D): 220 x 150 x 6 mm

Function of the electronics:

The sensor detects when a person approaches the toilet and only illuminates the flush buttons then. The flush actuation is touch-free or by touching the button area. The TECESolid WC electronics can be adapted to individual requirements using app programming.

Programmable functions (via Bluetooth interface and app):

- Single or water-saving dual flush
- Detection range of the sensor
- Interval hygiene flush
- Activation time
- Pre-flush
- Automatic flush (safety flush)
- Display illumination brightness

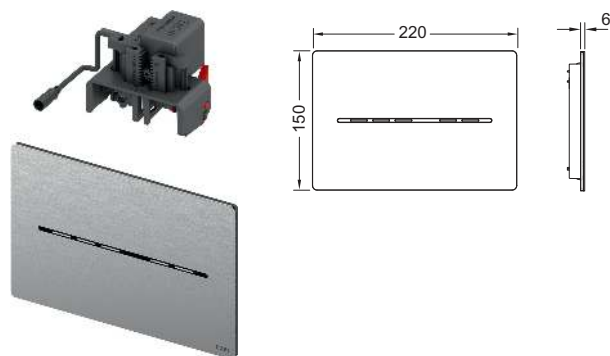
Evaluation/logging function via app, interface to building management system and for remote release via wired electric button on the safety arm support, including 9-volt block battery for emergency power supply.

Please order separately:

- For 230/12 V connection: transformer including power cable (230 V connection voltage, order no. 9810012)

Note:

- TECESolid WC electronics requires a power connection.
- Not compatible with TOTO Washlets RX and SX.



Colour	Exhibition samples	Order No.		DU 1
Bright chrome	—	9240451	NEW	1 pc.
Bright white	—	9240452	NEW	1 pc.
White matt	—	9240453	NEW	1 pc.
Brushed stainless steel (with anti-fingerprint)	Yes	9240454	NEW	1 pc.
Black matt	—	9240455	NEW	1 pc.

Information on exhibits is available in the section "Exhibition samples".

TECESolid WC electronics anti-theft device **NEW**

Concealed screw connection for anti-theft protection of TECESolid WC electronics.



Order No.		DU 1
9240443	NEW	1 pc.

TECE transformer for toilet electronics incl. connection cable **NEW**

Transformer for the electrical connection of the TECESolid toilet electronics (approx. 1 m central flush plate). One flush plate can be connected per transformer. For mounting in a flush-mounted socket with a diameter of 60 mm and depth of 63 mm. Electrical connection voltage 230 V (100-240 V, 50-60 Hz), output 12 V DC. Cable length 5 m.



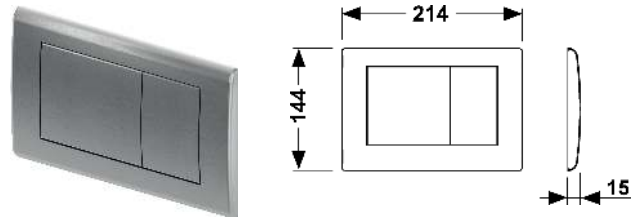
Order No.		DU 1
9810012	NEW	1 pc.

Toilet flush plate – TECEplanus

TECEplanus toilet flush plate for dual-flush system

Stainless steel flush plate for TECE cisterns, for front or top actuation, attached with concealed screws. Stop collar with rubber inlays on both sides. Incl. actuating rods and mounting material. Compatible with insert chute for cleaning tablets.

Dimensions (W x H x D): 214 x 144 x 15 mm



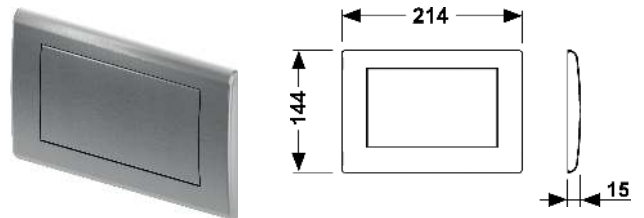
Colour	Exhibition samples	Order No.	DU 1	DU 2
Silky matte white	Yes	9240322	1 pc.	10 pc.
Bright white	Yes	9240324	1 pc.	10 pc.
Brushed stainless steel	Yes	9240320	1 pc.	10 pc.
Bright chrome	Yes	9240321	1 pc.	10 pc.
Antique copper	Yes	9240365	1 pc.	10 pc.
Old brass	Yes	9240366	1 pc.	10 pc.

Information on exhibition samples can be found in the "Exhibition samples" section.

TECEplanus toilet flush plate for single-flush system

Stainless steel flush plate for TECE cisterns, for front or top actuation, attached with concealed screws. Stop collar with rubber inlays on both sides. Incl. actuation rod and mounting material. Compatible with insert chute for cleaning tablets.

Dimensions (W x H x D): 214 x 144 x 15 mm



Colour	Exhibition samples	Order No.	DU 1	DU 2
Silky matte white	Yes	9240312	1 pc.	10 pc.
Bright white	Yes	9240314	1 pc.	10 pc.
Brushed stainless steel	Yes	9240310	1 pc.	10 pc.
Bright chrome	Yes	9240311	1 pc.	10 pc.

Information on exhibition samples can be found in the "Exhibition samples" section.

Toilet flush plate – TECEplanus electronic flushing systems

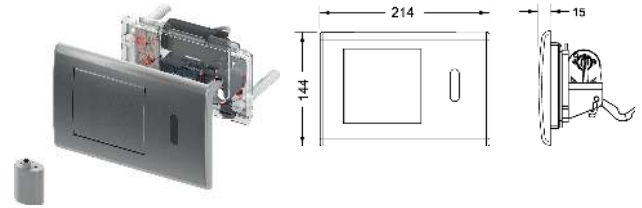
TECEplanus toilet electronics with IR sensor, 6 V battery

For touch-free flush actuation of TECE cisterns. Suitable for all TECE cisterns (installation depth 13 cm) with actuation from the front and actuation height of approx. 1 m.

Consisting of:

- Autofocus infra-red sensor with two recognition areas for the recognition of standing or sitting persons
- Flush plate made of stainless steel for optional manual flush triggering
- Water-proof battery compartment including lithium battery, type 2CR5, 6 VDC
- Electric lifting device with servo-motor completely mounted on the actuation block
- Pre-set flush volume 4.5/6/7.5 or 9 litres
- Actuation rod and mounting materials
- Programming key
- Hygiene function can be configured

Compatible with insert chute for cleaning tablets.



Colour	Order No.	DU 1
Brushed stainless steel	9240350*	1 pc.
Bright chrome	9240351*	1 pc.
Bright white	9240361*	1 pc.

TECEplanus toilet electronics with IR sensor, 12 V mains

For touch-free flush actuation of TECE cisterns. Suitable for all TECE cisterns (installation depth 13 cm) with actuation from the front and actuation height of approx. 1 m.

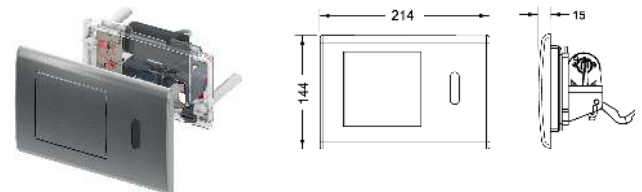
Consisting of:

- Autofocus infra-red sensor with two recognition areas for the recognition of standing or sitting persons
- Flush plate made of stainless steel for optional manual flush triggering
- Mains operation by external 230/12 V transformer (not contained in the scope of delivery)
- Electric lifting device with servo-motor completely mounted on the actuation block
- Pre-set flush volume 4.5/6/7.5 or 9 litres
- Actuation rod and mounting materials
- Programming key
- Hygiene function can be configured

Please order separately:

- TECEplanus 230/12 V transformer – Order No. 9810003
- TECEplanus 12 V connection cable – Order No. 9810004

Compatible with insert chute for cleaning tablets.



Colour	Order No.	DU 1
Brushed stainless steel	9240352*	1 pc.
Bright chrome	9240353*	1 pc.
Bright white	9240362*	1 pc.

* Not in combination with Octa cistern, 8 cm

Toilet flush plate – TECEplanus electronic flushing systems

TECEplanus toilet remote release for safety arm support, 6 V battery

For barrier-free construction, for remote release of TECE cisterns via radio switch in the safety support arm. Suitable for all TECE cisterns (installation depth 13 cm) with actuation from the front und actuation height of approx. 1 m. Additional manual flush actuation possible via flush plate (not contained in the delivery).

Suitable for safety support arms with radio actuation:

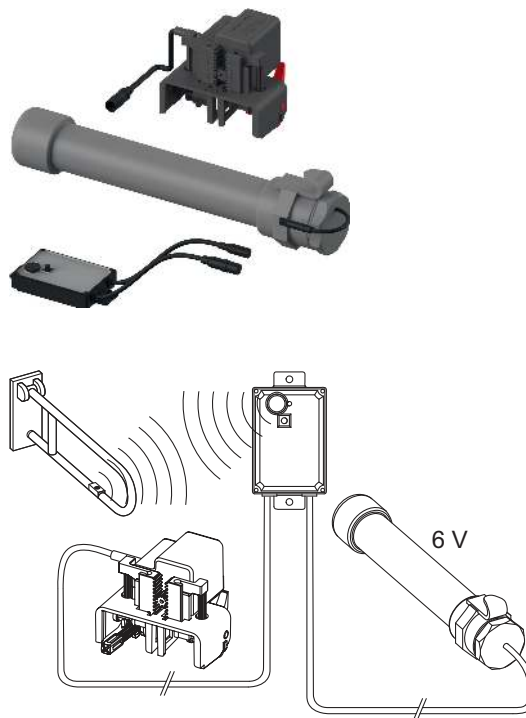
- HEWI series LifeSystem safety support arms 802.50..., with upgrade set HEWI 802.50.060R (right) or HEWI 802.50.060L (left)
- HEWI series 801 safety support arms 801.50..., with upgrade set HEWI 801.50.060
- HEWI series 805 safety support arms 805.50..., with upgrade set HEWI 801.50.060
- KEUCO Plan Care 34903 and 34905 with radio actuation

Consisting of:

- Adjustable flush volume 4.5/6/7.5 or 9 litres
- Water-tight battery compartment for installation in the cistern
- four batteries, type Mono/D/LR20
- actuation motor

Please order separately:

- Manual flush plate
- Single or dual volume flush plate



Order No.

9240354*

DU 1

1 pc.

TECEplanus toilet remote release for safety arm support, 12 V mains

For barrier-free construction, for remote release of TECE cisterns via radio switch in the safety support arm. Suitable for all TECE cisterns (installation depth 13 cm) with actuation from the front und actuation height of approx. 1 m. Additional manual flush actuation possible via flush plate (not contained in the delivery).

Suitable for safety support arms with radio actuation:

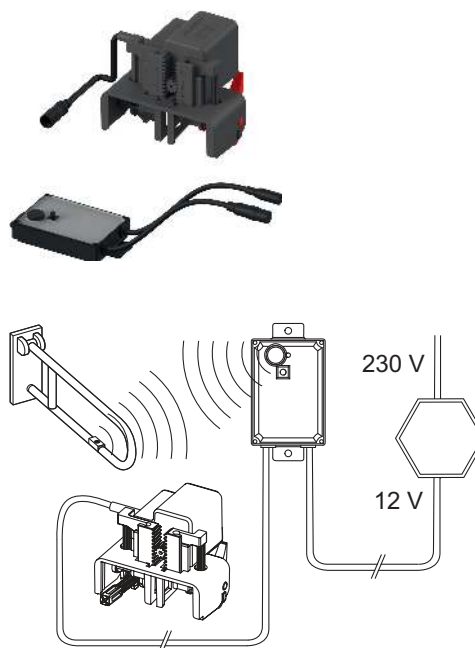
- HEWI series LifeSystem safety support arms 802.50..., with upgrade set HEWI 802.50.060R (right) or HEWI 802.50.060L (left)
- HEWI series 801 safety support arms 801.50..., with upgrade set HEWI 801.50.060
- HEWI series 805 safety support arms 805.50..., with upgrade set HEWI 801.50.060
- KEUCO Plan Care 34903 and 34905 with radio actuation

Consisting of:

- Adjustable flush volume 4.5/6/7.5 or 9 litres
- Power supply by external 230/12 V transformer (transformer not contained in the scope of delivery).
- actuation motor

Please order separately:

- TECEplanus 230/12 V transformer – Order No. 9810003
- TECEplanus 12 V connection cable – Order No. 9810004
- Single or dual volume flush plate



Order No.

9240355*

DU 1

1 pc.

TECEplanus toilet remote release for cable-connected electronic buttons, 6 V battery

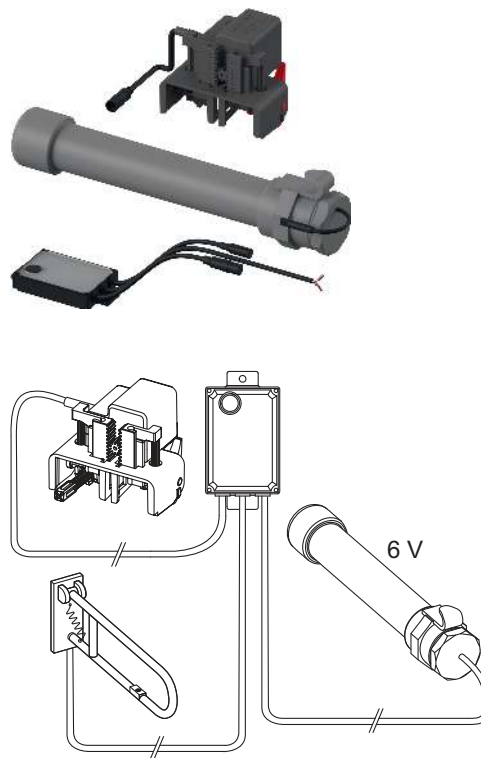
For barrier-free construction, for remote release of TECE cisterns by cable-connected electric push-buttons in the safety support arm or in the wall. Suitable for all TECE cisterns (installation depth 13 cm) with actuation from the front und actuation height of approx. 1 m. Additional manual flush actuation possible via flush plate (not contained in the delivery).

Consisting of:

- Adjustable flush volume 4.5/6/7.5 or 9 litres
- Water-tight battery compartment for installation in the cistern
- four batteries, type Mono/D/LR20
- actuation motor

Please order separately:

- Single or dual volume flush plate



Order No.

9240356*

DU 1

1 pc.

TECEplanus toilet remote release for cable-connected electronic buttons, 12 V mains

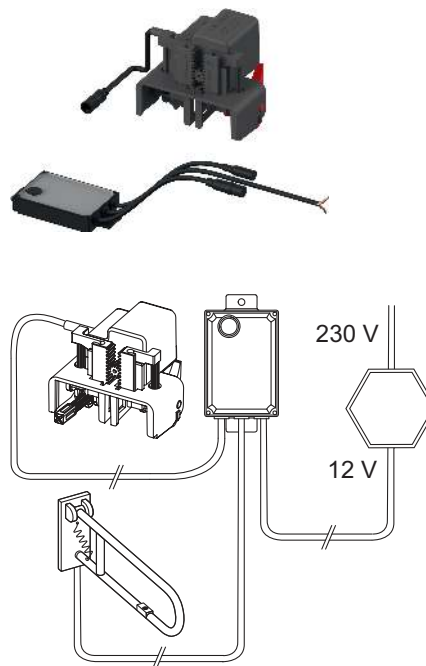
For barrier-free construction, for remote release of TECE cisterns by cable-connected electric push-buttons in the safety support arm or in the wall. Suitable for all TECE cisterns (installation depth 13 cm) with actuation from the front und actuation height of approx. 1 m. Additional manual flush actuation possible via flush plate (not contained in the delivery).

Consisting of:

- Adjustable flush volume 4.5/6/7.5 or 9 litres
- Power supply by external 230/12 V transformer (transformer not contained in the scope of delivery)
- actuation motor

Please order separately:

- TECEplanus 230/12 V transformer – Order No. 9810003
- TECEplanus 12 V connection cable – Order No. 9810004
- Single or dual volume flush plate



Order No.

9240357*

DU 1

1 pc.

TECEplanus transformer for 230/12 V mains electronics, toilet/urinal

For installation in standard flush-mounted boxes with \varnothing 60 mm, up to 5 urinal electronics or 1 toilet electronics can be connected.

Electrical connection: 230 V

Output: 12 V DC



Order No.

9810003

DU 1

1 pc.

* Not in combination with Octa cistern, 8 cm

Toilet flush plate – TECEplanus electronic flushing systems

TECEplanus connection cable for 12 V mains electronics, toilet/urinal

Twin-core power cable, length 10 m.



Order No.	DU 1
9810004	1 pc.

TECEplanus radio button

Retrofit button for safety arm support, suitable for TECE radio controlled toilet flush system.



Order No.	DU 1
9240360	1 pc.

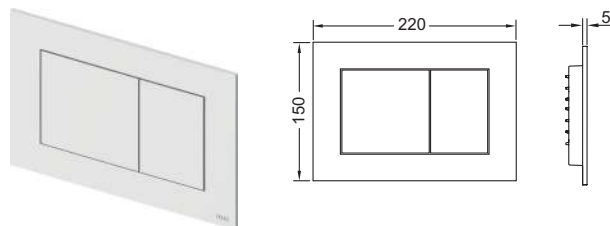
TECEnow toilet flush plate for dual-flush system

Flush plate for TECE cisterns, for front or top actuation. Very flat plastic flush plate, buttons with rubber inlays on both sides. Incl. actuating rods and mounting material. Suitable for flush-mounted installation in combination with toilet installation frame and spacing frame. Compatible with insert chute for cleaning tablets.

Dimensions (W x H x D): 220 x 150 x 5 mm

Note:

Ensure minimum brick-wall construction thickness of 23 mm!



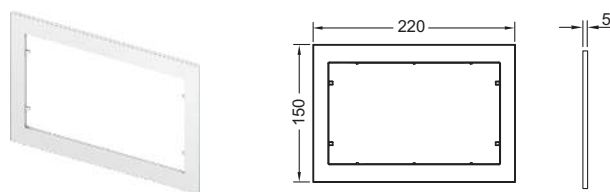
Colour	Exhibition samples	Order No.	DU 1	DU 2
White	Yes	9240400	1 pc.	10 pc.
White, antibacterial	—	9240405	1 pc.	10 pc.
Bright chrome	Yes	9240401	1 pc.	10 pc.
Matte chrome	Yes	9240402	1 pc.	10 pc.
Black	Yes	9240403	1 pc.	10 pc.
Black matt	Yes	9240407	1 pc.	10 pc.
White matt	—	9240417	NEW	1 pc. 10 pc.

Information on exhibition samples can be found in the "Exhibition samples" section.

TECE spacing frame

Usable as intermediate spacing frame or for flush-mounted installation of TECEnow and TECEloop flush plates.

Dimensions (W x H x D): 220 x 150 x 5 mm



Colour	Exhibition samples	Order No.	DU 1	DU 2
White	—	9240410	1 pc.	10 pc.
Bright chrome	—	9240411	1 pc.	10 pc.
Matte chrome	—	9240412	1 pc.	10 pc.
Black	—	9240415	1 pc.	10 pc.

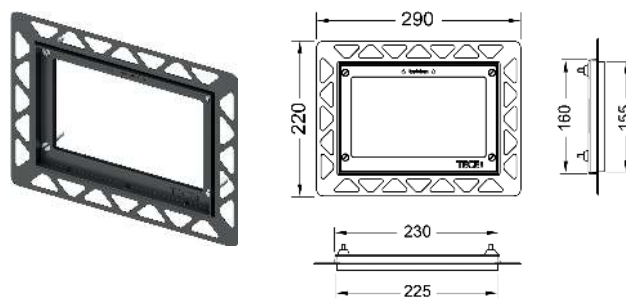
Toilet installation frame for flush-mounted installation

Installation kit for flush-mounted installation of toilet flush plates TECEloop glass, TECEloop plastic, TECEvelvet, TECESquare glass, TECElux Mini as well as TECEnow. Depth-adjustable tile frame for wall coverings from 5-18 mm (from 18-33 mm with adjustment bolt - Order No. 9820181). Including disassembly tool for flush plate.

Installation frame required during shell assembly!

Caution:

Suitable for dry-wall toilet modules; also for brick-wall constructions in combination with the TECEbox bare-wall protection system (Order No. 9030029). To obtain a clean edge, please use a water jet cutter to prepare the tile cut-out.



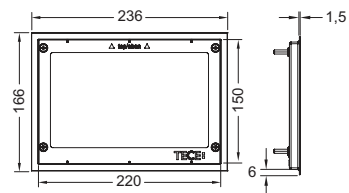
Colour	Exhibition samples	Order No.	DU 1	DU 2
White	Yes	9240646	1 pc.	20 pc.
Black	Yes	9240647	1 pc.	20 pc.
Bright chrome	Yes	9240649	1 pc.	20 pc.
Gold plated	—	9240648	1 pc.	20 pc.
Metal bright	—	9240644	1 pc.	20 pc.

Information on exhibits is available in the section "Exhibition samples".

Toilet flush plate – TECEnow

Cover toilet frame for toilet installation frame

Metal Cover frame for combination with toilet installation frame. To cover uneven tile edges. Depth-adjustable Cover frame for wall coverings from 5-18 mm (from 18-33 mm with adjustment bolt - Order No. 9820181).

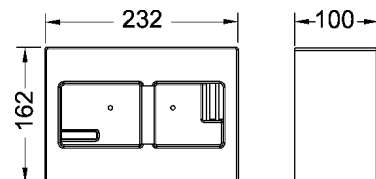


Colour	Order No.	DU 1	DU 2
Bright	9240645	1 pc.	10 pc.
Brushed	9240643	1 pc.	10 pc.

TECEbox brick-wall protection system for flush-mounted installation

Larger bare-wall protection system for brick-wall construction to prepare the installation of the installation frame for toilet flush plates. Suitable for use with all TECEbox toilet modules.

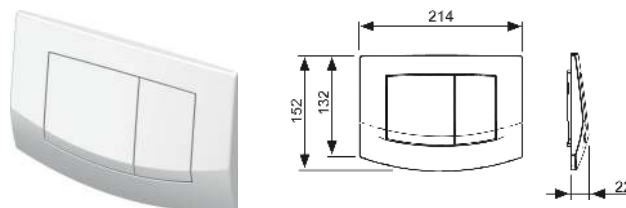
Wall thickness at least 30 mm!



Order No.	DU 1
9030029	1 pc.

TECEambia toilet flush plate for dual-flush system

Flush plate for TECE cisterns, for front or top actuation. Plastic flush plate, buttons with rubber inlays on both sides. Incl. actuating rods and mounting material. Compatible with insert chute for cleaning tablets.
Dimensions (W x H x D): 214 x 152 x 22 mm

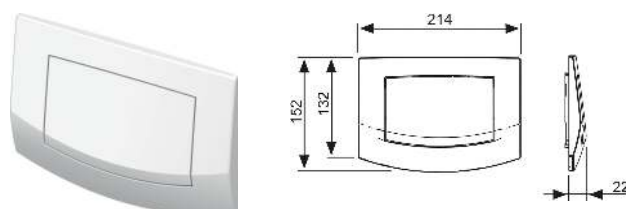


Colour	Exhibition samples	Order No.	DU 1	DU 2
White	Yes	9240200	1 pc.	10 pc.
White, antibacterial	Yes	9240240	1 pc.	10 pc.
Matte chrome	Yes	9240225	1 pc.	10 pc.
Bright chrome	Yes	9240226	1 pc.	10 pc.
Matte chrome frame, bright chrome buttons	Yes	9240253	1 pc.	10 pc.
Bright chrome frame, matte chrome buttons	Yes	9240254	1 pc.	10 pc.

Information on exhibition samples can be found in the "Exhibition samples" section.

TECEambia toilet flush plate for single-flush system

Flush plate for TECE cisterns, for front or top actuation. Plastic flush plate, button with rubber inlays on both sides. Incl. actuating rod and mounting material. Compatible with insert chute for cleaning tablets.
Dimensions (W x H x D): 214 x 152 x 22 mm



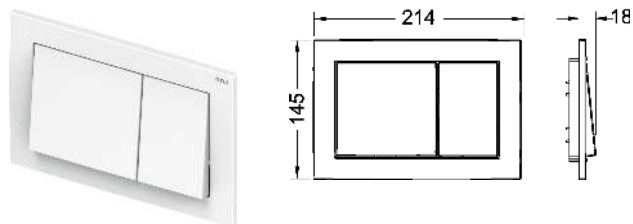
Colour	Exhibition samples	Order No.	DU 1	DU 2
White	—	9240100	1 pc.	10 pc.
White, antibacterial	—	9240140	1 pc.	10 pc.
Matte chrome	—	9240125	1 pc.	10 pc.
Bright chrome	—	9240126	1 pc.	10 pc.

Toilet flush plate – TECEbase

TECEbase toilet flush plate for dual-flush system

Flush plate for TECE cisterns, for front or top actuation. Plastic flush plate incl. actuating rods and mounting material. Compatible with insert chute for cleaning tablets.

Dimensions (W x H x D): 214 x 145 x 18 mm



Colour	Exhibition samples	Order No.	DU 1	DU 2
White	—	9240700	1 pc.	10 pc.
Bright chrome	—	9240701	1 pc.	10 pc.
Matte chrome	—	9240702	1 pc.	10 pc.

TECEflushpoint pneumatic remote release for Uni cistern, shell set **NEW**

Pneumatic remote release for Uni cisterns for decentralised actuation of the cistern in combination with a manual TECE flush plate or an inspection panel. For use in solid and dry-wall construction or furniture installation.

Consisting of: pneumatic actuator for Uni cistern, flush-mounted socket, 2 m pneumatic hose, 2 m conduit, installation depth: 75 mm

Caution:

Can only be used in combination with the TECEflushpoint pneumatic remote release fine installation set 9240978-9240984 (please order separately).



Order No.		DU 1
9240976*	NEW	1 pc.

TECEflushpoint pneumatic remote release for Octa cistern, shell set **NEW**

Pneumatic remote release for Octa cisterns for decentralised actuation of the cistern in combination with a manual TECE flush plate or an inspection panel. For use in solid and dry-wall construction or furniture installation.

Consisting of: pneumatic actuator for Octa cistern, flush-mounted socket, 2 m pneumatic hose, 2 m conduit, installation depth: 75 mm

Caution:

Can only be used in combination with the TECEflushpoint pneumatic remote release fine installation set 9240978-9240984 (please order separately).



Order No.		DU 1
9240977*	NEW	1 pc.

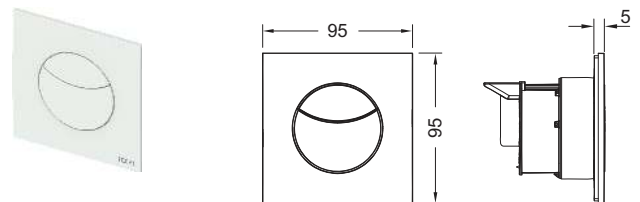
TECEflushpoint pneumatic remote release for dual-flush system, fine installation set, with square cover **NEW**

Pneumatic remote release for TECE cisterns for decentralised actuation of the cistern in combination with a manual TECE flush plate or an inspection panel. For use in solid and dry-wall construction or furniture installation. Compatible with insert chute for cleaning tablets. Dimensions (W x H x D): 95 x 95 x 5 mm

Consisting of: very flat design cover plate in square design, large and small button and the pneumatic actuation unit

Caution:

Can only be used in combination with the TECEflushpoint pneumatic remote release shell set 9240976 or Octa 9240977 (please order separately).



Colour	Order No.		DU 1
White	9240978*	NEW	1 pc.
Bright chrome	9240979*	NEW	1 pc.
Matte chrome	9240980*	NEW	1 pc.

Toilet flush plate – TECEflushpoint

TECEflushpoint pneumatic remote release for dual-flush system, fine installation set, with round cover **NEW**

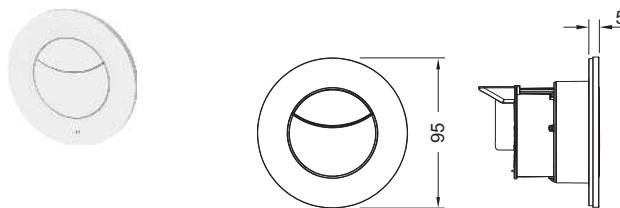
Pneumatic remote release for TECE cisterns for decentralised actuation of the cistern in combination with a manual TECE flush plate or an inspection panel. For use in solid and dry-wall construction or furniture installation. Compatible with insert chute for cleaning tablets.

Dimensions (W x H x D): 95 x 95 x 5 mm

Consisting of: very flat design cover plate in round design, large and small button and the pneumatic actuation unit

Caution:

Can only be used in combination with the TECEflushpoint pneumatic remote release shell set 9240976 or Octa 9240977 (please order separately).



Colour	Order No.		DU 1
White	9240981*	NEW	1 pc.
Bright chrome	9240982*	NEW	1 pc.
Matte chrome	9240983*	NEW	1 pc.

TECEflushpoint pneumatic remote release for single-flush system, fine installation set, with square cover **NEW**

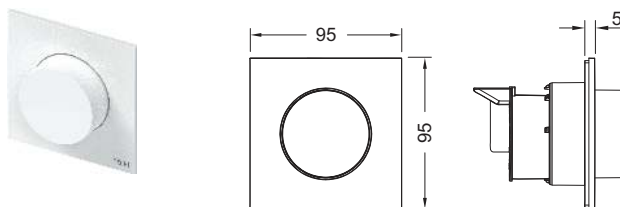
Pneumatic remote release for TECE cisterns for decentralised actuation of the cistern in combination with a manual TECE flush plate or an inspection panel. For use in solid and dry-wall construction or furniture installation. Compatible with insert chute for cleaning tablets.

Dimensions (W x H x D): 95 x 95 x 5 mm

Consisting of: very flat design cover plate in square design, large protruding button and the pneumatic actuation unit

Caution:

Can only be used in combination with the TECEflushpoint pneumatic remote release shell set 9240976 or Octa 9240977 (please order separately).



Colour	Order No.		DU 1
White	9240984*	NEW	1 pc.

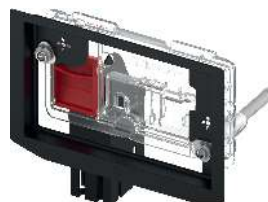
TECE insert chute for cleaning tablets

For inserting toilet cleaning tablets into TECE standard cistern (installation depth 13 cm). In combination with all TECE flush plates or TECElux glass facing with actuation unit, for front installation. Suitable for flush-mounted installation. All TECE flush plates can be retrofitted.

In brick-wall construction, to be used as of 16 mm wall thickness.
Maximum brick-wall construction thickness: 60 mm dry-wall construction, 75 mm brick-wall construction.

Caution:

The cleaning tablets used must not contain chlorine or any other oxidizing substances.



Order No.	DU 1
9240950*	1 pc.

Extension set for TECE toilet flush plates

For extending attachment and actuation rods by max. 12 cm.

Order No.	DU 1
9820030	1 pc.



Extension set for flush-mounted installation of installation frame

4 adjustment bolts 18-33 mm incl. safety washer, for toilet, urinal and TECEfilo installation frame.

Order No.	DU 1
9820181	1 pc.

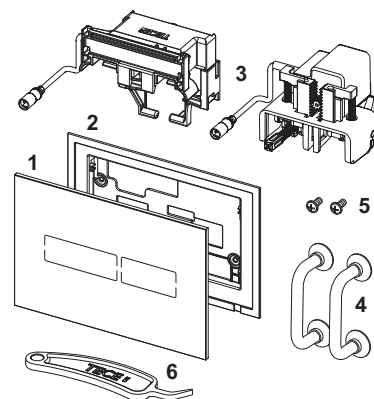


Toilet flush plate – Spare parts

Flush plates

TECElux Mini flush plate with electronic touchless actuation

Pos.	Order No.	Designation	DU 1
1	9820369	Cover plate white glass	1 pc.
	9820370	Cover plate black glass	1 pc.
2	9820397	Support frame	1 pc.
3	9820284	Actuation motor	1 pc.
	9820493*	Actuation motor for TECE cistern (installation depth 13 and 8 cm) NEW	1 pc.
4	9820180	Bow-type handles	1 pc.
5	9820263	Fastening screws	1 pc.
6	9820390	Dismounting and programming key	1 pc.



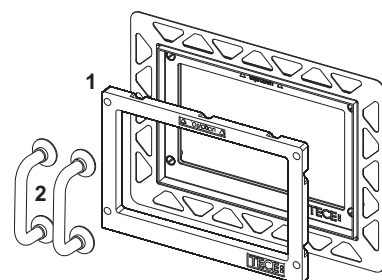
9240970 – TECElux Mini transformer incl. connection cable

Pos.	Order No.	Designation	DU 1
1	9820352	Connection cable (5 meters)	1 pc.



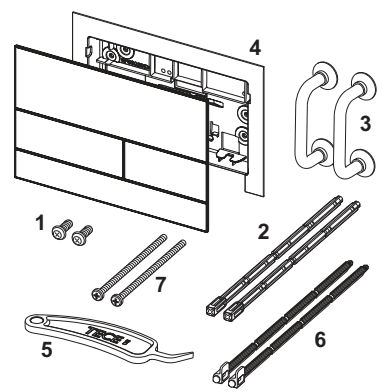
Toilet installation frame for flush-mounted installation

Pos.	Order No.	Designation	DU 1
1	9820196	Toilet support frame for flush-mounted installation	1 pc.
2	9820180	Bow-type handles	1 pc.



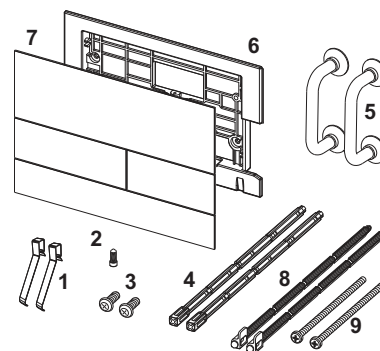
TECESquare II metal toilet flush plate for dual-flush system with coloured PVD surface TECESquare II metal toilet flush plate for dual-flush system

Pos.	Order No.	Designation	DU 1
1	9820263	Fastening screws	1 pc.
2	9820022	Actuation rods	1 pc.
3	9820180	Bow-type handles	1 pc.
4	9820347	Support frame	1 pc.
5	9820390	Dismounting and programming key	1 pc.
6	9820498	“Easy fit” actuation rods NEW	1 pc.
7	9820497	“Easy fit” attachment screws NEW	1 pc.



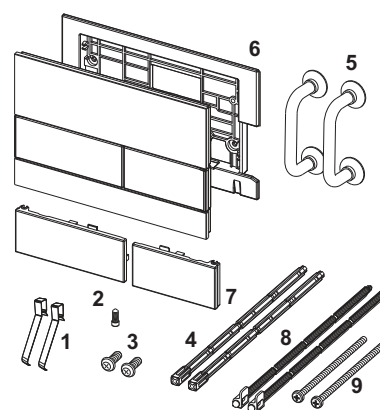
TECESquare metal toilet flush plate for dual-flush system

Pos.	Order No.	Designation	DU	1
1	9820253	Push-button springs, set of two	1	pc.
2	9820249	Safety bolt	1	pc.
3	9820263	Fastening screws	1	pc.
4	9820022	Actuation rods	1	pc.
5	9820180	Bow-type handles	1	pc.
6	9820328	Support frame	1	pc.
7	9820391	TECESquare metal stainless steel	1	pc.
	9820392	TECESquare metal chrome gloss	1	pc.
	9820393	TECESquare metal white	1	pc.
8	9820498	“Easy fit” actuation rods	NEW	1 pc.
9	9820497	“Easy fit” attachment screws	NEW	1 pc.



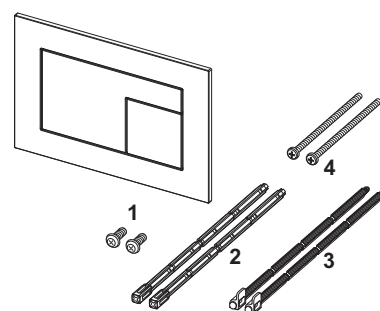
TECESquare glass toilet flush plate for dual-flush system

Pos.	Order No.	Designation	DU	1
1	9820253	Push-button springs, set of two	1	pc.
2	9820249	Safety bolt	1	pc.
3	9820263	Fastening screws	1	pc.
4	9820022	Actuation rods	1	pc.
5	9820180	Bow-type handles	1	pc.
6	9820328	Support frame	1	pc.
7	9820557	Flush buttons white	1	pc.
	9820559	Flush buttons, brushed stainless steel look	1	pc.
	9820558	Flush buttons, bright chrome	1	pc.
	9820560	Flush buttons black	1	pc.
8	9820498	“Easy fit” actuation rods	NEW	1 pc.
9	9820497	“Easy fit” attachment screws	NEW	1 pc.



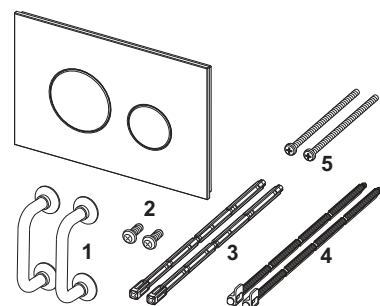
TECEvelvet toilet flush plate for dual-flush system

Pos.	Order No.	Designation	DU	1
1	9820263	Fastening screws	1	pc.
2	9820022	Actuation rods	1	pc.
3	9820498	“Easy fit” actuation rods	NEW	1 pc.
4	9820497	“Easy fit” attachment screws	NEW	1 pc.



TECEloop toilet flush plate for dual-flush system

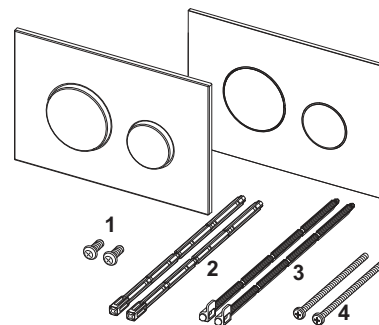
Pos.	Order No.	Designation	DU	1
1	9820180	Bow-type handles	1	pc.
2	9820263	Fastening screws	1	pc.
3	9820022	Actuation rods	1	pc.
4	9820498	“Easy fit” actuation rods	NEW	1 pc.
5	9820497	“Easy fit” attachment screws	NEW	1 pc.



Toilet flush plate – Spare parts

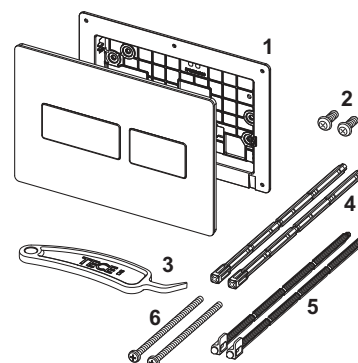
TECEloop plastic toilet flush plate for dual-flush system

Pos.	Order No.	Designation	DU	1
1	9820263	Fastening screws		1 pc.
2	9820022	Actuation rods		1 pc.
3	9820498	“Easy fit” actuation rods	NEW	1 pc.
4	9820497	“Easy fit” attachment screws	NEW	1 pc.



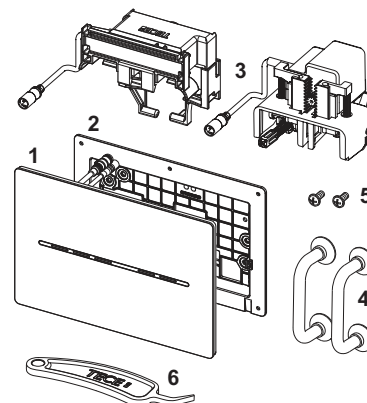
TECESolid toilet flush plate for dual-flush system

Pos.	Order No.	Designation	DU	1
1	9820426	Attachment frame		1 pc.
2	9820263	Fastening screws		1 pc.
3	9820390	Dismounting and programming key		1 pc.
4	9820022	Actuation rods		1 pc.
5	9820498	“Easy fit” actuation rods	NEW	1 pc.
6	9820497	“Easy fit” attachment screws	NEW	1 pc.



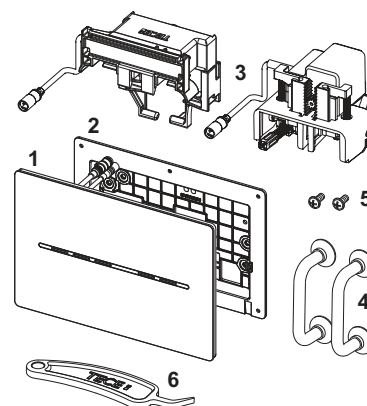
TECESolid WC electronics with touchless actuation, 6 V battery

Pos.	Order No.	Designation	DU	1
1	9820479	Cover plate bright chrome	NEW	1 pc.
	9820480	Cover plate bright white	NEW	1 pc.
	9820481	Cover plate white matt	NEW	1 pc.
	9820478	Cover plate brushed stainless steel (with anti-fingerprint)	NEW	1 pc.
2	9820426	Attachment frame		1 pc.
3	9820284	Actuation motor		1 pc.
	9820493*	Actuation motor for TECE cistern (installation depth 13 and 8 cm)	NEW	1 pc.
4	9820180	Bow-type handles		1 pc.
5	9820263	Fastening screws		1 pc.
6	9820390	Dismounting and programming key		1 pc.



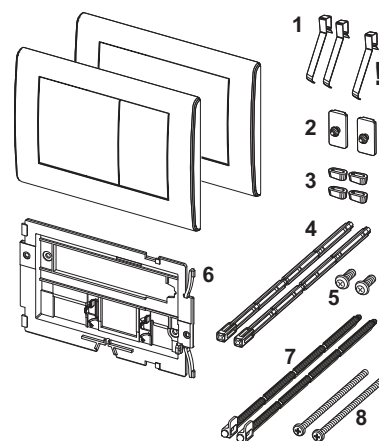
TECESolid WC electronics with touchless actuation, 12 V mains

Pos.	Order No.	Designation	DU	1
1	9820475	Cover plate bright chrome	NEW	1 pc.
	9820476	Cover plate bright white	NEW	1 pc.
	9820477	Cover white matt	NEW	1 pc.
	9820474	Cover plate brushed stainless steel (with anti-fingerprint)	NEW	1 pc.
2	9820426	Attachment frame		1 pc.
3	9820284	Actuation motor		1 pc.
	9820493*	Actuation motor for TECE cistern (installation depth 13 and 8 cm)	NEW	1 pc.
4	9820180	Bow-type handles		1 pc.
5	9820263	Fastening screws		1 pc.
6	9820390	Dismounting and programming key		1 pc.



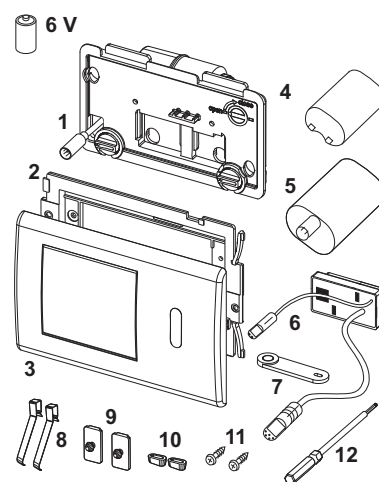
TECEplanus toilet flush plate for dual-flush system TECEplanus toilet flush plate for single-flush system

Pos.	Order No.	Designation	DU 1
1	9820020	Push-button springs, set of two	1 pc.
2	9820021	Locking rubber	1 pc.
3	9820024	Rubber buffer, set of two	1 pc.
4	9820022	Actuation rods	1 pc.
5	9820263	Fastening screws	1 pc.
6	9820327	Support frame	1 pc.
7	9820498	“Easy fit” actuation rods	NEW 1 pc.
8	9820497	“Easy fit” attachment screws	NEW 1 pc.



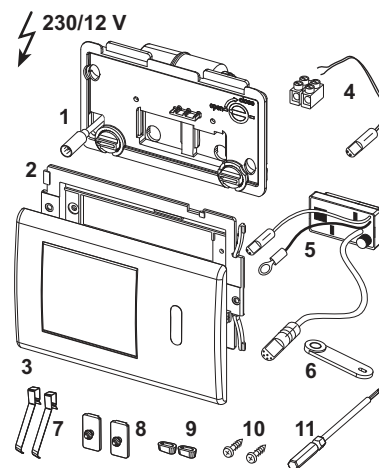
TECEplanus toilet electronics with IR sensor, 6 V battery

Pos.	Order No.	Designation	DU 1
1	9820140	Motor with splash guard	1 pc.
2	9820327	Support frame	1 pc.
3	9820199	Flush plate, brushed stainless steel	1 pc.
	9820200	Flush plate, bright chrome	1 pc.
4	9820092	6 V battery 2CR5	1 pc.
5	9820195	Battery housing	1 pc.
6	9820198	IR sensor, 6 V	1 pc.
7	9820080	Programming key	1 pc.
8	9820020	Push-button springs, set of two	1 pc.
9	9820021	Locking rubber	1 pc.
10	9820024	Rubber buffer, set of two	1 pc.
11	9820263	Fastening screws	1 pc.
12	9820091	Hollow hexagon wrench	1 pc.



TECEplanus toilet electronics with IR sensor, 12 V mains

Pos.	Order No.	Designation	DU 1
1	9820140	Motor with splash guard	1 pc.
2	9820327	Support frame	1 pc.
3	9820199	Flush plate, brushed stainless steel	1 pc.
	9820200	Flush plate, bright chrome	1 pc.
4	9820094	Mains connection adapter	1 pc.
5	9820201	IR sensor, 12 V	1 pc.
6	9820080	Programming key	1 pc.
7	9820020	Push-button springs, set of two	1 pc.
8	9820021	Locking rubber	1 pc.
9	9820024	Rubber buffer, set of two	1 pc.
10	9820263	Fastening screws	1 pc.
11	9820091	Hollow hexagon wrench	1 pc.

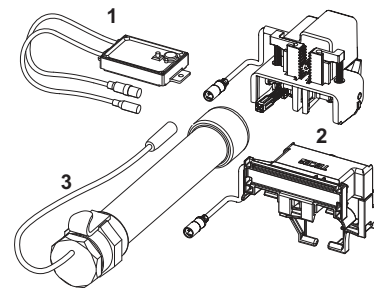


Toilet flush plate – Spare parts

9240354 – TECEplanus toilet remote release for safety arm support, 6 V battery

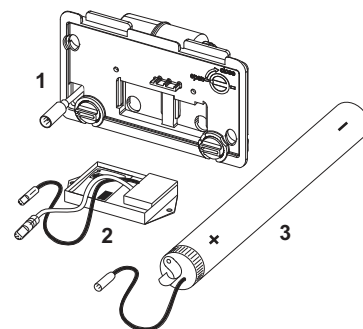
Valid from: September 2019

Pos.	Order No.	Designation	DU	1
1	9820459	Radio electronics battery and mains (from 09/2019)	1 pc.	
2	9820284	Actuation motor	1 pc.	
	9820493*	Actuation motor for TECE cistern (installation depth 13 and 8 cm)	NEW	1 pc.
3	9820202	Battery housing, long		1 pc.



Valid till: August 2019

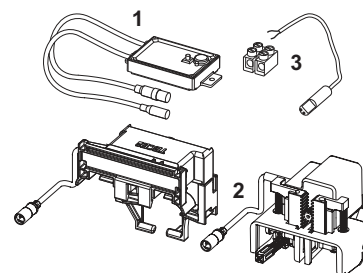
Pos.	Order No.	Designation	DU	1
1	9820140	Motor with splash guard	1 pc.	
2	9820203	Radio electronics 6 V (until 08/2019)	1 pc.	
3	9820202	Battery housing, long		1 pc.



9240355 – TECEplanus toilet remote release for safety arm support, 12 V mains

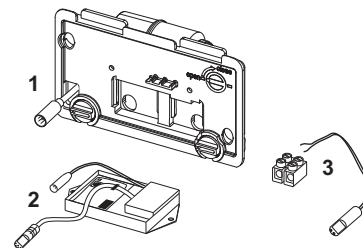
Valid from: September 2019

Pos.	Order No.	Designation	DU	1
1	9820459	Radio electronics battery and mains (from 09/2019)	1 pc.	
2	9820284	Actuation motor	1 pc.	
	9820493*	Actuation motor for TECE cistern (installation depth 13 and 8 cm)	NEW	1 pc.
3	9820094	Mains connection adapter		1 pc.



Valid till: August 2019

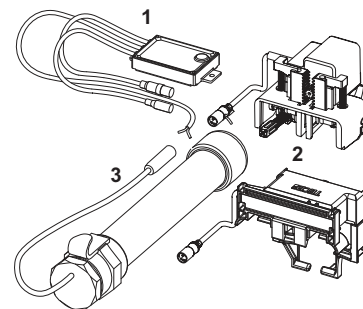
Pos.	Order No.	Designation	DU	1
1	9820140	Motor with splash guard	1 pc.	
2	9820204	Radio electronics 12 V (until 08/2019)	1 pc.	
3	9820094	Mains connection adapter		1 pc.



9240356 – TECEplanus toilet remote release for cable-connected electronic buttons, 6 V battery

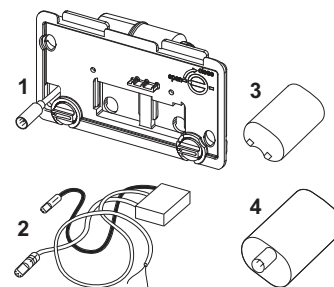
Valid from: January 2020

Pos.	Order No.	Designation	DU	1
1	9820460	Electronics, battery and mains (from 01/2020), cable-connected	1 pc.	
2	9820284	Actuation motor	1 pc.	
	9820493*	Actuation motor for TECE cistern (installation depth 13 and 8 cm)	NEW	1 pc.
3	9820202	Battery housing, long		1 pc.



Valid till: December 2019

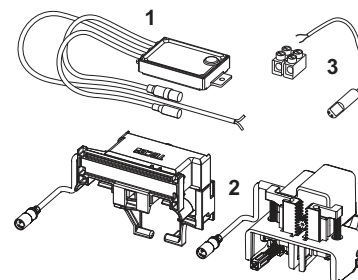
Pos.	Order No.	Designation	DU 1
1	9820140	Motor with splash guard	1 pc.
2	9820205	Electronics 6 V, cable-connected (until 12/2019)	1 pc.
3	9820092	6 V battery 2CR5	1 pc.
4	9820195	Battery housing	1 pc.



9240357 – TECEplanus toilet remote release for cable-connected electronic buttons, 12 V mains

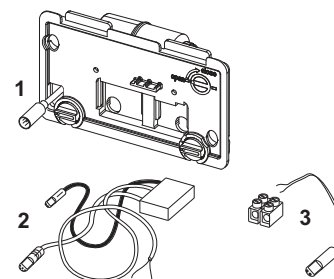
Valid from: January 2020

Pos.	Order No.	Designation	DU 1
1	9820460	Electronics, battery and mains (from 01/2020), cable-connected	1 pc.
2	9820284	Actuation motor	1 pc.
	9820493*	Actuation motor for TECE cistern (installation depth 13 and 8 cm)	NEW 1 pc.
3	9820094	Mains connection adapter	1 pc.



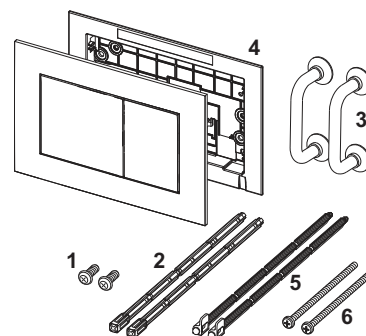
Valid till: December 2019

Pos.	Order No.	Designation	DU 1
1	9820140	Motor with splash guard	1 pc.
2	9820206	Electronics 12 V cable-connected (until 12/2019)	1 pc.
3	9820094	Mains connection adapter	1 pc.



TECEnow toilet flush plate for dual-flush system

Pos.	Order No.	Designation	DU 1
1	9820263	Fastening screws	1 pc.
2	9820022	Actuation rods	1 pc.
3	9820180	Bow-type handles	1 pc.
4	9820346	Support frame	1 pc.
5	9820498	“Easy fit” actuation rods	NEW 1 pc.
6	9820497	“Easy fit” attachment screws	NEW 1 pc.



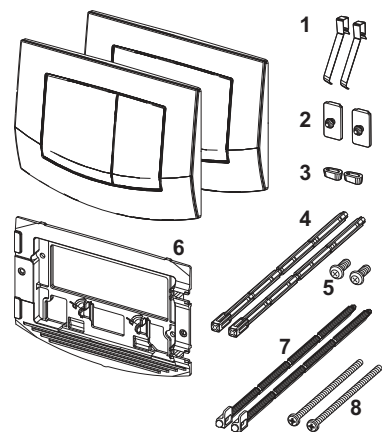
* Expected availability: July 2021

Toilet flush plate – Spare parts

Flush plates

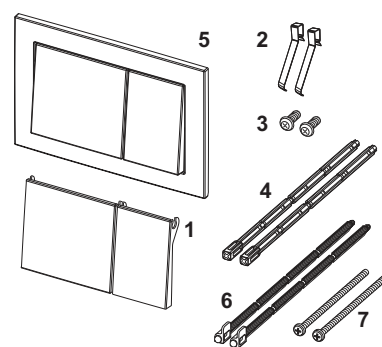
TECEambia toilet flush plate for dual-flush system
 TECEambia toilet flush plate for single-flush system

Pos.	Order No.	Designation	DU 1
1	9820020	Push-button springs, set of two	1 pc.
2	9820021	Locking rubber	1 pc.
3	9820024	Rubber buffer, set of two	1 pc.
4	9820022	Actuation rods	1 pc.
5	9820263	Fastening screws	1 pc.
6	9820326	Support frame	1 pc.
7	9820498	“Easy fit” actuation rods	NEW 1 pc.
8	9820497	“Easy fit” attachment screws	NEW 1 pc.



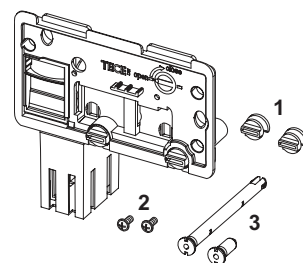
TECEbase toilet flush plate for dual-flush system

Pos.	Order No.	Designation	DU 1
1	9820241	Button set, white	1 pc.
2	9820020	Push-button springs, set of two	1 pc.
3	9820263	Fastening screws	1 pc.
4	9820022	Actuation rods	1 pc.
6	9820498	“Easy fit” actuation rods	NEW 1 pc.
7	9820497	“Easy fit” attachment screws	NEW 1 pc.



9240950 – TECE insert chute for cleaning tablets

Pos.	Order No.	Designation	DU 1
1	9820191	Clamping screws set	1 pc.
2	9820263	Fastening screws	1 pc.
3	9820349	Guide rods for insert chute	1 pc.





Sanitary Systems

URINAL FLUSH PLATES

ASSORTMENT LIST 2021

	Page
TECEfilo electronic flushing systems	90
TECEsquare	96
TECEloop	98
TECEsolid	100
TECEplanus	101
TECEplanus electronic flushing systems	102
TECEnow	104
TECEambia	105
Accessories	106
Spare parts	107

Urinal flush plate – TECEfilo electronic flushing systems

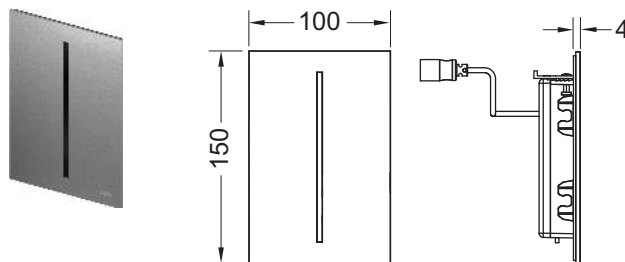
TECEfilo stainless steel urinal electronics 230 V mains electr.

Fine assembly set for contactless infrared flush device, suitable for TECE urinal flush valve housing U 2; usable from 0.5 bar minimum flow pressure; flush time, water-saving pause function, function for cover urinals, cleaning mode, pre-flush and hygiene flush can be set.

Consisting of:

- Magnetic valve with dirt filter
- Extra-flat screw-down cover panel with sensor field
- Attachment hardware
- Programming key

Dimensions (W x H x D): 100 x 150 x 4 mm



Colour	Exhibition samples	Order No.	DU 1	DU 2
Brushed stainless steel (with anti-fingerprint)	Yes	9242070	1 pc.	10 pc.

Information on exhibits is available in the section "Exhibition samples".

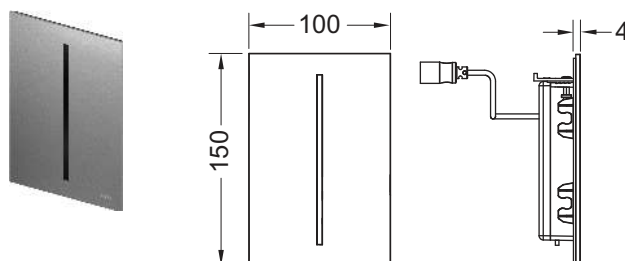
TECEfilo urinal electronics, stainless steel 7.2 V battery

Fine assembly set for contactless infrared flush device, suitable for TECE urinal flush valve housing U 2; usable from 0.5 bar minimum flow pressure; flush time, water-saving pause function, function for cover urinals, cleaning mode, pre-flush and hygiene flush can be set.

Consisting of:

- Magnetic valve with dirt filter
- Extra-flat screw-down cover panel with sensor field
- Attachment hardware
- Programming key
- Batterie 7,2 V (2 x R6 - AA (3,6 V))

Dimensions (W x H x D): 100 x 150 x 4 mm



Colour	Exhibition samples	Order No.	DU 1	DU 2
Brushed stainless steel (with anti-fingerprint)	Yes	9242071	1 pc.	10 pc.

Information on exhibits is available in the section "Exhibition samples".

Urinal flush plate – TECEfilo electronic flushing systems

TECEfilo urinal electronics, glass 230 V mains electr.

Fine assembly set for contactless infrared flush device, suitable for TECE urinal flush valve housing U 2; usable from 0.5 bar minimum flow pressure; flush time, water-saving pause function, function for cover urinals, cleaning mode, pre-flush and hygiene flush can be set.

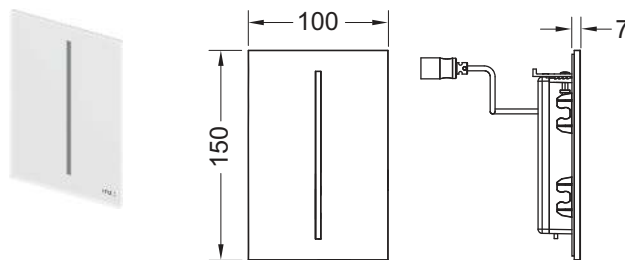
Consisting of:

- Magnetic valve with dirt filter
- Flat screw-down cover panel with sensor field
- Attachment hardware
- Programming key

Suitable for flush-mounted installation together with the TECEfilo installation frame.

Dimensions (W x H x D): 100 x 150 x 7 mm

TECEfilo installation frame for flush-mounted installation not contained in the scope of delivery.



Colour	Exhibition samples	Order No.	DU 1	DU 2
White glass	Yes	9242060	1 pc.	10 pc.
Black glass	—	9242062	1 pc.	10 pc.

Information on exhibits is available in the section "Exhibition samples".

TECEfilo urinal electronics, glass 7.2 V battery

Fine assembly set for contactless infrared flush device, suitable for TECE urinal flush valve housing U 2; usable from 0.5 bar minimum flow pressure; flush time, water-saving pause function, function for cover urinals, cleaning mode, pre-flush and hygiene flush can be set.

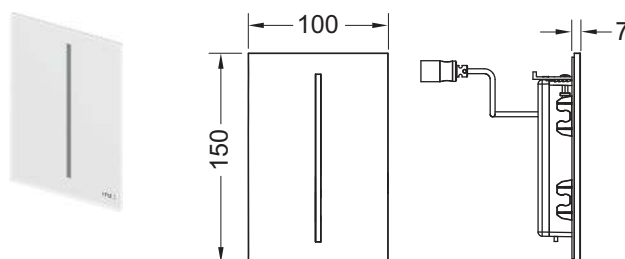
Consisting of:

- Magnetic valve with dirt filter
- Flat screw-down cover panel with sensor field
- Attachment hardware
- Programming key
- Battery 7,2 V (2 x R6 - AA (3,6 V))

Suitable for flush-mounted installation together with the TECEfilo installation frame.

Dimensions (W x H x D): 100 x 150 x 7 mm

TECEfilo installation frame for flush-mounted installation not contained in the scope of delivery.



Colour	Exhibition samples	Order No.	DU 1	DU 2
White glass	Yes	9242061	1 pc.	10 pc.
Black glass	—	9242063	1 pc.	10 pc.

Information on exhibits is available in the section "Exhibition samples".

Urinal flush plate – TECEfilo electronic flushing systems

TECEfilo-Velvet urinal electronics 230 V mains

NEW

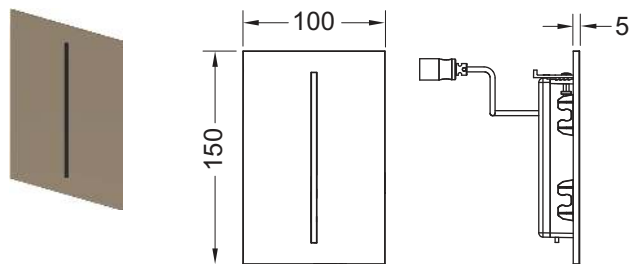
Fine assembly set for touch-free infrared flush device with FENIX surface (FENIX® by Arpa Industriale), suitable for TECE urinal flush valve housing U 2; usable from 0.5 bar minimum flow pressure; screws on covertly.

Flush time, water-saving pause function, function for cover urinals, cleaning function, pre-flush and hygiene flush can be set.

Consisting of:

- Magnetic valve with dirt filter
- Very flat, screw-down FENIX cover panel with sensor field
- Mounting materials
- Programming key

Dimensions (W x H x D): 100 x 150 x 5 mm



Colour	Suitable for	Exhibition samples	Order No.	NEW	DU 1
Bianco Kos / White	FENIX® by Arpa Industriale	—	9242019	NEW	1 pc.
Nero Ingo / Black	FENIX® by Arpa Industriale	—	9242025	NEW	1 pc.
Castoro Ottawa / Beige-Brown	FENIX® by Arpa Industriale	Yes	9242021	NEW	1 pc.
Beige Arizona / Greige	FENIX® by Arpa Industriale	—	9242027	NEW	1 pc.
Grigio Londra / Anthracite	FENIX® by Arpa Industriale	Yes	9242023	NEW	1 pc.
Grigio Efeso / Stone grey	FENIX® by Arpa Industriale	—	9242029	NEW	1 pc.

Information on exhibits is available in the section "Exhibition samples".

TECEfilo-Velvet urinal electronics 7.2 V battery

NEW

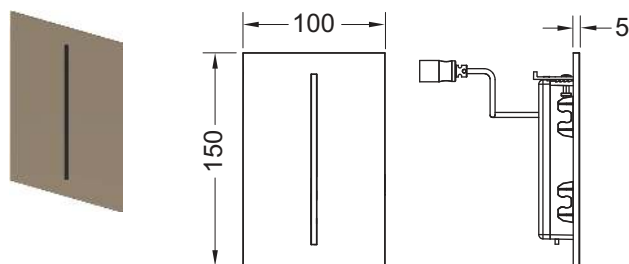
Fine assembly set for touch-free infrared flush device with FENIX surface (FENIX® by Arpa Industriale), suitable for TECE urinal flush valve housing U 2; usable from 0.5 bar minimum flow pressure; screws on covertly.

Flush time, water-saving pause function, function for cover urinals, cleaning function, pre-flush and hygiene flush can be set.

Consisting of:

- Magnetic valve with dirt filter
- Very flat, screw-down FENIX cover panel with sensor field
- Mounting materials
- Programming key
- Battery 7,2 V (2 x R6 - AA (3,6 V))

Dimensions (W x H x D): 100 x 150 x 5 mm



Colour	Suitable for	Exhibition samples	Order No.	NEW	DU 1
Bianco Kos / White	FENIX® by Arpa Industriale	—	9242018	NEW	1 pc.
Nero Ingo / Black	FENIX® by Arpa Industriale	—	9242024	NEW	1 pc.
Castoro Ottawa / Beige-Brown	FENIX® by Arpa Industriale	Yes	9242020	NEW	1 pc.
Beige Arizona / Greige	FENIX® by Arpa Industriale	—	9242026	NEW	1 pc.
Grigio Londra / Anthracite	FENIX® by Arpa Industriale	Yes	9242022	NEW	1 pc.
Grigio Efeso / Stone grey	FENIX® by Arpa Industriale	—	9242028	NEW	1 pc.

Information on exhibits is available in the section "Exhibition samples".

Urinal flush plate – TECEfilo electronic flushing systems

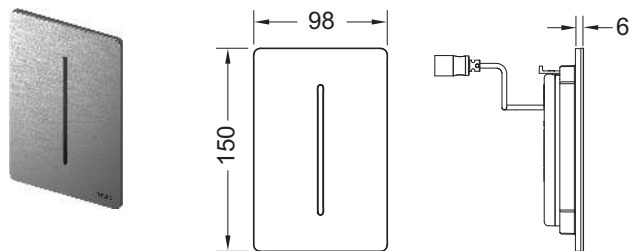
TECEfilo-Solid urinal electronics 230 V mains

Fine assembly set for contactless infrared flush device, suitable for TECE urinal flush valve housing U 2;
usable from 0.5 bar minimum flow pressure; screws on covertly.
Flush time, water-saving pause function, function for cover urinals, cleaning function, pre-flush and hygiene flush can be set.

Consisting of:

- Magnetic valve with dirt filter
- Very flat screw-down metal cover panel with sensor field
- Attachment hardware
- Programming key

Dimensions (W x H x D): 100 x 150 x 6 mm



Colour	Exhibition samples	Order No.	DU 1
Bright white	—	9242032	1 pc.
White matt	—	9242036	1 pc.
Brushed stainless steel	—	9242030	1 pc.
Brushed stainless steel (with anti-fingerprint)	Yes	9242037	1 pc.
Bright chrome	—	9242031	1 pc.
Black matt	—	9242043	NEW 1 pc.

Information on exhibits is available in the section "Exhibition samples".

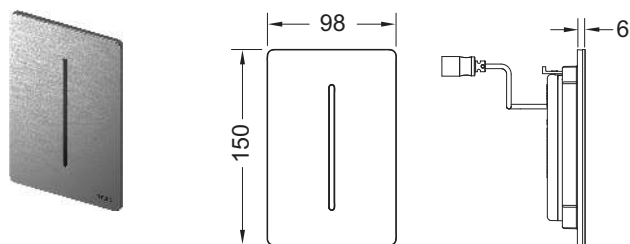
TECEfilo-Solid urinal electronics 7.2 V battery

Fine assembly set for contactless infrared flush device, suitable for TECE urinal flush valve housing U 2;
usable from 0.5 bar minimum flow pressure; screws on covertly.
Flush time, water-saving pause function, function for cover urinals, cleaning function, pre-flush and hygiene flush can be set.

Consisting of:

- Magnetic valve with dirt filter
- Very flat screw-down metal cover panel with sensor field
- Attachment hardware
- Programming key
- Battery 7,2 V (2 x R6 - AA (3,6 V))

Dimensions (W x H x D): 100 x 150 x 6 mm



Colour	Exhibition samples	Order No.	DU 1
Bright white	—	9242035	1 pc.
White matt	—	9242038	1 pc.
Brushed stainless steel	—	9242033	1 pc.
Brushed stainless steel (with anti-fingerprint)	Yes	9242039	1 pc.
Bright chrome	—	9242034	1 pc.
Black matt	—	9242044	NEW 1 pc.

Information on exhibits is available in the section "Exhibition samples".

Urinal flush plate – TECEfilo electronic flushing systems

TECEfilo plastic urinal electronics 230 V mains electr.

Fine assembly set for contactless infrared flush device, suitable for TECE urinal flush valve housing U 2; usable from 0.5 bar minimum flow pressure; flush time, water-saving pause function, function for cover urinals, cleaning mode, pre-flush and hygiene flush can be set.

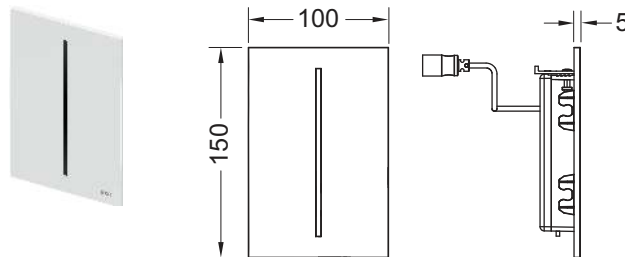
Consisting of:

- Magnetic valve with dirt filter
- Extra-flat screw-down cover panel with sensor field
- Attachment hardware
- Programming key

Suitable for flush-mounted installation together with the TECEfilo installation frame.

Dimensions (W x H x D): 100 x 150 x 5 mm

TECEfilo installation frame for flush-mounted installation not contained in the scope of delivery.



Colour	Exhibition samples	Order No.	DU 1	DU 2
White	Yes	9242050	1 pc.	10 pc.
Bright chrome	Yes	9242054	1 pc.	10 pc.

Information on exhibits is available in the section "Exhibition samples".

TECEfilo plastic urinal electronics 7.2 V battery

Fine assembly set for contactless infrared flush device, suitable for TECE urinal flush valve housing U 2; usable from 0.5 bar minimum flow pressure; flush time, water-saving pause function, function for cover urinals, cleaning mode, pre-flush and hygiene flush can be set.

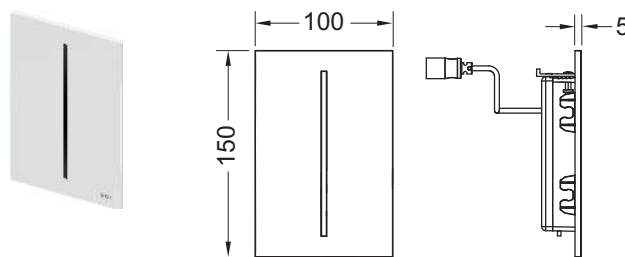
Consisting of:

- Magnetic valve with dirt filter
- Extra-flat screw-down cover panel with sensor field
- Attachment hardware
- Programming key
- Battery 7,2 V (2 x R6 - AA (3,6 V))

Suitable for flush-mounted installation together with the TECEfilo installation frame.

Dimensions (W x H x D): 100 x 150 x 5 mm

TECEfilo installation frame for flush-mounted installation not contained in the scope of delivery.



Colour	Exhibition samples	Order No.	DU 1	DU 2
White	Yes	9242051	1 pc.	10 pc.
Bright chrome	Yes	9242055	1 pc.	10 pc.

Information on exhibits is available in the section "Exhibition samples".

Urinal flush plate – TECEfilo electronic flushing systems

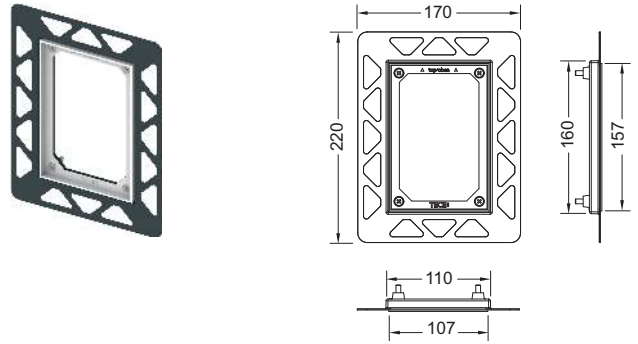
TECEfilo installation frame for flush-mounted installation

Installation set for flush-mounted assembly of TECEfilo glass, TECEfilo plastic and TECEfilo-Velvet urinal electronics in a dry-wall. Depth-adjustable tile frame for wall coverings from 5-18 mm (from 18-33 mm with adjustment bolt - Order No. 9820181). Including disassembly tool for cover panel.

Required for shell installation.

Warning:

For dry-wall installation only. To obtain a clean edge, please use a water jet cutter to prepare the tile cut-out.



Colour	Order No.	DU 1
Bright chrome	9242040	1 pc.
White	9242041	1 pc.
Black	9242042	1 pc.

Urinal flush plate – TECESquare

TECESquare metal urinal flush plate including cartridge

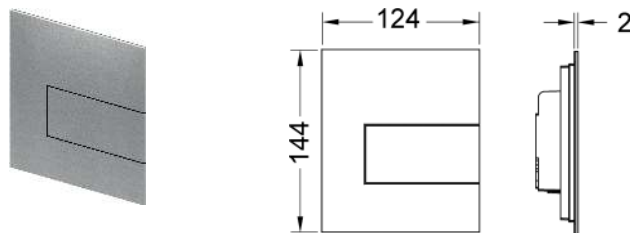
Fine assembly set for TECE flush valve housing U 1;
 Flush valve categories 1.5 and 4 (EN 12541);
 Adjustable flush volume 1, 2 or 4 litres;
 Usable from 0.5 bar minimum flow pressure.

Consisting of:

- Flush valve cartridge
- Extremely flat metal flush plate, installation height 2 mm
- Actuation rod and mounting materials

Dimensions (W x H x D): 124 x 144 x 2 mm

Installation only in combination with the urinal installation frame (Order No. 9242647), please order separately!



Colour	Exhibition samples	Order No.		DU 1	DU 2
Brushed stainless steel (with anti-fingerprint)	Yes	9242810		1 pc.	10 pc.
Bright chrome	Yes	9242811		1 pc.	10 pc.
Bright white	Yes	9242812		1 pc.	10 pc.
Black matt	—	9242813	NEW	1 pc.	10 pc.
White matt	—	9242814	NEW	1 pc.	10 pc.

Information on exhibition samples can be found in the "Exhibition samples" section.

TECESquare glass urinal flush plate including cartridge

Fine assembly set for TECE flush valve housing U 1;
 Flush valve categories 1.5 and 4 (EN 12541);
 Adjustable flush volume 1, 2 or 4 litres;
 Usable from 0.5 bar minimum flow pressure.

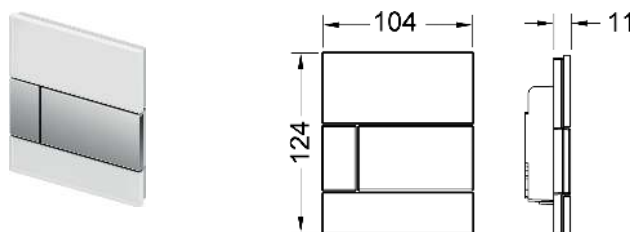
Consisting of:

- Flush valve cartridge with automatic jet cleaning needle
- Flat glass flush plate
- Actuation rod and mounting material

Suitable for flush-mounted installation in combination with urinal installation frame.

Dimensions (W x H x D): 104 x 124 x 11 mm

Urinal installation frame for flush-mounted installation (Order No. 9242647) not contained in the scope of delivery.



Colour	Exhibition samples	Order No.		DU 1	DU 2
White glass, white button	Yes	9242800		1 pc.	15 pc.
White glass, brushed stainless steel look button (with anti-fingerprint)	—	9242801		1 pc.	15 pc.
White glass, bright chrome button	Yes	9242802		1 pc.	15 pc.
Mint green glass, white button	—	9242803		1 pc.	15 pc.
Mint green glass, brushed stainless steel look button (with anti-fingerprint)	—	9242804		1 pc.	15 pc.
Mint green glass, bright chrome button	—	9242805		1 pc.	15 pc.
Black glass, brushed stainless steel look button (with anti-fingerprint)	Yes	9242806		1 pc.	15 pc.
Black glass, bright chrome button	—	9242807		1 pc.	15 pc.
Black glass, gold button	—	9242808		1 pc.	15 pc.
Black glass, black button	—	9242809		1 pc.	15 pc.

Information on exhibits is available in the section "Exhibition samples".

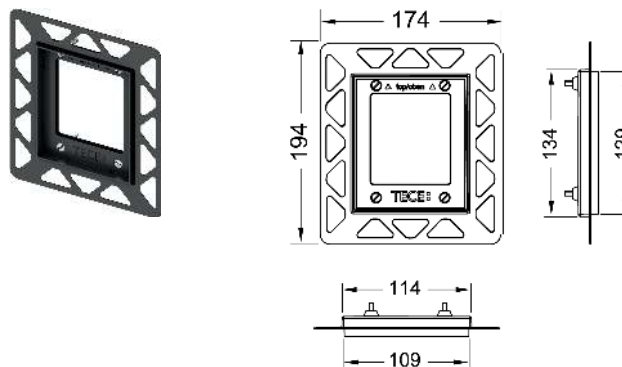
Urinal installation frame for flush-mounted installation

Installation kit for flush-mounted installation of the urinal flush plate TECEnow/TECEloop/TECESquare glass and for the installation of TECESquare metal in a dry-wall construction. Depth-adjustable tile frame for wall coverings from 5-18 mm (from 18-33 mm with adjustment bolt 9820181). Incl. disassembly tool for flush plate.

Required during shell assembly.

Caution: For dry-wall installation only!

To obtain a clean edge, please use a water jet cutter to prepare the tile cut-out.



Colour	Exhibition samples	Order No.	DU 1	DU 2
White	—	9242646	1 pc.	40 pc.
Black	—	9242647	1 pc.	40 pc.
Bright chrome	Yes	9242649	1 pc.	40 pc.
Gold plated	—	9242648	1 pc.	40 pc.

Information on exhibits is available in the section "Exhibition samples".

Urinal flush plate – TECEloop

TECEloop glass urinal flush plate including cartridge

Fine assembly set for TECE flush valve housing U 1; flush valve category 1.5 and 4 (EN 12541); adjustable flush volume 1, 2 or 4 litres; usable from 0.5 bar minimum flow pressure.

Consisting of:

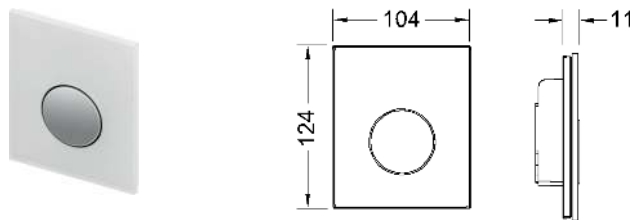
- Flush valve cartridge
- Flat glass flush plate
- Actuation rod and mounting materials

Suitable for flush-mounted installation in combination with the urinal installation frame.

Dimensions (W x H x D): 104 x 124 x 11 mm

Urinal installation frame for flush-mounted installation

(Order No. 9242649) not contained in the scope of delivery.



Colour	Exhibition samples	Order No.	DU 1	DU 2
White glass, white button	Yes	9242650	1 pc.	15 pc.
White glass, matte chrome button	Yes	9242659	1 pc.	15 pc.
White glass, bright chrome button	Yes	9242660	1 pc.	15 pc.
White glass, brushed stainless steel button (with anti-fingerprint)	—	9242661	1 pc.	15 pc.
Mint green glass, white button	—	9242651	SALE 1 pc.	15 pc.
Mint green glass, matte chrome button	—	9242652	SALE 1 pc.	15 pc.
Mint green glass, bright chrome button	—	9242653	SALE 1 pc.	15 pc.
Mint green glass, brushed stainless steel button (with anti-fingerprint)	—	9242662	SALE 1 pc.	15 pc.
Black glass, white button	Yes	9242654	1 pc.	15 pc.
Black glass, matte chrome button	Yes	9242655	1 pc.	15 pc.
Black glass, bright chrome button	Yes	9242656	1 pc.	15 pc.
Black glass, brushed stainless steel button (with anti-fingerprint)	—	9242663	1 pc.	15 pc.
Black glass, black button	Yes	9242657	1 pc.	15 pc.
Black glass, gold button	Yes	9242658	1 pc.	15 pc.

Information on exhibits is available in the section "Exhibition samples".

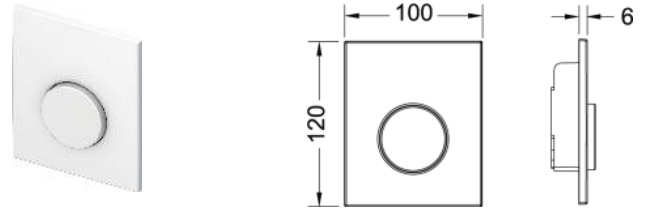
TECEloop plastic urinal flush plate including cartridge

Fine assembly set for TECE flush valve housing U 1;
 Flush valve categories 1.5 and 4 (EN 12541);
 Adjustable flush volume 1, 2 or 4 litres;
 Usable from 0.5 bar minimum flow pressure.

Consisting of:

- Flush valve cartridge
- Extremely flat plastic flush plate
- Actuation rod and mounting materials

Dimensions (W x H x D): 100 x 120 x 6 mm



Colour	Exhibition samples	Order No.	DU 1	DU 2
White	Yes	9242600	1 pc.	15 pc.
White, antibacterial	—	9242640	SALE 1 pc.	15 pc.
White, bright chrome button	Yes	9242627	1 pc.	15 pc.
Matte chrome	Yes	9242625	1 pc.	15 pc.
Bright chrome	Yes	9242626	1 pc.	15 pc.

Information on exhibition samples can be found in the "Exhibition samples" section.

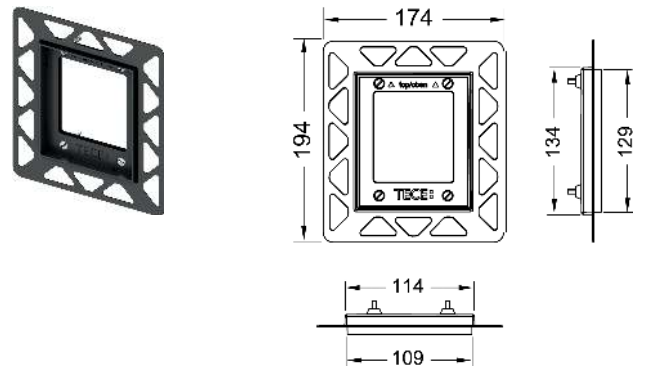
Urinal installation frame for flush-mounted installation

Installation kit for flush-mounted installation of the urinal flush plate TECEnow/TECEloop/TECEsquare glass and for the installation of TECEsquare metal in a dry-wall construction. Depth-adjustable tile frame for wall coverings from 5-18 mm (from 18-33 mm with adjustment bolt 9820181). Incl. disassembly tool for flush plate.

Required during shell assembly.

Caution: For dry-wall installation only!

To obtain a clean edge, please use a water jet cutter to prepare the tile cut-out.



Colour	Exhibition samples	Order No.	DU 1	DU 2
White	—	9242646	1 pc.	40 pc.
Black	—	9242647	1 pc.	40 pc.
Bright chrome	Yes	9242649	1 pc.	40 pc.
Gold plated	—	9242648	1 pc.	40 pc.

Information on exhibits is available in the section "Exhibition samples".

Urinal flush plate – TECEsolid

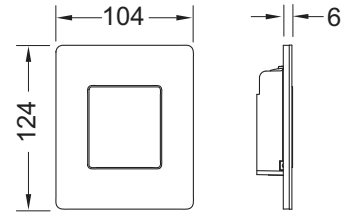
TECEsolid urinal flush plate including cartridge

Fine assembly set for TECE flush valve housing U 1; flush valve category 1.5 and 4 (DIN 12541); adjustable flush volume 1, 2 or 4 litres; usable from 0.5 bar minimum flow pressure; flush plate that screws in covertly.

Consisting of:

- Flush valve cartridge
- Especially flat flush plate made of metal, installation height 6 mm
- Actuation rod and mounting materials

Dimensions (W x H x D): 104 x 124 x 6 mm



Colour	Exhibition samples	Order No.	DU 1	DU 2
Bright white	—	9242432	1 pc.	15 pc.
White matt	—	9242433	1 pc.	15 pc.
Brushed stainless steel	—	9242430	1 pc.	15 pc.
Brushed stainless steel (with anti-fingerprint)	Yes	9242434	1 pc.	15 pc.
Bright chrome	—	9242431	1 pc.	15 pc.
Black matt	—	9242435	NEW 1 pc.	15 pc.

Information on exhibits is available in the section "Exhibition samples".

TECEsolid concealed screws

Concealed screw connection for anti-theft protection of TECEsolid flush plate, includes assembly tool.



Order No.	DU 1
9240442	1 pc.

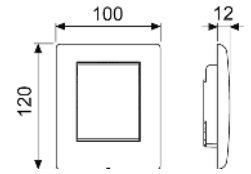
TECEplanus urinal flush plate including cartridge

Fine assembly set for TECE flush valve housing U 1;
 Flush valve categories 1.5 and 4 (EN 12541);
 Adjustable flush volume 1, 2 or 4 litres;
 Usable from 0.5 bar minimum flow pressure.

Consisting of:

- Flush valve cartridge
- Screwable stainless steel flush plate
- Actuation rod and mounting materials

Dimensions (W x H x D): 100 x 120 x 12 mm



Colour	Exhibition samples	Order No.	DU 1	DU 2
Silky matte white	Yes	9242312	1 pc.	15 pc.
Bright white	Yes	9242314	1 pc.	15 pc.
Brushed stainless steel	Yes	9242310	1 pc.	15 pc.
Bright chrome	Yes	9242311	1 pc.	15 pc.

Information on exhibition samples can be found in the "Exhibition samples" section.

Urinal flush plate – TECEplanus electronic flushing systems

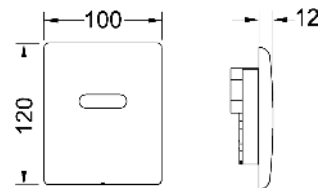
TECEplanus urinal electronics, 6 V battery

Fine assembly set for contactless infrared flush device, suitable for TECE urinal flush valve housing U 1; usable from 0.5 bar minimum flow pressure; flush time, water-saving pause function, cleaning mode, pre-flush and hygiene flush can be set.

Consisting of:

- Magnetic valve with dirt filter
- Battery 6 V (2CR5)
- Screw-down metal cover with sensor field
- Attachment hardware
- Programming key

Dimensions (W x H x D): 100 x 120 x 12 mm



Colour	Exhibition samples	Order No.	DU 1	DU 2
Silky matte white	Yes	9242354	1 pc.	10 pc.
Brushed stainless steel	Yes	9242350	1 pc.	10 pc.
Bright chrome	Yes	9242351	1 pc.	10 pc.
Bright white	—	9242356	1 pc.	10 pc.

Information on exhibits is available in the section "Exhibition samples".

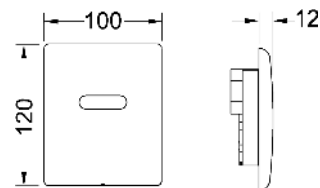
TECEplanus urinal electronics, 12 V mains

Fine assembly set for contactless infrared flush system. Suitable for TECE urinal flush valve housing. Usable from 0.5 bar minimum flow pressure. Flush time, water-saving stop function, cleaning mode, pre-flush and hygiene flush can be set.

Consisting of:

- Solenoid valve with large dirt filter
- Screw-down metal cover with sensor field
- Mounting material
- Programming key
- Mains operated via external 230/12 V transformer (not contained in scope of delivery)

Dimensions (W x H x D): 100 x 120 x 12 mm



Please order separately:

- TECEplanus 230/12 V transformer – Order No. 9810003
- TECEplanus 12 V connection cable – Order No. 9810004

Colour	Exhibition samples	Order No.	DU 1	DU 2
Silky matte white	Yes	9242355	1 pc.	10 pc.
Brushed stainless steel	Yes	9242352	1 pc.	10 pc.
Bright chrome	Yes	9242353	1 pc.	10 pc.
Bright white	—	9242357	1 pc.	10 pc.

Information on exhibits is available in the section "Exhibition samples".

TECEplanus transformer for 230/12 V mains electronics, toilet/urinal

For installation in standard flush-mounted boxes with ø 60 mm, up to 5 urinal electronics or 1 toilet electronics can be connected. Electrical connection: 230 V Output: 12 V DC



Order No.	DU 1
9810003	1 pc.

Urinal flush plate – TECEplanus electronic flushing systems

TECEplanus connection cable for 12 V mains electronics, toilet/urinal
Twin-core power cable, length 10 m.



Order No.
9810004

DU 1
1 pc.

Urinal flush plate – TECEnow

TECEnow urinal flush plate including cartridge

Fine assembly set for TECE flush valve housing U 1; flush valve category 1.5 and 4 (EN 12541); adjustable flush volume 1, 2 or 4 litres; usable from 0.5 bar minimum flow pressure.

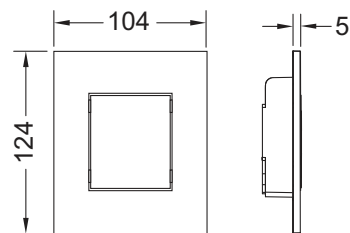
Consisting of:

- Flush valve cartridge
- Extra-flat flush plate made of plastic, installation height 5 mm
- Actuation rod and mounting materials

Suitable for flush-mounted installation in combination with the urinal installation frame.

Dimensions (W x H x D): 104 x 124 x 5 mm

Urinal installation frame for flush-mounted installation (Order No. 9242649) not contained in the scope of delivery.



Colour	Exhibition samples	Order No.		DU 1	DU 2
White	Yes	9242400		1 pc.	15 pc.
White, antibacterial	—	9242405		1 pc.	15 pc.
Bright chrome	Yes	9242401		1 pc.	15 pc.
Matte chrome	Yes	9242402		1 pc.	15 pc.
Black	—	9242403		1 pc.	15 pc.
Black matt	—	9242406	NEW	1 pc.	15 pc.
White matt	—	9242407	NEW	1 pc.	15 pc.

Information on exhibition samples can be found in the "Exhibition samples" section.

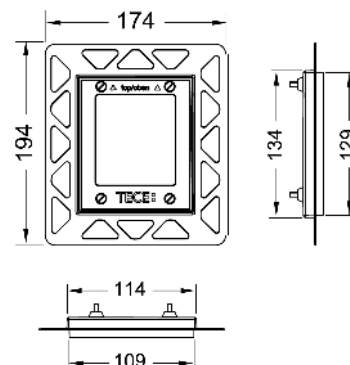
Urinal installation frame for flush-mounted installation

Installation kit for flush-mounted installation of the urinal flush plate TECEnow/TECEloop/TECESquare glass and for the installation of TECESquare metal in a dry-wall construction. Depth-adjustable tile frame for wall coverings from 5-18 mm (from 18-33 mm with adjustment bolt 9820181). Incl. disassembly tool for flush plate.

Required during shell assembly.

Caution: For dry-wall installation only!

To obtain a clean edge, please use a water jet cutter to prepare the tile cut-out.



Colour	Exhibition samples	Order No.		DU 1	DU 2
White	—	9242646		1 pc.	40 pc.
Black	—	9242647		1 pc.	40 pc.
Bright chrome	Yes	9242649		1 pc.	40 pc.
Gold plated	—	9242648		1 pc.	40 pc.

Information on exhibits is available in the section "Exhibition samples".

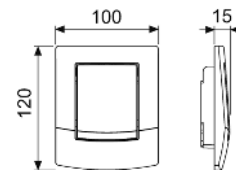
TECEambia urinal flush plate including cartridge

Fine assembly set for TECE flush valve housing U 1;
 Flush valve categories 1.5 and 4 (EN 12541);
 Adjustable flush volume 1, 2 or 4 litres;
 Usable from 0.5 bar minimum flow pressure.

Consisting of:

- Flush valve cartridge
- Screwable plastic flush plate
- Actuation rod and mounting materials

Dimensions (W x H x D): 100 x 120 x 15 mm



Colour	Exhibition samples	Order No.	DU 1	DU 2
White	Yes	9242100	1 pc.	15 pc.
White, antibacterial	Yes	9242140	1 pc.	15 pc.
Bright chrome	—	9242126	1 pc.	15 pc.

Information on exhibition samples can be found in the "Exhibition samples" section.

Urinal flush plate – Accessories

Extension set for TECE urinal flush plates

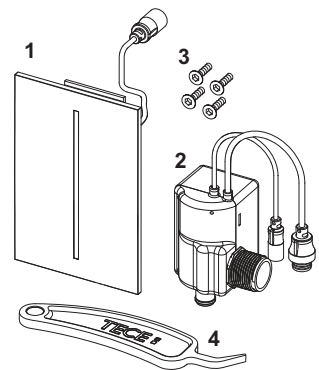
For extending attachment and actuation rods by max. 13 cm. For flush valve housing U 1.



Order No.	DU 1
9820095	1 pc.

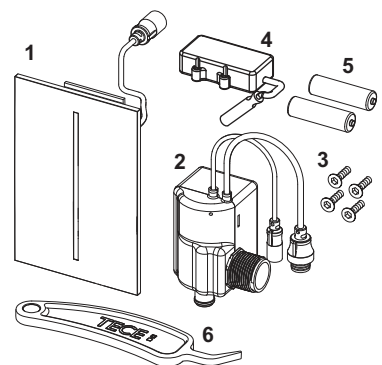
TECEfilo stainless steel urinal electronics 230 V mains electr.

Pos.	Order No.	Designation	DU 1
1	9820538	Cover plate, stainless steel	1 pc.
2	9820533	Valve unit 230 V-mains	1 pc.
3	9820554	Fastening screws	1 pc.
4	9820390	Dismounting and programming key	1 pc.



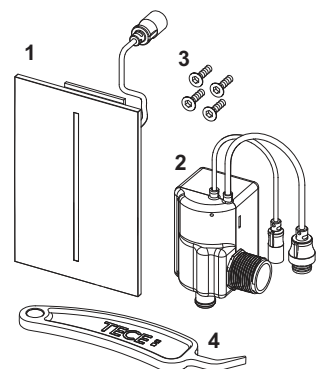
TECEfilo urinal electronics, stainless steel 7.2 V battery

Pos.	Order No.	Designation	DU 1
1	9820538	Cover plate, stainless steel	1 pc.
2	9820540	Valve unit 7.2 V-battery	1 pc.
3	9820554	Fastening screws	1 pc.
4	9820546	Battery holder	1 pc.
5	9820545	Batteries (2 x R6 - AA (3.6 V))	1 pc.
6	9820390	Dismounting and programming key	1 pc.



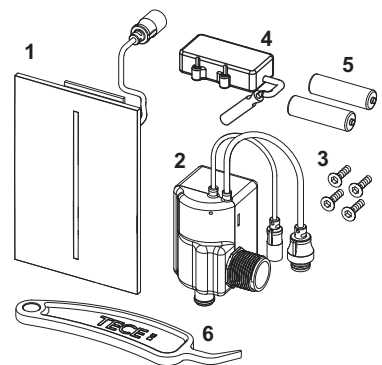
TECEfilo urinal electronics, glass 230 V mains electr.

Pos.	Order No.	Designation	DU 1
1	9820537	Cover plate white glass	1 pc.
	9820550	Cover plate black glass	1 pc.
2	9820533	Valve unit 230 V-mains	1 pc.
3	9820554	Fastening screws	1 pc.
4	9820390	Dismounting and programming key	1 pc.



TECEfilo urinal electronics, glass 7.2 V battery

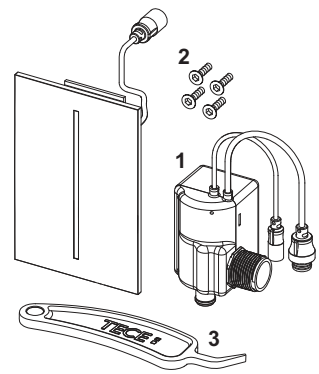
Pos.	Order No.	Designation	DU 1
1	9820537	Cover plate white glass	1 pc.
	9820550	Cover plate black glass	1 pc.
2	9820540	Valve unit 7.2 V-battery	1 pc.
3	9820554	Fastening screws	1 pc.
4	9820546	Battery holder	1 pc.
5	9820545	Batteries (2 x R6 - AA (3.6 V))	1 pc.
6	9820390	Dismounting and programming key	1 pc.



Urinal flush plate – Spare parts

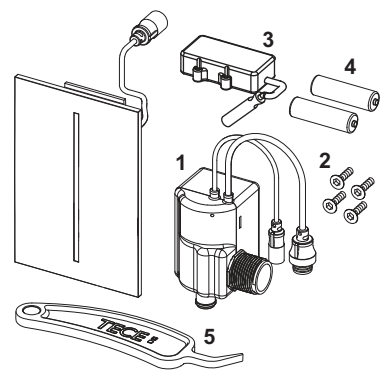
TECEfilo-Velvet urinal electronics 230 V mains

Pos.	Order No.	Designation	DU 1
1	9820533	Valve unit 230 V-mains	1 pc.
2	9820554	Fastening screws	1 pc.
3	9820390	Dismounting and programming key	1 pc.



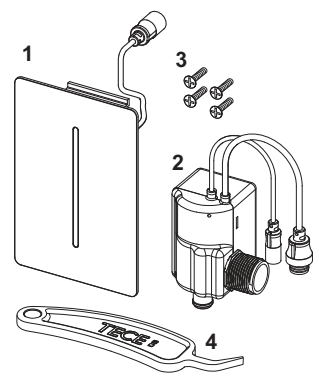
TECEfilo-Velvet urinal electronics 7.2 V battery

Pos.	Order No.	Designation	DU 1
1	9820540	Valve unit 7.2 V-battery	1 pc.
2	9820554	Fastening screws	1 pc.
3	9820546	Battery holder	1 pc.
4	9820545	Batteries (2 x R6 - AA (3.6 V))	1 pc.
5	9820390	Dismounting and programming key	1 pc.



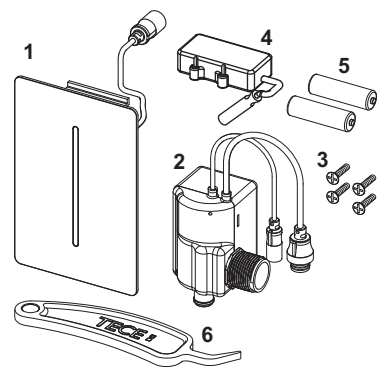
TECEfilo-Solid urinal electronics 230 V mains

Pos.	Order No.	Designation	DU 1
1	9820436	Cover plate, brushed stainless steel	1 pc.
	9820433	Cover plate, bright chrome	1 pc.
	9820434	Cover plate, bright white	1 pc.
	9820435	Cover plate, white matt	1 pc.
	9820427	Cover plate brushed stainless steel (with anti-fingerprint)	1 pc.
2	9820533	Valve unit 230 V-mains	1 pc.
3	9820554	Fastening screws	1 pc.
4	9820390	Dismounting and programming key	1 pc.



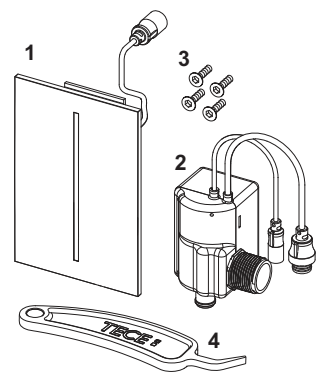
TECEfilo-Solid urinal electronics 7.2 V battery

Pos.	Order No.	Designation	DU 1
1	9820436	Cover plate, brushed stainless steel	1 pc.
	9820433	Cover plate, bright chrome	1 pc.
	9820434	Cover plate, bright white	1 pc.
	9820435	Cover plate, white matt	1 pc.
	9820427	Cover plate brushed stainless steel (with anti-fingerprint)	1 pc.
2	9820540	Valve unit 7.2 V-battery	1 pc.
3	9820554	Fastening screws	1 pc.
4	9820546	Battery holder	1 pc.
5	9820545	Batteries (2 x R6 - AA (3.6 V))	1 pc.
6	9820390	Dismounting and programming key	1 pc.



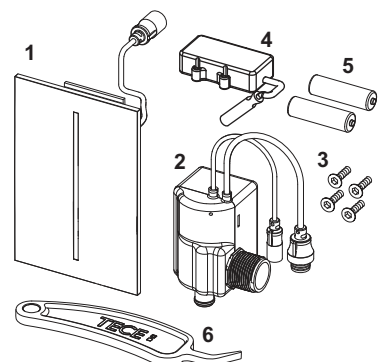
TECEfilo plastic urinal electronics 230 V mains electr.

Pos.	Order No.	Designation	DU 1
1	9820534	Cover plate plastic white	1 pc.
	9820535	Cover plate plastic chrome gloss	1 pc.
2	9820533	Valve unit 230 V-mains	1 pc.
3	9820554	Fastening screws	1 pc.
4	9820390	Dismounting and programming key	1 pc.



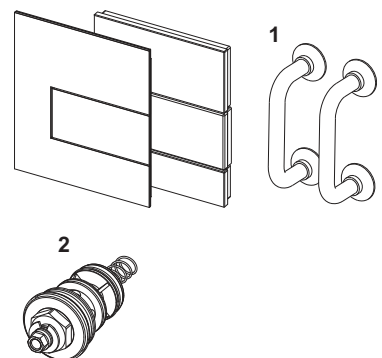
TECEfilo plastic urinal electronics 7.2 V battery

Pos.	Order No.	Designation	DU 1
1	9820534	Cover plate plastic white	1 pc.
	9820535	Cover plate plastic chrome gloss	1 pc.
2	9820540	Valve unit 7.2 V-battery	1 pc.
3	9820554	Fastening screws	1 pc.
4	9820546	Battery holder	1 pc.
5	9820545	Batteries (2 x R6 - AA (3.6 V))	1 pc.
6	9820390	Dismounting and programming key	1 pc.



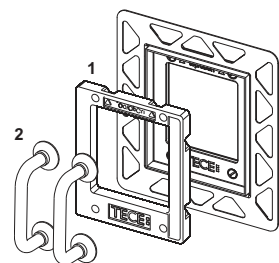
TECEsquare metal urinal flush plate including cartridge TECEsquare glass urinal flush plate including cartridge

Pos.	Order No.	Designation	DU 1
1	9820180	Bow-type handles	1 pc.
2	9820031	Flush valve cartridge U 1	1 pc.



Urinal installation frame for flush-mounted installation

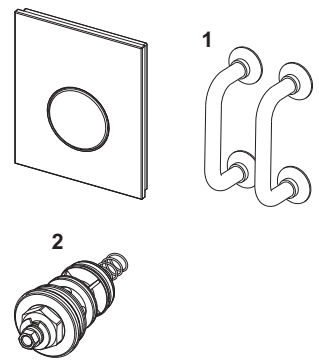
Pos.	Order No.	Designation	DU 1
1	9820197	Urinal support frame for flush-mounted installation	1 pc.
2	9820180	Bow-type handles	1 pc.



Urinal flush plate – Spare parts

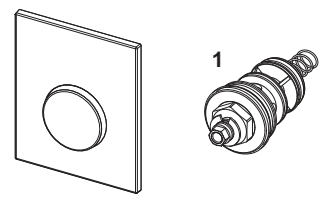
TECEloop glass urinal flush plate including cartridge

Pos.	Order No.	Designation	DU 1
1	9820180	Bow-type handles	1 pc.
2	9820031	Flush valve cartridge U 1	1 pc.



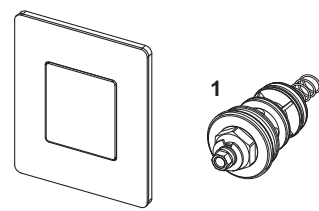
TECEloop plastic urinal flush plate including cartridge

Pos.	Order No.	Designation	DU 1
1	9820031	Flush valve cartridge U 1	1 pc.



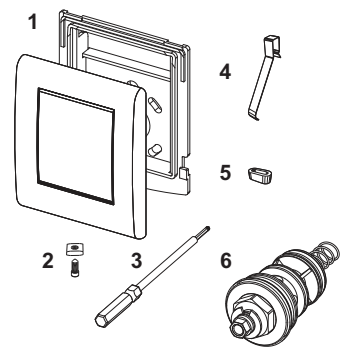
TECESolid urinal flush plate including cartridge

Pos.	Order No.	Designation	DU 1
1	9820031	Flush valve cartridge U 1	1 pc.



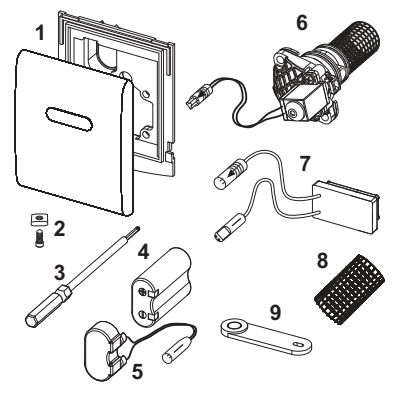
TECEplanus urinal flush plate including cartridge

Pos.	Order No.	Designation	DU 1
1	9820083	Brushed stainless steel flush plate	1 pc.
	9820084	Flush plate, bright chrome	1 pc.
	9820082	Silk matte white flush plate	1 pc.
2	9820097	Fastening screw	1 pc.
3	9820091	Hollow hexagon wrench	1 pc.
4	9820020	Push-button springs, set of two	1 pc.
5	9820024	Rubber buffer, set of two	1 pc.
6	9820031	Flush valve cartridge U 1	1 pc.



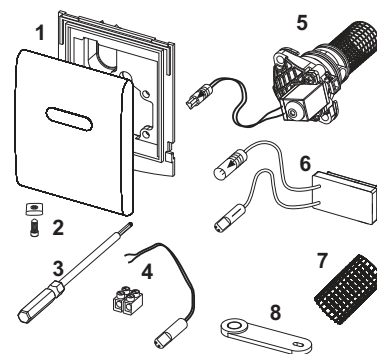
TECEplanus urinal electronics, 6 V battery

Pos.	Order No.	Designation	DU 1
1	9820085	Cover plate, brushed stainless steel	1 pc.
	9820086	Cover plate, bright chrome	1 pc.
	9820098	Cover plate, silk matte white	1 pc.
2	9820097	Fastening screw	1 pc.
3	9820091	Hollow hexagon wrench	1 pc.
4	9820092	6 V battery 2CR5	1 pc.
5	9820093	Battery connection adapter	1 pc.
6	9820089	Urinal cartridge electronic for flushing valve U 1	1 pc.
7	9820087	Infra-red sensor 6 V battery	1 pc.
8	9820090	Grate bar	1 pc.
9	9820080	Programming key	1 pc.



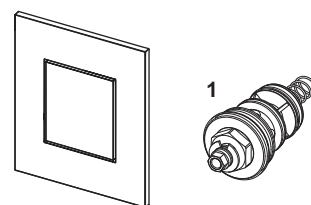
TECEplanus urinal electronics, 12 V mains

Pos.	Order No.	Designation	DU 1
1	9820085	Cover plate, brushed stainless steel	1 pc.
	9820086	Cover plate, bright chrome	1 pc.
	9820098	Cover plate, silk matte white	1 pc.
2	9820097	Fastening screw	1 pc.
3	9820091	Hollow hexagon wrench	1 pc.
4	9820094	Mains connection adapter	1 pc.
5	9820089	Urinal cartridge electronic for flushing valve U 1	1 pc.
6	9820088	Infra-red sensor 12 V mains	1 pc.
7	9820090	Grate bar	1 pc.
8	9820080	Programming key	1 pc.



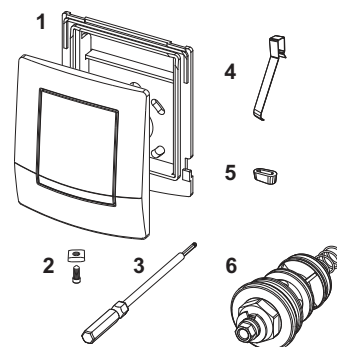
TECEnow urinal flush plate including cartridge

Pos.	Order No.	Designation	DU 1
1	9820031	Flush valve cartridge U 1	1 pc.



TECEambia urinal flush plate including cartridge

Pos.	Order No.	Designation	DU 1
1	9820081	Flush plate white	1 pc.
	9820129	Flush plate white, antibacterial	1 pc.
2	9820097	Fastening screw	1 pc.
3	9820091	Hollow hexagon wrench	1 pc.
4	9820020	Push-button springs, set of two	1 pc.
5	9820024	Rubber buffer, set of two	1 pc.
6	9820031	Flush valve cartridge U 1	1 pc.







Sanitary Systems

SANITARY MODULES

ASSORTMENT LIST 2021

Table of contents TECE sanitary modules

	Page
TECEprofil	117
TECEconstruct	183
TECEbox	197



Sanitary Systems

TECEprofil DRY-WALL MODULES

ASSORTMENT LIST 2021

	Page
Toilet modules	120
Washstand modules	143
Urinal modules	149
Bath/shower module	152
Bidet modules	153
Accessories	155
Spare parts case	163
Spare parts	164

An overview of valid Declaration of Performance (DOP) is available on our website www.tece.com.

Notes:

DU 1 = minimum order quantity per item; sometimes it is not possible to order smaller quantities for technical reasons
 DU 2 = Euro palette for modules

TECEprofil – Toilet modules

TECEprofil toilet module with Uni cistern, installation height 1120 mm **NEW**

Toilet module including “easy fit” flush plate installation and conduit to connect electronic shower toilets. For fitting to TECEprofil section tubes or for installation in metal or wooden stud walls and as a pre-wall or corner module; also suitable for single block assembly.

Uni cistern for front actuation:

- Safety tank made of impact-resistant plastic, tested to EN 14055
- Cistern fully pre-assembled and sealed.
- Cistern connection with outer thread R 1/2" at the side, compatible with quick adapters
- 10 litre tank volume; 6 litre pre-set standard flush volume, 4.5/7.5/9-litre flush volume can be set at any time; 3-litre partial flush volume for dual-flush system; remaining volume can be used for immediate cleaning flush.
- Insulated against condensation water
- For TECE flush plates and toilet flush handle
- Can be used as a single or dual-flush cistern
- “easy fit” flush plate installation
- Installation tunnel for service opening, can be shortened without tools
- Low-noise hydraulic filling valve, fitting group 1 according to DIN 4109

Module frame:

- Self-supporting, powder-coated
- Two M 12 retaining bolts and nuts
- Toilet drain bend DN 90 with joint adapter DN 90/100, made of PP
- Joint adapter also suitable for horizontal installation
- Toilet connection set DN 90
- Conduit for universal shower toilet water connection (check connection position)
- Shell protection for shower toilet connection, including conduit for transformer

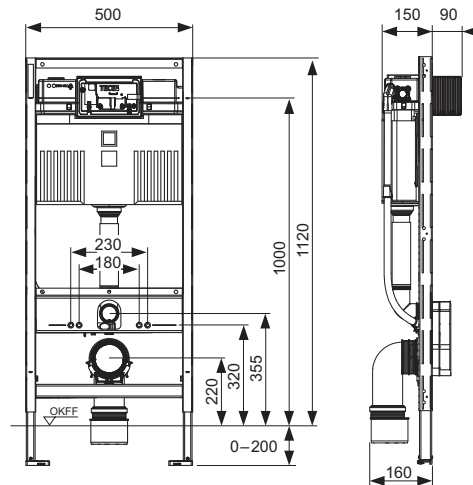
A raised ceramic attachment for a sitting height of 48 cm can be added in keeping with German standard DIN 18040 (DIN 18040: Barrier-free construction - Part 1: Publicly accessible buildings and workplaces).

Please order separately:

- Toilet flush plate (see flush plates)
- Fitting for pre-wall, corner or wooden stud wall structures
- Insert chute for cleaning tablets (optional)
- TECEone upgrade set for dry-wall construction (optional)

Note:

If toilet ceramics with a reduced supporting surface are used (= distance from middle of fixing bolt to lower edge of supporting surface is not larger than 18 cm) - e.g. V & B Memento, Subway 2.0 - it is necessary to install the steel brace set 9041029 in the lower build space.



Order No.		DU 1	DU 2	DU 3
9300300	NEW	1 pc.	10 pc.	60 pc.

TECEprofil toilet module with Uni cistern, installation height 1120 mm **NEW**

Toilet module including “easy fit” flush plate installation. For fitting to TECEprofil section tubes or for installation in metal or wooden stud walls and as a pre-wall or corner module; also suitable for single block assembly.

Uni cistern for front actuation:

- Safety tank made of impact-resistant plastic, tested to EN 14055
- Cistern fully pre-assembled and sealed.
- Cistern connection with outer thread R 1/2" at the side, compatible with quick adapters
- 10 litre tank volume; 6 litre pre-set standard flush volume, 4.5/7.5/9-litre flush volume can be set at any time; 3-litre partial flush volume for dual-flush system; remaining volume can be used for immediate cleaning flush.
- Insulated against condensation water
- For TECE flush plates and toilet flush handle
- Can be used as a single or dual-flush cistern
- “easy fit” flush plate installation
- Low-noise hydraulic filling valve, fitting group 1 according to DIN 4109

Module frame:

- Self-supporting, powder-coated
- Two M 12 retaining bolts and nuts
- Toilet drain bend DN 90 with joint adapter DN 90/100, made of PP
- Joint adapter also suitable for horizontal installation
- Toilet connection set DN 90

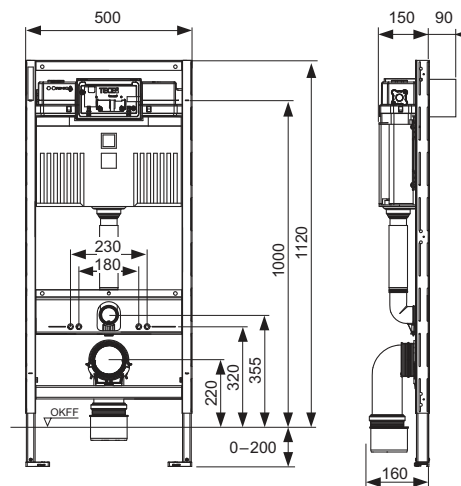
A raised ceramic attachment for a sitting height of 48 cm can be added in keeping with German standard DIN 18040 (DIN 18040: Barrier-free construction - Part 1: Publicly accessible buildings and workplaces).

Please order separately:

- Toilet flush plate (see flush plates)
- Fitting for pre-wall, corner or wooden stud wall structures
- Insert chute for cleaning tablets (optional)
- TECEone upgrade set for dry-wall construction (optional)

Note:

If toilet ceramics with a reduced supporting surface are used (= distance from middle of fixing bolt to lower edge of supporting surface is not larger than 18 cm) - e.g. V & B Memento, Subway 2.0 - it is necessary to install the steel brace set 9041029 in the lower build space.



Order No.		DU 1	DU 2	DU 3
9300302	NEW	1 pc.	10 pc.	60 pc.

TECEprofil – Toilet modules

TECEprofil toilet module with Uni cistern, installation height 1120 mm

Toilet module for attaching to TECEprofil section tubes or to install in metal or wooden stud walls and as pre-wall or corner module; also suitable for single block assembly.

Completely pre-assembled unit, consisting of:

Uni cistern for front actuation:

- Safety tank made of impact-resistant plastic
- Cistern fully pre-assembled and sealed
- Cistern connection with 1/2" inner thread
- 10 litre tank volume; 6 litre pre-set standard flush volume; option of setting a 4.5/7.5/9-litre flush at any time; 3 litre low-volume flush for dual-flush system. Remaining volume can be used for immediate cleaning flush.
- Insulated against condensation water
- For TECE flush plates and toilet flush handle
- Can be set as a single or dual-flush cistern depending on the flush plate used.
- Certified in accordance with EN 14055
- Fitting group 1 in accordance with DIN 4109
- Low-noise hydraulic filling valve

Module consisting of:

- Self-supporting installation frame, powder-coated
- Two M 12 retaining bolts and nuts
- Toilet drain bend DN 90 incl. toilet adapter DN 90/100 made of PP
- Joint adapter also suitable for horizontal installation
- Toilet connection set DN 90, includes assembly protection plugs

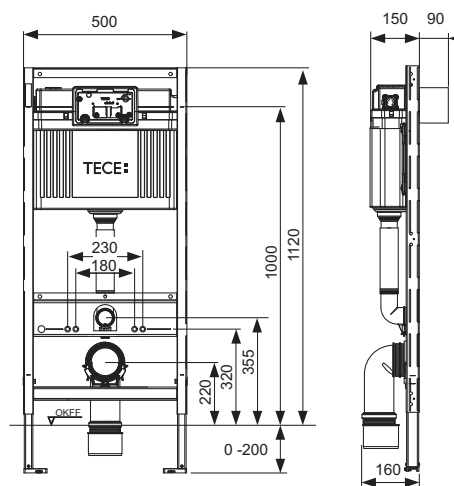
A raised ceramic mounting for a sitting height of 48 cm can be added in keeping with German standard DIN 18040 (DIN 18040: Barrier-free construction - Part 1: Publicly accessible buildings and workplaces).

Please order separately:

- Toilet flush plate (see flush plates)
- Fixing for pre-wall, corner or wooden stud structures
- Insert chute for cleaning tablets
- TECEone upgrade set for dry-wall

Note:

If toilet ceramics with a reduced supporting surface are used (= distance from middle of attachment bolt to lower edge of supporting surface is not greater than 18 cm) - e.g. V & B Memento, Subway 2.0 - it is necessary to install the steel brace set 904 1029 in the lower build space.



Follow-up item see 9300300
with new scope of service and supply.

Order No.		DU 1	DU 2	DU 3
9300000	SALE	1 pc.	10 pc.	60 pc.

TECEprofil toilet module with Uni cistern, installation height 980 mm **NEW**

Toilet module including “easy fit” flush plate installation and conduit to connect electronic shower toilets. For attaching to TECEprofil section tubes or as pre-wall or corner modules.

Uni cistern for front or top actuation:

- Safety tank made of impact-resistant plastic, tested to EN 14055
- Cistern fully pre-assembled and sealed.
- Cistern connection with outer thread R 1/2" at the side, compatible with quick adapters
- 10 litre tank volume; 6 litre pre-set standard flush volume, 4.5/7.5/9-litre flush volume can be set at any time; 3-litre partial flush volume for dual-flush system; remaining volume can be used for immediate cleaning flush.
- Insulated against condensation water
- For TECE flush plates and toilet flush handle
- Can be used as a single or dual-flush cistern
- “easy fit” flush plate installation
- Installation tunnel for service opening, can be shortened without tools
- Low-noise hydraulic filling valve, fitting group 1 according to DIN 4109

Module frame:

- Self-supporting, powder-coated
- Two M 12 retaining bolts and nuts
- Two depth-adjustable module attachments
- Toilet drain bend DN 90 with joint adapter DN 90/100, made of PP
- Joint adapter also suitable for horizontal installation
- Toilet connection set DN 90
- Conduit for universal shower toilet water connection (check connection position)
- Shell protection for shower toilet connection, including conduit for transformer

A raised ceramic attachment for a sitting height of 48 cm can be added in keeping with German standard DIN 18040 (DIN 18040: Barrier-free construction - Part 1: Publicly accessible buildings and workplaces).

Please order separately:

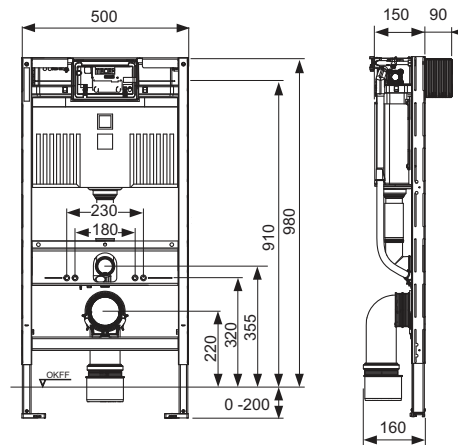
- Toilet flush plate (see flush plates)
- Insert chute for cleaning tablets (optional, front actuation only)
- TECEone upgrade set for dry-wall construction (optional)

Note:

If toilet ceramics with a reduced supporting surface are used (= distance from middle of fixing bolt to lower edge of supporting surface is not larger than 18 cm) - e.g. V & B Memento, Subway 2.0 - it is necessary to install the steel brace set 9041029 in the lower build space.

Caution:

If the flush plate is fitted in front of cisterns with low installation height and a compact ceramic is used, the toilet lid may occasionally drop down unintentionally. When using compact ceramics fit the flush plate with top actuation only.



Order No.		DU 1	DU 2	DU 3
9300322	NEW	1 pc.	10 pc.	60 pc.

TECEprofil – Toilet modules

TECEprofil toilet module with Uni cistern, installation height 980 mm

Toilet module for installation in a TECEprofil pre-wall or in front of a solid wall.

Completely pre-assembled unit, consisting of:

Uni cistern for front or top actuation:

- Safety tank made of impact-resistant plastic
- Cistern fully pre-assembled and sealed
- Cistern connection with 1/2" inner thread
- 10 litre tank volume; 6 litre preset standard flush volume; with the option of setting a 4.5/7.5/9-litre flush at any time; 3 litre low-volume flush for dual-flush system. Remaining volume can be used for immediate cleaning flush.
- Insulated against condensation water
- For TECE flush plates and toilet flush handle
- Can be set as a single or dual-flush cistern depending on the flush plate used
- Certified in accordance with EN 14055
- Fitting group 1 in accordance with DIN 4109
- Low-noise hydraulic filling valve



Module consisting of:

- Self-supporting installation frame, powder-coated
- Two M 12 retaining bolts and nuts
- Two depth-adjustable module attachments
- Toilet drain bend DN 90 incl. joint adapter DN 90/100 made of PP
- Joint adapter also suitable for horizontal installation
- Toilet connection set DN 90, including protective plugs

Please order separately:

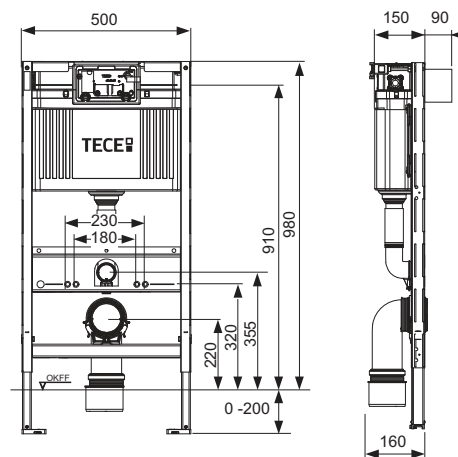
- Toilet flush plate (see flush plates)
- Insert chute for cleaning tablets (front actuation only)
- TECEone upgrade set for dry-wall

Note:

If the flush plate is fitted in front of cisterns with low installation height and a compact ceramic is used, the toilet lid may occasionally drop down unintentionally. When using compact ceramics fit the flush plate with top actuation only.

Caution:

If the flush plate is fitted in front and a compact ceramic is used in the case of cisterns with a low installation height, the toilet lid may occasionally drop down unintentionally. When using a compact ceramic fit flush plate with top actuation only.



Follow-up item see 9300322 with new scope of service and supply.

Order No.		DU 1	DU 2	DU 3
9300022	SALE	1 pc.	10 pc.	60 pc.

TECEprofil toilet module with Uni cistern, installation height 820 mm **NEW**

Toilet module including “easy fit” flush plate installation and conduit to connect electronic shower toilets. For attaching to TECEprofil section tubes or as pre-wall or corner modules.

Uni cistern for front or top actuation:

- Safety tank made of impact-resistant plastic, tested to EN 14055
- Cistern fully pre-assembled and sealed.
- Cistern connection with outer thread R 1/2" at the side, compatible with quick adapters
- 10 litre tank volume; 6 litre pre-set standard flush volume, 4.5/7.5/9-litre flush volume can be set at any time; 3-litre partial flush volume for dual-flush system; remaining volume can be used for immediate cleaning flush.
- Insulated against condensation water
- For TECE flush plates and toilet flush handle
- Can be used as a single or dual-flush cistern
- “easy fit” flush plate installation
- Installation tunnel for service opening, can be shortened without tools
- Low-noise hydraulic filling valve, fitting group 1 according to DIN 4109

Module frame:

- Self-supporting, powder-coated
- Two M 12 retaining bolts and nuts
- Toilet drain bend DN 90 with joint adapter DN 90/100, made of PP
- Joint adapter also suitable for horizontal installation
- Toilet connection set DN 90
- Conduit for universal shower toilet water connection (check connection position)
- Shell protection for shower toilet connection, including conduit for transformer

A raised ceramic attachment for a sitting height of 48 cm can be added in keeping with German standard DIN 18040 (DIN 18040: Barrier-free construction - Part 1: Publicly accessible buildings and workplaces).

Please order separately:

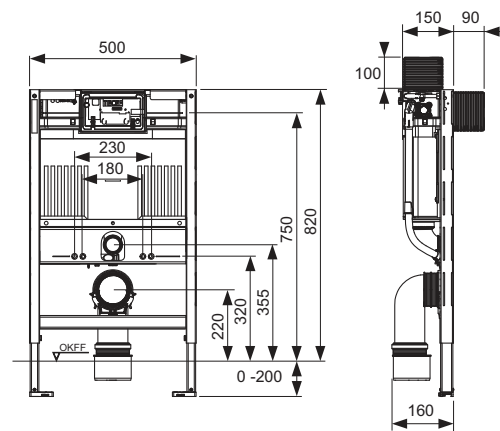
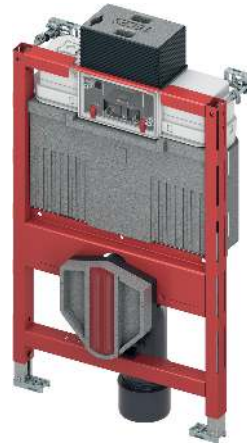
- Toilet flush plate (see flush plates)
- Insert chute for cleaning tablets (optional, front actuation only)
- TECEone upgrade set for dry-wall construction (optional)

Note:

If toilet ceramics with a reduced supporting surface are used (= distance from middle of fixing bolt to lower edge of supporting surface is not larger than 18 cm) - e.g. V & B Memento, Subway 2.0 - it is necessary to install the steel brace set 9041029 in the lower build space.

Caution:

If the flush plate is fitted in front of cisterns with low installation height and a compact ceramic is used, the toilet lid may occasionally drop down unintentionally. When using compact ceramics fit the flush plate with top actuation only.



Order No.		DU 1	DU 2	DU 3
9300301	NEW	1 pc.	10 pc.	60 pc.

TECEprofil – Toilet modules

TECEprofil toilet module with Uni cistern, installation height 820 mm

Toilet module for attaching to TECEprofil section tubes or as pre-wall or corner module.

Completely pre-assembled unit, consisting of:

Uni cistern for front or top actuation:

- Safety tank made of impact-resistant plastic
- Cistern fully pre-assembled and sealed
- Cistern connection with 1/2" inner thread
- 10 litre tank volume; 6 litre pre-set standard flush volume; option of setting a 4.5/7.5/9-litre flush at any time; 3 litre low-volume flush for dual-flush system. Remaining volume can be used for immediate cleaning flush.
- Insulated against condensation water
- For TECE flush plates and toilet flush handle
- Can be set as a single or dual-flush cistern depending on the flush plate used
- Certified in accordance with EN 14055
- Fitting group 1 in accordance with DIN 4109
- Low-noise hydraulic filling valve

Module consisting of:

- Self-supporting installation frame, powder-coated
- Two M 12 retaining bolts and nuts
- Toilet drain bend DN 90 incl. joint adapter DN 90/100 made of PP
- Joint adapter also suitable for horizontal installation
- Toilet connection set DN 90, including protective plugs
- Two depth-adjustable module attachments

Please order separately:

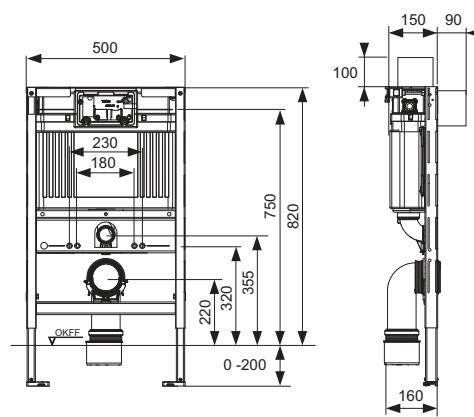
- Toilet flush plate (see flush plates)
- Insert chute for cleaning tablets (front actuation only)
- TECEone dry-wall upgrade set

Note:

If toilet ceramics with a reduced supporting surface are used (= distance from middle of attachment bolt to lower edge of supporting surface is not larger than 18 cm) - e.g. V & B Memento, Subway 2.0 - it is necessary to install the steel brace set 9041029 in the lower build space.

Caution:

If the flush plate is fitted in front of cisterns with low installation height and a compact ceramic is used, the toilet lid may occasionally drop down unintentionally. When using compact ceramics fit the flush plate with top actuation only.



Follow-up item see 9300301 with new scope of service and supply.

Order No.		DU 1	DU 2	DU 3
9300001	SALE	1 pc.	10 pc.	60 pc.

TECEprofil toilet module TECEprofil with Uni cistern, for TOTO Neorest Washlet (WC) AC 2.0/EW 2.0, installation height 1120 mm

Toilet module including “easy fit” flush plate installation. For fitting to TECEprofil section tubes or for installation in metal or wooden stud walls and as a pre-wall or corner module; also suitable for single block assembly.

Uni cistern for front actuation:

- Safety tank made of impact-resistant plastic, tested to EN 14055
- Cistern fully pre-assembled and sealed.
- Cistern connection with outer thread R 1/2" at the side, compatible with quick adapters
- 10 litre tank volume; 6 litre pre-set standard flush volume, 4.5/7.5/9-litre flush volume can be set at any time; 3-litre partial flush volume for dual-flush system; remaining volume can be used for immediate cleaning flush.
- Insulated against condensation water
- For TECE flush plates and toilet flush handle
- Can be used as a single or dual-flush cistern
- “easy fit” flush plate installation
- Installation tunnel for service opening, can be shortened without tools
- Low-noise hydraulic filling valve, fitting group 1 according to DIN 4109

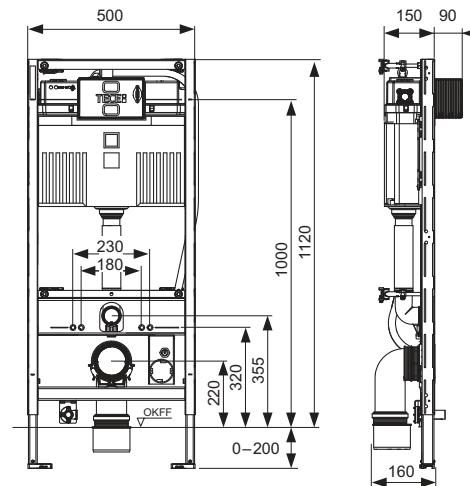
Module frame:

- Self-supporting, powder-coated
- Two M 12 retaining bolts and nuts
- Toilet drain bend DN 90 with joint adapter DN 90/100, made of PP
- Joint adapter also suitable for horizontal installation
- DN 90 toilet connection set including protective plug
- Pre-mounted control cable for automatic flush actuation with TOTO Neorest Washlet (WC) AC 2.0/EW 2.0
- Pre-mounted hollow-wall box for power connection of the shower toilet
- Pre-mounted holding plate for water connection of the shower toilet
- 1/2" x 1/2" wall disk including sound insulation
- Four depth-adjustable module attachments

A raised ceramic attachment for a sitting height of 48 cm can be added in keeping with German standard DIN 18040 (DIN 18040: Barrier-free construction - Part 1: Publicly accessible buildings and workplaces).

Please order separately:

- Toilet flush plate (see flush plates)
- Fitting for pre-wall, corner or wooden stud wall structures
- Insert chute for cleaning tablets (optional)



Order No.		DU 1	DU 2	DU 3
9300344	NEW	1 pc.	10 pc.	60 pc.

TECEprofil – Toilet modules

TECEprofil toilet module TECEprofil with Uni cistern, for TOTO Neorest Washlet (WC) AC 2.0/EW 2.0, installation height 1120 mm

Toilet module for attaching to TECEprofil section tubes or to install in metal or wooden stud walls and as pre-wall or corner module; also suitable for single block assembly.

Completely pre-assembled unit, consisting of:

Uni cistern for front actuation:

- Safety tank made of impact-resistant plastic
- Cistern fully pre-assembled and sealed
- Cistern connection with 1/2" inner thread
- 10 litre tank volume; 6 litre pre-set standard flush volume; option of setting a 4.5/7.5/9-litre flush at any time; 3 litre low-volume flush for dual-flush system. Remaining volume can be used for immediate cleaning flush.
- Insulated against condensation water
- For TECE flush plates and toilet flush handle
- Can be set as a single or dual-flush cistern depending on the flush plate used.
- Certified in accordance with EN 14055
- Fitting group 1 in accordance with DIN 4109
- Low-noise hydraulic filling valve

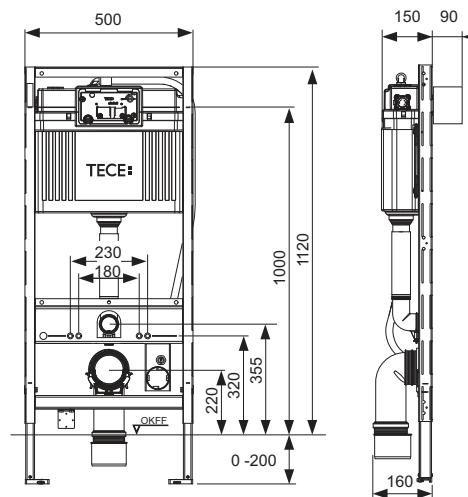
Module consisting of:

- Self-supporting installation frame, powder-coated
- Two M 12 retaining bolts and nuts
- Toilet drain bend DN 90 incl. toilet adapter DN 90/100 made of PP
- Joint adapter also suitable for horizontal installation
- Toilet connection set DN 90, includes assembly protection plugs
- Pre-mounted control cable for automatic actuation flush function with TOTO Neorest shower toilet
- Pre-mounted hollow-wall box for power connection of the shower toilet
- Pre-mounted retaining plate for water connection of the shower toilet
- Wall disk 1/2" x 1/2" incl. sound insulation
- Four depth-adjustable wall attachments

A raised ceramic mounting for a sitting height of 48 cm can be added in keeping with German standard DIN 18040 (DIN 18040: Barrier-free construction - Part 1: Publicly accessible buildings and workplaces).

Please order separately:

- Toilet flush plate (see flush plates)
- Insert chute for cleaning tablets



Follow-up item see 9300344 with new scope of service and supply.

Order No.		DU 1	DU 2	DU 3
9300044	SALE	1 pc.	10 pc.	60 pc.

TECEprofil WC Geronto module with Uni cistern, ceramic attachment NEW for sitting height of 48 cm in keeping with German standard DIN 18040-1, installation height 1120 mm

Toilet module including “easy fit” flush plate installation and conduit to connect electronic shower toilets. For attachment to TECEprofil section tubes or for flush-mounted profile walls or in front of a solid wall. For barrier-free construction with raised ceramic attachment. Module with lateral steel frames and conduits for cable laying, including mounting materials.

Safety support arm height = 760 mm

Uni cistern for front actuation:

- Safety tank made of impact-resistant plastic, tested to EN 14055
- Cistern fully pre-assembled and sealed.
- Cistern connection with outer thread R 1/2" at the side, compatible with quick adapters
- 10 litre tank volume; 6 litre pre-set standard flush volume, 4.5/7.5/9-litre flush volume can be set at any time; 3-litre partial flush volume for dual-flush system; remaining volume can be used for immediate cleaning flush.
- Insulated against condensation water
- For TECE flush plates and toilet electronics
- Can be used as a single or dual-flush cistern
- “easy fit” flush plate installation
- Installation tunnel for service opening, can be shortened without tools
- Low-noise hydraulic filling valve, fitting group 1 according to DIN 4109

Module frame:

- Self-supporting, powder-coated
- Two adjustable floor supports for floor projections of 0-200 mm.
- Two M 12 retaining bolts and nuts
- Eight depth-adjustable module attachments
- Four multi-clips for attachment to a TECEprofil wall
- Lateral steel frames to hold the steel plate sets.
- Toilet drain bend DN 90 with joint adapter DN 90/100, made of PP
- Joint adapter also suitable for horizontal installation
- Toilet connection set DN 90

Please order separately:

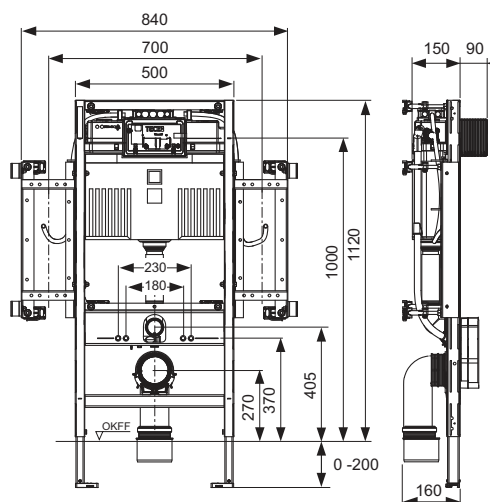
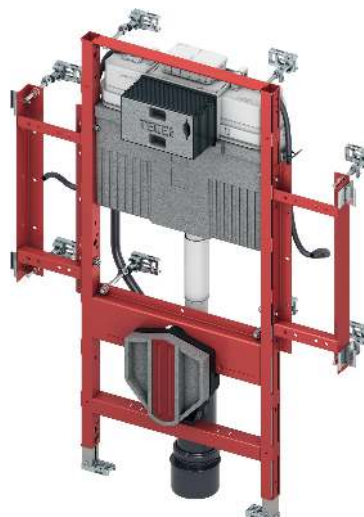
- Steel/wooden plate set to hold the safety arm supports (90420xx)
- Toilet electronics (such as TECEplanus toilet remote release)
- Toilet flush plate (see flush plates)
- TECEone upgrade set for dry-wall construction (optional)

Note:

If toilet ceramics with a reduced supporting surface are used (= distance from middle of fixing bolt to lower edge of supporting surface is not larger than 18 cm) - e.g. V & B Memento, Subway 2.0 - it is necessary to install the steel brace set 9041029 in the lower build space.

Caution:

Depending on the manufacturer, concealed cabling may not be possible for all safety support arms.



Order No.		DU 1	DU 2	DU 3
9300309	NEW	1 pc.	10 pc.	60 pc.

TECEprofil – Toilet modules

TECEprofil toilet Geronto module, with Uni cistern, in accordance with DIN 18040-1, installation height 1120 mm

Toilet module for the installation to TECEprofil section tubes or to flush-mounted profile walls or in front of a solid wall. For barrier-free construction with raised ceramic mounting. Module with lateral steel frames and conduits for cable laying including mounting materials.

Safety support arm = 760 mm

Partially pre-assembled unit, consisting of:

Uni cistern for front actuation:

- Safety tank made of impact-resistant plastic
- Cistern completely pre-assembled and sealed
- Cistern connection with 1/2" inner thread
- 10 litre tank volume; 6 litre pre-set standard flush volume; 4.5/7.5/9-litre flush volume setting option at any time; 3-litre partial flush volume with dual-flush system. Remaining volume can be used for immediate cleaning flush.
- Insulated against condensation water
- For TECE flush plates, toilet electronics and toilet flush handle
- Can be set as a single or dual-flush cistern depending on the flush plate used
- Certified in accordance with EN 14055
- Fitting group 1 in accordance with DIN 4109
- Low-noise hydraulic filling valve

Module consisting of:

- Self-supporting installation frame, powder-coated
- Two adjustable supports for floor projections of 0-200 mm
- Two M 12 retaining bolts and nuts
- Eight depth-adjustable modular attachments
- Four multi-clips for attachment to a TECEprofil wall
- Lateral steel frames to hold the steel plate sets
- Toilet drain bend DN 90 incl. joint adapter DN 90/100 made of PP
- Joint adapter also suitable for horizontal installation
- Toilet connection set DN 90, including protective plugs

Please order separately:

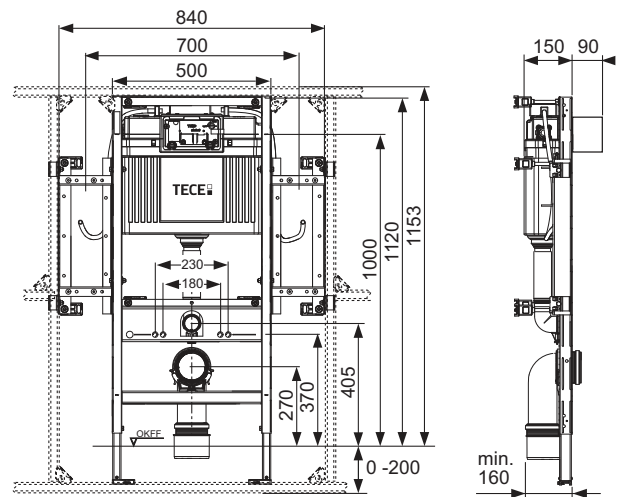
- Steel plate set to hold the safety support arms (90420xx)
- Toilet electronics (such as TECEplanus toilet remote actuation)
- Toilet flush plate (see flush plates)
- TECEone dry-wall upgrade set

Note:

If toilet ceramics with a reduced supporting surface are used (= distance from middle of attachment bolt to lower edge of supporting surface is not greater than 18 cm) - e.g. V & B Memento, Subway 2.0 - it is necessary to install the steel brace set 9041029 in the lower build space.

Warning:

Matching steel/wooden plate set for holding the safety arm support must be ordered separately! Depending on the manufacturer, concealed cabling may not be possible for all safety support arms.

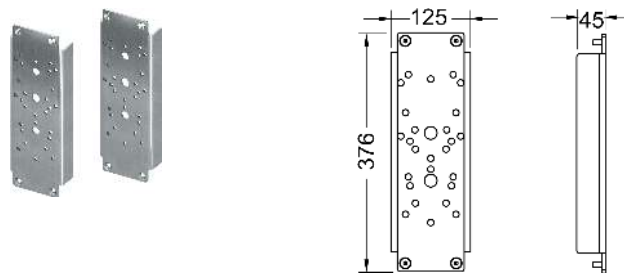


Follow-up item see 9300309 with new scope of service and supply.

Order No.		DU 1	DU 2	DU 3
9300009	SALE	1 pc.	10 pc.	60 pc.

TECEprofil steel plate set to hold the safety arm support

Consisting of two steel plates including mounting material for installation to WC Geronto module. The attachment screws for assembling the safety support arms are not contained in the scope of delivery.



Order No.	Manufacturer	Type		
9042010	Erlau	Ovalgrip		
	Hewi	Serie 801/802 (Lifesystem)/805		
	Keuco	Collection Plan		
	Linido	LI2601		
	Normbau	Nylon Care		
	Pressalit	Care R3016-RF016, R3018-RF018		
9042011	Erlau	Economy		
	FSB	82 8224 06011, 82 8224 06012 82 8224 07011, 82 8224 07012		
	Linido	LI2603		
9042012	Erlau	XSE		
	Lehnen	Evolution		
	PBA	4CN.445.00RL u.a. der Serie 400-NY		
	SAM	free line		
9042013	Deubad	Maxima Typ G40		
	Emco	35 85 212 85, 35 85 212 60		
	Hergert	10.036.00.1000, 10.036.01.1000, 10.037.01.1000, 10.056.00.1000, 10.056.01.1000, 10.056.18.1000, 10.056.19.1000, 10.057.00.1000, 10.057.01.1000, 10.058.06.1000		
		Normbau	Inox Care	
		rehagrip	A-, B-, D- und E-Serie	
		Terma	Wlon	
		9042016	Deubad	DEU-WAVE
			FSB	82 8224 06001, 82 8224 06002 82 8224 07001, 82 8224 07002 82 8224 08501 bis 82 8224 08508 82 8224 08531, 82 8224 08532 82 8224 09001, 82 8224 09002 82 8224 09031, 82 8224 09032 82 8224 06041, 82 8224 06042 82 8224 07041, 82 8224 07042 82 8224 08541, 82 8224 08542
	Hewi			Serie 950
	Normbau			Cavere Care-Vario
9042017	Lehnen			Basic, Concept, Novus, Funktion
9042018	Erlau			ASK
	PROVEX			Serie 400/Serie 300/Serie 250

Order No.	DU 1	DU 2
9042010	1 set	10 set
9042011	1 set	10 set
9042012	1 set	10 set
9042013	1 set	10 set
9042016	1 set	10 set
9042017	1 set	10 set
9042018	1 set	10 set

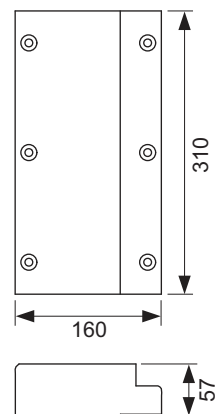
TECEprofil – Toilet modules

TECEprofil wooden plate set to hold the safety arm supports

Wooden plate set consisting of two waterproof wooden plates made of glued veneer including mounting materials for installation to toilet Geronto module. The attachment screws for assembling the safety support arms are not contained in the scope of delivery.

Note:

Not prepared for safety support arm with cable-linked flush.



Order No.	DU 1	DU 2
9042008	1 set	10 set

TECEprofil toilet module with Uni cistern, with connection for odour extraction, installation height 1120 mm **NEW**

Toilet module including “easy fit” flush plate installation and conduit to connect electronic shower toilets. For fitting to TECEprofil section tubes or for installation in metal or wooden stud walls and as a pre-wall or corner module; also suitable for single block assembly.

Uni cistern for front actuation:

- Safety tank made of impact-resistant plastic, tested to EN 14055
- Cistern fully pre-assembled and sealed.
- Cistern connection with outer thread R 1/2" at the side, compatible with quick adapters
- 10 litre tank volume; 6 litre pre-set standard flush volume, 4.5/7.5/9-litre flush volume can be set at any time; 3-litre partial flush volume for dual-flush system; remaining volume can be used for immediate cleaning flush.
- Insulated against condensation water
- For TECE flush plates and toilet flush handle
- Can be used as a single or dual-flush cistern
- “easy fit” flush plate installation
- Installation tunnel for service opening, can be shortened without tools
- Low-noise hydraulic filling valve, fitting group 1 according to DIN 4109
- Connection for odour extraction (DN 70), matching fan e.g. Maico ER 100

Module frame:

- Self-supporting, powder-coated
- Two M 12 retaining bolts and nuts
- Toilet drain bend DN 90 with joint adapter DN 90/100, made of PP
- Joint adapter also suitable for horizontal installation
- Toilet connection set DN 90
- Conduit for universal shower toilet water connection (check connection position)
- Shell protection for shower toilet connection, including conduit for transformer

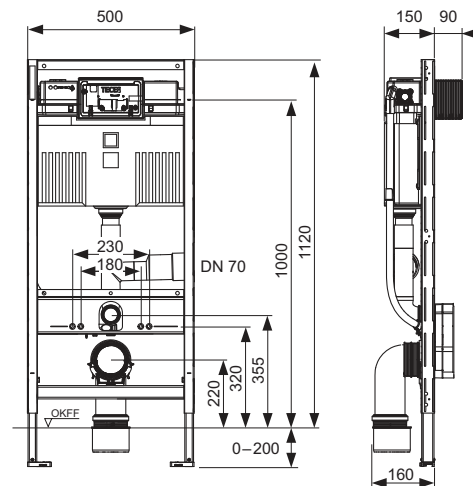
A raised ceramic attachment for a sitting height of 48 cm can be added in keeping with German standard DIN 18040 (DIN 18040: Barrier-free construction - Part 1: Publicly accessible buildings and workplaces).

Please order separately:

- Toilet flush plate (see flush plates)
- Fitting for pre-wall, corner or wooden stud wall structures
- Insert chute for cleaning tablets (optional)
- TECEone upgrade set for dry-wall construction (optional)

Note:

- If toilet ceramics with a reduced supporting surface are used (= distance from middle of attachment bolt to lower edge of supporting surface is not greater than 18 cm) - e.g. V & B Memento, Subway 2.0 - it is necessary to install the steel brace set 9041029 in the lower build space.
- It is possible to fit odour extraction to all common toilet ceramics. However, the flushing water remains standing in the flush pipe of some ceramics with a higher sitting position or higher flushing rim, resulting in the bowl becoming partially or completely full. The current "Technical Information" offers an overview of the affected ceramics in which it is not possible to fit the odour extraction option.



Order No.		DU 1	DU 2	DU 3
9300303	NEW	1 pc.	10 pc.	60 pc.

TECEprofil – Toilet modules

TECEprofil toilet module with Uni cistern, with connection for odour extraction, installation height 1120 mm

Toilet module for attaching to TECEprofil section tubes or to install in metal or wooden stud walls and as pre-wall or corner module; also suitable for single block assembly.

Completely pre-assembled unit, consisting of:

Uni cistern for front actuation:

- Safety tank made of impact-resistant plastic
- Cistern fully pre-assembled and sealed
- Cistern connection with 1/2" inner thread
- 10 litre tank volume; 6 litre pre-set standard flush volume; option of setting a 4.5/7.5/9-litre flush at any time; 3 litre low-volume flush for dual-flush system. Remaining volume can be used for immediate cleaning flush.
- Insulated against condensation water
- For TECE flush plates and toilet flush handle
- Can be set as a single or dual-flush cistern depending on the flush plate used.
- Certified in accordance with EN 14055
- Fitting group 1 in accordance with DIN 4109
- Low-noise hydraulic filling valve
- Connection for odour extraction (DN 70)

Module consisting of:

- Self-supporting installation frame, powder-coated
- Two M 12 retaining bolts and nuts
- Toilet drain bend DN 90 incl. toilet adapter DN 90/100 made of PP
- Joint adapter also suitable for horizontal installation
- Toilet connection set DN 90, includes assembly protection plugs

Matching fan e.g.:

- Maico ER 100
- Lunos Skalar-2SG

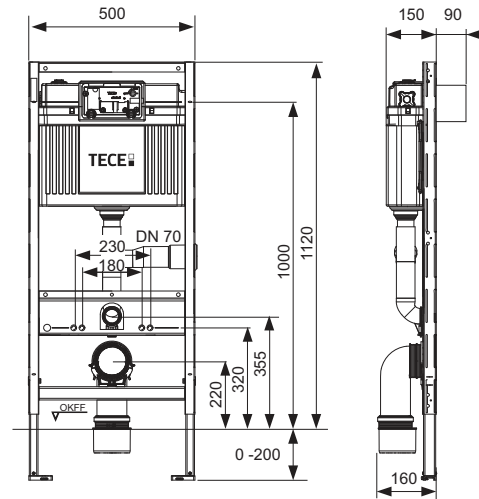
A raised ceramic mounting for a sitting height of 48 cm can be added in keeping with German standard DIN 18040 (DIN 18040: Barrier-free construction - Part 1: Publicly accessible buildings and workplaces).

Please order separately:

- Toilet flush plate (see flush plates)
- Insert chute for cleaning tablets
- TECEone upgrade set for dry-wall

Note:

- If toilet ceramics with a reduced supporting surface are used (= distance from middle of attachment bolt to lower edge of supporting surface is not greater than 18 cm) - e.g. V & B Memento, Subway 2.0 - it is necessary to install the steel brace set 9041029 in the lower build space.
- It is possible to fit odour extraction to all common toilet ceramics. However, the flushing water remains standing in the flush pipe of some ceramics with a higher sitting position or higher flushing rim, resulting in the bowl becoming partially or completely full. The current "Technical Information" offers an overview of the affected ceramics in which it is not possible to fit the odour extraction option.



Follow-up item see 9300303 with new scope of service and supply.

Order No.		DU 1	DU 2	DU 3
9300003	SALE	1 pc.	10 pc.	60 pc.

TECEprofil toilet module with Uni cistern, for children's floor-standing toilet, installation height 1120 mm **NEW**

Toilet module including “easy fit” flush plate installation. For fitting to TECEprofil section tubes or for installation in metal or wooden stud walls and as a pre-wall or corner module; also suitable for single block assembly.

Uni cistern for front actuation:

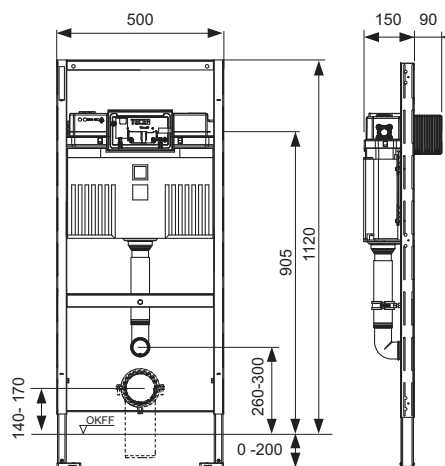
- Safety tank made of impact-resistant plastic, tested to EN 14055
- Cistern fully pre-assembled and sealed.
- Cistern connection with outer thread R 1/2" at the side, compatible with quick adapters
- 10 litre tank volume; 6 litre pre-set standard flush volume, 4.5/7.5/9-litre flush volume can be set at any time; 3-litre partial flush volume for dual-flush system; remaining volume can be used for immediate cleaning flush.
- Insulated against condensation water
- For TECE flush plates and toilet flush handle
- Can be used as a single or dual-flush cistern
- “easy fit” flush plate installation
- Installation tunnel for service opening, can be shortened without tools
- Low-noise hydraulic filling valve, fitting group 1 according to DIN 4109

Module frame:

- Self-supporting, powder-coated

Please order separately:

- Toilet flush plate (see flush plates)
- Fitting for pre-wall, corner or wooden stud wall structures
- Insert chute for cleaning tablets (optional)
- Toilet connection elbow



Order No.		DU 1	DU 2	DU 3
9300388	NEW	1 pc.	10 pc.	60 pc.

TECEprofil – Toilet modules

TECEprofil toilet module with Uni cistern, for children's floor-standing toilet, installation height 1120 mm

Toilet module for attaching to TECEprofil section tubes or to install in metal or wooden stud walls and as pre-wall or corner module; also suitable for single block assembly.

Completely pre-assembled unit, consisting of:

Uni cistern for front actuation:

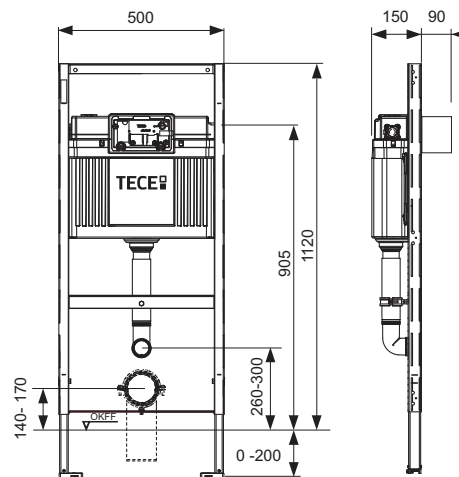
- Safety tank made of impact-resistant plastic
- Cistern fully pre-assembled and sealed
- Cistern connection with 1/2" inner thread
- 10 litre tank volume; 6 litre pre-set standard flush volume; option of setting a 4.5/7.5/9-litre flush at any time; 3 litre low-volume flush for dual-flush system. Remaining volume can be used for immediate cleaning flush
- Insulated against condensation water
- For TECE flush plates and toilet flush handle
- Can be set as a single or dual-flush cistern depending on the flush plate used
- Certified in accordance with EN 14055
- Fitting group 1 in accordance with DIN 4109
- Low-noise hydraulic filling valve

Module consisting of:

- Self-supporting installation frame, powder-coated

Please order separately:

- Toilet flush plate (see flush plates)
- Fitting for pre-wall, corner or wooden stud structures
- Insert chute for cleaning tablets
- Toilet connection elbow



Follow-up item see 9300388
with new scope of service and supply.

Order No.		DU 1	DU 2	DU 3
9300088	SALE	1 pc.	10 pc.	60 pc.

TECEprofil toilet module with Uni cistern for universal connection of a **NEW** shower toilet, installation height 1120 mm

Toilet module including “easy fit” flush plate installation and conduit to connect electronic shower toilets. For fitting to TECEprofil section tubes or for installation in metal or wooden stud walls and as a pre-wall or corner module; also suitable for single block assembly.

Uni cistern for front actuation:

- Safety tank made of impact-resistant plastic, tested to EN 14055
- Cistern fully pre-assembled and sealed.
- Cistern connection with outer thread R 1/2" at the side, compatible with quick adapters
- 10 litre tank volume; 6 litre pre-set standard flush volume, 4.5/7.5/9-litre flush volume can be set at any time; 3-litre partial flush volume for dual-flush system; remaining volume can be used for immediate cleaning flush.
- Insulated against condensation water
- For TECE flush plates and toilet flush handle
- Can be used as a single or dual-flush cistern
- “easy fit” flush plate installation
- Low-noise hydraulic filling valve, fitting group 1 according to DIN 4109

Module frame:

- Self-supporting, powder-coated
- Two M 12 retaining bolts and nuts
- Toilet drain bend DN 90 with joint adapter DN 90/100, made of PP
- Joint adapter also suitable for horizontal installation
- Toilet connection set DN 90
- Cable box for universal positioning of the power connection
- Shell structure cover with protective plug
- Conduit for universal shower toilet water connection (check connection position)
- Shell protection for shower toilet connection, including conduit for transformer

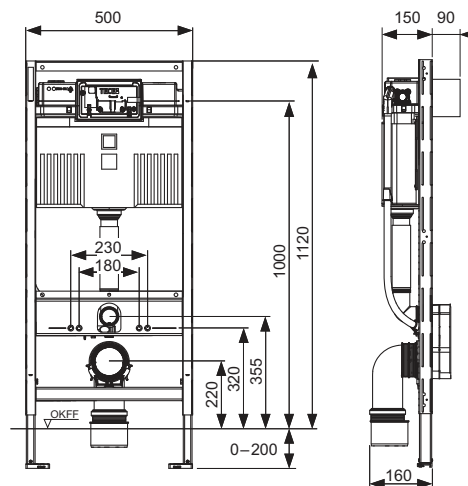
A raised ceramic attachment for a sitting height of 48 cm can be added in keeping with German standard DIN 18040 (DIN 18040: Barrier-free construction - Part 1: Publicly accessible buildings and workplaces).

Please order separately:

- Toilet flush plate (see flush plates)
- Fitting for pre-wall, corner or wooden stud wall structures
- Fine installation set for universal shower toilet module 1120 mm
- Insert chute for cleaning tablets (optional)

Note:

If toilet ceramics with a reduced supporting surface are used (= distance from middle of fixing bolt to lower edge of supporting surface is not larger than 18 cm) - e.g. V & B Memento, Subway 2.0 - it is necessary to install the steel brace set 9041029 in the lower build space.



Order No.		DU 1	DU 2	DU 3
9300379	NEW	1 pc.	10 pc.	60 pc.

TECEprofil – Toilet modules

TECEprofil toilet module with Uni cistern for universal connection of a shower toilet, installation height 1120 mm

Toilet module for fitting to TECEprofil section tubes or for installation in metal or wooden stud walls and as a pre-wall or corner module; also suitable for single block assembly.

Enables the universal connection of a shower toilet with concealed water and power connection, e.g. Geberit AquaClean 8000/Sela/Mera, Duravit Senso-Wash C, V & B ViClean, TOTO RX/SX/SG 2.0/EK 2.0/GL 2.0, Vitra V-care.

Products from other manufacturers can also be connected. However, the connection positions have to be verified beforehand.

Fully pre-assembled unit consisting of:

Uni cistern for front actuation:

- Safety tank made of impact-resistant plastic
- Cistern completely pre-assembled and sealed
- Cistern connection with 1/2" inner thread
- 10 litre tank volume; 6 litre pre-set standard flush volume; 4.5/7.5/9-litre flush volume setting option at any time; 3-litre partial flush volume with dual-flush system. Remaining volume can be used for immediate cleaning flush.
- Insulated against condensation water
- For TECE flush plates and toilet flush handle
- Can be set as a single or dual-flush cistern depending on the flush plate used.
- Certified in accordance with EN 14055
- Fitting group 1 in accordance with DIN 4109
- Low-noise hydraulic filling valve

Module consisting of:

- Self-supporting installation frame, powder-coated
- Two M 12 retaining bolts and nuts
- Toilet drain bend DN 90 incl. joint adapter DN 90/100 made of PP
- Joint adapter also suitable for horizontal installation
- Toilet connection set DN 90
- Conduit incl. insert funnel for universal positioning of the water connection
- Cable box for universal positioning of the power connection
- Shell structure cover with protective plugs

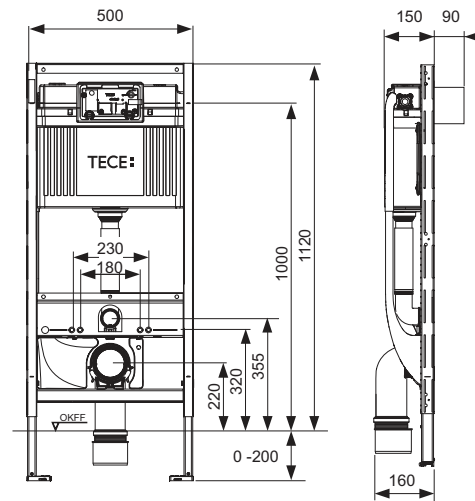
A ceramic mounting for a sitting height of 48 cm can be added in keeping with German standard DIN 18040 (DIN 18040: Barrier-free construction - Part 1: Publicly accessible buildings and workplaces).

Please order separately:

- Toilet flush plate (see flush plates)
- Fitting for individual pre-wall, corner or wooden post-and-beam structures
- Insert chute for cleaning tablets
- Fine installation set for universal shower toilet module 1120 mm

Note:

If toilet ceramics with a reduced supporting surface are used (e.g. V & B Memento, Subway 2.0) it is necessary to install the steel brace set 9041029 in the lower build space.



Follow-up item see 9300300 with new scope of service and supply.

Order No.		DU 1	DU 2	DU 3
9300079	SALE	1 pc.	10 pc.	60 pc.

TECEprofil toilet module with Uni cistern for universal connection of a **NEW** shower toilet, installation height 980 mm

Toilet module including “easy fit” flush plate installation and conduit to connect electronic shower toilets. For installation in a TECEprofil pre-wall or in front of a solid wall.

Uni cistern for front or top actuation:

- Safety tank made of impact-resistant plastic, tested to EN 14055
- Cistern fully pre-assembled and sealed.
- Cistern connection with outer thread R 1/2" at the side, compatible with quick adapters
- 10 litre tank volume; 6 litre pre-set standard flush volume, 4.5/7.5/9-litre flush volume can be set at any time; 3-litre partial flush volume for dual-flush system; remaining volume can be used for immediate cleaning flush.
- Insulated against condensation water
- For TECE flush plates and toilet flush handle
- Can be used as a single or dual-flush cistern
- “easy fit” flush plate installation
- Low-noise hydraulic filling valve, fitting group 1 according to DIN 4109

Module frame:

- Self-supporting, powder-coated
- Two M 12 retaining bolts and nuts
- Two depth-adjustable module attachments
- Toilet drain bend DN 90 with joint adapter DN 90/100, made of PP
- Joint adapter also suitable for horizontal installation
- Toilet connection set DN 90
- Cable box for universal positioning of the power connection
- Shell structure cover with protective plug
- Conduit for universal shower toilet water connection (check connection position)
- Shell protection for shower toilet connection, including conduit for transformer

Please order separately:

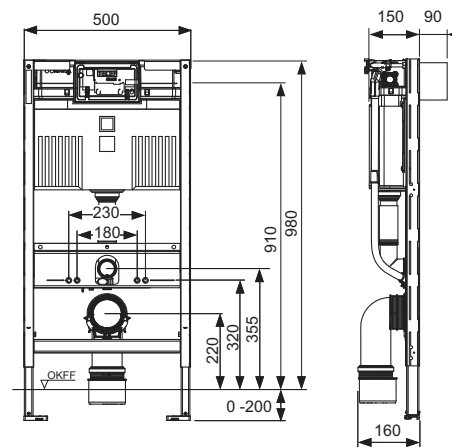
- Toilet flush plate (see flush plates)
- Insert chute for cleaning tablets (optional, front actuation only)
- Fine installation set for universal shower toilet module 980 mm

Note:

If toilet ceramics with a reduced supporting surface are used (= distance from middle of fixing bolt to lower edge of supporting surface is not larger than 18 cm) - e.g. V & B Memento, Subway 2.0 - it is necessary to install the steel brace set 9041029 in the lower build space.

Caution:

If the flush plate is fitted in front of cisterns with low installation height and a compact ceramic is used, the toilet lid may occasionally drop down unintentionally. When using compact ceramics fit the flush plate with top actuation only.



Order No.		DU 1	DU 2	DU 3
9300382	NEW	1 pc.	10 pc.	60 pc.

TECEprofil – Toilet modules

TECEprofil toilet module with Uni cistern for universal connection of a shower toilet, installation height 980 mm

Toilet module for installation in a TECEprofil pre-wall or in front of a solid wall.

Enables the universal connection of a shower toilet with concealed water and power connection, e.g. Geberit AquaClean 8000/Sela/Mera, Duravit Senso-Wash C, V & B ViClean, TOTO RX/SX/SG 2.0/EK 2.0/GL 2.0, Vitra V-care.

Products from other manufacturers can also be connected.

However, the connection positions have to be verified beforehand.

Fully pre-assembled unit consisting of:

Uni cistern for front or top actuation:

- Safety tank made of impact-resistant plastic
- Cistern completely pre-assembled and sealed
- Cistern connection with 1/2" inner thread
- 10 litre tank volume; 6 litre pre-set standard flush volume; 4.5/7.5/9-litre flush volume setting option at any time; 3-litre partial flush volume with dual-flush system. Remaining volume can be used for immediate cleaning flush.
- Insulated against condensation water
- For TECE flush plates and toilet flush handle
- Can be set as a single or dual-flush cistern depending on the flush plate used
- Certified in accordance with EN 14055
- Fitting group 1 in accordance with DIN 4109
- Low-noise hydraulic filling valve

Module consisting of:

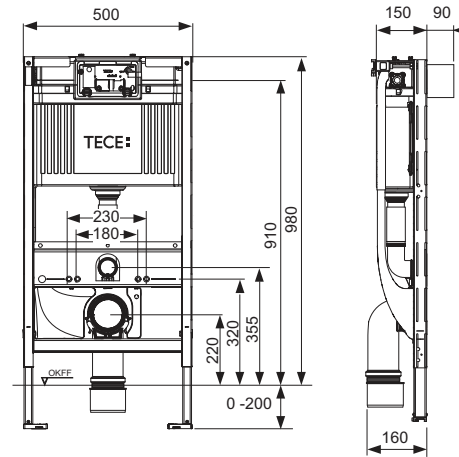
- Self-supporting installation frame, powder-coated
- Two M 12 retaining bolts and nuts
- Two depth-adjustable module attachments
- Toilet drain bend DN 90 incl. joint adapter DN 90/100 made of PP
- Joint adapter also suitable for horizontal installation
- Toilet connection set DN 90
- Conduit incl. insert funnel for universal positioning of the water connection
- Cable box for universal positioning of the power connection
- Shell structure cover with protective plugs

Please order separately:

- Toilet flush plate (see flush plates)
- Insert chute for cleaning tablets
- Fine installation set for universal shower toilet module 980 mm

Note:

- If toilet ceramics with a reduced supporting surface are used (= distance from middle of attachment bolt to lower edge of supporting surface is not greater than 18 cm) - e.g. V & B Memento, Subway 2.0 - it is necessary to install the steel brace set 9041029 in the lower build space.
- If the flush plate is fitted in front of cisterns with low installation height and a compact ceramic is used, the toilet lid may occasionally drop down unintentionally. When using compact ceramics fit the flush plate with top actuation only.



Follow-up item see 9300322
with new scope of service and supply.

Order No.		DU 1	DU 2	DU 3
9300082	SALE	1 pc.	10 pc.	60 pc.

TECEprofil toilet module with Uni cistern for universal connection of a **NEW** shower toilet, installation height 820 mm

Toilet module including “easy fit” flush plate installation and conduit to connect electronic shower toilets. For installation in a TECEprofil pre-wall or in front of a solid wall.

Uni cistern for front or top actuation:

- Safety tank made of impact-resistant plastic, tested to EN 14055
- Cistern fully pre-assembled and sealed.
- Cistern connection with outer thread R 1/2" at the side, compatible with quick adapters
- 10 litre tank volume; 6 litre pre-set standard flush volume, 4.5/7.5/9-litre flush volume can be set at any time; 3-litre partial flush volume for dual-flush system; remaining volume can be used for immediate cleaning flush.
- Insulated against condensation water
- For TECE flush plates and toilet flush handle
- Can be used as a single or dual-flush cistern
- “easy fit” flush plate installation
- Low-noise hydraulic filling valve, fitting group 1 according to DIN 4109

Module frame:

- Self-supporting, powder-coated
- Two M 12 retaining bolts and nuts
- Two depth-adjustable module attachments
- Toilet drain bend DN 90 with joint adapter DN 90/100, made of PP
- Joint adapter also suitable for horizontal installation
- Toilet connection set DN 90
- Cable box for universal positioning of the power connection
- Shell structure cover with protective plug
- Conduit for universal shower toilet water connection (check connection position)
- Shell protection for shower toilet connection, including conduit for transformer

Please order separately:

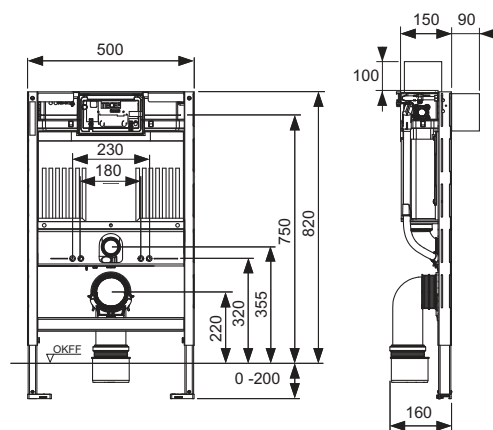
- Toilet flush plate (see flush plates)
- Insert chute for cleaning tablets (optional, front actuation only)
- Fine installation set for universal shower toilet module 820 mm

Note:

If toilet ceramics with a reduced supporting surface are used (= distance from middle of fixing bolt to lower edge of supporting surface is not larger than 18 cm) - e.g. V & B Memento, Subway 2.0 - it is necessary to install the steel brace set 9041029 in the lower build space.

Caution:

If the flush plate is fitted in front of cisterns with low installation height and a compact ceramic is used, the toilet lid may occasionally drop down unintentionally. When using compact ceramics fit the flush plate with top actuation only.



Order No.		DU 1	DU 2	DU 3
9300380	NEW	1 pc.	10 pc.	60 pc.

TECEprofil – Toilet modules

TECEprofil toilet module with Uni cistern for universal connection of a shower toilet, installation height 820 mm

Toilet module for installation in a TECEprofil pre-wall or in front of a solid wall.

Enables the universal connection of a shower toilet with concealed water and power connection, e.g. Geberit AquaClean 8000/Sela/Mera, Duravit Senso-Wash C, V & B ViClean, TOTO RX/SX/SG 2.0/EK 2.0/GL 2.0, Vitra V-care.

Products from other manufacturers can also be connected. However, the connection positions have to be verified beforehand.

Fully pre-assembled unit consisting of:

Uni cistern for front or top actuation:

- Safety tank made of impact-resistant plastic
- Cistern completely pre-assembled and sealed
- Cistern connection with 1/2" inner thread
- 10 litre tank volume; 6 litre pre-set standard flush volume; 4.5/7.5/9-litre flush volume setting option at any time; 3-litre partial flush volume with dual-flush system. Remaining volume can be used for immediate cleaning flush.
- Insulated against condensation water
- For TECE flush plates and toilet flush handle
- Can be set as a single or dual-flush cistern depending on the flush plate used
- Certified in accordance with EN 14055
- Fitting group 1 in accordance with DIN 4109
- Low-noise hydraulic filling valve

Module consisting of:

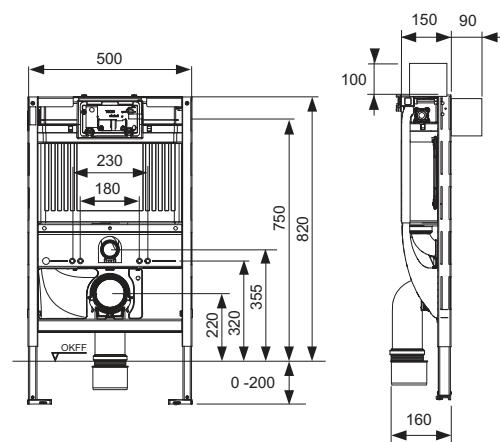
- Self-supporting installation frame, powder-coated
- Two M 12 retaining bolts and nuts
- Two depth-adjustable module attachments
- Toilet drain bend DN 90 incl. joint adapter DN 90/100 made of PP
- Joint adapter also suitable for horizontal installation
- Toilet connection set DN 90
- Conduit incl. insert funnel for universal positioning of the water connection
- Cable box for universal positioning of the power connection
- Shell structure cover with protective plugs

Please order separately:

- Toilet flush plate (see flush plates)
- Insert chute for cleaning tablets
- Fine installation set for universal shower toilet module 820 mm

Note:

- If toilet ceramics with a reduced supporting surface are used (= distance from middle of attachment bolt to lower edge of supporting surface is not greater than 18 cm) - e.g. V & B Memento, Subway 2.0 - it is necessary to install the steel brace set 9041029 in the lower build space.
- If the flush plate is fitted in front of cisterns with low installation height and a compact ceramic is used, the toilet lid may occasionally drop down unintentionally. When using compact ceramics fit the flush plate with top actuation only.



Follow-up item see 9300301 with new scope of service and supply.

Order No.		DU 1	DU 2	DU 3
9300080	SALE	1 pc.	10 pc.	60 pc.

TECEprofil washstand module, installation height 1120 mm

To attach to TECEprofil section tubes or to install in metal or wooden stud walls and as pre-wall or corner module.

Completely pre-assembled unit, consisting of:

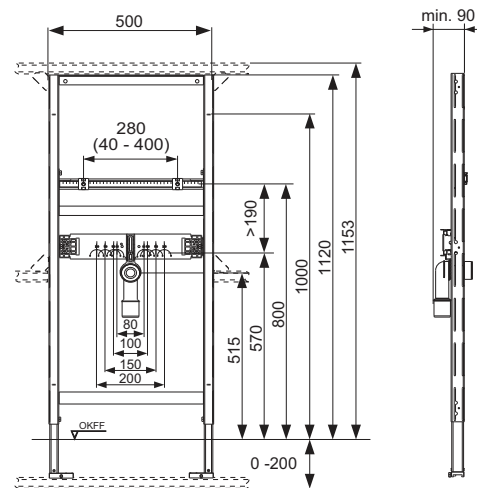
- Self-supporting assembly frame, powder coated
- Two M 10 retaining bolts, vertically and laterally adjustable distance gauge
- Sound-insulated mounting crossbeams to attach wall disks
- Connection bend DN 40/50 with rubber collar, NW 30/50 (also acts as seal), protective plug

Please order separately:

- Wall disks TECEflex 16 x 1/2", TECE 1/2" x 1/2", TECElogo 16 x 1/2" or TECElogo 20 universal connection x 1/2"
- Fitting for pre-wall, corner or wooden stud structures
- Mounting crossbeam for flush-mounted/wall-mounted fittings 9020041



Order No.	DU 1	DU 2	DU 3
9310000	1 pc.	10 pc.	60 pc.



TECEprofil – Washstand modules

TECEprofil washstand module, installation height 820-980 mm

Washstand module for attachment to TECEprofil section tubes or for installation in metal or wooden stud walls and as a pre-wall or corner module.

Completely pre-assembled unit, consisting of:

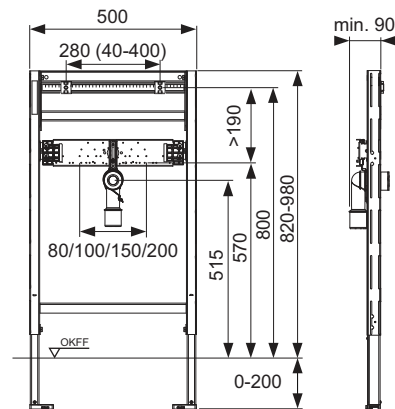
- Self-supporting assembly frame, powder-coated
- Two M 10, height and depth-adjustable retaining bolts, laterally adjustable distance gauge
- Sound-insulated mounting crossbeams to affix wall disks
- Connection elbow DN 40/50 with rubber collar, NW 30/50 (also acts as seal), including protective plug

Please order separately:

- Wall disks TECEflex 16 x 1/2", TECE 1/2" x 1/2", TECElogo 16 x 1/2" or TECElogo 20 universal connection x 1/2"
- Attachment for pre-wall, corner or wooden stud wall installation



Order No.	DU 1	DU 2	DU 3
9310018	1 pc.	10 pc.	60 pc.



TECEprofil washstand module with concealed odour trap, installation height 1120 mm

To attach to TECEprofil section tubes or to install in metal or wooden stud walls and as pre-wall or corner module.

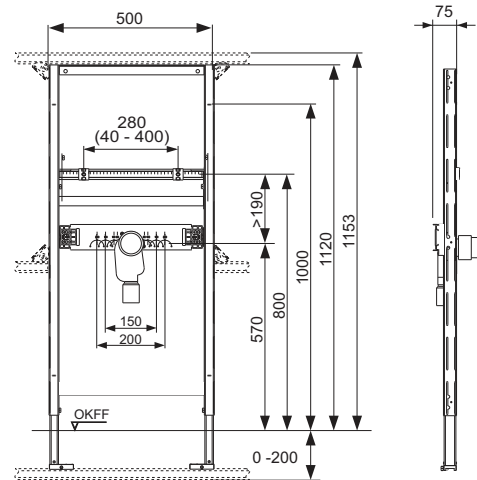
For construction of washstand units with a ground clearance to DIN 18040 – 1 (construction of accessible buildings – Part 1: Publicly accessible buildings).

Completely pre-assembled unit, consisting of:

- Self-supporting assembly frame, powder coated
- Two M 10 retaining bolts, vertically and laterally adjustable distance gauge
- Sound-insulated mounting crossbeams to affix wall disks, borehole gauges 150 mm and 200 mm
- DN 50 concealed odour trap with removable U-bend insert, nominal diameter 30, (also acts as seal) incl. protective plug

Please order separately:

- Wall disks TECEflex 16 x 1/2", TECE 1/2" x 1/2", TECElogo 16 x 1/2" or TECElogo 20 universal connection x 1/2"
- Connection bend for concealed odour trap 9080001
- Fitting for pre-wall, corner and wooden stud installation
- Mounting crossbeam for flush-mounted/wall-mounted fittings 9020041



Order No.	DU 1	DU 2	DU 3
9310004	1 pc.	10 pc.	60 pc.

TECEprofil – Washstand modules

TECEprofil washstand module with concealed odour trap, installation height 820-980 mm

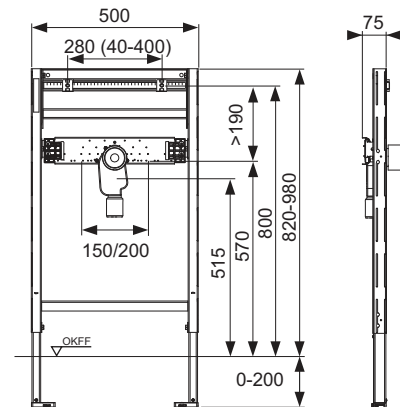
Washstand module for attachment to TECEprofil section tubes or for installation in metal or wooden stud walls and as a pre-wall or corner module. For construction of washstand units with a ground clearance to DIN 18040 – 1 (construction of accessible buildings – Part 1: Publicly accessible buildings)

Completely pre-assembled unit, consisting of:

- Self-supporting assembly frame, powder-coated
- Two M 10 retaining bolts, vertically and laterally adjustable distance gauge
- Sound-insulated mounting crossbeams to affix wall disks, borehole gauges 150 mm and 200 mm
- DN 50 concealed odour trap with removable siphon insert, NW 30 (also acts as seal), incl. protective plug

Please order separately:

- Wall disks TECEflex 16 x 1/2", TECE 1/2" x 1/2", TECElogo 16 x 1/2" or TECElogo 20 universal connection x 1/2"
- Connection elbow for concealed odour trap 9080001
- Attachment for pre-wall, corner or wooden stud wall installation



Order No.	DU 1	DU 2	DU 3
9310019	1 pc.	10 pc.	60 pc.

TECEprofil washstand module including two assembly blocks for mounting water meter measuring capsules, installation height 1120 mm

Washstand module for attachment to TECEprofil section tubes or for installation in metal or wooden stud walls and as a pre-wall or corner module.

Completely pre-assembled unit, consisting of:

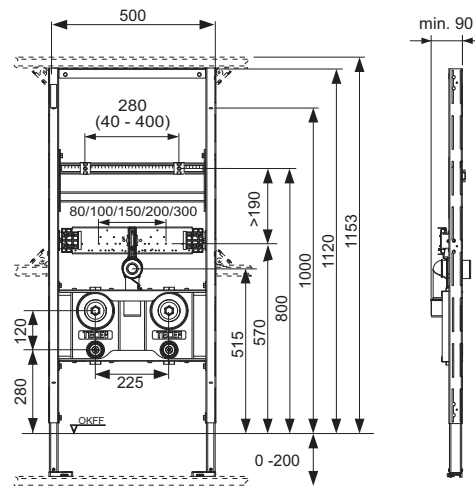
- Self-supporting assembly frame, powder-coated
- Two M 10, height and Depth-adjustable retaining bolts, laterally adjustable distance gauge
- Sound-insulated mounting crossbeams to affix wall disks
- Connection elbow DN 40/50 with rubber collar, NW 30/50 (also acts as seal), including protective plug
- Two assembly blocks with G 2" coaxial water meter (HWW model) with Rp 3/4" connection

Please order separately:

- Two final installation sets for flush-mounted valve, chromed
- Wall disks TECEflex 16 x 1/2", TECE 1/2" x 1/2", TECElogo 16 x 1/2" or TECElogo 20 universal connection x 1/2"
- Fitting for pre-wall, corner or wooden stud structures



Order No.	DU 1	DU 2	DU 3
9310017	1 pc.	10 pc.	60 pc.



TECEprofil – Washstand modules

TECEprofil washstand module for sink, installation height 1120 mm

To attach to TECEprofil section tubes or to install in metal or wooden stud walls and as pre-wall or corner module.

Completely pre-assembled unit, consisting of:

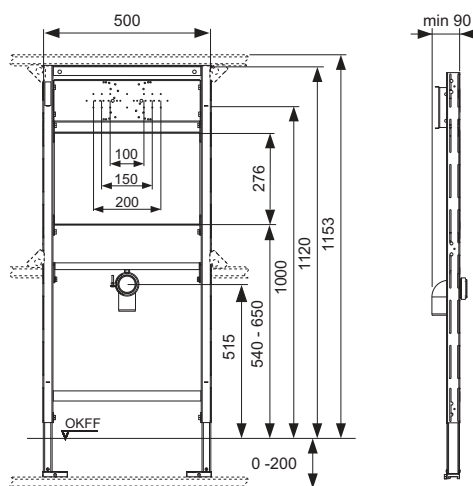
- Self-supporting assembly frame, powder coated
- Watertight glued mounting plate made of structural veneer pursuant to DIN 68705
- Mounting crossbeam for the attachment of wall-mounted fittings
- High-temperature connection bend DN 50 incl. protective plug

Please order separately:

- Wall disks TECEflex 16 x 1/2", TECE 1/2" x 1/2", TECElogo 16 x 1/2" or TECElogo 20 universal connection x 1/2"
- Fitting for pre-wall, corner or wooden stud structures



Order No.	DU 1	DU 2	DU 3
9310002	1 pc.	10 pc.	60 pc.



TECEprofil urinal module with TECE flush valve housing U 2, installation height 1120 mm

Urinal module for combination with TECEfilo urinal electronics, for fitting to TECEprofil section tubes or for installation in metal or wooden stud walls and as a pre-wall or corner module.

Completely pre-assembled unit, consisting of:

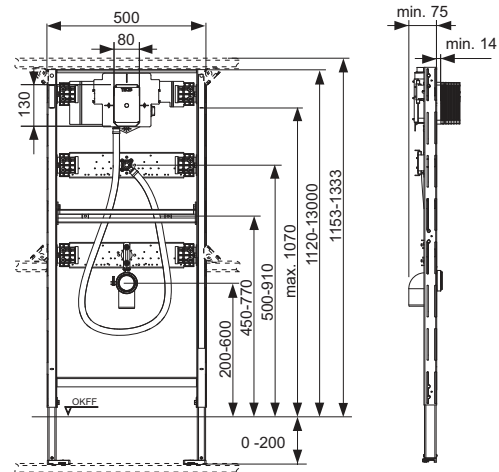
- TECE urinal flush valve housing U 2 with inlet flow control and bare-wall protection system
- 230 V/12 V integrated transformer for direct 230 V connection
- Connection IT Rp 1/2"
- Two adjustable supports for floor projections of 0-200 mm
- Installation depth 75 mm
- Two M 8 retaining bolts
- Continuously adjustable fixing rails
- Continuously height-adjustable drain connection
- Connection bend DN 50 including protective plugs
- Mounting material for urinal
- Inlet fitting 1/2"

Please order separately:

- TECEfilo urinal electronics (see section on urinal actuators)
- Fitting for individual pre-wall, corner or wooden stud structures

Caution:

Not suitable for semi-recessed urinals.



Order No.	DU 1	DU 2
9320013	1 pc.	10 pc.

TECEprofil – Urinal modules

TECEprofil urinal module with TECE flush valve housing U 1, installation height 1120 mm

Urinal module to hold manual and electronic actuation systems. For fitting to TECEprofil section tubes or for installation in metal or wooden stud walls and as a pre-wall or corner module.

Completely pre-assembled unit, consisting of:

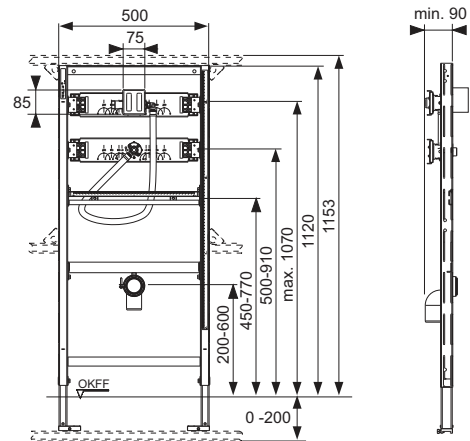
- TECE urinal flush valve housing U 1 with inlet flow control and bare-wall protection system
- Connection Rp 1/2"
- Two adjustable supports for floor projections of 0-200 mm
- Two M 8 retaining bolts
- Continuously adjustable fixing rails
- Continuously height-adjustable drain connection
- Connection bend DN 50 including protective plugs
- Mounting material for urinal
- Inlet fitting 1/2"

Please order separately:

- Manual actuation or electronic (TECESquare, TECEloop, TECEsolid, TECEplanus and TECEnow Urinal)
- Attachment for individual pre-wall, corner or wooden stud wall assembly

Caution:

Not suitable for semi-recessed urinals.



Order No.	DU 1	DU 2	DU 3
9320008	1 pc.	10 pc.	60 pc.

TECEprofil urinal module for wall-mounted flush valve, installation height 1120 mm

Urinal module to hold wall-mounted flush valves. To attach to TECEprofil section tubes or to install in metal or wooden stud walls and as pre-wall or corner module.

Completely pre-assembled unit, consisting of:

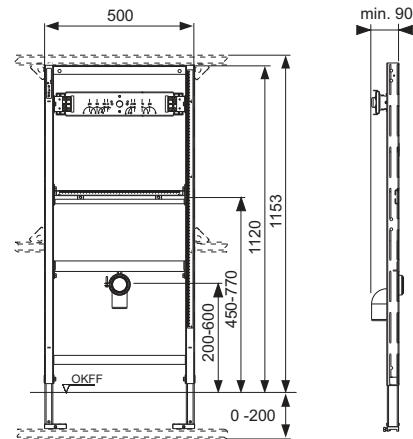
- Self-supporting installation frame, powder coated
- Two adjustable supports for floor constructions between 0-200 mm
- Two M 8 retaining bolts
- Continuously adjustable fixing rails
- Continuously height-adjustable drain connection
- DN 50 high-temperature drain bend incl. protective plug
- Mounting material for urinal

Please order separately:

- Fitting for pre-wall, corner or wooden stud structures



Order No.	DU 1	DU 2	DU 3
9320010	1 pc.	10 pc.	60 pc.



TECEprofil – Bath/shower module

TECEprofil bath/shower module for flush-mounted and wall-mounted fittings, installation height 1120 mm

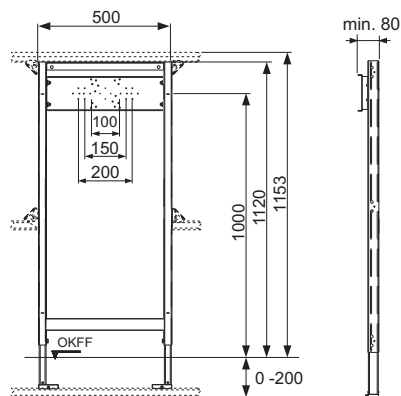
To take wall-mounted or flush-mounted fittings.

To attach to TECEprofil section tubes or to install in metal or wooden stud walls and as pre-wall or corner module.

Completely pre-assembled unit, consisting of:

- Self-supporting installation frame, powder coated
- Two adjustable supports for floor constructions between 0-200 mm
- Continuously adjustable crossbeam to take flush-mounted fittings or wall disks

Order No.	DU 1	DU 2	DU 3
9340000	1 pc.	10 pc.	60 pc.



TECEprofil bidet module for wall-mounted bidet, installation height 1120 mm

To attach to TECEprofil section tubes or to install in metal or wooden stud walls and as pre-wall or corner module.

Completely pre-assembled unit, consisting of:

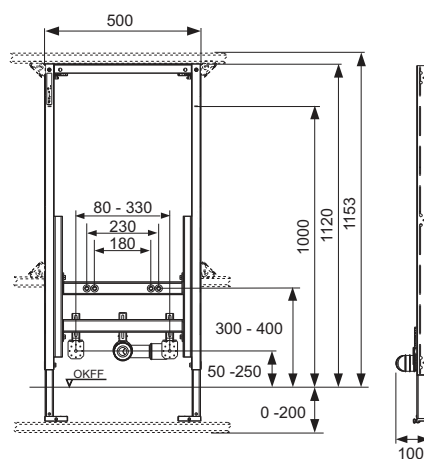
- Self-supporting, powder coated assembly frame and two adjustable supports for floor constructions between 0-200 mm
- Two M 12 retaining bolts and nuts
- Continuously height-adjustable drain connection
- Connection bend DN 40/50, with rubber collar, nominal diameter 30/50, (also acts as seal), incl. protective plug

Please order separately:

- Wall disks TECEflex 16 x 1/2", TECE 1/2" x 1/2", TECElogo 16 x 1/2" or TECElogo 20 universal connection x 1/2"
- Fitting for pre-wall, corner or wooden stud structures



Order No.	DU 1	DU 2	DU 3
9330000	1 pc.	10 pc.	60 pc.



TECEprofil – Bidet modules

TECEprofil bidet module for wall-mounted bidet, installation height 820 mm

To attach to TECEprofil section tubes or to install in metal or wooden stud walls and as pre-wall or corner module.

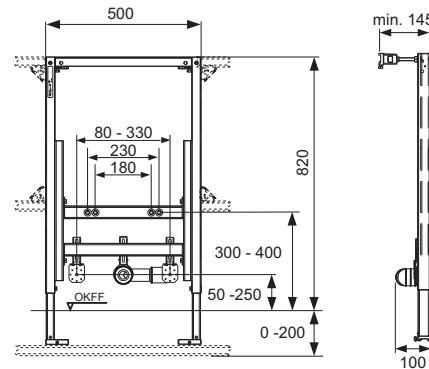
Completely pre-assembled unit, consisting of:

- Self-supporting, powder coated assembly frame and two adjustable supports for floor constructions between 0-200 mm
- Two M 12 retaining bolts and nuts
- Continuously height-adjustable drain connection
- Connection bend DN 40/50, with rubber collar, nominal diameter 30/50, (also acts as seal), incl. protective plug
- Two depth-adjustable module attachments

In combination with telescopic attachment 9380001 it can also be fitted in a TECEprofil pre-wall for installation height 980 mm.

Please order separately:

- Fitting for corner or wooden stud structures
- Wall disks TECEflex 16 x 1/2", TECE 1/2" x 1/2", TECElogo 16 x 1/2" or TECElogo 20 universal connection x 1/2"
- Telescopic attachment TECEprofil for modules 9380001



Order No.	DU 1	DU 2	DU 3
9330005	1 pc.	10 pc.	60 pc.

TECEprofil module for safety arm support and support systems

For installation in a UA profile stud walls or as pre-wall element.

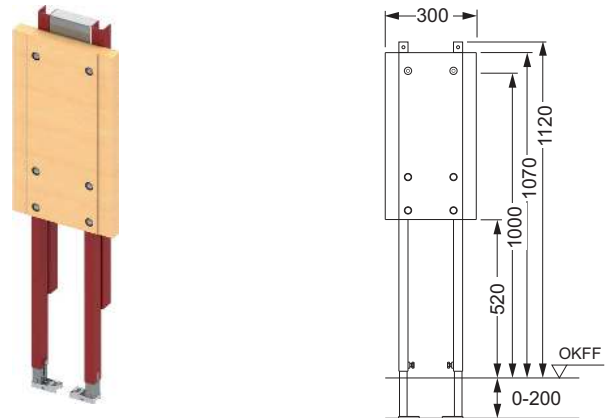
Completely pre-assembled unit, consisting of:

- Self-supporting mounting frame, powder-coated
- Watertight, multi-glued wood inlay panel
- Mounting materials for fixing to a UA profile wall

Please order separately:

- Depth-adjustable module attachment for pre-wall assembly

Order No.	DU 1	DU 2	DU 3
9360000	1 pc.	10 pc.	60 pc.



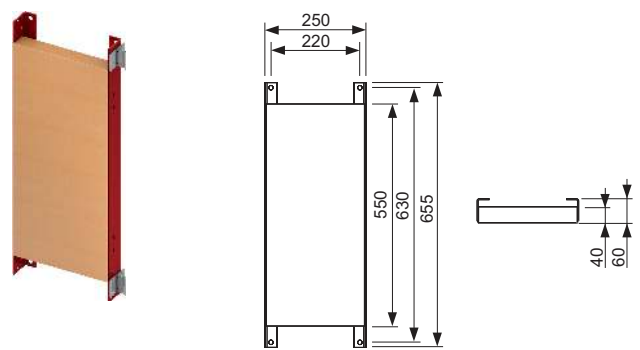
TECEprofil mounting plate for safety arm support and support systems

For the stable fixing of support handles and holding systems in a TECEprofil supporting structure or a UA profile stud wall.

Pre-assembled unit, consisting of:

- Attachment plate for screwing to a TECEprofil universal module, of water-tight glued veneer
- Two multi-clamps for fixing to the TECEprofil supporting structure

Order No.	DU 1
9042003	1 pc.



TECEprofil module attachment with depth adjustment and quick closure

To attach modules to a solid structural wall and to the TECEprofil section tube, installation spacing 150-240 mm.

Consisting of:

- Two depth-adjustable module attachments
- Mounting materials

Order No.	DU 1	DU 2
9380014	1 pc.	15 pc.



TECEprofil wall attachment

Single module attachment to fasten a module to a stable wall.

Order No.	DU 1	DU 2
9380300	1 pc.	20 pc.



TECEprofil wall attachment 45°

Module attachment to fasten a module to a stable wall at a 45° angle.

Order No.	DU 1	DU 2
9380301	1 pc.	20 pc.



TECEprofil – Accessories

TECEprofil hanger bolts for solid walls

Module attachment using hanger bolts in front of solid walls. For supporting structure heights of 145-175 mm.

Consisting of:

- Two hanger bolts with dowels
- Four flange nuts



Order No.	DU 1	DU 2
9380007	10 pc.	40 pc.

TECEprofil mounting set for UA profile walls

Fixing material to attach TECEprofil modules to lateral flush-mounted profiles. Suitable for flush-mounted 50 profiles to DIN 18182 Part 1.

Consisting of:

- Four bolts with nuts
- Eight washers



Order No.	DU 1	DU 2
9380006	1 set	5 set

TECEprofil mounting set for wooden stud walls

Fixing material to attach TECEprofil modules to lateral stud structures.

Consisting of:

- Four hexagonal head wood screws
- Four washers



Order No.	DU 1	DU 2
9380005	1 set	5 set

TECEprofil panel kit for niches

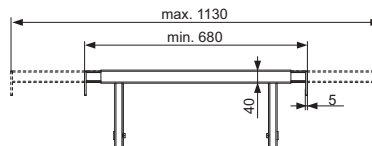
Drain top for TECEprofil modules for assembly and attachment in niches of 680-1130 mm, inclusive mounting materials.

Note:

Top actuation is not possible when used in combination with toilet modules with an installation height of 820/980 mm.



Order No.	DU 1
9380013	1 pc.

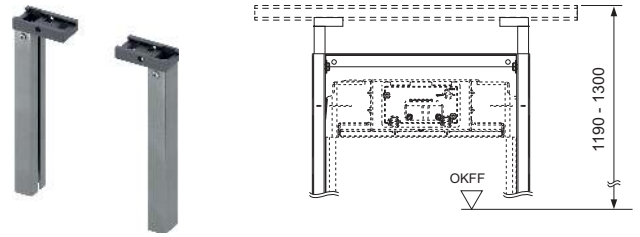


TECEprofil telescopic attachment for modules

To extend the lateral module braces and to fix to a horizontal TECEprofil brace.

Consisting of:

- Two height-adjustable module attachments
- Mounting material for fitting to TECEprofil section tube



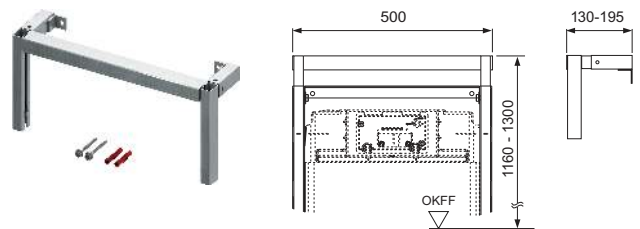
Order No.	DU 1	DU 2
9380001	1 pc.	5 pc.

TECEprofil height-adjustable module attachment for individual assembly

To attach TECEprofil modules to a solid or lightweight wall. Makes it possible to adjust the depth and height of the storage surfaces.

Completely pre-assembled unit, consisting of:

- Assembly crossbeam with galvanised surface
- Two wall attachments, height-adjustable, for adjustment to tile pattern
- Mounting material for assembly in front of the wall



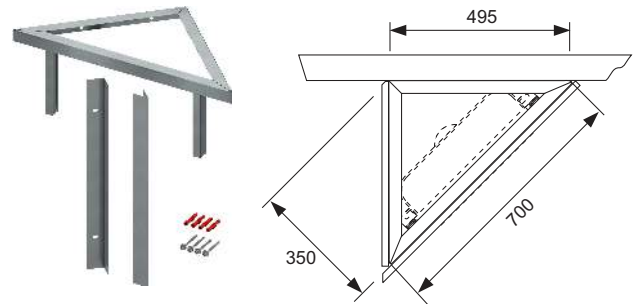
Order No.	DU 1
9380002	1 pc.

TECEprofil module attachment for wall corner installation

To attach TECEprofil modules to a solid or lightweight wall at a 45° angle. Only one side needs to be screwed to the wall.

Completely pre-assembled unit, consisting of:

- Assembly crossbeam with galvanised surface, height-adjustable, for adaptation to tile pattern
- Galvanised light weight wall profile to attach panel facing
- Mounting material for assembly on the wall



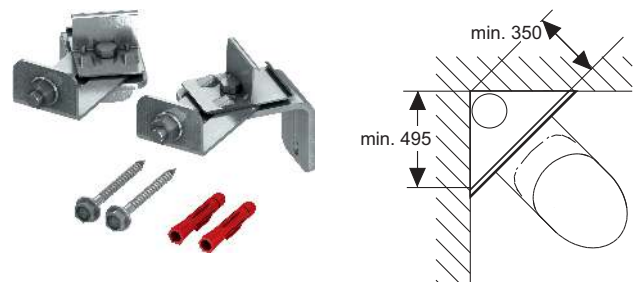
Order No.	DU 1
9380004	1 pc.

TECEprofil module attachment for variable corner installation

To attach TECEprofil modules in front of a structural corner. Space-saving corner assembly, incl. fitting of downpipes, ventilation pipes or supply pipes behind the module, is an option with all modules.

Consisting of:

- Two wall attachments for corner assembly, variable elbow
- Mounting material for assembly in front of the wall



Order No.	DU 1	DU 2
9380003	1 set	5 set

TECEprofil – Accessories

TECEprofil steel brace set

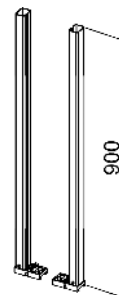
For additional support in module frames for toilet ceramics with a reduced supporting surface (= distance from middle of attachment bolt to lower edge of supporting surface is not greater than 18 cm) - e.g. V & B Memento and Subway 2.0. Suitable for installation in all TECEprofil toilet modules.



Order No.	DU 1
9041029	1 pc.

TECEprofil module feet, extended design

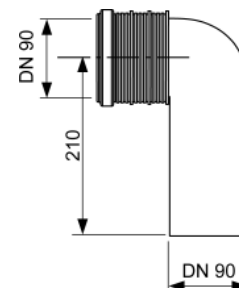
To install in TECEprofil modules with floor extensions from min. 20 cm and max. 50 cm. Galvanised version with TECEprofil module foot.



Order No.	DU 1
9030028	1 pc.

TECEprofil 90° toilet connection elbow – DN 90/90

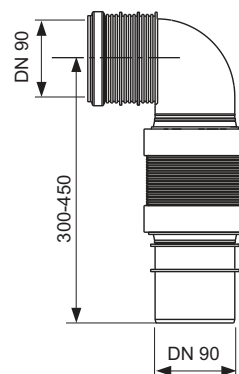
To connect a toilet module to a DN 90 drain pipe, three adjustable depths.



Version	Order No.	DU 1	DU 2
PE-HD	9820315	1 pc.	10 pc.
PP	9820134	1 pc.	-

TECEprofil flexible toilet connection bend DN 90

Flexible drain bend DN 90, connection piece material PE-HD (weldable).



Order No.	DU 1
9820317	1 pc.

TECEprofil extended toilet connection set 30 cm, DN 90

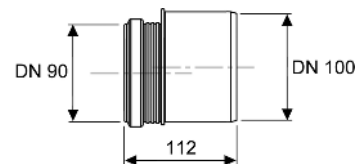
PE connection set for wall-mounted toilets.



Order No.	DU 1
9820214	1 pc.

TECEprofil 90° toilet connector, DN 90/100

Toilet connector to connect toilet modules horizontally to a DN 100 drain pipe.



Version	Order No.	DU 1	DU 2
PP	9820136	1 pc.	10 pc.
PVC	9820137	1 pc.	10 pc.
PE-HD	9820316	1 pc.	10 pc.

TECEprofil flush pipe for odour extraction

Replacement flush pipe for connection of odour extraction.



Version	Order No.	DU 1
DN 70 "right", 90°	9820078	1 pc.
DN 70 "left", 90°	9820126	1 pc.
DN 50 "right", 45°	9820127	1 pc.

TECEprofil upgrade set for shower toilet seats

Sound-insulated shell set for installation on all TECEprofil dry-wall modules; suitable for preparing water and power connection for shower toilet seats e.g. Duravit SensoWash D-Code and SensoWash Starck, TOTO Washlet Giovanni/GL 2.0/EK 2.0, AquaClean 4000/5000/5000plus, V & B viClean U.

Shell set consisting of:

- Hollow-wall box
- Retaining plate for hollow-wall box, for lateral assembly on the module frame
- Wall disk 1/2" x 1/2" incl. sound insulation
- Retaining plate for wall disk
- Seal sleeve
- Fixing screws



Order No.	DU 1
9880037	1 pc.

TECE upgrade set for TOTO Washlet SG 2.0

Sound-insulated shell set for installation on all TECEprofil dry-wall modules; suitable for preparing a water connection for Toto Washlet™ SG 2.0.

Shell set consisting of:

- Wall disk 1/2" x 1/2" including sound insulation
- Retaining plate for wall disk
- Sealing sleeve
- Fixing screws



Order No.	DU 1
9880049	1 pc.

TECEprofil water connection for shower toilet

Replacement reinforced hose with integrated Tee for Uni cisterns.



Order No.	DU 1
9880036	1 pc.

TECEprofil – Accessories

TECEprofil fine assembly set for shower toilet module

Fine installation set for connecting of a shower toilet to a TECEprofil toilet module with preassembled conduit or funnel.

Scope of delivery:

- Reinforced hose 3/8" IT, long
- Reinforced hose including 3/8" Tee with OT
- Threaded coupling 3/8" OT
- 3/8" plastic adapter for filling valve F 10



Version	Order No.	DU 1
Module height 1120 mm	9880052	1 pc.
Module height 980 mm	9880053	1 pc.
Module height 820 mm	9880054	1 pc.

TECEone upgrade set for dry-wall

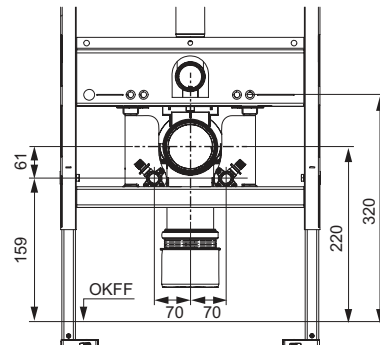
Sound-insulated shell set for pre-installation of dry-wall modules (installation depth minimum 15 cm) for the TECEone.

Shell set consisting of:

- Holding plates for hot and cold water connections
- Sound-proofing elements for wall disks
- Attachment screws for wall disks
- Safety pins for holding plates



Order No.	DU 1
9880046	1 pc.



TECEprofil sound-insulation kit for toilet and bidet

For sound insulation between the toilet or bidet ceramics and tile layer.

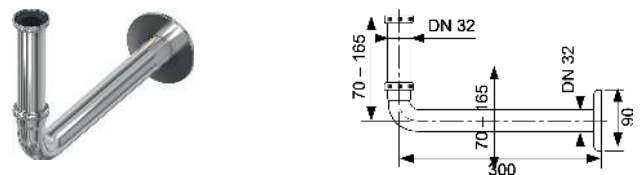
Order No.	DU 1	DU 2	DU 3
9200010	1 pc.	10 pc.	60 pc.



TECEprofil connection bend for concealed odour trap

Connection bend 1 1/4" x DN 32 with height-adjustable immersion pipe and covering anchor plate, chrome-plated brass.

Order No.	DU 1	DU 2
9080001	1 pc.	30 pc.



TECEprofil inlet fittings for urinal

Set consisting of:

- 1/2" connection piece
- Urinal connector



Order No.	DU 1
9820055	1 pc.

TECE corner valve key

For assembly/disconnection of corner valve in TECE cistern, with holder for 1/2" or 1/4" ratchet.



Order No.	DU 1
9820264	1 pc.

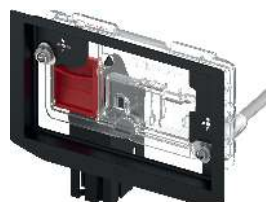
TECE insert chute for cleaning tablets

For inserting toilet cleaning tablets into TECE standard cistern (installation depth 13 cm). In combination with all TECE flush plates or TECElux glass facing with actuation unit, for front installation. Suitable for flush-mounted installation. All TECE flush plates can be retrofitted.

In brick-wall construction, to be used as of 16 mm wall thickness.
Maximum brick-wall construction thickness: 60 mm dry-wall construction,
75 mm brick-wall construction.

Caution:

The cleaning tablets used must not contain chlorine or any other oxidizing substances.



Order No.	DU 1
9240950*	1 pc.

TECE drain valve A 2

For TECE standard cisterns (installation depth 13 cm), including valve seat, throttle set and actuation.



Order No.	DU 1
9820223	1 pc.

* Not in combination with Octa cistern, 8 cm

TECEprofil – Accessories

TECE filling valve F 10 universal

Universal filling valve for installation in all TECE cisterns as well as almost all standard flush-mounted and wall-mounted cisterns from other manufacturers.

Product details:

- 3/8" metal connection thread
- Flow pressure 0.5-10 bar
- Minimum flow pressure 0.5 bar
- Adjustable fill height
- Adjustable outflow pipe
- Low-noise in accordance with group I (DIN 4109)
- Compact design
- Incl. adapter and attachment nut



Order No.	DU 1	DU 2	DU 3
9820353	1 pc.	10 pc.	240 pc.

TECE throttle set for flushing cisterns with an installation depth of 13 cm

To adapt the flushing pressure of the standard cisterns (installation depth 13 cm). Installation in valve seat of drain valve, diameter 46-28 mm.

Order No.	DU 1
9820337*	1 pc.



TECE throttle set for flushing cistern with an installation depth to 8.5 cm

Throttle set to adjust the flushing pressure of the TECE standard cisterns with low installation depth (up to 8.5 cm). Installs in valve seat of drain valve, diameter 32-28 mm.

Order No.	DU 1
9820394	1 pc.

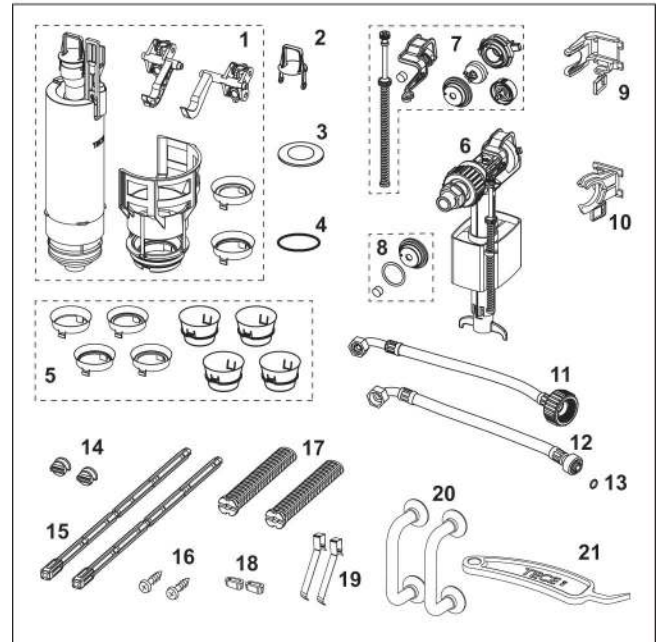


TECEprofil spare parts case for Uni cistern

Plastic assortment case with spare parts for the Uni cistern.



Pos.	Order No.	Designation	Quantity
1	9820223	Drain valve A 2	1
2	9820222	Draw eyelet	2
3	9820233	Gasket (drain valve)	5
4	9820005	O-ring (valve seat)	10
5	9820337*	Throttle set for cisterns with an installation depth of 13 cm	1
6	9820353	Filling valve F 10 universal	1
7	9820382	Filling valve F 10 valve lever set	3
8	9820383	Filling valve F 10 sealing kit	3
9	9820372	Filling valve holder for Uni cistern (17 mm, 3/8", up to 2019)	2
10	9820373	Filling valve holder for Uni cistern (27 mm, M 30, from 2020)	2
11	9820374	Reinforced hose M 30 (from 2020)	1
12	9820026	Reinforced hose 3/8" (until 2019)	1
13	9820025	O-ring	10
14	9820018	Clamping screws	5
15	9820022	Actuation rods	5
16	9820263	Fastening screws	10
17	9820019	Attaching rods	4
18	9820024	Rubber buffer, set of two	10
19	9820020	Push-button springs, set of two	10
20	9820180	Bow-type handles	1
21	9820390	Dismounting and programming key	1



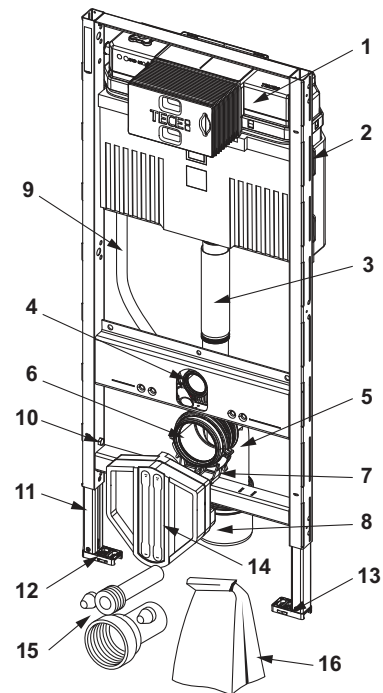
Order No.	DU 1
9820000	1 pc.

TECEprofil – Spare parts

9300300 – TECEprofil toilet module with Uni cistern, installation height 1120 mm

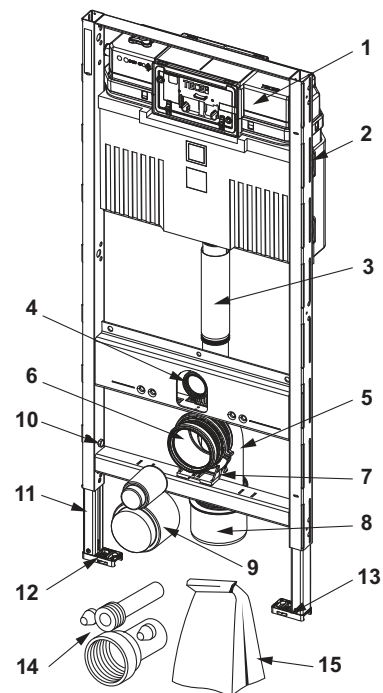
9300379 – TECEprofil toilet module with Uni cistern for universal connection of a shower toilet, installation height 1120 mm

Pos.	Order No.	Designation	DU 1
1	9820103	Uni cistern 1120 mm	1 pc.
2	9820040	Assembly kit for Uni cistern	1 pc.
3	9820011	Flush pipe with O-ring, length 269 mm, dry-wall construction	1 pc.
4	9820015	Flush pipe seal	1 pc.
5	9820134	Toilet drain bend DN 90 (PP)	1 pc.
6	9820139	Seal for toilet drain bend/adaptor	1 pc.
7	9820348	Toilet drain bend holder complete, underneath (from 04/2017)	1 pc.
8	9820136	Adapter DN 90/DN 100 (PP)	1 pc.
9	9820569	Attachment clips and conduit	NEW 1 pc.
10	9820447	Foot brake with steel spring	1 pc.
11	9820335	C-section for module foot	1 pc.
12	9820332	Module foot with toggle left	1 pc.
13	9820333	Module foot with toggle right	1 pc.
14	9820568	Bare-wall protection for shower toilet connection	NEW 1 pc.
15	9820057	Connection set DN 90 for toilet	1 pc.
16	9820043	By-pack for toilet module (mounting material, etc.)	1 pc.



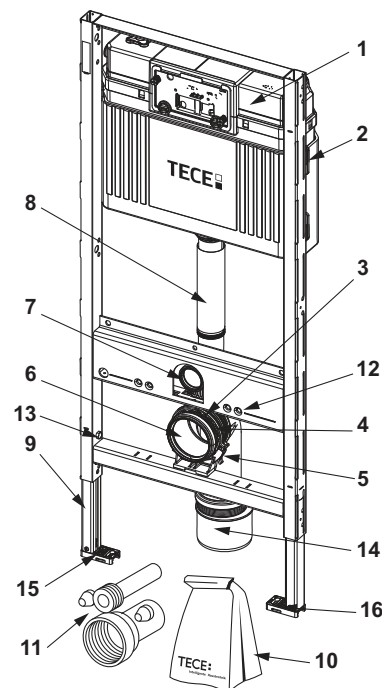
9300302 – TECEprofil toilet module with Uni cistern, installation height 1120 mm

Pos.	Order No.	Designation	DU 1
1	9820103	Uni cistern 1120 mm	1 pc.
2	9820040	Assembly kit for Uni cistern	1 pc.
3	9820011	Flush pipe with O-ring, length 269 mm, dry-wall construction	1 pc.
4	9820015	Flush pipe seal	1 pc.
5	9820134	Toilet drain bend DN 90 (PP)	1 pc.
6	9820139	Seal for toilet drain bend/adaptor	1 pc.
7	9820348	Toilet drain bend holder complete, underneath (from 04/2017)	1 pc.
8	9820136	Adapter DN 90/DN 100 (PP)	1 pc.
9	9820312	Bare wall toilet plug for flush pipe and drain bend	NEW 1 pc.
10	9820447	Foot brake with steel spring	1 pc.
11	9820335	C-section for module foot	1 pc.
12	9820332	Module foot with toggle left	1 pc.
13	9820333	Module foot with toggle right	1 pc.
14	9820057	Connection set DN 90 for toilet	1 pc.
15	9820043	By-pack for toilet module (mounting material, etc.)	1 pc.



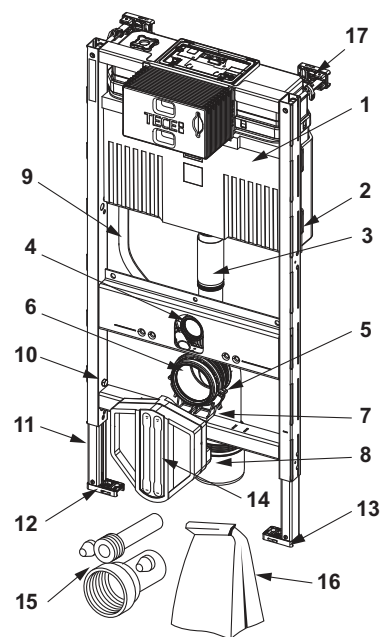
9300000 – TECEprofil toilet module with Uni cistern, installation height 1120 mm

Pos.	Order No.	Designation	DU 1
1	9820103	Uni cistern 1120 mm	1 pc.
2	9820040	Assembly kit for Uni cistern	1 pc.
3	9820041	Toilet drain bend holder (until 03/2017)	1 pc.
	9820348	Toilet drain bend holder complete, underneath (from 04/2017)	1 pc.
4	9820042	Bracket for toilet drain bend holder (until 03/2017)	1 pc.
5	9820134	Toilet drain bend DN 90 (PP)	1 pc.
6	9820139	Seal for toilet drain bend/adaptor	1 pc.
7	9820015	Flush pipe seal	1 pc.
8	9820011	Flush pipe with O-ring, length 269 mm, dry-wall construction	1 pc.
9	9820335	C-section for module foot	1 pc.
10	9820043	By-pack for toilet module (mounting material, etc.)	1 pc.
11	9820057	Connection set DN 90 for toilet	1 pc.
12	9820071	Clinch nut	1 pc.
13	9820447	Foot brake with steel spring	1 pc.
14	9820136	Adapter DN 90/DN 100 (PP)	1 pc.
15	9820332	Module foot with toggle left	1 pc.
16	9820333	Module foot with toggle right	1 pc.



9300322 – TECEprofil toilet module with Uni cistern, installation height 980 mm

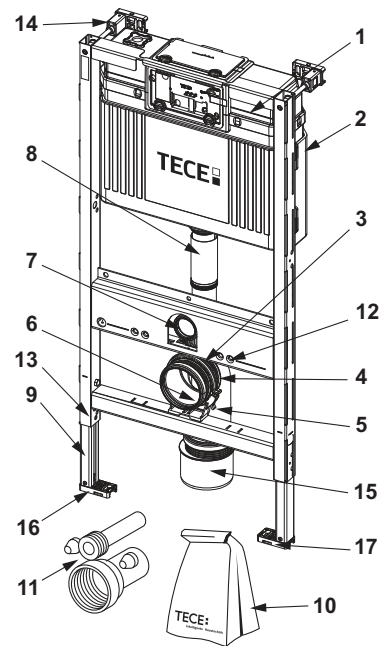
Pos.	Order No.	Designation	DU 1
1	9820101	Uni cistern 980 mm	1 pc.
2	9820040	Assembly kit for Uni cistern	1 pc.
3	9820099	Shortened flush pipe, length 185 mm	1 pc.
4	9820015	Flush pipe seal	1 pc.
5	9820134	Toilet drain bend DN 90 (PP)	1 pc.
6	9820139	Seal for toilet drain bend/adaptor	1 pc.
7	9820348	Toilet drain bend holder complete, underneath (from 04/2017)	1 pc.
8	9820136	Adapter DN 90/DN 100 (PP)	1 pc.
9	9820569	Attachment clips and conduit	NEW 1 pc.
10	9820447	Foot brake with steel spring	1 pc.
11	9820335	C-section for module foot	1 pc.
12	9820332	Module foot with toggle left	1 pc.
13	9820333	Module foot with toggle right	1 pc.
14	9820568	Bare-wall protection for shower toilet connection	NEW 1 pc.
15	9820057	Connection set DN 90 for toilet	1 pc.
16	9820043	By-pack for toilet module (mounting material, etc.)	1 pc.
17	9380014	Wall attachment with quick closure	1 pc.



TECEprofil – Spare parts

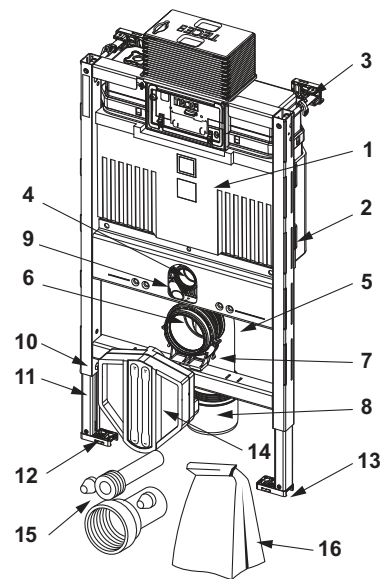
9300022 – TECEprofil toilet module with Uni cistern, installation height 980 mm

Pos.	Order No.	Designation	DU 1
1	9820101	Uni cistern 980 mm	1 pc.
2	9820040	Assembly kit for Uni cistern	1 pc.
3	9820041	Toilet drain bend holder (until 03/2017)	1 pc.
	9820348	Toilet drain bend holder complete, underneath (from 04/2017)	1 pc.
4	9820042	Bracket for toilet drain bend holder (until 03/2017)	1 pc.
5	9820134	Toilet drain bend DN 90 (PP)	1 pc.
6	9820139	Seal for toilet drain bend/adaptor	1 pc.
7	9820015	Flush pipe seal	1 pc.
8	9820099	Shortened flush pipe, length 185 mm	1 pc.
9	9820335	C-section for module foot	1 pc.
10	9820043	By-pack for toilet module (mounting material, etc.)	1 pc.
11	9820057	Connection set DN 90 for toilet	1 pc.
12	9820071	Clinch nut	1 pc.
13	9820447	Foot brake with steel spring	1 pc.
14	9380014	Wall attachment with quick closure	1 pc.
15	9820136	Adapter DN 90/DN 100 (PP)	1 pc.
16	9820332	Module foot with toggle left	1 pc.
17	9820333	Module foot with toggle right	1 pc.



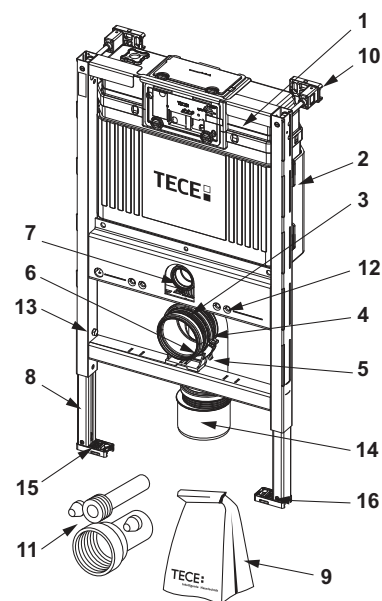
9300301 – TECEprofil toilet module with Uni cistern, installation height 820 mm

Pos.	Order No.	Designation	DU 1
1	9820100	Uni cistern 820 mm	1 pc.
2	9820040	Assembly kit for Uni cistern	1 pc.
3	9380014	Wall attachment with quick closure	1 pc.
4	9820015	Flush pipe seal	1 pc.
5	9820134	Toilet drain bend DN 90 (PP)	1 pc.
6	9820139	Seal for toilet drain bend/adaptor	1 pc.
7	9820348	Toilet drain bend holder complete, underneath (from 04/2017)	1 pc.
8	9820136	Adapter DN 90/DN 100 (PP)	1 pc.
9	9820569	Attachment clips and conduit	NEW 1 pc.
10	9820447	Foot brake with steel spring	1 pc.
11	9820335	C-section for module foot	1 pc.
12	9820332	Module foot with toggle left	1 pc.
13	9820333	Module foot with toggle right	1 pc.
14	9820568	Bare-wall protection for shower toilet connection	NEW 1 pc.
15	9820057	Connection set DN 90 for toilet	1 pc.
16	9820043	By-pack for toilet module (mounting material, etc.)	1 pc.



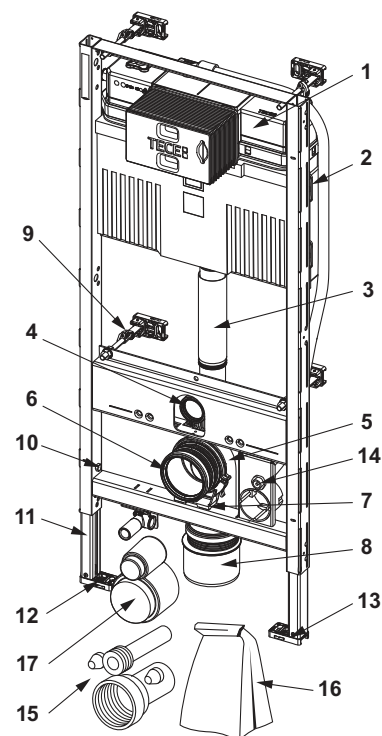
9300001 – TECEprofil toilet module with Uni cistern, installation height 820 mm

Pos.	Order No.	Designation	DU 1
1	9820100	Uni cistern 820 mm	1 pc.
2	9820040	Assembly kit for Uni cistern	1 pc.
3	9820041	Toilet drain bend holder (until 03/2017)	1 pc.
	9820348	Toilet drain bend holder complete, underneath (from 04/2017)	1 pc.
4	9820042	Bracket for toilet drain bend holder (until 03/2017)	1 pc.
5	9820134	Toilet drain bend DN 90 (PP)	1 pc.
6	9820139	Seal for toilet drain bend/adaptor	1 pc.
7	9820015	Flush pipe seal	1 pc.
8	9820335	C-section for module foot	1 pc.
9	9820043	By-pack for toilet module (mounting material, etc.)	1 pc.
10	9380014	Wall attachment with quick closure	1 pc.
11	9820057	Connection set DN 90 for toilet	1 pc.
12	9820071	Clinch nut	1 pc.
13	9820447	Foot brake with steel spring	1 pc.
14	9820136	Adapter DN 90/DN 100 (PP)	1 pc.
15	9820332	Module foot with toggle left	1 pc.
16	9820333	Module foot with toggle right	1 pc.



9300344 – TECEprofil toilet module TECEprofil with Uni cistern, for TOTO Neorest Washlet (WC) AC 2.0/EW 2.0, installation height 1120 mm

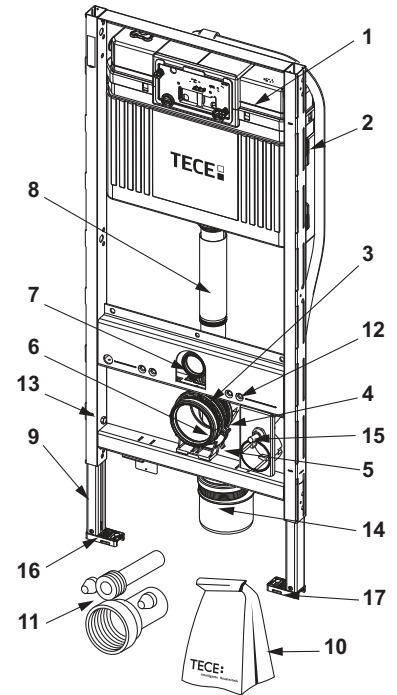
Pos.	Order No.	Designation	DU 1
1	9820103	Uni cistern 1120 mm	1 pc.
2	9820040	Assembly kit for Uni cistern	1 pc.
3	9820011	Flush pipe with O-ring, length 269 mm, dry-wall construction	1 pc.
4	9820015	Flush pipe seal	1 pc.
5	9820134	Toilet drain bend DN 90 (PP)	1 pc.
6	9820139	Seal for toilet drain bend/adaptor	1 pc.
7	9820348	Toilet drain bend holder complete, underneath (from 04/2017)	1 pc.
8	9820136	Adapter DN 90/DN 100 (PP)	1 pc.
9	9380014	Wall attachment with quick closure	1 pc.
10	9820447	Foot brake with steel spring	1 pc.
11	9820335	C-section for module foot	1 pc.
12	9820332	Module foot with toggle left	1 pc.
13	9820333	Module foot with toggle right	1 pc.
14	9820259	Control cable	1 pc.
15	9820057	Connection set DN 90 for toilet	1 pc.
16	9820043	By-pack for toilet module (mounting material, etc.)	1 pc.
17	9820312	Bare wall toilet plug for flush pipe and drain bend	NEW 1 pc.



TECEprofil – Spare parts

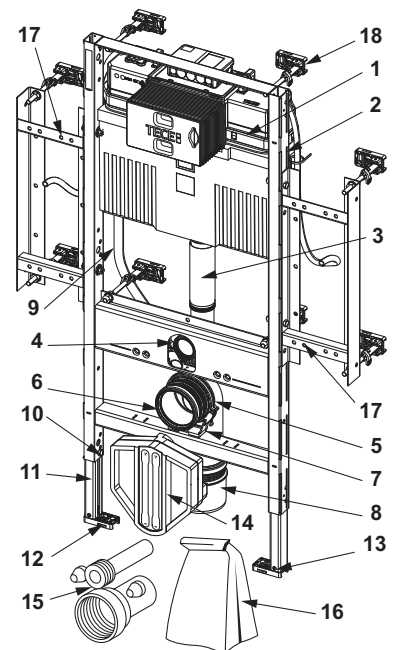
9300044 – TECEprofil toilet module TECEprofil with Uni cistern, for TOTO Neorest Washlet (WC) AC 2.0/EW 2.0, installation height 1120 mm

Pos.	Order No.	Designation	DU 1
1	9820103	Uni cistern 1120 mm	1 pc.
2	9820040	Assembly kit for Uni cistern	1 pc.
3	9820041	Toilet drain bend holder (until 03/2017)	1 pc.
4	9820042	Bracket for toilet drain bend holder (until 03/2017)	1 pc.
5	9820134	Toilet drain bend DN 90 (PP)	1 pc.
6	9820139	Seal for toilet drain bend/adaptor	1 pc.
7	9820015	Flush pipe seal	1 pc.
8	9820011	Flush pipe with O-ring, length 269 mm, dry-wall construction	1 pc.
9	9820335	C-section for module foot	1 pc.
10	9820043	By-pack for toilet module (mounting material, etc.)	1 pc.
11	9820057	Connection set DN 90 for toilet	1 pc.
12	9820071	Clinch nut	1 pc.
13	9820447	Foot brake with steel spring	1 pc.
14	9820136	Adapter DN 90/DN 100 (PP)	1 pc.
15	9820259	Control cable	1 pc.
16	9820332	Module foot with toggle left	1 pc.
17	9820333	Module foot with toggle right	1 pc.



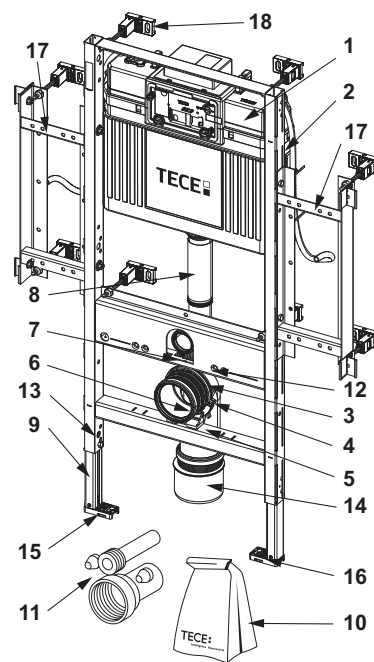
9300309 – TECEprofil WC Geronto module with Uni cistern, ceramic attachment for sitting height of 48 cm in keeping with German standard DIN 18040-1, installation height 1120 mm

Pos.	Order No.	Designation	DU 1
1	9820103	Uni cistern 1120 mm	1 pc.
2	9820040	Assembly kit for Uni cistern	1 pc.
3	9820011	Flush pipe with O-ring, length 269 mm, dry-wall construction	1 pc.
4	9820015	Flush pipe seal	1 pc.
5	9820134	Toilet drain bend DN 90 (PP)	1 pc.
6	9820139	Seal for toilet drain bend/adaptor	1 pc.
7	9820348	Toilet drain bend holder complete, underneath (from 04/2017)	1 pc.
8	9820136	Adapter DN 90/DN 100 (PP)	1 pc.
9	9820569	Attachment clips and conduit	NEW 1 pc.
10	9820447	Foot brake with steel spring	1 pc.
11	9820335	C-section for module foot	1 pc.
12	9820332	Module foot with toggle left	1 pc.
13	9820333	Module foot with toggle right	1 pc.
14	9820568	Bare-wall protection for shower toilet connection	NEW 1 pc.
15	9820057	Connection set DN 90 for toilet	1 pc.
16	9820043	By-pack for toilet module (mounting material, etc.)	1 pc.
17	9820437	Support frame set	1 pc.
18	9380014	Wall attachment with quick closure	1 pc.



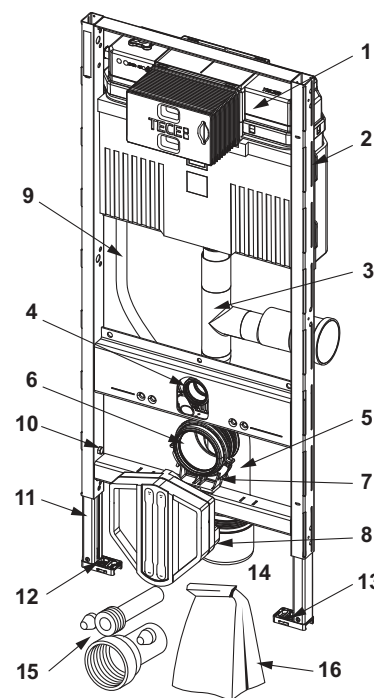
9300009 – TECEprofil toilet Geronto module, with Uni cistern, in accordance with DIN 18040-1, installation height 1120 mm

Pos.	Order No.	Designation	DU 1
1	9820103	Uni cistern 1120 mm	1 pc.
2	9820040	Assembly kit for Uni cistern	1 pc.
3	9820041	Toilet drain bend holder (until 03/2017)	1 pc.
	9820348	Toilet drain bend holder complete, underneath (from 04/2017)	1 pc.
4	9820042	Bracket for toilet drain bend holder (until 03/2017)	1 pc.
5	9820134	Toilet drain bend DN 90 (PP)	1 pc.
6	9820139	Seal for toilet drain bend/adaptor	1 pc.
7	9820015	Flush pipe seal	1 pc.
8	9820011	Flush pipe with O-ring, length 269 mm, dry-wall construction	1 pc.
9	9820335	C-section for module foot	1 pc.
10	9820043	By-pack for toilet module (mounting material, etc.)	1 pc.
11	9820057	Connection set DN 90 for toilet	1 pc.
12	9820071	Clinch nut	1 pc.
13	9820447	Foot brake with steel spring	1 pc.
14	9820136	Adapter DN 90/DN 100 (PP)	1 pc.
15	9820332	Module foot with toggle left	1 pc.
16	9820333	Module foot with toggle right	1 pc.
17	9820437	Support frame set	1 pc.
18	9380014	Wall attachment with quick closure	1 pc.



9300303 – TECEprofil toilet module with Uni cistern, with connection for odour extraction, installation height 1120 mm

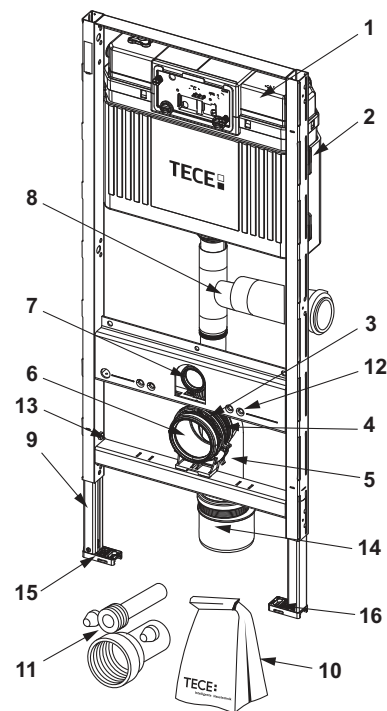
Pos.	Order No.	Designation	DU 1
1	9820103	Uni cistern 1120 mm	1 pc.
2	9820040	Assembly kit for Uni cistern	1 pc.
3	9820078	Flush pipe with odour extraction DN 70 right, 90°	1 pc.
	9820126	Flush pipe with odour extraction DN 70 left, 90°	1 pc.
	9820127	Flush pipe with odour extraction DN 50 right, 45°	1 pc.
4	9820015	Flush pipe seal	1 pc.
5	9820134	Toilet drain bend DN 90 (PP)	1 pc.
6	9820139	Seal for toilet drain bend/adaptor	1 pc.
7	9820348	Toilet drain bend holder complete, underneath (from 04/2017)	1 pc.
8	9820136	Adapter DN 90/DN 100 (PP)	1 pc.
9	9820569	Attachment clips and conduit	NEW 1 pc.
10	9820071	Clinch nut	1 pc.
11	9820335	C-section for module foot	1 pc.
12	9820332	Module foot with toggle left	1 pc.
13	9820333	Module foot with toggle right	1 pc.
14	9820568	Bare-wall protection for shower toilet connection	NEW 1 pc.
15	9820057	Connection set DN 90 for toilet	1 pc.
16	9820043	By-pack for toilet module (mounting material, etc.)	1 pc.



TECEprofil – Spare parts

9300003 – TECEprofil toilet module with Uni cistern, with connection for odour extraction, installation height 1120 mm

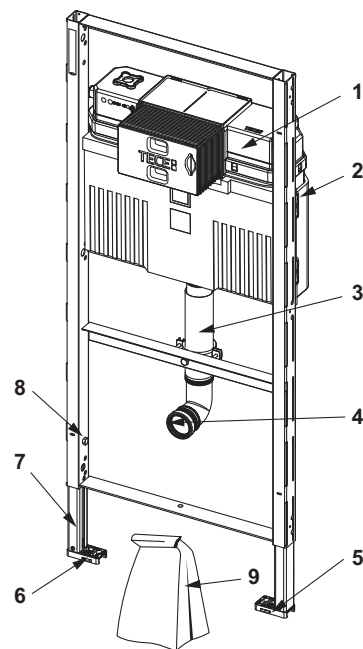
Pos.	Order No.	Designation	DU 1
1	9820103	Uni cistern 1120 mm	1 pc.
2	9820040	Assembly kit for Uni cistern	1 pc.
3	9820041	Toilet drain bend holder (until 03/2017)	1 pc.
	9820348	Toilet drain bend holder complete, underneath (from 04/2017)	1 pc.
4	9820042	Bracket for toilet drain bend holder (until 03/2017)	1 pc.
5	9820134	Toilet drain bend DN 90 (PP)	1 pc.
6	9820139	Seal for toilet drain bend/adaptor	1 pc.
7	9820015	Flush pipe seal	1 pc.
8	9820078	Flush pipe with odour extraction DN 70 right, 90°	1 pc.
	9820126	Flush pipe with odour extraction DN 70 left, 90°	1 pc.
	9820127	Flush pipe with odour extraction DN 50 right, 45°	1 pc.
9	9820335	C-section for module foot	1 pc.
10	9820043	By-pack for toilet module (mounting material, etc.)	1 pc.
11	9820057	Connection set DN 90 for toilet	1 pc.
12	9820071	Clinch nut	1 pc.
13	9820447	Foot brake with steel spring	1 pc.
14	9820136	Adapter DN 90/DN 100 (PP)	1 pc.
15	9820332	Module foot with toggle left	1 pc.
16	9820333	Module foot with toggle right	1 pc.



9300388 – TECEprofil toilet module with Uni cistern, for children's floor-standing toilet, installation height 1120 mm

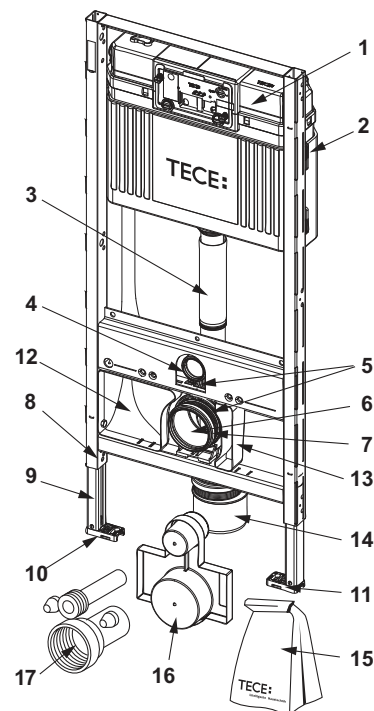
9300088 – TECEprofil toilet module with Uni cistern, for children's floor-standing toilet, installation height 1120 mm

Pos.	Order No.	Designation	DU 1
1	9820103	Uni cistern 1120 mm	1 pc.
2	9820040	Assembly kit for Uni cistern	1 pc.
3	9820011	Flush pipe with O-ring, length 269 mm, dry-wall construction	1 pc.
4	9820015	Flush pipe seal	1 pc.
5	9820333	Module foot with toggle right	1 pc.
6	9820332	Module foot with toggle left	1 pc.
7	9820335	C-section for module foot	1 pc.
8	9820447	Foot brake with steel spring	1 pc.
9	9820400	By-pack for toilet module for children's standing	1 pc.



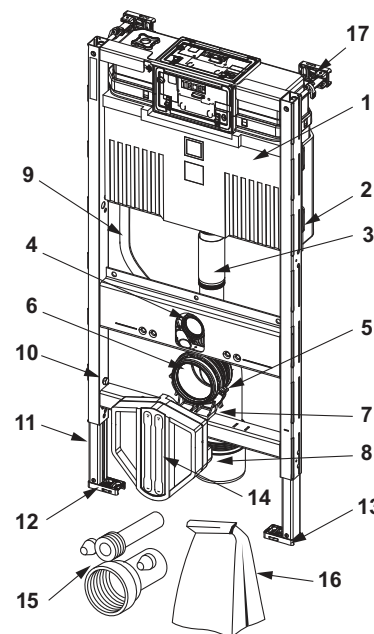
9300079 – TECEprofil toilet module with Uni cistern for universal connection of a shower toilet, installation height 1120 mm

Pos.	Order No.	Designation	DU 1
1	9820103	Uni cistern 1120 mm	1 pc.
2	9820040	Assembly kit for Uni cistern	1 pc.
3	9820011	Flush pipe with O-ring, length 269 mm, dry-wall construction	1 pc.
4	9820015	Flush pipe seal	1 pc.
5	9820348	Toilet drain bend holder complete, underneath (from 04/2017)	1 pc.
6	9820134	Toilet drain bend DN 90 (PP)	1 pc.
7	9820139	Seal for toilet drain bend/adaptor	1 pc.
8	9820447	Foot brake with steel spring	1 pc.
9	9820335	C-section for module foot	1 pc.
10	9820332	Module foot with toggle left	1 pc.
11	9820333	Module foot with toggle right	1 pc.
12	9820340	Funnel for shower toilet connection and conduit	1 pc.
13	9820341	Funnel for cable connection	1 pc.
14	9820136	Adapter DN 90/DN 100 (PP)	1 pc.
15	9820043	By-pack for toilet module (mounting material, etc.)	1 pc.
16	9820342	Inspection cover for toilet module	1 pc.
17	9820057	Connection set DN 90 for toilet	1 pc.



9300382 – TECEprofil toilet module with Uni cistern for universal connection of a shower toilet, installation height 980 mm

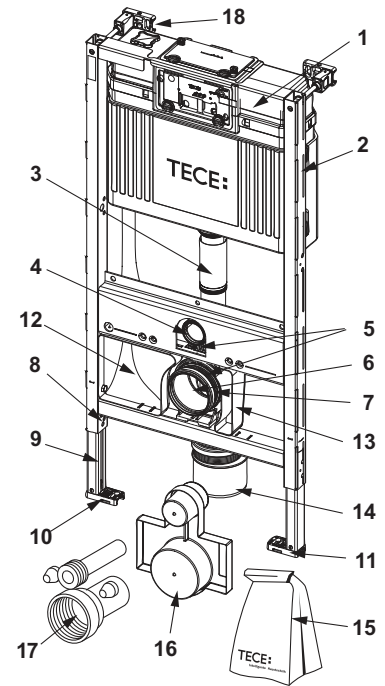
Pos.	Order No.	Designation	DU 1
1	9820101	Uni cistern 980 mm	1 pc.
2	9820040	Assembly kit for Uni cistern	1 pc.
3	9820099	Shortened flush pipe, length 185 mm	1 pc.
4	9820015	Flush pipe seal	1 pc.
5	9820134	Toilet drain bend DN 90 (PP)	1 pc.
6	9820139	Seal for toilet drain bend/adaptor	1 pc.
7	9820348	Toilet drain bend holder complete, underneath (from 04/2017)	1 pc.
8	9820136	Adapter DN 90/DN 100 (PP)	1 pc.
9	9820569	Attachment clips and conduit	NEW 1 pc.
10	9820447	Foot brake with steel spring	1 pc.
11	9820335	C-section for module foot	1 pc.
12	9820332	Module foot with toggle left	1 pc.
13	9820333	Module foot with toggle right	1 pc.
14	9820568	Bare-wall protection for shower toilet connection	NEW 1 pc.
15	9820057	Connection set DN 90 for toilet	1 pc.
16	9820043	By-pack for toilet module (mounting material, etc.)	1 pc.



TECEprofil – Spare parts

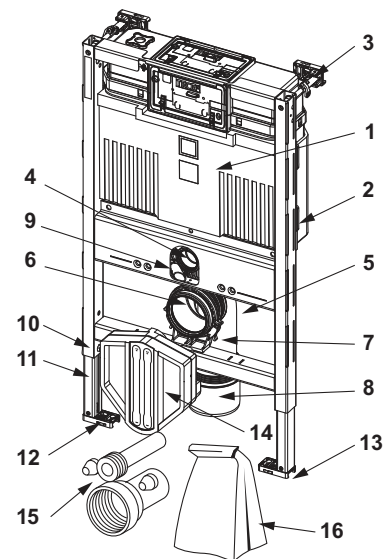
9300082 – TECEprofil toilet module with Uni cistern for universal connection of a shower toilet, installation height 980 mm

Pos.	Order No.	Designation	DU 1
1	9820101	Uni cistern 980 mm	1 pc.
2	9820040	Assembly kit for Uni cistern	1 pc.
3	9820099	Shortened flush pipe, length 185 mm	1 pc.
4	9820015	Flush pipe seal	1 pc.
5	9820348	Toilet drain bend holder complete, underneath (from 04/2017)	1 pc.
6	9820134	Toilet drain bend DN 90 (PP)	1 pc.
7	9820139	Seal for toilet drain bend/adaptor	1 pc.
8	9820447	Foot brake with steel spring	1 pc.
9	9820335	C-section for module foot	1 pc.
10	9820332	Module foot with toggle left	1 pc.
11	9820333	Module foot with toggle right	1 pc.
12	9820340	Funnel for shower toilet connection and conduit	1 pc.
13	9820341	Funnel for cable connection	1 pc.
14	9820136	Adapter DN 90/DN 100 (PP)	1 pc.
15	9820043	By-pack for toilet module (mounting material, etc.)	1 pc.
16	9820342	Inspection cover for toilet module	1 pc.
17	9820057	Connection set DN 90 for toilet	1 pc.
18	9380014	Wall attachment with quick closure	1 pc.



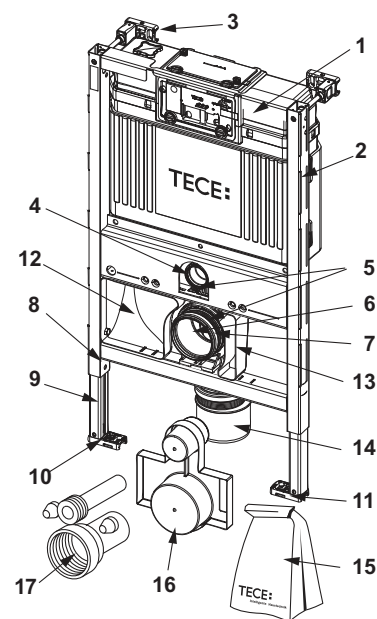
9300380 – TECEprofil toilet module with Uni cistern for universal connection of a shower toilet, installation height 820 mm

Pos.	Order No.	Designation	DU 1
1	9820100	Uni cistern 820 mm	1 pc.
2	9820040	Assembly kit for Uni cistern	1 pc.
3	9380014	Wall attachment with quick closure	1 pc.
4	9820015	Flush pipe seal	1 pc.
5	9820134	Toilet drain bend DN 90 (PP)	1 pc.
6	9820139	Seal for toilet drain bend/adaptor	1 pc.
7	9820348	Toilet drain bend holder complete, underneath (from 04/2017)	1 pc.
8	9820136	Adapter DN 90/DN 100 (PP)	1 pc.
9	9820569	Attachment clips and conduit	NEW 1 pc.
10	9820447	Foot brake with steel spring	1 pc.
11	9820335	C-section for module foot	1 pc.
12	9820332	Module foot with toggle left	1 pc.
13	9820333	Module foot with toggle right	1 pc.
14	9820568	Bare-wall protection for shower toilet connection	NEW 1 pc.
15	9820057	Connection set DN 90 for toilet	1 pc.
16	9820043	By-pack for toilet module (mounting material, etc.)	1 pc.



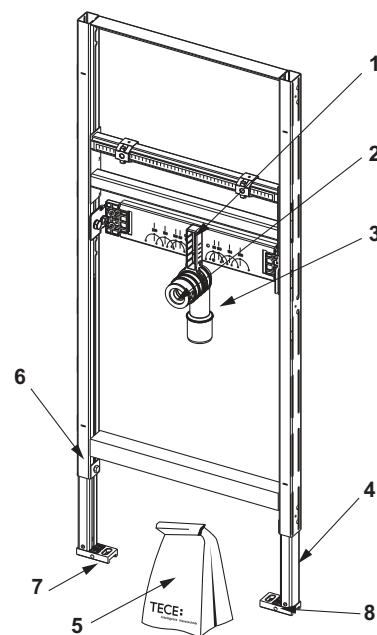
9300080 – TECEprofil toilet module with Uni cistern for universal connection of a shower toilet, installation height 820 mm

Pos.	Order No.	Designation	DU 1
1	9820100	Uni cistern 820 mm	1 pc.
2	9820040	Assembly kit for Uni cistern	1 pc.
3	9380014	Wall attachment with quick closure	1 pc.
4	9820015	Flush pipe seal	1 pc.
5	9820348	Toilet drain bend holder complete, underneath (from 04/2017)	1 pc.
6	9820134	Toilet drain bend DN 90 (PP)	1 pc.
7	9820139	Seal for toilet drain bend/adaptor	1 pc.
8	9820447	Foot brake with steel spring	1 pc.
9	9820335	C-section for module foot	1 pc.
10	9820332	Module foot with toggle left	1 pc.
11	9820333	Module foot with toggle right	1 pc.
12	9820340	Funnel for shower toilet connection and conduit	1 pc.
13	9820341	Funnel for cable connection	1 pc.
14	9820136	Adapter DN 90/DN 100 (PP)	1 pc.
15	9820043	By-pack for toilet module (mounting material, etc.)	1 pc.
16	9820342	Inspection cover for toilet module	1 pc.
17	9820057	Connection set DN 90 for toilet	1 pc.



9310000 – TECEprofil washstand module, installation height 1120 mm

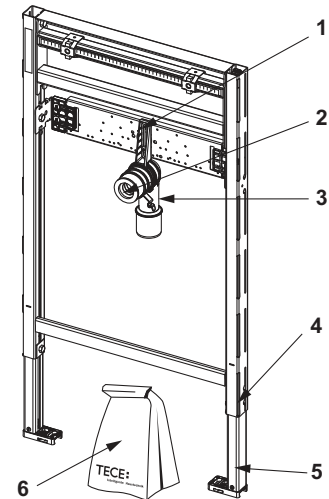
Pos.	Order No.	Designation	DU 1
1	9820034	Drain bend holder DN 50	1 pc.
2	9820059	Rubber collar nominal diameter 30/50	1 pc.
3	9820035	Drain bend DN 50/DN 40	1 pc.
4	9820335	C-section for module foot	1 pc.
5	9820067	By-pack for washstand module (mounting material, etc.)	1 pc.
6	9820447	Foot brake with steel spring	1 pc.
7	9820332	Module foot with toggle left	1 pc.
8	9820333	Module foot with toggle right	1 pc.



TECEprofil – Spare parts

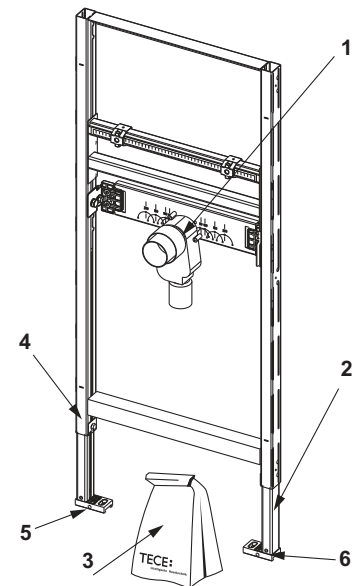
9310018 – TECEprofil washstand module, installation height 820-980 mm

Pos.	Order No.	Designation	DU 1
1	9820034	Drain bend holder DN 50	1 pc.
2	9820059	Rubber collar nominal diameter 30/50	1 pc.
3	9820035	Drain bend DN 50/DN 40	1 pc.
4	9820447	Foot brake with steel spring	1 pc.
5	9030028	Module feet, extended design	1 pc.
6	9820067	By-pack for washstand module (mounting material, etc.)	1 pc.



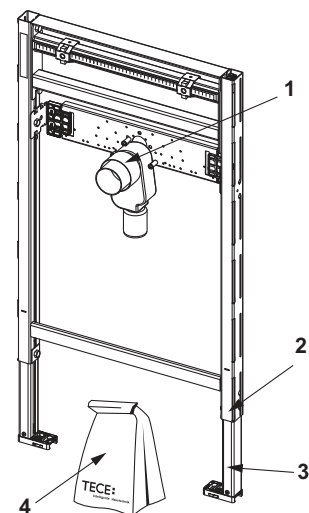
9310004 – TECEprofil washstand module with concealed odour trap, installation height 1120 mm

Pos.	Order No.	Designation	DU 1
1	9820070	Flush-mounted trap (Dallmer)	1 pc.
2	9820335	C-section for module foot	1 pc.
3	9820067	By-pack for washstand module (mounting material, etc.)	1 pc.
4	9820447	Foot brake with steel spring	1 pc.
5	9820332	Module foot with toggle left	1 pc.
6	9820333	Module foot with toggle right	1 pc.



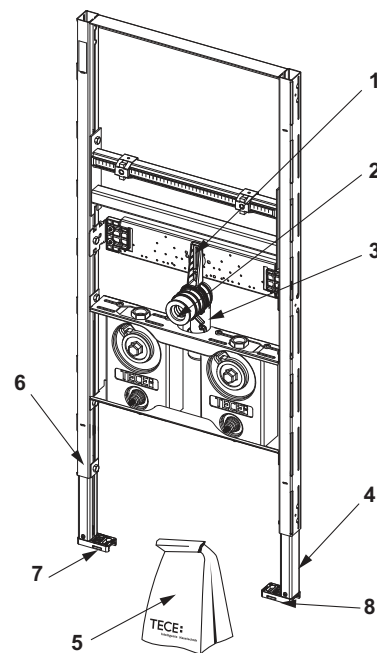
9310019 – TECEprofil washstand module with concealed odour trap, installation height 820-980 mm

Pos.	Order No.	Designation	DU 1
1	9820070	Flush-mounted trap (Dallmer)	1 pc.
2	9820447	Foot brake with steel spring	1 pc.
3	9030028	Module feet, extended design	1 pc.
4	9820067	By-pack for washstand module (mounting material, etc.)	1 pc.



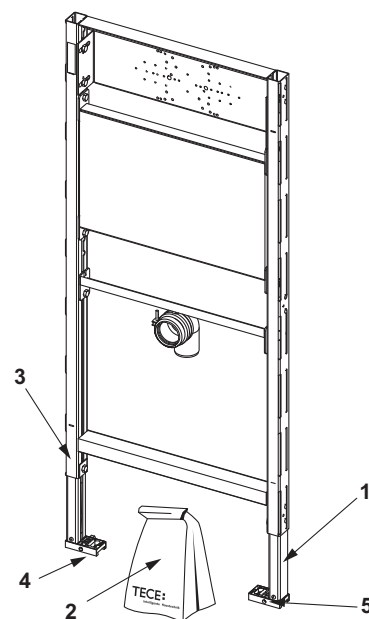
9310017 – TECEprofil washstand module including two assembly blocks for mounting water meter measuring capsules, installation height 1120 mm

Pos.	Order No.	Designation	DU 1
1	9820034	Drain bend holder DN 50	1 pc.
2	9820059	Rubber collar nominal diameter 30/50	1 pc.
3	9820035	Drain bend DN 50/DN 40	1 pc.
4	9820335	C-section for module foot	1 pc.
5	9820067	By-pack for washstand module (mounting material, etc.)	1 pc.
6	9820447	Foot brake with steel spring	1 pc.
7	9820332	Module foot with toggle left	1 pc.
8	9820333	Module foot with toggle right	1 pc.



9310002 – TECEprofil washstand module for sink, installation height 1120 mm

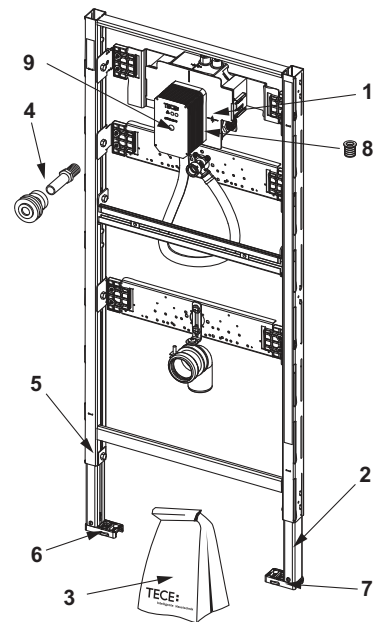
Pos.	Order No.	Designation	DU 1
1	9820335	C-section for module foot	1 pc.
2	9820067	By-pack for washstand module (mounting material, etc.)	1 pc.
3	9820447	Foot brake with steel spring	1 pc.
4	9820332	Module foot with toggle left	1 pc.
5	9820333	Module foot with toggle right	1 pc.



TECEprofil – Spare parts

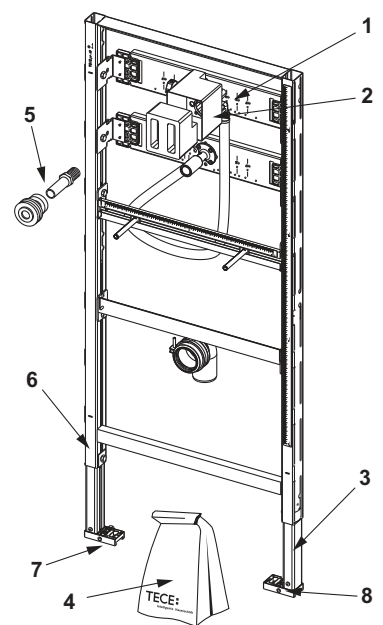
9320013 – TECEprofil urinal module with TECE flush valve housing U 2, installation height 1120 mm

Pos.	Order No.	Designation	DU 1
1	9820553	Transformer 230 V/12 V	1 pc.
2	9820335	C-section for module foot	1 pc.
3	9820076	By-pack for urinal module (mounting material, etc.)	1 pc.
4	9820055	Inlet fittings for urinal, 1/2"	1 pc.
5	9820447	Foot brake with steel spring	1 pc.
6	9820332	Module foot with toggle left	1 pc.
7	9820333	Module foot with toggle right	1 pc.
8	9820424	Seal water outlet	1 pc.
9	9820470	Bare-wall protection urinal flush valve housing U 2	1 pc.



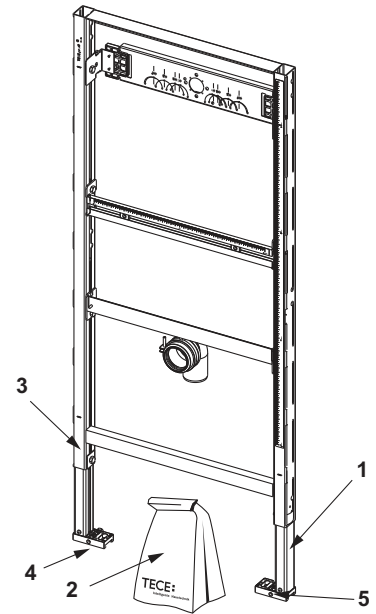
9320008 – TECEprofil urinal module with TECE flush valve housing U 1, installation height 1120 mm

Pos.	Order No.	Designation	DU 1
1	9820074	Urinal flush valve housing U 1 with plug	1 pc.
2	9820075	Bare-wall protection, supporting body, screws flush valve housing U 1	1 pc.
3	9820335	C-section for module foot	1 pc.
4	9820076	By-pack for urinal module (mounting material, etc.)	1 pc.
5	9820055	Inlet fittings for urinal, 1/2"	1 pc.
6	9820447	Foot brake with steel spring	1 pc.
7	9820332	Module foot with toggle left	1 pc.
8	9820333	Module foot with toggle right	1 pc.



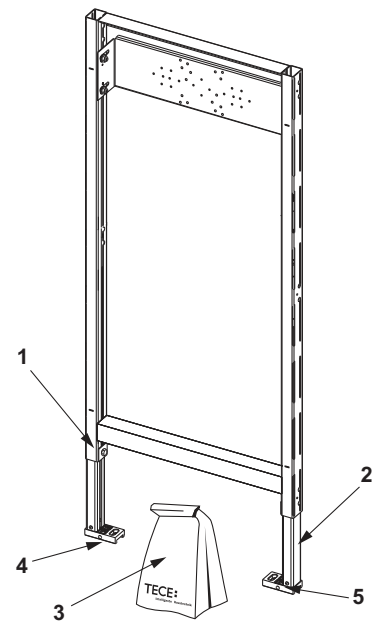
9320010 – TECEprofil urinal module for wall-mounted flush valve, installation height 1120 mm

Pos.	Order No.	Designation	DU 1
1	9820335	C-section for module foot	1 pc.
2	9820079	By-pack for wall-mounted urinal module (mounting material, etc.)	1 pc.
3	9820447	Foot brake with steel spring	1 pc.
4	9820332	Module foot with toggle left	1 pc.
5	9820333	Module foot with toggle right	1 pc.



9340000 – TECEprofil bath/shower module for flush-mounted and wall-mounted fittings, installation height 1120 mm

Pos.	Order No.	Designation	DU 1
1	9820335	C-section for module foot	1 pc.
2	9820447	Foot brake with steel spring	1 pc.
3	9820096	By-pack for bath/shower module (mounting material, etc.)	1 pc.
4	9820332	Module foot with toggle left	1 pc.
5	9820333	Module foot with toggle right	1 pc.

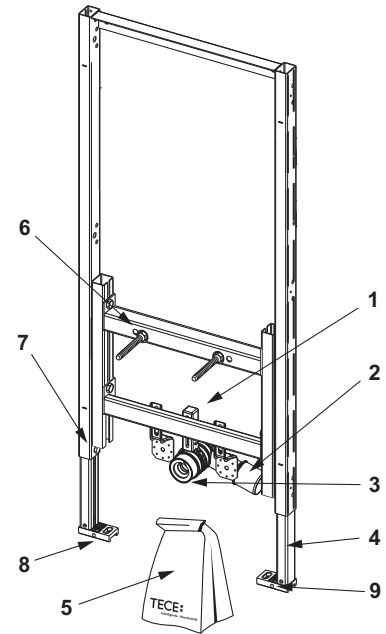


TECEprofil – Spare parts

9330000 – TECEprofil bidet module for wall-mounted bidet, installation height 1120 mm

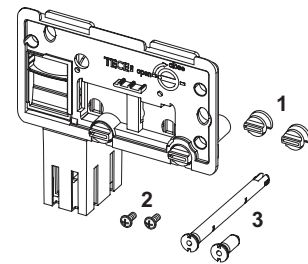
9330005 – TECEprofil bidet module for wall-mounted bidet, installation height 820 mm

Pos.	Order No.	Designation	DU 1
1	9820034	Drain bend holder DN 50	1 pc.
2	9820035	Drain bend DN 50/DN 40	1 pc.
3	9820059	Rubber collar nominal diameter 30/50	1 pc.
4	9820335	C-section for module foot	1 pc.
5	9820047	By-pack for bidet module (mounting material, etc.)	1 pc.
6	9820071	Clinch nut	1 pc.
7	9820447	Foot brake with steel spring	1 pc.
8	9820332	Module foot with toggle left	1 pc.
9	9820333	Module foot with toggle right	1 pc.



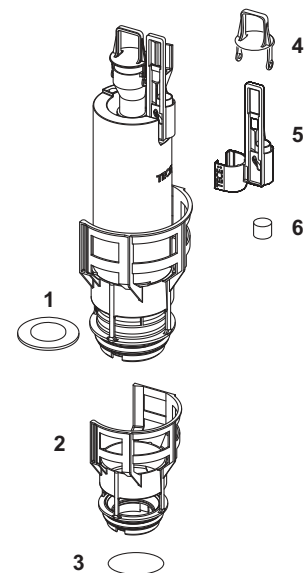
9240950 – TECE insert chute for cleaning tablets

Pos.	Order No.	Designation	DU 1
1	9820191	Clamping screws set	1 pc.
2	9820263	Fastening screws	1 pc.
3	9820349	Guide rods for insert chute	1 pc.



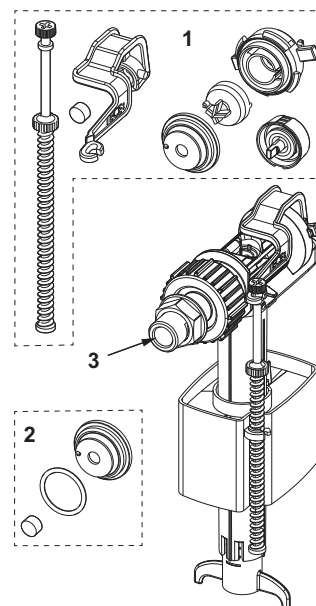
9820223 – TECE drain valve A 2

Pos.	Order No.	Designation	DU 1
1	9820233	Gasket (drain valve)	1 pc.
2	9820231	Valve seat with standard throttle (ø 42 mm)	1 pc.
3	9820005	O-ring (valve seat)	1 pc.
4	9820222	Draw eyelet	1 pc.
5	9820229	Pull rod for electrical actuation	1 pc.
6	9820420	Additional weight small pull rod	1 pc.



9820353 – TECE filling valve F 10 universal

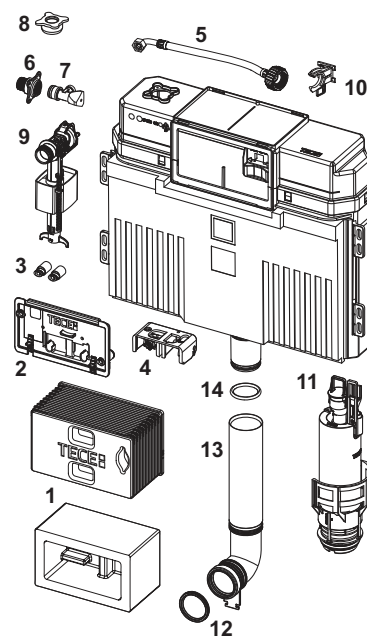
Pos.	Order No.	Designation	DU 1
1	9820382	Filling valve F 10 valve lever set	1 pc.
2	9820383	Filling valve F 10 sealing kit	1 pc.
3	9820398	Filling valve F 10 threaded connection 3/8"	1 pc.



9820103 – TECE Uni cistern 1120 mm

Valid from: April 2021

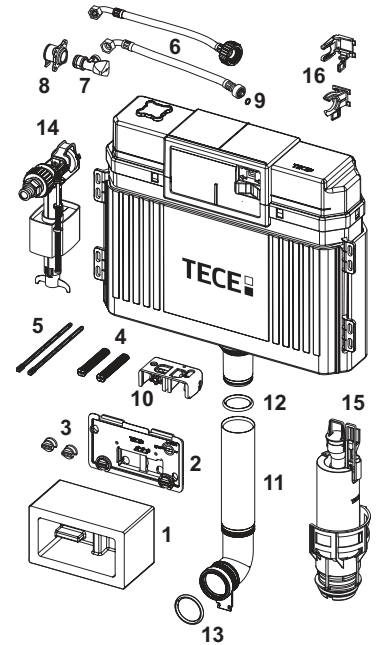
Pos.	Order No.	Designation	DU 1
1	9820499	Installation tunnel incl. polystyrene block	NEW 1 pc.
	9820027	Bare-wall protection system	1 pc.
2	9820017	Splash guard, complete	1 pc.
3	9820496	"Easy fit" attachment	NEW 1 pc.
4	9820016	Actuation block	1 pc.
5	9820374	Reinforced hose M 30 (from 2020)	1 pc.
6	9820012	Cistern connection	1 pc.
7	9820013	Corner valve	1 pc.
8	9820495	Closure plug Uni cistern	NEW 1 pc.
9	9820353	Filling valve F 10 universal	1 pc.
10	9820373	Filling valve holder for Uni cistern (27 mm, M 30, from 2020)	1 pc.
11	9820223	Drain valve A 2	1 pc.
12	9820015	Flush pipe seal	1 pc.
13	9820011	Flush pipe with O-ring, length 269 mm, dry-wall construction	1 pc.
	9820331	Extra long flush pipe, length 369 mm	1 pc.
14	9820014	O-ring	1 pc.



TECEprofil – Spare parts

Valid till: March 2021

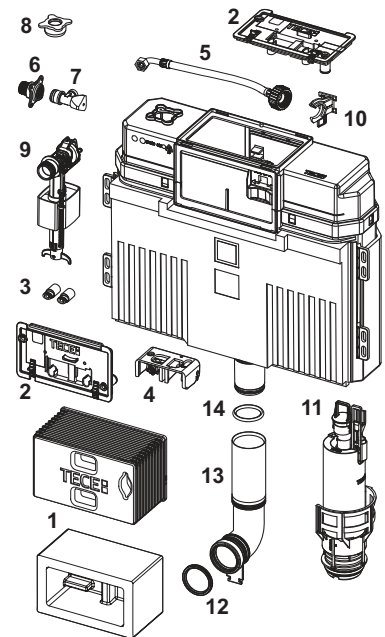
Pos.	Order No.	Designation	DU 1
1	9820027	Bare-wall protection system	1 pc.
2	9820017	Splash guard, complete	1 pc.
3	9820018	Clamping screws	1 pc.
4	9820019	Attaching rods	1 pc.
5	9820022	Actuation rods	1 pc.
6	9820026	Reinforced hose 3/8" (until 2019)	1 pc.
	9820374	Reinforced hose M 30 (from 2020)	1 pc.
7	9820013	Corner valve	1 pc.
8	9820012	Cistern connection	1 pc.
9	9820025	O-ring	1 pc.
10	9820016	Actuation block	1 pc.
11	9820011	Flush pipe with O-ring, length 269 mm, dry-wall construction	1 pc.
	9820331	Extra long flush pipe, length 369 mm	1 pc.
12	9820014	O-ring	1 pc.
13	9820015	Flush pipe seal	1 pc.
14	9820353	Filling valve F 10 universal	1 pc.
15	9820223	Drain valve A 2	1 pc.
16	9820372	Filling valve holder for Uni cistern (17 mm, 3/8", up to 2019)	1 pc.
	9820373	Filling valve holder for Uni cistern (27 mm, M 30, from 2020)	1 pc.



9820101 – TECE Uni cistern 980 mm

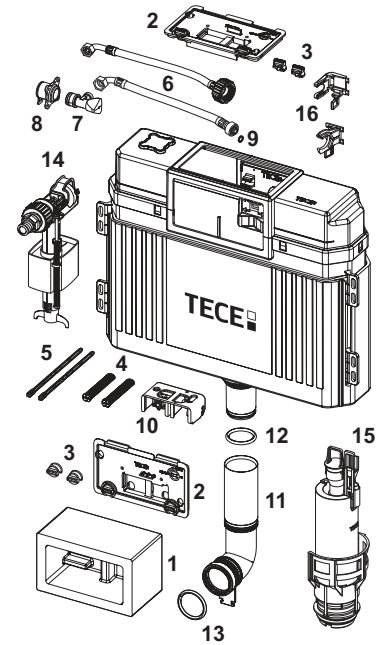
Valid from: April 2021

Pos.	Order No.	Designation	DU 1
1	9820499	Installation tunnel incl. polystyrene block	NEW 1 pc.
	9820027	Bare-wall protection system	1 pc.
2	9820017	Splash guard, complete	1 pc.
3	9820496	"Easy fit" attachment	NEW 1 pc.
4	9820016	Actuation block	1 pc.
5	9820374	Reinforced hose M 30 (from 2020)	1 pc.
6	9820012	Cistern connection	1 pc.
7	9820013	Corner valve	1 pc.
8	9820495	Closure plug Uni cistern	NEW 1 pc.
9	9820353	Filling valve F 10 universal	1 pc.
10	9820373	Filling valve holder for Uni cistern (27 mm, M 30, from 2020)	1 pc.
11	9820223	Drain valve A 2	1 pc.
12	9820015	Flush pipe seal	1 pc.
13	9820099	Shortened flush pipe, length 185 mm	1 pc.
14	9820014	O-ring	1 pc.



Valid till: March 2021

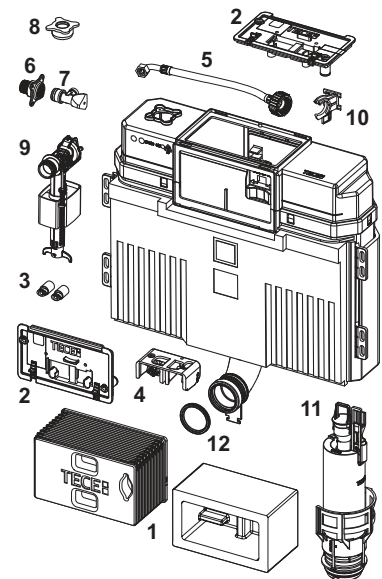
Pos.	Order No.	Designation	DU 1
1	9820027	Bare-wall protection system	1 pc.
2	9820017	Splash guard, complete	1 pc.
3	9820018	Clamping screws	1 pc.
4	9820019	Attaching rods	1 pc.
5	9820022	Actuation rods	1 pc.
6	9820026	Reinforced hose 3/8" (until 2019)	1 pc.
	9820374	Reinforced hose M 30 (from 2020)	1 pc.
7	9820013	Corner valve	1 pc.
8	9820012	Cistern connection	1 pc.
9	9820025	O-ring	1 pc.
10	9820016	Actuation block	1 pc.
11	9820099	Shortened flush pipe, length 185 mm	1 pc.
12	9820014	O-ring	1 pc.
13	9820015	Flush pipe seal	1 pc.
14	9820353	Filling valve F 10 universal	1 pc.
15	9820223	Drain valve A 2	1 pc.
16	9820372	Filling valve holder for Uni cistern (17 mm, 3/8", up to 2019)	1 pc.
	9820373	Filling valve holder for Uni cistern (27 mm, M 30, from 2020)	1 pc.



9820100 – TECE Uni cistern 820 mm

Valid from: April 2021

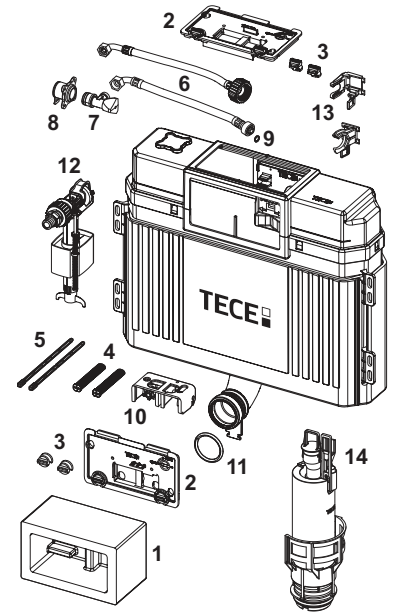
Pos.	Order No.	Designation	DU 1
1	9820499	Installation tunnel incl. polystyrene block	NEW 1 pc.
	9820027	Bare-wall protection system	1 pc.
2	9820017	Splash guard, complete	1 pc.
3	9820496	"Easy fit" attachment	NEW 1 pc.
4	9820016	Actuation block	1 pc.
5	9820374	Reinforced hose M 30 (from 2020)	1 pc.
6	9820012	Cistern connection	1 pc.
7	9820013	Corner valve	1 pc.
8	9820495	Closure plug Uni cistern	NEW 1 pc.
9	9820353	Filling valve F 10 universal	1 pc.
10	9820373	Filling valve holder for Uni cistern (27 mm, M 30, from 2020)	1 pc.
11	9820223	Drain valve A 2	1 pc.
12	9820015	Flush pipe seal	1 pc.



TECEprofil – Spare parts

Valid till: March 2021

Pos.	Order No.	Designation	DU 1
1	9820027	Bare-wall protection system	1 pc.
2	9820017	Splash guard, complete	1 pc.
3	9820018	Clamping screws	1 pc.
4	9820019	Attaching rods	1 pc.
5	9820022	Actuation rods	1 pc.
6	9820026	Reinforced hose 3/8" (until 2019)	1 pc.
	9820374	Reinforced hose M 30 (from 2020)	1 pc.
7	9820013	Corner valve	1 pc.
8	9820012	Cistern connection	1 pc.
9	9820025	O-ring	1 pc.
10	9820016	Actuation block	1 pc.
11	9820015	Flush pipe seal	1 pc.
12	9820353	Filling valve F 10 universal	1 pc.
13	9820372	Filling valve holder for Uni cistern (17 mm, 3/8", up to 2019)	1 pc.
	9820373	Filling valve holder for Uni cistern (27 mm, M 30, from 2020)	1 pc.
14	9820223	Drain valve A 2	1 pc.



TECEprofil flush valve cartridge U 1

Flush valve cartridge for flush valve housing U 1.

Order No.	DU 1
9820031	1 pc.



TECEprofil seal for flush pipe connection

Order No.	DU 1
9820213	1 pc.



TECEprofil flush pipe connection 20 cm

PP flush pipe connection for wall-mounted toilets.

Order No.	DU 1
9820246	1 pc.





Sanitary Systems

TECEconstruct SANITARY MODULES

ASSORTMENT LIST 2021

	Page
Toilet modules with Uni cistern	186
Toilet modules with Octa cistern	188
Accessories	190
Spare parts	192

TECEconstruct – Toilet modules with Uni cistern

TECEconstruct toilet module with Uni cistern, four standing feet, installation height 1120 mm **NEW**

Toilet module including “easy fit” flush plate installation. Suitable for installation in metal or wooden stud walls, in front of solid walls or for free-standing assembly.

Uni cistern for front actuation:

- Safety tank made of impact-resistant plastic, tested to EN 14055
- Cistern fully pre-assembled and sealed.
- Cistern connection with outer thread R 1/2" at the side, compatible with quick adapters
- 10 litre tank volume; 6 litre pre-set standard flush volume, 4.5/7.5/9-litre flush volume can be set at any time; 3-litre partial flush volume for dual-flush system; remaining volume can be used for immediate cleaning flush.
- Insulated against condensation water
- For TECE flush plates and toilet flush handle
- Can be used as a single or dual-flush cistern.
- “easy fit” flush plate installation
- Low-noise hydraulic filling valve, fitting group 1 according to DIN 4109

Module frame:

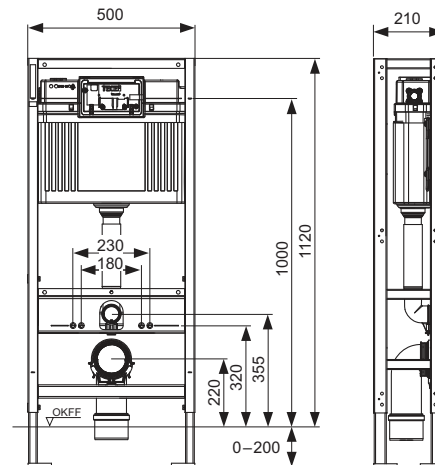
- Self-supporting with four standing feet, powder-coated
- Two M 12 retaining bolts and nuts
- Four anchor pegs M 8 x 90 for floor attachment
- Toilet drain bend DN 90 with joint adapter DN 90/100, made of PP
- Joint adapter also suitable for horizontal installation
- DN 90 toilet connection set including protective plug

Please order separately:

- Toilet flush plate (see flush plates)
- Insert chute for cleaning tablets (optional)
- TECEone upgrade set for dry-wall construction (optional)

Note:

If toilet ceramics with a reduced supporting surface are used (= distance from middle of fixing bolt to lower edge of supporting surface is not larger than 18 cm) - e.g. V & B Memento, Sentique, Subway 2.0 - it is necessary to install the steel brace set 9041029 in the lower build space.



Order No.		DU 1	DU 2
9500393	NEW	1 pc.	16 pc.

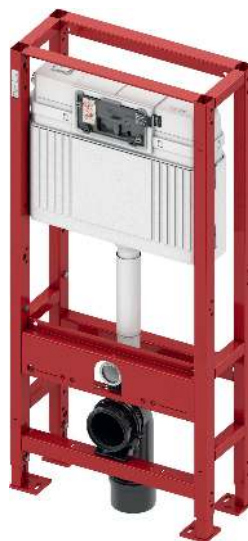
TECEconstruct toilet module with Uni cistern, four standing feet, installation height 1120 mm

Toilet module for installing in metal or wooden stud walls, in front of solid walls or for free-standing assembly.

Completely pre-assembled unit, consisting of:

Uni cistern for front actuation:

- Safety tank made of impact-resistant plastic
- Cistern fully pre-assembled and sealed
- Cistern connection with 1/2" inner thread
- 10 litre tank volume; 6 litre pre-set standard flush volume; option of setting a 4.5/7.5/9-litre flush at any time; 3 litre low-volume flush for dual-flush system. Remaining volume can be used for immediate cleaning flush.
- Insulated against condensation water
- For TECE flush plates and toilet flush handle
- Can be set as a single or dual-flush cistern depending on the flush plate used.
- Certified in accordance with EN 14055
- Fitting group 1 in accordance with DIN 4109
- Low-noise hydraulic filling valve



Module consisting of:

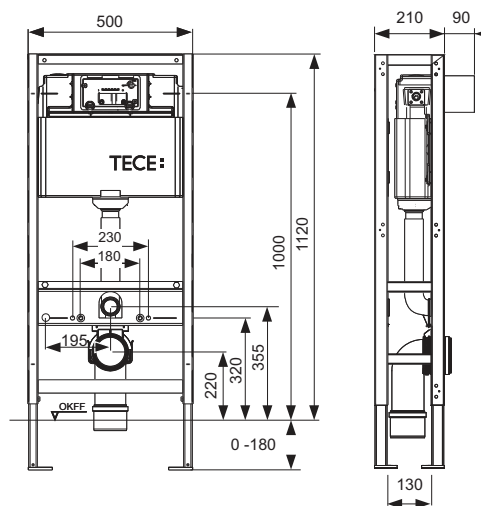
- Self-supporting four-footed installation frame, powder-coated
- Two M 12 retaining bolts and nuts
- Four anchor pegs M 8 x 90 for floor attachment
- Toilet drain bend DN 90 incl. toilet adapter DN 90/100 made of PP
- Joint adapter also suitable for horizontal installation
- Toilet connection set DN 90, includes assembly protection plugs

Please order separately:

- Toilet flush plate (see flush plates)
- Insert chute for cleaning tablets (optional)

Note:

If toilet ceramics with a reduced supporting surface are used (= distance from middle of attachment bolt to lower edge of supporting surface is not greater than 18 cm) - e.g. V & B Memento, Sentique, Subway 2.0 - it is necessary to install the steel brace set 9041029 in the lower build space.



Order No.		DU 1	DU 2
9300093	SALE	1 pc.	16 pc.

Follow-up item see 9500393 with new scope of service and supply.

TECEconstruct – Toilet modules with Octa cistern

TECEconstruct toilet module with Octa cistern, 8 cm, installation height 1200 mm

Toilet module for installing in metal or wooden stud walls and as pre-wall or corner module; also suitable for single block assembly.

Completely pre-assembled unit, consisting of:

8 cm Octa cistern for front actuation:

- Safety tank made of impact-resistant plastic
- Cistern pre-assembled and sealed
- Cistern connection with 1/2" inner thread
- 9.5 litre tank volume, 6 litre pre-set standard flush volume, option of setting a 4.5 and 9 litre flush at any time, 3 litre low-volume flush for dual-flush system.
- Remaining volume can be used for immediate cleaning flush.
- Insulated against condensation water
- For manual TECE flush plates and toilet flush handle
- Can be set as a single or dual-flush cistern depending on the flush plate used
- Certified in accordance with EN 14055
- Low-noise hydraulic filling valve

Module consisting of:

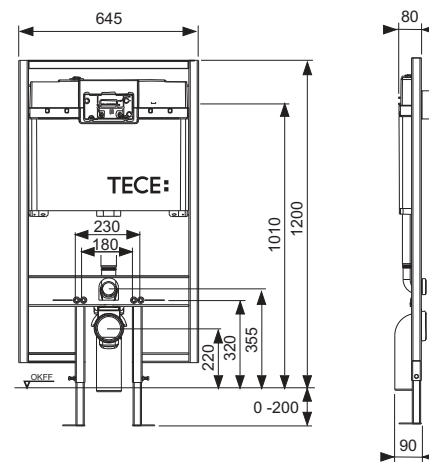
- Self-supporting installation frame, powder-coated
- Two M 12 retaining bolts and nuts
- Attachment for pre-wall assembly (see 9380007)
- Sound insulation kit for toilet
- Toilet drain bend DN 90 incl. joint adapter DN 90/100 made of PP
- Joint adapter also suitable for horizontal installation
- Toilet connection set DN 90, including protective plugs

Please order separately:

- Manual toilet flush plate
- TECEone upgrade set for TECEconstruct toilet module with Octa cistern, 8 cm

Note:

Due to low installation height not compatible with toilet electronics.



Follow-up item see 9300502 with new scope of service and supply.

Order No.		DU 1	DU 2
9300065*	SALE	1 pc.	14 pc.

TECEconstruct toilet module with Octa cistern, 8 cm, installation height 1200 mm

Toilet module to install in metal or wooden stud walls and as pre-wall or corner module; also suitable for single block assembly.

Completely pre-assembled unit, consisting of:

Octa cistern, 8 cm, for front actuation:

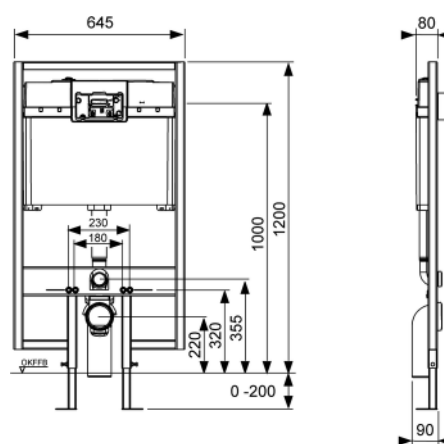
- Safety tank made of impact-resistant plastic
- Cistern completely pre-assembled and sealed
- Pre-assembled corner valve and cistern connection, cistern connection with 1/2" inner thread
- 9.5-litre tank volume; 6-litre pre-set standard flush volume; 4.5/6/9-litre flush volume setting option at any time; 3-litre partial flush volume with dual-flush system. Remaining volume can be used for immediate cleaning flush
- Certified in accordance with EN 14055
- Insulated against condensation water
- For TECE flush plates and toilet flush handle
- Can be set as a single or dual-flush cistern depending on the flush plate used
- Low-noise hydraulic filling valve

Module consisting of:

- Self-supporting installation frame, powder-coated
- 180 or 230 mm ceramic mounting distance
- Drain bend DN 90/90
- Toilet connection set DN 90
- Attachment for pre-wall assembly (see 9380007)

Please order separately:

- Manual toilet flush plate (see flush plates)
- TECEone dry-wall upgrade set 8 cm



Order No.		DU 1	DU 2
9300040*	SALE	1 pc.	14 pc.

Follow-up item see 9300500
with new scope of service and supply.

TECEconstruct – Accessories

TECEprofil extended toilet connection set 30 cm, DN 90

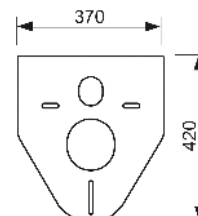
PE connection set for wall-mounted toilets.



Order No.	DU 1
9820214	1 pc.

TECEprofil sound-insulation kit for toilet and bidet

For sound insulation between the toilet or bidet ceramics and tile layer.



Order No.	DU 1	DU 2	DU 3
9200010	1 pc.	10 pc.	60 pc.

TECEone upgrade set for TECEconstruct toilet module with Octa cistern, 8 cm

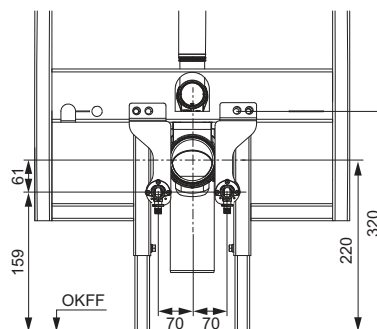
Sound-insulated shell set for pre-mounting the TECEconstruct toilet module with Octa cistern, 8 cm, for the TECEone water connection.

Shell set consisting of:

- Holding plates for hot and cold water connection
- Sound protection elements for wall disks
- Attachment screws for wall disks
- Two M 12 x 20 screws incl. spacer sleeves



Order No.	DU 1	DU 2	DU 3
9880056	1 pc.	10 pc.	60 pc.



TECE filling valve F 10 universal

Universal filling valve for installation in all TECE cisterns as well as almost all standard flush-mounted and wall-mounted cisterns from other manufacturers.

Product details:

- 3/8" metal connection thread
- Flow pressure 0.5-10 bar
- Minimum flow pressure 0.5 bar
- Adjustable fill height
- Adjustable outflow pipe
- Low-noise in accordance with group I (DIN 4109)
- Compact design
- Incl. adapter and attachment nut



Order No.	DU 1	DU 2	DU 3
9820353	1 pc.	10 pc.	240 pc.

TECE throttle set for flushing cisterns with an installation depth of 13 cm

To adapt the flushing pressure of the standard cisterns (installation depth 13 cm). Installation in valve seat of drain valve, diameter 46-28 mm.



Order No.	DU 1
9820337*	1 pc.

TECE throttle set for flushing cistern with an installation depth to 8.5 cm

Throttle set to adjust the flushing pressure of the TECE standard cisterns with low installation depth (up to 8.5 cm). Installs in valve seat of drain valve, diameter 32-28 mm.



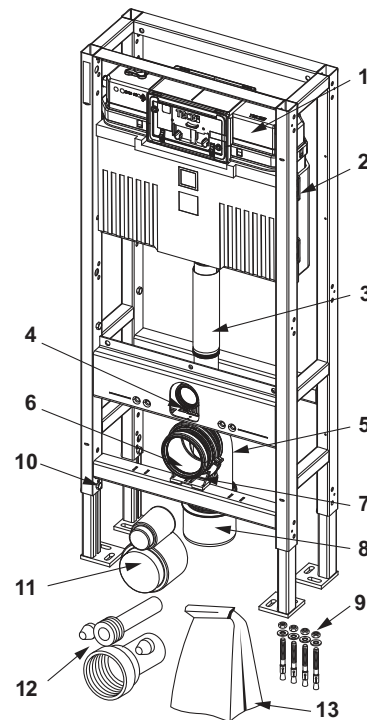
Order No.	DU 1
9820394	1 pc.

* Not in combination with Octa cistern, 8 cm

TECEconstruct – Spare parts

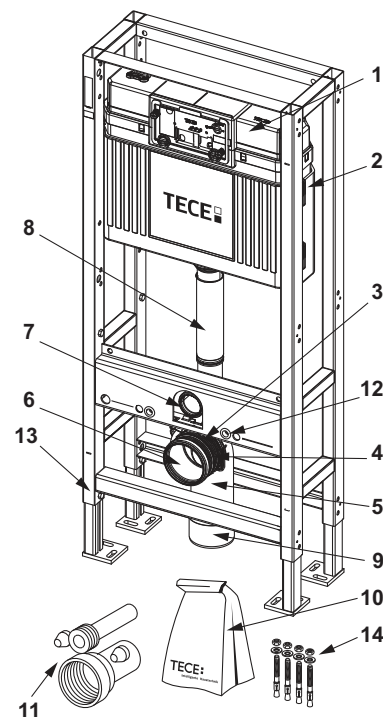
9500393 – TECEconstruct toilet module with Uni cistern, four standing feet, installation height 1120 mm

Pos.	Order No.	Designation	DU 1
1	9820103	Uni cistern 1120 mm	1 pc.
2	9820040	Assembly kit for Uni cistern	1 pc.
3	9820011	Flush pipe with O-ring, length 269 mm, dry-wall construction	1 pc.
4	9820015	Flush pipe seal	1 pc.
5	9820134	Toilet drain bend DN 90 (PP)	1 pc.
6	9820139	Seal for toilet drain bend/adaptor	1 pc.
7	9820348	Toilet drain bend holder complete, underneath (from 04/2017)	1 pc.
8	9820136	Adapter DN 90/DN 100 (PP)	1 pc.
9	9820339	Anchor pegs stainless steel M 8 with washer	1 pc.
10	9820447	Foot brake with steel spring	1 pc.
11	9820312	Bare wall toilet plug for flush pipe and drain bend	NEW 1 pc.
12	9820057	Connection set DN 90 for toilet	1 pc.
13	9820043	By-pack for toilet module (mounting material, etc.)	1 pc.



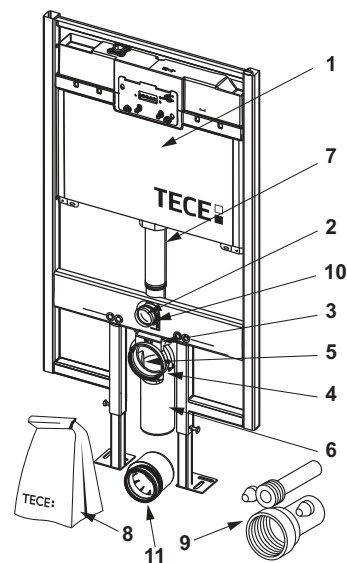
9300093 – TECEconstruct toilet module with Uni cistern, four standing feet, installation height 1120 mm

Pos.	Order No.	Designation	DU 1
1	9820103	Uni cistern 1120 mm	1 pc.
2	9820040	Assembly kit for Uni cistern	1 pc.
3	9820041	Toilet drain bend holder (until 03/2017)	1 pc.
	9820348	Toilet drain bend holder complete, underneath (from 04/2017)	1 pc.
4	9820042	Bracket for toilet drain bend holder (until 03/2017)	1 pc.
5	9820134	Toilet drain bend DN 90 (PP)	1 pc.
6	9820139	Seal for toilet drain bend/adaptor	1 pc.
7	9820015	Flush pipe seal	1 pc.
8	9820011	Flush pipe with O-ring, length 269 mm, dry-wall construction	1 pc.
9	9820136	Adapter DN 90/DN 100 (PP)	1 pc.
10	9820043	By-pack for toilet module (mounting material, etc.)	1 pc.
11	9820057	Connection set DN 90 for toilet	1 pc.
12	9820071	Clinch nut	1 pc.
13	9820447	Foot brake with steel spring	1 pc.
14	9820339	Anchor pegs stainless steel M 8 with washer	1 pc.



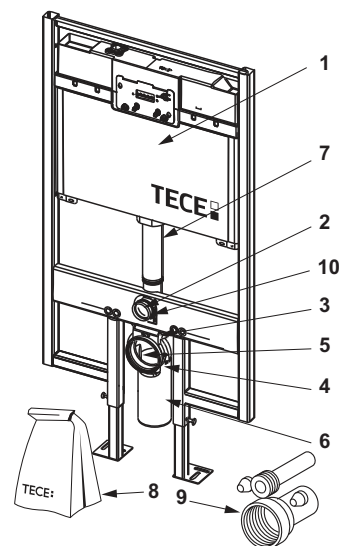
9300065 – TECEconstruct toilet module with Octa cistern, 8 cm, installation height 1200 mm

Pos.	Order No.	Designation	DU 1
1	9820250	Octa cistern, 8 cm	1 pc.
2	9820015	Flush pipe seal	1 pc.
3	9820145	Toilet drain bend holder for dry-wall modules, clip-bar	1 pc.
4	9820042	Bracket for toilet drain bend holder (until 03/2017)	1 pc.
5	9820139	Seal for toilet drain bend/adapter	1 pc.
6	9820150	Toilet drain bend DN 90/90 PE-HD, for cisterns 8 cm	1 pc.
7	9820192	Flush pipe with O-ring, brick-wall construction	1 pc.
8	9820147	By-pack for toilet module with Octa cistern, 8 cm (mounting material, etc.)	1 pc.
9	9820057	Connection set DN 90 for toilet	1 pc.
10	9820254	Flush pipe holder for toilet	1 pc.
11	9820136	Adapter DN 90/DN 100 (PP)	1 pc.



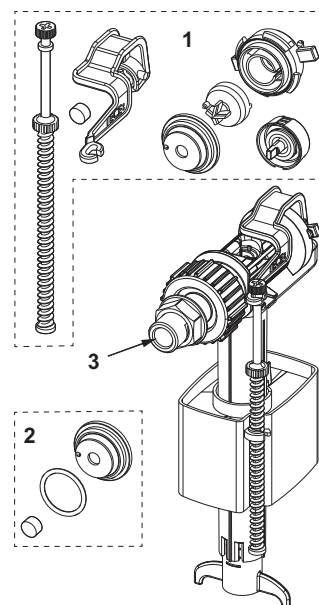
9300040 – TECEconstruct toilet module with Octa cistern, 8 cm, installation height 1200 mm

Pos.	Order No.	Designation	DU 1
1	9820250	Octa cistern, 8 cm	1 pc.
2	9820015	Flush pipe seal	1 pc.
3	9820145	Toilet drain bend holder for dry-wall modules, clip-bar	1 pc.
4	9820042	Bracket for toilet drain bend holder (until 03/2017)	1 pc.
5	9820139	Seal for toilet drain bend/adapter	1 pc.
6	9820150	Toilet drain bend DN 90/90 PE-HD, for cisterns 8 cm	1 pc.
7	9820192	Flush pipe with O-ring, brick-wall construction	1 pc.
8	9820147	By-pack for toilet module with Octa cistern, 8 cm (mounting material, etc.)	1 pc.
9	9820057	Connection set DN 90 for toilet	1 pc.
10	9820254	Flush pipe holder for toilet	1 pc.



9820353 – TECE filling valve F 10 universal

Pos.	Order No.	Designation	DU 1
1	9820382	Filling valve F 10 valve lever set	1 pc.
2	9820383	Filling valve F 10 sealing kit	1 pc.
3	9820398	Filling valve F 10 threaded connection 3/8"	1 pc.

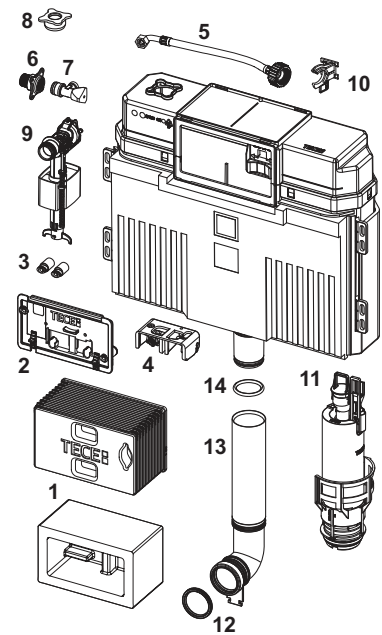


TECEconstruct – Spare parts

9820103 – TECE Uni cistern 1120 mm

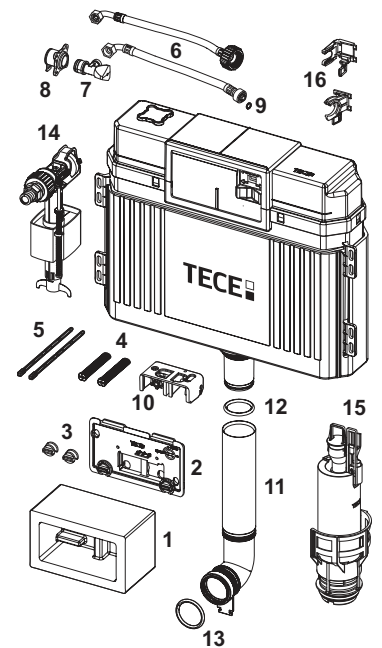
Valid from: April 2021

Pos.	Order No.	Designation	DU	1
1	9820499	Installation tunnel incl. polystyrene block	NEW	1 pc.
	9820027	Bare-wall protection system		1 pc.
2	9820017	Splash guard, complete		1 pc.
3	9820496	“Easy fit” attachment	NEW	1 pc.
4	9820016	Actuation block		1 pc.
5	9820374	Reinforced hose M 30 (from 2020)		1 pc.
6	9820012	Cistern connection		1 pc.
7	9820013	Corner valve		1 pc.
8	9820495	Closure plug Uni cistern	NEW	1 pc.
9	9820353	Filling valve F 10 universal		1 pc.
10	9820373	Filling valve holder for Uni cistern (27 mm, M 30, from 2020)		1 pc.
11	9820223	Drain valve A 2		1 pc.
12	9820015	Flush pipe seal		1 pc.
13	9820011	Flush pipe with O-ring, length 269 mm, dry-wall construction		1 pc.
	9820331	Extra long flush pipe, length 369 mm		1 pc.
14	9820014	O-ring		1 pc.



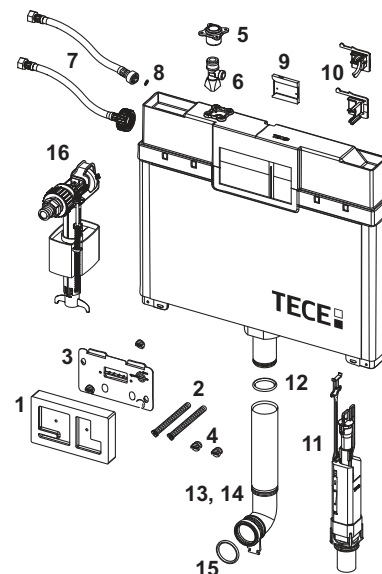
Valid till: March 2021

Pos.	Order No.	Designation	DU	1
1	9820027	Bare-wall protection system		1 pc.
2	9820017	Splash guard, complete		1 pc.
3	9820018	Clamping screws		1 pc.
4	9820019	Attaching rods		1 pc.
5	9820022	Actuation rods		1 pc.
6	9820026	Reinforced hose 3/8" (until 2019)		1 pc.
	9820374	Reinforced hose M 30 (from 2020)		1 pc.
7	9820013	Corner valve		1 pc.
8	9820012	Cistern connection		1 pc.
9	9820025	O-ring		1 pc.
10	9820016	Actuation block		1 pc.
11	9820011	Flush pipe with O-ring, length 269 mm, dry-wall construction		1 pc.
	9820331	Extra long flush pipe, length 369 mm		1 pc.
12	9820014	O-ring		1 pc.
13	9820015	Flush pipe seal		1 pc.
14	9820353	Filling valve F 10 universal		1 pc.
15	9820223	Drain valve A 2		1 pc.
	9820372	Filling valve holder for Uni cistern (17 mm, 3/8", up to 2019)		1 pc.
	9820373	Filling valve holder for Uni cistern (27 mm, M 30, from 2020)		1 pc.



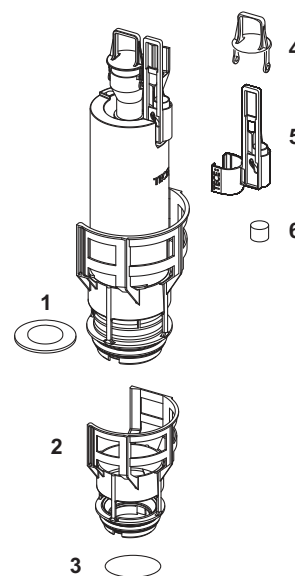
9820250 – TECE Octa cistern, 8 cm

Pos.	Order No.	Designation	DU 1
1	9820188	Bare-wall protection system, short	1 pc.
2	9820189	Attaching rod set, short	1 pc.
3	9820194	Splash guard, complete	1 pc.
4	9820191	Clamping screws set	1 pc.
5	9820012	Cistern connection	1 pc.
6	9820013	Corner valve	1 pc.
7	9820217	Reinforced hose complete for Octa cistern, 8 cm	1 pc.
	9820376	Reinforced hose M 30	1 pc.
8	9820221	Reinforced hose O-ring	1 pc.
9	9820216	Retainer for filling valve holder	1 pc.
10	9820375	Filling valve holder for Octa cistern (27 mm, M 30)	1 pc.
	9820215	Filling valve holder for Octa cistern (17 mm, 3/8")	1 pc.
11	9820224	Drain valve A 3 for Octa cistern, 8 cm	1 pc.
12	9820014	O-ring	1 pc.
13	9820192	Flush pipe with O-ring, brick-wall construction	1 pc.
14	9820011	Flush pipe with O-ring, length 269 mm, dry-wall construction	1 pc.
15	9820015	Flush pipe seal	1 pc.
16	9820353	Filling valve F 10 universal	1 pc.



9820223 – TECE drain valve A 2

Pos.	Order No.	Designation	DU 1
1	9820233	Gasket (drain valve)	1 pc.
2	9820231	Valve seat with standard throttle (ø 42 mm)	1 pc.
3	9820005	O-ring (valve seat)	1 pc.
4	9820222	Draw eyelet	1 pc.
5	9820229	Pull rod for electrical actuation	1 pc.
6	9820420	Additional weight small pull rod	1 pc.



TECEconstruct – Spare parts

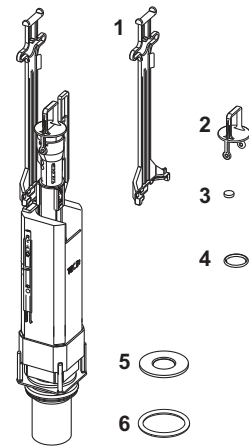
TECE drain valve A3 for Octa cistern, 8 cm

Order No.	DU 1
9820224	1 pc.



9820224 – TECE drain valve A3 for Octa cistern, 8 cm

Pos.	Order No.	Designation	DU 1
1	9820163	Hold-down device (narrow drain valve)	1 pc.
2	9820222	Draw eyelet	1 pc.
3	9820275	Additional weight	1 pc.
4	9820446	O-ring joint drain valve A 3 (10 pieces)	1 pc.
5	9820161	Gasket (narrow drain valve)	1 pc.
6	9820220	O-ring on valve seat	NEW 1 pc.





Sanitary Systems

TECEbox BRICK-WALL MODULES

ASSORTMENT LIST 2021

	Page
Toilet modules with Uni cistern	200
Toilet modules with Octa cistern	210
Washstand, urinal	214
Accessories	216
Spare parts box	221
Spare parts	222

An overview of valid Declaration of Performance (DOP) is available on our website www.tece.com.

Notes:

DU 1 = minimum order quantity per item; sometimes it is not possible to order smaller quantities for technical reasons
DU 2 = Euro palette for modules

TECEbox – Toilet modules with Uni cistern

TECEbox toilet module with Uni cistern, installation height 1060 mm **NEW**

Toilet module including “easy fit” flush plate installation. For bricked-in pre-wall installation in front of a solid wall.

Uni cistern for front actuation:

- Safety tank made of impact-resistant plastic, tested to EN 14055
- Cistern fully pre-assembled and sealed.
- Cistern connection with outer thread R 1/2" at the side, compatible with quick adapters
- 10 litre tank volume; 6 litre pre-set standard flush volume, 4.5/7.5/9-litre flush volume can be set at any time; 3-litre partial flush volume for dual-flush system; remaining volume can be used for immediate cleaning flush.
- Insulated against condensation water
- For TECE flush plates and toilet flush handle
- Can be used as a single or dual-flush cistern
- “easy fit” flush plate installation
- Installation tunnel for service opening, can be shortened without tools
- Low-noise hydraulic filling valve, fitting group 1 according to DIN 4109

Module frame:

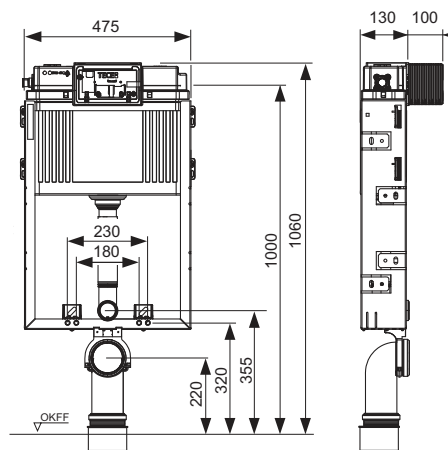
- Steel frame, galvanised
- Two M 12 retaining bolts and M 12 nuts, 180 or 230 mm installation spacing
- Toilet drain bend DN 90 with joint adapter DN 90/100, made of PP
- Joint adapter also suitable for horizontal installation
- DN 90 toilet connection set including protective plug

Please order separately:

- Toilet flush plate (see flush plates)
- Assembly feet 9030024 (optional)
- Insert chute for cleaning tablets (optional)
- TECEone upgrade set for brick-wall construction (optional)

Note:

Ideal for row assembly by fixing directly with corner joints and TECEprofil section tube as an aid to alignment.



Order No.		DU 1	DU 2	DU 3
9370300	NEW	1 pc.	10 pc.	60 pc.

TECEbox toilet module with Uni cistern, installation height 1060 mm

For installation in a bricked-in pre-wall in front of a solid wall.

Consisting of:

Uni cistern for front actuation:

- Safety tank made of impact-resistant plastic
- Cistern completely pre-assembled and sealed
- Cistern connection with 1/2" inner thread
- 10-litre tank volume; 6-litre preset standard flush volume; 4.5/7.5/9-litre flush volume can be set at any time; 3-litre partial flush volume with dual-flush system. Residual volume usable for immediate flush cleaning.
- Insulated against condensation water
- For TECE flush plates and toilet flush handle
- Can be set as a single or dual-flush cistern depending on the flush plate used
- Tested to EN 14055
- Fitting group 1 in accordance with DIN 4109
- Low-noise hydraulic filling valve

Module consisting of:

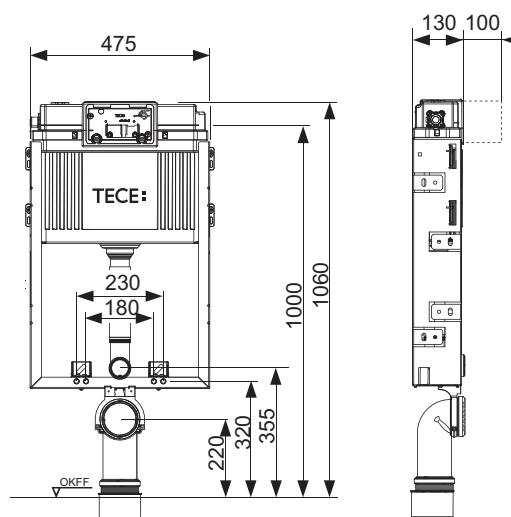
- Galvanised steel frame
- Two M 12 retaining bolts and nuts, installation spacing 180 or 230 mm
- Toilet drain bend DN 90 incl. joint adapter DN 90/100 made of PP
- Joint adapter also suitable for horizontal installation
- Toilet connection set DN 90, including protective plugs

Please order separately:

- Toilet flush plate (see flush plates)
- Insert chute for cleaning tablets
- Assembly feet 9030024
- TECEone upgrade set for brick-wall

Note:

Ideal for assembly in rows by fixing directly with corner joints and TECEprofil tube as an aid to alignment.



Order No.		DU 1	DU 2	DU 3
9370000	SALE	1 pc.	10 pc.	60 pc.

Follow-up item see 9370300
with new scope of service and supply.

TECEbox – Toilet modules with Uni cistern

TECEbox toilet module with Uni cistern and tile base front, installation **NEW** height 820 mm

Toilet module including “easy fit” flush plate installation. For installation in a bricked-in pre-wall in front of a solid wall, depth-adjustable.

Uni cistern for front or top actuation:

- Safety tank made of impact-resistant plastic, tested to EN 14055
- Cistern fully pre-assembled and sealed.
- Cistern connection with outer thread R 1/2" at the side, compatible with quick adapters
- 10 litre tank volume; 6 litre pre-set standard flush volume, 4.5/7.5/9-litre flush volume can be set at any time; 3-litre partial flush volume for dual-flush system; remaining volume can be used for immediate cleaning flush.
- Insulated against condensation water
- For TECE flush plates and toilet flush handle
- Can be used as a single or dual-flush cistern
- “easy fit” flush plate installation
- Installation tunnel for service opening, can be shortened without tools
- Low-noise hydraulic filling valve, fitting group 1 according to DIN 4109

Module frame:

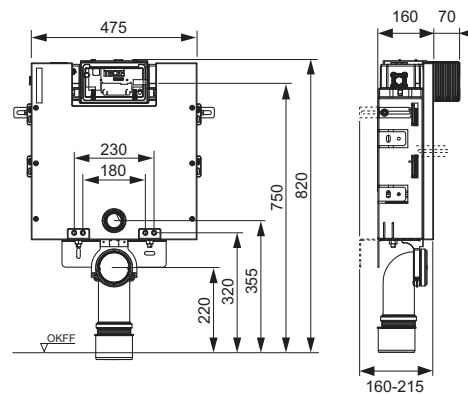
- Steel frame with front tile base made of 30 mm structural board, galvanised
- Toilet drain bend DN 90 with joint adapter DN 90/100, made of PP
- Joint adapter also suitable for horizontal installation
- DN 90 toilet connection set including protective plug

Please order separately:

- Toilet flush plate (see flush plates)
- Insert chute for cleaning tablets (optional, front actuation only)
- TECEone upgrade set for brick-wall construction (optional)

Caution:

If the flush plate is fitted in front of cisterns with low installation height and a compact ceramic is used, the toilet lid may occasionally drop down unintentionally. When using compact ceramics fit the flush plate with top actuation only.



Order No.		DU 1	DU 2	DU 3
9375300	NEW	1 pc.	10 pc.	60 pc.

TECEbox toilet module with Uni cistern and tile base front, installation height 820 mm

Toilet module for installation in a bricked-in pre-wall in front of a solid wall, depth-adjustable.

Consisting of:

Uni cistern for front actuation:

- Safety tank made of impact-resistant plastic cistern
- Cistern fully pre-assembled and sealed
- Cistern connection with 1/2" inner thread
- 10-litre tank volume; 6-litre preset standard flush volume; 4.5/7.5/9-litre flush volume can be optimally set at any time; 3-litre partial flush volume for dual-flush system. Residual volume usable for immediate flush cleaning.
- Insulated against condensation water
- For TECE flush plates and toilet flush handle
- Can be set as a single or dual-flush cistern depending on the flush plate used.
- Tested to EN 14055
- Fitting group 1 in accordance with DIN 4109
- Low-noise hydraulic filling valve

Module consisting of:

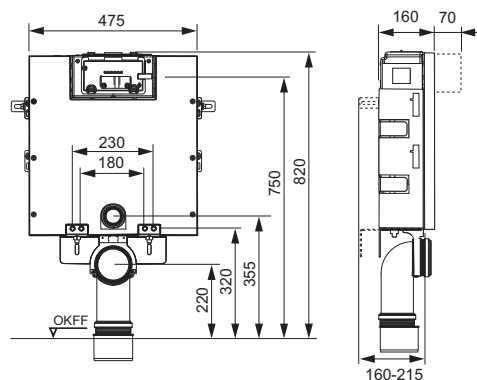
- Front tile base made of 30 mm structural board
- Toilet drain bend DN 90 incl. joint adapter DN 90/100 made of PP
- Joint adapter also suitable for horizontal installation
- Toilet connection set DN 90, including protective plugs

Please order separately:

- Toilet flush plate (see flush plates)
- Insert chute for cleaning tablets (only for front actuation)
- TECEone upgrade set for brick-wall construction

Caution:

If the flush plate is fitted in front of cisterns with low installation height and a compact ceramic is used, the toilet lid may occasionally drop down unintentionally. When using compact ceramics fit the flush plate with top actuation only.



Follow-up item see **9375300**
with new scope of service and supply.

Order No.		DU 1	DU 2	DU 3
9375000	SALE	1 pc.	10 pc.	60 pc.

TECEbox – Toilet modules with Uni cistern

TECEbox toilet module with Uni cistern, installation height 820 mm **NEW**

Toilet module including “easy fit” flush plate installation. For installation in a bricked-in pre-wall in front of a solid wall, depth-adjustable.

Uni cistern for front or top actuation:

- Safety tank made of impact-resistant plastic, tested to EN 14055
- Cistern fully pre-assembled and sealed.
- Cistern connection with outer thread R 1/2" at the side, compatible with quick adapters
- 10 litre tank volume; 6 litre pre-set standard flush volume, 4.5/7.5/9-litre flush volume can be set at any time; 3-litre partial flush volume for dual-flush system; remaining volume can be used for immediate cleaning flush.
- Insulated against condensation water
- For TECE flush plates and toilet flush handle
- Can be used as a single or dual-flush cistern
- “easy fit” flush plate installation
- Installation tunnel for service opening, can be shortened without tools
- Low-noise hydraulic filling valve, fitting group 1 according to DIN 4109

Module frame:

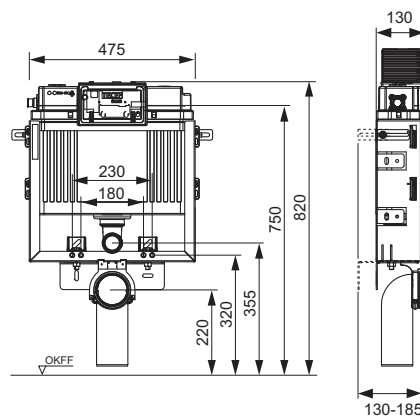
- Toilet drain bend DN 90 with joint adapter DN 90/100, made of PP
- Joint adapter also suitable for horizontal installation
- DN 90 toilet connection set including protective plug

Please order separately:

- Toilet flush plate (see flush plates)
- Insert chute for cleaning tablets (optional, front actuation only)

Caution:

If the flush plate is fitted in front of cisterns with low installation height and a compact ceramic is used, the toilet lid may occasionally drop down unintentionally. When using compact ceramics fit the flush plate with top actuation only.



Order No.		DU 1	DU 2	DU 3
9375304	NEW	1 pc.	10 pc.	60 pc.

TECEbox toilet module with Uni cistern, installation height 820 mm

Toilet module for installation in a bricked-in pre-wall in front of a solid wall, depth-adjustable.

Consisting of:

Uni cistern for front actuation:

- Safety tank made of impact-resistant plastic cistern
- Cistern fully pre-assembled and sealed
- Cistern connection with 1/2" inner thread
- 10-litre tank volume; 6-litre preset standard flush volume; 4.5/7.5/9-litre flush volume can be optimally set at any time; 3-litre partial flush volume for dual-flush system. Residual volume usable for immediate flush cleaning.
- Insulated against condensation water
- For TECE flush plates and toilet flush handle
- Can be set as a single or dual-flush cistern depending on the flush plate used
- Tested to EN 14055
- Fitting group 1 in accordance with DIN 4109
- Low-noise hydraulic filling valve

Module consisting of:

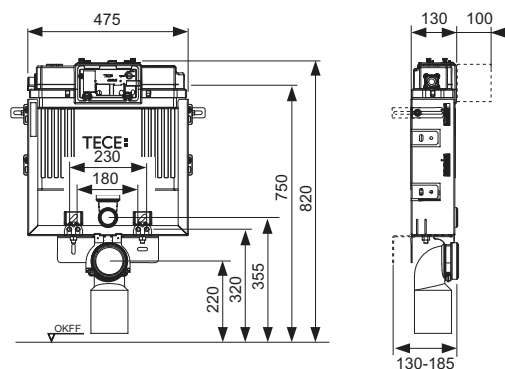
- Toilet drain bend DN 90 incl. joint adapter DN 90/100 made of PP
- Joint adapter also suitable for horizontal installation
- Toilet connection set DN 90, including protective plugs

Please order separately:

- Toilet flush plate (see flush plates)
- Insert chute for cleaning tablets (front actuation only)

Caution:

If the flush plate is fitted in front of cisterns with low installation height and a compact ceramic is used, the toilet lid may occasionally drop down unintentionally. When using compact ceramics fit the flush plate with top actuation only.



Follow-up item see [9375304](#) with new scope of service and supply.

Order No.		DU 1	DU 2
9375004	SALE	1 pc.	10 pc.

TECEbox – Toilet modules with Uni cistern

TECEbox toilet module with Uni cistern, with tileable front facing, installation height 1110 mm **NEW**

Toilet module including “easy fit” flush plate installation. For installation in a bricked-in pre-wall; closed surface suitable for tiling made of glass fibre light-weight concrete board.

Uni cistern for front actuation:

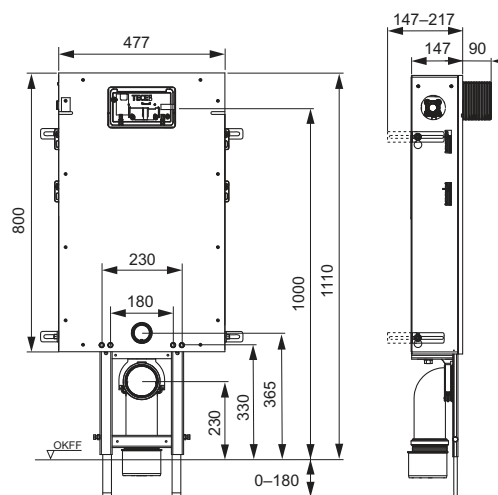
- Safety tank made of impact-resistant plastic, tested to EN 14055
- Cistern fully pre-assembled and sealed.
- Cistern connection with outer thread R 1/2" at the side, compatible with quick adapters
- 10 litre tank volume; 6 litre pre-set standard flush volume, 4.5/7.5/9-litre flush volume can be set at any time; 3-litre partial flush volume for dual-flush system; remaining volume can be used for immediate cleaning flush.
- Insulated against condensation water
- For TECE flush plates and toilet flush handle
- Can be used as a single or dual-flush cistern
- “easy fit” flush plate installation
- Installation tunnel for service opening, can be shortened without tools
- Low-noise hydraulic filling valve, fitting group 1 according to DIN 4109

Module frame:

- Steel frame, galvanised
- Two M 12 retaining bolts and M 12 nuts, 180 or 230 mm installation spacing
- Toilet drain bend DN 90 with joint adapter DN 90/100, made of PP
- Joint adapter also suitable for horizontal installation
- DN 90 toilet connection set including protective plug
- Pre-assembled height-adjustable supporting feet

Please order separately:

- TECEbox assembly area cover (Order No. 9200012)
- Toilet flush plate (see flush plates)
- Insert chute for cleaning tablets (optional)
- TECEone upgrade set for brick-wall construction (optional)



Order No.		DU 1	DU 2	DU 3
9371300	NEW	1 pc.	10 pc.	60 pc.

TECEbox toilet module with Uni cistern, with tileable front facing, installation height 1110 mm

Toilet module for installation in a bricked-in pre-wall. Closed surface suitable for tiling made of glass fibre lightweight concrete board.

Consisting of:

Uni cistern for front actuation:

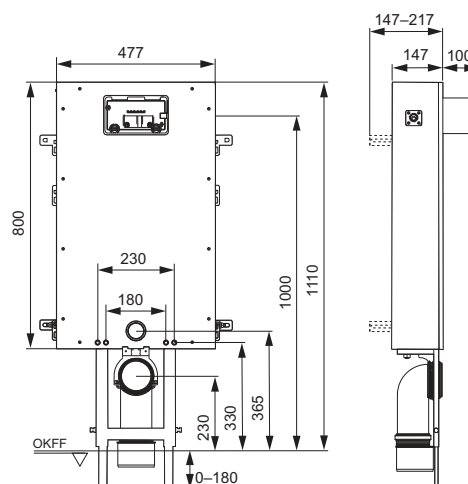
- Safety tank made of impact-resistant plastic cistern
- Cistern fully pre-assembled and sealed
- Cistern connection with 1/2" inner thread
- 10-litre tank volume; 6-litre preset standard flush volume; 4.5/7.5/9-litre flush volume can be optimally set at any time; 3-litre partial flush volume for dual-flush system. Residual volume usable for immediate flush cleaning.
- Insulated against condensation water
- For TECE flush plates and toilet flush handle
- Can be set as a single or dual-flush cistern depending on the flush plate used.
- Tested to EN 14055
- Fitting group 1 in accordance with DIN 4109
- Low-noise hydraulic filling valve

Module consisting of:

- Galvanised steel frame
- Two M 12 retaining bolts and nuts, installation spacing 180 or 230 mm
- Toilet drain bend DN 90 incl. joint adapter DN 90/100 made of PP
- Joint adapter also suitable for horizontal installation
- Toilet connection set DN 90, including protective plugs
- Including pre-assembled height-adjustable supporting feet

Please order separately:

- TECEbox plus build space cover, Order No. 9200012
- Toilet flush plate (see flush plates)
- Insert chute for cleaning tablets
- TECEone upgrade set for brick-wall



Order No.		DU 1	DU 2	DU 3
9371000	SALE	1 pc.	10 pc.	60 pc.

Follow-up item see 9371300 with new scope of service and supply.

TECEbox assembly area cover

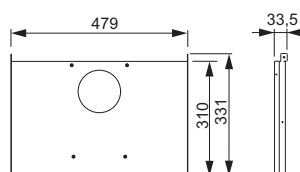
Steel sheet with screw-on glass fibre lightweight concrete plate. To face the entire surface of the lower build space of the TECEbox with tileable surface.

Consisting of:

- Steel sheet with screw-on glass fibre light concrete plate
- Mounting materials



Order No.		DU 1	DU 2	DU 3
9200012		1 pc.	10 pc.	60 pc.



TECEbox – Toilet modules with Uni cistern

TECE Uni cistern including mounting plate, installation height 1060 mm **NEW**

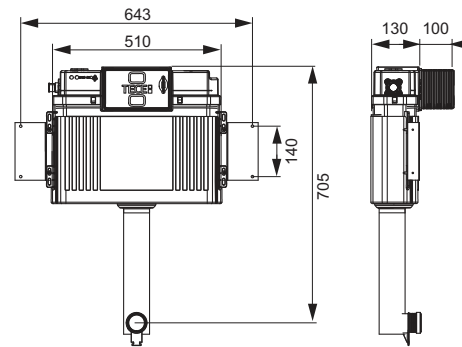
Uni cistern for shell installation including “easy fit” flush plate installation.

Uni cistern for front actuation:

- Safety tank made of impact-resistant plastic, tested to EN 14055
- Cistern fully pre-assembled and sealed.
- Cistern connection with outer thread R 1/2" at the side, compatible with quick adapters
- 10 litre tank volume; 6 litre pre-set standard flush volume, 4.5/7.5/9-litre flush volume can be set at any time; 3-litre partial flush volume for dual-flush system; remaining volume can be used for immediate cleaning flush.
- Insulated against condensation water
- For TECE flush plates and toilet flush handle
- Can be used as a single or dual-flush cistern
- “easy fit” flush plate installation
- Installation tunnel for service opening, can be shortened without tools
- Low-noise hydraulic filling valve, fitting group 1 according to DIN 4109 - test certificate P-IX3837/I
- Including mounting plate und assembly material
- Flush pipe elbow
- Including connection set for floor-standing toilet with Euro rosette

Please order separately:

- Toilet flush plate (see flush plates)
- Insert chute for cleaning tablets (optional)



Order No.		DU 1	DU 2
9041308	NEW	1 pc.	30 pc.

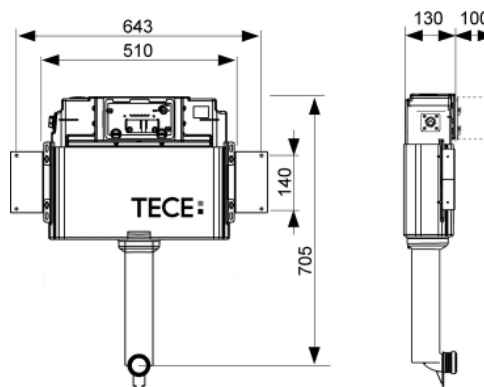
TECEbox – Toilet modules with Uni cistern

TECEbox Uni cistern including mounting plate, installation height 1060 mm

Uni cistern for shell installation.

Consisting of:

- Safety tank made of impact-resistant plastic
- Cistern fully pre-assembled and sealed
- Corner valve and cistern connection pre-assembled, cistern connection with 1/2" inner thread
- 10 litre tank volume; 6 litre preset standard flush volume; 4.5/7.5/9-litre flush volume can be set at any time; 3 litre partial flush volume with dual-flush system.
- Residual volume usable for immediate flush cleaning.
- Insulated against condensation water
- For TECE flush plates and toilet flush handle
- Can be set as a single or dual-flush cistern depending on the flush plate used.
- Tested to EN 14055
- Fitting group 1 in accordance with DIN 4109 - test certificate P-IX3837/I
- Low-noise hydraulic filling valve
- Includes mounting plate and mounting materials
- Flush pipe elbow
- Includes connection set for floor-standing toilet with Euro rosette



Order No.		DU 1	DU 2
9041008	SALE	1 pc.	30 pc.

Follow-up item see 9041308
with new scope of service and supply.

TECEbox – Toilet modules with Octa cistern

TECEbox Octa cistern, 8 cm, for floor-standing toilet, with reinforcement fabric, installation height 1110 mm

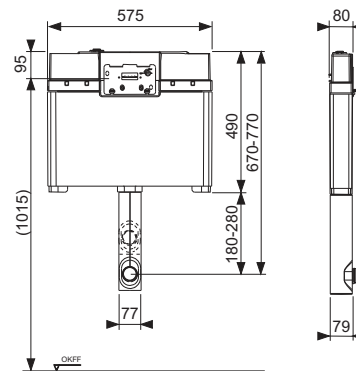
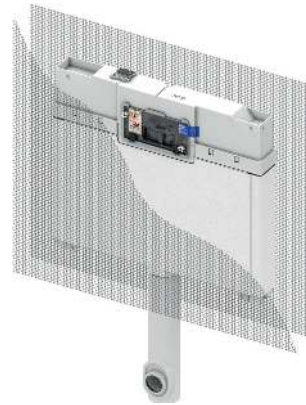
Octa cistern for floor-standing toilet, depth 8 cm, for installation in a wall or in front of a solid wall.

Consisting of:

- Safety tank made of impact-resistant plastic
- Cistern fully pre-assembled and sealed
- Cistern connection with 1/2" inner thread
- 9.5 litre tank volume; 6 litre preset standard flush volume; 4.5/6/9-litre flush volume can be set as an option at any time; 3 litre partial flush volume with dual-flush system. Residual volume usable for immediate flush cleaning.
- Insulated against condensation water
- For TECE flush plates and toilet flush handle
- Can be set as a single or dual-flush cistern depending on the flush plate used
- Tested to EN 14055
- Low-noise hydraulic filling valve
- Reinforcement fabrics for mounting

Please order separately:

- Manual toilet flush plate (see flush plates)
- TECEbox flush pipe connector



Sanitary Modules

Order No.		DU 1	DU 2
9370007*	SALE	1 pc.	25 pc.

Follow-up item see 9370500 with new scope of service and supply.

TECEbox toilet module with Octa cistern, 8 cm, for wall toilet, installation height 1110 mm

Toilet module for wall toilet, depth 8 cm, for installation in a bricked-in wall or in front of a solid wall construction.

Consisting of:

Octa cistern, 8 cm, for front actuation:

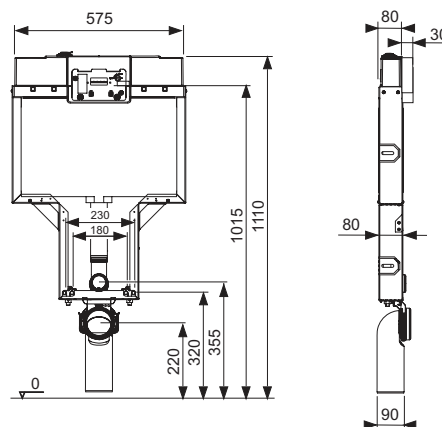
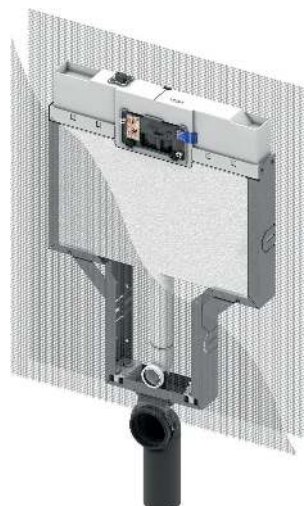
- Safety tank made of impact-resistant plastic
- Cistern completely pre-assembled and sealed
- Cistern connection with 1/2" inner thread
- 9.5-litre tank volume; 6-litre preset standard flush volume; 4.5/6/9-litre flush volume can be set at any time; 3-litre partial flush volume with dual-flush system. Residual volume usable for immediate flush cleaning.
- Insulated against condensation water
- For TECE flush plates and toilet flush handle
- Can be set as a single or dual-flush cistern depending on the flush plate used
- Tested to EN 14055
- Low-noise hydraulic filling valve
- Reinforcement fabrics for mounting

Module consisting of:

- Drain bend DN 90/90 PE-HD
- Toilet connection set DN 90 including protection plugs
- 180 or 230 mm ceramic mounting distance

Please order separately:

- Manual toilet flush plate (see flush plates)
- TECEbox module feet
- TECEprofil sound insulation kit
- TECEone upgrade set for brick-wall, for cisterns with installation depth up to 8.5 cm



Order No.		DU 1	DU 2
9370008*	SALE	1 pc.	18 pc.

Follow-up item see 9370501
with new scope of service and supply.

TECEbox – Toilet modules with Octa cistern

TECEbox toilet module with Octa cistern, 8 cm, with connection for odour extraction, installation height 1110 mm

Toilet module for wall toilet, depth 8 cm, for installation in a bricked-in wall or in front of a solid wall construction.

Consisting of:

Octa cistern, 8 cm, for front actuation:

- Safety tank made of impact-resistant plastic
- Cistern completely pre-assembled and sealed
- Cistern connection with 1/2" inner thread
- 9.5-litre tank volume; 6-litre preset standard flush volume; 4.5/6/9-litre flush volume can be set at any time; 3-litre partial flush volume with dual-flush system. Residual volume usable for immediate flush cleaning.
- Insulated against condensation water
- For TECE flush plates and toilet flush handle
- Can be set as a single or dual-flush cistern depending on the flush plate used.
- Tested to EN 14055
- Low-noise hydraulic filling valve
- Reinforcement fabrics for mounting

Module consisting of:

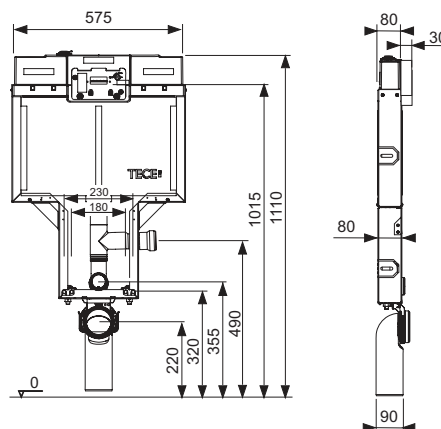
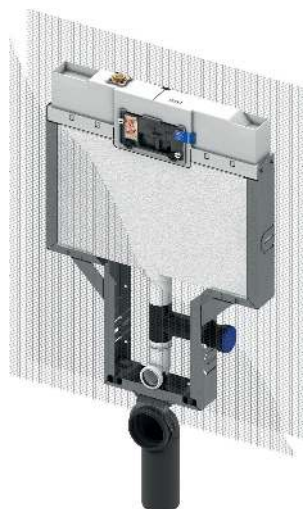
- Drain bend DN 90/90 PE-HD
- Toilet connection set DN 90 including protection plugs
- Connection DN 50 for odour extraction
- 180 or 230 mm ceramic mounting distance

Please order separately:

- Manual toilet flush plate (see flush plates)
- TECEone upgrade set for brick-wall, for cisterns with installation depth up to 8.5 cm

Note:

Odour extraction is possible for all conventional toilet ceramics. However, the flushing water remains standing in the flush pipe of some ceramics with a higher sitting position or higher flushing rim, resulting in the bowl becoming partially or completely full. The current "Technical Information" offers an overview of the affected ceramics in which it is not possible to fit the odour extraction option.



Follow-up item see 9370502 with new scope of service and supply.

Order No.		DU 1	DU 2
9370041*	SALE	1 pc.	18 pc.

TECEbox toilet module with Octa cistern, 8 cm, for wall toilet, sound-insulated, installation height 1110 mm

Toilet module for wall toilet, depth 8 cm, for installation in a bricked-in wall or in front of a solid wall construction.

Consisting of:

Octa cistern, 8 cm, for front actuation:

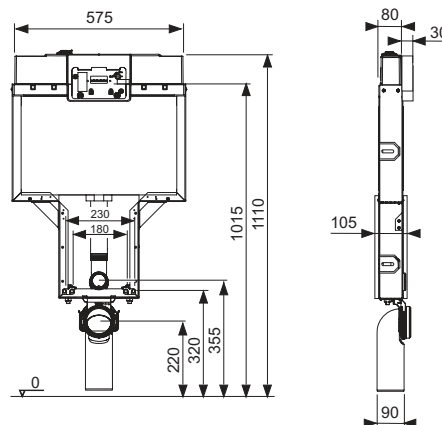
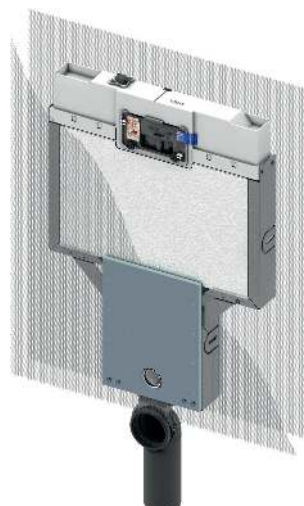
- Safety tank made of impact-resistant plastic
- Cistern completely pre-assembled and sealed
- Cistern connection with 1/2" inner thread
- 9.5-litre tank volume; 6-litre preset standard flush volume; 4.5/6/9-litre flush volume can be set at any time; 3-litre partial flush volume with dual-flush system. Residual volume usable for immediate flush cleaning.
- Insulated against condensation water
- For TECE flush plates and toilet flush handle
- Can be set as a single or dual-flush cistern depending on the flush plate used.
- Tested to EN 14055
- Low-noise hydraulic filling valve

Module consisting of:

- Drain bend DN 90/90 PE-HD
- Toilet connection set DN 90 including protection plugs
- Sound insulation kit
- Lower build space sound-insulated
- 180 or 230 mm ceramic mounting distance

Please order separately:

- Manual toilet flush plate (see flush plates)
- TECEbox assembly feet
- TECEone upgrade set for brick-wall, for cisterns with installation depth up to 8.5 cm



Order No.		DU 1	DU 2
9370009*	SALE	1 pc.	18 pc.

Follow-up item see 9370501
with new scope of service and supply.

TECEbox – Washstand, urinal

TECEbox washstand module, installation depth 8 cm

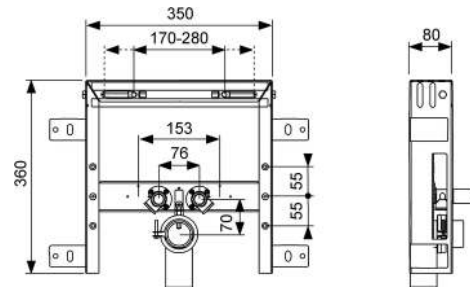
Washstand module for installation in a wall or in front of a solid wall.

Components:

- Continuous steel profile
- Adjustable washstand fixing centres
- Two wall disks 1/2" x 1/2" inner thread
- PE-HD drain bend \varnothing 50 mm (weldable) including flush pipe seal and installation material



Order No.	DU 1	DU 2
9370032	1 pc.	50 pc.



TECEbox brick-wall frame for washstand

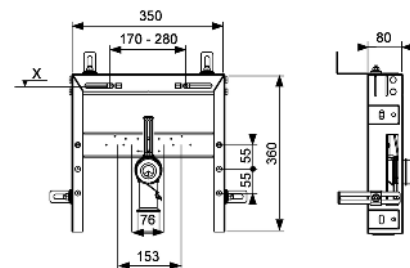
To be sealed in front of a solid wall, with four depth-adjustable wall attachments, installation depth 8-19 cm, ceramic mounting spacing 17-28 cm.

Consisting of:

- Surrounding steel frame
- DN 40/50 connecting elbow with NW 30/50 rubber collar (also serves as a seal) incl. protective plug
- Two threaded rods M 10 for ceramic mounting
- Fixing material



Order No.	DU 1
9370033	1 pc.

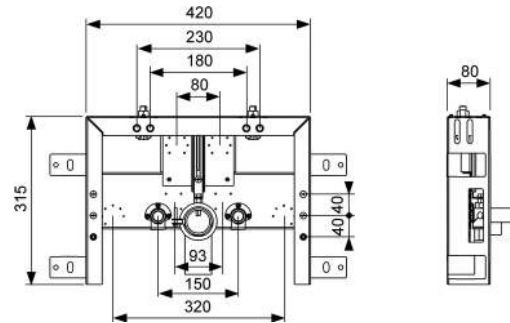


TECEbox bidet module, installation depth 8 cm

Bidet module for installation in the wall or in front of a solid wall construction.

Components:

- Continuous steel profile
- Installation spacing 180/230 mm
- Two wall disks 1/2" x 1/2" inner thread
- PE-HD drain bend ø 50 mm including flush pipe seal
- Ceramic mounting set
- Mounting materials



Order No.	DU 1	DU 2
9370031	1 pc.	50 pc.

TECEbox urinal flush valve housing U 2

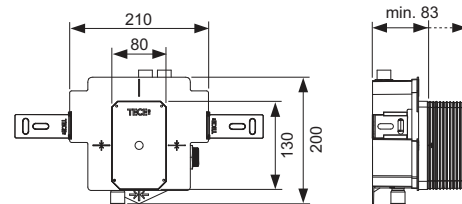
For mounting the TECE urinal valve U 2 in brick-wall construction, for combination with the TECEfilo urinal electronics.

Consisting of:

- Urinal flush valve housing U 2 inlet flow control and bare-wall protection system
- 230 V/12 V-transformer integrated for direct 230 V connection
- Connection IT 1/2"
- Incl. mounting elbow and mounting materials

Please order separately:

- TECEfilo urinal electronics (see section on urinal actuators)



Order No.	DU 1
9370040	1 pc.

TECEbox urinal flush valve housing U 1 with retaining clip

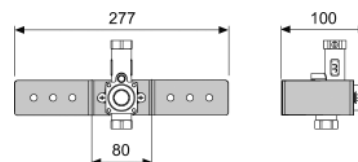
Urinal flush valve housing to fit the TECE urinal flush valve U 1 to brick-wall constructions.

Consisting of:

- Connection 1/2" IT
- Urinal flush valve housing U 1 with inlet flow control and bare-wall protection system
- Galvanised steel retaining clip

Please order separately:

- Manual urinal flush plate or electronic (TECEsquare, TECEloop, TECEsolid, TECEplanus as well as TECEnow Urinal)



Order No.	DU 1
9370021	1 pc.

TECEbox – Accessories

TECEbox assembly feet

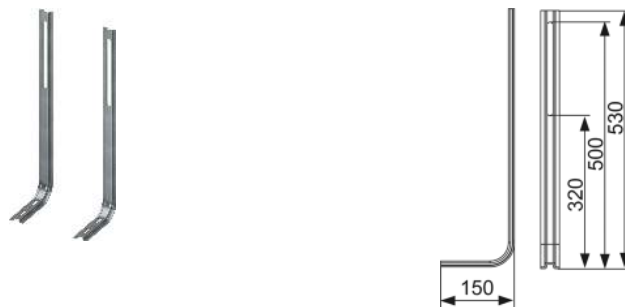
Assembly aid for installation of the TECEbox toilet module without front facing.

Consisting of:

- Two galvanised assembly feet
- Mounting materials for floor attachment

Caution:

TECEbox assembly feet are not suitable for assembly in a TECEprofil or stud wall.



Order No.	DU 1	DU 2
9030024	1 set	10 set

TECEone upgrade set for brick-wall, for cisterns with inst. depth up to 8.5 cm

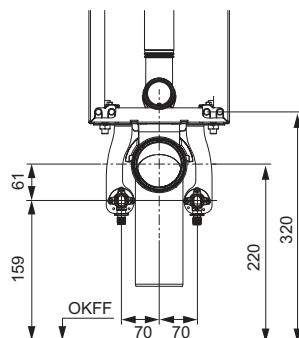
Sound-insulated shell set for pre-installation of brick-wall mounted cistern with installation depth up to 8.5 cm for the TECEone water connection.

Shell set consisting of:

- Holding plates for hot and cold water connections
- Sound-proofing elements for wall disks
- Attachment screws for wall disks



Order No.	DU 1
9880048	1 pc.



TECEone upgrade set for brick-wall, for cisterns with inst. depth 13 cm

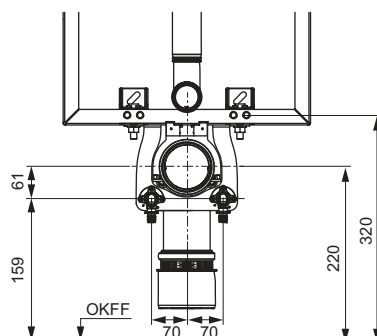
Sound-insulated shell set for pre-installation of brick-wall modules with installation depth 13 cm for the TECEone.

Shell set consisting of:

- Holding plate for hot and cold water connections
- Sound-proofing elements for wall disks
- Attachment screws for wall disks
- Mounting materials



Order No.	DU 1
9880047	1 pc.



TECEbox assembly feet for toilet modules with Octa cistern, 8 cm

Assembly feet made of steel, height-adjustable from 290 to 495 mm, including mounting materials for TECEbox toilet module with Octa cistern, 8 cm.

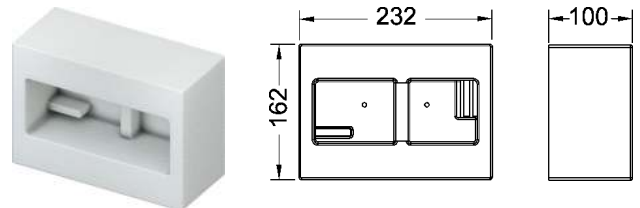
Order No.	DU 1
9030026	1 set

**TECEbox brick-wall protection system for flush-mounted installation**

Larger bare-wall protection system for brick-wall construction to prepare the installation of the installation frame for toilet flush plates. Suitable for use with all TECEbox toilet modules.

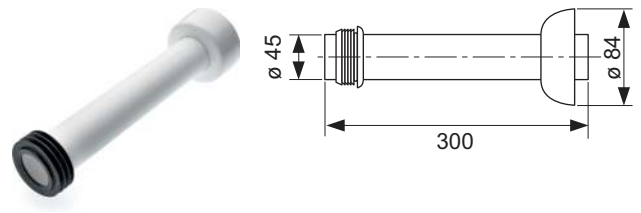
Wall thickness at least 30 mm!

Order No.	DU 1
9030029	1 pc.

**TECEbox connection set for floor-standing toilet with Euro-rosette**

Connection set for floor-standing toilet, in white, with flush pipe seal and Euro-rosette.

Order No.	DU 1
9221011	1 pc.

**TECE repair set for cistern made of PP**

To eliminate damage (e.g. from drilling) up to a diameter of approx. 12 mm.

Consisting of:

- Five plastic disks
- Sandpaper
- Hot glue gun
- Two glue sticks
- Cleaner (125 ml)
- Two cloths

Order No.	DU 1
9221013	1 pc.

**TECEprofil extended toilet connection set 30 cm, DN 90**

PE connection set for wall-mounted toilets.

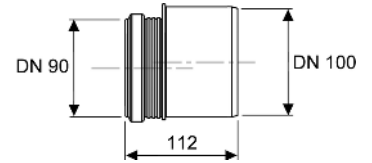
Order No.	DU 1
9820214	1 pc.



TECEbox – Accessories

TECEprofil 90° toilet connector, DN 90/100

Toilet connector to connect toilet modules horizontally to a DN 100 drain pipe.



Version	Order No.	DU 1	DU 2
PP	9820136	1 pc.	10 pc.
PVC	9820137	1 pc.	10 pc.
PE-HD	9820316	1 pc.	10 pc.

TECE flush pipe for connection of squat toilet

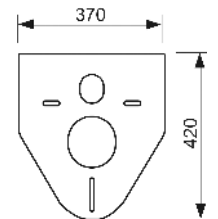
Flush pipe including flush pipe elbow and flush pipe connector, colour white.



Order No.	DU 1	DU 2
9820324	1 pc.	10 pc.

TECEprofil sound-insulation kit for toilet and bidet

For sound insulation between the toilet or bidet ceramics and tile layer.



Order No.	DU 1	DU 2	DU 3
9200010	1 pc.	10 pc.	60 pc.

TECEprofil inlet fittings for urinal

Set consisting of:

- 1/2" connection piece
- Urinal connector



Order No.	DU 1
9820055	1 pc.

TECE corner valve key

For assembly/disconnection of corner valve in TECE cistern, with holder for 1/2" or 1/4" ratchet.



Order No.	DU 1
9820264	1 pc.

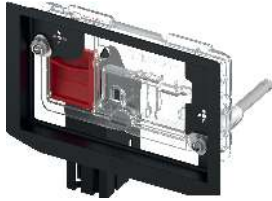
TECE insert chute for cleaning tablets

For inserting toilet cleaning tablets into TECE standard cistern (installation depth 13 cm). In combination with all TECE flush plates or TECElux glass facing with actuation unit, for front installation. Suitable for flush-mounted installation. All TECE flush plates can be retrofitted.

In brick-wall construction, to be used as of 16 mm wall thickness.
Maximum brick-wall construction thickness: 60 mm dry-wall construction, 75 mm brick-wall construction.

Caution:

The cleaning tablets used must not contain chlorine or any other oxidizing substances.



Order No.	DU 1
9240950*	1 pc.

TECE drain valve A 2

For TECE standard cisterns (installation depth 13 cm), including valve seat, throttle set and actuation.

Order No.	DU 1
9820223	1 pc.



TECE filling valve F 10 universal

Universal filling valve for installation in all TECE cisterns as well as almost all standard flush-mounted and wall-mounted cisterns from other manufacturers.

Product details:

- 3/8" metal connection thread
- Flow pressure 0.5- 10 bar
- Minimum flow pressure 0.5 bar
- Adjustable fill height
- Adjustable outflow pipe
- Low-noise in accordance with group I (DIN 4109)
- Compact design
- Incl. adapter and attachment nut



Order No.	DU 1	DU 2	DU 3
9820353	1 pc.	10 pc.	240 pc.

TECE throttle set for flushing cisterns with an installation depth of 13 cm

To adapt the flushing pressure of the standard cisterns (installation depth 13 cm). Installation in valve seat of drain valve, diameter 46-28 mm.

Order No.	DU 1
9820337*	1 pc.



* Not in combination with Octa cistern, 8 cm

TECEbox – Accessories

TECE throttle set for flushing cistern with an installation depth to 8.5 cm

Throttle set to adjust the flushing pressure of the TECE standard cisterns with low installation depth (up to 8.5 cm). Installs in valve seat of drain valve, diameter 32-28 mm.



Order No.

9820394

DU 1

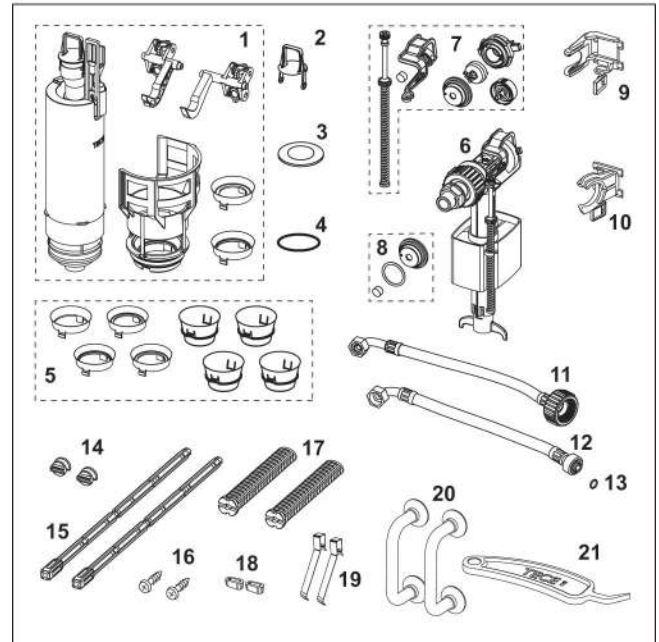
1 pc.

TECEprofil spare parts case for Uni cistern

Plastic assortment case with spare parts for the Uni cistern.



Pos.	Order No.	Designation	Quantity
1	9820223	Drain valve A 2	1
2	9820222	Draw eyelet	2
3	9820233	Gasket (drain valve)	5
4	9820005	O-ring (valve seat)	10
5	9820337*	Throttle set for cisterns with an installation depth of 13 cm	1
6	9820353	Filling valve F 10 universal	1
7	9820382	Filling valve F 10 valve lever set	3
8	9820383	Filling valve F 10 sealing kit	3
9	9820372	Filling valve holder for Uni cistern (17 mm, 3/8", up to 2019)	2
10	9820373	Filling valve holder for Uni cistern (27 mm, M 30, from 2020)	2
11	9820374	Reinforced hose M 30 (from 2020)	1
12	9820026	Reinforced hose 3/8" (until 2019)	1
13	9820025	O-ring	10
14	9820018	Clamping screws	5
15	9820022	Actuation rods	5
16	9820263	Fastening screws	10
17	9820019	Attaching rods	4
18	9820024	Rubber buffer, set of two	10
19	9820020	Push-button springs, set of two	10
20	9820180	Bow-type handles	1
21	9820390	Dismounting and programming key	1

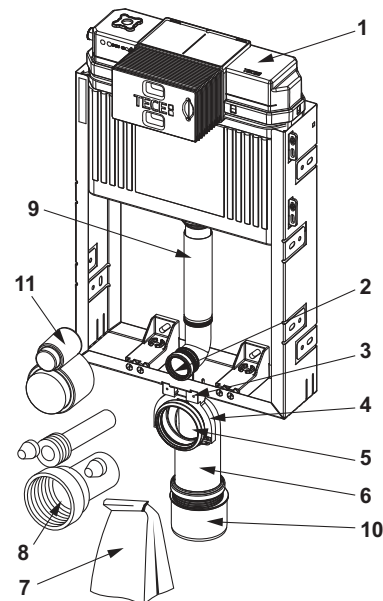


Order No.	DU 1
9820000	1 pc.

TECEbox – Spare parts

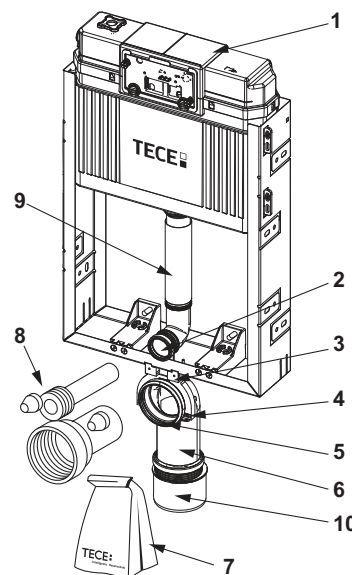
9370300 – TECEbox toilet module with Uni cistern, installation height 1060 mm

Pos.	Order No.	Designation	DU 1
1	9820103	Uni cistern 1120 mm	1 pc.
2	9820015	Flush pipe seal	1 pc.
3	9820048	Toilet drain bend holder	1 pc.
4	9820049	Bracket toilet drain bend holder	1 pc.
5	9820139	Seal for toilet drain bend/adaptor	1 pc.
6	9820135	Toilet drain bend DN 90 (PP)	1 pc.
7	9820051	By-pack for brick-wall-mounted cistern (mounting material, etc.)	1 pc.
8	9820057	Connection set DN 90 for toilet	1 pc.
9	9820011	Flush pipe with O-ring, length 269 mm, dry-wall construction	1 pc.
10	9820136	Adapter DN 90/DN 100 (PP)	1 pc.
11	9820312	Bare wall toilet plug for flush pipe and drain bend	NEW 1 pc.



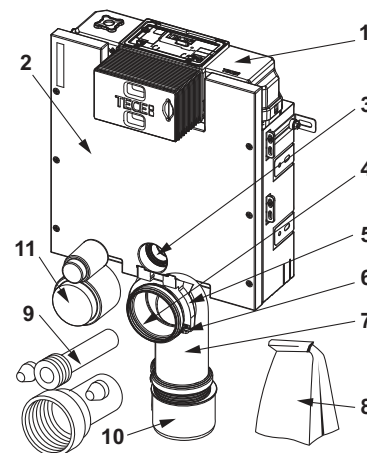
9370000 – TECEbox toilet module with Uni cistern, installation height 1060 mm

Pos.	Order No.	Designation	DU 1
1	9820103	Uni cistern 1120 mm	1 pc.
2	9820015	Flush pipe seal	1 pc.
3	9820048	Toilet drain bend holder	1 pc.
4	9820049	Bracket toilet drain bend holder	1 pc.
5	9820139	Seal for toilet drain bend/adaptor	1 pc.
6	9820135	Toilet drain bend DN 90 (PP)	1 pc.
7	9820051	By-pack for brick-wall-mounted cistern (mounting material, etc.)	1 pc.
8	9820057	Connection set DN 90 for toilet	1 pc.
9	9820011	Flush pipe with O-ring, length 269 mm, dry-wall construction	1 pc.
10	9820136	Adapter DN 90/DN 100 (PP)	1 pc.



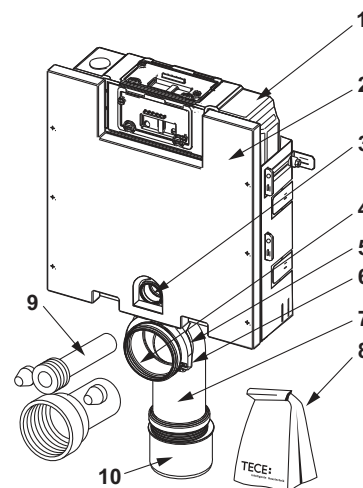
9375300 – TECEbox toilet module with Uni cistern and tile base front, installation height 820 mm

Pos.	Order No.	Designation	DU 1
1	9820100	Uni cistern 820 mm	1 pc.
2	9820050	Structural board with screws	1 pc.
3	9820015	Flush pipe seal	1 pc.
4	9820139	Seal for toilet drain bend/adaptor	1 pc.
5	9820048	Toilet drain bend holder	1 pc.
6	9820049	Bracket toilet drain bend holder	1 pc.
7	9820135	Toilet drain bend DN 90 (PP)	1 pc.
8	9820043	By-pack for toilet module (mounting material, etc.)	1 pc.
9	9820057	Connection set DN 90 for toilet	1 pc.
10	9820136	Adapter DN 90/DN 100 (PP)	1 pc.
11	9820312	Bare wall toilet plug for flush pipe and drain bend	NEW 1 pc.



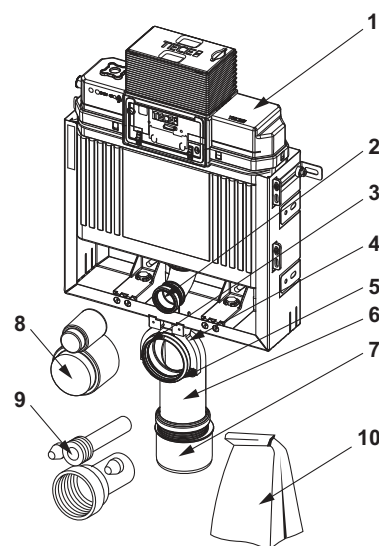
9375000 – TECEbox toilet module with Uni cistern and tile base front, installation height 820 mm

Pos.	Order No.	Designation	DU 1
1	9820100	Uni cistern 820 mm	1 pc.
2	9820050	Structural board with screws	1 pc.
3	9820015	Flush pipe seal	1 pc.
4	9820139	Seal for toilet drain bend/adaptor	1 pc.
5	9820048	Toilet drain bend holder	1 pc.
6	9820049	Bracket toilet drain bend holder	1 pc.
7	9820135	Toilet drain bend DN 90 (PP)	1 pc.
8	9820043	By-pack for toilet module (mounting material, etc.)	1 pc.
9	9820057	Connection set DN 90 for toilet	1 pc.
10	9820136	Adapter DN 90/DN 100 (PP)	1 pc.



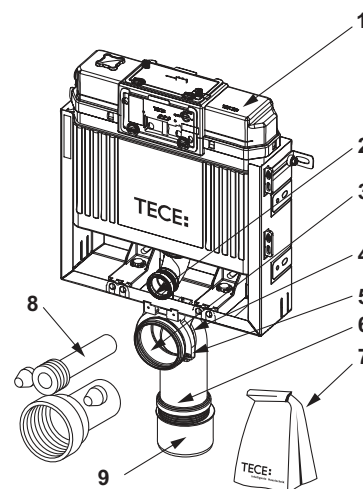
9375304 – TECEbox toilet module with Uni cistern, installation height 820 mm

Pos.	Order No.	Designation	DU 1
1	9820100	Uni cistern 820 mm	1 pc.
2	9820015	Flush pipe seal	1 pc.
3	9820139	Seal for toilet drain bend/adaptor	1 pc.
4	9820048	Toilet drain bend holder	1 pc.
5	9820049	Bracket toilet drain bend holder	1 pc.
6	9820135	Toilet drain bend DN 90 (PP)	1 pc.
7	9820136	Adapter DN 90/DN 100 (PP)	1 pc.
8	9820312	Bare wall toilet plug for flush pipe and drain bend	NEW 1 pc.
9	9820057	Connection set DN 90 for toilet	1 pc.
10	9820051	By-pack for brick-wall-mounted cistern (mounting material, etc.)	1 pc.



9375004 – TECEbox toilet module with Uni cistern, installation height 820 mm

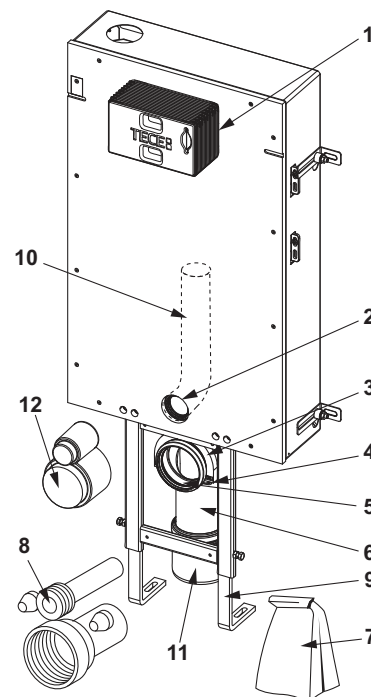
Pos.	Order No.	Designation	DU 1
1	9820100	Uni cistern 820 mm	1 pc.
2	9820015	Flush pipe seal	1 pc.
3	9820139	Seal for toilet drain bend/adaptor	1 pc.
4	9820048	Toilet drain bend holder	1 pc.
5	9820049	Bracket toilet drain bend holder	1 pc.
6	9820135	Toilet drain bend DN 90 (PP)	1 pc.
7	9820043	By-pack for toilet module (mounting material, etc.)	1 pc.
8	9820057	Connection set DN 90 for toilet	1 pc.
9	9820136	Adapter DN 90/DN 100 (PP)	1 pc.



TECEbox – Spare parts

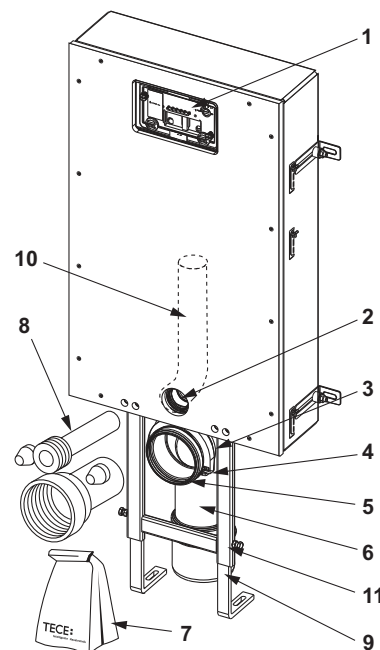
9371300 – TECEbox toilet module with Uni cistern, with tileable front facing, installation height 1110 mm

Pos.	Order No.	Designation	DU 1
1	9820103	Uni cistern 1120 mm	1 pc.
2	9820015	Flush pipe seal	1 pc.
3	9820048	Toilet drain bend holder	1 pc.
4	9820049	Bracket toilet drain bend holder	1 pc.
5	9820139	Seal for toilet drain bend/adaptor	1 pc.
6	9820135	Toilet drain bend DN 90 (PP)	1 pc.
7	9820051	By-pack for brick-wall-mounted cistern (mounting material, etc.)	1 pc.
8	9820057	Connection set DN 90 for toilet	1 pc.
9	9820073	Bases	1 pc.
10	9820011	Flush pipe with O-ring, length 269 mm, dry-wall construction	1 pc.
11	9820136	Adapter DN 90/DN 100 (PP)	1 pc.
12	9820312	Bare wall toilet plug for flush pipe and drain bend	NEW 1 pc.



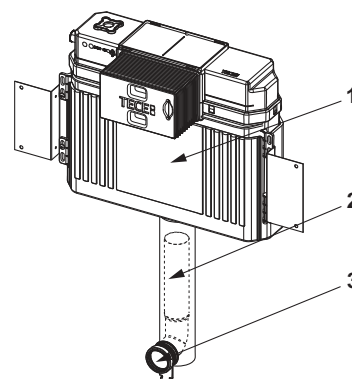
9371000 – TECEbox toilet module with Uni cistern, with tileable front facing, installation height 1110 mm

Pos.	Order No.	Designation	DU 1
1	9820103	Uni cistern 1120 mm	1 pc.
2	9820015	Flush pipe seal	1 pc.
3	9820048	Toilet drain bend holder	1 pc.
4	9820049	Bracket toilet drain bend holder	1 pc.
5	9820139	Seal for toilet drain bend/adaptor	1 pc.
6	9820135	Toilet drain bend DN 90 (PP)	1 pc.
7	9820051	By-pack for brick-wall-mounted cistern (mounting material, etc.)	1 pc.
8	9820057	Connection set DN 90 for toilet	1 pc.
9	9820073	Bases	1 pc.
10	9820011	Flush pipe with O-ring, length 269 mm, dry-wall construction	1 pc.
11	9820136	Adapter DN 90/DN 100 (PP)	1 pc.



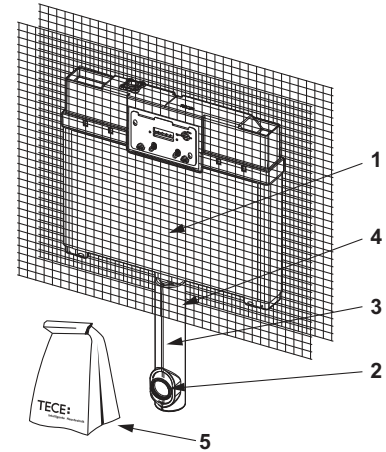
9041308 – TECE Uni cistern including mounting plate, installation height 1060 mm

Pos.	Order No.	Designation	DU 1
1	9820103	Uni cistern 1120 mm	1 pc.
2	9820011	Flush pipe with O-ring, length 269 mm, dry-wall construction	1 pc.
3	9820015	Flush pipe seal	1 pc.



9370007 – TECEbox Octa cistern, 8 cm, for floor-standing toilet, with reinforcement fabric, installation height 1110 mm

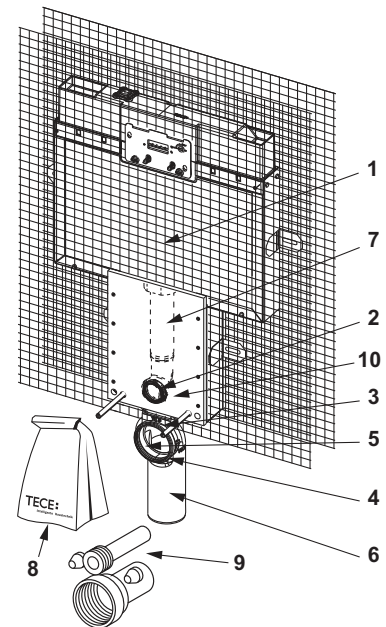
Pos.	Order No.	Designation	DU 1
1	9820250	Octa cistern, 8 cm	1 pc.
2	9820015	Flush pipe seal	1 pc.
3	9820331	Extra long flush pipe, length 369 mm	1 pc.
	9820192	Flush pipe with O-ring, brick-wall construction	1 pc.
4	9820143	Flush pipe polystyrene protection for Octa cistern, 8 cm	1 pc.
5	9820144	By-pack for Octa cistern, 8 cm (mounting material, etc.)	1 pc.



9370008 – TECEbox toilet module with Octa cistern, 8 cm, for wall toilet, installation height 1110 mm

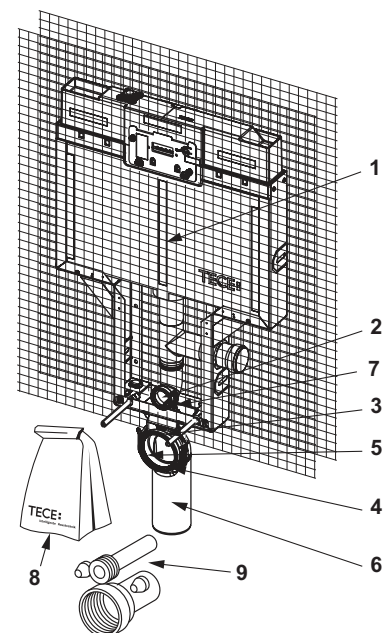
9370009 – TECEbox toilet module with Octa cistern, 8 cm, for wall toilet, sound-insulated, installation height 1110 mm

Pos.	Order No.	Designation	DU 1
1	9820250	Octa cistern, 8 cm	1 pc.
2	9820015	Flush pipe seal	1 pc.
3	9820256	Drain bend holder for Octa cistern, 8 cm	1 pc.
4	9820049	Bracket toilet drain bend holder	1 pc.
5	9820139	Seal for toilet drain bend/adaptor	1 pc.
6	9820150	Toilet drain bend DN 90/90 PE-HD, for cisterns 8 cm	1 pc.
7	9820192	Flush pipe with O-ring, brick-wall construction	1 pc.
8	9820146	By-pack for Octa cistern, 8 cm (mounting material, etc.)	1 pc.
9	9820057	Connection set DN 90 for toilet	1 pc.
10	9820255	Flush pipe holder for Octa cistern, 8 cm	1 pc.



9370041 – TECEbox toilet module with Octa cistern, 8 cm, with connection for odour extraction, installation height 1110 mm

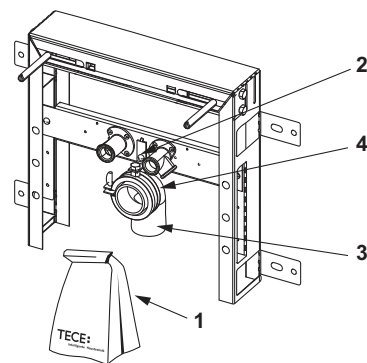
Pos.	Order No.	Designation	DU 1
1	9820250	Octa cistern, 8 cm	1 pc.
2	9820015	Flush pipe seal	1 pc.
3	9820256	Drain bend holder for Octa cistern, 8 cm	1 pc.
4	9820049	Bracket toilet drain bend holder	1 pc.
5	9820139	Seal for toilet drain bend/adaptor	1 pc.
6	9820150	Toilet drain bend DN 90/90 PE-HD, for cisterns 8 cm	1 pc.
7	9820255	Flush pipe holder for Octa cistern, 8 cm	1 pc.
8	9820146	By-pack for Octa cistern, 8 cm (mounting material, etc.)	1 pc.
9	9820057	Connection set DN 90 for toilet	1 pc.



TECEbox – Spare parts

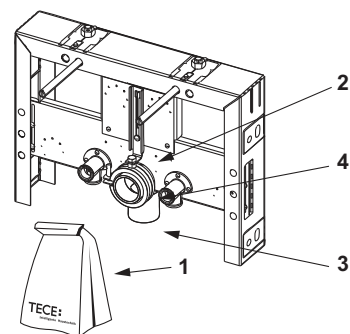
9370032 – TECEbox washstand module, installation depth 8 cm

Pos.	Order No.	Designation	DU 1
1	9820153	By-pack for washstand brick-wall module, depth 8 cm (mounting material, etc.)	1 pc.
2	9820149	Clamp for drain bend holder, 50 mm, bidet 8 cm	1 pc.
3	9820151	PE-HD drain bend holder for washstand and bidet module, depth 8 cm	1 pc.
4	9820152	Rubber collar for 50 mm drain bend holder	1 pc.



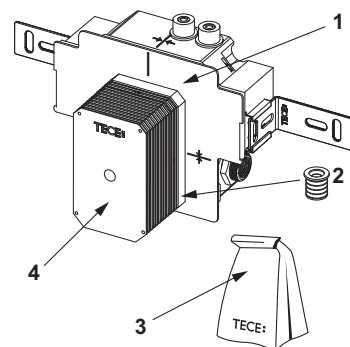
9370031 – TECEbox bidet module, installation depth 8 cm

Pos.	Order No.	Designation	DU 1
1	9820148	By-pack for bidet brick-wall module, depth 8 cm (mounting material, etc.)	1 pc.
2	9820149	Clamp for drain bend holder, 50 mm, bidet 8 cm	1 pc.
3	9820151	PE-HD drain bend holder for washstand and bidet module, depth 8 cm	1 pc.
4	9820152	Rubber collar for 50 mm drain bend holder	1 pc.



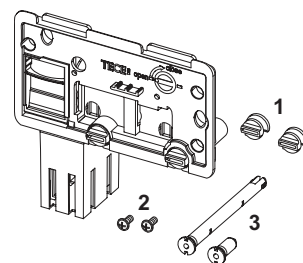
TECEbox urinal flush valve housing U 2

Pos.	Order No.	Designation	DU 1
1	9820553	Transformer 230 V/12 V	1 pc.
2	9820424	Seal water outlet	1 pc.
3	9820440	By-pack for urinal flush valve U 2	1 pc.
4	9820470	Bare-wall protection urinal flush valve housing U 2	1 pc.



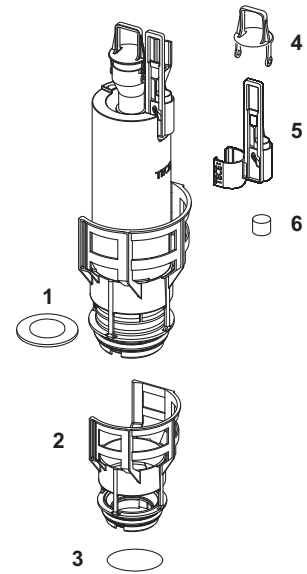
9240950 – TECE insert chute for cleaning tablets

Pos.	Order No.	Designation	DU 1
1	9820191	Clamping screws set	1 pc.
2	9820263	Fastening screws	1 pc.
3	9820349	Guide rods for insert chute	1 pc.



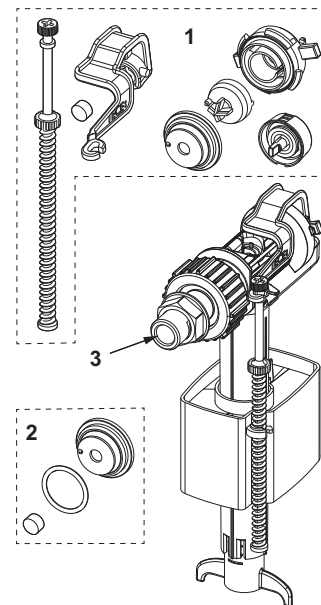
9820223 – TECE drain valve A 2

Pos.	Order No.	Designation	DU 1
1	9820233	Gasket (drain valve)	1 pc.
2	9820231	Valve seat with standard throttle (ø 42 mm)	1 pc.
3	9820005	O-ring (valve seat)	1 pc.
4	9820222	Draw eyelet	1 pc.
5	9820229	Pull rod for electrical actuation	1 pc.
6	9820420	Additional weight small pull rod	1 pc.



9820353 – TECE filling valve F 10 universal

Pos.	Order No.	Designation	DU 1
1	9820382	Filling valve F 10 valve lever set	1 pc.
2	9820383	Filling valve F 10 sealing kit	1 pc.
3	9820398	Filling valve F 10 threaded connection 3/8"	1 pc.

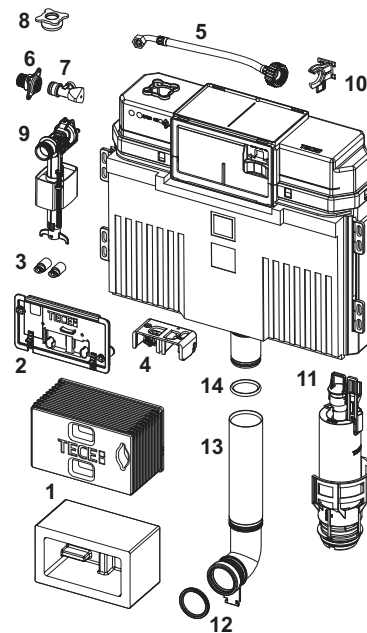


TECEbox – Spare parts

9820103 – TECE Uni cistern 1120 mm

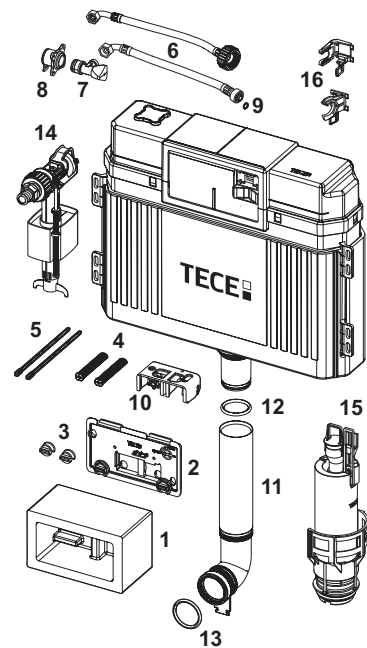
Valid from: April 2021

Pos.	Order No.	Designation	DU	1
1	9820499	Installation tunnel incl. polystyrene block	NEW	1 pc.
	9820027	Bare-wall protection system		1 pc.
2	9820017	Splash guard, complete		1 pc.
3	9820496	“Easy fit” attachment	NEW	1 pc.
4	9820016	Actuation block		1 pc.
5	9820374	Reinforced hose M 30 (from 2020)		1 pc.
6	9820012	Cistern connection		1 pc.
7	9820013	Corner valve		1 pc.
8	9820495	Closure plug Uni cistern	NEW	1 pc.
9	9820353	Filling valve F 10 universal		1 pc.
10	9820373	Filling valve holder for Uni cistern (27 mm, M 30, from 2020)		1 pc.
11	9820223	Drain valve A 2		1 pc.
12	9820015	Flush pipe seal		1 pc.
13	9820011	Flush pipe with O-ring, length 269 mm, dry-wall construction		1 pc.
	9820331	Extra long flush pipe, length 369 mm		1 pc.
14	9820014	O-ring		1 pc.



Valid till: March 2021

Pos.	Order No.	Designation	DU	1
1	9820027	Bare-wall protection system		1 pc.
2	9820017	Splash guard, complete		1 pc.
3	9820018	Clamping screws		1 pc.
4	9820019	Attaching rods		1 pc.
5	9820022	Actuation rods		1 pc.
6	9820026	Reinforced hose 3/8" (until 2019)		1 pc.
	9820374	Reinforced hose M 30 (from 2020)		1 pc.
7	9820013	Corner valve		1 pc.
8	9820012	Cistern connection		1 pc.
9	9820025	O-ring		1 pc.
10	9820016	Actuation block		1 pc.
11	9820011	Flush pipe with O-ring, length 269 mm, dry-wall construction		1 pc.
	9820331	Extra long flush pipe, length 369 mm		1 pc.
12	9820014	O-ring		1 pc.
13	9820015	Flush pipe seal		1 pc.
14	9820353	Filling valve F 10 universal		1 pc.
15	9820223	Drain valve A 2		1 pc.
16	9820372	Filling valve holder for Uni cistern (17 mm, 3/8", up to 2019)		1 pc.
	9820373	Filling valve holder for Uni cistern (27 mm, M 30, from 2020)		1 pc.



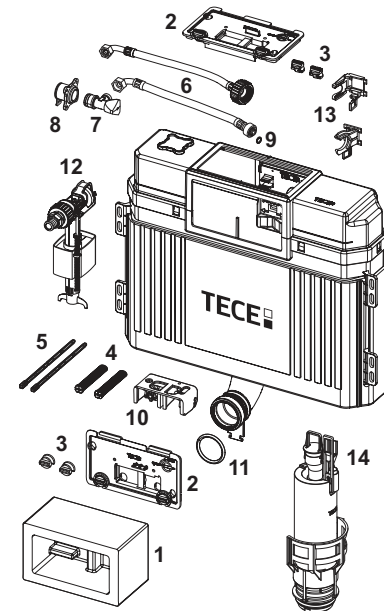
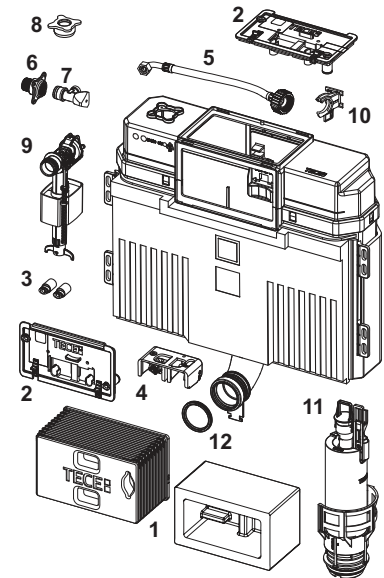
9820100 – TECE Uni cistern 820 mm

Valid from: April 2021

Pos.	Order No.	Designation	DU	1
1	9820499	Installation tunnel incl. polystyrene block	NEW	1 pc.
	9820027	Bare-wall protection system		1 pc.
2	9820017	Splash guard, complete		1 pc.
3	9820496	“Easy fit” attachment	NEW	1 pc.
4	9820016	Actuation block		1 pc.
5	9820374	Reinforced hose M 30 (from 2020)		1 pc.
6	9820012	Cistern connection		1 pc.
7	9820013	Corner valve		1 pc.
8	9820495	Closure plug Uni cistern	NEW	1 pc.
9	9820353	Filling valve F 10 universal		1 pc.
10	9820373	Filling valve holder for Uni cistern (27 mm, M 30, from 2020)		1 pc.
11	9820223	Drain valve A 2		1 pc.
12	9820015	Flush pipe seal		1 pc.

Valid till: March 2021

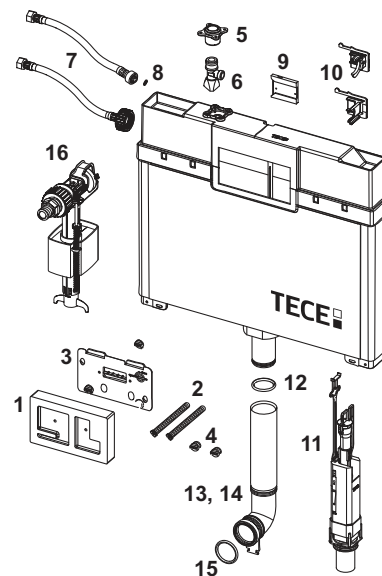
Pos.	Order No.	Designation	DU	1
1	9820027	Bare-wall protection system		1 pc.
2	9820017	Splash guard, complete		1 pc.
3	9820018	Clamping screws		1 pc.
4	9820019	Attaching rods		1 pc.
5	9820022	Actuation rods		1 pc.
6	9820026	Reinforced hose 3/8" (until 2019)		1 pc.
	9820374	Reinforced hose M 30 (from 2020)		1 pc.
7	9820013	Corner valve		1 pc.
8	9820012	Cistern connection		1 pc.
9	9820025	O-ring		1 pc.
10	9820016	Actuation block		1 pc.
11	9820015	Flush pipe seal		1 pc.
12	9820353	Filling valve F 10 universal		1 pc.
13	9820372	Filling valve holder for Uni cistern (17 mm, 3/8", up to 2019)		1 pc.
	9820373	Filling valve holder for Uni cistern (27 mm, M 30, from 2020)		1 pc.
14	9820223	Drain valve A 2		1 pc.



TECEbox – Spare parts

9820250 – TECE Octa cistern, 8 cm

Pos.	Order No.	Designation	DU 1
1	9820188	Bare-wall protection system, short	1 pc.
2	9820189	Attaching rod set, short	1 pc.
3	9820194	Splash guard, complete	1 pc.
4	9820191	Clamping screws set	1 pc.
5	9820012	Cistern connection	1 pc.
6	9820013	Corner valve	1 pc.
7	9820217	Reinforced hose complete for Octa cistern, 8 cm	1 pc.
	9820376	Reinforced hose M 30	1 pc.
8	9820221	Reinforced hose O-ring	1 pc.
9	9820216	Retainer for filling valve holder	1 pc.
10	9820375	Filling valve holder for Octa cistern (27 mm, M 30)	1 pc.
	9820215	Filling valve holder for Octa cistern (17 mm, 3/8")	1 pc.
11	9820224	Drain valve A 3 for Octa cistern, 8 cm	1 pc.
12	9820014	O-ring	1 pc.
13	9820192	Flush pipe with O-ring, brick-wall construction	1 pc.
14	9820011	Flush pipe with O-ring, length 269 mm, dry-wall construction	1 pc.
15	9820015	Flush pipe seal	1 pc.
16	9820353	Filling valve F 10 universal	1 pc.



TECEprofil flush valve cartridge U 1

Flush valve cartridge for flush valve housing U 1.

Order No.	DU 1
9820031	1 pc.



TECEprofil seal for flush pipe connection

Order No.	DU 1
9820213	1 pc.



TECEprofil flush pipe connection 20 cm

PP flush pipe connection for wall-mounted toilets.

Order No.	DU 1
9820246	1 pc.



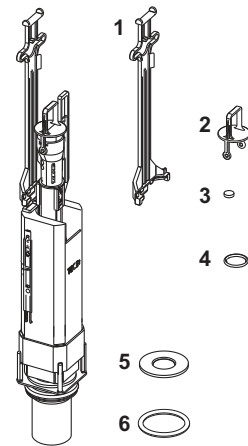
TECE drain valve A3 for Octa cistern, 8 cm

Order No.	DU 1
9820224	1 pc.



9820224 – TECE drain valve A3 for Octa cistern, 8 cm

Pos.	Order No.	Designation	DU 1
1	9820163	Hold-down device (narrow drain valve)	1 pc.
2	9820222	Draw eyelet	1 pc.
3	9820275	Additional weight	1 pc.
4	9820446	O-ring joint drain valve A 3 (10 pieces)	1 pc.
5	9820161	Gasket (narrow drain valve)	1 pc.
6	9820220	O-ring on valve seat	NEW 1 pc.





Plumbing Framework

TECEprofil PRE-WALL PROFILE

ASSORTMENT LIST 2021

	Page
Basic components	236
Toilet connection units	238
Washstand connection units	240
Urinal connection units	242
Fitting connections	243
Safety arm support, mounting plates	245
Supporting frame accessories	246
Panel facing	249
Tools	251
Spare parts	252

An overview of valid Declaration of Performance (DOP) is available on our website www.tece.com.

Notes:

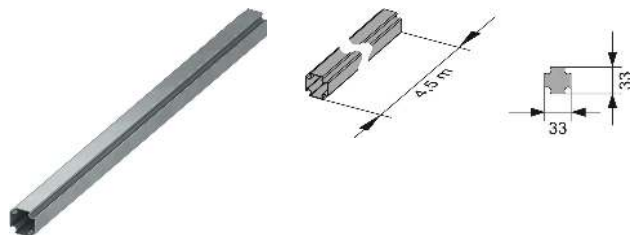
DU 1 = minimum order quantity per item; sometimes it is not possible to order smaller quantities for technical reasons
 DU 2 = Euro palette for modules

TECEprofil – Basic components

TECEprofil section tube

Section tube to create a supporting framework to hold structural TECEprofil components; made of rolled steel, welded and galvanised.

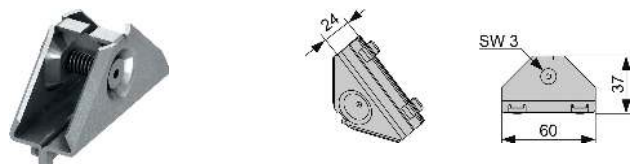
Order No.	DU 1	DU 2	DU 3
9000000	18 m	630 m	1890 m



TECEprofil corner joint

Corner joint for a solid, right-angled connection with TECEprofil section tubes; pre-assembled unit made of galvanised steel; M 5 socket head screw (SW 3) and compression spring.

Order No.	DU 1	DU 2	DU 3
9010002	30 pc.	240 pc.	5400 pc.

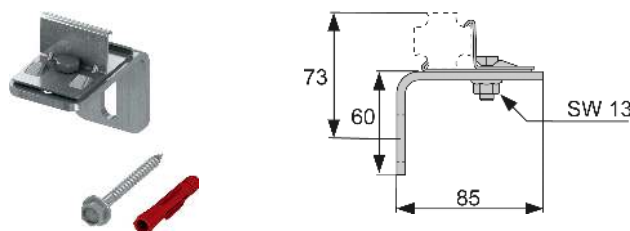


TECEprofil angle bracket

Angle bracket for attaching TECEprofil profile tubes to structure. Pre-assembled galvanised steel unit incl. mounting materials.

Optional: TECEprofil sound insulation set for angle bracket 9021019.

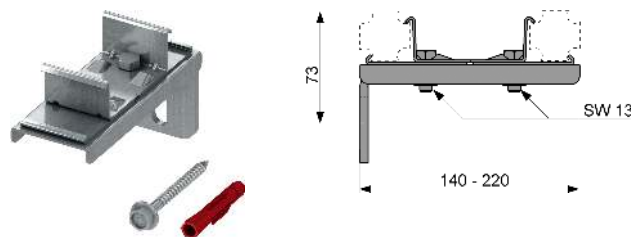
Order No.	DU 1	DU 2	DU 3
9030002	10 pc.	60 pc.	240 pc.



TECEprofil double joint

Double joint to simultaneously attach two TECEprofil section tubes to the structure. For supporting structure depths of 140-220 mm. Pre-assembled galvanised steel unit incl. mounting materials.

Optional: TECEprofil sound insulation set for angle bracket 9021019.

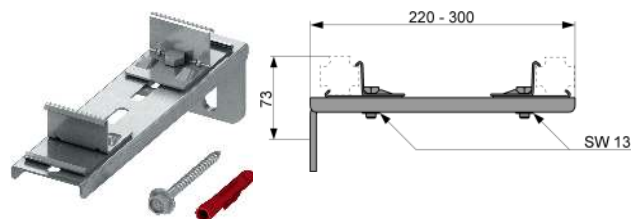


Order No.	DU 1	DU 2	DU 3
9030011	5 pc.	15 pc.	60 pc.

TECEprofil double joint, long version

Double joint to simultaneously attach two TECEprofil section tubes to the structural body. For duct and supporting frame depths of 220-300 mm. Pre-assembled galvanised steel unit incl. mounting materials.

Optional: TECEprofil sound insulation set for angle bracket 9021019.



Order No.	DU 1	DU 2
9030013	2 pc.	10 pc.

TECEprofil sound-insulation set for angle brackets

Sound insulation kit for sound insulation of angle brackets at structural body.



Order No.	DU 1	DU 2	DU 3
9021019	50 pc.	200 pc.	400 pc.

TECEprofil – Toilet connection units

TECEprofil toilet connection unit with Uni cistern

NEW

Toilet connection unit including “easy fit” flush plate installation. For installation in a TECEprofil supporting frame.

Uni cistern for front actuation:

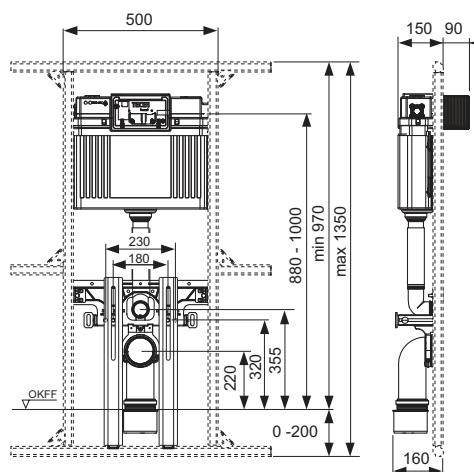
- Safety tank made of impact-resistant plastic, tested to EN 14055
- Cistern fully pre-assembled and sealed.
- Cistern connection with outer thread R 1/2" at the side, compatible with quick adapters
- 10 litre tank volume; 6 litre pre-set standard flush volume, 4.5/7.5/9-litre flush volume can be set at any time; 3-litre partial flush volume for dual-flush system; remaining volume can be used for immediate cleaning flush.
- insulated against condensation water
- for TECE flush plates and toilet flush handle
- can be used as a single or dual-flush cistern
- “easy fit” flush plate installation
- Installation tunnel for service opening, can be shortened without tools
- Low-noise hydraulic filling valve, fitting group 1 according to DIN 4109

Connection unit:

- 180 or 230 mm crossbeams for toilet mounting
- Two M 12 retaining bolts and nuts
- Two adjustable floor supports for floor projections of 0-200 mm
- Toilet drain bend DN 90 with joint adapter DN 90/100, made of PP
- Joint adapter also suitable for horizontal installation
- DN 90 toilet connection set including protective plug

Please order separately:

- Toilet flush plate (see flush plates)
- Insert chute for cleaning tablets (optional)



Order No.		DU 1	DU 2	DU 3
9041306	NEW	1 pc.	10 pc.	60 pc.

TECEprofil toilet connection unit with Uni cistern

Toilet connection unit with Uni cistern.

Consisting of:

Uni cistern for front actuation:

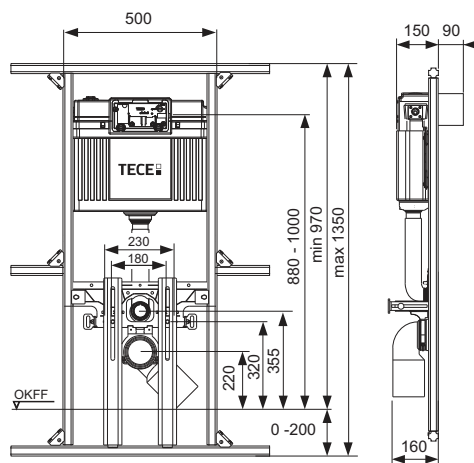
- Safety tank made of impact-resistant plastic Cistern
- Cistern fully pre-assembled and sealed
- Cistern connection with 1/2" inner thread
- 10-litre tank volume; 6-litre preset standard flush volume; 4.5/7.5/9-litre flush volume can be optimally set at any time; 3-litre partial flush volume for dual-flush system. Remaining volume can be used for immediate cleaning flush.
- Insulated against condensation water
- For TECE flush plates and toilet flush handle
- Can be set as a single or dual-flush cistern depending on the flush plate used
- Certified in accordance with EN 14055
- Fitting group 1 in accordance with DIN 4109
- Low-noise hydraulic filling valve

Unit consisting of:

- 180 or 230 mm crossbeams for attaching the toilet
- Two M 12 retaining bolts and nuts
- Two adjustable supports for floor projections of 0-200 mm
- Toilet drain bend DN 90 incl. joint adapter DN 90/100 made of PP
- Joint adapter also suitable for horizontal installation
- Toilet connection set DN 90, including protective plugs

Please order separately:

- Toilet flush plate (see flush plates)
- Insert chute for cleaning tablets



Order No.		DU 1	DU 2	DU 3
9041006	SALE	1 pc.	10 pc.	60 pc.

Follow-up item see 9041306
with new scope of service and supply.

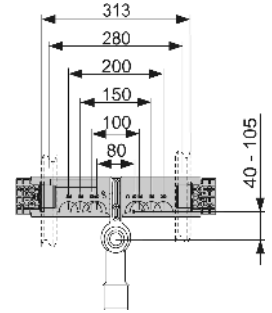
TECEprofil – Washstand connection units

TECEprofil connection unit for washstand

Sound-insulated galvanised steel crossbeam for assembly of wall disks by the customer, with pre-assembled connection bend DN 40/50, rubber collar, nominal diameter 30/50, protective plug, mounting material for attaching to TECEprofil section tubes, 2 x M 10 fixing brackets and washstand attachments.

Please order separately:

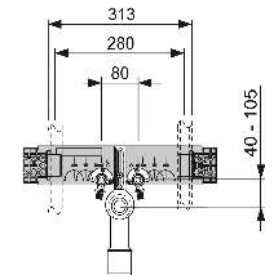
- Wall disks TECEflex 16 x 1/2", TECE 1/2" x 1/2", TECElogo 16 x 1/2" or TECElogo 20 universal connection x 1/2"



Order No.	DU 1	DU 2
9020033	1 pc.	10 pc.

TECEprofil connection unit for washstand incl. TECEflex or TECElogo wall disks

Sound-insulated galvanised steel crossbeam, pre-assembled wall disks with pre-set 80 mm bore hole, pre-assembled connection bend DN 40/50, with rubber collar nominal diameter 30/50, (also acts as seal), incl. protective plug, mounting material for attaching to TECEprofil section tubes, 2 x M 10 fixing brackets and washstand attachments.



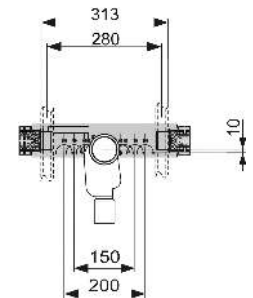
Version	Order No.	DU 1	DU 2
TECEflex 16 x 1/2" red brass/silicon bronze	9020049	1 pc.	10 pc.
TECElogo 20 x 1/2" red brass/silicon bronze	9020050	1 pc.	10 pc.

TECEprofil connection unit for washstand with concealed odour trap

Sound-insulated galvanised steel crossbeam, for assembly of wall disks on site, with pre-assembled DN 50 concealed odour trap, NW 30, removable U-bend insert (also serves as seal), incl. protective plug, fixing material for attaching to TECEprofil section tubes, 2 x M 10 fixing brackets and washstand attachments.

Please order separately:

- Wall disks TECEflex 16 x 1/2", TECE 1/2" x 1/2", TECElogo 16 x 1/2" or TECElogo 20 universal connection x 1/2"
- Connection bend for concealed odour trap 9080001



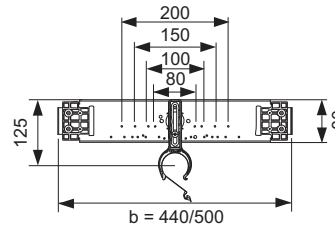
Order No.	DU 1	DU 2
9020034	1 pc.	10 pc.

TECEprofil connection unit for washstand

Sound-insulated galvanised steel crossbeam, for assembly of wall disks on site, incl. pre-assembled drain retainer, for installation in C-profile walls.

Please order separately:

- Wall disks TECEflex 16 x 1/2", TECE 1/2" x 1/2", TECElogo 16 x 1/2" or TECElogo 20 universal connection x 1/2"
- Toilet drain bend DN 50/40
- Rubber collar ND 30/50



Version	Order No.	DU 1	DU 2
440 mm	9020048	1 pc.	10 pc.
500 mm	9020054	1 pc.	10 pc.

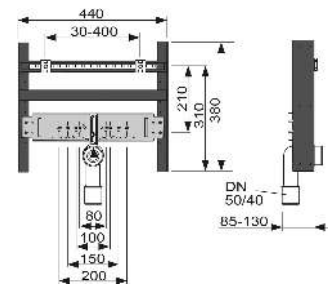
TECEprofil washstand support for the installation in metal or wooden stud walls

Pre-assembled unit, consisting of:

- Installation frame, powder coated
- Two M 10 retaining bolts, vertically and laterally adjustable distance gauge
- Mounting connection crossbeam
- Connection bend DN 40/50 with rubber collar, NW 30/50, protective plug

Please order separately:

- Wall disks TECEflex 16 x 1/2", TECE 1/2" x 1/2", TECElogo 16 x 1/2" or TECElogo 20 universal connection x 1/2"



Order No.	DU 1	DU 2
9510003	1 pc.	10 pc.

TECEprofil – Urinal connection units

TECEprofil connection unit for urinal with TECE flush valve housing U 1

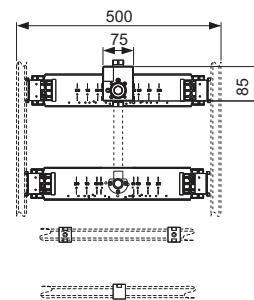
To hold manual and electronic actuation systems.

Completely pre-assembled unit, consisting of:

- Sound-insulated galvanised steel crossbeam
- TECE urinal flush valve housing with inlet flow control and bare-wall protection
- Fitting connection 1/2" x 1/2"
- 3 x M 8 fixing brackets
- Urinal fixing material
- Inlet fittings

Please order separately:

- Manual or electronic actuation



Order No.
9020038

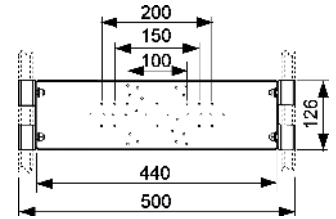
DU 1
1 pc.

TECEprofil mounting crossbeam for flush-mounted and wall-mounted fittings

Galvanised steel crossbeams to assemble flush-mounted and wall-mounted fittings; includes mounting material for TECEprofil section tubes or for installation in metal or wooden stud walls. Compatible with Hansa Varox, Hansgrohe iBox and Kludi Flex-Box, for instance.

Please order separately:

- Wall disks TECEflex 16 x 1/2", TECE 1/2" x 1/2", TECElogo 16 x 1/2" or TECElogo 20 universal connection x 1/2"



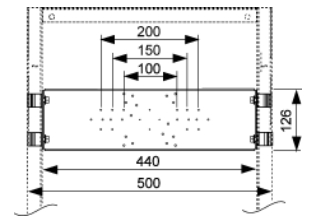
Order No.	DU 1	DU 2
9020040	1 pc.	10 pc.

TECEprofil mounting crossbeam for flush-mounted and wall-mounted fitting for subsequent installation in washstand modules

Galvanised steel crossbeam to assemble flush-mounted and wall-mounted fittings; incl. mounting material for subsequent installation in TECEprofil washstand modules or for installation in metal or wooden stud walls. Compatible with Hansa Varox, Hansgrohe iBox and Kludi Flex-Box, for instance.

Please order separately:

- Wall disks TECEflex 16 x 1/2", TECE 1/2" x 1/2", TECElogo 16 x 1/2" or TECElogo 20 universal connection x 1/2"



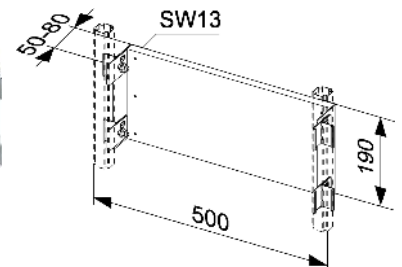
Order No.	DU 1	DU 2
9020041	1 pc.	10 pc.

TECEprofil mounting plate for flush-mounted fittings

Continuously height-adjustable assembly plate to attach flush-mounted fittings and other appointments.

Pre-assembled unit, consisting of:

- Base plate made of watertight, glued structural veneer in keeping with German standard DIN 68705
- Mounting elbow, galvanised
- Four multi-clamps



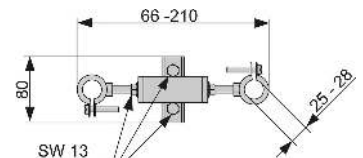
Order No.	DU 1
9150000	1 pc.

TECEprofil connection unit for stop valve and water meter

Holder to firmly retain standard commercial stop valves and water meters using pipe clips; continuously adjustable in terms of spacing, depth and height.

Pre-assembled unit, consisting of

- Two pipe clips with sound-insulating rubber
- Mounting material for fitting to TECEprofil section tube



Order No.	DU 1	DU 2
9020019	1 pc.	10 pc.

TECEprofil – Fitting connections

TECEprofil connection unit for washing machine

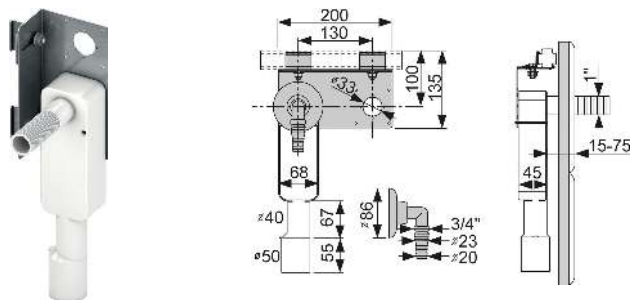
For horizontal or vertical installation in a TECEprofil supporting frame.

Consisting of:

- Galvanised steel crossbeams to attach U-bend and wall disk
- In-built U-bend for washing machine, DN 40/50
- Chromed hose connection
- Chromed rosette
- Fixing material to attach to a TECEprofil brace

Please order separately:

- Wall disks TECEflex 16 x 1/2", TECE 1/2" x 1/2", TECElogo 16 x 1/2" or TECElogo 20 universal connection x 1/2"



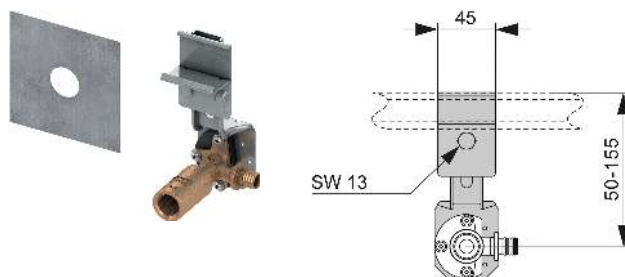
Order No.	DU 1	DU 2
9020036	1 pc.	2 pc.

TECEprofil mounting connection

To fit an individual tap connection to the TECEprofil supporting frame.

Pre-assembled unit, consisting of:

- Wall disk TECEflex 16 x 1/2", long or TECE 1/2" x 1/2", long or TECElogo 20 universal connection x 1/2"
- Sound insulation from supporting frame
- Self-adhesive seal collar to seal between panel and wall disk
- Fixing material to attach to a TECEprofil section tube
- Marking plug



Version	Order No.	DU 1	DU 2
TECE 1/2" x 1/2" red brass/silicon bronze	9020004	1 pc.	4 pc.
without wall disk	9020046	1 pc.	4 pc.
TECEflex 16 x 1/2" red brass/silicon bronze	9020051	1 pc.	4 pc.
TECElogo 20 x 1/2" red brass/silicon bronze	9020052	1 pc.	4 pc.

TECEprofil system wall disks

Long dry-wall construction disk to mount on site with washstands, bidet and fittings in the TECEprofil system.

Consisting of:

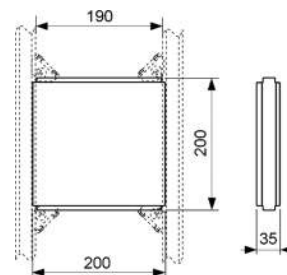
- Wall disk TECEflex 16 x 1/2", long or TECE 1/2" x 1/2", long or TECElogo 20 universal connection x 1/2"
- Self-adhesive seal collar to seal between panel and wall disk
- Mounting material
- Marking plug



Version	D	d	Length	Order No.	DU 1	DU 2
TECE 1/2" x 1/2" red brass/silicon bronze	Rp 1/2"	Rp 1/2"	82 mm	9021017	1 pc.	20 pc.
TECEflex 16 x 1/2" red brass/silicon bronze	Rp 1/2"	Dim. 16 TECEflex	82 mm	9021021	1 pc.	20 pc.
TECElogo 20 x 1/2" red brass/silicon bronze	Rp 1/2"	20 mm universal connection	87 mm	9021022	1 pc.	20 pc.

TECEprofil mounting plate for additional appointments, 200 mm x 200 mm

Mounting plate for a stable attachment of additional appointments, e.g., mirror cupboard in a TECEprofil supporting frame; made of watertight, glued structural veneer to DIN 68705.



Order No.	DU 1	DU 2
9042005	1 pc.	10 pc.

TECEprofil module for safety arm support and support systems

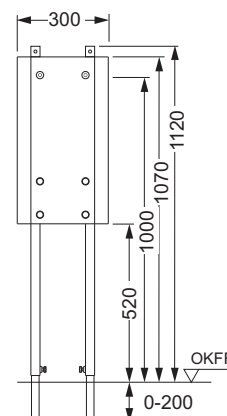
For installation in a UA profile stud walls or as pre-wall element.

Completely pre-assembled unit, consisting of:

- Self-supporting mounting frame, powder-coated
- Watertight, multi-glued wood inlay panel
- Mounting materials for fixing to a UA profile wall

Please order separately:

- Depth-adjustable module attachment for pre-wall assembly



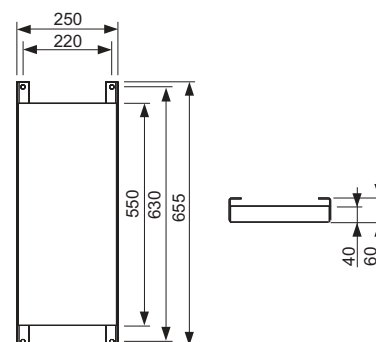
Order No.	DU 1	DU 2	DU 3
9360000	1 pc.	10 pc.	60 pc.

TECEprofil mounting plate for safety arm support and support systems

For the stable fixing of support handles and holding systems in a TECEprofil supporting structure or a UA profile stud wall.

Pre-assembled unit, consisting of:

- Attachment plate for screwing to a TECEprofil universal module, of watertight glued veneer
- Two multi-clamps for fixing to the TECEprofil supporting structure



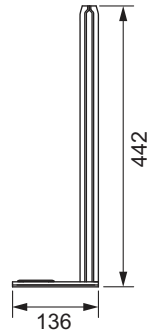
Order No.	DU 1
9042003	1 pc.

TECEprofil – Supporting frame accessories

TECEprofil register foot

Register foot for the TECEprofil supporting frame. Allows attachment of pre-assembled TECEprofil walls below the ceiling or on the floor.

Version	Order No.	DU 1
right	9820461	1 pc.
left	9820462	1 pc.



TECEprofil connector with ball joint

Universal attachment to mount components in the TECEprofil supporting frame. With the ball joint it is possible to set any angle and position.

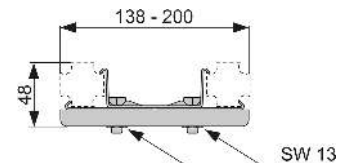
Order No.	DU 1	DU 2
9018011	2 pc.	10 pc.



TECEprofil universal connector

To join TECEprofil section tubes at any angle. Pre-assembled galvanised steel unit.

Order No.	DU 1	DU 2
9018002	6 pc.	30 pc.



TECEprofil mounting set for UA profile walls

Fixing material to attach TECEprofil modules to lateral flush-mounted profiles. Suitable for flush-mounted 50 profiles to DIN 18182 Part 1.

Consisting of:

- Four bolts with nuts
- Eight washers

Order No.	DU 1	DU 2
9380006	1 set	5 set



TECEprofil mounting set for wooden stud walls

Fixing material to attach TECEprofil modules to lateral stud structures.

Consisting of:

- Four hexagonal head wood screws
- Four washers

Order No.	DU 1	DU 2
9380005	1 set	5 set

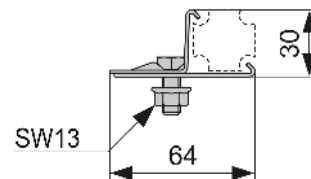


TECEprofil multi-clips

To fix non-system materials to TECEprofil section tubes.

Consisting of:

- M 8 nut and bolt
- Galvanised steel plates



Order No.	DU 1	DU 2
9010003	10 pc.	30 pc.

TECEprofil fixing bracket

To hold a threaded rod. Pre-assembled galvanised steel unit, without threaded rod.



Version	Order No.	DU 1	DU 2
M 8	9040004	10 pc.	30 pc.
M 10	9040001	10 pc.	30 pc.

TECEprofil end cap with rubber overlay for section tube

Order No.	DU 1
9820128	1 pc.



TECEprofil attaching screw 4.2 x 13 mm

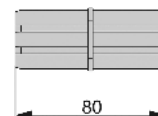
Self-tapping Phillips screw to fix non-system materials to TECEprofil section tubes and crossbeams.



Order No.	DU 1	DU 2
9018007	100 pc.	500 pc.

TECEprofil section tube connector

To create a stable axial connection between two TECEprofil section tubes.



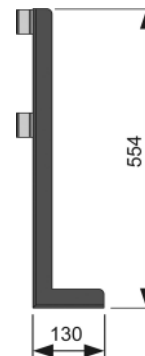
Order No.	DU 1	DU 2
9010009	5 pc.	50 pc.

TECEprofil supporting foot for free-standing walls

To brace stand-alone TECEprofil supporting frames.

Consisting of:

- Galvanised steel supporting foot
- Mounting material for fitting to shell floor
- Mounting material for attaching to TECEprofil supporting structure



Order No.	DU 1
9030017	1 pc.

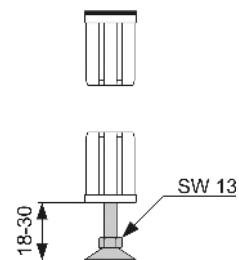
TECEprofil – Supporting frame accessories

TECEprofil plug-in foot

Levelling foot and end cap for insertion into a TECEprofil section tube.
The levelling foot is suitable for load bearing, e.g. supporting steel bathtubs.
No additional steel bathtub foot is required.

Consisting of:

- Levelling foot to adjust height of TECEprofil section tubes
- End cap with rubber overlay

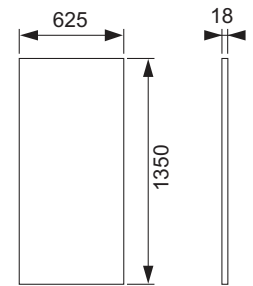


Order No.	DU 1	DU 2
9140000	4 pc.	20 pc.

TECEprofil panel plate

Moisture proof plate for panel facing TECEprofil supporting frame of TECEprofil modules. Made of impregnated plasterboard, to DIN 4102-A2, non-flammable.

Order No.	DU 1	DU 2	DU 3
9200000	30 pc.	60 pc.	120 pc.



TECEprofil knifing filler, impregnated

To fill gaps in the TECEprofil panel facing. Supplied in 5 kg bags. Filling to quality level Q1; higher quality levels must be taken into consideration in invitations to tender.

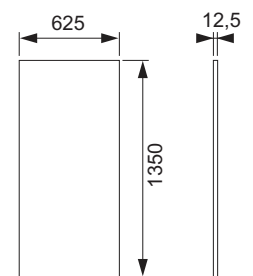
Order No.	DU 1	DU 2
9200001	5 kg	20 kg



TECEprofil panel plate, for highly wet areas

Special facing plate for TECEprofil supporting frame in highly wet areas. 12.5 mm thick cement-bound lightweight concrete panel, in accordance with EN 13501-1, non-flammable.

Order No.	DU 1	DU 2	DU 3
9200013	1 pc.	30 pc.	60 pc.



TECEprofil glue cartridge

For adhesion and grouting of butt-joined TECEprofil panel plate (9200013) for highly-wet areas.

Order No.	DU 1	DU 2
9200014	1 pc.	25 pc.



TECEprofil panel screw, self-tapping

To attach TECEprofil panels to TECEprofil section tubes; made of steel, 3.5 mm x 35 mm (drill bit PH2).



PH2

Order No.	DU 1	DU 2	DU 3
9200002	250 pc.	4500 pc.	9000 pc.

TECEprofil – Panel facing

TECEprofil fire protection plate set

Fire protection plates for standard toilet modules with TECE cisterns.
Set consisting of two non-flammable rockwool heat insulation boards A1.
Dimensions (W x H x D): 1000 x 625 x 30 mm and 711 x 440 x 20 mm.

In the event of fire protection requirements for partition walls with toilet modules, the fire protection plates must be used. Fire protection walls made of TECEprofil from F 30 to F 120 must be installed in accordance with "abP P-3226/492/11-MPA BS".



Order No.	DU 1	DU 2
9200017	1 pc.	10 pc.

TECE repair set for cistern made of PP

To eliminate damage (e.g. from drilling) up to a diameter of approx. 12 mm.

Consisting of:

- Five plastic disks
- Sandpaper
- Hot glue gun
- Two glue sticks
- Cleaner (125 ml)
- Two cloths



Order No.	DU 1
9221013	1 pc.

TECE corner valve key

For assembly/disconnection of corner valve in TECE cistern, with holder for 1/2" or 1/4" ratchet.



Order No.	DU 1
9820264	1 pc.

TECEprofil holding magnet**NEW**

Installation tool for creating a TECEprofil framework. Allows the temporary holding of two section tubes without corner joints.

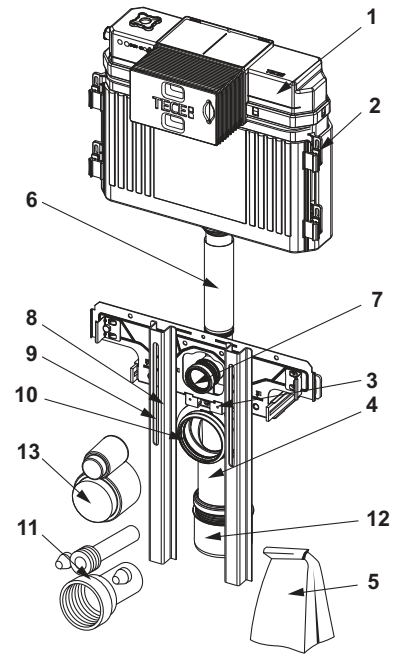


Order No.	DU 1
9018012	NEW 1 pc.

TECEprofil – Spare parts

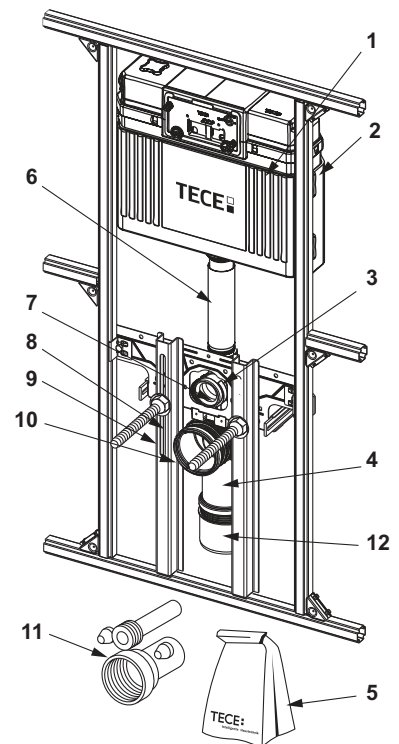
9041306 – TECEprofil toilet connection unit with Uni cistern

Pos.	Order No.	Designation	DU 1
1	9820103	Uni cistern 1120 mm	1 pc.
2	9820065	Assembly kit for cistern	1 pc.
3	9820034	Drain bend holder DN 50	1 pc.
4	9820134	Toilet drain bend DN 90 (PP)	1 pc.
5	9820066	By-pack for toilet module (mounting material, etc.)	1 pc.
6	9820011	Flush pipe with O-ring, length 269 mm, dry-wall construction	1 pc.
7	9820015	Flush pipe seal	1 pc.
8	9820335	C-section for module foot	1 pc.
9	9820037	Spacer for the installation of the toilet module feet	1 pc.
10	9820139	Seal for toilet drain bend/adaptor	1 pc.
11	9820057	Connection set DN 90 for toilet	1 pc.
12	9820136	Adapter DN 90/DN 100 (PP)	1 pc.
13	9820312	Bare wall toilet plug for flush pipe and drain bend	NEW 1 pc.



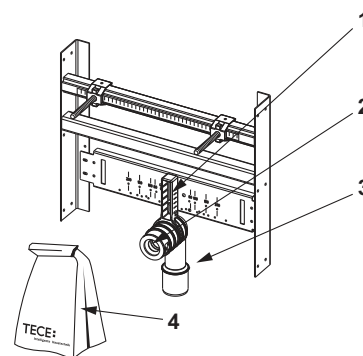
9041006 – TECEprofil toilet connection unit with Uni cistern

Pos.	Order No.	Designation	DU 1
1	9820103	Uni cistern 1120 mm	1 pc.
2	9820065	Assembly kit for cistern	1 pc.
3	9820034	Drain bend holder DN 50	1 pc.
4	9820134	Toilet drain bend DN 90 (PP)	1 pc.
5	9820066	By-pack for toilet module (mounting material, etc.)	1 pc.
6	9820011	Flush pipe with O-ring, length 269 mm, dry-wall construction	1 pc.
7	9820015	Flush pipe seal	1 pc.
8	9820335	C-section for module foot	1 pc.
9	9820037	Spacer for the installation of the toilet module feet	1 pc.
10	9820139	Seal for toilet drain bend/adaptor	1 pc.
11	9820057	Connection set DN 90 for toilet	1 pc.
12	9820136	Adapter DN 90/DN 100 (PP)	1 pc.



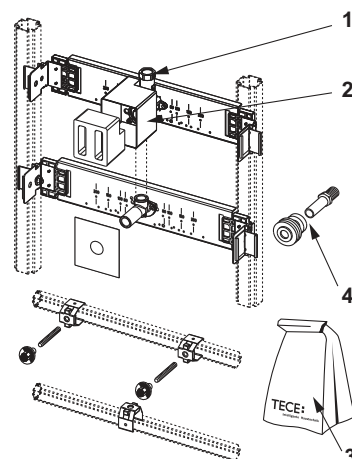
9510003 – TECEprofil washstand support for the installation in metal or wooden stud walls

Pos.	Order No.	Designation	DU 1
1	9820034	Drain bend holder DN 50	1 pc.
2	9820059	Rubber collar nominal diameter 30/50	1 pc.
3	9820035	Drain bend DN 50/DN 40	1 pc.
4	9820133	By-pack for washstand support (mounting material, etc.)	1 pc.



9020038 – TECEprofil connection unit for urinal with TECE flush valve housing U 1

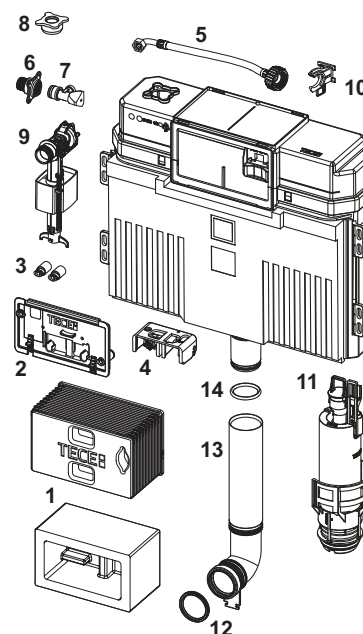
Pos.	Order No.	Designation	DU 1
1	9820074	Urinal flush valve housing U 1 with plug	1 pc.
2	9820075	Bare-wall protection, supporting body, screws flush valve housing U 1	1 pc.
3	9820076	By-pack for urinal module (mounting material, etc.)	1 pc.
4	9820055	Inlet fittings for urinal, 1/2"	1 pc.



9820103 – TECE Uni cistern 1120 mm

Valid from: April 2021

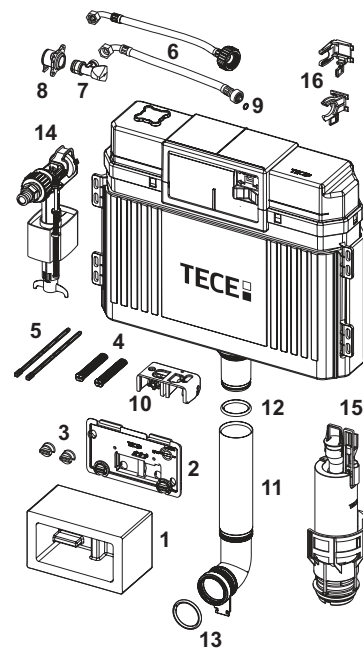
Pos.	Order No.	Designation	DU 1
1	9820499	Installation tunnel incl. polystyrene block	NEW 1 pc.
	9820027	Bare-wall protection system	1 pc.
2	9820017	Splash guard, complete	1 pc.
3	9820496	"Easy fit" attachment	NEW 1 pc.
4	9820016	Actuation block	1 pc.
5	9820374	Reinforced hose M 30 (from 2020)	1 pc.
6	9820012	Cistern connection	1 pc.
7	9820013	Corner valve	1 pc.
8	9820495	Closure plug Uni cistern	NEW 1 pc.
9	9820353	Filling valve F 10 universal	1 pc.
10	9820373	Filling valve holder for Uni cistern (27 mm, M 30, from 2020)	1 pc.
11	9820223	Drain valve A 2	1 pc.
12	9820015	Flush pipe seal	1 pc.
13	9820011	Flush pipe with O-ring, length 269 mm, dry-wall construction	1 pc.
	9820331	Extra long flush pipe, length 369 mm	1 pc.
14	9820014	O-ring	1 pc.



TECEprofil – Spare parts

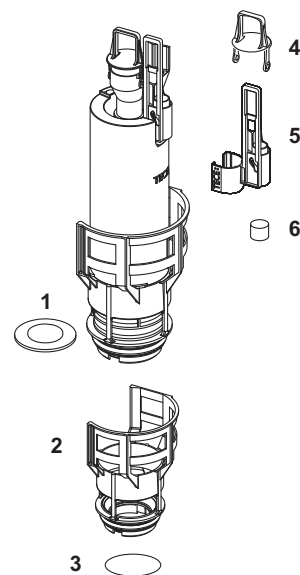
Valid till: March 2021

Pos.	Order No.	Designation	DU 1
1	9820027	Bare-wall protection system	1 pc.
2	9820017	Splash guard, complete	1 pc.
3	9820018	Clamping screws	1 pc.
4	9820019	Attaching rods	1 pc.
5	9820022	Actuation rods	1 pc.
6	9820026	Reinforced hose 3/8" (until 2019)	1 pc.
	9820374	Reinforced hose M 30 (from 2020)	1 pc.
7	9820013	Corner valve	1 pc.
8	9820012	Cistern connection	1 pc.
9	9820025	O-ring	1 pc.
10	9820016	Actuation block	1 pc.
11	9820011	Flush pipe with O-ring, length 269 mm, dry-wall construction	1 pc.
	9820331	Extra long flush pipe, length 369 mm	1 pc.
12	9820014	O-ring	1 pc.
13	9820015	Flush pipe seal	1 pc.
14	9820353	Filling valve F 10 universal	1 pc.
15	9820223	Drain valve A 2	1 pc.
16	9820372	Filling valve holder for Uni cistern (17 mm, 3/8", up to 2019)	1 pc.
	9820373	Filling valve holder for Uni cistern (27 mm, M 30, from 2020)	1 pc.



9820223 – TECE drain valve A 2

Pos.	Order No.	Designation	DU 1
1	9820233	Gasket (drain valve)	1 pc.
2	9820231	Valve seat with standard throttle (ø 42 mm)	1 pc.
3	9820005	O-ring (valve seat)	1 pc.
4	9820222	Draw eyelet	1 pc.
5	9820229	Pull rod for electrical actuation	1 pc.
6	9820420	Additional weight small pull rod	1 pc.



TECEprofil flush valve cartridge U 1

Flush valve cartridge for flush valve housing U 1.

Order No.	DU 1
9820031	1 pc.



TECEprofil mounting set for TECE modules

Order No.	DU 1
9820054	1 pc.



TECEprofil seal sleeve for wall disk

Order No.	DU 1
9820125	1 pc.



TECEprofil seal for flush pipe connection

Order No.	DU 1
9820213	1 pc.



TECEprofil flush pipe connection 20 cm

PP flush pipe connection for wall-mounted toilets.

Order No.	DU 1
9820246	1 pc.



TECEprofil toilet mounting set

Order No.	DU 1
9820245	1 pc.



TECEprofil – Spare parts

TECE filling valve F 10 universal

Universal filling valve for installation in all TECE cisterns as well as almost all standard flush-mounted and wall-mounted cisterns from other manufacturers.

Product details:

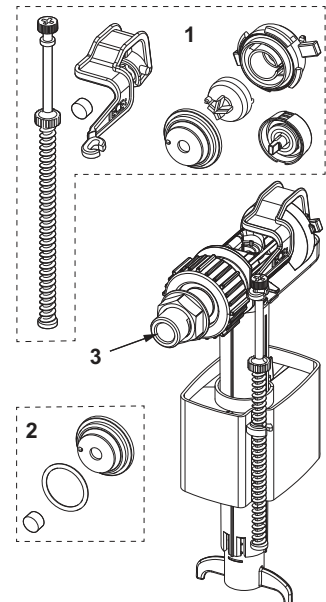
- 3/8" metal connection thread
- Flow pressure 0.5-10 bar
- Minimum flow pressure 0.5 bar
- Adjustable fill height
- Adjustable outflow pipe
- Low-noise in accordance with group I (DIN 4109)
- Compact design
- Incl. adapter and attachment nut



Order No.	DU 1	DU 2	DU 3
9820353	1 pc.	10 pc.	240 pc.

9820353 – TECE filling valve F 10 universal

Pos.	Order No.	Designation	DU 1
1	9820382	Filling valve F 10 valve lever set	1 pc.
2	9820383	Filling valve F 10 sealing kit	1 pc.
3	9820398	Filling valve F 10 threaded connection 3/8"	1 pc.





Drainage Systems

TECEdrainprofile SHOWER PROFILE

ASSORTMENT LIST 2021

	Page
Shower profiles	260
Drains	263
Accessories	265
Spare parts	267

TECEDrainprofile – Shower profiles

TECEDrainprofile shower profile

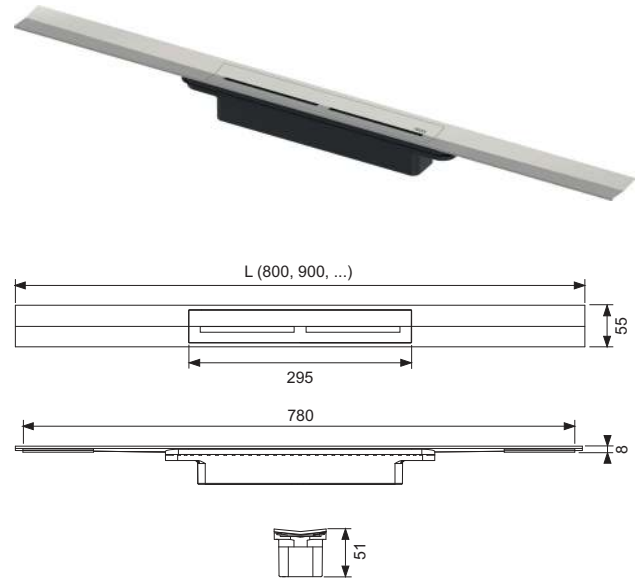
Shower profile for shower drainage, for installation in tile adhesive above the screed and seal.

Consisting of:

- Shower profile that can be cut to length made of stainless steel, with internal incline for improved water drainage and self-cleaning effect, material 1.4301 (304)
- Shower profile can be shortened to ≥ 500 mm
- Profile lid made of stainless steel, with "Push Function" for removal by hand, material 1.4301 (304), durable to load class K3 - maximum test load 300 kg
- Connection piece for connection with a TECEDrainprofile drain
- Grip elements for easy installation and solid connection with the tile adhesive
- For floors from 8-25 mm (incl. adhesive bed)
- For flush to the wall installation for wall coverings from 10 mm (incl. adhesive bed)
- For installation at the wall (flush to the wall) or at any specific distance from the wall

Please order separately:

- TECEDrainprofile drain



Length	Width	Surface	Order No.	DU 1
800 mm	55 mm	brushed	670800	1 pc.
800 mm	55 mm	polished	670810	1 pc.
900 mm	55 mm	brushed	670900	1 pc.
900 mm	55 mm	polished	670910	1 pc.
1000 mm	55 mm	brushed	671000	1 pc.
1000 mm	55 mm	polished	671010	1 pc.
1200 mm	55 mm	brushed	671200	1 pc.
1200 mm	55 mm	polished	671210	1 pc.
1600 mm	55 mm	brushed	671600*	NEW 1 pc.

TECEDrainprofile shower profile with black PVD surface

NEW

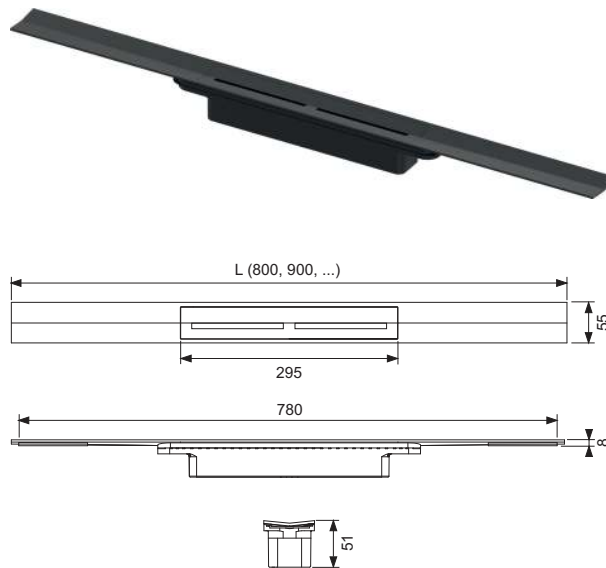
Shower profile for shower drainage, for installation in tile adhesive above the screed and seal.

Consisting of:

- Shower profile that can be cut to length with internal gradient for improved water drainage and self-cleaning effect
- Shower profile can be shortened to ≥ 500 mm
- Profile lid with "Push Function" for removal by hand, durable to load class K3 - maximum test load 300 kg
- Shower profile and profile lid made of stainless steel, material 1.4301 (304) with coloured PVD coating
- Connection piece for connection with a TECEDrainprofile drain
- Grip elements for simple installation and solid connection with the tile adhesive
- For floors coverings from 8-25 mm (incl. adhesive bed)
- For flush to the wall installation for wall coverings from 10 mm (incl. adhesive bed)
- For installation at the wall (flush to the wall) or at any specific distance from the wall

Please order separately:

- TECEDrainprofile drain



Length	Width	Surface	Order No.		DU 1
800 mm	55 mm	brushed	670821	NEW	1 pc.
900 mm	55 mm	brushed	670921	NEW	1 pc.
1000 mm	55 mm	brushed	671021	NEW	1 pc.
1200 mm	55 mm	brushed	671221	NEW	1 pc.

TECEdrainprofile – Shower profiles

TECEdrainprofile shower profile with coloured PVD surface

Shower profile for shower drainage, for installation in tile adhesive above the screed and seal.

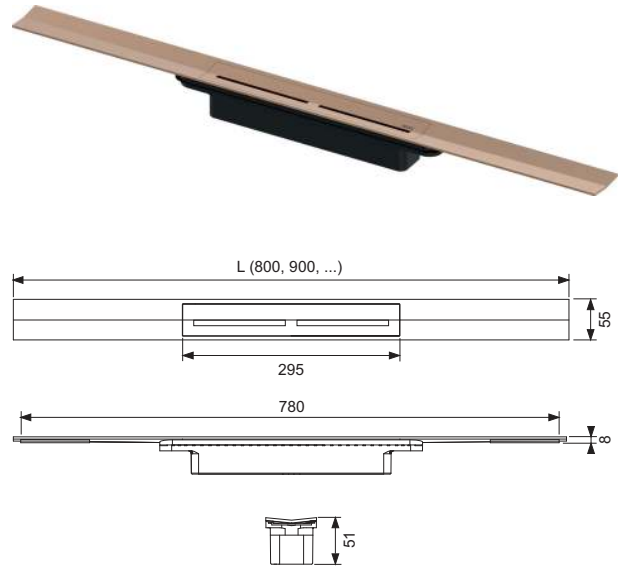
The PVD finishes are colour matched to the TECESquare II metal toilet flush plates and the latest offers from leading manufacturers including those from the hansgrohe / AXOR collections.

Consisting of:

- Shower profile that can be cut to length with internal incline for improved water drainage and self-cleaning effect
- Shower profile can be shortened to ≥ 500 mm
- Profile lid with "Push Function" for removal by hand, durable to load class K3 - maximum test load 300 kg
- Shower profile and profile lid, made of stainless steel material 1.4301 (304) with coloured PVD coating
- Connection pieces for connection with a TECEdrainprofile drain
- Grip elements for easy installation and solid connection with the tile adhesive
- For floors from 8-25 mm (incl. adhesive bed)
- For flush to the wall installation for wall coverings from 10 mm (incl. adhesive bed)
- For installation at the wall (flush to the wall) or at any specific distance from the wall

Please order separately:

- TECEdrainprofile drain



Length	Width	Colour	Suitable for	Order No.	DU 1
800 mm	55 mm	Brushed Black Chrome	hansgrohe / AXOR	670801	1 pc.
800 mm	55 mm	Polished Black Chrome	hansgrohe / AXOR	670811	1 pc.
800 mm	55 mm	Brushed Gold Optic	hansgrohe / AXOR	670802	1 pc.
800 mm	55 mm	Polished Gold Optic	hansgrohe / AXOR	670812	1 pc.
800 mm	55 mm	Brushed Red Gold	hansgrohe / AXOR	670803	1 pc.
800 mm	55 mm	Polished Red Gold	hansgrohe / AXOR	670813	1 pc.
900 mm	55 mm	Brushed Black Chrome	hansgrohe / AXOR	670901	1 pc.
900 mm	55 mm	Polished Black Chrome	hansgrohe / AXOR	670911	1 pc.
900 mm	55 mm	Brushed Gold Optic	hansgrohe / AXOR	670902	1 pc.
900 mm	55 mm	Polished Gold Optic	hansgrohe / AXOR	670912	1 pc.
900 mm	55 mm	Brushed Red Gold	hansgrohe / AXOR	670903	1 pc.
900 mm	55 mm	Polished Red Gold	hansgrohe / AXOR	670913	1 pc.
1000 mm	55 mm	Brushed Black Chrome	hansgrohe / AXOR	671001	1 pc.
1000 mm	55 mm	Polished Black Chrome	hansgrohe / AXOR	671011	1 pc.
1000 mm	55 mm	Brushed Gold Optic	hansgrohe / AXOR	671002	1 pc.
1000 mm	55 mm	Polished Gold Optic	hansgrohe / AXOR	671012	1 pc.
1000 mm	55 mm	Brushed Red Gold	hansgrohe / AXOR	671003	1 pc.
1000 mm	55 mm	Polished Red Gold	hansgrohe / AXOR	671013	1 pc.
1200 mm	55 mm	Brushed Black Chrome	hansgrohe / AXOR	671201	1 pc.
1200 mm	55 mm	Polished Black Chrome	hansgrohe / AXOR	671211	1 pc.
1200 mm	55 mm	Brushed Gold Optic	hansgrohe / AXOR	671202	1 pc.
1200 mm	55 mm	Polished Gold Optic	hansgrohe / AXOR	671212	1 pc.
1200 mm	55 mm	Brushed Red Gold	hansgrohe / AXOR	671203	1 pc.
1200 mm	55 mm	Polished Red Gold	hansgrohe / AXOR	671213	1 pc.

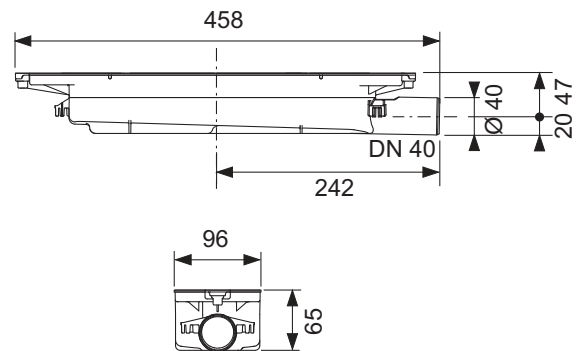
TECEdrainprofile drain "flat", DN 40 side drain*

Drain for TECEdrainprofile shower profile, for installing in screed, for connection to the side of a DN 40 drain pipe. With factory fitted and clickable Seal System sealing sleeve, to create a DIN 18534 compliant connection of the composite seal.

- Min. Installation height 65 mm (bottom edge of drain to upper edge of screed)
- Drainage capacity $\geq 0,48/\geq 0,56$ l/s (to EN 1253 with 10/20 mm build-up above the profile lid)
- Sealing water height 30 mm
- Removable odour trap
- Integrated screed anchor
- Factory fitted, clickable and flexible sealing sleeve with Seal System
- Fits prefabricated sound insulation strips
- Protective construction cover
- Sliding/mobile seal for connection with TECEdrainprofile shower profile and to compensate structural tolerances

Please order separately:

- Assembly feet (optional)
- Drainbase sound insulation mat (optional)



Order No.	DU 1
673001	1 pc.



TECEdrainprofile – Drains

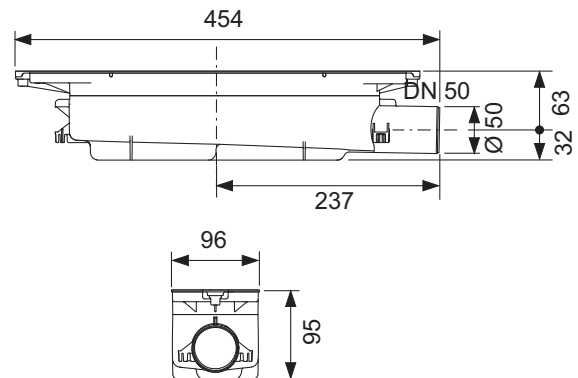
TECEdrainprofile drain "standard", DN 50 side drain*

Drain for TECEdrainprofile shower profile, for installing in screed, for connection to the side of a DN 50 drain pipe. With factory fitted and clickable Seal System sealing sleeve, to create a DIN 18534 compliant connection of the composite seal.

- Min. Installation height 95 mm (bottom edge of drain to upper edge of screed)
- Drainage capacity $\geq 0.7/\geq 0.8$ l/s (to EN 1253 with 10/20 mm build-up above the profile lid)
- Sealing water height 50 mm
- Removable odour trap
- Integrated screed anchor
- Factory fitted, clickable and flexible sealing sleeve with Seal System
- Fits prefabricated sound insulation strips
- Protective construction cover
- Sliding/mobile seal for connection with TECEdrainprofile shower profile and to compensate structural tolerances

Please order separately:

- Assembly feet (optional)
- Drainbase sound insulation mat (optional)



Order No.	DU 1
673002	1 pc.

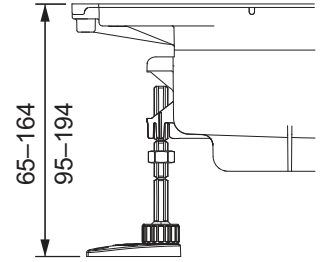


TECEdrainprofile assembly feet

Assembly feet for TECEdrainpoint "standard" and "flat" drain to make it easy to adjust height and fix in position during the bare-wall installation stage. Adjustment range on "standard" pipe 95-194 mm, on "flat" pipe 65-164 mm (lower edge of feet to the upper edge of drain or screed)

Consisting of:

- 3 assembly feet incl. sound insulation cap and attachments



Order No.	DU 1	DU 2
674000	1 set	50 set

TECEdrainprofile wall and floor-mounting bracket

Assembly bracket for "flat" or "standard" drains for assembly at the wall or on the floor. For simple height adjustment and positioning in shell installation.

- The assembly bracket can be disassembled and reused if used for wall assembly.
- Adjustable wall spacings of 0 to 97/145 mm (upper edge of wall to front/centre of drain)
- Height adjustment with floor-mounting 95-185 mm (lower edge of feet to upper edge of drain or upper edge of screed)



Order No.	DU 1	DU 2
674001	1 pc.	18 pc.

TECEdrainprofile hair trap

Hair trap made of stainless steel for inserting into the TECEdrainprofile shower profile. With "push function" for easy removal by hand. One set (consisting of two hair traps) is required for one shower profile.



Order No.	DU 1
674002	1 set

Drainbase sound insulation mat for TECEdrainprofile, TECEdrainline and TECEdrainpoint S

Sound insulation mat for assembly under floating screed in the area of floor-level showers or throughout the bathroom. To reduce plumbing noises and provide impact noise insulation for renovations and new buildings.

Made of recycled high-tensile rubber granules bound with PUR elastomer. Meets enhanced sound insulation requirements for installation noise level according to DIN 4109 supplement 2, issued 1989-11 and the highest sound protection level SSt III according to VDI 4100, issued 2012-10 (sound test verification available on request).

- Form of delivery: 1.25 m x 1.25 m x 6 mm
- Fire class: B2 (DIN 4102)
- Thermal resistance: 0.05 (m²K)/W
- Compression at 15 t/m²: 0.6 mm
- Impact noise reduction: ΔLw= 20 dB(A) (with 50 mm screed)



Order No.	DU 1	DU 2
660001	1 pc.	16 pc.

TECEdrainprofile – Accessories

Drainbase sound insulation mat (roll) for TECEdrainprofile, TECEdrainline and TECEdrainpoint S

Sound insulation mat for assembly under floating screed in the area of floor-level showers or throughout the bathroom. To reduce plumbing noises and provide impact noise insulation for renovations and new buildings. Made of recycled high-tensile rubber granules bound with PUR elastomer. Meets enhanced sound insulation requirements for installation noise level according to DIN 4109 supplement 2, issued 1989-11 and the highest sound protection level SSt III according to VDI 4100, issued 2012-10 (sound test verification available on request).

- Form of delivery: 8.0 m x 1.25 m x 6 mm (roll, approx. 50 kg)
- Fire class: B2 (DIN 4102)
- Thermal resistance: 0.05 (m²k)/W
- Compression at 15 t/m²: 0.6 mm
- Impact noise reduction: $\Delta L_w = 20$ dB(A) (with 50 mm screed)



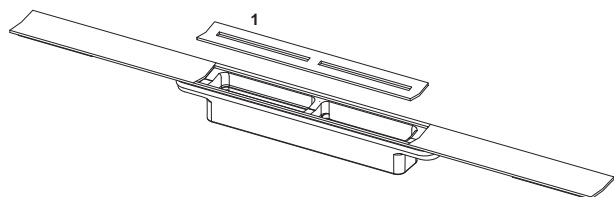
Order No.

660002

DU 1

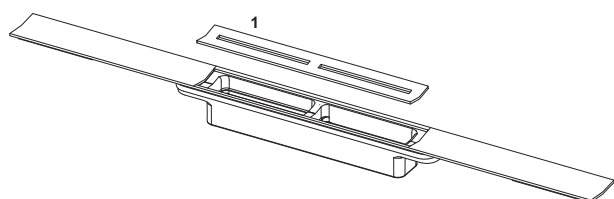
8 m

TECEdrainprofile shower profile



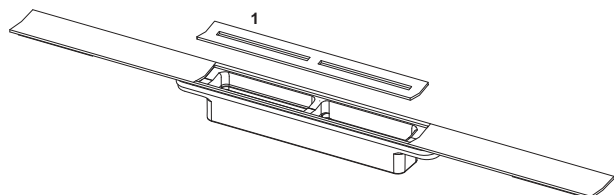
Pos.	Order No.	Designation	DU 1
1	675000	Profiled cover in stainless steel, brushed	1 pc.
	675001	Profiled cover in stainless steel, polished	1 pc.

TECEdrainprofile shower profile with black PVD surface



Pos.	Order No.	Designation	DU 1
1	675019*	Profile lid in brushed stainless steel, black, for 800-1000 mm	NEW 1 pc.
	675020*	Profile lid in brushed stainless steel, black, for 1200 mm	1 pc.

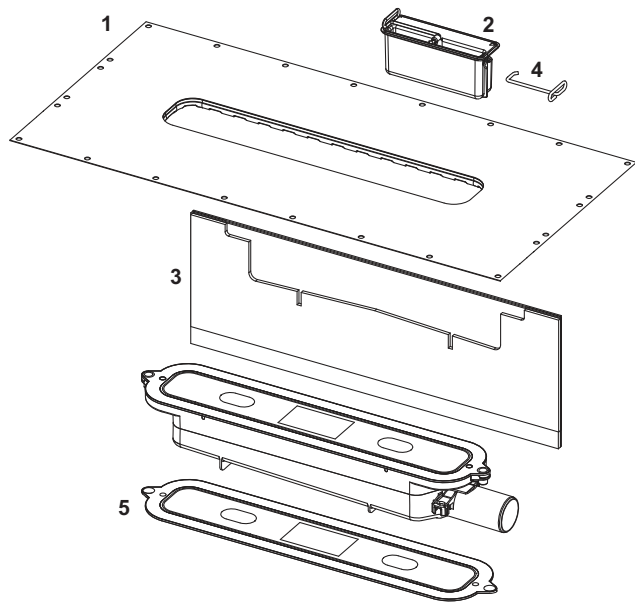
TECEdrainprofile shower profile with coloured PVD surface



Pos.	Order No.	Designation	DU 1
1	675010	Profile lid stainless steel, "Brushed Black Chrome"	1 pc.
	675012	Profile lid stainless steel, "Brushed Gold Optic"	1 pc.
	675014	Profile lid stainless steel, "Brushed Red Gold"	1 pc.
	675011	Profile lid stainless steel, "Polished Black Chrome"	1 pc.
	675013	Profile lid stainless steel, "Polished Gold Optic"	1 pc.
	675015	Profile lid stainless steel, "Polished Red Gold"	1 pc.

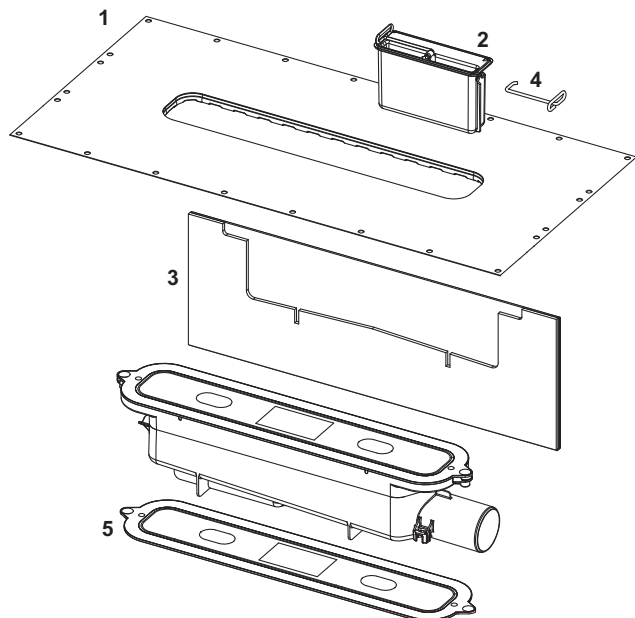
TECEdrainprofile – Spare parts

TECEdrainprofile drain "flat", DN 40 side drain



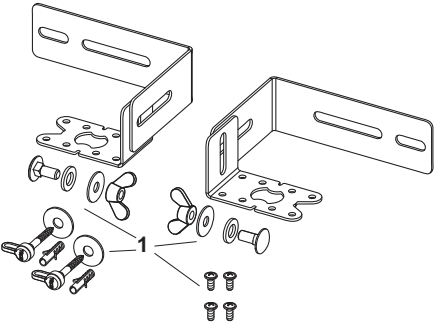
Pos.	Order No.	Designation	DU 1
1	675005	click-together Seal System sealing sleeve	1 pc.
2	675006	Odour trap for "flat" drain	1 pc.
3	675004	Sound insulation strips for "standard" and "flat" drain	1 pc.
4	675009	Removal hook for odour trap	1 pc.
5	675016	Protective cover for drains, incl. fixing screws	1 pc.

TECEdrainprofile drain "standard", DN 50 side drain



Pos.	Order No.	Designation	DU 1
1	675005	click-together Seal System sealing sleeve	1 pc.
2	675008	Odour trap for drain "standard"	1 pc.
3	675004	Sound insulation strips for "standard" and "flat" drain	1 pc.
4	675009	Removal hook for odour trap	1 pc.
5	675016	Protective cover for drains, incl. fixing screws	1 pc.

674001 – TECEdrainprofile wall and floor-mounting bracket



Pos.	Order No.	Designation	DU 1
1	675017	Spare part set (screws) for wall and floor mounting brackets for drains	1 pc.





Drainage Systems

TECEdrainline SHOWER CHANNELS

ASSORTMENT LIST 2021

	Page
Shower channel, straight	274
Design covers, straight	278
Angled channel	282
Design covers for angled channel	283
Channel for natural stone	284
Drains	285
Accessories	287
Spare parts	290

An overview of valid Declaration of Performance (DOP) is available on our website www.tece.com.

TECEdrainline – Shower channel, straight

TECEdrainline-Evo shower channel*

Straight stainless steel channel body including factory fitted Seal System sealing sleeve with protective construction cover for installation in the screed, for creating a DIN 18534 compliant connection of the TECEdrainline shower channel to the composite seal.

Consisting of:

- Continuously closed channel body made of polished stainless steel, material 1.4301 (304)
- Anti-capillary edge to avoid water penetrating under the tiles via capillary action
- Anti-backflow secondary drainage via glass fibre enhanced plastic hard shell
- Factory-fitted Seal System sealing sleeve for installation by the customer in the liquid or strip composite seal
- Protective cover with seal of originality for stainless steel channel and Seal System sealing collar
- Recess for mounting of optional assembly feet and for anchoring in the screed
- Levelling points (left and right) for clipping and forming a wider screed drip edge for easier levelling
- Central channel support to connect the drain
- Internal gradient for improved water drainage and self-cleaning effect
- Immersion pipe seal
- Optional secondary drainage

Length in unfinished state incl. flange = 693, 793, ... mm

Visible length after installation = 651, 751, ... mm

Width in unfinished state incl. flange = 111 mm

Visible width

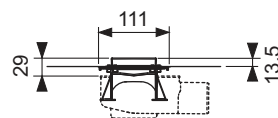
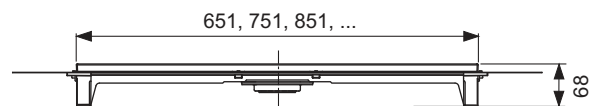
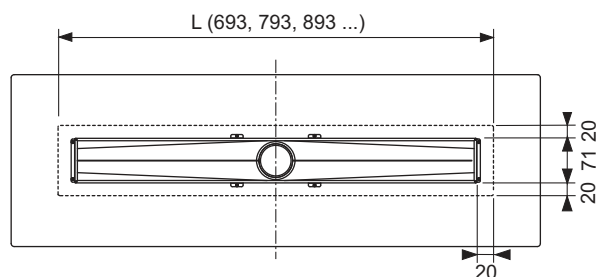
after installation = 71 mm

Installation height to upper edge of finished floor level (depending on drain):

- 68 mm drain "vertical"
- 70 mm drain "extra-flat"
- 96 mm drain "flat"
- 121 mm drain "standard"
- 149 mm drain "max"

Please order separately:

- Design grate or tileable channel
- Drain
- Assembly feet (optional)
- Drainbase sound insulation mat (optional), for adhering to the installation sound level as per DIN 4109 and the VDI 4100 sound protection level (SSt) I to III



Nominal length	Total length L	Visible dim. after installation	Order No.	DU 1	DU 2
700 mm	693 mm	651 mm	600702	1 pc.	49 pc.
800 mm	793 mm	751 mm	600802	1 pc.	49 pc.
900 mm	893 mm	851 mm	600902	1 pc.	49 pc.
1000 mm	993 mm	951 mm	601002	1 pc.	49 pc.
1200 mm	1193 mm	1151 mm	601202	1 pc.	49 pc.

TECEdrainline-Evo shower channel with wall tile support*

Straight stainless steel channel body including factory fitted Seal System sealing sleeve with protective construction cover for installation on the wall in the screed, for creating a DIN 18534 compliant connection of the TECEdrainline shower channel to the composite seal.

Consisting of:

- Continuously closed channel body made of polished stainless steel, material 1.4301 (304) with wall tile support
- Anti-capillary edge to avoid water penetrating under the tiles via capillary action
- Anti-backflow secondary drainage via glass fibre enhanced plastic hard shell
- Factory-fitted Seal System sealing sleeve for installation by the customer in the liquid or strip composite seal
- Protective cover with seal of originality for stainless steel channel and Seal System sealing collar
- Recess for mounting of optional assembly feet and for anchoring in the screed
- Levelling points (left and right) for clipping and forming a wider screed drip edge for easier levelling
- Central channel support to connect the drain
- Internal gradient for improved water drainage and self-cleaning effect
- Sound insulation strips
- Immersion pipe seal
- Optional secondary drainage

Length in unfinished state incl. flange = 693, 793, ... mm

Visible length after installation = 651, 751, ... mm

Width in unfinished state incl. flange = 111 mm

Visible width

after installation = 84.5 mm

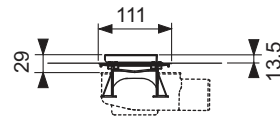
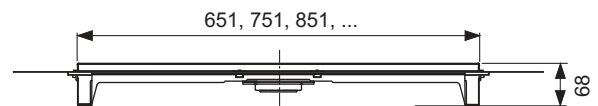
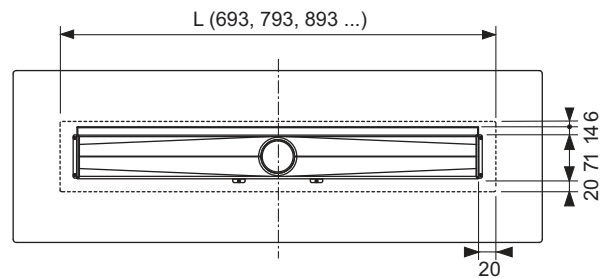
Installation height to upper edge of finished floor (depending on drain):

- 68 mm drain "vertical"
- 70 mm drain "extra-flat"
- 96 mm drain "flat"
- 121 mm drain "standard"

Caution: Not compatible with the drain "max" .

Please order separately:

- Design grate or tileable channel
- Drain
- Assembly feet (optional)
- Drainbase sound insulation mat (optional), for adherence to installation noise level according to DIN 4109 and VDI 4100 sound protection level (SSt) I to III



Nominal length	Total length L	Visible dim. after installation	Order No.	DU 1	DU 2
700 mm	693 mm	651 mm	600703	1 pc.	49 pc.
800 mm	793 mm	751 mm	600803	1 pc.	49 pc.
900 mm	893 mm	851 mm	600903	1 pc.	49 pc.
1000 mm	993 mm	951 mm	601003	1 pc.	49 pc.
1200 mm	1193 mm	1151 mm	601203	1 pc.	49 pc.

TECEdrainline – Shower channel, straight

TECEdrainline shower channel, straight, with Seal System sealing tape*

Straight channel body for installation in the screed, with flange and Seal System sealing tape, for creating an independently tested connection of the TECEdrainline shower channel to the composite seal.

Consisting of:

- Channel body with flange made of polished stainless steel, material 1.4301 (304)
- Seal System sealing tape with matting for installation by the customer in the liquid or strip composite seal
- Connecting clips for anchoring in the screed and fitting of optional assembly feet
- Central connection pieces for drain
- Internal incline for improved water drainage and self-cleaning effect
- Seal

Length in unfinished state incl. flange = 711, 811, ... mm

Visible length after installation = 651, 751, ... mm

Width in unfinished state incl. flange = 150 mm

Visible width

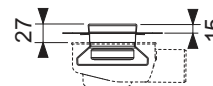
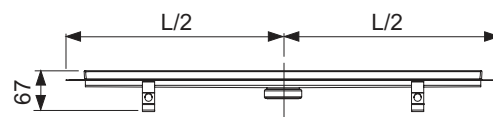
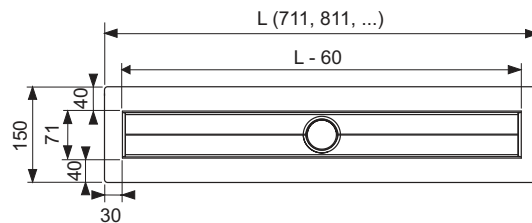
after installation = 71 mm

Installation height to upper edge of finished floor level (depending on drain):

- 67 mm drain "vertical"
- 68.5 mm drain "extra-flat"
- 95 mm drain "flat"
- 120 mm drain "standard"
- 148 mm drain "max"

Please order separately:

- Design grate or tileable channel
- Drain
- Assembly feet (optional)
- Drainbase sound insulation mat (optional), for adhering to the installation sound level as per DIN 4109 and the VDI 4100 sound protection levels (SSt) I to III



Nominal length	Total length L	Visible dim. after installation	Order No.	DU 1	DU 2
700 mm	711 mm	651 mm	600700	1 pc.	40 pc.
800 mm	811 mm	751 mm	600800	1 pc.	40 pc.
900 mm	911 mm	851 mm	600900	1 pc.	40 pc.
1000 mm	1011 mm	951 mm	601000	1 pc.	40 pc.
1200 mm	1211 mm	1151 mm	601200	1 pc.	20 pc.
1500 mm	1511 mm	1451 mm	601500	1 pc.	20 pc.

Custom lengths, exclusive designs

We will be happy to produce custom lengths or a grate design to suit your own specifications. You will find the corresponding order form as a download on our website and in our product database. We will advise you of the costs when you submit your enquiry. The delivery time is about four to six weeks after approval and clarification of all details. Custom lengths and custom finishes cannot be cancelled after approval is given, and cannot be returned.

Maximum length to order 1500 mm.

TECEdrainline shower channel, straight, with wall upstand and Seal System sealing tape*

Straight channel body with wall upstand for installation in the screed against the wall, with flange and Seal System sealing tape, for creating an independently tested connection of the TECEdrainline shower channel to the composite seal.

Consisting of:

- Channel body with flange made of polished stainless steel, material 1.4301 (304)
- Seal System sealing tape with matting for installation by the customer in the liquid or strip composite seal
- Connecting clips for anchoring in the screed and fitting of optional assembly feet
- Central connection piece for drain
- Internal incline for improved water drainage and self-cleaning effect
- Seal

Length in unfinished state incl. flange = 711, 811, ... mm

Visible length after installation = 651, 751, ... mm

Width in unfinished state incl. flange = 124 mm

Visible width

after installation = 69 mm

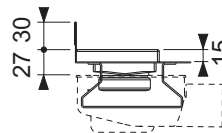
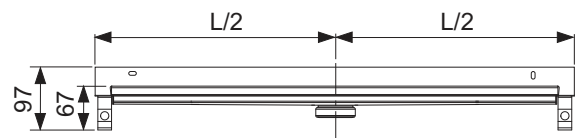
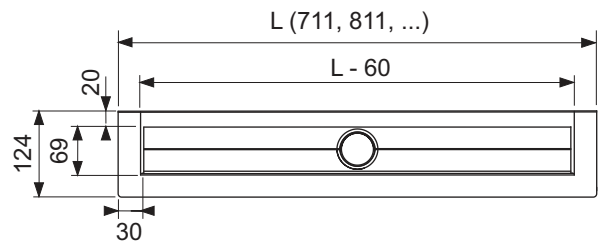
Installation height to upper edge of finished floor (depending on drain):

- 67 mm "vertical" drain
- 68.5 mm "extra-flat" drain
- 95 mm "flat" drain
- 120 mm "standard" drain

Caution: Not compatible with the "max" drain!

Please order separately:

- Design grate or tileable channel
- Drain
- Assembly feet (optional)
- Drainbase sound insulation mat (optional), for adherence to installation noise level according to DIN 4109 and VDI 4100 sound protection levels (SSt) I to III



Nominal length	Total length L	Visible dim. after installation	Order No.	DU 1	DU 2
700 mm	711 mm	651 mm	600701	1 pc.	32 pc.
800 mm	811 mm	751 mm	600801	1 pc.	32 pc.
900 mm	911 mm	851 mm	600901	1 pc.	32 pc.
1000 mm	1011 mm	951 mm	601001	1 pc.	32 pc.
1200 mm	1211 mm	1151 mm	601201	1 pc.	16 pc.
1500 mm	1511 mm	1451 mm	601501	1 pc.	16 pc.

Custom lengths, exclusive designs

We will be happy to produce custom lengths or a grate design to suit your own specifications. You will find the corresponding order form as a download on our website and in our product database. We will advise you of the costs when you submit your enquiry. The delivery time is about four to six weeks after approval and clarification of all details. Custom lengths and custom finishes cannot be cancelled after approval is given, and cannot be returned.

Maximum length to order 1500 mm.

TECEdrainline – Design covers, straight

TECEdrainline tileable channel "plate II", for shower channel, straight

Tileable channel for TECEdrainline shower channel, for fitting into the channel body, made of stainless steel. Maximum test load 300 kg based on load class K3. Tiles can be attached by the customer using elastic adhesive, e.g. silicon or epoxy resin adhesive.

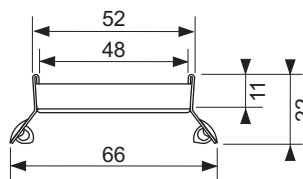
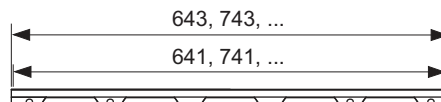
Caution:

Check the adhesive to ensure tile compatibility!

Nominal length	Surface	Order No.	DU 1
700 mm	polished	600772	1 pc.
800 mm	polished	600872	1 pc.
900 mm	polished	600972	1 pc.
1000 mm	polished	601072	1 pc.
1200 mm	polished	601272	1 pc.
1500 mm	polished	601572	1 pc.



Design "plate II"



TECEdrainline tileable channel "plate", for shower channel, straight

Tileable channel for TECEdrainline shower channel, for fitting into the channel body, made of stainless steel with polished visible edges. Maximum test load 300 kg based on load class K3. Tiles can be attached by the customer using elastic adhesive, e.g. silicon or epoxy resin adhesive.

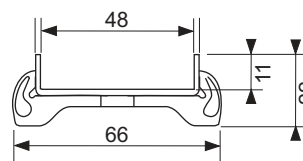
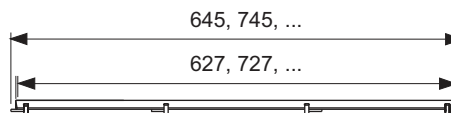
Caution:

Check the adhesive to ensure tile compatibility!

Nominal length	Surface	Order No.	DU 1
700 mm	polished	600770	1 pc.
800 mm	polished	600870	1 pc.
900 mm	polished	600970	1 pc.
1000 mm	polished	601070	1 pc.
1200 mm	polished	601270	1 pc.
1500 mm	polished	601570	1 pc.



Design "plate"



TECEdrainline glass cover for shower channel, straight

Design grate for TECEdrainline shower channel, made of stainless steel with a glass surface, for fitting into the channel body. Maximum test load 300 kg based on load class K3, three different colour designs.

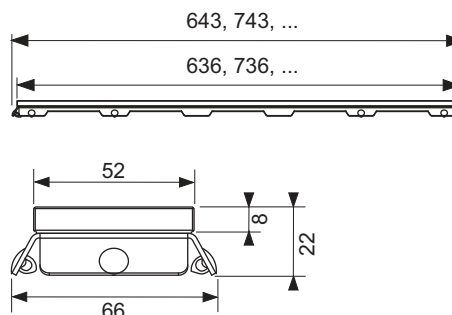
Note:

Production of custom lengths not possible!

Nominal length	Surface	Order No.	DU 1
700 mm	Green glass	600790	1 pc.
700 mm	White glass	600791	1 pc.
700 mm	Black glass	600792	1 pc.
800 mm	Green glass	600890	1 pc.
800 mm	White glass	600891	1 pc.
800 mm	Black glass	600892	1 pc.
900 mm	Green glass	600990	1 pc.
900 mm	White glass	600991	1 pc.
900 mm	Black glass	600992	1 pc.
1000 mm	Green glass	601090	1 pc.
1000 mm	White glass	601091	1 pc.
1000 mm	Black glass	601092	1 pc.
1200 mm	Green glass	601290	1 pc.
1200 mm	White glass	601291	1 pc.
1200 mm	Black glass	601292	1 pc.
1500 mm	Green glass	601590	1 pc.
1500 mm	White glass	601591	1 pc.
1500 mm	Black glass	601592	1 pc.



Design "glass"



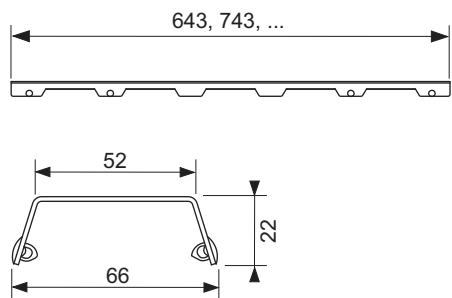
TECEdrainline design grate "steel II" polished or brushed stainless steel for shower channel, straight

Design grate for TECEdrainline shower channel (straight), made of polished or brushed stainless steel, for fitting into the channel body, load capacity based on load class K3 – test load 300 kg.

Nominal length	Surface	Order No.	DU 1
700 mm	polished	600782	1 pc.
700 mm	brushed	600783	1 pc.
800 mm	polished	600882	1 pc.
800 mm	brushed	600883	1 pc.
900 mm	polished	600982	1 pc.
900 mm	brushed	600983	1 pc.
1000 mm	polished	601082	1 pc.
1000 mm	brushed	601083	1 pc.
1200 mm	polished	601282	1 pc.
1200 mm	brushed	601283	1 pc.
1500 mm	polished	601582	1 pc.
1500 mm	brushed	601583	1 pc.



Design "steel II"



TECEdrainline – Design covers, straight

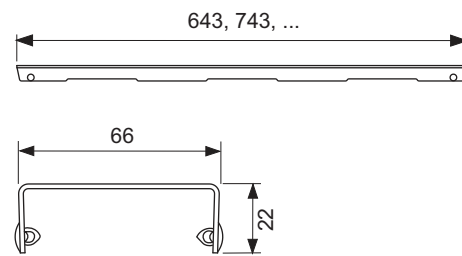
TECEdrainline design grate "basic" polished or brushed stainless steel for shower channel, straight

Design grate for TECEdrainline shower channel (straight), made of polished or brushed stainless steel, for fitting into the channel body, load capacity based on load class K3 – test load 300 kg.

Nominal length	Surface	Order No.	DU 1
700 mm	polished	600710	1 pc.
700 mm	brushed	600711	1 pc.
800 mm	polished	600810	1 pc.
800 mm	brushed	600811	1 pc.
900 mm	polished	600910	1 pc.
900 mm	brushed	600911	1 pc.
1000 mm	polished	601010	1 pc.
1000 mm	brushed	601011	1 pc.
1200 mm	polished	601210	1 pc.
1200 mm	brushed	601211	1 pc.
1500 mm	polished	601510	1 pc.
1500 mm	brushed	601511	1 pc.



Design "basic"



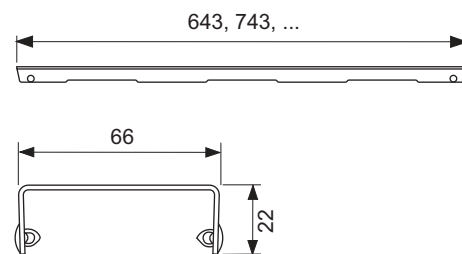
TECEdrainline design grate "drops" polished or brushed stainless steel for shower channel, straight

Design grate for TECEdrainline shower channel (straight), made of polished or brushed stainless steel, for fitting into the channel body, load capacity based on load class K3 – test load 300 kg.

Nominal length	Surface	Order No.	DU 1
700 mm	polished	600730	1 pc.
700 mm	brushed	600731	1 pc.
800 mm	polished	600830	1 pc.
800 mm	brushed	600831	1 pc.
900 mm	polished	600930	1 pc.
900 mm	brushed	600931	1 pc.
1000 mm	polished	601030	1 pc.
1000 mm	brushed	601031	1 pc.
1200 mm	polished	601230	1 pc.
1200 mm	brushed	601231	1 pc.
1500 mm	polished	601530	1 pc.
1500 mm	brushed	601531	1 pc.



Design "drops"



TECEdrainline design grate "quadratum" polished or brushed stainless steel for shower channel, straight

Design grate for TECEdrainline shower channel (straight) made of polished stainless steel/brushed stainless steel for fitting into the channel body, load class K3 – test load 300 kg.

Maximum slip resistance for wet loaded barefoot areas, Class C to DIN 51097 (for brushed surface).

Nominal length	Surface	Order No.	DU 1
700 mm	polished	600750	1 pc.
700 mm	brushed	600751	1 pc.
800 mm	polished	600850	1 pc.
800 mm	brushed	600851	1 pc.
900 mm	polished	600950	1 pc.
900 mm	brushed	600951	1 pc.
1000 mm	polished	601050	1 pc.
1000 mm	brushed	601051	1 pc.
1200 mm	polished	601250	1 pc.
1200 mm	brushed	601251	1 pc.
1500 mm	polished	601550	1 pc.
1500 mm	brushed	601551	1 pc.

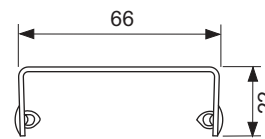
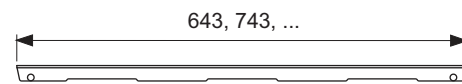
TECEdrainline design grate "organic" polished or brushed stainless steel for shower channel, straight

Design grate for TECEdrainline shower channel (straight), made of polished or brushed stainless steel, for fitting into the channel body, load capacity based on load class K3 – test load 300 kg.

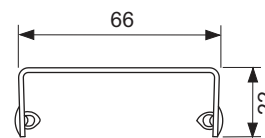
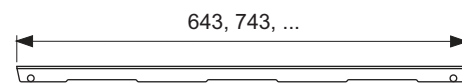
Nominal length	Surface	Order No.	DU 1
700 mm	polished	600760	1 pc.
700 mm	brushed	600761	1 pc.
800 mm	polished	600860	1 pc.
800 mm	brushed	600861	1 pc.
900 mm	polished	600960	1 pc.
900 mm	brushed	600961	1 pc.
1000 mm	polished	601060	1 pc.
1000 mm	brushed	601061	1 pc.
1200 mm	polished	601260	1 pc.
1200 mm	brushed	601261	1 pc.
1500 mm	polished	601560	1 pc.
1500 mm	brushed	601561	1 pc.



Design "quadratum"



Design "organic"



TECEdrainline – Angled channel

TECEdrainline angled channel with Seal System sealing tape*

Channel body with 90° angled version for installation in the screed, with flange and Seal System sealing tape for creating an independently tested connection of the TECEdrainline shower channel to the composite seal.

Consisting of:

- Channel body with flange made of polished stainless steel, material 1.4301 (304)
- Seal System sealing tape with matting for installation by the customer in the liquid or strip composite seal
- Connecting clips for anchoring in the screed and fitting of optional assembly feet
- Two connection pieces for drains
- Internal incline for improved water drainage and self-cleaning effect
- Seals

Length in unfinished state incl. flange = 946 x 946, 1046 x 1046, ... mm

Visible length after installation = 878 x 878, 978 x 978, ... mm

Width in unfinished state incl. flange = 156 mm

Visible width

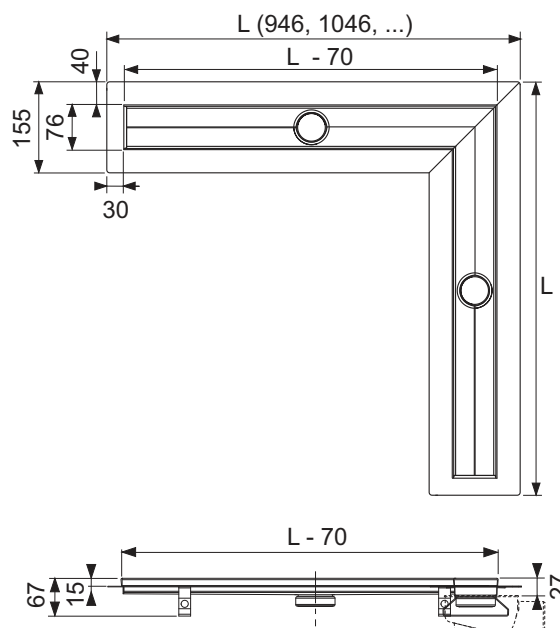
after installation = 76 mm

Installation height to upper edge of finished floor (depending on drain):

- 67 mm "vertical" drain
- 68.5 mm "extra-flat" drain
- 95 mm "flat" drain
- 120 mm "standard" drain
- 148 mm "max" drain

Please order separately:

- Design grate or tileable channel
- 2 drain assembly
- 2 sets assembly feet (optional)
- Drainbase sound insulation mat (optional), for adherence to installation noise level according to DIN 4109 and VDI 4100 sound protection levels (SSt) I to III



Nominal length	Total length L	Visible dim. after installation L - 70 mm	Order No.	DU 1	DU 2
900 x 900 mm	946 x 946 mm	878 x 878 mm	610900**	1 pc.	9 pc.
1000 x 1000 mm	1046 x 1046 mm	978 x 978 mm	611000**	1 pc.	9 pc.
1200 x 1200 mm	1246 x 1246 mm	1178 x 1178 mm	611200**	1 pc.	9 pc.

Custom lengths, exclusive designs

We will be happy to produce custom lengths or a grate design to suit your own specifications. You will find the corresponding order form as a download on our website and in our product database. We will advise you of the costs when you submit your enquiry. The delivery time is about four to six weeks after approval and clarification of all details. Custom lengths and custom finishes cannot be cancelled after approval is given, and cannot be returned.

Maximum length to order 1500 mm.

TECEdrainline tileable channel "plate", for 90° angled channel

Tileable channel for TECEdrainline shower channel, for fitting into the channel body, made of stainless steel with polished visible edges. Maximum test load 300 kg based on load class K3. Tiles can be attached by the customer using elastic adhesive, e.g. silicon or epoxy resin adhesive.

Caution:

Check the adhesive to ensure tile compatibility!

Design version = "plate", in two parts.

Nominal length	Surface	Order No.	DU 1
900 x 900 mm	polished	610970*	1 pc.
1000 x 1000 mm	polished	611070*	1 pc.
1200 x 1200 mm	polished	611270*	1 pc.



Design "plate"

TECEdrainline design grate "steel II", polished stainless steel for 90° angled shower channel

Design grate for TECEdrainline shower channel, 90° angled version, made of polished stainless steel, for fitting into the channel body, load capacity based on load class K3 – test load 300 kg, in two parts.

Brushed grates available on request!

Nominal length	Surface	Order No.	DU 1
900 x 900 mm	polished	610982*	1 pc.
1000 x 1000 mm	polished	611082*	1 pc.
1200 x 1200 mm	polished	611282*	1 pc.



Design "steel II"

TECEdrainline design grate "basic", polished stainless steel for 90° angled shower channel

Design grate for TECEdrainline shower channel, 90° angled version, made of polished stainless steel, for fitting into the channel body, load capacity based on load class K3 – test load 300 kg, in two parts.

Brushed grates available on request!

Nominal length	Surface	Order No.	DU 1
900 x 900 mm	polished	610910*	1 pc.
1000 x 1000 mm	polished	611010*	1 pc.
1200 x 1200 mm	polished	611210*	1 pc.



Design "basic"

TECEdrainline – Channel for natural stone

TECEdrainline shower channel for natural stone, straight, with Seal System sealing set and stainless steel support as a set*

Straight channel body and support sheet for TECEdrainline shower channel, for installation in the screed and laying by the customer of large tiles/natural stone slabs, with flange and Seal System sealing tape, for creating an independently tested connection of the TECEdrainline shower channel to the composite seal.

Consisting of:

- Channel body with flange made of polished stainless steel, material 1.4301 (304)
- Seal System sealing tape with matting for installation by the customer in the liquid or strip composite seal
- Connecting clips for anchoring in the screed and fitting of optional assembly feet
- Central connection piece for drain
- Internal incline for improved water drainage and self-cleaning effect
- Support sheet made of stainless steel – material 1.4301 (304) – for fitting in the channel body
- Seals

Minimal installation height (without covering) to upper edge of channel:

- 52 mm "vertical" drain
- 61.5 mm "extra-flat" drain
- 87 mm "flat" drain"
- 112 mm "standard" drain
- 140 mm "max" drain

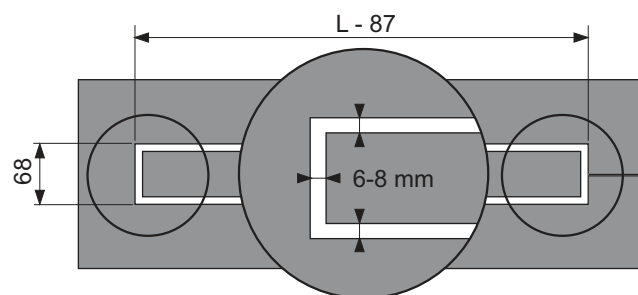
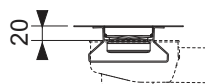
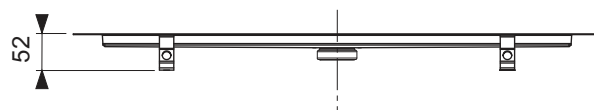
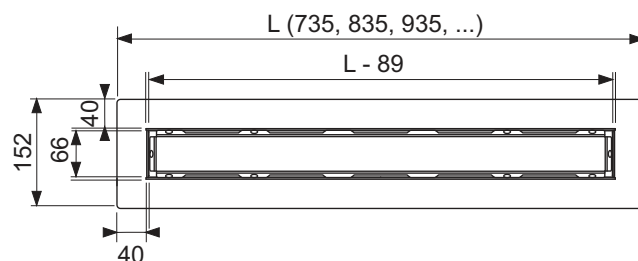
Covering cut-out length x width: (L - 87 mm) x 68 mm

Width of the continuous surrounding drain opening: 6-8 mm (see drawing on the right)

Please order separately:

- Drain
- Assembly feet (optional)
- Drainbase sound insulation mat (optional), for adherence to installation noise level according to DIN 4109 and VDI 4100 sound protection levels (SSt) I to III

Note: Design grate "steel II" possible as custom-made grate; all other design covers (tileable channel, glass covers, design grates) are unsuitable!



Nominal length	Total length L	Support sheet length		Covering cut-out length		Order No.	DU 1	DU 2
		L - 89	L - 87	L - 87	L - 87			
700 mm	735 mm	646 mm	648 mm	650700	1 pc.	40 pc.		
800 mm	835 mm	746 mm	748 mm	650800	1 pc.	40 pc.		
900 mm	935 mm	846 mm	848 mm	650900	1 pc.	40 pc.		
1000 mm	1035 mm	946 mm	948 mm	651000	1 pc.	40 pc.		
1200 mm	1235 mm	1146 mm	1148 mm	651200	1 pc.	20 pc.		
1500 mm	1535 mm	1446 mm	1448 mm	651500**	1 pc.	20 pc.		

Custom lengths, exclusive designs

We will be happy to produce custom lengths or a grate design to suit your own specifications. You will find the corresponding order form as a download on our website and in our product database. We will advise you of the costs when you submit your enquiry. The delivery time is about four to six weeks after approval and clarification of all details. Custom lengths and custom finishes cannot be cancelled after approval is given, and cannot be returned. Maximum length to order 1500 mm.

TECEdrainline drain "extra-flat", DN 40 side drain

Extra-low drain for TECEdrainline shower channel to create rotatable fitting with the channel body and side connection to DN 40 drain pipe, with removable siphon immersion pipe.

- Installation height from bottom edge of drain to upper edge of shower channel = 68.5 mm
- Reduced sealing water height = 30 mm

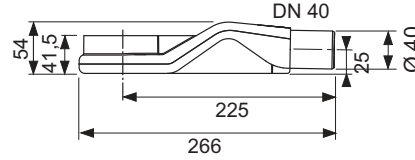
Drainage capacity to EN 1253, with 10/20 mm build-up above grate:

- Design grate "basic": 0.5/0.6 l/s
- Design grate "steel II": 0.5/0.6 l/s
- Tileable channel "plate"/"plate II": 0.5/0.6 l/s

Caution:

Because of the low installation height, sufficient screed cover is not possible in the area of the drain. Therefore only use large tiles and reinforcement to prevent cracks.

Not suitable for wheelchairs!



Order No.	DU 1	DU 2
650004	1 pc.	320 pc.

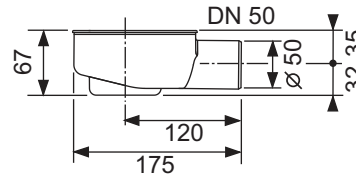
TECEdrainline drain "flat", DN 50 side drain

Drain for TECEdrainline shower channel to fit to the channel body, drain can be turned 360°, for lateral connection to DN 50 drain pipe, with removable siphon immersion pipe.

- Installation height from bottom edge of drain to upper edge of shower channel = 95 mm
- Reduced sealing water height = 25 mm

Drainage capacity to EN 1253, with 10 mm/20 mm build-up above grate:

- Design grate "basic": 0.8/0.8 l/s
- Design grate "steel II": 0.7/0.8 l/s
- Tileable channel "plate"/"plate II": 0.7/0.8 l/s



Order No.	DU 1	DU 2
650000	1 pc.	270 pc.

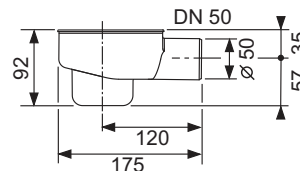
TECEdrainline drain "standard", DN 50 side drain

Drain for TECEdrainline shower channel to fit to the channel body, drain can be turned 360°, for lateral connection to DN 50 drain pipe, with removable siphon immersion pipe.

- installation height from bottom edge of drain to upper edge of shower channel = 120 mm
- Sealing water height = 50 mm, to EN 1253

Drainage capacity to EN 1253, with 10/20 mm build-up above grate:

- Design grate "basic": 0.8/0.9 l/s
- Design grate "steel II": 0.7/0.8 l/s
- Tileable channel "plate"/"plate II": 0.7/0.8 l/s



Order No.	DU 1	DU 2
650001	1 pc.	210 pc.

TECEdrainline – Drains

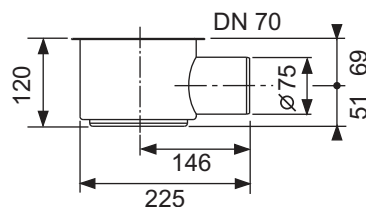
TECEdrainline drain "max", DN 70 side drain

Drain for TECEdrainline shower channel to fit to the channel body, drain can be turned 360°, for lateral connection to DN 70 drain pipe, with removable siphon immersion pipe.

- Installation height from bottom edge of drain to upper edge of shower channel = 148 mm
- Sealing water height = 60 mm, to EN 1253 > 50 mm

Drainage capacity to EN 1253, with 10 mm/20 mm build-up above grate:

- Design grate "basic": 1.2/1.4 l/s
- Design grate "steel II": 1.2/1.3 l/s
- Tileable channel "plate"/"plate II": 1.1/1.2 l/s



Order No.	DU 1	DU 2
650002	1 pc.	75 pc.

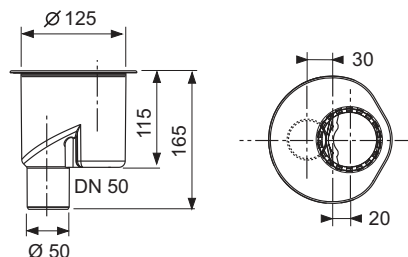
TECEdrainline drain "vertical", DN 50

Vertical drain for the TECEdrainline shower channel to fit to the channel body, drain can be rotated 360°, for vertical connection to DN 50 drain pipe, with removable siphon immersion pipe.

- Minimum installation height from upper edge of channel to lower edge of stirrup = 67 mm
- Sealing water height = 50 mm, to EN 1253
- Core hole required = 130 mm

Drainage capacity to EN 1253, with 10/20 mm build-up above grate:

- Design grate "basic": 1.3/1.3 l/s
- Design grate "steel II": 1.3/1.3 l/s
- Tileable channel "plate"/"plate II": 1.2/1.2 l/s



Order No.	DU 1	DU 2
650003	1 pc.	175 pc.

TECEDrainline assembly feet

Assembly feet to make it easy to adjust the height of the channel body and fix the position during shell assembly.

Consisting of:

- 4 x assembly feet incl. sound-proofing cap and mounting material



Version	Order No.	DU 1	DU 2
94-142 mm	660003	1 set	45 set
139-187 mm	660004	1 set	30 set

TECEDrainline fire protection set FireStop EI 120 DN 50

Fire protection set for direct vertical installation on the TECEDrainline DN 50 drain for highly fire resistant partitioning of ceiling bushings in solid ceilings for up to 120 minutes. Classification in accordance with EN 13501 for fire resistance class EI 120, European technical approval (ETA-11/0437).

Set consists of:

- Fire protection sleeve, 2 cross-recessed screws, identification plate, 150 mm DN 50 PP-HT pipe to EN 1451
- Required core drill hole: \varnothing 130 mm (\varnothing min = 129 mm, \varnothing max = 133 mm)
- Application area: Solid ceilings from 150-325 mm ceiling thickness
- No grouting or filling of the gap is necessary.
- Compatible with all TECEDrainline channels and covers.



Order No.	DU 1	DU 2
660006	1 pc.	50 pc.

TECE PP-HT adapter on PVC drain pipes

Adapter to connect TECEDrainline and TECEDrainpoint S drains to PVC waste water pipes.



Dimension	Order No.	DU 1	DU 2	DU 3
DN 40/DN 40	3690000	1 pc.	70 pc.	1120 pc.
DN 50/DN 40	3690001	1 pc.	70 pc.	1120 pc.
DN 50/DN 50	3690002	1 pc.	70 pc.	1120 pc.

TECE adapter DN 50/2"

Adapter to connect TECEDrainline, TECEDrainpoint S and TECEDrainprofile drains to 2" PVC waste water pipes in accordance with BS5255.



Order No.	DU 1	DU 2
669012	1 pc.	10 pc.

TECE hair trap for shower channels

Hair trap made of stainless steel, for fitting into the channel body.



Order No.	DU 1	DU 2
660005	1 pc.	10 pc.

TECEdrainline – Accessories

TECEdrainline mechanical odour trap for TECEdrainline drains

NEW

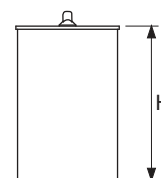
Mechanical odour trap made of plastic with internal sealing lip membrane can also be used as a barrier against vermin. Fits to all TECEdrainline drains.



Order No.		DU 1	DU 2
660020*	NEW	1 pc.	150 pc.

TECEdrainline membrane odour trap for TECEdrainline drains

Plastic immersion pipe with inner sealing lip membrane as protection against evaporation, barrier against odour and vermin (two-stage trap effect through water seal and sealing lip membrane).



Version	H	Order No.	DU 1	DU 2
For "extra-flat" drain	24 mm	660015	1 pc.	150 pc.
For "flat" drain	45 mm	660016	1 pc.	100 pc.
For "max" and "vertical" drains	94 mm	660017	1 pc.	100 pc.
For "standard" drain	74 mm	660018	1 pc.	100 pc.

Seal System sealing tape for TECEdrainline**

Self-adhesive butyl sealing tape with matting for sealing TECEdrainline shower channels. For direct adhesion by the customer on the stainless steel flange of the shower channel. With matting for installation in the liquid or strip composite seal.

Roll width: 100 mm



Order No.	DU 1	DU 2
660019	3.9 m	31.2 m

Drainbase sound insulation mat for TECEdrainprofile, TECEdrainline and TECEdrainpoint S

Sound insulation mat for assembly under floating screed in the area of floor-level showers or throughout the bathroom. To reduce plumbing noises and provide impact noise insulation for renovations and new buildings. Made of recycled high-tensile rubber granules bound with PUR elastomer. Meets enhanced sound insulation requirements for installation noise level according to DIN 4109 supplement 2, issued 1989-11 and the highest sound protection level SSt III according to VDI 4100, issued 2012-10 (sound test verification available on request).



- Form of delivery: 1.25 m x 1.25 m x 6 mm
- Fire class: B2 (DIN 4102)
- Thermal resistance: 0.05 (m²K)/W
- Compression at 15 t/m²: 0.6 mm
- Impact noise reduction: ΔLw= 20 dB(A) (with 50 mm screed)

Order No.	DU 1	DU 2
660001	1 pc.	16 pc.

Drainbase sound insulation mat (roll) for TECEdrainprofile, TECEdrainline and TECEdrainpoint S

Sound insulation mat for assembly under floating screed in the area of floor-level showers or throughout the bathroom. To reduce plumbing noises and provide impact noise insulation for renovations and new buildings. Made of recycled high-tensile rubber granules bound with PUR elastomer. Meets enhanced sound insulation requirements for installation noise level according to DIN 4109 supplement 2, issued 1989-11 and the highest sound protection level SSt III according to VDI 4100, issued 2012-10 (sound test verification available on request).



- Form of delivery: 8.0 m x 1.25 m x 6 mm (roll, approx. 50 kg)
- Fire class: B2 (DIN 4102)
- Thermal resistance: 0.05 (m²k)/W
- Compression at 15 t/m²: 0.6 mm
- Impact noise reduction: ΔL_w= 20 dB(A) (with 50 mm screed)

Order No.

660002

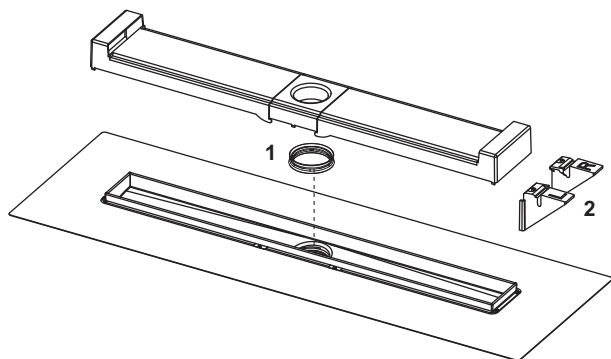
DU 1

8 m

TECEdrainline – Spare parts

TECEdrainline-Evo shower channel

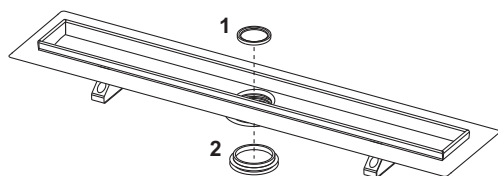
TECEdrainline-Evo shower channel with wall tile support



Pos.	Order No.	Designation	DU 1
1	668033	Immersion pipe seal	1 pc.
2	668034	Levelling points	NEW 1 pc.

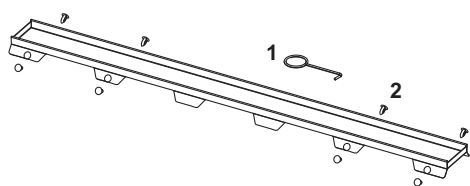
TECEdrainline shower channel, straight, with Seal System sealing tape

TECEdrainline shower channel, straight, with wall upstand and Seal System sealing tape



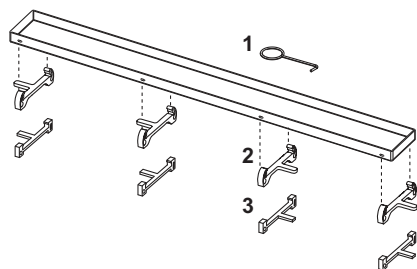
Pos.	Order No.	Designation	DU 1
1	668012	Immersion pipe seal	1 pc.
2	668013	Seal between channel and outlet, until 2015	1 pc.

TECEdrainline tileable channel "plate II", for shower channel, straight



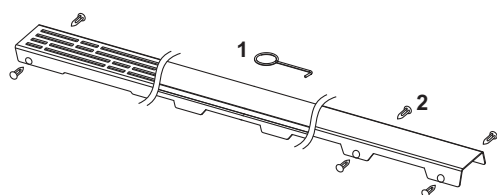
Pos.	Order No.	Designation	DU 1
1	668014	Lift tool	1 pc.
2	668016	Spacer clip	10 pc.

TECEdrainline tileable channel "plate", for shower channel, straight
 TECEdrainline tileable channel "plate", for 90° angled channel



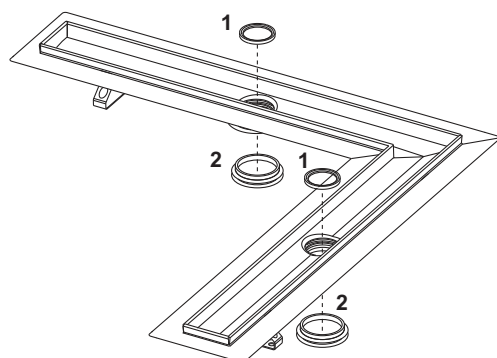
Pos.	Order No.	Designation	DU 1
1	668014	Lift tool	1 pc.
2	668020	Hollow feet, grey (from 08/2007)	1 pc.
3	668024	Hollow feet, stainless steel (until 08/2007)	1 pc.

TECEdrainline glass cover for shower channel, straight
 TECEdrainline design grate "steel II" polished or brushed stainless steel for shower channel, straight
 TECEdrainline design grate "basic" polished or brushed stainless steel for shower channel, straight
 TECEdrainline design grate "drops" polished or brushed stainless steel for shower channel, straight
 TECEdrainline design grate "quadratum" polished or brushed stainless steel for shower channel, straight
 TECEdrainline design grate "organic" polished or brushed stainless steel for shower channel, straight
 TECEdrainline design grate "steel II", polished stainless steel for 90° angled shower channel
 TECEdrainline design grate "basic", polished stainless steel for 90° angled shower channel



Pos.	Order No.	Designation	DU 1
1	668014	Lift tool	1 pc.
2	668016	Spacer clip	10 pc.

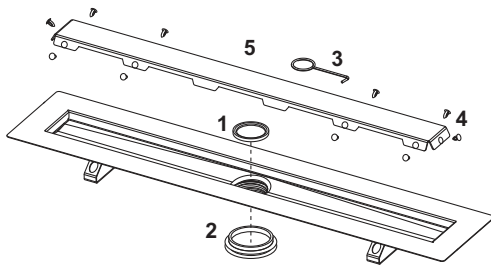
TECEdrainline angled channel with Seal System sealing tape



Pos.	Order No.	Designation	DU 1
1	668012	Immersion pipe seal	1 pc.
2	668013	Seal between channel and outlet, until 2015	1 pc.

TECEdrainline – Spare parts

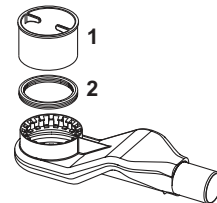
TECEdrainline shower channel for natural stone, straight, with Seal System sealing set and stainless steel support as a set



Pos.	Order No.	Designation	DU 1
1	668012	Immersion pipe seal	1 pc.
2	668013	Seal between channel and outlet, until 2015	1 pc.
3	668014	Lift tool	1 pc.
4	668016	Spacer clip	10 pc.
5	668026	Support sheet shower channel natural stone 700 mm	1 pc.
	668027	Support sheet shower channel natural stone 800 mm	1 pc.
	668028	Support sheet shower channel natural stone 900 mm	1 pc.
	668029	Support sheet shower channel natural stone 1000 mm	1 pc.
	668030	Support sheet shower channel natural stone 1200 mm	1 pc.
	668031	Support sheet shower channel natural stone 1500 mm	1 pc.

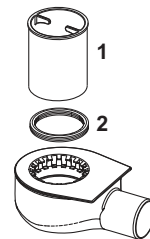
650004 – TECEdrainline drain "extra-flat", DN 40 side drain

Pos.	Order No.	Designation	DU 1
1	668025	Immersion tube (H = 25 mm) for outlet superflat	1 pc.
2	668032	Seal between channel and drain with grip claw, from 2015	1 pc.



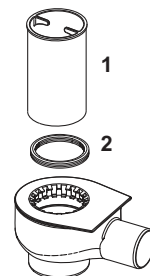
650000 – TECEdrainline drain "flat", DN 50 side drain

Pos.	Order No.	Designation	DU 1
1	668010	Immersion tube (H = 49 mm) for outlet flat	1 pc.
2	668032	Seal between channel and drain with grip claw, from 2015	1 pc.



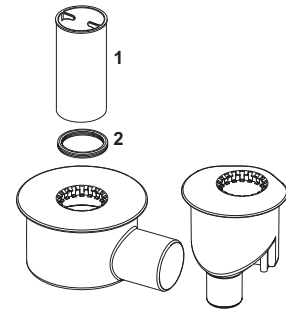
650001 – TECEdrainline drain "standard", DN 50 side drain

Pos.	Order No.	Designation	DU 1
1	668011	Immersion tube (H = 74 mm) for outlet standard	1 pc.
2	668032	Seal between channel and drain with grip claw, from 2015	1 pc.



650002 – TECEdrainline drain "max", DN 70 side drain
 650003 – TECEdrainline drain "vertical", DN 50

Pos.	Order No.	Designation	DU 1
1	668019	Immersion pipe (H = 94 mm) for outlet max and vertical	1 pc.
2	668032	Seal between channel and drain with grip claw, from 2015	1 pc.



TECEdrainline-Evo levelling points

NEW

Levelling points (left and right) for clipping and forming a wider screed drip edge for easier levelling.



Order No.	NEW	DU 1	DU 2
668034		1 pc.	40 pc.





Drainage Systems

TECEshowerline SHOWER CHANNELS

ASSORTMENT LIST 2021

	Page
Shower channel sets	298
Shower channel, straight	300
Design covers, straight	301
Accessories	302
Spare parts	303

TECEshowerline – Shower channel sets

TECEshowerline shower channel set

NEW

Straight stainless steel channel body for installation in the screed, for connection to a vertical drainage line DN 50.

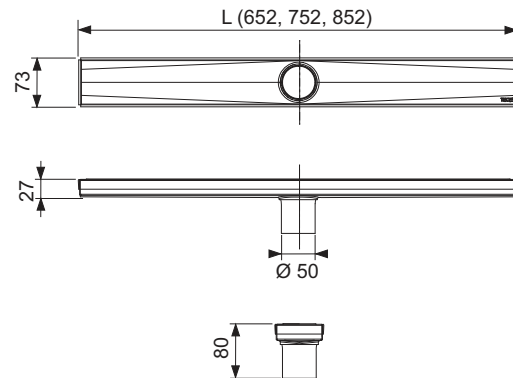
Consisting of:

- Channel body made of polished stainless steel, material 1.4301 (304)
- “2 in 1” turning grate
- Central channel support
- Odour trap and vermin barrier (pluggable)
- internal gradient for improved water drainage and self-cleaning effect

Visible width

after installation = 652, 752, ... mm

Width in unfinished state incl. flange = 73 mm



Nominal length	Total length L	Visible width after installation	Order No.	DU 1
700 mm	652 mm	652 mm	15201070	NEW 1 pc.
800 mm	752 mm	752 mm	15201080	NEW 1 pc.
900 mm	852 mm	852 mm	15201090	NEW 1 pc.

TECEshowerline shower channel for natural stone, straight, with stainless steel support as a set NEW

Straight channel body and support sheet for TECEshowerline shower channel, for installation in the screed, laying by the customer of large tiles/natural stone slabs, with flange for connection to a vertical drainage line DN 50.

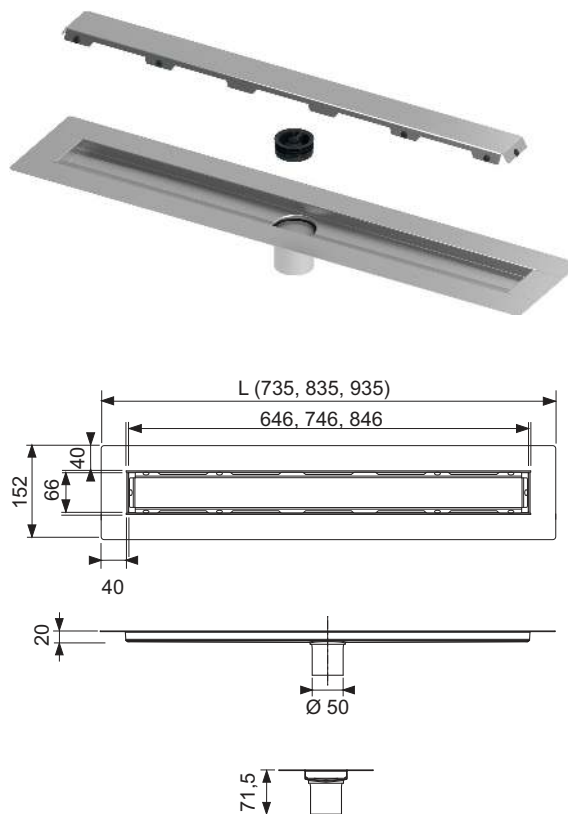
Consisting of:

- Channel body with flange made of polished stainless steel, material 1.4301 (304)
- Central channel support
- Odour trap and vermin barrier (pluggable)
- Internal incline for improved water drainage and self-cleaning effect
- Support sheet made of stainless steel – material 1.4301 (304) – for fitting in the channel body

Visible width

after installation = 626, 726, ... mm

Width in unfinished state incl. flange = 152 mm



Nominal length	Total length L	Support sheet length		Covering cut-out length		Visible width after installation	Order No.	DU 1
		L - 89	L - 87	L - 89	L - 87			
700 mm	735 mm	646 mm	648 mm	646 mm	648 mm	626 mm	15201072	NEW 1 pc.
800 mm	835 mm	746 mm	748 mm	746 mm	748 mm	726 mm	15201082	NEW 1 pc.
900 mm	935 mm	846 mm	848 mm	846 mm	848 mm	826 mm	15201092	NEW 1 pc.

TECEshowerline – Shower channel, straight

TECEshowerline shower channel

NEW

Straight stainless steel channel body for installation in the screed, for connection to a DN 50 drain pipe.

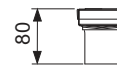
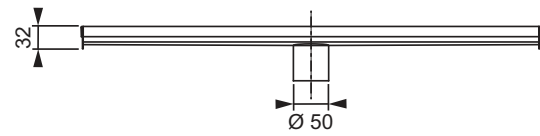
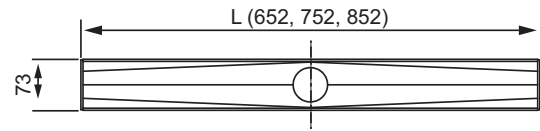
Consisting of:

- Channel body made of polished stainless steel, material 1.4301 (304)
- Central channel support
- Internal incline for improved water drainage and self-cleaning effect

Width in unfinished state incl. flange = 73 mm

Please order separately:

- Design grate or tileable channel



Nominal length	Total length L	Order No.		DU 1
700 mm	652 mm	15230070	NEW	1 pc.
800 mm	752 mm	15230080	NEW	1 pc.
900 mm	852 mm	15230090	NEW	1 pc.

TECEDrainline tileable channel "plate", for shower channel, straight

Tileable channel for TECEDrainline shower channel, for fitting into the channel body, made of stainless steel with polished visible edges. Maximum test load 300 kg based on load class K3. Tiles can be attached by the customer using elastic adhesive, e.g. silicon or epoxy resin adhesive.

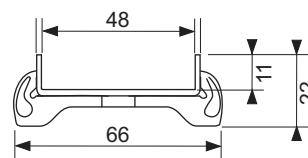
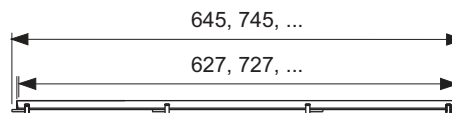
Caution:

Check the adhesive to ensure tile compatibility!

Nominal length	Surface	Order No.	DU 1
700 mm	polished	600770	1 pc.
800 mm	polished	600870	1 pc.
900 mm	polished	600970	1 pc.
1000 mm	polished	601070	1 pc.
1200 mm	polished	601270	1 pc.
1500 mm	polished	601570	1 pc.



Design "plate"



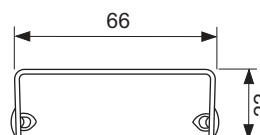
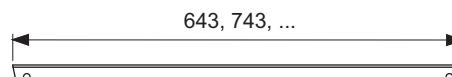
TECEDrainline design grate "basic" polished or brushed stainless steel for shower channel, straight

Design grate for TECEDrainline shower channel (straight), made of polished or brushed stainless steel, for fitting into the channel body, load capacity based on load class K3 – test load 300 kg.

Nominal length	Surface	Order No.	DU 1
700 mm	polished	600710	1 pc.
700 mm	brushed	600711	1 pc.
800 mm	polished	600810	1 pc.
800 mm	brushed	600811	1 pc.
900 mm	polished	600910	1 pc.
900 mm	brushed	600911	1 pc.
1000 mm	polished	601010	1 pc.
1000 mm	brushed	601011	1 pc.
1200 mm	polished	601210	1 pc.
1200 mm	brushed	601211	1 pc.
1500 mm	polished	601510	1 pc.
1500 mm	brushed	601511	1 pc.



Design "basic"



TECEshowerline – Accessories

TECEshowerline odour trap

NEW



Odour trap

- Shutoff against sewer gases and vermin
- Can be plugged into all TECEshowerline channel bodys
- Drainage capacity > 0.8 l/s (to EN 1253 with 10/20 mm build-up)

Order No.		DU 1	DU 2
15221000	NEW	1 pc.	150 pc.

TECE hair trap for shower channels

Hair trap made of stainless steel, for fitting into the channel body.



Order No.		DU 1	DU 2
660005		1 pc.	10 pc.

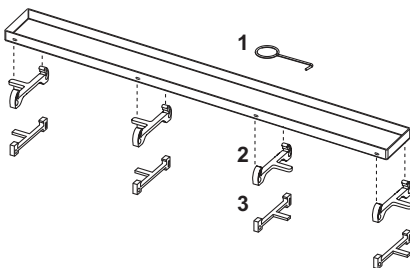
TECEshowerline shower channel set

Pos.	Order No.	Designation	DU 1
1	668014	Lift tool	1 pc.
2	668020	Hollow feet, grey (from 08/2007)	1 pc.

TECEshowerline shower channel for natural stone, straight, with stainless steel support as a set

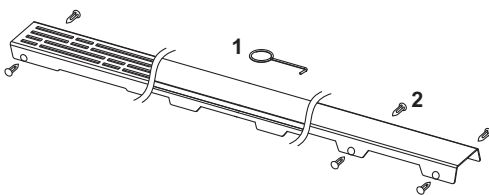
Pos.	Order No.	Designation	DU 1
1	668014	Lift tool	1 pc.
2	668020	Hollow feet, grey (from 08/2007)	1 pc.
3	668026	Support sheet shower channel natural stone 700 mm	1 pc.
	668027	Support sheet shower channel natural stone 800 mm	1 pc.
	668028	Support sheet shower channel natural stone 900 mm	1 pc.

TECEdrainline tileable channel "plate", for shower channel, straight



Pos.	Order No.	Designation	DU 1
1	668014	Lift tool	1 pc.
2	668020	Hollow feet, grey (from 08/2007)	1 pc.
3	668024	Hollow feet, stainless steel (until 08/2007)	1 pc.

TECEdrainline design grate "basic" polished or brushed stainless steel for shower channel, straight



Pos.	Order No.	Designation	DU 1
1	668014	Lift tool	1 pc.
2	668016	Spacer clip	10 pc.



Drainage Systems

TECEdrainpoint S POINT DRAINS

ASSORTMENT LIST 2021

	Page
Drain sets	308
Drains	313
Drain tops	317
Grates	323
Accessories	325
Spare parts	329
Drainage capacity values	331

An overview of valid Declaration of Performance (DOP) is available on our website www.tece.com.

TECEdrainpoint S – Drain sets

TECEdrainpoint S 50 drain set extra-flat

Drain set TECEdrainpoint S 50 horizontal, extra-flat DN 50.

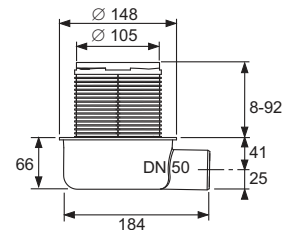
Consisting of:

- Drain body DN 50 horizontal, extra-flat, made of plastic (PP)
- Retaining edge
- With removable odour trap
- Reduced sealing water height = 30 mm
- Drain top with grate frame made of plastic (ABS) and o-ring seal
- TECEdrainpoint S design grate made of drawn stainless steel, material 1.4301 (304), dimensions 100 x 100 mm, polished surface, load class K3 (load bearing capacity up to 300 kg)

Drainage capacity to EN 1253 at 10/20 mm water level over grate:

- With minimum height of the drain top: 0.52/0.61 l/s
- With maximum height of the drain top: 0.69/1.12 l/s

Delivery incl. protective cap, foil for the construction site and assembly instructions.



Order No.	DU 1	DU 2
3601050	1 pc.	10 pc.

TECEdrainpoint S 110 drain set extra-flat with Seal System universal flange*

Floor drain set TECEdrainpoint S 110 horizontal, extra-flat DN 50.

Consisting of:

- Drain body DN 50 horizontal, extra-flat, made of plastic (PP)
- With universal flange for connection of composite seals in accordance with DIN 18534 or clamped flange connections
- With integrated ball joint
- With lateral inflow DN 40 incl. closure plug
- With removable odour trap
- Discharge capacity from 0.62 to 0.98 l/s
- Reduced sealing water height = 30 mm
- Drain top with grate frame made of plastic (ABS) and O-ring seal
- TECEdrainpoint S design grate made of drawn stainless steel, material 1.4301 (304), dimensions 100 x 100 mm, polished surface, load class K3 (load up to 300 kg)

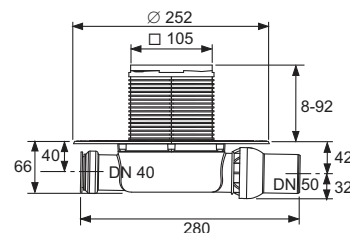
Drainage capacity to EN 1253 at 10/20 mm water level over grate:

- With minimum height of the drain top: 0.52/0.61 l/s
- With maximum height of the drain top: 0.69/1.12 l/s

Delivery incl. protective cap, protective foil for on-site protection during construction, and assembly instructions.

Please order separately – depending on seal type:

- Seal System sealing sleeve for the execution of an independently tested connection to the composite seal
- Compression ring set and cut-to-size sealing foil for clamped flange connections



Order No.	DU 1	DU 2
3601100	1 pc.	10 pc.

TECEdrainpoint S 112 drain set extra-flat with Seal System universal flange and stainless steel grate frame*

Floor drain set TECEdrainpoint S 112 horizontal, extra-flat DN 50, stainless steel grate frame with stainless steel grate and two-stage membrane odour trap.

Consisting of:

- Drain body DN 50 horizontal, extra-flat, made of plastic (PP)
- With universal flange for connection of composite seals in accordance with DIN 18534 or clamped flange connections
- With integrated ball joint
- With lateral inflow DN 40 incl. closure plug
- With removable 2-stage membrane odour trap
- 20 mm sealing water and additional sealing lip membrane
- Drain top with grate frame made of plastic (ABS) and O-ring seal
- Grate frame made of drawn stainless steel, material 1.4301 (304), for grate dimensions 100 x 100 mm
- TECEdrainpoint S design grate made of drawn stainless steel, material 1.4301 (304), dimensions 100 x 100 mm, polished surface, load class K3 (load up to 300 kg)

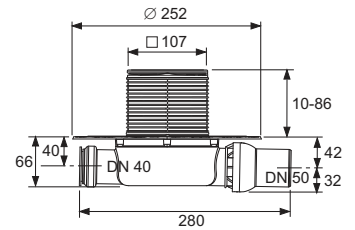
Drainage capacity to EN 1253 at 10/20 mm water level over grate:

- With minimum height of the drain top: 0.51/0.61 l/s
- With maximum height of the drain top: 0.56/1.23 l/s

Delivery incl. protective cap, protective foil for on-site protection during construction, and assembly instructions.

Please order separately – depending on seal type:

- Seal System sealing sleeve for the execution of an independently tested connection to the composite seal
- Compression ring set and cut-to-size sealing foil for clamped flange connections



Order No.	DU 1	DU 2
3601102	1 pc.	10 pc.

TECEdrainpoint S – Drain sets

TECEdrainpoint S 120 drain set standard with Seal System universal flange*

Floor drain set TECEdrainpoint S 120 horizontal, standard DN 50, tested to EN 1253.

Consisting of:

- Drain body DN 50 horizontal, extra-flat, made of plastic (PP)
- With universal flange for connection of composite seals in accordance with DIN 18534 or clamped flange connections
- With integrated ball joint
- With lateral inflow DN 40 incl. closure plug
- With removable odour trap
- Sealing water height = 50 mm to EN 1253
- Drain top with grate frame made of plastic (ABS) and O-ring seal
- TECEdrainpoint S design grate made of drawn stainless steel, material 1.4301 (304), dimensions 100 x 100 mm, polished surface, load class K3 (load up to 300 kg)

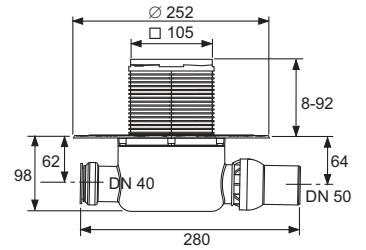
Drainage capacity to EN 1253 at 10/20 mm water level over grate:

- With minimum height of the drain top: 0.52/0.89 l/s
- With maximum height of the drain top: 0.64/1.35 l/s

Delivery incl. protective cap, protective foil for on-site protection during construction, and assembly instructions.

Please order separately – depending on seal type:

- Seal System sealing sleeve for the execution of an independently tested connection to the composite seal
- Compression ring set and cut-to-size sealing foil for clamped flange connections



Order No.	DU 1	DU 2
3601200	1 pc.	10 pc.

TECEdrainpoint S 122 drain set standard with Seal System universal flange and stainless steel grate frame*

Floor drain set TECEdrainpoint S 122 horizontal, DN 50, stainless steel grate frame with stainless steel grate and 2-stage membrane odour trap.

Consisting of:

- Drain body DN 50 horizontal, made of plastic (PP)
- With universal flange for connection of composite seals in accordance with DIN 18534 or clamped flange connections
- With integrated ball joint
- With lateral inflow DN 40 incl. closure plug
- With removable 2-stage membrane odour trap
- 50 mm sealing water and additional sealing lip membrane
- Drain top with grate frame made of plastic (ABS) and O-ring seal
- Grate frame made of drawn stainless steel, material 1.4301 (304), for grate dimensions 100 x 100 mm
- TECEdrainpoint S design grate made of drawn stainless steel, material 1.4301 (304), dimensions 100 x 100 mm, polished surface, load class K3 (load up to 300 kg)

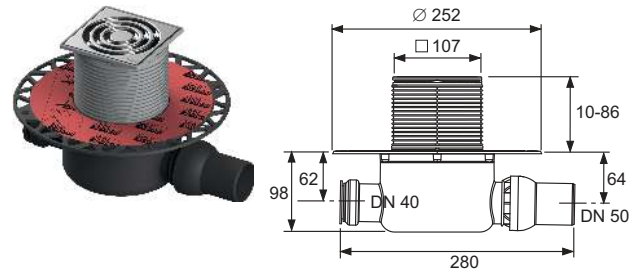
Drainage capacity to EN 1253 at 10/20 mm water level over grate:

- With minimum height of the drain top: 0.54/0.85 l/s
- With maximum height of the drain top: 0.71/1.35 l/s

Delivery incl. protective cap, protective foil for on-site protection during construction, and assembly instructions.

Please order separately – depending on seal type:

- Seal System sealing sleeve for the execution of an independently tested connection to the composite seal
- Compression ring set and cut-to-size sealing foil for clamped flange connections



Order No.	DU 1	DU 2
3601202	1 pc.	10 pc.

TECEdrainpoint S – Drain sets

TECEdrainpoint S 130 drain set vertical with Seal System universal flange*

Floor drain set TECEdrainpoint S 130 vertical DN 50, tested to EN 1253.

Consisting of:

- Drain body DN 50 vertical, made of plastic (PP)
- With universal flange for connection of composite seals in accordance with DIN 18534 or clamped flange connections
- With removable odour trap
- Sealing water height = 50 mm to EN 1253
- Drain top with grate frame made of plastic (ABS) and O-ring seal
- TECEdrainpoint S design grate made of drawn stainless steel, material 1.4301 (304), dimensions 100 x 100 mm, polished surface, load class K3 (load up to 300 kg)

Drainage capacity to EN 1253 at 10/20 mm water level over grate:

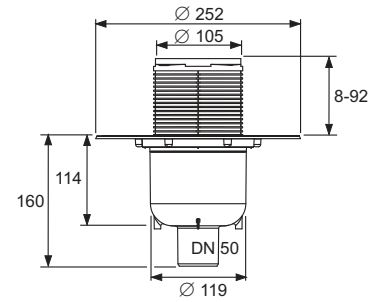
- With minimum height of the drain top: 0.64/1.36 l/s
- With maximum height of the drain top: 0.70/1.56 l/s

Delivery incl. protective cap, protective foil for on-site protection during construction, and assembly instructions.

Required core drill hole: Diameter 120 mm

Please order separately – depending on seal type:

- Seal System sealing sleeve for the execution of an independently tested connection to the composite seal
- Compression ring set and cut-to-size sealing foil for clamped flange connections



Order No.	DU 1	DU 2
3601300	1 pc.	10 pc.

TECEdrainpoint S 114 drain set extra-flat with factory-fitted Seal System sealing sleeve*

Floor drain set TECEdrainpoint S 114 horizontal, extra-flat DN 50, with sound-insulated assembly element, drain top with plastic grate frame and factory-fitted Seal System sealing sleeve.

Consisting of:

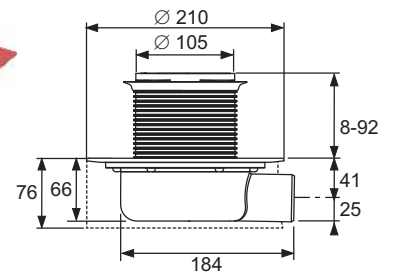
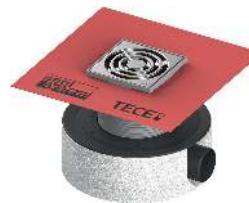
- Drain body DN 50 horizontal, super-flat made of plastic (PP), with clamping flange for connecting sealing foils made of plastic or elastomers
- Reduced sealing water height = 30 mm
- With removable 2-stage membrane odour trap
- Mounting element with attachments for sound-insulated mounting on the bare concrete floor
- Drain top with grate frame made of plastic (ABS) with factory-fitted sealing sleeve with Seal System for connection of composite seals to DIN 18534
- TECEdrainpoint S design grate made of drawn stainless steel, material 1.4301 (304), dimensions 100 x 100 mm, polished surface, load class K3 (load-bearing capacity up to 300 kg)
- Formwork element made of EPS as placeholder for the drain top for using when laying the screed
- For floor coverings from 8 to 25 mm (incl. adhesive bed)

Drainage capacity in accordance with EN 1253 at 10/20 mm accumulation height over grate:

- at minimal height of the drain top: 0.47/0.54 l/s
- with maximum height of the drain top: 0.65/0.88 l/s

Please order separately:

- Compression ring set and cut-to-size sealing foil for adhesive flange connections (optional)



Order No.	DU 1
3601104	1 pc.

TECEdrainpoint S drain DN 50 extra-flat with Seal System universal flange*

TECEdrainpoint S DN 50 floor drain, horizontal, extra-flat, made of plastic (PP).

- With universal flange for connection of composite seals in accordance with DIN 18534 or clamped flange connections
- With ball joint
- With lateral inflow DN 40 including closure plug
- With removable odour trap
- Reduced sealing water height = 30 mm

Drainage capacity to EN 1253 at 10/20 mm water level over grate:

- With minimum height of the drain top: 0.52/0.61 l/s
- With maximum height of the drain top: 0.69/1.12 l/s

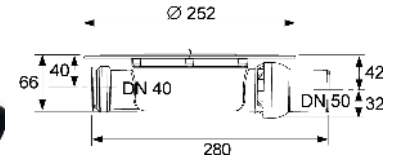
Delivery includes protective cap, protective foil for on-site protection during construction and assembly instructions.

Please order separately – depending on seal type:

- Seal System sealing sleeve for the execution of an independently tested connection to the composite seal
- Compression ring set and cut-to-size sealing foil for clamped flange connections

Note:

Drainage capacity values measured with drain top and design grate 100 mm (Order No. 3660001), for further drain capacity values see the relevant chapter.



Order No.	DU 1
3601400	1 pc.

TECEdrainpoint S drain DN 50 terrace with Seal System universal flange*

Floor drain TECEdrainpoint S DN 50 as terrace or balcony drain, horizontal, extra-flat, made of plastic (PP).

- With universal flange for connection of composite seals in accordance with DIN 18534 or clamped flange connections
- Without odour trap

Drainage capacity to EN 1253 at 10/20 mm water level over grate:

- With minimum height of the drain top: 0.66/1.22 l/s
- With maximum height of the drain top: 0.50/1.51 l/s

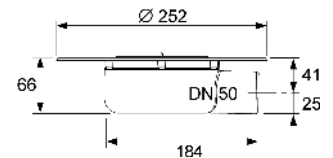
Delivery incl. protective cap, protective foil for on-site protection during construction, and assembly instructions.

Please order separately – depending on seal type:

- Seal System sealing sleeve for the execution of a tested and certified connection to the composite seal
- Compression ring set and cut-to-size sealing foil for clamped flange connections

Note:

Drainage capacity values measured with drain top and design grate 100 mm (Order No. 3660001), for further drain capacity values see the relevant chapter.



Order No.	DU 1
3601401	1 pc.

TECEdrainpoint S – Drains

TECEdrainpoint S drain DN 50 standard with Seal System universal flange*

Floor drain TECEdrainpoint S DN 50 horizontal, standard, made of plastic (PP), tested to EN 1253.

- With universal flange for connection of composite seals in accordance with DIN 18534 or clamped flange connections
- With lateral inflow DN 40 including closure plug
- With removable odour trap
- Sealing water height = 50 mm to EN 1253

Drainage capacity to EN 1253 at 10/20 mm water level over grate:

- With minimum height of the drain top: 0.52/0.89 l/s
- With maximum height of the drain top: 0.64/1.35 l/s

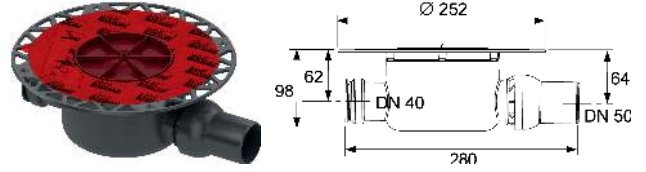
Delivery incl. protective cap, protective foil for on-site protection during construction, and assembly instructions.

Please order separately – depending on seal type:

- Seal System sealing sleeve for the execution of a tested and certified connection to the composite seal
- Compression ring set and cut-to-size sealing foil for clamped flange connections

Note:

Drainage capacity values measured with drain top and design grate 100 mm (Order No. 3660001), for further drain capacity values see the relevant chapter.



Order No.	DU 1
3601500	1 pc.

TECEdrainpoint S drain DN 50 vertical with Seal System universal flange*

Floor drain TECEdrainpoint S DN 50 vertical, standard, made of plastic (PP), tested to EN 1253.

- With universal flange for connection of composite seals in accordance with DIN 18534 or clamped flange connections
- With removable odour trap
- Sealing water height = 50 mm to EN 1253

Drainage capacity to EN 1253 at 10/20 mm water level over grate:

- With minimum height of the drain top: 0.64/1.36 l/s
- With maximum height of the drain top: 0.70/1.56 l/s

Delivery incl. protective cap, protective foil for on-site protection during construction, and assembly instructions.

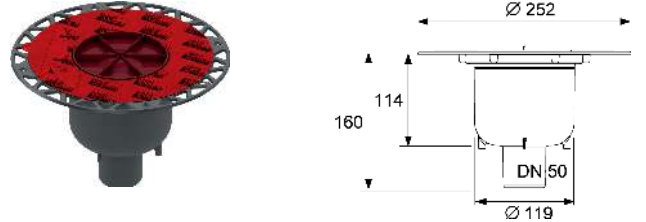
Required core drill hole: Diameter 120 mm

Please order separately – depending on seal type:

- Seal System sealing sleeve for the execution of a tested and certified connection to the composite seal
- Compression ring set and cut-to-size sealing foil for clamped flange connections

Note:

Drainage capacity values measured with drain top and design grate 100 mm (Order No. 3660001), for further drain capacity values see the relevant chapter.



Order No.	DU 1
3601600	1 pc.

TECEdrainpoint S drain DN 70 with Seal System universal flange*

Floor drain TECEdrainpoint S DN 70 horizontal, standard, made of plastic (PP), tested to EN 1253.

- With universal flange for connection of composite seals in accordance with DIN 18534 or clamped flange connections
- With lateral inflow DN 50 incl. closure plug
- With removable odour trap
- Sealing water height = 50 mm to EN 1253

Drainage capacity to EN 1253 at 10/20 mm water level over grate:

- With minimum height of the drain top: 0.62/1.22 l/s
- With maximum height of the drain top: 0.87/1.74 l/s

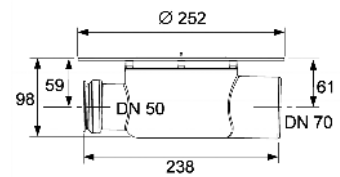
Delivery incl. protective cap, protective foil for on-site protection during construction, and assembly instructions.

Please order separately – depending on seal type:

- Seal System sealing sleeve for the execution of a tested and certified connection to the composite seal
- Compression ring set and cut-to-size sealing foil for clamped flange connections

Note:

Drainage capacity values measured with drain top and design grate 150 mm (Order No. 3660003), for further drain capacity values see the relevant chapter.



Order No.	DU 1
3603500	1 pc.

TECEdrainpoint S drain DN 70 vertical with Seal System universal flange*

Floor drain TECEdrainpoint S DN 70 vertical, standard, made of plastic (PP), tested to EN 1253.

- With universal flange for connection of composite seals in accordance with DIN 18534 or clamped flange connections
- With removable odour trap
- Sealing water height = 50 mm to EN 1253

Drainage capacity to EN 1253 at 10/20 mm water level over grate:

- With minimum height of the drain top: 0.47/1.81 l/s
- With maximum height of the drain top: 0.63/1.84 l/s

Delivery incl. protective cap, protective foil for on-site protection during construction, and assembly instructions.

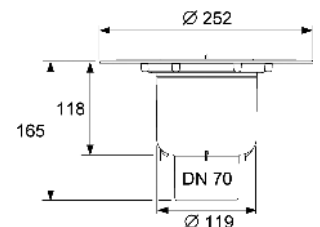
Required core drill hole: Diameter 122 mm

Please order separately – depending on seal type:

- Seal System sealing sleeve for the execution of a tested and certified connection to the composite seal
- Compression ring set and cut-to-size sealing foil for clamped flange connections

Note:

Drainage capacity values measured with drain top and design grate 150 mm (Order No. 3660003), for further drain capacity values see the relevant chapter.



Order No.	DU 1
3603600	1 pc.

TECEdrainpoint S – Drains

TECEdrainpoint S drain DN 100 with Seal System universal flange*

Floor drain TECEdrainpoint S DN 100 horizontal, standard, made of plastic (PP), tested to EN 1253.

- With universal flange for connection of composite seals in accordance with DIN 18534 or clamped flange connections
- With lateral inflow DN 50 incl. closure plug
- With removable odour trap
- Sealing water height = 50 mm to EN 1253

Drainage capacity to EN 1253 at 10/20 mm water level over grate:

- With minimum height of the drain top: 0.90/1.61 l/s
- With maximum height of the drain top: 0.86/2.03 l/s

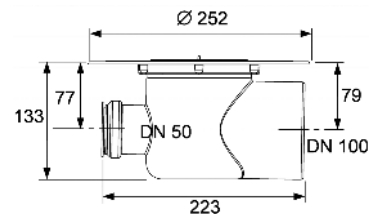
Delivery incl. protective cap, protective foil for on-site protection during construction, and assembly instructions.

Please order separately – depending on seal type:

- Seal System sealing sleeve for the execution of a tested and certified connection to the composite seal
- Compression ring set and cut-to-size sealing foil for clamped flange connections

Note:

Drainage capacity values measured with drain top and design grate 150 mm (Order No. 3660003), for further drain capacity values see the relevant chapter.



Order No.	DU 1
3607500	1 pc.

TECEdrainpoint S drain DN 100 vertical with Seal System universal flange*

Floor drain TECEdrainpoint S DN 100 vertical, standard, made of plastic (PP), tested to EN 1253.

- With universal flange for connection of composite seals in accordance with DIN 18534 or clamped flange connections
- With removable odour trap
- Sealing water height = 50 mm to EN 1253

Drainage capacity to EN 1253 at 10/20 mm water level over grate:

- With minimum height of the drain top: 0.76/1.42 l/s
- With maximum height of the drain top: 0.80/2.10 l/s

Delivery incl. protective cap, protective foil for on-site protection during construction, and assembly instructions.

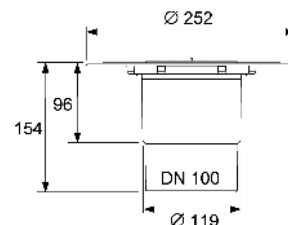
Required core drill hole: Diameter 132 mm

Please order separately – depending on seal type:

- Seal System sealing sleeve for the execution of an independently tested connection to the composite seal
- Compression ring set and cut-to-size sealing foil for clamped flange connections

Note:

Drainage capacity values measured with drain top and design grate 150 mm (Order No. 3660003), for further drain capacity values see the relevant chapter.

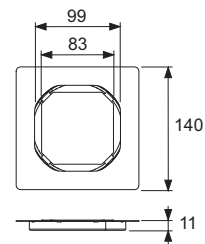


Order No.	DU 1
3607600	1 pc.

TECEdrainpoint S grate frame stainless steel, 100 mm, frameless tile base

Set consisting of tileable drain top and tileable frameless base, 100 x 100 mm made of stainless steel.

- Outer diameter = 110 mm
- Height = 1 mm (suitable for all tile/natural stone thicknesses)
- Grate frame made of drawn stainless steel material 1.4301 (304)
- Frameless tile base made of stainless steel, material 1.4301 (304), dimensions 83 x 83 mm, polished surface, load class K3 (load up to 300 kg)



Order No.

DU 1

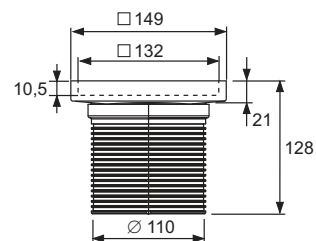
3660016

1 pc.

TECEdrainpoint S grate frame stainless steel, 150 mm, design "plate"

Set consisting of drain top with stainless steel grate frame and tileable channel "plate", 142 x 142 mm.

- Drain top made of plastic (ABS)
- O-ring seal
- Outer diameter = 110 mm
- Height adjustment = 23-118 mm
- Inner height of tileable insert = 10.5 mm
- Grate frame made of drawn stainless steel, material 1.4301 (304)
- Tileable channel plate made of stainless steel, material 1.4301 (304), dimensions 142 x 142 mm, polished surface, load class K3 (load up to 300 kg)



Order No.

DU 1

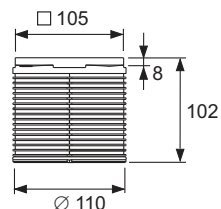
3660011

1 pc.

TECEdrainpoint S grate frame plastic, 100 mm, incl. design grate

Set consisting of drain top with grate frame (plastic) and TECEdrainpoint S design grate 100 x 100 mm.

- Drain top with grate frame made of plastic (ABS)
- O-ring seal
- Outer diameter = 110 mm
- Height adjustment = 10-92 mm
- TECEdrainpoint S design grate made of drawn stainless steel, material 1.4301 (304), dimensions 100 x 100 mm, polished surface, load class K3 (load up to 300 kg)



Order No.

DU 1

3660001

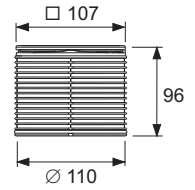
1 pc.

TECEdrainpoint S – Drain tops

TECEdrainpoint S grate frame stainless steel, 100 mm, incl. design grate

Set consisting of drain top with grate frame (stainless steel) and TECEdrainpoint S design grate 100 x 100 mm.

- Drain top made of plastic (ABS)
- O-ring seal
- Outer diameter = 110 mm
- Height adjustment = 10-86 mm
- Grate frame made of drawn stainless steel, material 1.4301 (304)
- TECEdrainpoint S design grate made of drawn stainless steel, material 1.4301 (304), dimensions 100 x 100 mm, polished surface, load class K3 (load up to 300 kg)

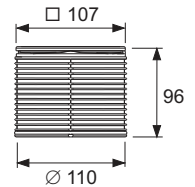


Order No.	DU 1
3660002	1 pc.

TECEdrainpoint S grate frame stainless steel, 100 mm, incl. design grate, screw-down

Set consisting of drain top with grate frame (stainless steel) and TECEdrainpoint S design grate 100 x 100 mm.

- Drain top made of plastic (ABS)
- O-ring seal
- Outer diameter = 110 mm
- Height adjustment = 10-86 mm
- Grate frame made of drawn stainless steel, material 1.4301 (304)
- TECEdrainpoint S design grate made of drawn stainless steel, material 1.4301 (304), dimensions 100 x 100 mm, polished surface, load class K3 (load up to 300 kg)
- Two stainless steel countersunk screws

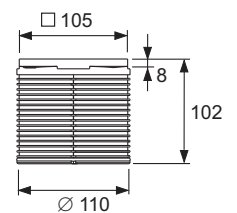


Order No.	DU 1
3660009	1 pc.

TECEdrainpoint S grate frame plastic, 100 mm, incl. design grate, with factory fitted Seal System sealing sleeve*

Drain top with grate frame made of plastic and factory-fitted Seal System sealing sleeve, for establishing a DIN 18534-compliant connection to the composite seal and TECEdrainpoint S design grate 100 x 100 mm.

- Drain top with grate frame made of plastic (ABS)
- O-ring seal
- Factory-fitted sealing sleeve with Seal System
- Outer diameter = 110 mm
- Height adjustment = 10-92 mm
- TECEdrainpoint S design grate made of drawn stainless steel, material 1.4301 (304), dimensions 100 x 100 mm, polished surface, load class K3 (load-bearing capacity up to 300 kg)
- Formwork element made of EPS as placeholder for the drain top to use when laying the screed
- For floor coverings from 8 to 25 mm (incl. glue bed)

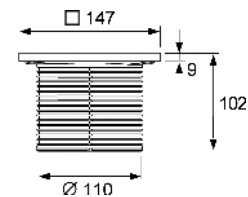


Order No.	DU 1
3660020	1 pc.

TECEdrainpoint S grate frame plastic, 150 mm, incl. design grate

Set consisting of drain top with grate frame (plastic) and TECEdrainpoint S design grate 142 x 142 mm.

- Drain top with grate frame made of plastic (ABS)
- O-ring seal
- Outer diameter = 110 mm
- Height adjustment = 12-92 mm
- TECEdrainpoint S design grate made of drawn stainless steel, material 1.4301 (304), dimensions 142 x 142 mm, polished surface, load class K3 (load up to 300 kg)

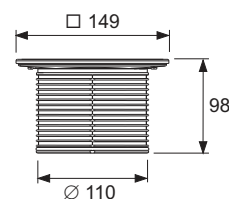


Order No.	DU 1
3660003	1 pc.

TECEdrainpoint S grate frame stainless steel, 150 mm, incl. design grate

Set consisting of drain top with grate frame (stainless steel) and TECEdrainpoint S design grate 142 x 142 mm.

- Drain top made of plastic (ABS)
- O-ring seal
- Outer diameter = 110 mm
- Height adjustment = 12-88 mm
- Grate frame made of drawn stainless steel, material 1.4301 (304)
- TECEdrainpoint S design grate made of drawn stainless steel, material 1.4301 (304), dimensions 142 x 142 mm, polished surface, load class K3 (load up to 300 kg)

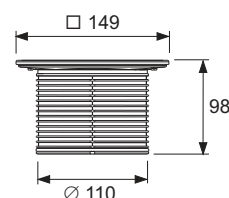


Order No.	DU 1
3660004	1 pc.

TECEdrainpoint S grate frame stainless steel, 150 mm, incl. design grate, screw-down

Set consisting of drain top with grate frame (stainless steel) and TECEdrainpoint S design grate 142 x 142 mm.

- Drain top made of plastic (ABS)
- O-ring seal
- Outer diameter = 110 mm
- Height adjustment = 12-88 mm
- Grate frame made of drawn stainless steel, material 1.4301 (304)
- TECEdrainpoint S design grate made of drawn stainless steel, material 1.4301 (304), dimensions 142 x 142 mm, polished surface, load class K3 (load up to 300 kg)
- Two stainless steel countersunk screws



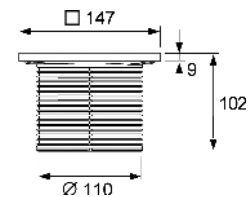
Order No.	DU 1
3660010	1 pc.

TECEdrainpoint S – Drain tops

TECEdrainpoint S grate frame plastic, 150 mm, incl. design grate, with factory fitted Seal System sealing sleeve*

Drain top with grate frame made of plastic and factory-fitted Seal System sealing sleeve, for establishing a DIN 18534-compliant connection to the composite seal and TECEdrainpoint S design grate 142 x 142 mm.

- Drain top with grate frame made of plastic (ABS)
- O-ring seal
- Factory-fitted sealing sleeve with Seal System
- Outer diameter = 110 mm
- Height adjustment = 12-92 mm
- TECEdrainpoint S design grate made of drawn stainless steel, material 1.4301 (304), dimensions 142 x 142 mm, polished surface, load class K3 (load-bearing capacity up to 300 kg)
- Formwork element made of EPS as placeholder for the drain top to use when laying the screed
- For floor coverings from 8 to 25 mm (incl. glue bed)

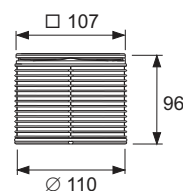


Order No.	DU 1
3660021	1 pc.

TECEdrainpoint S grate frame stainless steel, 100 mm, incl. design grate "quadratum"

Set drain top with stainless steel grate frame and "quadratum" design grate 100 x 100 mm.

- Drain top made of plastic (ABS)
- O-ring seal
- Outer diameter = 110 mm
- Height adjustment = 10-86 mm
- Grate frame made of drawn stainless steel, material 1.4301 (304)
- Design grate "quadratum" made of stainless steel, material 1.4301 (304), dimensions 100 x 100 mm, polished surface, load class L 15 (load up to 1500 kg)
- Slip resistance evaluation group B for wet loaded barefoot areas, according to DIN 51097

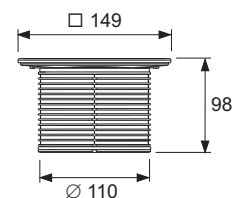


Order No.	DU 1
3660007	1 pc.

TECEdrainpoint S grate frame stainless steel, 150 mm, incl. design grate "quadratum"

Set drain top with stainless steel grate frame and "quadratum" design grate 142 x 142 mm.

- Drain top made of plastic (ABS)
- O-ring seal
- Outer diameter = 110 mm
- Height adjustment = 12-88 mm
- Grate frame made of drawn stainless steel, material 1.4301 (304)
- Design grate "quadratum" made of stainless steel, material 1.4301 (304), dimensions 142 x 142 mm, polished surface, load class L 15 (load up to 1500 kg)
- Slip resistance evaluation group B for wet loaded barefoot areas, according to DIN 51097

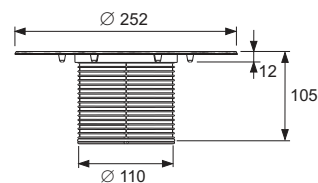


Order No.	DU 1
3660008	1 pc.

TECEdrainpoint S raising element with Seal System universal flange*

Drain top made of plastic with universal flange made of plastic (PP) for composite or clamped flange seals.

- With universal flange to connect composite seals according to DIN 18534 or adhesive flange connections
- Incl. O-ring seal
- Outer diameter = 110 mm
- Height adjustment = 12-95 mm



Order No.

3660005

DU 1

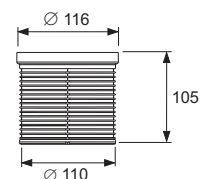
1 pc.



TECEdrainpoint S extension

Drain top extension made of plastic (ABS).

- With O-ring seal
- Outer diameter = 110 mm
- Height adjustment = 14-95 mm



Order No.

3660006

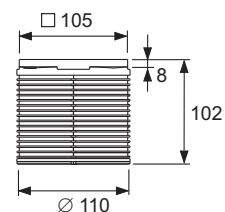
DU 1

1 pc.

TECEdrainpoint S grate frame plastic, 100 mm, without grate

Consisting of drain top with grate frame (plastic) without grate.

- Drain top with grate frame made of plastic (ABS)
- O-ring seal
- Outer diameter = 110 mm
- Height adjustment range = 10-92 mm



Order No.

3660018

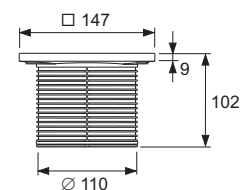
DU 1

1 pc.

TECEdrainpoint S grate frame plastic, 150 mm, without grate

Drain top with grate frame (plastic) without grate.

- Drain top made of plastic (ABS)
- O-ring seal
- Outer diameter = 110 mm
- Height adjustment range = 10-92 mm



Order No.

3660019

DU 1

1 pc.

TECEdrainpoint S – Drain tops

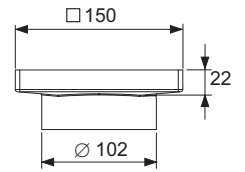
TECEshowerpoint grate frame stainless steel, 150 mm, design "plate" **NEW**

Set consisting of drain top with stainless steel grate frame and tileable recess "plate", 142 x 142 mm to mount directly to a DN 100 mm drain pipe.

- Grate frame outer dimensions = 149 x 149 mm
- Outlet outer diameter = 102 mm
- Grate frame height (inserted) = 23 mm
- Inner height of tileable insert = 10.5 mm
- Grate frame made of drawn stainless steel, material 1.4301 (304)
- Tileable channel plate made of stainless steel, material 1.4301 (304), dimensions 142 x 142 mm, polished surface, load class K3 (load up to 300 kg)

Caution:

Not compatible with other TECEdrainpoint S products



Order No.		DU 1
3660013	NEW	1 pc.

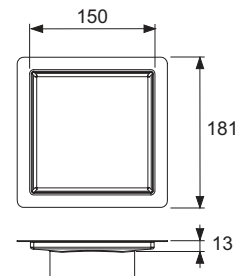
TECEshowerpoint grate frame stainless steel, 150 mm, frameless tile **NEW** base

Set consisting of stainless steel top with frameless tile support, 150 x 150 mm to mount directly to a DN 100 mm drain pipe.

- Outer diameter = 102 mm
- Height = 2 mm (suitable for all tile/natural stone thicknesses)
- Grate frame made of drawn stainless steel
- Frameless tile base made of stainless steel, dimensions 134 x 134 mm, polished surface

Caution:

Not compatible with other TECEdrainpoint S products

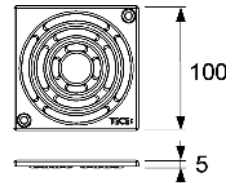


Order No.		DU 1
3660014	NEW	1 pc.

TECEdrainpoint S design grate stainless steel, 100 mm, screw-down

Design grate TECEdrainpoint S 100 x 100 mm made of drawn stainless steel, material 1.4301 (304), screw-down.

- Dimensions = 100 x 100 mm (outer dimensions)
- Polished surface
- Load class K3 (load up to 300 kg)
- Incl. two stainless steel countersunk screws and self-cutting threaded bushes

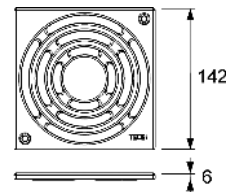


Order No.	DU 1
3665000	1 pc.

TECEdrainpoint S design grate stainless steel, 150 mm, screw-down

Design grate TECEdrainpoint S 142 x 142 mm made of drawn stainless steel, material 1.4301 (304), screw-down.

- Dimensions = 142 x 142 mm (outer dimensions)
- Polished surface
- Load class K3 (load up to 300 kg)
- Incl. two stainless steel countersunk screws and self-cutting threaded bushes

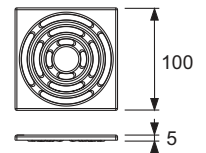


Order No.	DU 1
3665001	1 pc.

TECEdrainpoint S design grate stainless steel, 100 mm

Design grate TECEdrainpoint S 100 x 100 mm made of drawn stainless steel, material 1.4301 (304).

- Dimensions = 100 x 100 mm (outer dimensions)
- Polished surface
- Load class K3 (load up to 300 kg)

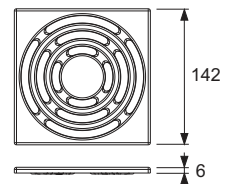


Order No.	DU 1
3665002	1 pc.

TECEdrainpoint S design grate stainless steel, 150 mm

Design grate TECEdrainpoint S 142 x 142 mm made of drawn stainless steel, material 1.4301 (304).

- Dimensions = 142 x 142 mm (outer dimensions)
- Polished surface
- Load class K3 (load up to 300 kg)



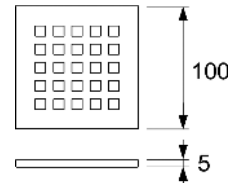
Order No.	DU 1
3665003	1 pc.

TECEdrainpoint S – Grates

TECEdrainpoint S design grate "quadratum" stainless steel, 100 mm

Design grate "quadratum" TECEdrainpoint S 100 x 100 mm, made of stainless steel, material 1.4301 (304).

- Dimensions = 100 x 100 mm (outer dimensions)
- Polished surface
- Load class L15 (load up to 1500 kg)
- Slip resistance evaluation group B for wet loaded barefoot areas, according to DIN 51097

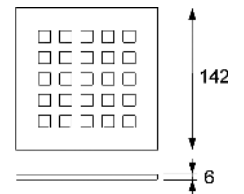
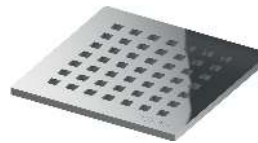


Order No.	DU 1
3665006	1 pc.

TECEdrainpoint S design grate "quadratum" stainless steel, 150 mm

Design grate "quadratum" TECEdrainpoint S 142 x 142 mm, made of stainless steel, material 1.4301 (304).

- Dimensions = 142 x 142 mm (outer dimensions)
- Polished surface
- Load class L15 (load up to 1500 kg)
- Slip resistance evaluation group B for wet loaded barefoot areas, according to DIN 51097



Order No.	DU 1
3665009	1 pc.

TECEDrainpoint S fire protection set FireStop EI 120 DN 50

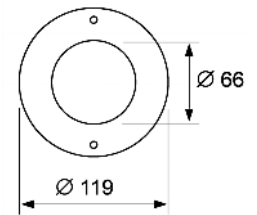
Fire protection set for direct installation at the drain. TECEDrainpoint S DN 50 drain vertical for highly fire resistant partitioning of ceiling bushings in solid ceilings for up to 120 minutes. Classification in accordance with EN 13501 for fire resistance class EI 120, European technical approval (ETA-11/0437).

Set consists of fire protection sleeve, 2 cross-recessed screws, identification plate and 150 mm DN 50 PP-HT pipe to EN 1451.

Required core drill hole: Diameter 120 mm (min = 119 mm, max = 123 mm)

Application area: solid ceilings from 150-325 mm ceiling thickness

No grouting or filling of the gap is necessary.



Order No.	DU 1	DU 2
3690050	1 pc.	50 pc.

TECEDrainpoint S fire protection sleeve DN 70/DN 100

Fire protection sleeve for assembly under the ceiling, using vertical TECEDrainpoint S floor drains DN 70 and DN 100 together with a PP-HT drain pipe in accordance with EN 1451. For highly fire resistant partitioning of the ceiling bushing in solid ceilings for up to 120 minutes.

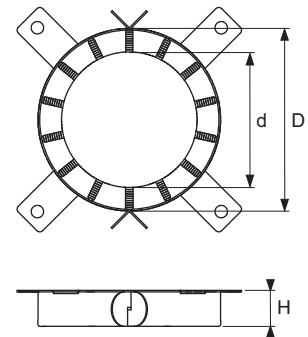
Classification in accordance with EN 13501 for fire protection class EI 120-U/U, European Technical Approval (ETA-18/0537).

Required core drill hole:

- DN 70: diameter 122 mm
- DN 100: diameter 132 mm

Application area: solid ceilings \geq 200 mm ceiling thickness

No grouting or filling of the gap is necessary.



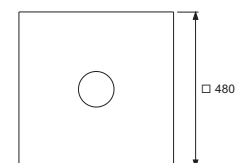
Version	D	d	H	Order No.	DU 1	DU 2
DN 70	132 mm	94 mm	26,6 mm	3690070	1 pc.	10 pc.
DN 100	155 mm	114 mm	26,6 mm	3690100	1 pc.	10 pc.

TECEDrainpoint S Seal System sealing sleeve for composite seals*

Seal System sealing sleeve for the execution of an independently tested connection of TECEDrainpoint S drains to the composite seal.

Consisting of:

- PP fleece (top and underside) and inner waterproof PE foil
- Dimensions = 480 x 480 mm



Order No.	DU 1
3690004	1 pc.



* Information on Seal System can be found online at www.sealsystem.net.

TECEdrainpoint S – Accessories

TECEdrainpoint S compression ring set stainless steel

Compression sealing ring set for TECEdrainpoint S drains to create clamped flange connections.

Consisting of:

- Compression ring made of stainless steel, material 1.4301 (304) with pre-drilled hole circle
- Sealing ring made of cellular rubber
- Six stainless steel screws



Order No.	DU 1
3690003	1 pc.

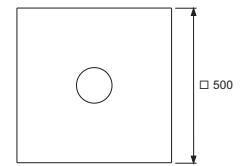
TECEdrainpoint S cut-to-size sealing foil EPDM for clamped flange connections

Sealing sleeve for TECEdrainpoint S drains, for joining bitumen membrane sheets, polymer bitumen membrane sheets or EPDM sealing strips using hot-air welding or full-area welding. The sealing sleeve is fixed on the universal flange with the compression ring set.

- Material: EPDM with glass cloth reinforcement, underside with polymer-modified bitumen layer and fine quartz coating
- Dimensions = 500 x 500 mm
- Material thickness = 3.1 mm
- Manufacturer: Phoenix Restrix MB

Please order separately:

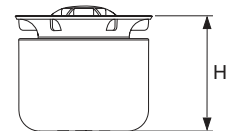
- Compression ring set (Order No. 3690003)



Order No.	DU 1
3690006	1 pc.

TECEdrainpoint S membrane odour trap

Odour trap for TECEdrainpoint S drains made of plastic (PP) with inner sealing lip membrane as protection against evaporation, barrier against odours and vermin, water seal and sealing lip membrane provide two-stage trap effect. Suitable to retrofit to all TECEdrainpoint S floor drains.



Version	H	Order No.	DU 1
For drain DN 50 extra-flat	50 mm	3695002	1 pc.
For drains DN 50 standard and vertical and DN 70	83 mm	3695005	1 pc.
For drains DN 100	117 mm	3695006	1 pc.

TECEdrainpoint S hair trap

Hair trap made of plastic, for insertion in the TECEdrainpoint S drain.



Order No.	DU 1	DU 2
3690005	1 pc.	100 pc.

TECEdrainpoint S assembly feet, sound-insulated

Assembly feet for TECEdrainpoint S drains with universal flange to make it easy to adjust height and fix in position during the bare-wall installation stage.

Adjustment range lower edge of feet to the upper edge of universal flange: 64-165 mm

Consisting of 4 assembly feet incl. sound-proofing element and mounting material.



Order No.	DU 1	DU 2
3690007	1 set	10 set

TECE PP-HT adapter on PVC drain pipes

Adapter to connect TECEdrainline and TECEdrainpoint S drains to PVC waste water pipes.



Dimension	Order No.	DU 1	DU 2	DU 3
DN 40/DN 40	3690000	1 pc.	70 pc.	1120 pc.
DN 50/DN 40	3690001	1 pc.	70 pc.	1120 pc.
DN 50/DN 50	3690002	1 pc.	70 pc.	1120 pc.

TECE adapter DN 50/2"

Adapter to connect TECEdrainline, TECEdrainpoint S and TECEdrainprofile drains to 2" PVC waste water pipes in accordance with BS5255.



Order No.	DU 1	DU 2
669012	1 pc.	10 pc.

Drainbase sound insulation mat for TECEdrainprofile, TECEdrainline and TECEdrainpoint S

Sound insulation mat for assembly under floating screed in the area of floor-level showers or throughout the bathroom. To reduce plumbing noises and provide impact noise insulation for renovations and new buildings.

Made of recycled high-tensile rubber granules bound with PUR elastomer. Meets enhanced sound insulation requirements for installation noise level according to DIN 4109 supplement 2, issued 1989-11 and the highest sound protection level SSt III according to VDI 4100, issued 2012-10 (sound test verification available on request).

- Form of delivery: 1.25 m x 1.25 m x 6 mm
- Fire class: B2 (DIN 4102)
- Thermal resistance: 0.05 (m²K)/W
- Compression at 15 t/m²: 0.6 mm
- Impact noise reduction: ΔLw= 20 dB(A) (with 50 mm screed)



Order No.	DU 1	DU 2
660001	1 pc.	16 pc.

TECEdrainpoint S – Accessories

Drainbase sound insulation mat (roll) for TECEdrainprofile, TECEdrainline and TECEdrainpoint S

Sound insulation mat for assembly under floating screed in the area of floor-level showers or throughout the bathroom. To reduce plumbing noises and provide impact noise insulation for renovations and new buildings. Made of recycled high-tensile rubber granules bound with PUR elastomer. Meets enhanced sound insulation requirements for installation noise level according to DIN 4109 supplement 2, issued 1989-11 and the highest sound protection level SSt III according to VDI 4100, issued 2012-10 (sound test verification available on request).

- Form of delivery: 8.0 m x 1.25 m x 6 mm (roll, approx. 50 kg)
- Fire class: B2 (DIN 4102)
- Thermal resistance: 0.05 (m²k)/W
- Compression at 15 t/m²: 0.6 mm
- Impact noise reduction: $\Delta L_w = 20$ dB(A) (with 50 mm screed)



Order No.

660002

DU 1

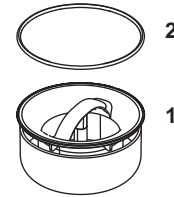
8 m

3601050 – TECEdrainpoint S 50 drain set extra-flat

3601100 – TECEdrainpoint S 110 drain set extra-flat with Seal System universal flange

3601102 – TECEdrainpoint S 112 drain set extra-flat with Seal System universal flange and stainless steel grate frame

Pos.	Order No.	Designation	DU	1
1	3695000	Odour trap superflat made of PP for horizontal outlets DN 50 superflat, height 50 mm	1	pc.
2	3695003	O-ring seal for drain top with 110 mm	1	pc.

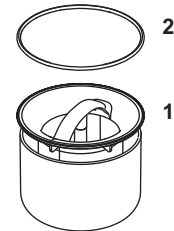


3601200 – TECEdrainpoint S 120 drain set standard with Seal System universal flange

3601202 – TECEdrainpoint S 122 drain set standard with Seal System universal flange and stainless steel grate frame

3601300 – TECEdrainpoint S 130 drain set vertical with Seal System universal flange

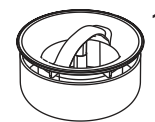
Pos.	Order No.	Designation	DU	1
1	3695001	Odour trap standard made of PP for horizontal and vertical outlets DN 50 standard and DN 70, height 83 mm	1	pc.
2	3695003	O-ring seal for drain top with 110 mm	1	pc.



3601400 – TECEdrainpoint S drain DN 50 extra-flat with Seal System universal flange

3601401 – TECEdrainpoint S drain DN 50 terrace with Seal System universal flange

Pos.	Order No.	Designation	DU	1
1	3695000	Odour trap superflat made of PP for horizontal outlets DN 50 superflat, height 50 mm	1	pc.



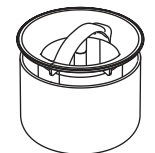
3601500 – TECEdrainpoint S drain DN 50 standard with Seal System universal flange

3601600 – TECEdrainpoint S drain DN 50 vertical with Seal System universal flange

3603500 – TECEdrainpoint S drain DN 70 with Seal System universal flange

3603600 – TECEdrainpoint S drain DN 70 vertical with Seal System universal flange

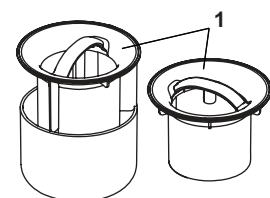
Pos.	Order No.	Designation	DU	1
1	3695001	Odour trap standard made of PP for horizontal and vertical outlets DN 50 standard and DN 70, height 83 mm	1	pc.



3607500 – TECEdrainpoint S drain DN 100 with Seal System universal flange

3607600 – TECEdrainpoint S drain DN 100 vertical with Seal System universal flange

Pos.	Order No.	Designation	DU	1
1	3695004	Odour trap DN 100, height 117 mm	1	pc.



TECEdrainpoint S grate frame stainless steel, 100 mm, frameless tile base

Pos.	Order No.	Designation	DU	1
1	668016	Spacer clip	10	pc.



TECEdrainpoint S – Spare parts

- 3660011 – TECEdrainpoint S grate frame stainless steel, 150 mm, design "plate"
- 3660001 – TECEdrainpoint S grate frame plastic, 100 mm, incl. design grate
- 3660002 – TECEdrainpoint S grate frame stainless steel, 100 mm, incl. design grate
- 3660009 – TECEdrainpoint S grate frame stainless steel, 100 mm, incl. design grate, screw-down
- 3660003 – TECEdrainpoint S grate frame plastic, 150 mm, incl. design grate
- 3660004 – TECEdrainpoint S grate frame stainless steel, 150 mm, incl. design grate
- 3660010 – TECEdrainpoint S grate frame stainless steel, 150 mm, incl. design grate, screw-down
- 3660007 – TECEdrainpoint S grate frame stainless steel, 100 mm, incl. design grate "quadratum"
- 3660008 – TECEdrainpoint S grate frame stainless steel, 150 mm, incl. design grate "quadratum"
- 3660005 – TECEdrainpoint S raising element with Seal System universal flange
- 3660006 – TECEdrainpoint S extension
- 3660019 – TECEdrainpoint S grate frame plastic, 150 mm, without grate

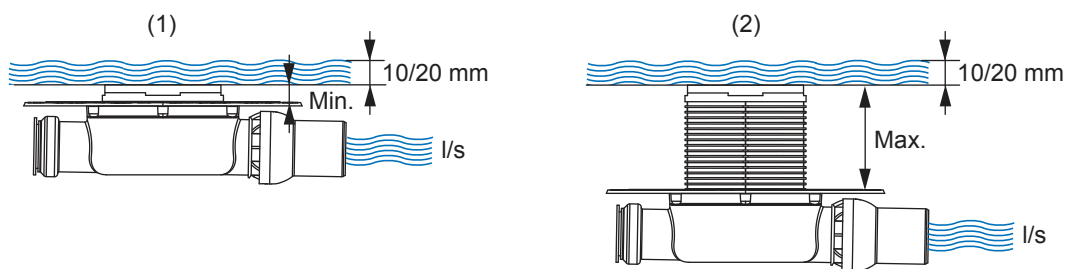


Pos.	Order No.	Designation	DU 1
1	3695003	O-ring seal for drain top with 110 mm	1 pc.

Drainage capacity TECEdrainpoint S

(Specified in l/s, according to DIN EN 1253)

Drain Designation (Order number)	Drain top and cover (order number)	Minimum height of drain top (1)		Maximum height of drain top (2)	
		Water level above grate			
		10 mm	20 mm	10 mm	20 mm
DN 50 extra-flat (3601400)	Top with design grate, 100 mm (3660001, 3660002, 3660009)	0.52	0.61	0.69	1.12
	Top with design grate “quadratum”, 100 mm (3660007)	0.44	0.69	0.53	0.85
	Tileable top “frameless”, 100 mm (3660016 + 3660006)	0.49	0.55	0.61	1.00
	Top with tileable frame base “plate”, 150 mm (3660011)	0.64	0.70	0.98	1.04
DN 50 standard (3601500)	Top with design grate, 100 mm (3660001, 3660002, 3660009)	0.52	0.89	0.64	1.35
	Top with design grate “quadratum”, 100 mm (3660007)	0.42	0.81	0.64	0.93
	Tileable top “frameless”, 100 mm (3660016 + 3660006)	0.45	0.75	0.79	1.07
	Top with tileable frame base “plate”, 150 mm (3660011)	0.91	0.98	1.33	1.46
DN 50 vertical (3601600)	Top with design grate, 100 mm (3660001, 3660002, 3660009)	0.64	1.36	0.70	1.56
	Top with design grate “quadratum”, 100 mm (3660007)	0.56	1.02	0.67	1.46
	Tileable top “frameless”, 100 mm (3660016 + 3660006)	0.62	0.96	0.89	1.48
	Top with tileable frame base “plate”, 150 mm (3660011)	1.33	1.41	1.63	1.69
DN 50 terrace (3601401)	Top with design grate, 100 mm (3660001, 3660002, 3660009)	0,66	1,22	0,50	1,51
	Top with design grate “quadratum”, 100 mm (3660007)	0,48	0,89	0,56	1,53
	Tileable top “frameless”, 100 mm (3660016 + 3660006)	0,71	0,97	0,81	1,07
	Top with tileable frame base “plate”, 150 mm (3660011)	0,97	1,46	0,86	1,27
DN 70 horizontal (3603500)	Top with design grate, 150 mm (3660003, 3660004, 3660010)	0.62	1.22	0.87	1.74
	Top with design grate “quadratum”, 150 mm (3660008)	0.76	1.13	0.78	1.54
	Tileable top “frameless”, 100 mm (3660016 + 3660006)	0.64	0.84	0.97	1.54
	Top with tileable frame base “plate”, 150 mm (3660011)	1.19	1.29	1.50	1.72
DN 70 vertical (3603600)	Top with design grate, 150 mm (3660003, 3660004, 3660010)	0.47	1.81	0.63	1.84
	Top with design grate “quadratum”, 150 mm (3660008)	0.79	1.67	0.68	1.99
	Tileable top “frameless”, 100 mm (3660016 + 3660006)	0.64	0.85	0.80	2.18
	Top with tileable frame base “plate”, 150 mm (3660011)	1.62	1.97	2.24	2.42
DN 100 horizontal (3607500)	Top with design grate, 150 mm (3660003, 3660004, 3660010)	0.90	1.61	0.86	2.03
	Top with design grate “quadratum”, 150 mm (3660008)	0.77	1.48	0.79	1.98
	Tileable top “frameless”, 100 mm (3660016 + 3660006)	0.46	1.12	0.58	1.81
	Top with tileable frame base “plate”, 150 mm (3660011)	1.36	1.48	1.60	2.06
DN 100 vertical (3607600)	Top with design grate, 150 mm (3660003, 3660004, 3660010)	0.76	1.42	0.80	2.10
	Top with design grate “quadratum”, 150 mm (3660008)	0.70	1.33	0.74	2.13
	Tileable top “frameless”, 100 mm (3660016 + 3660006)	0.76	1.06	0.59	1.86
	Top with tileable frame base “plate”, 150 mm (3660011)	1.22	1.36	1.72	2.20





Annex

EXHIBITION SAMPLES

ASSORTMENT LIST 2021

	Page
TECEone	336
TECElux	337
Toilet flush plates	339
Urinal flush plates	342
TECEdrainprofile	345
TECEdrainline	346

We can provide you with the prices of the exhibition samples on request.

Exhibition samples – TECEone

TECEone exhibition samples

Exhibition samples with manually extendible shower rod.

Please order separately:

- TECEone toilet seat with lid

Order No.

9700900



TECEone splash guard

Transparent plastic hood for presenting the shower function.

Order No.

9820371

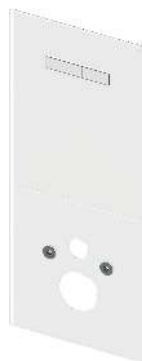


TECElux flush plate exhibit glass with manual actuation

Upper glass facing with actuation unit for TECElux module with two actuation buttons in combination with lower glass facing.

Dimensions: 430 x 1000 x 16 mm

Colour	Order No.
White glass, white buttons	9650500
White glass, bright chrome buttons	9650501
Black glass, bright chrome buttons	9650505



TECElux flush plate exhibit glass with electronic sen-Touch actuation

Upper glass facing for TECElux module with electronic sen-Touch actuation buttons in combination with lower toilet glass facing for standard toilet, power pack included in the delivery.

Dimensions: 430 x 1000 x 16 mm

Colour	Order No.
White glass	9650502
Black glass	9650504



TECElux flush plate exhibit glass with electronic sen-Touch actuation, for shower toilet seat

Upper glass flush plate for TECElux module with electronic sen-Touch actuation buttons in combination with lower toilet glass facing for shower toilet seat, power pack included in the delivery.

Dimensions: 430 x 1000 x 16 mm

Colour	Order No.
White glass	9650503



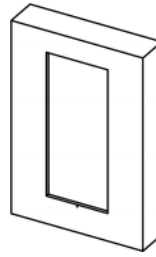
Exhibition samples – TECElux

TECElux function display

Exhibition wall incl. TECEprofil frame. For combination with a TECElux module, the upper glass facing and the lower mounting plate.

Dimensions: 816 x 1203 x 203 mm

Colour	Order No.
Red (tone RAL 3001)	9650551
Black (tone RAL 7021)	9650552



TECElux info board

TECElux explanation table for exhibitions, for combination with TECElux function displays and TECElux exhibition modules.

Dimensions:

120 x 320 x 3 mm (9650553)

120 x 230 x 3 mm (9650554)

Version	Order No.
sen-Touch and ceramic-Air	9650553
Manual actuation	9650554



TECElux Mini toilet flush plate exhibit dual-flush system

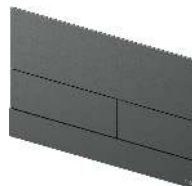
Power pack included in the delivery.
 Dimensions: 220 x 150 x 5 mm
 (0 mm installation height with flush-mounted installation)



Colour	Order No.
White glass	9240565
Black glass	9240567

TECESquare II metal toilet flush plate exhibit with coloured PVD surface

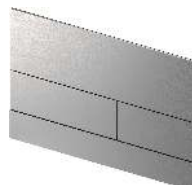
Dimensions: 220 x 150 x 3 mm



Colour	Order No.
Brushed Black Chrome	9240590
Polished Gold Optic	9240592
Polished Red Gold	9240591

TECESquare II metal toilet flush plate exhibit

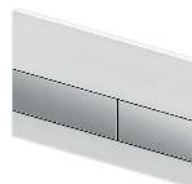
Dimensions: 220 x 150 x 3 mm



Colour	Order No.
Brushed stainless steel (with anti-fingerprint)	9240560
Bright chrome	9240561
Bright white	9240562
White matt	9240568
Black matt	9240564

TECESquare toilet flush plate exhibit glass

Dimensions: 220 x 150 x 11 mm
 (0 mm installation height with flush-mounted installation)

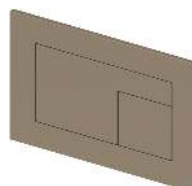


Colour	Order No.
White glass, white buttons	9240530
White glass, stainless steel buttons	9240536
White glass, bright chrome buttons	9240531
Mint green glass, brushed stainless steel buttons (with anti-fingerprint)	9240539
Black glass, brushed stainless steel button (with anti-fingerprint)	9240532
Black glass, bright chrome buttons	9240538
Black glass, black buttons	9240537

TECEvelvet toilet flush plate exhibit

NEW

Dimensions: 220 x 150 x 5 mm
 (0 mm installation height with flush-mounted installation)



Colour	Order No.
Nero Ingo / Black	9240583 NEW
Castoro Ottawa / Beige-Brown	9240584 NEW
Beige Arizona / Greige	9240913 NEW
Grigio Londra / Anthracite	9240912 NEW

Exhibition samples – Toilet flush plates

TECEloop glass toilet flush plate exhibit

Dimensions: 220 x 150 x 11 mm
(0 mm installation height with flush-mounted installation)

Colour	Order No.
White glass, white buttons	9240511
White glass, matte chrome buttons	9240524
White glass, bright chrome buttons	9240525
Black glass, white buttons	9240515
Black glass, matte chrome buttons	9240516
Black glass, bright chrome buttons	9240517
Black glass, black buttons	9240518
Black glass, gold buttons	9240519
Ruby red glass (Alape), brushed stainless steel buttons	9240528
Slate slab, brushed stainless steel buttons	9240540*
Silvery grey glass (Alape), matte chrome buttons	9240541
Coffee brown glass, bright chrome buttons	9240542
White glass, brushed stainless steel push-buttons	9240550
Ruby red glass (Alape), white buttons	9240551
Light concrete, brushed stainless steel buttons	9240586 NEW
White marble, bright chrome buttons	9240587 NEW
Oak, black matt button	9240588 NEW

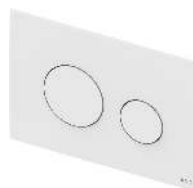


TECEloop toilet flush plate exhibit plastic

NEW

Dimensions: 220 x 150 x 5 mm

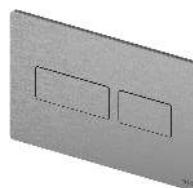
Colour	Order No.
White	9240740** NEW
Matte chrome	9240741** NEW
Black matt	9240742** NEW



TECESolid toilet flush plate exhibit

Dimensions: 220 x 150 x 6 mm

Colour	Order No.
Bright white	9240572
Brushed stainless steel (with anti-fingerprint)	9240574
Bright chrome	9240571



TECESolid toilet electronics exhibition plate

NEW

Power pack included in the delivery.
Dimensions: 220 x 150 x 6 mm

Colour	Order No.
Brushed stainless steel (with anti-fingerprint)	9240581 NEW



TECEplanus toilet flush plate exhibit, dual-flush system

Dimensions: 214 x 144 x 15 mm

Colour	Order No.
Silky matte white	9240505
Bright white	9240521
Brushed stainless steel	9240502
Bright chrome	9240503



TECEplanus toilet flush plate exhibit, single-flush system

Dimensions: 214 x 144 x 15 mm

Colour	Order No.
Silky matte white	9240504
Bright white	9240520
Brushed stainless steel	9240500
Bright chrome	9240501



TECEnow toilet flush plate exhibit

Dimensions: 220 x 150 x 5 mm

(0 mm installation height with flush-mounted installation)

Colour	Order No.
White	9240555
Bright chrome	9240556
Matte chrome	9240557
Black	9240558
Black matt	9240908 NEW



TECEambia toilet flush plate exhibit, dual-flush system

Dimensions: 214 x 152 x 22 mm

Colour	Order No.
White/white antibacterial	9240900
Matte chrome	9240901
Bright chrome	9240902
Matte chrome frame, bright chrome buttons	9240903
Bright chrome frame, matte chrome buttons	9240904



TECE exhibition installation frame for flush-mounted installation, toilet

Exhibition installation frame for the flush-mounted installation of the TECElux Mini, TECEloup, TECESquare and TECEnow toilet flush plates.

Dimensions: 225 x 155 x 15 mm

Colour	Order No.
White	9240543
Black	9240544
Bright chrome	9240522



Exhibition samples – Urinal flush plates

TECEfilo urinal exhibition flush plate

Dimensions:

- 100 x 150 x 7 mm (9242920)
- 100 x 150 x 9 mm (9242925)
- 100 x 150 x 6 mm (9242921, 9242930)

Colour	Order No.
Plastic white	9242920
Plastic Bright chrome	9242921
White glass	9242925
Brushed stainless steel (with anti-fingerprint)	9242930



TECEfilo-Velvet urinal flush plate exhibit

NEW

Dimensions: 104 x 124 x 6 mm

Colour	Order No.
Castoro Ottawa / Beige-Brown	9242942 NEW
Grigio Londra / Anthracite	9242943 NEW



TECEfilo-Solid urinal flush plate exhibit

Dimensions: 104 x 124 x 6 mm

Colour	Order No.
Brushed stainless steel (with anti-fingerprint)	9242939



TECESquare urinal flush plate exhibit metal

Dimensions: 124 x 144 x 2 mm

Colour	Order No.
Brushed stainless steel (with anti-fingerprint)	9242533
Bright chrome	9242534
White	9242535



TECESquare urinal flush plate exhibit glass

Dimensions: 104 x 124 x 11 mm

(0 mm installation height with flush-mounted installation)

Colour	Order No.
White glass, white button	9242530
White glass, bright chrome button	9242531
Black glass, brushed stainless steel button (with anti-fingerprint)	9242532



TECEloop urinal flush plate exhibit glass

Dimensions: 104 x 124 x 11 mm
(0 mm installation height with flush-mounted installation)

Colour	Order No.
White glass, white button	9242511
White glass, matte chrome button	9242524
White glass, bright chrome button	9242525
Black glass, white button	9242515
Black glass, matte chrome button	9242516
Black glass, bright chrome button	9242517
Black glass, black button	9242518
Black glass, gold button	9242519



TECEloop urinal flush plate exhibit plastic

Dimensions: 100 x 120 x 6 mm

Colour	Order No.
White	9242507
White, bright chrome button	9242523
Matte chrome	9242509
Bright chrome	9242510



TECESolid urinal flush plate exhibit

Dimensions: 104 x 124 x 6 mm

Colour	Order No.
Brushed stainless steel (with anti-fingerprint)	9242574



TECEplanus urinal flush plate exhibit, manual

Dimensions: 100 x 120 x 12 mm

Colour	Order No.
Silky matte white	9242902
Bright white	9242909
Brushed stainless steel	9242900
Bright chrome	9242901



TECEplanus urinal flush plate exhibit, electronic

Dimensions: 100 x 120 x 12 mm

Colour	Order No.
Silky matte white	9242906
Brushed stainless steel	9242903
Bright chrome	9242904



Exhibition samples – Urinal flush plates

TECEnow urinal flush plate exhibit

Dimensions: 104 x 124 x 5 mm

Colour	Order No.
White	9242536
Bright chrome	9242537
Matte chrome	9242538



TECEambia urinal flush plate exhibit

Dimensions: 100 x 120 x 15 mm

Colour	Order No.
White	9242905
White, antibacterial	9242908



TECE exhibition installation frame for flush-mounted installation, urinal

Exhibition installation frame for the flush-mounted installation of the TECEloop and TECESquare urinal flush panels.

Dimensions: 129 x 109 x 15 mm

Colour	Order No.
Bright chrome	9242522



TECEdrainprofile shower profile exhibit

Shower profile with profile lid on base body, for floor installation.

Consisting of:

- Profile and profile lid made of stainless steel, material 1.4301 (304)
- Base body made of wood

Length: 900 mm

Width: 55 mm

Height: 10 mm



Surface	Order No.
brushed	679000

Exhibition samples – TECEdrainline

TECEdrainline sample channels, base body

Sample channel, 10 mm high base body, for insertion of the exhibition glass covers in green, white or black. Can also be used as an exhibition tileable channel.

Length: 850 mm



	Order No.
	669002

TECEdrainline exhibition glass cover

Exhibition glass cover, for insertion in the channel base body.

Length: 850 mm



Colour	Order No.
Green	669009
White	669010
Black	669011

Order No.		DU 1	DU 2	DU 3	Page
600700	-	1	40	-	276
600701	-	1	32	-	277
600702	-	1	49	-	274
600703	-	1	49	-	275
600710	-	1	-	-	280, 301
600711	-	1	-	-	280, 301
600730	-	1	-	-	280
600731	-	1	-	-	280
600750	-	1	-	-	281
600751	-	1	-	-	281
600760	-	1	-	-	281
600761	-	1	-	-	281
600770	-	1	-	-	278, 301
600772	-	1	-	-	278
600782	-	1	-	-	279
600783	-	1	-	-	279
600790	-	1	-	-	279
600791	-	1	-	-	279
600792	-	1	-	-	279
600800	-	1	40	-	276
600801	-	1	32	-	277
600802	-	1	49	-	274
600803	-	1	49	-	275
600810	-	1	-	-	280, 301
600811	-	1	-	-	280, 301
600830	-	1	-	-	280
600831	-	1	-	-	280
600850	-	1	-	-	281
600851	-	1	-	-	281
600860	-	1	-	-	281
600861	-	1	-	-	281
600870	-	1	-	-	278, 301
600872	-	1	-	-	278
600882	-	1	-	-	279
600883	-	1	-	-	279
600890	-	1	-	-	279
600891	-	1	-	-	279
600892	-	1	-	-	279
600900	-	1	40	-	276
600901	-	1	32	-	277
600902	-	1	49	-	274
600903	-	1	49	-	275
600910	-	1	-	-	280, 301
600911	-	1	-	-	280, 301
600930	-	1	-	-	280
600931	-	1	-	-	280
600950	-	1	-	-	281
600951	-	1	-	-	281
600960	-	1	-	-	281
600961	-	1	-	-	281

Order No.		DU 1	DU 2	DU 3	Page
600970	-	1	-	-	278, 301
600972	-	1	-	-	278
600982	-	1	-	-	279
600983	-	1	-	-	279
600990	-	1	-	-	279
600991	-	1	-	-	279
600992	-	1	-	-	279
601000	-	1	40	-	276
601001	-	1	32	-	277
601002	-	1	49	-	274
601003	-	1	49	-	275
601010	-	1	-	-	280, 301
601011	-	1	-	-	280, 301
601030	-	1	-	-	280
601031	-	1	-	-	280
601050	-	1	-	-	281
601051	-	1	-	-	281
601060	-	1	-	-	281
601061	-	1	-	-	281
601070	-	1	-	-	278, 301
601072	-	1	-	-	278
601082	-	1	-	-	279
601083	-	1	-	-	279
601090	-	1	-	-	279
601091	-	1	-	-	279
601092	-	1	-	-	279
601200	-	1	20	-	276
601201	-	1	16	-	277
601202	-	1	49	-	274
601203	-	1	49	-	275
601210	-	1	-	-	280, 301
601211	-	1	-	-	280, 301
601230	-	1	-	-	280
601231	-	1	-	-	280
601250	-	1	-	-	281
601251	-	1	-	-	281
601260	-	1	-	-	281
601261	-	1	-	-	281
601270	-	1	-	-	278, 301
601272	-	1	-	-	278
601282	-	1	-	-	279
601283	-	1	-	-	279
601290	-	1	-	-	279
601291	-	1	-	-	279
601292	-	1	-	-	279
601500	-	1	20	-	276
601501	-	1	16	-	277
601510	-	1	-	-	280, 301
601511	-	1	-	-	280, 301
601530	-	1	-	-	280

Article quick search

Quick search

Order No.		DU 1	DU 2	DU 3	Page
601531	-	1	-	-	280
601550	-	1	-	-	281
601551	-	1	-	-	281
601560	-	1	-	-	281
601561	-	1	-	-	281
601570	-	1	-	-	278, 301
601572	-	1	-	-	278
601582	-	1	-	-	279
601583	-	1	-	-	279
601590	-	1	-	-	279
601591	-	1	-	-	279
601592	-	1	-	-	279
610900	-	1	9	-	282
610910	-	1	-	-	283
610970	-	1	-	-	283
610982	-	1	-	-	283
611000	-	1	9	-	282
611010	-	1	-	-	283
611070	-	1	-	-	283
611082	-	1	-	-	283
611200	-	1	9	-	282
611210	-	1	-	-	283
611270	-	1	-	-	283
611282	-	1	-	-	283
650000	-	1	270	-	285
650001	-	1	210	-	285
650002	-	1	75	-	286
650003	-	1	175	-	286
650004	-	1	320	-	285
650700	-	1	40	-	284
650800	-	1	40	-	284
650900	-	1	40	-	284
651000	-	1	40	-	284
651200	-	1	20	-	284
651500	-	1	20	-	284
660001	-	1	16	-	265, 288, 327
660002	-	8	-	-	266, 289, 328
660003	-	1	45	-	287
660004	-	1	30	-	287
660005	-	1	10	-	287, 302
660006	-	1	50	-	287
660015	-	1	150	-	288
660016	-	1	100	-	288
660017	-	1	100	-	288
660018	-	1	100	-	288
660019	-	3.9	31.2	-	288
660020	NEW	1	150	-	288
668010	-	1	-	-	292
668011	-	1	-	-	292
668012	-	1	-	-	290-292

Order No.		DU 1	DU 2	DU 3	Page
668013	-	1	-	-	290-292
668014	-	1	100	-	290-292, 303
668016	-	10	-	-	290-292, 303, 329
668019	-	1	-	-	293
668020	-	1	100	-	291, 303
668024	-	1	-	-	291, 303
668025	-	1	-	-	292
668026	-	1	-	-	292, 303
668027	-	1	-	-	292, 303
668028	-	1	-	-	292, 303
668029	-	1	-	-	292
668030	-	1	-	-	292
668031	-	1	-	-	292
668032	-	1	-	-	292, 293
668033	-	1	-	-	290
668034	NEW	1	40	-	290, 293
669002	-	1	-	-	346
669009	-	1	-	-	346
669010	-	1	-	-	346
669011	-	1	-	-	346
669012	-	1	10	-	287, 327
670800	-	1	-	-	260
670801	-	1	-	-	262
670802	-	1	-	-	262
670803	-	1	-	-	262
670810	-	1	-	-	260
670811	-	1	-	-	262
670812	-	1	-	-	262
670813	-	1	-	-	262
670821	NEW	1	-	-	261
670900	-	1	-	-	260
670901	-	1	-	-	262
670902	-	1	-	-	262
670903	-	1	-	-	262
670910	-	1	-	-	260
670911	-	1	-	-	262
670912	-	1	-	-	262
670913	-	1	-	-	262
670921	NEW	1	-	-	261
671000	-	1	-	-	260
671001	-	1	-	-	262
671002	-	1	-	-	262
671003	-	1	-	-	262
671010	-	1	-	-	260
671011	-	1	-	-	262
671012	-	1	-	-	262
671013	-	1	-	-	262
671021	NEW	1	-	-	261
671200	-	1	-	-	260

Order No.		DU 1	DU 2	DU 3	Page
671201	-	1	-	-	262
671202	-	1	-	-	262
671203	-	1	-	-	262
671210	-	1	-	-	260
671211	-	1	-	-	262
671212	-	1	-	-	262
671213	-	1	-	-	262
671221	NEW	1	-	-	261
671600	NEW	1	-	-	260
673001	-	1	-	-	263
673002	-	1	-	-	264
674000	-	1	50	-	265
674001	-	1	18	-	265
674002	-	1	-	-	265
675000	-	1	-	-	267
675001	-	1	-	-	267
675004	-	1	-	-	268
675005	-	1	-	-	268
675006	-	1	-	-	268
675008	-	1	-	-	268
675009	-	1	-	-	268
675010	-	1	-	-	267
675011	-	1	-	-	267
675012	-	1	-	-	267
675013	-	1	-	-	267
675014	-	1	-	-	267
675015	-	1	-	-	267
675016	-	1	8	-	268
675017	-	1	-	-	269
675019	NEW	1	-	-	267
675020	-	1	-	-	267
679000	-	1	-	-	345
3601050	-	1	10	-	308
3601100	-	1	10	-	308
3601102	-	1	10	-	309
3601104	-	1	-	-	312
3601200	-	1	10	-	310
3601202	-	1	10	-	311
3601300	-	1	10	-	312
3601400	-	1	-	-	313
3601401	-	1	-	-	313
3601500	-	1	-	-	314
3601600	-	1	-	-	314
3603500	-	1	-	-	315
3603600	-	1	-	-	315
3607500	-	1	-	-	316
3607600	-	1	-	-	316
3660001	-	1	-	-	317
3660002	-	1	-	-	318
3660003	-	1	-	-	319

Order No.		DU 1	DU 2	DU 3	Page
3660004	-	1	-	-	319
3660005	-	1	-	-	321
3660006	-	1	-	-	321
3660007	-	1	-	-	320
3660008	-	1	-	-	320
3660009	-	1	-	-	318
3660010	-	1	-	-	319
3660011	-	1	-	-	317
3660013	NEW	1	-	-	322
3660014	NEW	1	-	-	322
3660016	-	1	-	-	317
3660018	-	1	-	-	321
3660019	-	1	-	-	321
3660020	-	1	-	-	318
3660021	-	1	-	-	320
3665000	-	1	-	-	323
3665001	-	1	-	-	323
3665002	-	1	-	-	323
3665003	-	1	-	-	323
3665006	-	1	-	-	324
3665009	-	1	-	-	324
3690000	-	1	70	1120	287, 327
3690001	-	1	70	1120	287, 327
3690002	-	1	70	1120	287, 327
3690003	-	1	-	-	326
3690004	-	1	-	-	325
3690005	-	1	100	-	326
3690006	-	1	-	-	326
3690007	-	1	10	-	327
3690050	-	1	50	-	325
3690070	-	1	10	-	325
3690100	-	1	10	-	325
3695000	-	1	-	-	329
3695001	-	1	-	-	329
3695002	-	1	-	-	326
3695003	-	1	-	-	329, 330
3695004	-	1	-	-	329
3695005	-	1	-	-	326
3695006	-	1	-	-	326
9000000	-	18	630	1890	236
9010002	-	30	240	5400	236
9010003	-	10	30	-	247
9010009	-	5	50	-	247
9018002	-	6	30	-	246
9018007	-	100	500	-	247
9018011	-	2	10	-	246
9018012	NEW	1	-	-	251
9020004	-	1	4	-	244
9020019	-	1	10	-	243
9020033	-	1	10	-	240

Quick search

Article quick search

Quick search

Order No.		DU 1	DU 2	DU 3	Page
9020034	-	1	10	-	240
9020036	-	1	2	-	244
9020038	-	1	-	-	242
9020040	-	1	10	-	243
9020041	-	1	10	-	243
9020046	-	1	4	-	244
9020048	-	1	10	-	241
9020049	-	1	10	-	240
9020050	-	1	10	-	240
9020051	-	1	4	-	244
9020052	-	1	4	-	244
9020054	-	1	10	-	241
9021017	-	1	20	-	244
9021019	-	50	200	400	237
9021021	-	1	20	-	244
9021022	-	1	20	-	244
9021032	-	1	35	-	17
9030002	-	10	60	240	236
9030011	-	5	15	60	237
9030013	-	2	10	-	237
9030017	-	1	-	-	247
9030024	-	1	10	-	216
9030026	-	1	-	-	217
9030028	-	1	-	-	158, 174
9030029	-	1	-	-	55, 58, 60, 64, 74, 217
9040001	-	10	30	-	247
9040004	-	10	30	-	247
9041006	SALE	1	10	60	239
9041008	SALE	1	30	-	209
9041029	-	1	-	-	158
9041306	NEW	1	10	60	238
9041308	NEW	1	30	-	208
9042003	-	1	-	-	155, 245
9042005	-	1	10	-	245
9042008	-	1	10	-	132
9042010	-	1	10	-	131
9042011	-	1	10	-	131
9042012	-	1	10	-	131
9042013	-	1	10	-	131
9042016	-	1	10	-	131
9042017	-	1	10	-	131
9042018	-	1	10	-	131
9080001	-	1	30	-	160
9140000	-	4	20	-	248
9150000	-	1	-	-	243
9200000	-	30	60	120	249
9200001	-	5	20	-	249
9200002	-	250	4500	9000	249
9200010	-	1	10	60	160, 190, 218

Order No.		DU 1	DU 2	DU 3	Page
9200012	-	1	10	60	207
9200013	-	1	30	60	249
9200014	-	1	25	-	249
9200017	-	1	10	-	250
9221011	-	1	-	-	217
9221013	-	1	-	-	217, 251
9240100	-	1	10	-	75
9240125	-	1	10	-	75
9240126	-	1	10	-	75
9240140	-	1	10	-	75
9240200	-	1	10	-	75
9240225	-	1	10	-	75
9240226	-	1	10	-	75
9240240	-	1	10	-	75
9240253	-	1	10	-	75
9240254	-	1	10	-	75
9240310	-	1	10	-	68
9240311	-	1	10	-	68
9240312	-	1	10	-	68
9240314	-	1	10	-	68
9240320	-	1	10	-	68
9240321	-	1	10	-	68
9240322	-	1	10	-	68
9240324	-	1	10	-	68
9240350	-	1	-	-	69
9240351	-	1	-	-	69
9240352	-	1	-	-	69
9240353	-	1	-	-	69
9240354	-	1	-	-	70
9240355	-	1	-	-	70
9240356	-	1	-	-	71
9240357	-	1	-	-	71
9240360	-	1	-	-	72
9240361	-	1	-	-	69
9240362	-	1	-	-	69
9240365	-	1	10	-	68
9240366	-	1	10	-	68
9240400	-	1	10	-	73
9240401	-	1	10	-	73
9240402	-	1	10	-	73
9240403	-	1	10	-	73
9240405	-	1	10	-	73
9240407	-	1	10	-	73
9240410	-	1	10	-	59, 63, 73
9240411	-	1	10	-	59, 63, 73
9240412	-	1	10	-	59, 63, 73
9240415	-	1	10	-	59, 63, 73
9240416	NEW	1	10	-	65
9240417	NEW	1	10	-	73
9240430	-	1	10	-	65

Order No.		DU 1	DU 2	DU 3	Page
9240431	-	1	10	-	65
9240432	-	1	10	-	65
9240433	-	1	10	-	65
9240434	-	1	10	-	65
9240440	-	1	10	-	65
9240441	-	1	10	-	65
9240442	-	1	-	-	65, 100
9240443	NEW	1	-	-	67
9240451	NEW	1	-	-	67
9240452	NEW	1	-	-	67
9240453	NEW	1	-	-	67
9240454	NEW	1	-	-	67
9240455	NEW	1	-	-	67
9240461	NEW	1	-	-	66
9240462	NEW	1	-	-	66
9240463	NEW	1	-	-	66
9240464	NEW	1	-	-	66
9240465	NEW	1	-	-	66
9240500	-	1	-	-	341
9240501	-	1	-	-	341
9240502	-	1	10	-	341
9240503	-	1	10	-	341
9240504	-	1	-	-	341
9240505	-	1	10	-	341
9240511	-	1	-	-	340
9240515	-	1	-	-	340
9240516	-	1	-	-	340
9240517	-	1	-	-	340
9240518	-	1	-	-	340
9240519	-	1	-	-	340
9240520	-	1	10	-	341
9240521	-	1	10	-	341
9240522	-	1	-	-	341
9240524	-	1	-	-	340
9240525	-	1	-	-	340
9240528	-	1	10	-	340
9240530	-	1	10	-	339
9240531	-	1	10	-	339
9240532	-	1	10	-	339
9240536	-	1	10	-	339
9240537	-	1	10	-	339
9240538	-	1	10	-	339
9240539	-	1	10	-	339
9240540	-	1	10	-	340
9240541	-	1	10	-	340
9240542	-	1	10	-	340
9240543	-	1	-	-	341
9240544	-	1	-	-	341
9240550	-	1	10	-	340
9240551	-	1	10	-	340

Order No.		DU 1	DU 2	DU 3	Page
9240555	-	1	10	-	341
9240556	-	1	10	-	341
9240557	-	1	10	-	341
9240558	-	1	10	-	341
9240560	-	1	10	-	339
9240561	-	1	10	-	339
9240562	-	1	10	-	339
9240564	-	1	10	-	339
9240565	-	1	-	-	339
9240567	-	1	-	-	339
9240568	-	1	10	-	339
9240571	-	1	10	-	340
9240572	-	1	10	-	340
9240574	-	1	10	-	340
9240581	NEW	1	-	-	340
9240583	NEW	1	10	-	339
9240584	NEW	1	10	-	339
9240586	NEW	1	10	-	340
9240587	NEW	1	10	-	340
9240588	NEW	1	10	-	340
9240590	-	1	-	-	339
9240591	-	1	-	-	339
9240592	-	1	-	-	339
9240600	SALE	1	10	-	63
9240612	NEW	1	10	-	62
9240613	NEW	1	10	-	62
9240614	NEW	1	10	-	62
9240615	NEW	1	10	-	62
9240616	NEW	1	10	-	62
9240617	NEW	1	10	-	62
9240618	NEW	1	10	-	61
9240619	NEW	1	10	-	61
9240625	SALE	1	10	-	63
9240626	SALE	1	10	-	63
9240627	SALE	1	10	-	63
9240640	SALE	1	10	-	63
9240643	-	1	10	-	55, 57, 60, 64, 74
9240644	-	1	20	-	55, 57, 60, 64, 73
9240645	-	1	10	-	55, 57, 60, 64, 74
9240646	-	1	20	-	55, 57, 60, 64, 73
9240647	-	1	20	-	55, 57, 60, 64, 73
9240648	-	1	20	-	55, 57, 60, 64, 73
9240649	-	1	20	-	55, 57, 60, 64, 73
9240650	-	1	10	-	62
9240651	SALE	1	10	-	62

Article quick search

Quick search

Order No.		DU 1	DU 2	DU 3	Page
9240652	SALE	1	10	-	62
9240653	SALE	1	10	-	62
9240654	-	1	10	-	62
9240655	-	1	10	-	62
9240656	-	1	10	-	62
9240657	-	1	10	-	62
9240658	-	1	10	-	62
9240659	-	1	10	-	62
9240660	-	1	10	-	62
9240663	-	1	10	-	61
9240664	-	1	10	-	61
9240665	-	1	10	-	61
9240666	-	1	10	-	61
9240667	-	1	10	-	61
9240668	-	1	10	-	61
9240669	-	1	10	-	61
9240670	SALE	1	10	-	62
9240671	-	1	10	-	62
9240673	SALE	1	10	-	62
9240674	-	1	10	-	62
9240675	-	1	10	-	62
9240676	SALE	1	10	-	62
9240677	SALE	1	10	-	62
9240678	-	1	10	-	62
9240679	-	1	10	-	62
9240680	SALE	1	10	-	62
9240683	SALE	1	10	-	62
9240685	SALE	1	10	-	62
9240700	-	1	10	-	76
9240701	-	1	10	-	76
9240702	-	1	10	-	76
9240730	NEW	1	10	-	59
9240731	NEW	1	10	-	59
9240732	NEW	1	10	-	59
9240733	NEW	1	10	-	59
9240734	NEW	1	10	-	59
9240735	NEW	1	10	-	59
9240740	NEW	1	-	-	340
9240741	NEW	1	-	-	340
9240742	NEW	1	-	-	340
9240800	-	1	10	-	57
9240801	-	1	10	-	57
9240802	-	1	10	-	57
9240803	-	1	10	-	57
9240804	-	1	10	-	57
9240805	-	1	10	-	57
9240806	-	1	10	-	57
9240807	-	1	10	-	57
9240808	-	1	10	-	57
9240809	-	1	10	-	57

Order No.		DU 1	DU 2	DU 3	Page
9240830	-	1	10	-	56
9240831	-	1	10	-	56
9240832	-	1	10	-	56
9240833	-	1	10	-	56
9240834	-	1	10	-	56
9240836	-	1	10	-	56
9240837	-	1	10	-	56
9240838	-	1	10	-	56
9240839	-	1	10	-	56
9240840	-	1	10	-	56
9240841	-	1	10	-	56
9240900	-	1	-	-	341
9240901	-	1	10	-	341
9240902	-	1	10	-	341
9240903	-	1	10	-	341
9240904	-	1	10	-	341
9240908	NEW	1	10	-	341
9240912	NEW	1	10	-	339
9240913	NEW	1	10	-	339
9240920	NEW	1	10	-	63
9240921	NEW	1	10	-	63
9240922	NEW	1	10	-	63
9240924	NEW	1	10	-	63
9240925	NEW	1	10	-	63
9240926	NEW	1	10	-	63
9240927	NEW	1	10	-	63
9240950	-	1	-	-	42, 43, 45, 79, 161, 219
9240960	-	1	-	-	54
9240961	-	1	-	-	54
9240970	-	1	-	-	54
9240971	-	1	-	-	55
9240976	NEW	1	-	-	77
9240977	NEW	1	-	-	77
9240978	NEW	1	-	-	77
9240979	NEW	1	-	-	77
9240980	NEW	1	-	-	77
9240981	NEW	1	-	-	78
9240982	NEW	1	-	-	78
9240983	NEW	1	-	-	78
9240984	NEW	1	-	-	78
9242018	NEW	1	-	-	92
9242019	NEW	1	-	-	92
9242020	NEW	1	-	-	92
9242021	NEW	1	-	-	92
9242022	NEW	1	-	-	92
9242023	NEW	1	-	-	92
9242024	NEW	1	-	-	92
9242025	NEW	1	-	-	92
9242026	NEW	1	-	-	92

Order No.		DU 1	DU 2	DU 3	Page
9242027	NEW	1	-	-	92
9242028	NEW	1	-	-	92
9242029	NEW	1	-	-	92
9242030	-	1	-	-	93
9242031	-	1	-	-	93
9242032	-	1	-	-	93
9242033	-	1	-	-	93
9242034	-	1	-	-	93
9242035	-	1	-	-	93
9242036	-	1	-	-	93
9242037	-	1	-	-	93
9242038	-	1	-	-	93
9242039	-	1	-	-	93
9242040	-	1	-	-	95
9242041	-	1	-	-	95
9242042	-	1	-	-	95
9242043	NEW	1	-	-	93
9242044	NEW	1	-	-	93
9242050	-	1	10	-	94
9242051	-	1	10	-	94
9242054	-	1	10	-	94
9242055	-	1	10	-	94
9242060	-	1	10	-	91
9242061	-	1	10	-	91
9242062	-	1	10	-	91
9242063	-	1	10	-	91
9242070	-	1	10	-	90
9242071	-	1	10	-	90
9242100	-	1	15	-	105
9242126	-	1	15	-	105
9242140	-	1	15	-	105
9242310	-	1	15	-	101
9242311	-	1	15	-	101
9242312	-	1	15	-	101
9242314	-	1	15	-	101
9242350	-	1	10	-	102
9242351	-	1	10	-	102
9242352	-	1	10	-	102
9242353	-	1	10	-	102
9242354	-	1	10	-	102
9242355	-	1	10	-	102
9242356	-	1	10	-	102
9242357	-	1	10	-	102
9242400	-	1	15	-	104
9242401	-	1	15	-	104
9242402	-	1	15	-	104
9242403	-	1	15	-	104
9242405	-	1	15	-	104
9242406	NEW	1	15	-	104
9242407	NEW	1	15	-	104

Order No.		DU 1	DU 2	DU 3	Page
9242430	-	1	15	-	100
9242431	-	1	15	-	100
9242432	-	1	15	-	100
9242433	-	1	15	-	100
9242434	-	1	15	-	100
9242435	NEW	1	15	-	100
9242507	-	1	-	-	343
9242509	-	1	-	-	343
9242510	-	1	-	-	343
9242511	-	1	-	-	343
9242515	-	1	-	-	343
9242516	-	1	-	-	343
9242517	-	1	-	-	343
9242518	-	1	-	-	343
9242519	-	1	-	-	343
9242522	-	1	-	-	344
9242523	-	1	-	-	343
9242524	-	1	-	-	343
9242525	-	1	-	-	343
9242530	-	1	-	-	342
9242531	-	1	-	-	342
9242532	-	1	-	-	342
9242533	-	1	10	-	342
9242534	-	1	10	-	342
9242535	-	1	10	-	342
9242536	-	1	-	-	344
9242537	-	1	-	-	344
9242538	-	1	-	-	344
9242574	-	1	15	-	343
9242600	-	1	15	-	99
9242625	-	1	15	-	99
9242626	-	1	15	-	99
9242627	-	1	15	-	99
9242640	SALE	1	15	-	99
9242646	-	1	40	-	97, 99, 104
9242647	-	1	40	-	97, 99, 104
9242648	-	1	40	-	97, 99, 104
9242649	-	1	40	-	97, 99, 104
9242650	-	1	15	-	98
9242651	SALE	1	15	-	98
9242652	SALE	1	15	-	98
9242653	SALE	1	15	-	98
9242654	-	1	15	-	98
9242655	-	1	15	-	98
9242656	-	1	15	-	98
9242657	-	1	15	-	98
9242658	-	1	15	-	98
9242659	-	1	15	-	98
9242660	-	1	15	-	98
9242661	-	1	15	-	98

Article quick search

Quick search

Order No.		DU 1	DU 2	DU 3	Page
9242662	SALE	1	15	-	98
9242663	-	1	15	-	98
9242800	-	1	15	-	96
9242801	-	1	15	-	96
9242802	-	1	15	-	96
9242803	-	1	15	-	96
9242804	-	1	15	-	96
9242805	-	1	15	-	96
9242806	-	1	15	-	96
9242807	-	1	15	-	96
9242808	-	1	15	-	96
9242809	-	1	15	-	96
9242810	-	1	10	-	96
9242811	-	1	10	-	96
9242812	-	1	10	-	96
9242813	NEW	1	10	-	96
9242814	NEW	1	10	-	96
9242900	-	1	10	-	343
9242901	-	1	10	-	343
9242902	-	1	10	-	343
9242903	-	1	10	-	343
9242904	-	1	10	-	343
9242905	-	1	-	-	344
9242906	-	1	15	-	343
9242908	-	1	15	-	344
9242909	-	1	10	-	343
9242920	-	1	-	-	342
9242921	-	1	-	-	342
9242925	-	1	-	-	342
9242930	-	1	-	-	342
9242939	-	1	-	-	342
9242942	NEW	1	10	-	342
9242943	NEW	1	10	-	342
9300000	SALE	1	10	60	122
9300001	SALE	1	10	60	126
9300003	SALE	1	10	60	134
9300009	SALE	1	10	60	130
9300022	SALE	1	10	60	124
9300040	SALE	1	14	-	189
9300044	SALE	1	10	60	128
9300065	SALE	1	14	-	188
9300079	SALE	1	10	60	138
9300080	SALE	1	10	60	142
9300082	SALE	1	10	60	140
9300088	SALE	1	10	60	136
9300093	SALE	1	16	-	187
9300300	NEW	1	10	60	120
9300301	NEW	1	10	60	125
9300302	NEW	1	10	60	121
9300303	NEW	1	10	60	133

Order No.		DU 1	DU 2	DU 3	Page
9300309	NEW	1	10	60	129
9300322	NEW	1	10	60	123
9300344	NEW	1	10	60	127
9300379	NEW	1	10	60	137
9300380	NEW	1	10	60	141
9300382	NEW	1	10	60	139
9300388	NEW	1	10	60	135
9310000	-	1	10	60	143
9310002	-	1	10	60	148
9310004	-	1	10	60	145
9310017	-	1	10	60	147
9310018	-	1	10	60	144
9310019	-	1	10	60	146
9320008	-	1	10	60	150
9320010	-	1	10	60	151
9320013	-	1	10	-	149
9330000	-	1	10	60	153
9330005	-	1	10	60	154
9340000	-	1	10	60	152
9360000	-	1	10	60	155, 245
9370000	SALE	1	10	60	201
9370007	SALE	1	25	-	210
9370008	SALE	1	18	-	211
9370009	SALE	1	18	-	213
9370021	-	1	-	-	215
9370031	-	1	50	-	215
9370032	-	1	50	-	214
9370033	-	1	-	-	214
9370040	-	1	-	-	215
9370041	SALE	1	18	-	212
9370300	NEW	1	10	60	200
9371000	SALE	1	10	60	207
9371300	NEW	1	10	60	206
9375000	SALE	1	10	60	203
9375004	SALE	1	10	-	205
9375300	NEW	1	10	60	202
9375304	NEW	1	10	60	204
9380001	-	1	5	-	157
9380002	-	1	-	-	157
9380003	-	1	5	-	157
9380004	-	1	-	-	157
9380005	-	1	5	-	156, 246
9380006	-	1	5	-	156, 246
9380007	-	10	40	-	156
9380013	-	1	-	-	156
9380014	-	1	15	-	155, 165-169, 172, 173
9380300	-	1	20	-	155
9380301	-	1	20	-	155
9500393	NEW	1	16	-	186

Order No.		DU 1	DU 2	DU 3	Page
9510003	-	1	10	-	241
9600100	-	1	6	12	34
9600200	-	1	6	12	35
9600400	-	1	6	12	36
9650000	-	1	20	-	37
9650001	-	1	20	-	37
9650002	-	1	10	-	37
9650003	-	1	10	-	37
9650004	-	1	20	-	37
9650005	-	1	20	-	37
9650100	-	1	20	-	38
9650101	-	1	20	-	38
9650102	-	1	20	-	39
9650103	-	1	20	-	39
9650104	-	1	20	-	39
9650105	-	1	20	-	38
9650106	-	1	20	-	38
9650107	-	1	20	-	39
9650108	-	1	20	-	39
9650109	-	1	20	-	38
9650110	-	1	20	-	38
9650500	-	1	-	-	337
9650501	-	1	-	-	337
9650502	-	1	-	-	337
9650503	-	1	-	-	337
9650504	-	1	-	-	337
9650505	-	1	-	-	337
9650551	-	1	3	-	338
9650552	-	1	3	-	338
9650553	-	1	-	-	338
9650554	-	1	-	-	338
9660000	-	1	-	-	40
9660001	-	1	-	-	40
9660002	-	1	-	-	40
9700004	-	1	12	-	26
9700200	-	1	4	8	12
9700201	NEW	1	4	8	13
9700204	-	1	6	-	14
9700600	-	1	4	-	15
9700601	-	1	-	-	27
9700602	-	1	-	-	27
9700900	-	1	4	-	336
9810003	-	1	-	-	71, 102
9810004	-	1	-	-	72, 103
9810012	NEW	1	-	-	67
9820000	-	1	-	-	163, 221
9820005	-	1	-	-	45, 163, 178, 195, 221, 227, 254

Order No.		DU 1	DU 2	DU 3	Page
9820011	-	1	-	-	42, 45, 164, 165, 167–171, 179, 180, 192, 194, 195, 222, 224, 228, 230, 252–254
9820012	-	1	-	-	45, 179–182, 194, 195, 228–230, 253, 254
9820013	-	1	-	-	45, 179–182, 194, 195, 228–230, 253, 254
9820014	-	1	-	-	45, 179–181, 194, 195, 228, 230, 253, 254
9820015	-	1	-	-	42, 43, 45, 164–173, 179–182, 192–195, 222–225, 228–230, 252–254
9820016	-	1	-	-	45, 179–182, 194, 228, 229, 253, 254
9820017	-	1	-	-	179–182, 194, 228, 229, 253, 254
9820018	-	1	-	-	163, 180–182, 194, 221, 228, 229, 254
9820019	-	1	-	-	163, 180–182, 194, 221, 228, 229, 254
9820020	-	1	-	-	83, 86, 110, 111, 163, 221
9820021	-	1	-	-	83, 86
9820022	-	1	-	-	80–83, 85, 86, 163, 180–182, 194, 221, 228, 229, 254
9820024	-	1	-	-	83, 86, 110, 111, 163, 221
9820025	-	1	-	-	45, 163, 180–182, 194, 221, 228, 229, 254
9820026	-	1	-	-	45, 163, 180–182, 194, 221, 228, 229, 254
9820027	-	1	-	-	179–182, 194, 228, 229, 253, 254

Article quick search

Quick search

Order No.		DU 1	DU 2	DU 3	Page
9820030	-	1	-	-	79
9820031	-	1	-	-	109–111, 182, 230, 254
9820034	-	1	-	-	173–175, 178, 252, 253
9820035	-	1	-	-	173–175, 178, 253
9820037	-	1	-	-	252
9820040	-	1	-	-	42, 43, 164–173, 192
9820041	-	1	-	-	165–170, 192
9820042	-	1	-	-	165–170, 192, 193
9820043	-	1	-	-	42, 43, 164–173, 192, 222, 223
9820047	-	1	-	-	178
9820048	-	1	-	-	222–224
9820049	-	1	-	-	222–225
9820050	-	1	-	-	222, 223
9820051	-	1	-	-	222–224
9820054	-	1	-	-	255
9820055	-	1	-	-	161, 176, 218, 253
9820057	-	1	30	-	42, 43, 164–173, 192, 193, 222–225, 252
9820059	-	1	-	-	173–175, 178, 253
9820065	-	1	-	-	252
9820066	-	1	-	-	252
9820067	-	1	-	-	173–175
9820070	-	1	-	-	174
9820071	-	1	-	-	42, 43, 165–170, 178, 192
9820073	-	1	-	-	224
9820074	-	1	-	-	176, 253
9820075	-	1	-	-	176, 253
9820076	-	1	-	-	176, 253
9820078	-	1	-	-	159, 169, 170
9820079	-	1	-	-	177
9820080	-	1	-	-	83, 110, 111
9820081	-	1	-	-	111
9820082	-	1	-	-	110
9820083	-	1	-	-	110
9820084	-	1	-	-	110
9820085	-	1	-	-	110, 111
9820086	-	1	-	-	110, 111
9820087	-	1	-	-	110
9820088	-	1	-	-	111
9820089	-	1	-	-	110, 111
9820090	-	1	-	-	110, 111

Order No.		DU 1	DU 2	DU 3	Page
9820091	-	1	-	-	83, 110, 111
9820092	-	1	-	-	83, 85, 110
9820093	-	1	-	-	110
9820094	-	1	-	-	83–85, 111
9820095	-	1	-	-	106
9820096	-	1	-	-	177
9820097	-	1	-	-	110, 111
9820098	-	1	-	-	110, 111
9820099	-	1	-	-	165, 166, 171, 172, 180, 181
9820100	-	1	-	-	166, 167, 172, 173, 222, 223
9820101	-	1	-	-	165, 166, 171, 172
9820103	-	1	-	-	164, 165, 167–171, 192, 222, 224, 252
9820125	-	1	-	-	255
9820126	-	1	-	-	159, 169, 170
9820127	-	1	-	-	159, 169, 170
9820128	-	1	-	-	247
9820129	-	1	-	-	111
9820133	-	1	-	-	253
9820134	-	1	-	-	42, 158, 164–173, 192, 252
9820135	-	1	-	-	222–224
9820136	-	1	10	-	42, 43, 159, 164–173, 192, 193, 218, 222–224, 252
9820137	-	1	10	-	159, 218
9820139	-	1	-	-	42, 43, 164–173, 192, 193, 222–225, 252
9820140	-	1	-	-	83–85
9820143	-	1	-	-	225
9820144	-	1	-	-	225
9820145	-	1	-	-	193
9820146	-	1	-	-	225
9820147	-	1	-	-	193
9820148	-	1	-	-	226
9820149	-	1	-	-	226
9820150	-	1	-	-	193, 225
9820151	-	1	-	-	226
9820152	-	1	-	-	226
9820153	-	1	-	-	226
9820161	-	1	-	-	196, 231
9820163	-	1	-	-	196, 231

Order No.		DU 1	DU 2	DU 3	Page
9820180	-	1	-	-	80–82, 85, 109, 110, 163, 221
9820181	-	1	-	-	79
9820188	-	1	-	-	195, 230
9820189	-	1	-	-	195, 230
9820191	-	1	-	-	45, 86, 178, 195, 226, 230
9820192	-	1	-	-	193, 195, 225, 230
9820194	-	1	-	-	195, 230
9820195	-	1	-	-	83, 85
9820196	-	1	-	-	80
9820197	-	1	-	-	109
9820198	-	1	-	-	83
9820199	-	1	-	-	83
9820200	-	1	-	-	83
9820201	-	1	-	-	83
9820202	-	1	-	-	84
9820203	-	1	-	-	84
9820204	-	1	-	-	84
9820205	-	1	-	-	85
9820206	-	1	-	-	85
9820213	-	1	-	-	182, 230, 255
9820214	-	1	-	-	158, 190, 217
9820215	-	1	-	-	195, 230
9820216	-	1	-	-	195, 230
9820217	-	1	-	-	195, 230
9820220	NEW	1	-	-	196, 231
9820221	-	1	-	-	195, 230
9820222	-	1	-	-	45, 163, 178, 195, 196, 221, 227, 231, 254
9820223	-	1	-	-	45, 161, 163, 179–182, 194, 219, 221, 228, 229, 253, 254
9820224	-	1	-	-	195, 196, 230, 231
9820229	-	1	-	-	45, 178, 195, 227, 254
9820231	-	1	-	-	45, 178, 195, 227, 254
9820233	-	1	-	-	45, 163, 178, 195, 221, 227, 254
9820241	-	1	-	-	86
9820245	-	1	-	-	255
9820246	-	1	-	-	182, 230, 255
9820249	-	1	-	-	81
9820250	-	1	-	-	193, 225
9820253	-	1	-	-	81
9820254	-	1	-	-	193

Order No.		DU 1	DU 2	DU 3	Page
9820255	-	1	-	-	225
9820256	-	1	-	-	225
9820259	-	1	-	-	167, 168
9820263	-	1	-	-	45, 80–83, 85, 86, 163, 178, 221, 226
9820264	-	1	-	-	161, 218, 251
9820275	-	1	-	-	196, 231
9820284	-	1	-	-	43, 80, 82, 84, 85
9820285	-	1	-	-	43
9820286	-	1	-	-	43
9820287	-	1	-	-	43
9820288	-	1	-	-	43
9820289	-	1	-	-	43
9820290	-	1	-	-	43
9820291	-	1	-	-	44
9820300	-	1	-	-	43
9820301	-	1	-	-	43
9820302	-	1	-	-	43
9820311	-	1	-	-	43
9820312	NEW	1	-	-	164, 167, 192, 222–224, 252
9820315	-	1	10	-	158
9820316	-	1	10	-	159, 218
9820317	-	1	-	-	42, 43, 158
9820324	-	1	10	-	218
9820326	-	1	-	-	86
9820327	-	1	-	-	83
9820328	-	1	-	-	81
9820329	-	1	-	-	42, 43
9820330	-	1	-	-	42, 43
9820331	-	1	-	-	179, 180, 194, 225, 228, 253, 254
9820332	-	1	-	-	42, 43, 164–178
9820333	-	1	-	-	42, 43, 164–178
9820335	-	1	-	-	42, 43, 164–178, 252
9820337	-	1	-	-	41, 162, 163, 191, 219, 221
9820339	-	1	-	-	192
9820340	-	1	-	-	171–173
9820341	-	1	-	-	171–173
9820342	-	1	-	-	171–173
9820346	-	1	-	-	85
9820347	-	1	-	-	80
9820348	-	1	-	-	164–173, 192
9820349	-	1	-	-	45, 86, 178, 226
9820350	-	1	-	-	43

Article quick search

Quick search

Order No.		DU 1	DU 2	DU 3	Page
9820351	-	1	-	-	18–20, 44
9820352	-	1	-	-	80
9820353	-	1	10	240	40, 45, 162, 163, 179–182, 190, 194, 195, 219, 221, 228–230, 253, 254, 256
9820354	-	1	-	-	54
9820356	-	1	-	-	18–20
9820357	-	1	-	-	18–20
9820360	-	1	-	-	18
9820361	-	1	-	-	18
9820362	-	1	-	-	18, 19
9820363	-	1	-	-	18, 19, 21
9820364	-	1	-	-	18, 19
9820365	-	1	-	-	18
9820366	-	1	-	-	20
9820367	-	1	-	-	20
9820369	-	1	-	-	80
9820370	-	1	-	-	80
9820371	-	1	-	-	336
9820372	-	1	-	-	45, 163, 180–182, 194, 221, 228, 229, 254
9820373	-	1	-	-	45, 163, 179–182, 194, 221, 228, 229, 253, 254
9820374	-	1	-	-	45, 163, 179–182, 194, 221, 228, 229, 253, 254
9820375	-	1	-	-	195, 230
9820376	-	1	-	-	195, 230
9820382	-	1	-	-	44, 163, 179, 193, 221, 227, 256
9820383	-	1	-	-	44, 163, 179, 193, 221, 227, 256
9820390	-	1	-	-	80, 82, 107–109, 163, 221
9820391	-	1	-	-	81
9820392	-	1	-	-	81
9820393	-	1	-	-	81
9820394	-	1	-	-	162, 191, 220
9820397	-	1	-	-	80
9820398	-	1	-	-	44, 179, 193, 227, 256

Order No.		DU 1	DU 2	DU 3	Page
9820400	-	1	-	-	170
9820403	-	1	-	-	18, 19
9820404	-	1	-	-	18, 19
9820405	-	1	-	-	18, 19
9820406	-	1	-	-	18, 19
9820420	-	1	-	-	45, 178, 195, 227, 254
9820422	-	1	-	-	18, 19
9820423	-	1	-	-	20
9820424	-	1	-	-	176, 226
9820425	-	1	-	-	44
9820426	-	1	-	-	82
9820427	-	1	-	-	108
9820433	-	1	-	-	108
9820434	-	1	-	-	108
9820435	-	1	-	-	108
9820436	-	1	-	-	108
9820437	-	1	-	-	168, 169
9820440	-	1	-	-	226
9820446	-	1	-	-	196, 231
9820447	-	1	-	-	42, 43, 164–178, 192
9820459	-	1	-	-	84
9820460	-	1	-	-	84, 85
9820461	-	1	-	-	246
9820462	-	1	-	-	246
9820464	-	1	-	-	16
9820465	-	1	-	-	20
9820469	-	1	-	-	18, 19
9820470	-	1	-	-	176, 226
9820471	-	1	-	-	18, 19
9820474	NEW	1	-	-	82
9820475	NEW	1	-	-	82
9820476	NEW	1	-	-	82
9820477	NEW	1	-	-	82
9820478	NEW	1	-	-	82
9820479	NEW	1	-	-	82
9820480	NEW	1	-	-	82
9820481	NEW	1	-	-	82
9820484	NEW	1	-	-	18–20
9820493	NEW	1	-	-	43, 80, 82, 84, 85
9820495	NEW	1	-	-	179–181, 194, 228, 229, 253
9820496	NEW	1	250	-	179–181, 194, 228, 229, 253
9820497	NEW	1	200	-	80–83, 85, 86
9820498	NEW	1	200	-	80–83, 85, 86
9820499	NEW	1	-	-	179–181, 194, 228, 229, 253

Order No.		DU 1	DU 2	DU 3	Page
9820533	-	1	-	-	107–109
9820534	-	1	-	-	109
9820535	-	1	-	-	109
9820537	-	1	-	-	107
9820538	-	1	-	-	107
9820540	-	1	-	-	107–109
9820545	-	1	-	-	107–109
9820546	-	1	-	-	107–109
9820550	-	1	-	-	107
9820553	-	1	-	-	176, 226
9820554	-	1	-	-	107–109
9820557	-	1	-	-	81
9820558	-	1	-	-	81
9820559	-	1	-	-	81
9820560	-	1	-	-	81
9820568	NEW	1	-	-	164–166, 168, 169, 171, 172
9820569	NEW	1	-	-	164–166, 168, 169, 171, 172
9820575	NEW	1	-	-	42, 43
9880036	-	1	-	-	44, 46, 159
9880037	-	1	-	-	159
9880046	-	1	-	-	16, 160
9880047	-	1	-	-	15, 216
9880048	-	1	-	-	15, 216
9880049	-	1	-	-	159
9880052	-	1	-	-	160
9880053	-	1	-	-	160
9880054	-	1	-	-	160
9880056	-	1	10	60	16, 190
15201070	NEW	1	-	-	298
15201072	NEW	1	-	-	299
15201080	NEW	1	-	-	298
15201082	NEW	1	-	-	299
15201090	NEW	1	-	-	298
15201092	NEW	1	-	-	299
15221000	NEW	1	150	-	302
15230070	NEW	1	-	-	300
15230080	NEW	1	-	-	300
15230090	NEW	1	-	-	300

Assortment changes

Order No.	Designation	State/Change	Substitute
600704	TECEDrainline shower channel, straight, 700 mm factory fitted sealing sleeve	Dropped	
600804	TECEDrainline shower channel, straight, 800 mm factory fitted sealing sleeve	Dropped	
600904	TECEDrainline shower channel, straight, 900 mm factory fitted sealing sleeve	Dropped	
601004	TECEDrainline shower channel, straight, 1000 mm factory fitted sealing sleeve	Dropped	
601204	TECEDrainline shower channel, straight, 1200 mm factory fitted sealing sleeve	Dropped	
601504	TECEDrainline shower channel, straight, 1500 mm factory fitted sealing sleeve	Dropped	
660020	TECEDrainline mechanical odour trap for TECEDrainline drains	NEW	
668034	TECEDrainline-Evo levelling points	NEW	
669001	TECEDrainline sample channels, tiled	Dropped	
669003	TECEDrainline exhibition grate, type A	Dropped	
669004	TECEDrainline exhibition grate, type B	Dropped	
670821	TECEDrainprofile shower profile, 800 mm, brushed stainless steel, black	NEW	
670921	TECEDrainprofile shower profile, 900 mm, brushed stainless steel, black	NEW	
671021	TECEDrainprofile shower profile, 1000 mm, brushed stainless steel, black	NEW	
671221	TECEDrainprofile shower profile, 1200 mm, brushed stainless steel, black	NEW	
671600	TECEDrainprofile shower profile, 1600 mm, brushed stainless steel	NEW	
675019	TECEDrainprofile profile lid in brushed stainless steel, black, for 800-1000 mm	NEW	
3660013	TECE grate frame stainless steel 150 x 150 incl. tileable channel "plate"	NEW	
3660014	TECEshowerpoint grate frame stainless steel, 150 mm, frameless tile base	NEW	
9018012	TECEprofil holding magnet	NEW	
9020020	TECEprofil fitting connection	Dropped	
9020045	TECEprofil fitting connection	Dropped	
9041006	TECEprofil toilet connection unit with TECE cistern, front actuated	SALE	9041306
9041008	TECEbox Uni cistern including mounting plate, installation height 1060 mm	SALE	9041308
9041306	TECEprofil toilet connection unit with Uni cistern	NEW	
9041308	TECE Uni cistern including mounting plate, installation height 1060 mm	NEW	
9240416	TECESolid toilet flush plate, matte black, for dual-flush system	NEW	
9240417	TECEnow toilet flush plate, matte white	NEW	
9240443	TECESolid toilet electronics, anti-theft device	NEW	
9240451	TECESolid toilet electronics with touch-free actuation, 12 V mains, bright chrome	NEW	
9240452	TECESolid toilet electronics with touch-free actuation, 12 V mains, bright white	NEW	
9240453	TECESolid toilet electronics with touch-free actuation, 12 V mains, white matt	NEW	
9240454	TECESolid toilet electronics with touch-free actuation, 12 V mains, brushed stainless steel (with anti-fingerprint)	NEW	
9240455	TECESolid toilet flush plate with electronic, touch-free actuation, 12 V mains, matte black	NEW	
9240461	TECESolid toilet electronics with touch-free actuation, 6 V battery, bright chrome	NEW	
9240462	TECESolid toilet electronics with touch-free actuation, 6 V battery, bright white	NEW	
9240463	TECESolid toilet electronics with touch-free actuation, 6 V battery, white matt	NEW	
9240464	TECESolid toilet electronics with touch-free actuation, 6 V battery, brushed stainless steel (with anti-fingerprint)	NEW	
9240465	TECESolid toilet flush plate with electronic, touch-free actuation, 6 V battery, matte black	NEW	
9240507	TECEloop toilet flush plate exhibit plastic, white	Dropped	
9240509	TECEloop toilet flush plate exhibit plastic, matte chrome	Dropped	
9240510	TECEloop toilet flush plate exhibit plastic, bright chrome	Dropped	
9240512	TECEloop glass toilet flush plate exhibit, mint green glass, white buttons	Dropped	
9240513	TECEloop glass toilet flush plate exhibit, mint green glass, matte chrome buttons	Dropped	
9240514	TECEloop glass toilet flush plate exhibit, mint green glass, bright chrome buttons	Dropped	
9240523	TECEloop toilet flush plate exhibit plastic, white, bright chrome buttons	Dropped	
9240529	TECEloop glass toilet flush plate exhibit, grass green glass (Burgbad), white buttons	Dropped	
9240548	TECEloop glass toilet flush plate exhibit, orange glass, white buttons	Dropped	
9240549	TECEloop glass toilet flush plate exhibit, slate slab, bright chrome buttons	Dropped	

Order No.	Designation	State/Change	Substitute
9240552	TECEloop glass toilet flush plate exhibit, grass green glass (Burgbad), matte chrome buttons	Dropped	
9240581	TECEsolid toilet electronics, flush plate exhibit, brushed stainless steel (with anti-fingerprint)	NEW	
9240583	TECEvelvet toilet flush plate, exhibit, Nero Ingo / "Ingo" black	NEW	
9240584	TECEvelvet toilet flush plate, exhibit, Castoro Ottawa / "Ottawa" beige-brown	NEW	
9240586	TECEloop toilet flush plate, exhibit, concrete cover, round-brushed stainless steel buttons	NEW	
9240587	TECEloop toilet flush plate, exhibit, white marble, bright chrome buttons	NEW	
9240588	TECEloop toilet flush plate, exhibit, oak cover, matte black buttons	NEW	
9240600	TECEloop plastic toilet flush plate white dual-flush system	SALE	9240920
9240612	TECEloop cover for toilet flush plate, oak wood	NEW	
9240613	TECEloop cover for toilet flush plate, marble white	NEW	
9240614	TECEloop cover for toilet flush plate, light concrete	NEW	
9240615	TECEloop cover for toilet flush plate, evening blue glass	NEW	
9240616	TECEloop cover for toilet flush plate, titanium glass	NEW	
9240617	TECEloop cover for toilet flush plate, light beige glass	NEW	
9240618	TECEloop actuation unit for toilet flush plate, matte white buttons	NEW	
9240619	TECEloop actuation unit for toilet flush plate, matte black buttons	NEW	
9240625	TECEloop plastic toilet flush plate matt chrome dual-flush system	SALE	9240922
9240626	TECEloop plastic toilet flush plate bright chrome dual-flush system	SALE	9240921
9240627	TECEloop plastic toilet flush plate white bright chrome buttons dual-flush system	SALE	
9240640	TECEloop plastic toilet flush plate white antibac dual-flush system	SALE	
9240651	TECEloop toilet flush plate, green glass, white buttons, dual-flush system	SALE	
9240652	TECEloop toilet flush plate, green glass, chr. buttons, dual-flush system	SALE	
9240653	TECEloop toilet flush plate, green glass, bright chrome buttons dual-flush system	SALE	
9240670	TECEloop cover for toilet flush plate mint-green glass	SALE	
9240673	TECEloop cover for toilet flush plate orange glass	SALE	
9240676	TECEloop cover for toilet flush plate silver-grey glass	SALE	
9240677	TECEloop cover for toilet flush plate blue-grey glass	SALE	
9240680	TECEloop cover for toilet flush plate ivory glass	SALE	
9240683	TECEloop cover for toilet flush plate mirrored	SALE	
9240685	TECEloop cover for toilet flush plate grass-green glass	SALE	
9240730	TECEvelvet toilet flush plate Castoro Ottawa / Beige-Brown	NEW	
9240731	TECEvelvet toilet flush plate Grigio Londra / Anthracite	NEW	
9240732	TECEvelvet toilet flush plate Nero Ingo / Black	NEW	
9240733	TECEvelvet toilet flush plate Beige Arizona / Greige	NEW	
9240734	TECEvelvet toilet flush plate Grigio Efeso / Stone grey	NEW	
9240735	TECEvelvet toilet flush plate Bianco Kos / White	NEW	
9240740	TECEloop toilet flush plate exhibit plastic, white	NEW	
9240741	TECEloop toilet flush plate exhibit plastic, matte chrome	NEW	
9240742	TECEloop toilet flush plate exhibit plastic, matte black	NEW	
9240908	TECEnow toilet flush plate, exhibit, matte black	NEW	
9240912	TECEvelvet toilet flush plate, exhibit, Grigio Londra / "London" anthracite	NEW	
9240913	TECEvelvet toilet flush plate, exhibit, Beige Arizona / "Arizona" greige	NEW	
9240920	TECEloop toilet flush plate, plastic, for dual-flush system, white	NEW	
9240921	TECEloop toilet flush plate, plastic, for dual-flush system, bright chrome	NEW	
9240922	TECEloop toilet flush plate, plastic, for dual-flush system, matte chrome	NEW	
9240924	TECEloop toilet flush plate, plastic, for dual-flush system, black	NEW	
9240925	TECEloop toilet flush plate, plastic, for dual-flush system, matte black	NEW	
9240926	TECEloop toilet flush plate, plastic, for dual-flush system, matte white	NEW	
9240927	TECEloop toilet flush plate plastic for dual-flush system, white, bright chrome buttons	NEW	
9240976	TECEflushpoint pneumatic remote release for Uni cistern, shell set	NEW	

Assortment changes

Quick search

Order No.	Designation	State/Change	Substitute
9240977	TECEflushpoint pneumatic remote release for Octa cistern, shell set	NEW	
9240978	TECEflushpoint pneumatic remote release for dual-flush system, fine installation set, with square cover, white	NEW	
9240979	TECEflushpoint pneumatic remote release for dual-flush system, fine installation set, with square cover, bright chrome	NEW	
9240980	TECEflushpoint pneumatic remote release for dual-flush system, fine installation set, with square cover, matte chrome	NEW	
9240981	TECEflushpoint pneumatic remote release for dual-flush system, fine installation set, with round cover, white	NEW	
9240982	TECEflushpoint pneumatic remote release for dual-flush system, fine installation set, with round cover, bright chrome	NEW	
9240983	TECEflushpoint pneumatic remote release for dual-flush system, fine installation set, with round cover, matte chrome	NEW	
9240984	TECEflushpoint pneumatic remote release for single-flush system, fine installation set, with square cover, white	NEW	
9242018	TECEfilo-Velvet urinal electronics, Bianco Kos, 7.2 V battery	NEW	
9242019	TECEfilo-Velvet urinal electronics, Bianco Kos, 230 V mains	NEW	
9242020	TECEfilo-Velvet urinal electronics, Castoro Ottawa, 7.2 V battery	NEW	
9242021	TECEfilo-Velvet urinal electronics, Castoro Ottawa, 230 V mains	NEW	
9242022	TECEfilo-Velvet urinal electronics, Grigio Londra, 7.2 V battery	NEW	
9242023	TECEfilo-Velvet urinal electronics, Grigio Londra, 230 V mains	NEW	
9242024	TECEfilo-Velvet urinal electronics, Nero Ingo, 7.2 V battery	NEW	
9242025	TECEfilo-Velvet urinal electronics, Nero Ingo, 230 V mains	NEW	
9242026	TECEfilo-Velvet urinal electronics, Beige Arizona, 7.2 V battery	NEW	
9242027	TECEfilo-Velvet urinal electronics, Beige Arizona, 230 V mains	NEW	
9242028	TECEfilo-Velvet urinal electronics, Grigio Efeso, 7.2 V battery	NEW	
9242029	TECEfilo-Velvet urinal electronics, Grigio Efeso, 230 V mains	NEW	
9242043	TECEfilo-Solid urinal electronics matte black 230 V mains	NEW	
9242044	TECEfilo-Solid urinal electronics matte black 7.2 V battery	NEW	
9242406	TECEnow urinal flush plate, matte black	NEW	
9242407	TECEnow urinal flush plate, matte white	NEW	
9242435	TECESolid urinal flush plate, matte black	NEW	
9242512	TECEloop urinal flush plate exhibit glass, mint green glass, white button	Dropped	
9242513	TECEloop urinal flush plate exhibit glass, mint green glass, matte chrome button	Dropped	
9242514	TECEloop urinal flush plate exhibit glass, mint green glass, bright chrome button	Dropped	
9242640	TECEloop plastic urinal flush plate incl. cartridge white antibac	SALE	
9242651	TECEloop urinal flush plate incl. cartridge green glass, white button	SALE	
9242652	TECEloop urinal flush plate incl. cartridge green glass, matt chrome button	SALE	
9242653	TECEloop urinal flush plate incl. cartridge green glass, bright chrome button	SALE	
9242662	TECEloop urinal flush plate incl. cartridge mint green glass, brushed stainless steel button	SALE	
9242813	TECESquare urinal flush plate with cartridge Metal, matte black	NEW	
9242814	TECESquare urinal flush plate with cartridge Metal, matte white	NEW	
9242942	TECEfilo-Velvet urinal plate, exhibit, Castoro Ottawa / "Ottawa" beige-brown	NEW	
9242943	TECEfilo-Velvet urinal plate, exhibit, Grigio Londra / "London" anthracite	NEW	
9300000	TECEprofil toilet module with Uni cistern, installation height 1120 mm	SALE	9300300
9300001	TECEprofil toilet module with Uni cistern, installation height 820 mm	SALE	9300301
9300003	TECEprofil toilet module with Uni cistern, with connection for odour extraction, installation height 1120 mm	SALE	9300303
9300009	TECEprofil toilet Geronto module, with Uni cistern, in accordance with DIN 18040-1, installation height 1120 mm	SALE	9300309
9300022	TECEprofil toilet module with Uni cistern, installation height 980 mm	SALE	9300322
9300040	TECEconstruct toilet module with Octa cistern, 8 cm, installation height 1200 mm	SALE	9300500

Order No.	Designation	State/Change	Substitute
9300044	TECEprofil toilet module TECEprofil with Uni cistern, for TOTO Neorest AC/EW shower toilet, installation height 1120 mm	SALE	9300344
9300065	TECEconstruct toilet module with Octa cistern, 8 cm, installation height 1200 mm	SALE	9300502
9300079	TECEprofil toilet module with Uni cistern for universal connection of a shower toilet, installation height 1120 mm	SALE	9300300
9300080	TECEprofil toilet module with Uni cistern for universal connection of a shower toilet, installation height 820 mm	SALE	9300301
9300082	TECEprofil toilet module with Uni cistern for universal connection of a shower toilet, installation height 980 mm	SALE	9300322
9300088	TECEprofil toilet module with Uni cistern, for children's floor-standing toilet, installation height 1120 mm	SALE	9300388
9300093	TECEconstruct toilet module with Uni cistern, four standing feet, installation height 1120 mm	SALE	9500393
9300300	TECEprofil toilet module with Uni cistern, installation height 1120 mm	NEW	
9300301	TECEprofil toilet module with Uni cistern, installation height 820 mm	NEW	
9300302	TECEprofil toilet module with Uni cistern, installation height 1120 mm	NEW	
9300303	TECEprofil toilet module with Uni cistern, with connection for odour extraction, installation height 1120 mm	NEW	
9300309	TECEprofil WC Geronto module with Uni cistern, ceramic attachment for sitting height of 48 cm, to DIN 18040-1, installation height 1120 mm	NEW	
9300322	TECEprofil toilet module with Uni cistern, installation height 980 mm	NEW	
9300344	TECEprofil toilet module TECEprofil with Uni cistern, for TOTO Neorest Washlet (WC) AC 2.0/EW 2.0, installation height 1120 mm	NEW	
9300379	TECEprofil toilet module with Uni cistern, for universal connection of a shower toilet, installation height 1120 mm	NEW	
9300380	TECEprofil toilet module with Uni cistern for universal connection of a shower toilet, installation height 820 mm	NEW	
9300382	TECEprofil toilet module with Uni cistern, for universal connection of a shower toilet, installation height 980 mm	NEW	
9300388	TECEprofil toilet module with Uni cistern, for children's floor-standing toilet, installation height 1120 mm	NEW	
9310011	TECEprofil washst. module as. h. 980 mm	Dropped	9310018
9370000	TECEbox toilet module with Uni cistern, installation height 1060 mm	SALE	9370300
9370007	TECEbox Octa cistern, 8 cm, for floor-standing toilet, with reinforcement fabric, installation height 1110 mm	SALE	9370500
9370008	TECEbox toilet module with Octa cistern, 8 cm, for wall toilet, installation height 1110 mm	SALE	9370501
9370009	TECEbox toilet module with Octa cistern, 8 cm, for wall toilet, sound-insulated, installation height 1120 mm	SALE	9370501
9370041	TECEbox toilet module with Uni cistern, 8 cm, with connection for odour extraction, installation height 1110 mm	SALE	9370502
9370044	TECEbox toilet module with Uni cistern, incl. assembly feet and toilet sound insulation set, installation height 1060 mm	Dropped	
9370300	TECEbox toilet module with Uni cistern, installation height 1060 mm	NEW	
9371000	TECEbox toilet module with Uni cistern, with tileable front facing, installation height 1110 mm	SALE	9371300
9371300	TECEbox toilet module with Uni cistern, with tileable front facing, installation height 1110 mm	NEW	
9375000	TECEbox toilet module with Uni cistern and tile base front, installation height 820 mm	SALE	9375300
9375004	TECEbox toilet module with Uni cistern, installation height 820 mm	SALE	9375304
9375300	TECEbox toilet module with Uni cistern and tile base front, installation height 820 mm	NEW	
9375304	TECEbox toilet module with Uni cistern, installation height 820 mm	NEW	
9500393	TECEconstruct toilet module with Uni cistern, four feet, installation height 1120 mm	NEW	
9700201	TECEone toilet ceramics with shower function, cold water	NEW	
9810012	TECE transformer for toilet electronics including power cable	NEW	
9820220	TECEbox O-ring valve seat for cisterns up to 8.5 cm inst. depth	NEW	
9820312	TECE spare part bare wall toilet plug for flush pipe and drain bend	NEW	

Assortment changes

Order No.	Designation	State/Change	Substitute
9820474	TECESolid WC electronics 230 V, Spare part cover plate brushed stainless steel (with anti-fingerprint)	NEW	
9820475	TECESolid WC electronics 230 V, Spare part cover plate bright chrome	NEW	
9820476	TECESolid WC electronics 230 V, Spare part cover plate bright white	NEW	
9820477	TECESolid WC electronics 230 V, Spare part cover white matt	NEW	
9820478	TECESolid WC electronics 6 V, Spare part cover plate brushed stainless steel (with anti-fingerprint)	NEW	
9820479	TECESolid WC electronics 6 V, Spare part cover plate bright chrome	NEW	
9820480	TECESolid WC electronics 6 V, Spare part cover plate bright white	NEW	
9820481	TECESolid WC electronics 6 V, Spare part cover white matt	NEW	
9820484	TECE spare part seal for TECEone flush pipe connection	NEW	
9820493	TECE spare part actuation motor for Uni and Octa cisterns	NEW	
9820495	TECE spare part closure plug Uni cistern	NEW	
9820496	TECE spare part "easy fit" attachment	NEW	
9820497	TECE spare part "easy fit" attachment screws	NEW	
9820498	TECE spare part "easy fit" actuation rods	NEW	
9820499	TECE spare part installation tunnel incl. polystyrene block	NEW	
9820561	TECE spare part drain valve A 5	NEW	
9820562	TECE spare part reinforced hose for Octa cistern	NEW	
9820563	TECE spare part flush pipe Octa cistern	NEW	
9820565	TECE spare part cistern Octa II	NEW	
9820567	TECE spare part C profile long for module foot	NEW	
9820568	TECE spare part bare-wall protection for shower toilet connection	NEW	
9820569	TECE spare part attachment clips and conduit	NEW	
9820575	TECE Uni cistern for TECElux modules	NEW	
9820576	TECE spare part TECEbox flush pipe with odour extraction DN 50 left	NEW	
9820577	TECE spare part TECEbox flush pipe with odour extraction DN 50 right	NEW	
9820578	TECE spare part TECEprofil flush pipe with odour extraction DN 50 left	NEW	
9820579	TECE spare part TECEprofil flush pipe with odour extraction DN 50 right	NEW	
9850016	TECEprofil starter set	Dropped	
15201070	TECEShowerline set, channel without flange, 700 mm	NEW	
15201072	TECEShowerline natural stone set, channel 700 mm	NEW	
15201080	TECEShowerline set, channel without flange, 800 mm	NEW	
15201082	TECEShowerline natural stone set, channel 800 mm	NEW	
15201090	TECEShowerline set, channel without flange, 900 mm	NEW	
15201092	TECEShowerline natural stone set, channel 900 mm	NEW	
15221000	TECEShowerline odour trap	NEW	
15230070	TECEShowerline shower channel, 700 mm	NEW	
15230080	TECEShowerline shower channel, 800 mm	NEW	
15230090	TECEShowerline shower channel, 900 mm	NEW	