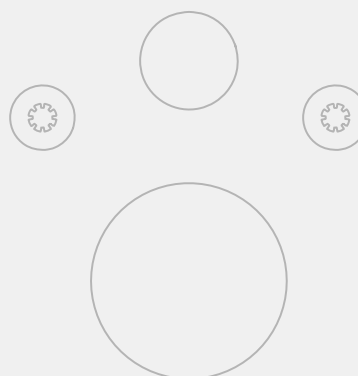


Sanitary systems

TECElux

TECHNICAL GUIDELINES



Introduction	1-4
Design	1-4
Advanced features	1-5
Product range	1-6
TECElux module	1-8
Upper glass facings with actuation unit	1-10
Lower glass attachment facings for toilet attachment	1-10
Accessories	1-12
Shell installation	1-13
Installation in a TECEprofil pre-wall	1-13
Installation as an individual module in front of a solid wall	1-14
Installation in a floor-to-ceiling C-profile metal stud wall	1-18
Installation in floor-to-ceiling metal stud wall with UA-profiles	1-18
Installation in a wooden stud wall	1-19
Attaching individual modules to the floor	1-20
Connecting the drain bend	1-20
Panel facing and wall construction	1-20
Power supply	1-23
Power and water connection with TECEone	1-25
Fine installation	1-26
Lower glass attachment facing for standard toilet	1-26
Lower glass attachment facing for shower toilet and seats	1-28
Lower glass attachment facing for TECEone	1-35
Upper glass facing with manual actuation unit	1-38
Upper glass facing with electronic actuation	1-39
Programming the sen-Touch electronics	1-42

TECElux – Introduction

Introduction

The TECElux toilet terminal conceals the working parts behind the wall. An extremely flat glass facing closes the inspection opening and conceals the cistern, connections for water and power and, depending on the version, an odour extraction or height adjustment for the ceramic.

Design

With its simple aesthetics, TECElux blends in with the architecture of any bathroom. The terminal's large glass surface consists of two parts that give the appearance of a single unit. The glass facing serves as a splash guard for the wall and means that the wall does not have to be tiled.

The toilet terminal can be combined with practically any ceramic and even with shower toilets.

TECElux has already received numerous awards for its intelligent combination of design and function.



reddot design award
winner 2011



product
design award

2012



INNOVATIONSPREIS

ARCHITEKTUR+TECHNIK



Designpreis
Deutschland
2012
NOMINIERT

DESIGN PLUS



Advanced features

Electronic “sen-Touch” flush actuation



A simple touch with the finger actuates the flush. The flush can also be activated without contact, by moving to within in a 10 mm range. A sensor ensures energy-saving consumption – and effortless toilet flushing.

With the manual actuation option, the flush is actuated via buttons. These are available in various colours and material variants.

“ceramic-Air” air purification system



Odours are drawn away at the source, and the cleaned air is passed back into the room. There is no need for any additional fresh air which would first have to be warmed. The air purification system starts when someone approaches, and stops automatically after a short run-on time. This avoids unnecessary power consumption. The activated carbon filter has a long life and does not have to be replaced until around five years.

Note: Certain ceramics are not suitable for using “ceramic-Air” – see the table on page 8-8.

“m-Lift” height adjustment



TECElux enables you to adjust the height of the toilet ceramic at any time, even after the module has been installed. The ceramic does not have to be removed to do this. The height can be continuously adjusted in an 8 centimetre range by means of an adjusting spindle. The glass front moves with the ceramic, so the overall appearance is not marred by any joints or gaps.

“smart-Connect” interface



Additional functions on the toilet require space, and frequently also a power connection or extra water connection. Up until now, the technology was simply added on to the ceramic, and the water and power lines were laid visibly next to the toilet. These makeshift solutions are now a thing of the past.

The new toilet terminal takes equal account of aesthetic and functional factors: TECElux integrates the system components into the pre-wall module invisibly and safely. The large inspection opening is covered by a flat glass facing that permits quick access to the components behind it at any time.

As an open interface between the toilet functions and the bathroom architecture, the toilet terminal can be combined with virtually any ceramic and also with shower toilets.

TECElux – Range

Product range

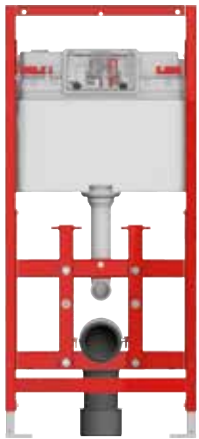
A TECElux toilet terminal always consists of:

(A) a TECElux module

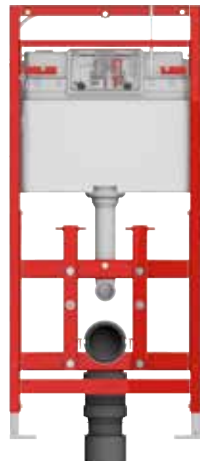
(B) an upper flush plate and

(C) a lower facing for toilet attachment and notches for different power and water connections.

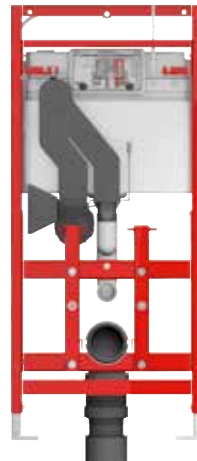
A TECElux module



TECElux 100
Order no. 9600100



TECElux 200
Order no. 9600200



TECElux 400
Order no. 9600400

B Upper flush plate



"sen-Touch" (w)
Order no. 9650002
"sen-Touch" (s)
Order no. 9650003



White buttons (w)
Order no. 9650000
Black buttons (s)
Order no. 9650005

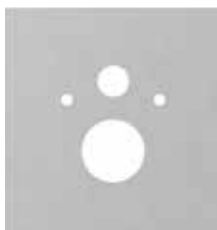


Bright chrome buttons (w)
Order no. 9650001
Bright chrome buttons (s)
Order no. 9650004

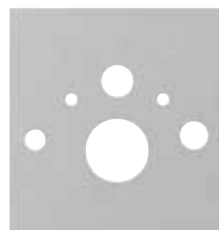


TECElux toilet terminal (w/s)

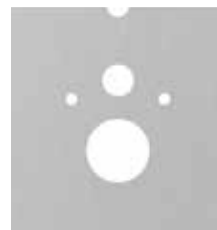
C Lower attachment facing



Standard toilet (w)
Order no. 9650100
Standard toilet (s)
Order no. 9650105










Shower toilet (w)
Order no. 9650101
Order no. 9650103
Order no. 9650104
Shower toilet (s)
Order no. 9650106
Order no. 9650107
Order no. 9650108



Shower toilet seat (w)
Order no. 9650102

(w) = white glass, (s) = black glass

C Overview of lower attachment facings and accessories for toilets and shower toilets

							
	9650100 (w) 9650105 (s)	9660001	9650101 (w) 9650106 (s)	9650102 (w)	9650103 (w) 9650107 (s)	9650104 (w) 9650108 (s)	9650109 (w) 9650110 (s)
Standard ceramics (connection dimension 180 mm)	X						
TOTO Neorest AC * TOTO Neorest EW *		X	X				
TOTO Washlet CF TOTO Washlet EK (with side connections: TCF6632G#NW1) TOTO Washlet GL (with side connections: TCF6532G#NW1) TOTO Washlet Giovanni		X		X			
TOTO Washlet SG TOTO Washlet EK (with concealed connections: TCF6632C3GV1) TOTO Washlet GL (with concealed connections: TCF6532C3GV1)		X				X	
Duravit D-Code		X		X			
Duravit Sensowash Starck Duravit Sensowash Slim					X		
Villeroy & Boch Viclean U		X		X			
Villeroy & Boch Viclean U+		X				X	
Villeroy & Boch Viclean L					X		
Geberit AquaClean 8000 Geberit AquaClean 8000 plus			X				
Geberit AquaClean 5000 Geberit AquaClean 5000 plus				X			
Geberit AquaClean Sela Geberit AquaClean Mera						X	
Grohe Sensia Grohe Sensia Arena						X	
TECEone							X

* TECElux 400 not required, as odour extraction is already included with the TOTO Neorest.

When using the "sen-Touch" upper flush plate, the TOTO remote actuation remains without function.
If using the manual actuation, order control cable (order no. 9820259).

(w) = white glass, (s) = black glass

TECElux – Range

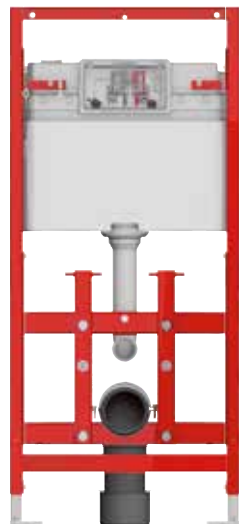
TECElux module

The TECElux module is a dry-wall construction element, available in three different versions. All modules consist of the same self-supporting, stable mounting frame and the tried and trusted TECE dual-flush cistern.

Other common components:

- Robust, self-supporting mounting frame. All toilet modules are statically self-supporting and can withstand a max. load of 400 kg.
- Can be installed in a C-profile, UA-profile, TECEprofil or wooden stud wall. Corner installation also possible.
- For combination with the upper glass facing with actuation unit and the lower toilet glass facing
- For standard ceramics with a fixing centre of 180 mm.
- Integrated foot brake facilitates height adjustment.
- Adjustable foot support for floor construction of 0 to 200 mm. For attaching to the floor or on a TECEprofil rail.
- Toilet drain bend with DN 90/100 adapter.
- Clearly visible meter marking sticker.

TECElux 100 module



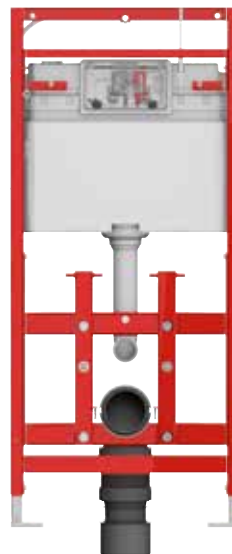
With TECE concealed cistern and dual-flush technology.

The flush is actuated mechanically by buttons or electronically via “sen-Touch”.

The module can be optionally fitted with the “ceramic-Air” air purification system (only in conjunction with the “sen-Touch” upper glass facing with actuation unit).

Order no. 9600100

TECElux 200 module



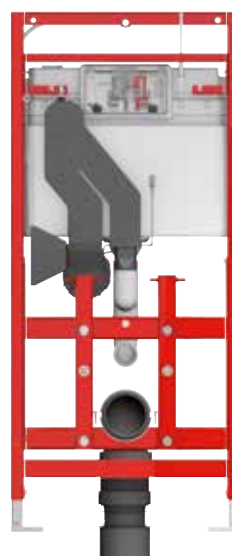
With TECE concealed cistern, dual-flush technology and manual height adjustment.

The flush is actuated mechanically by buttons or electronically via “sen-Touch”.

The module can be optionally fitted with the “ceramic-Air” air purification system (only in conjunction with the “sen-Touch” upper glass facing with actuation unit).

Order no. 9600200

TECElux 400 module

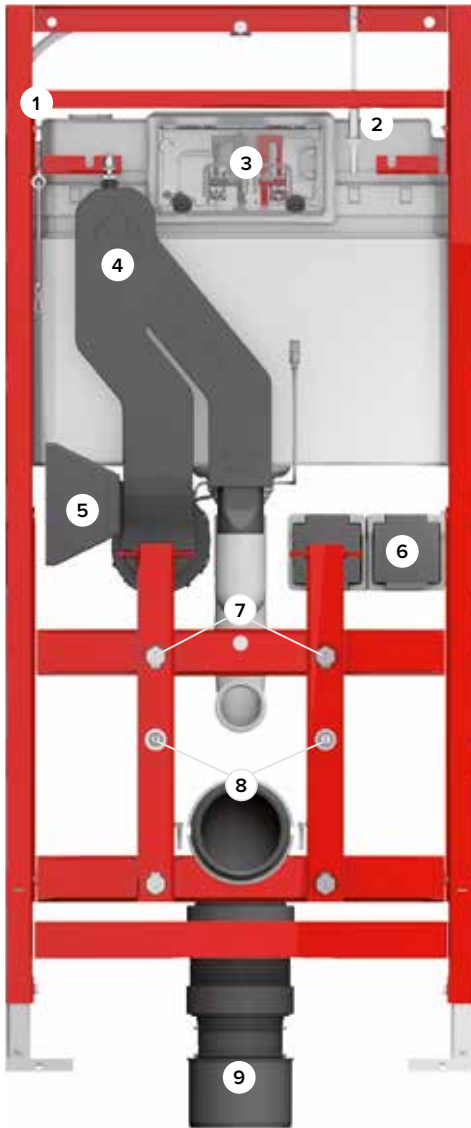


With TECE concealed cistern, dual-flush technology, manual height adjustment and “ceramic-Air” air purification system.

The flush is only actuated electronically (sen-Touch).

Order no. 9600400

TECElux 400 module technology



- 1) flexible water connection (concealed)
- 2) set screw for height adjustment
- 3) electronic dual-flush activation
- 4) "ceramic-Air" odour extraction
- 5) exit opening for cleaned air, activated carbon filter
- 6) power connection, sockets*
- 7) depth-adjustable support for the lower glass facing
- 8) holding bolts for ceramic
- 9) flexible drain bend

* not within the scope of delivery

Note:

It is possible to install the "ceramic-Air" odour extraction system in all well-known toilet ceramics. However, the flushing water remains standing in the flush pipe of some ceramics with a higher sitting position or higher flushing rim, resulting in the bowl becoming partially or completely full.

The following table lists ceramics for which the use of "ceramic-Air" was not possible at the time this document was written:

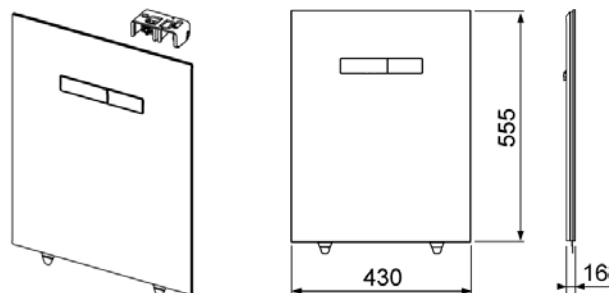
Manufacturer	Product	Item no.
Catalano	Zero	1VSxxN00
Duravit	Strength 1	021009
	Strength 3	221509
	Architec (Duraplus)	254609
Ideal Standard	Mia/SimplyU	J4521xx
	SoftMood	T3226xx
	Ventuno Stand-WC	T3161xx
Keramag	4U RimFree	203460
	500 by Citterio - tief	202100
	CASSINI - tief	203200
	EMANI by Citterio - tief	207800
	ERA - tief	208800
	It! RimFree	201950
	Plus 4	202010
	Silk - flach	203670
	Visit	2063xx
Laufen	LP3	20681
Villeroy & Boch	Omnia classic	66 65 10
	Omnia O.novo	66 95 10

TECElux – Range

Upper glass facings with actuation unit

Upper glass facings with manual operating unit

Upper glass facing for TECElux module with two-spring mounted actuation buttons.



Including actuating rods and mounting material.

Dimensions: 430 x 555 x 16 mm

Design in white glass, white buttons:

Order No. 9650000

Design in white glass, bright chrome buttons:

Order No. 9650001

Design in black glass, black buttons:

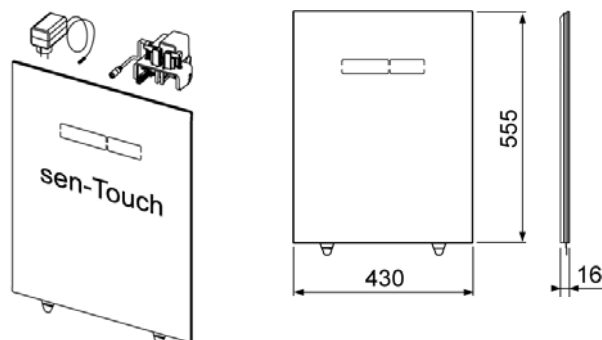
Order No. 9650005

Design in black glass, bright chrome buttons:

Order No. 9650004

Upper glass facing with electronic “sen-Touch” actuation

Upper glass facing with actuation unit for TECElux module with electronic “sen-Touch” actuation buttons and mounting material.



Incl. plug-in power pack (230 V connection voltage) with dual-flush actuation motor

Dimensions: 430 x 555 x 16 mm

Design in white glass

Order no. 9650002

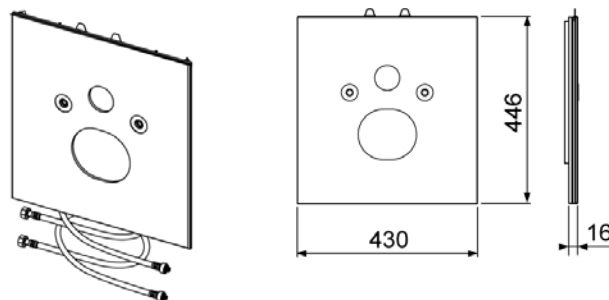
Design in black glass

Order no. 9650003

Lower glass attachment facings for toilet attachment

Lower glass facing for TECEone

Lower glass facing for combination with the TECEone ceramic with shower function.



Includes sound-insulation kit and two long reinforced pipes for the hot and cold water connections.

Dimensions: 430 x 445 x 16 mm

Design in white glass

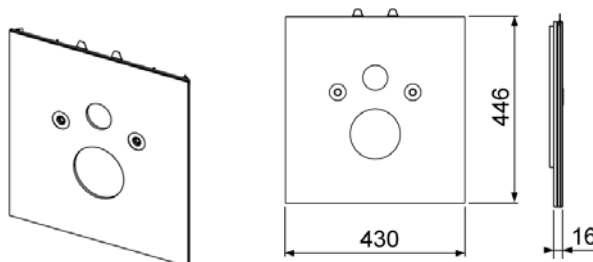
Order no. 9650109

Design in black glass

Order no. 9650110

Lower glass attachment facing for standard toilet

Lower glass facing for combination with toilet ceramics, distance 180 mm.



incl. sound insulation kit

Dimensions: 430 x 445 x 16 mm

Design in white glass

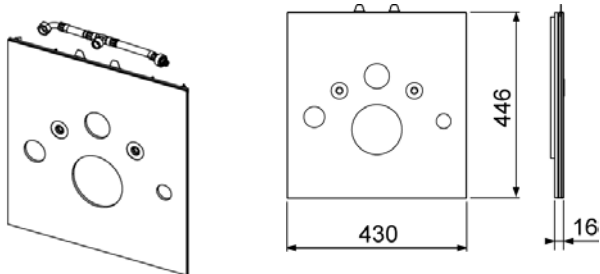
Order no. 9650100

Design in black glass

Order no. 9650105

Untere Befestigungsglasplatte für Dusch-WC (TOTO, Geberit)

Lower glass facing for combination with shower toilet TOTO Neorest AC and EW or Geberit AquaClean 8000/8000 plus.



incl. sound insulation kit and replacement reinforced pipe for cistern.

If a TOTO shower toilet is installed, use shower toilet connection set (9660001).

Dimensions: 430 x 445 x 16 mm

Design in white glass

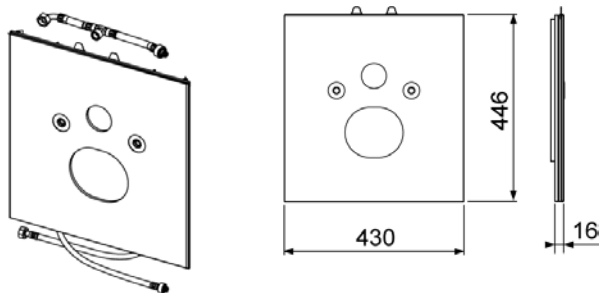
Order no. 9650101

Design in black glass

Order no. 9650106

Lower glass facing for Duravit shower toilet.

Lower glass facing for combination with Duravit shower toilet SensoWash C.



incl. sound insulation kit, replacement reinforced pipe and long reinforced pipe.

Dimensions: 430 x 445 x 16 mm

Design in white glass

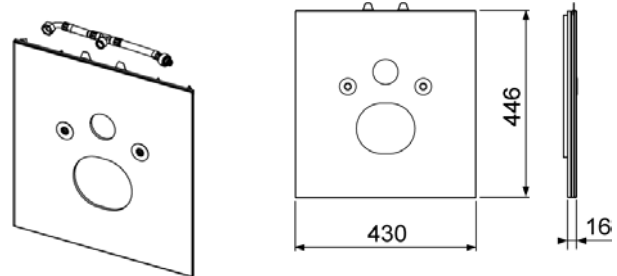
Order no. 9650103

Design in black glass

Order no. 9650107

Lower glass facing for Geberit Aquaclean Sela shower toilet.

Lower toilet glass facing for combination with Geberit AquaClean Sela shower toilet.



incl. sound insulation kit, and long reinforced pipe.

Dimensions: 430 x 445 x 16 mm

Design in white glass

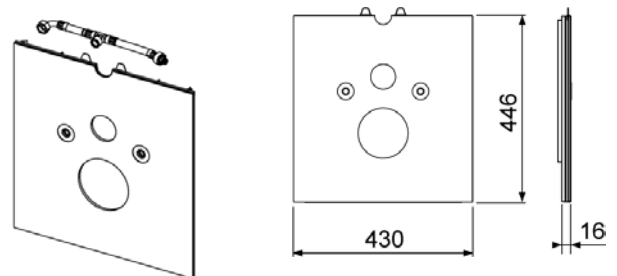
Order no. 9650104

Design in black glass

Order no. 9650108

Lower glass facing for shower toilet seat

Lower glass facing for combination with shower toilet seat TOTO Washlet GL and EK, Washlet Giovannoni, V & B viClean U and Geberit Aquaclean 5000 and 5000 plus.



incl. sound insulation kit and replacement reinforced pipe for cistern.

If a TOTO shower or V & B shower toilet seat is installed, use shower toilet connection set (9660001).

Dimensions: 430 x 445 x 16 mm

Design in white glass

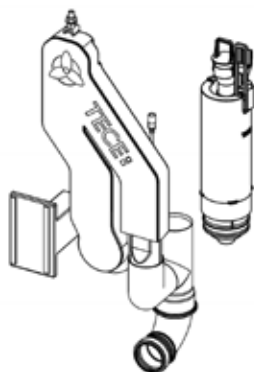
Order no. 9650102

TECElux – Range

Accessories

“ceramic-Air” extraction upgrade kit

Upgrade kit for subsequent installation of “ceramic-Air” odour extraction for TECElux 100 or TECElux 200 toilet terminals.

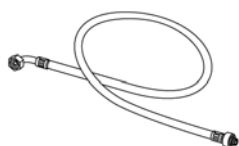


Upgrade kit consists of:

- odour extraction housing incl. fan and air outlet
- Filter cartridge
- Mounting materials
- Flush pipe with connection for odour extraction
- Drain valve

Order no. 9660000

Connection set for shower toilet



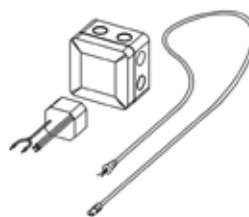
Connection set comprising:

- long reinforced hose with connection for TOTO Neorest, TOTO Washlet and V & B ViClean U

Order no. 9660001

Connection set for electrical connection

For fixed electrical connection of the “sen-Touch” glass facing in protection area II.

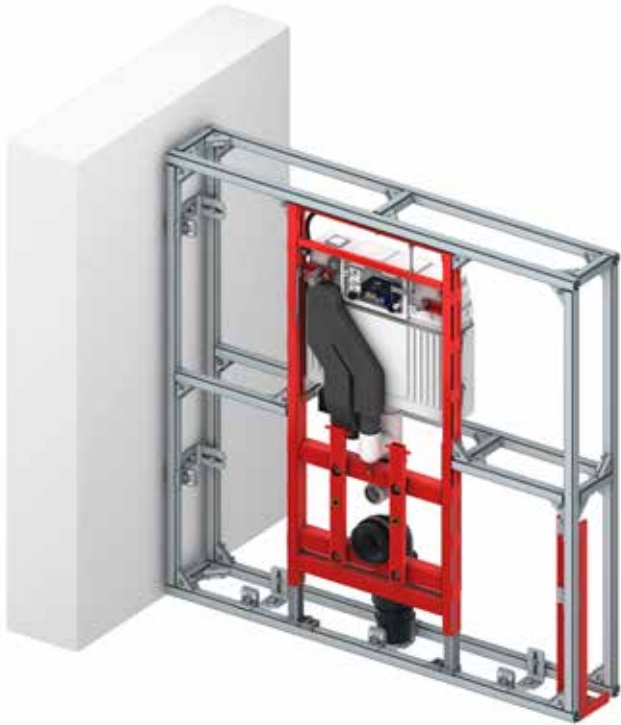


Connection set comprising:

- Empty socket, protection class IP 44
- Transformer 230/12 V.
- “sen-Touch” connection cable

Order no. 9660002

TECElux – Shell installation



Installation in a free-standing TECEprofil wall

Installation as an individual module in front of a solid wall

The TECElux module is also suitable for individual mounting. Compatible attachments are available for various installation situations. The TECElux module is statically designed so that, in standard cases, it only has to be attached to the load-bearing structural shell at four points. The mounting material supplied with the attachment units is suitable for mounting on solid walls. Use suitable cavity plugs when mounting in front of lightweight partition walls. The partition wall should also be reinforced at the mounting points. The procedure should be followed in line with the dry-wall construction.

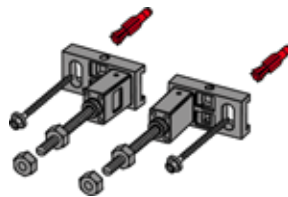
Take into account the installation instructions for the dry-wall system used.

Individual mounting with depth-adjustable universal attachments

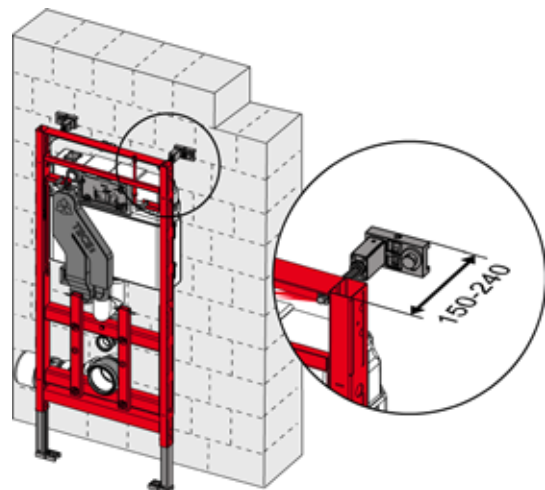


Individual mounting with depth-adjustable universal attachments

The universal module is placed directly against the wall. The pre-wall depth can be adjusted using the universal attachments. The module's height can be adjusted by means of the extractable module feet. The foot brake prevents the module from sinking down. In this way, the module can be accurately positioned before the module feet and universal attachments are attached to the structure.

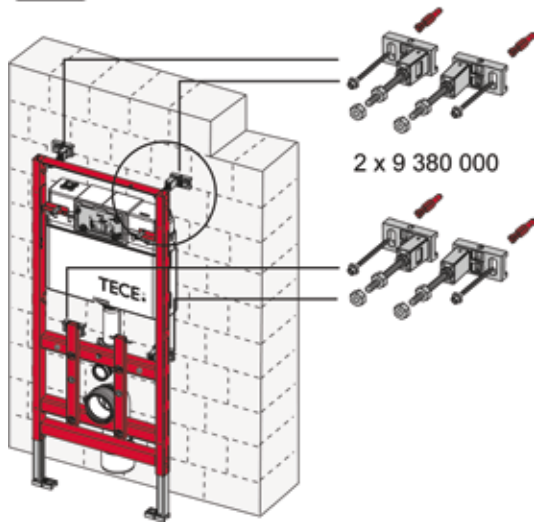


Universal attachment 9380000



Adjustment range of universal attachment 150-240 mm

When using the TECElux 100 without barriers in front of a solid wall, an additional mounting set is required in the module's bowl area.



Adjustment range of universal attachment 150-240 mm

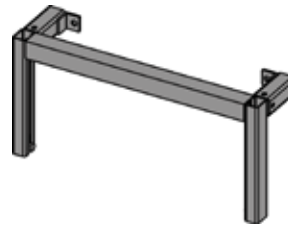
Mounting in this way with four attachments is sufficient to meet the increased static demands of a barrier-free toilet system. The second mounting set is not required for TECElux 200 or 400 due to the stronger frame construction.

Individual assembly with height-adjustable module attachment

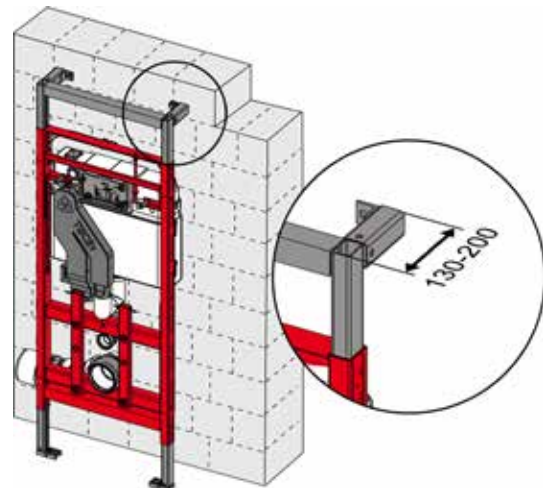


Individual assembly with height-adjustable module attachment

With the height- and depth-adjustable module attachment, variable supporting structure heights of 1160 mm to 1300 mm can be achieved. In this way, for instance, the height of the module can be adjusted to suit a given tile pattern.



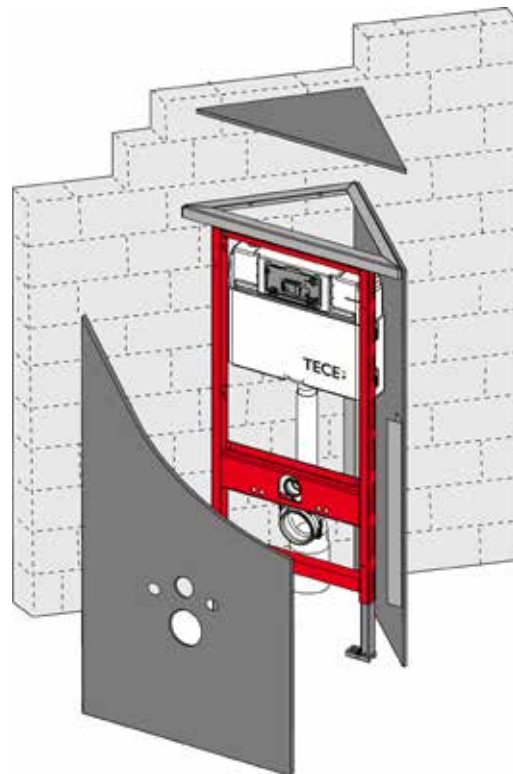
Universal attachment 9380002



Adjustment range of the height-adjustable module attachment 130-200 mm

TECElux – Shell installation

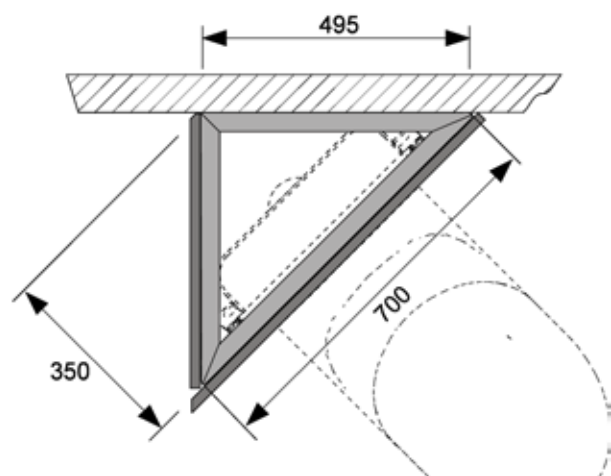
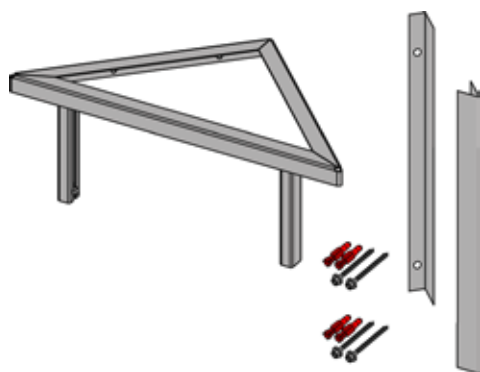
Installation with module attachment for wall corner installation



Individual module installation with module attachment for wall corner installation

With the module attachment for wall corner installation, TECElux modules can be attached to a solid structural wall at an angle of 45°. In the process, only one side is screwed into the structure. Two angle brackets are included for mounting the panel facing. Thanks to the small side length of the attachment, structures with a base area of just 0.14 m² are possible.

Mounting the module attachment for wall corner installation



Dimensions of module attachment for wall corner installation

Module attachment for wall corner installation 9380004

Installation with module attachment for variable corner installation

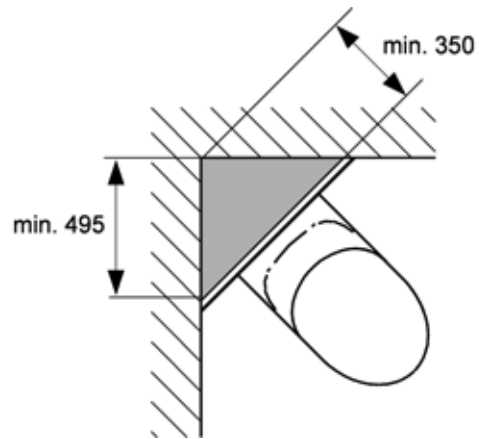


Module attachment for variable corner installation 9380003

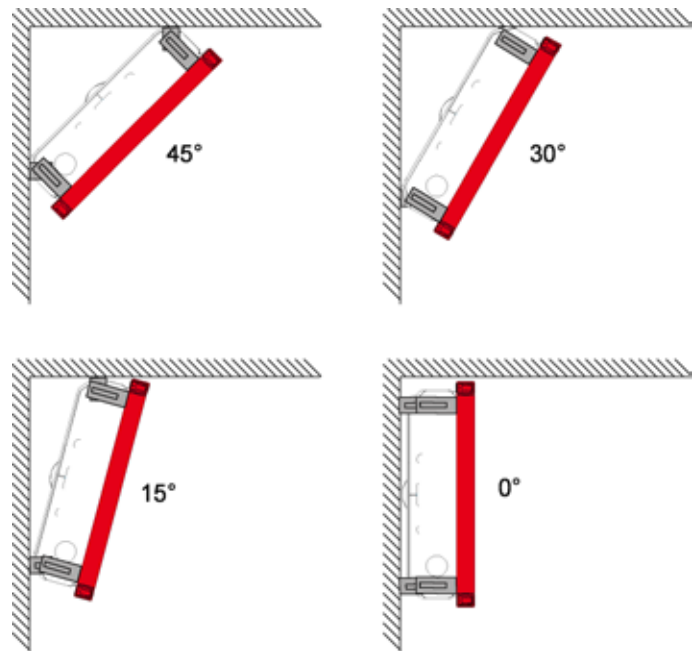


Installation of module attachment for variable corner installation

The universal module can be directly attached to the structure with the corner attachment. The corner attachment enables a TECEprofil brace to be mounted in parallel. A storage surface can be created with two TECEprofil panels, an angle bracket and a corner attachment. The corner installation requires very little space. The mounting set has a side length of just 49.5 cm. The depth from the front edge of the module up to the corner is only 35 cm. Despite the small installation depth, it is possible to install a DN 100 drainage pipe behind a toilet module.



Dimensions of module attachment for variable corner installation



Installation examples with module attachments for variable corner installations

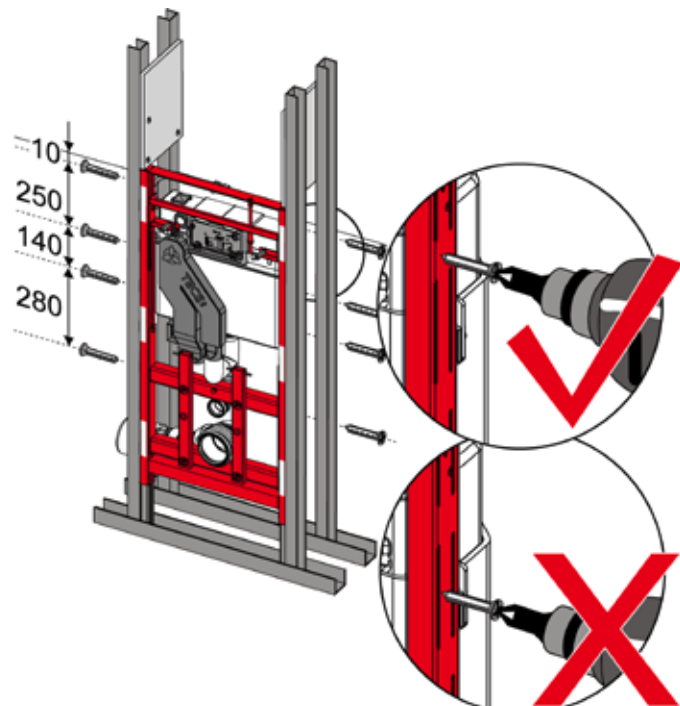
TECElux – Shell installation

Installation in a floor-to-ceiling C-profile metal stud wall



Installation in a floor-to-ceiling C-profile metal stud wall

In double-stud walls, the individual stud rows must be tightly connected to each other in accordance with DIN 18183. To achieve this, 30 cm long brackets are screwed between the C-profiles. Two reinforcement brackets must be attached directly above the universal module. Using the supplied self-tapping screws, the module is screwed to each of the four points with the wall profiles. The module feet are at the front under the horizontal C-profile and can be dowelled to the floor.



Module attachment with installation in a floor-to-ceiling C-profile metal stud wall

Follow the installation instructions for the dry-wall system used.

Installation in floor-to-ceiling metal stud wall with UA-profiles



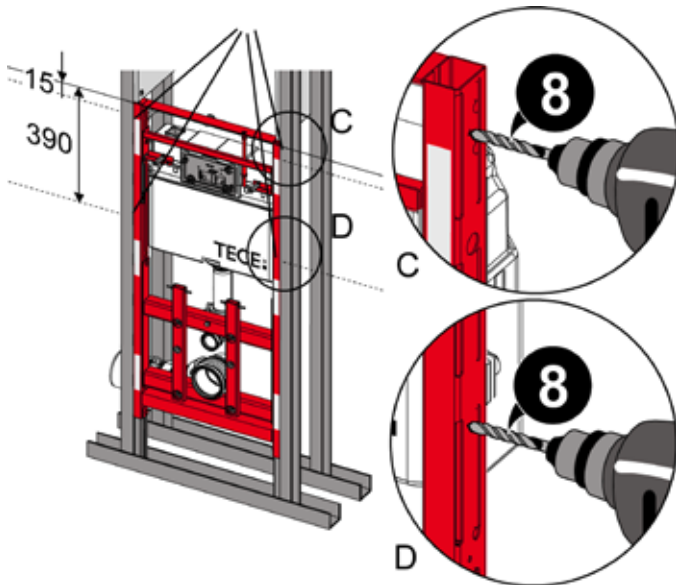
Installation in a floor-to-ceiling UA-profile metal stud wall

If particularly wide or high walls have a higher rigidity, UA-profiles (DIN 18182 part 1) can be used instead of C-profiles. This measure is only relevant for toilet and bidet modules.

For a disabled toilet facility only UA-profiles may be used for the front and rear struts for strength reasons. The installation of toilet facilities in public places for disabled and elderly people must be carried out in accordance with DIN 18040-1.

To attach a TECElux module 200 or 400, two holes (8 mm) must be drilled on both sides of the TECElux module frame at a distance of 15 and 390 mm beneath the upper edge of the module.

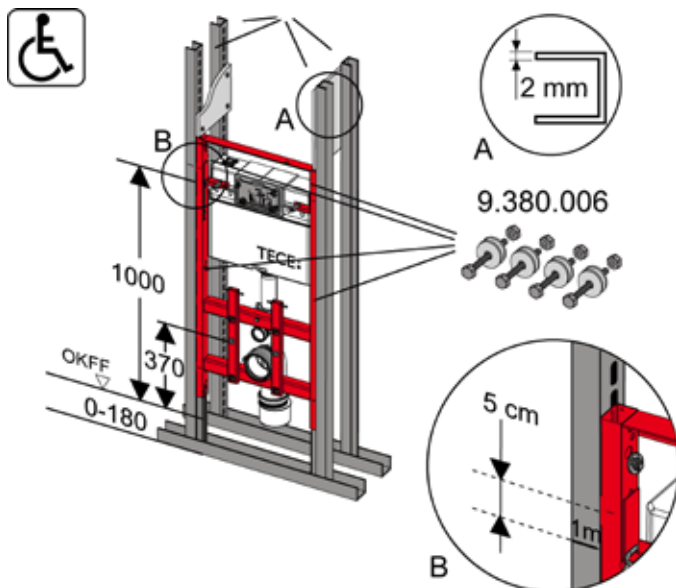
The module is then attached to the UA profile using mounting set (9380006).



Installation in a wooden stud wall



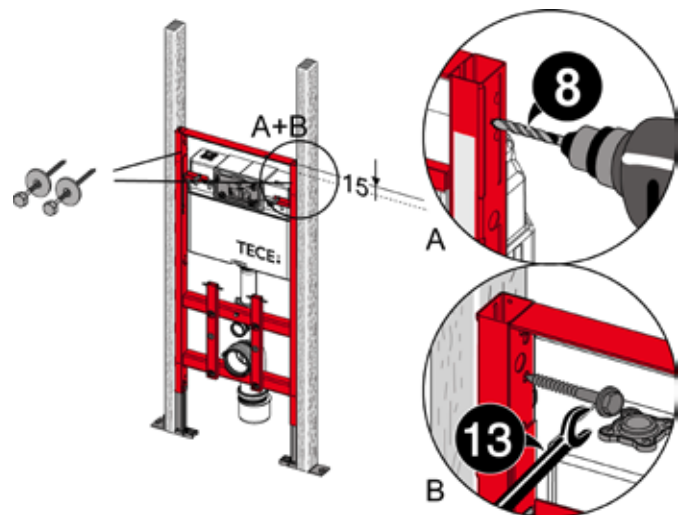
Mounting holes must be drilled to attach the module



Module attachment with installation in a floor-to-ceiling UA-profile metal stud wall

Installation in a wooden stud wall

In addition to metal stud walls, the module can also be installed in wooden stud walls in accordance with DIN 4103-1. For this purpose, the frame can be mounted using special wood screws (order number 9380005) on the vertical struts.



Module attachment during installation in a wooden stud wall

To attach a TECElux module 200 or 400, two holes (8 mm) must be drilled on both sides of the TECElux module frame at a distance of 15 and 390 mm beneath the upper edge of the module. The module is then attached to the wooden studs.

TECElux – Shell installation

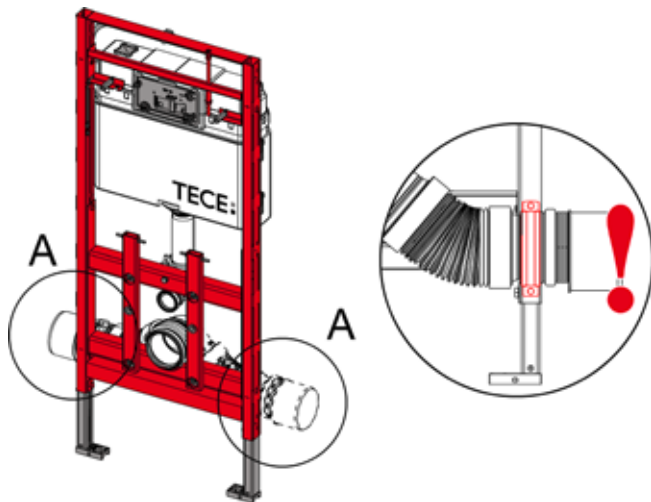
Attaching individual modules to the floor

Unless screwed tightly to a section tube, the feet of the TECElux modules should be attached to the bare floor using the screws and dowels supplied. In the process, the entire length of the dowels must be anchored in the screed. The screed's compression strength must be at least 5 N/mm². If mounting on a wooden floor, reliable fastening to the floor structure must be ensured.

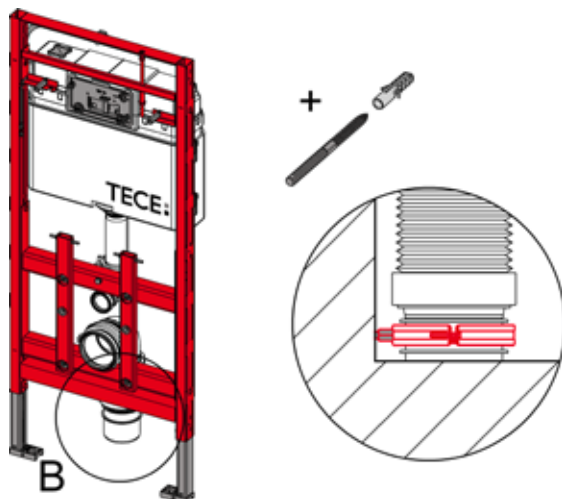
Connecting the drain bend

A connection to the DN 90 or DN 100 connecting sleeve can be created using the drain bend. It is possible to create a welded connection with the DN 90 connection trims of the flexible drain bend (only on modules with "m-Lift" function, TECElux 200 and 400).

The flexible drain bend can be installed horizontally on both sides, or vertically downwards.

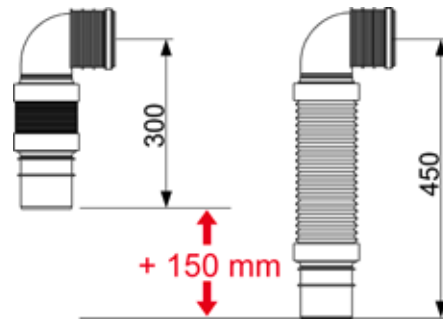


Horizontal installation of the flexible drain bend (TECElux 200 and 400)



Vertical installation of the flexible drain bend (TECElux 200 and 400)

If installed horizontally, the fastening clip is directly screwed onto the module frame. If installed vertically, the clip must be screwed into the wall.



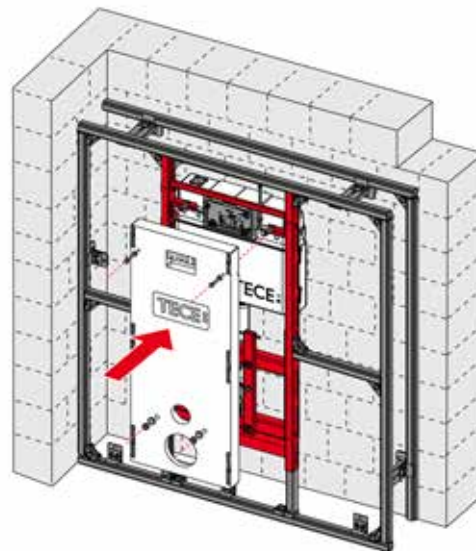
Flexible length extension

If the flexible drain bend is used, cleaning spirals should not be inserted as they could damage the flexible element.

Panel facing and wall construction

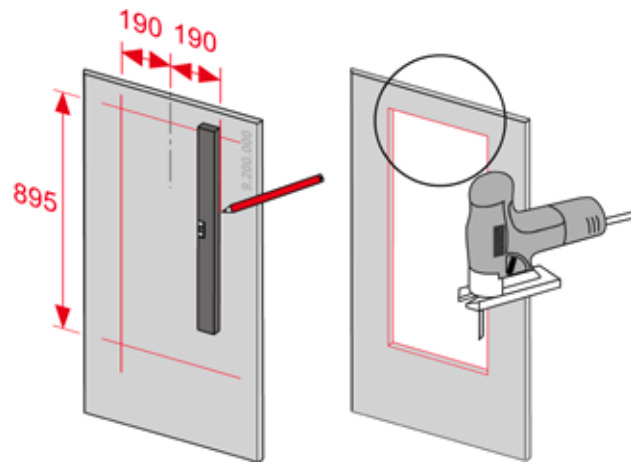
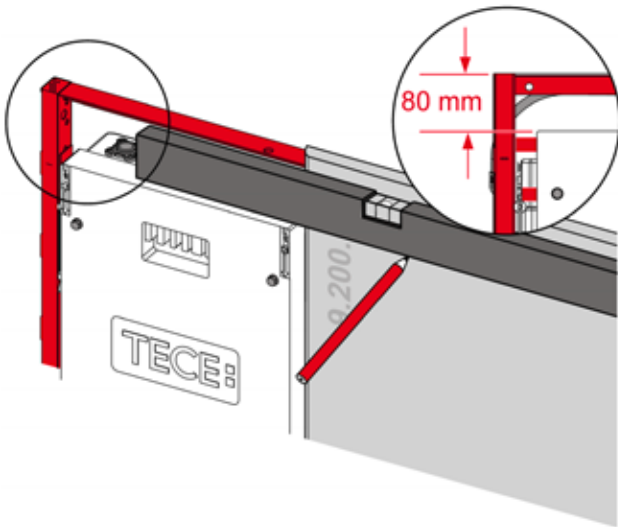
The pre-wall is clad with conventional wet room boards (e.g. TECEprofil panel plates 9200000), at least 18 mm or 2 x 12.5 mm.

The large bare-wall protection must also be mounted.



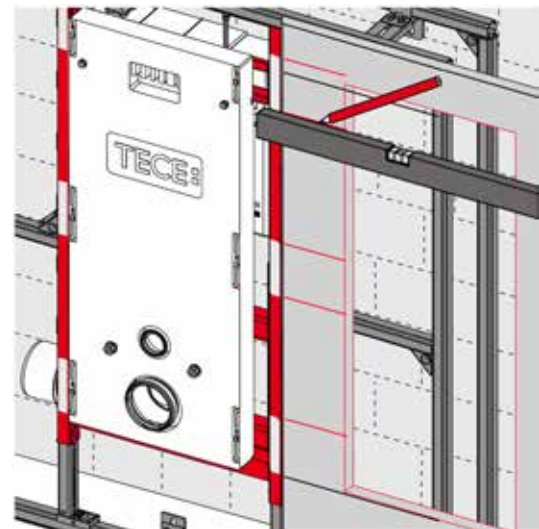
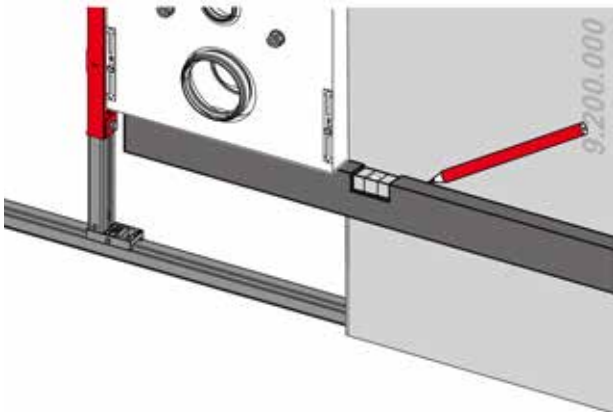
Attach the bare-wall protection to the module.

Transfer the exact dimensions of the bare-wall protection to the plaster board.



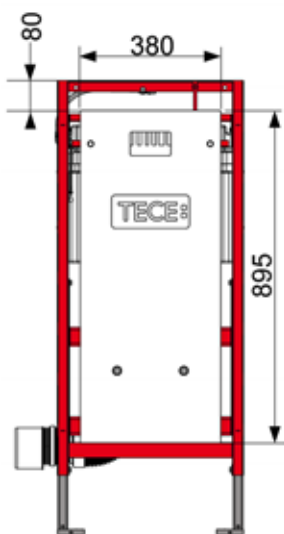
Cutting out the wall recess

To ensure height adjustment of both TECElux 200/400 modules, the module frames should not be drilled through in certain areas. These are indicated by 2 x 3 stickers on the frame.

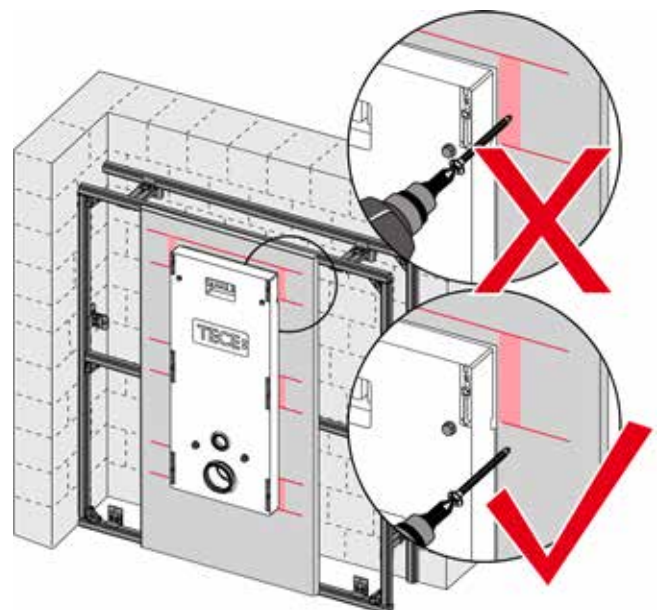


Transfer the markings to the plaster board

Transfer the top and bottom markings to the panel plates.



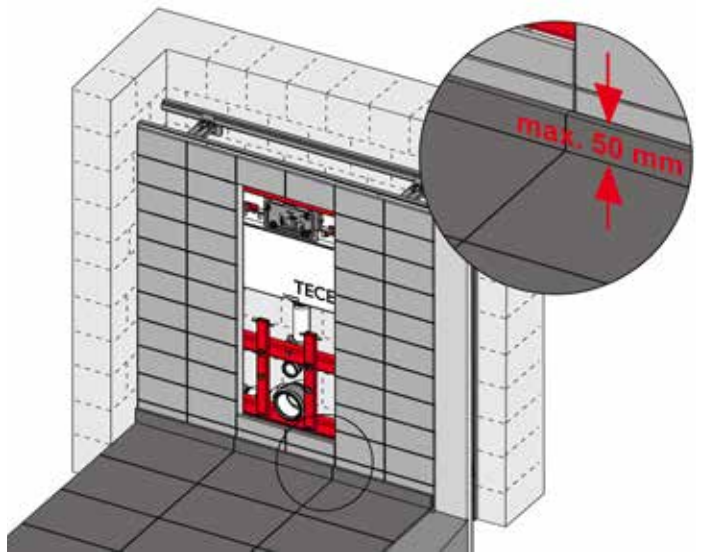
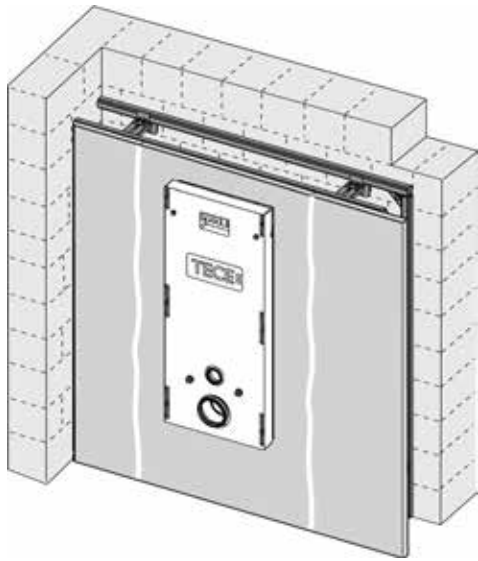
Dimensions of bare-wall protection or wall recess



Do not drill through the indicated areas

TECElux – Shell installation

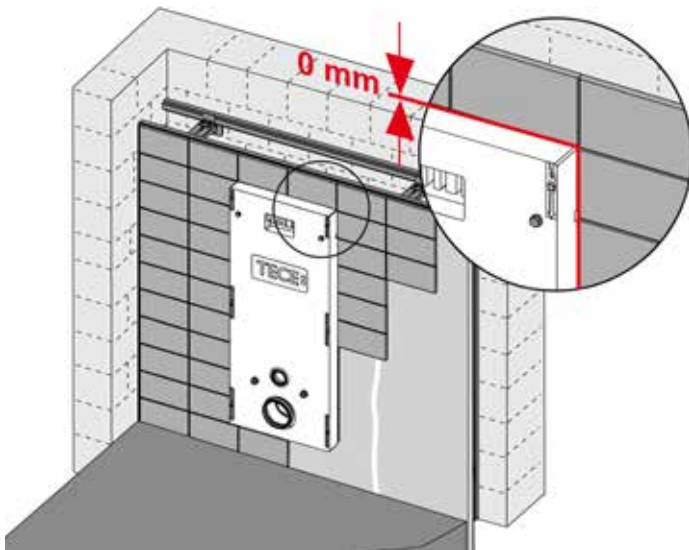
After attaching the panel plates, cover the welts.



Plinth height max. 50 mm

Covering welts of the plaster board.

When tiling the wall, make sure that the wall covering is applied seamlessly right up to the bare-wall protection.



Applying the wall covering

When tiling the floor, make sure that the plinth height is maximum 50 mm, otherwise the lower glass attachment facing could collide with the plinth.

Power supply

Electrical requirements and safety zones in bathrooms

DIN VDE 0100-701 (0100 part 701) 2010-08 applies to rooms in which a person washes in a bath and/or shower, and in which baths and/or shower devices are permanently attached.

These rooms also include rooms with prefabricated bath, shower or whirlpool devices and shower spaces without shower tray (e.g. with TECEdrainline shower channels). The standard does not apply to rooms with showers which are only used in an emergency, e.g. emergency showers in laboratories.

The safety zones in these rooms are divided into three classes:

Zone 0 – pertains to the bathtub or shower tray area. Electrical devices are prohibited in this zone.

Zone 1 – is limited by

- the finished floor surface area and the horizontal surface area at the height of the highest permanently attached shower head or water outlet, or the surface area up to 225 cm vertically above the finished floor.
- the outer edges of the bathtub or shower tray,
- the inner edges of the walled tray,
- the surface area at a distance of 120 cm from the permanently attached shower head or water outlet.

This zone also includes the surface area under the bathtub or shower tray. Electrical devices are also prohibited in this zone.

Zone 2 – is limited by

- the finished floor surface area and the horizontal surface area at the height of the highest permanently attached shower head or water outlet, or the surface area up to 225 cm vertically above the finished floor.
- the surface area at a distance of 60 cm to zone 1.

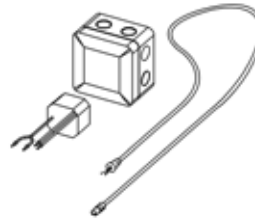
Zone 2 does not apply to showers without a shower tray.

No safety zones have been specified for washstands, toilets or similar devices.

Therefore, a TECElux module with an electrical connection (for a “sen-Touch” flush plate or connection to a shower toilet or shower toilet seat) may only be installed in zone 2, outside the safety zone.

Installing TECElux in zone 2

When installing an electrical connection in zone 2, the connection set for permanent electrical connections (9660002) must be used.



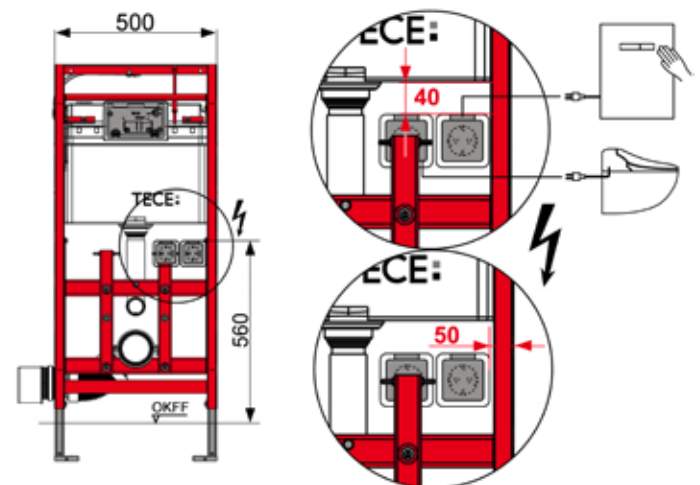
Connection set for electrical connection 9660002

Installing TECElux outside the safety zone

To create a simple interface to the power supply, it is sufficient to fit a surface-mounted socket (protection class IP 44) into the wall during the shell installation phase (see assembly instructions of manufacturers Legrand, Jung, Merten, Busch Jäger, etc.). During the detailed installation phase, the fitter can make the connection for the electronic actuation very simply with a plug-in power pack.

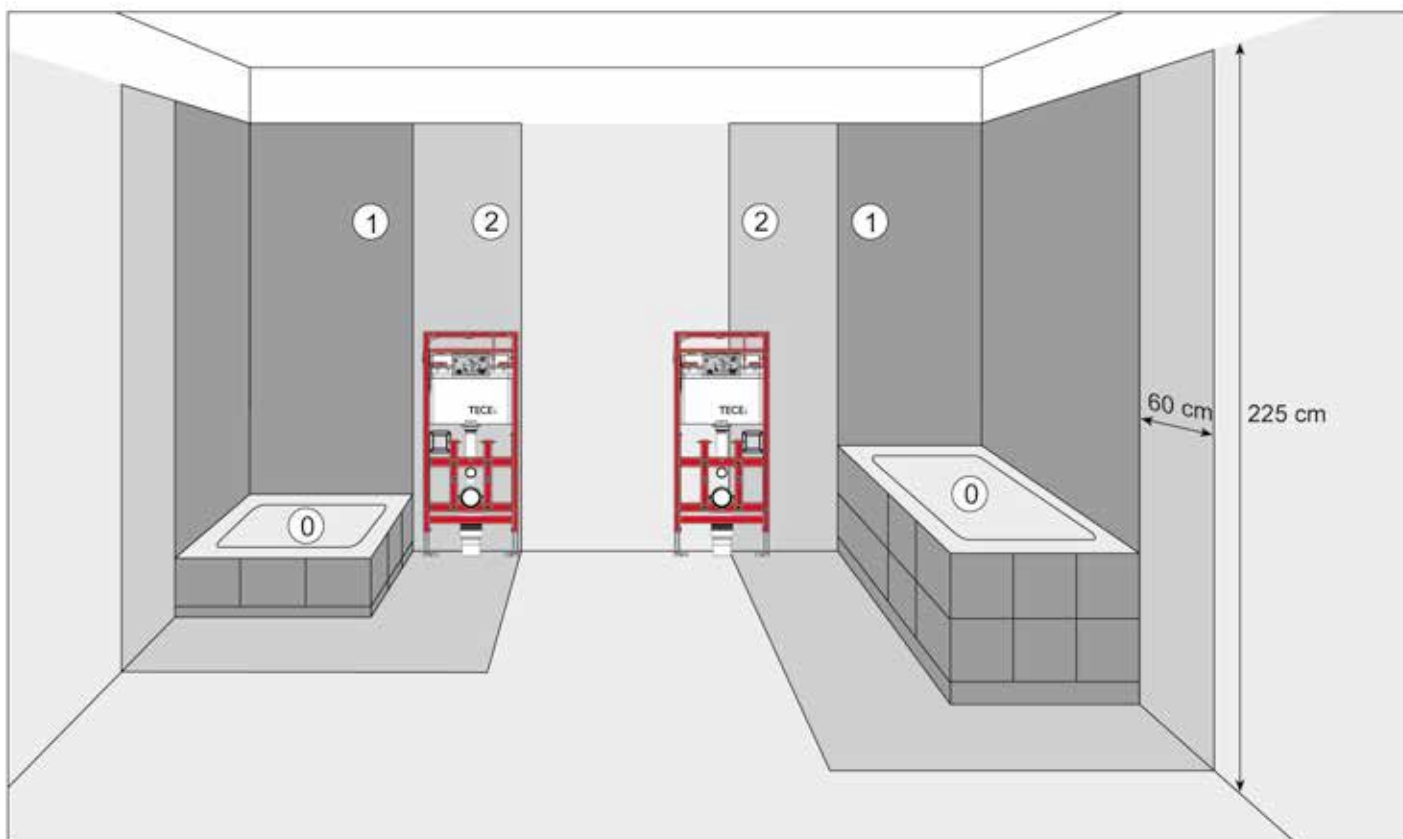
If a shower toilet is required, another socket must be installed for the power supply to the toilet.

The dimensions for positioning the socket(s) are shown in the following diagram:

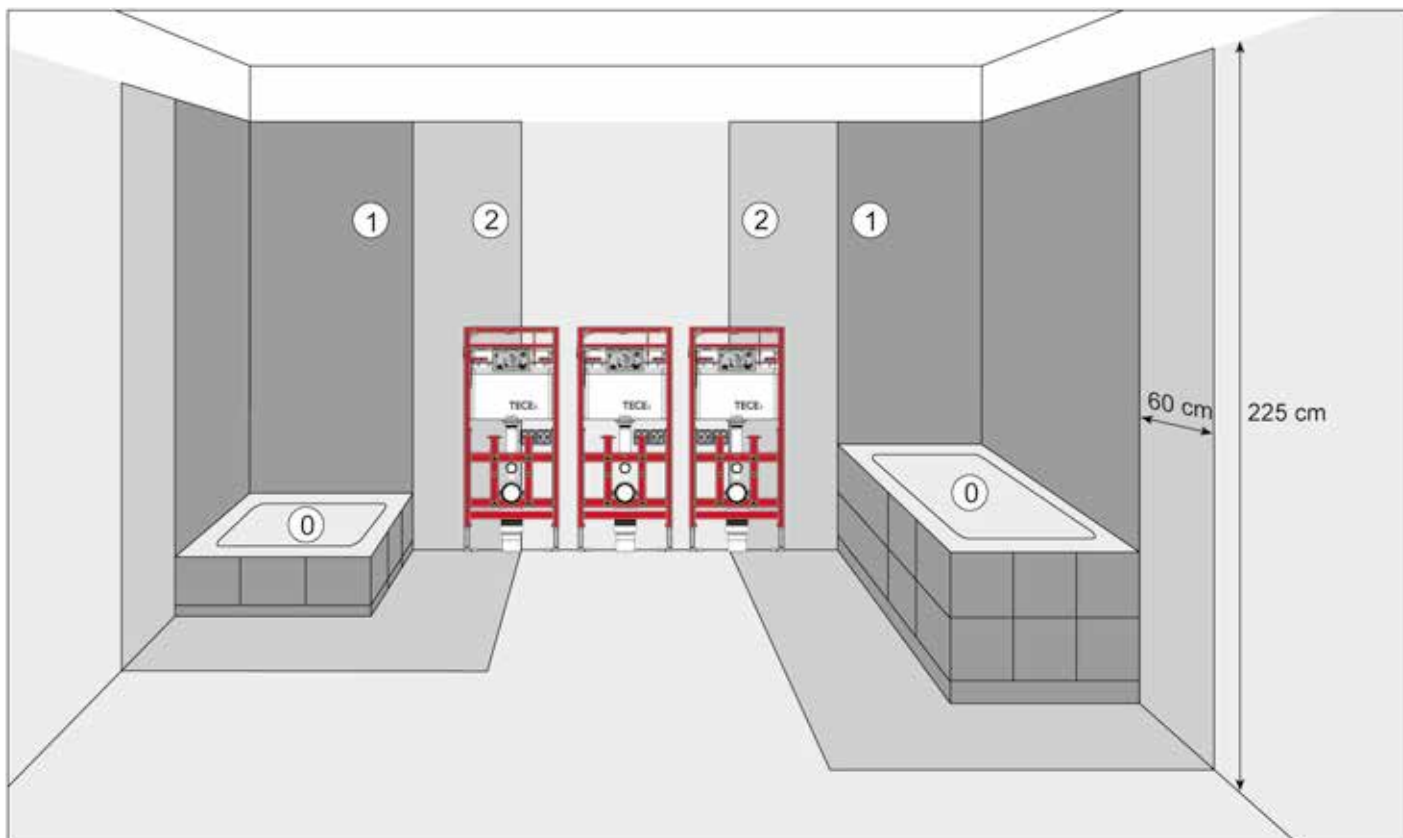


Positioning the socket(s) on the TECElux module

TECElux – Shell installation



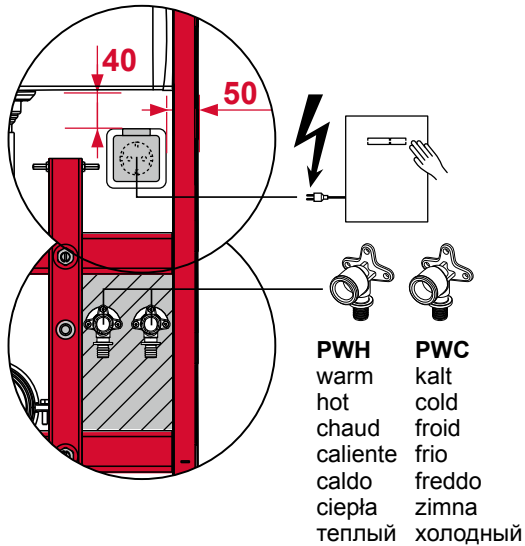
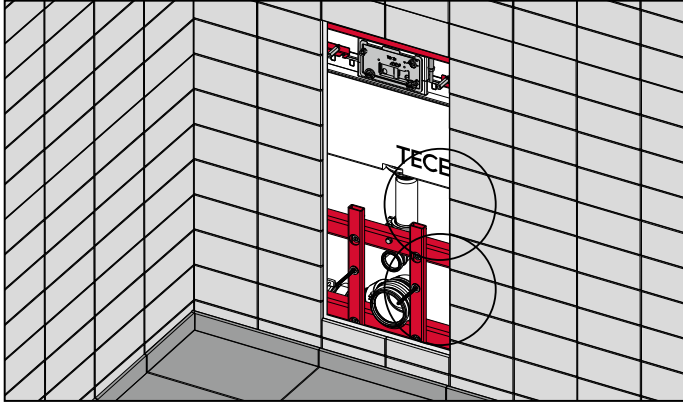
Installing a TECElux module in safety zone 2 (with connection set)



Installing a TECElux module outside the safety zone (with surface-mounted sockets)

Power and water connection with TECEone

When using a TECEone with a TECElux module, a power supply is only necessary if a “sen-Touch” flush plate is used.



Position of socket and corner valve with TECEone

For the corner valves, we recommend the position shown at the top as, in this way, accessibility can be provided by lifting off the upper flush plate. The length of the two reinforced hoses included with the lower glass facing for TECEone, is adapted to this mounting situation.

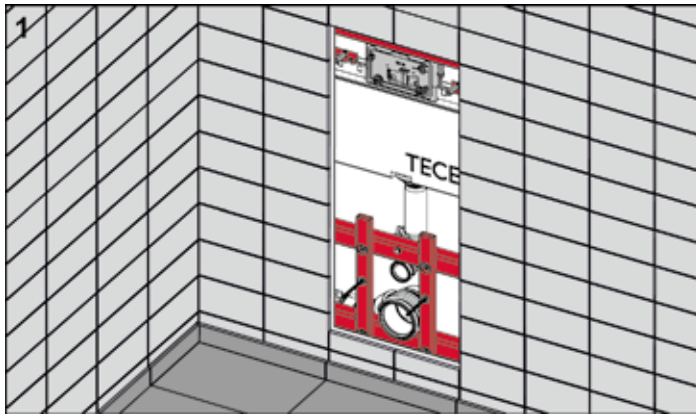
TECElux – Fine installation

Fine installation

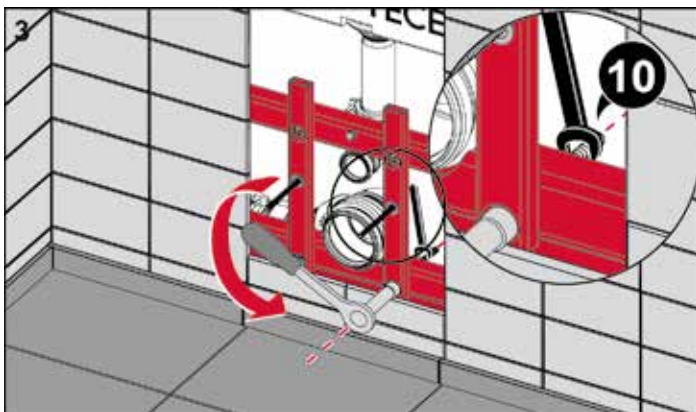
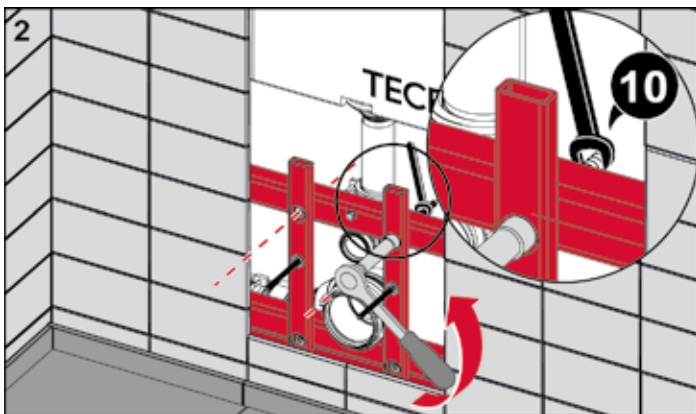
The order of the detailed installation for the TECElux terminal is as follows:

- lower glass attachment facing
- height adjustment, if applicable
- upper glass facing with actuation unit

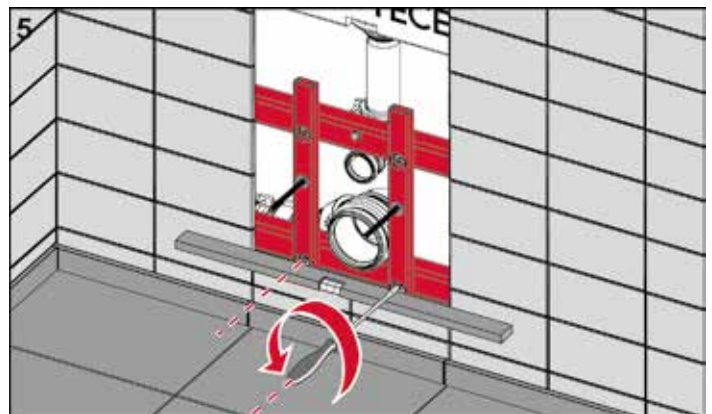
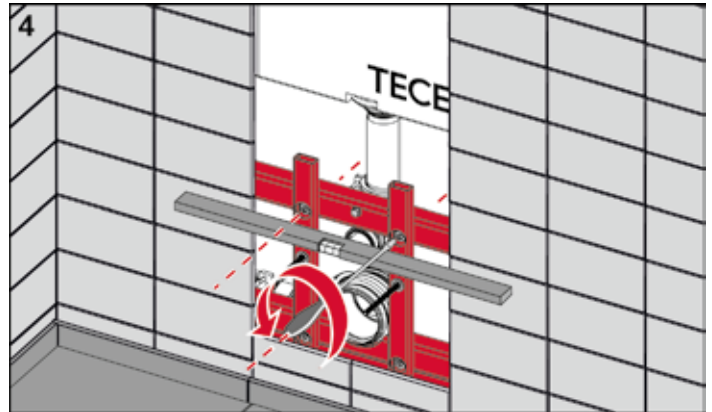
Lower glass attachment facing for standard toilet



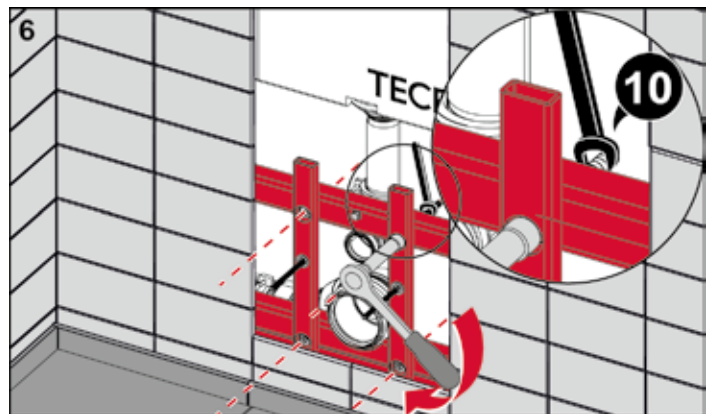
Remove the bare-wall protection.



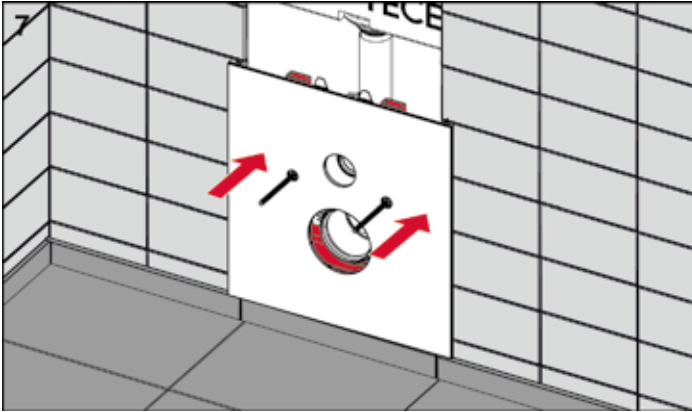
Remove the attachment nuts (x 4) on the depth adjustment, securing the threaded rods at the back in the process.



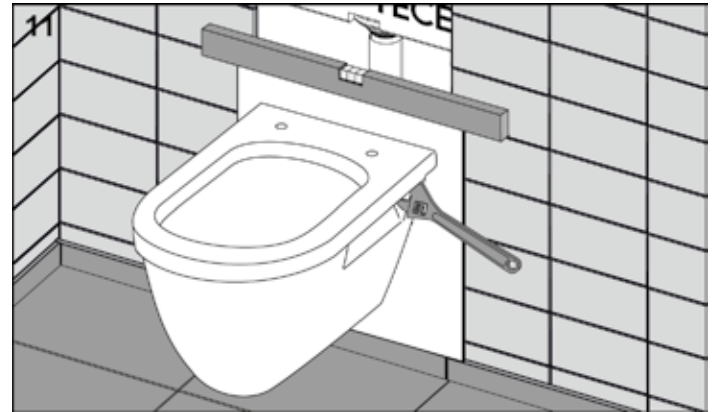
Adjust the lower glass facing at the top and bottom so that it fits flush against the wall, and tighten or loosen the four threaded rods with a flat-head screwdriver.



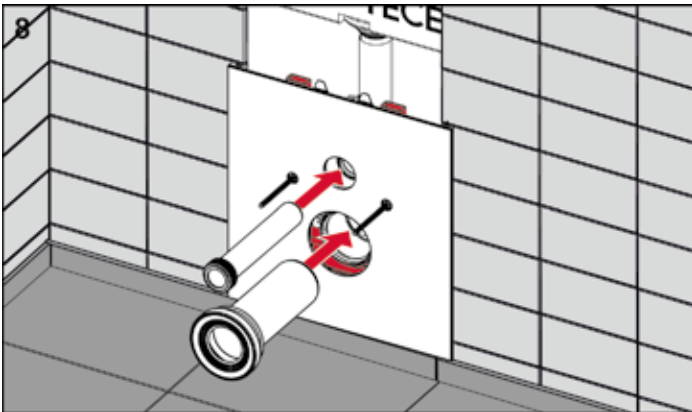
Then secure the threaded rods at the back and tighten the locking nuts.



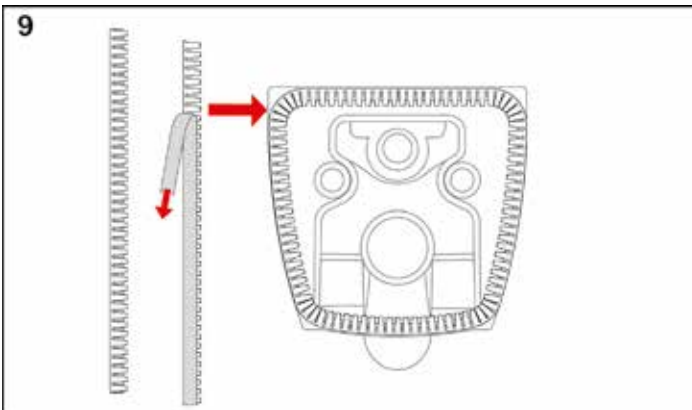
Mount the lower glass facing with actuation unit and — if not already carried out at the factory — insert both glass protection caps.



Align the glass facing and mount the toilet ceramic.



Cut the toilet connection set to a suitable length and insert.

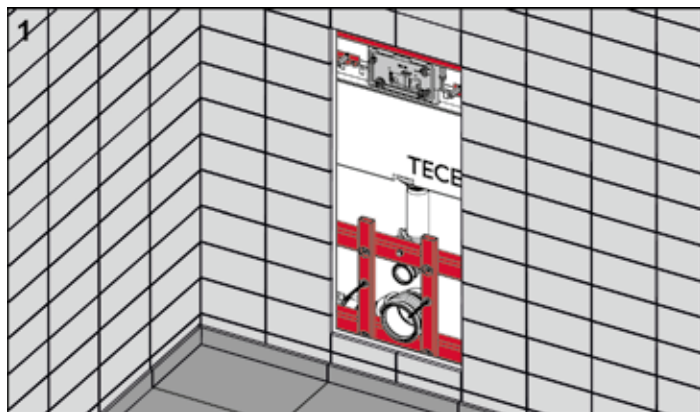


Mount the sound insulation strips on the ceramic.

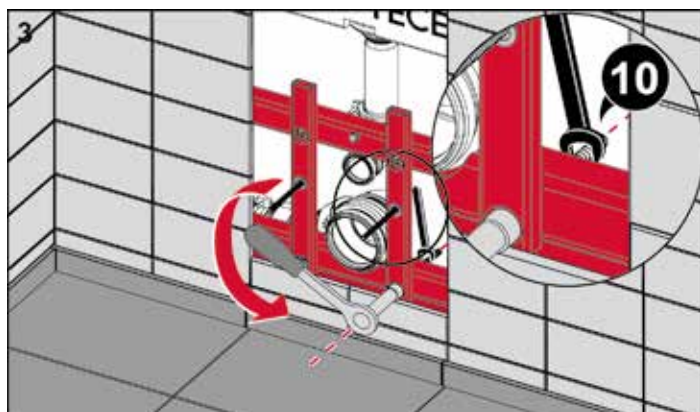
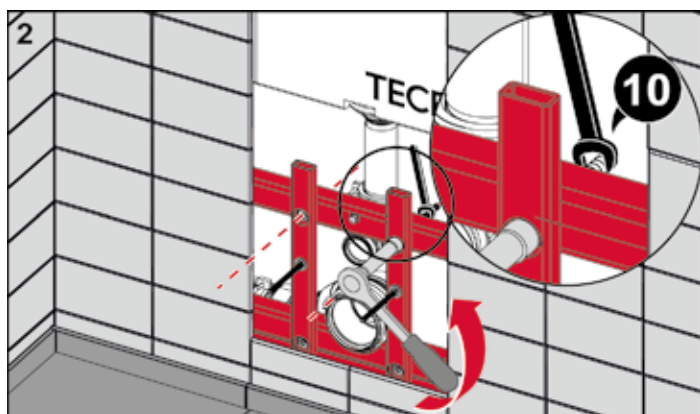
TECElux – Fine installation

Lower glass attachment facing for shower toilet and seats

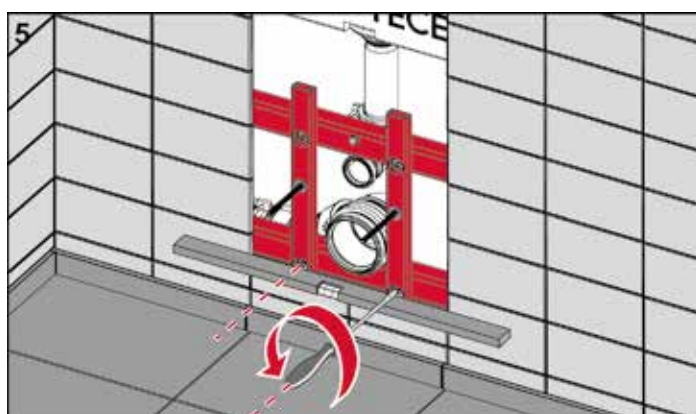
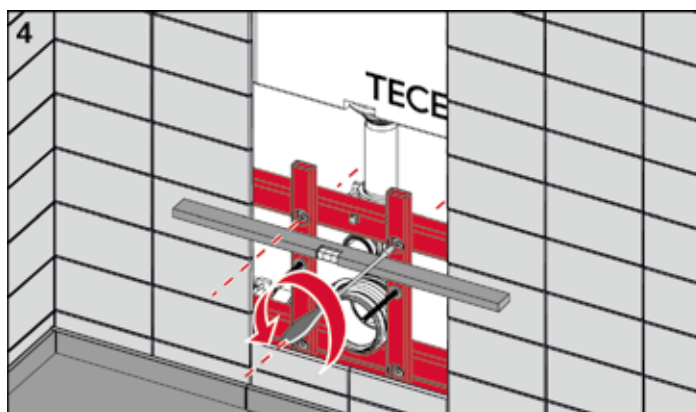
TECE supplies attachment facings for different shower toilets and seats. The first 14 assembly steps are the same for all facings:



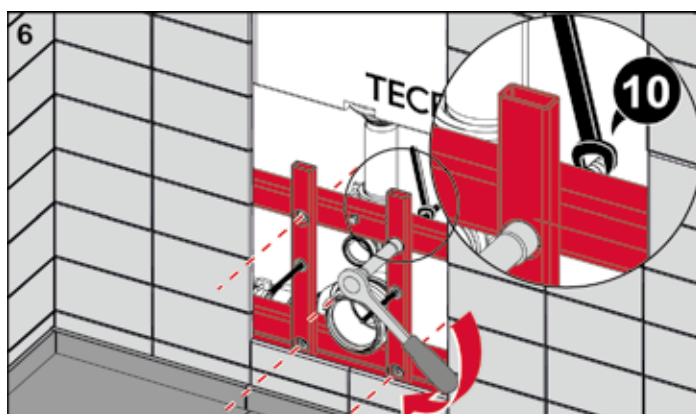
Remove the bare-wall protection.



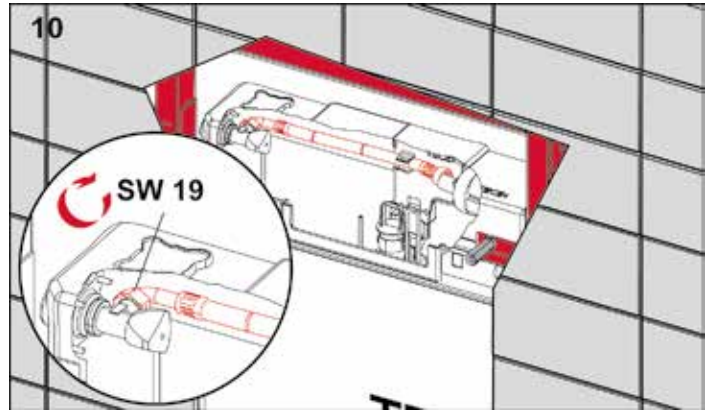
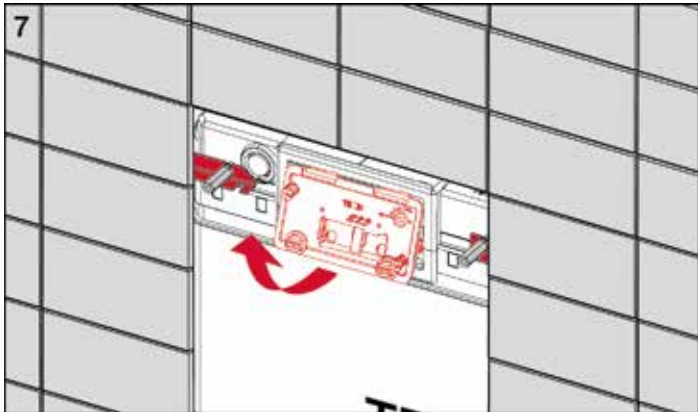
Remove the attachment nuts (x 4) on the depth adjustment, securing the threaded rods at the back in the process.



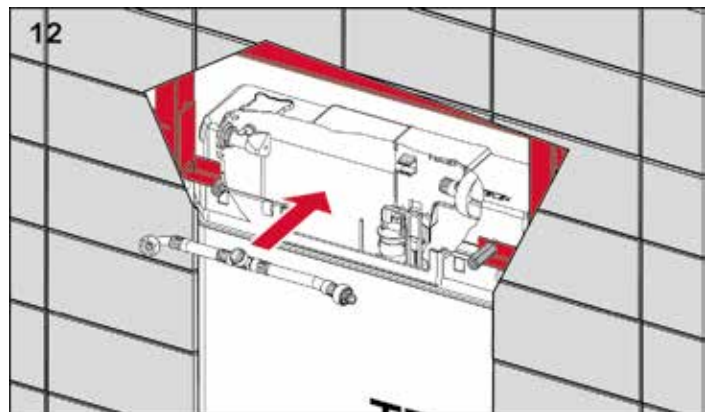
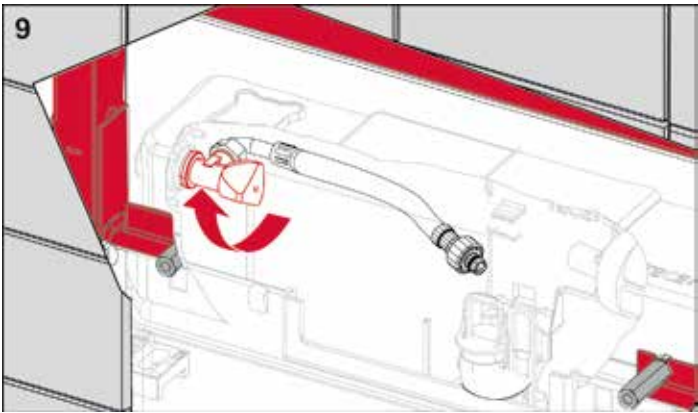
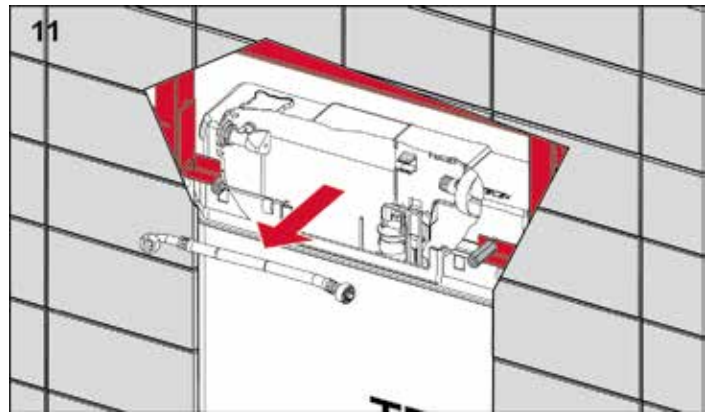
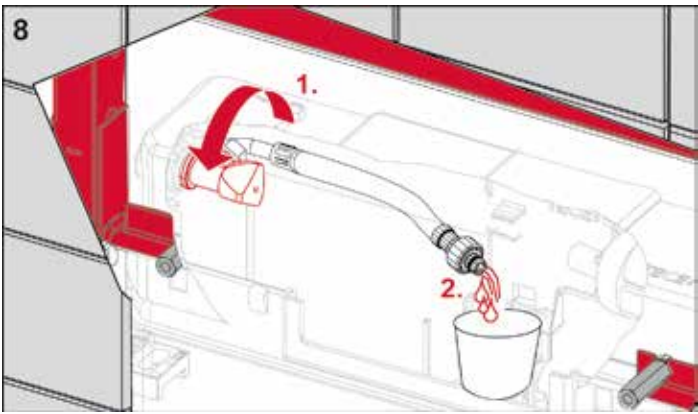
Adjust the lower glass facing at the top and bottom so that it fits flush against the wall, and tighten or loosen the four threaded rods with a flat-head screwdriver.



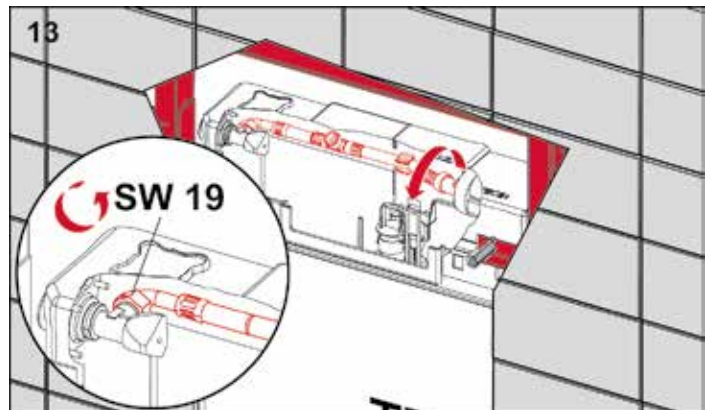
Then secure the threaded rods at the back and tighten the locking nuts.



Open the cistern.

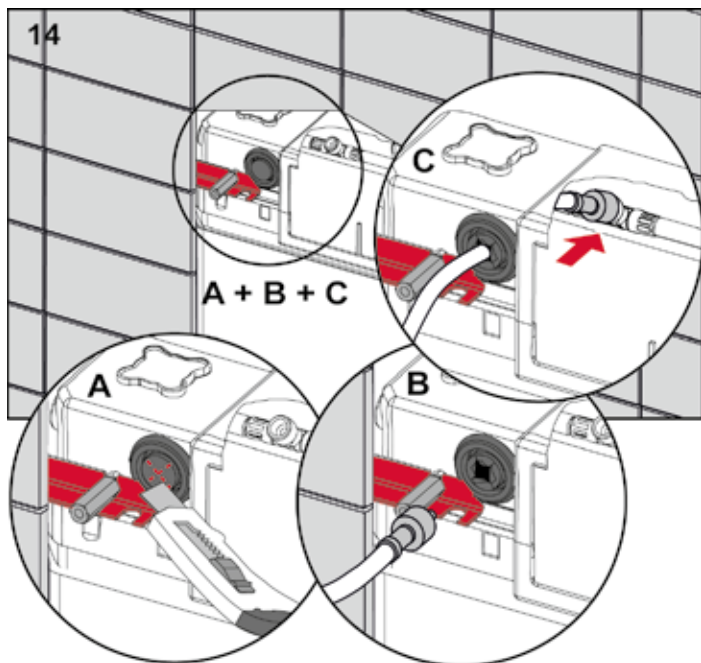


Sufficiently flush out the connecting pipe.



Remove the reinforced hose and replace it with the replacement reinforced hose with the water connection for the shower toilet or shower toilet seats.

TECElux – Fine installation



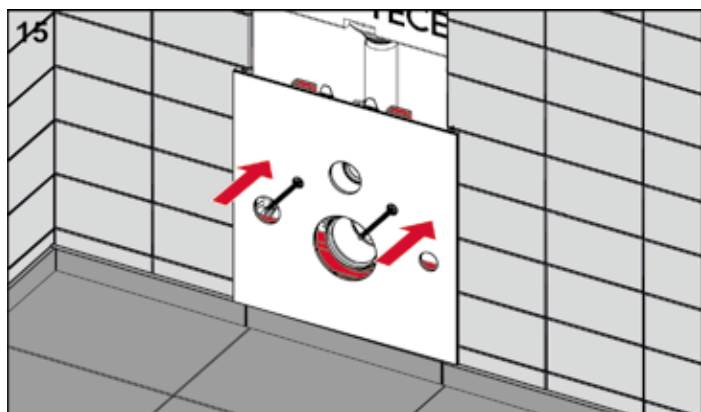
Cut the insertion opening with a cutter knife, insert the reinforced hose into the cistern and connect.

Caution:

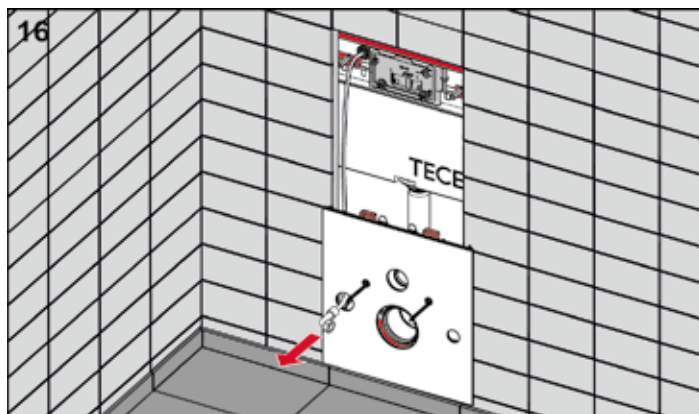
On the TOTO Neorest and Washlet, use the long reinforced hose (order number 9660001)!

Lower glass attachment facing for TOTO Neorest and Geberit AquaClean 8000, 8000 plus (order number 9650101/...106)

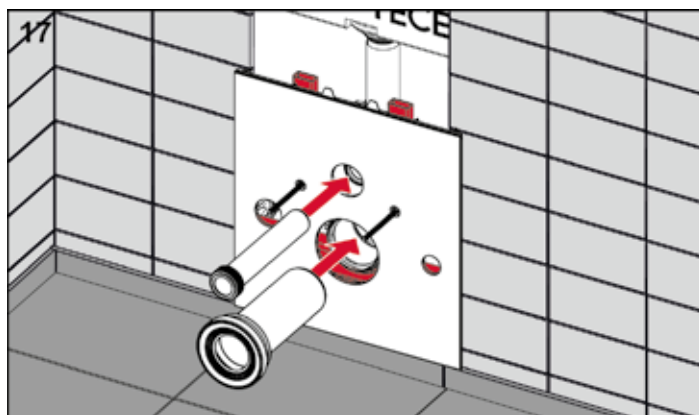
After the preparation phase — see assembly steps 1 to 14 at the start of this section — the glass facing can actually be installed:



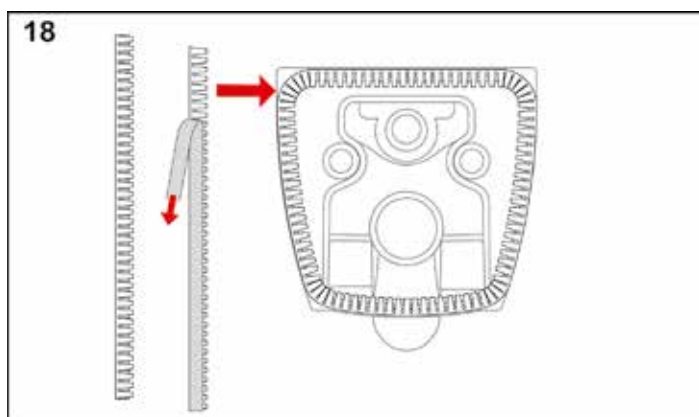
Mount the lower glass attachment facing.



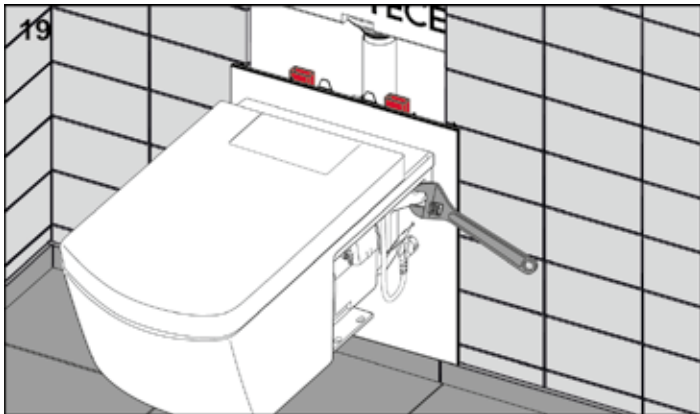
Guide the reinforced hose through the hole provided for the purpose in the glass facing.



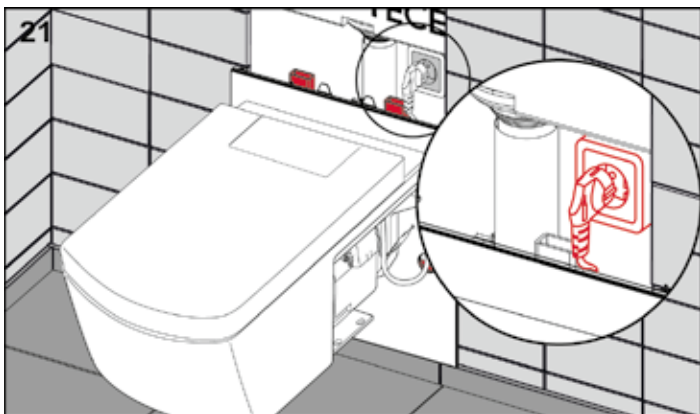
Cut the toilet connection set to a suitable length and insert.



Mount the sound insulation strips on the ceramic.



Mount and align the shower toilet.



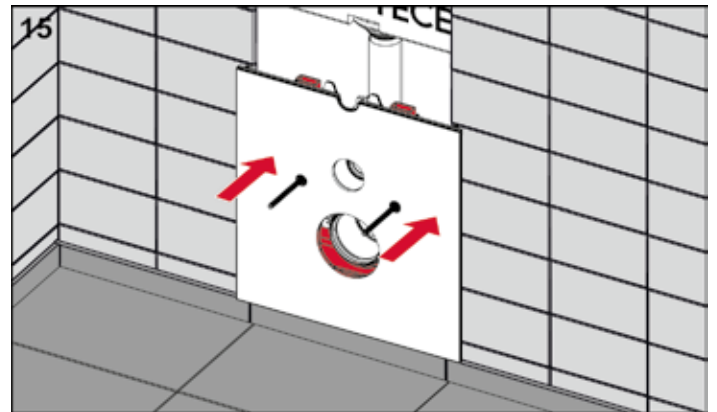
Connect the power supply: insert the plug into the socket.



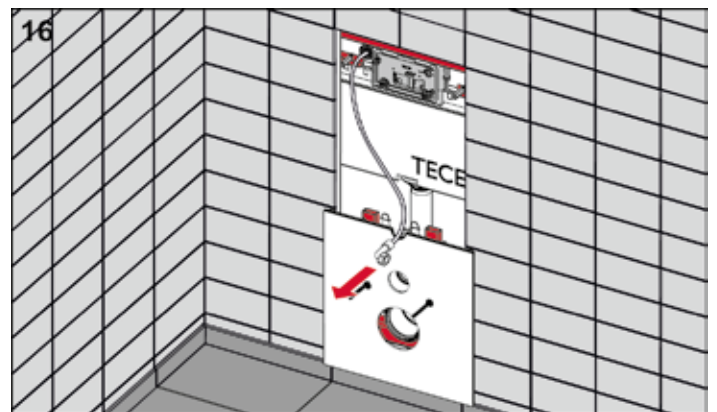
Connect the reinforced hose to the shower toilet.

Lower glass attachment facing for TOTO Washlet and Geberit AquaClean 5000, 5000 plus (order number 9650102)

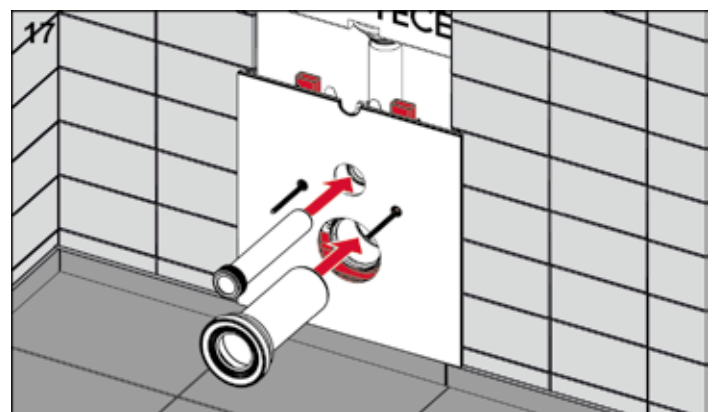
After the preparation phase — see assembly steps 1 to 14 at the start of this section — the glass facing can actually be installed:



Mount the lower glass attachment facing.

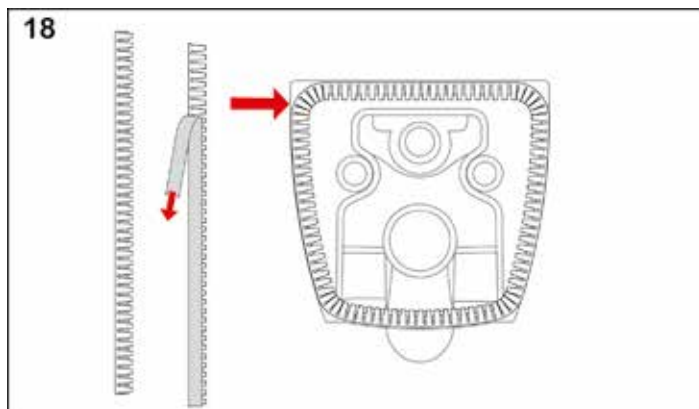


Guide the reinforced hose through the top cut-out in the glass facing.

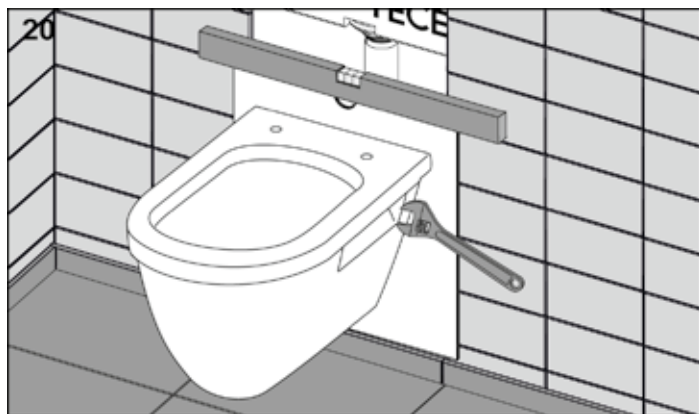


Cut the toilet connection set to a suitable length and insert.

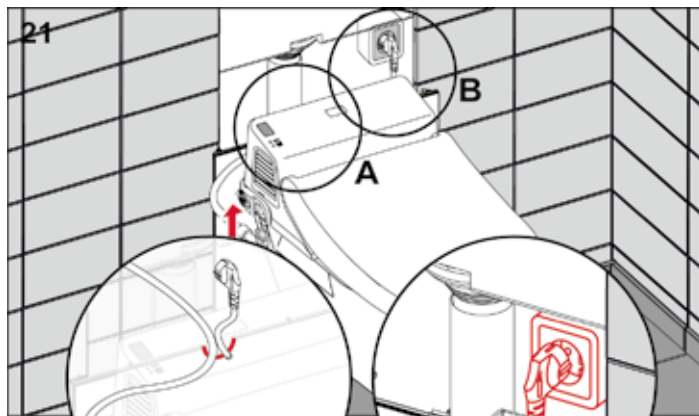
TECElux – Fine installation



Mount the sound insulation strips on the ceramic.



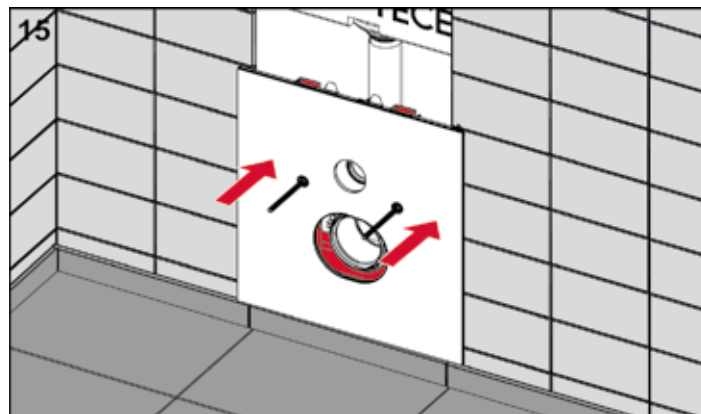
Mount and align the toilet ceramic.



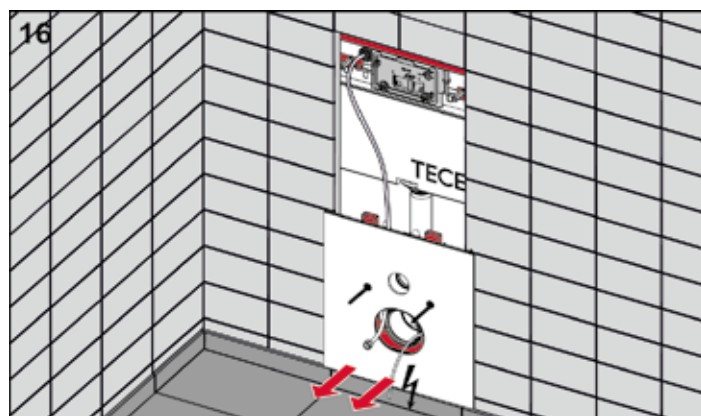
Connect the reinforced hose to the shower toilet seat (A) and connect the power supply: Insert the plug into the socket (B).

Lower glass attachment facing for Duravit SensoWash Starck C (order number 9650103/...107).

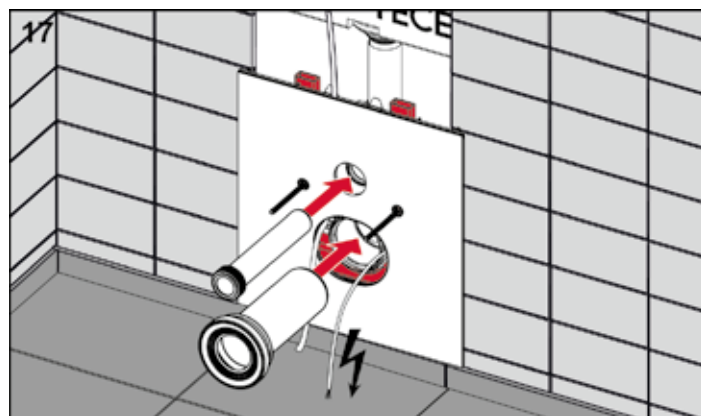
After the preparation phase — see assembly steps 1 to 14 at the start of this section — the glass facing can actually be installed:



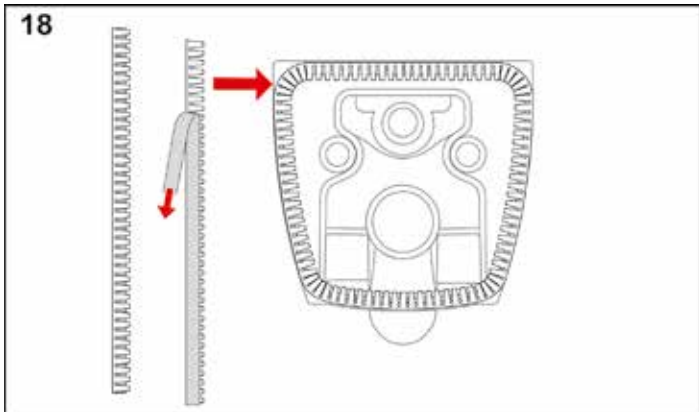
Mount the lower glass attachment facing and — if not already carried out at the factory — insert both glass protection caps.



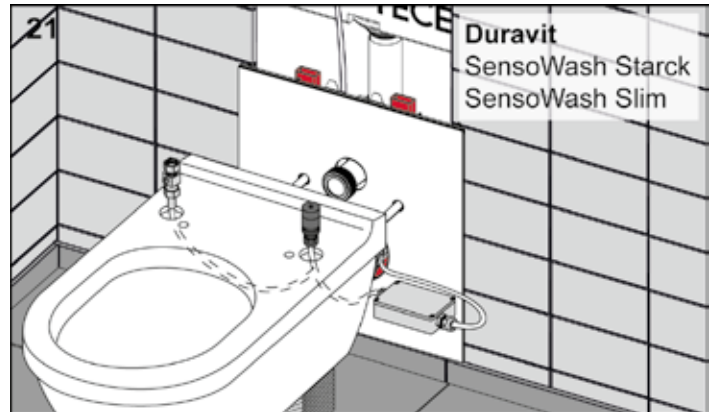
Guide the reinforced hose and power cable through the sewage water connection opening in the glass attachment facing.



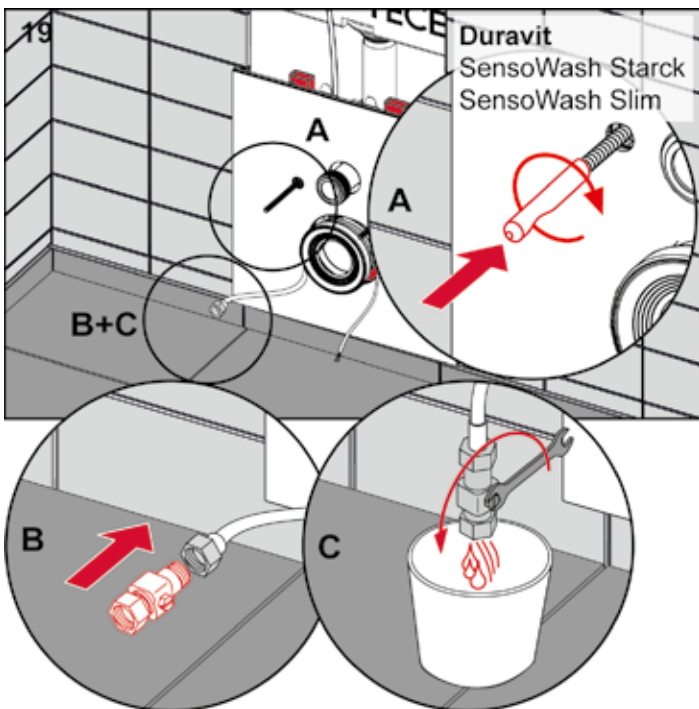
Cut the toilet connection set to a suitable length and insert.



Mount the sound insulation strips on the ceramic.



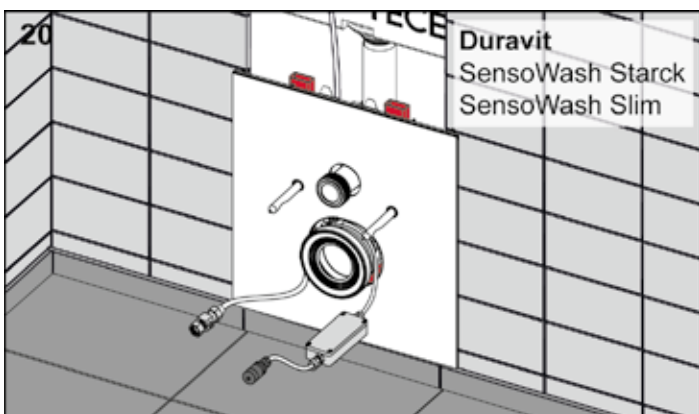
Guide the power and water connections through the ceramic according to the Duravit or V & B installation instructions.



Mount the toilet seat according to Duravit or V & B assembly instructions.

According to Duravit or V & B assembly instructions:

- (A) Install the Duravit (Durafix) concealed mounting
- (B) Mount the Duravit SensoWash C water cut-off valve
- (C) Sufficiently flush out the reinforced hose



Mount the Duravit electronic connection box (following the Duravit installation instructions) or V & B connector plug (following the V & B installation instructions).

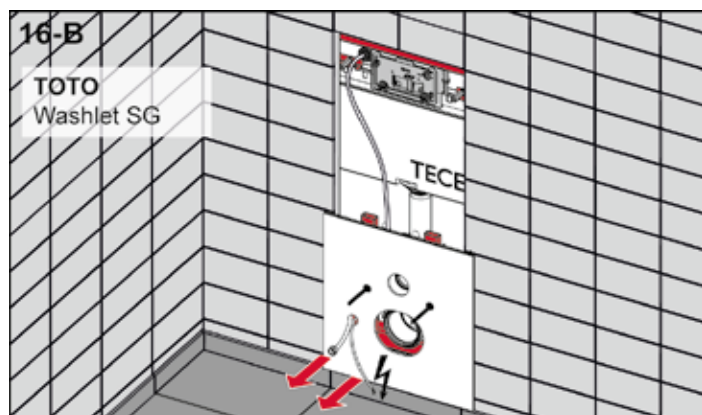
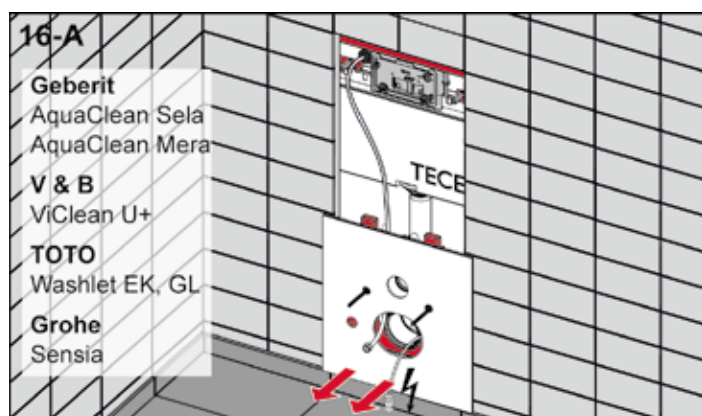
TECElux – Fine installation

Lower glass attachment facing for Geberit AquaClean Sela (order number 9650104/...108)

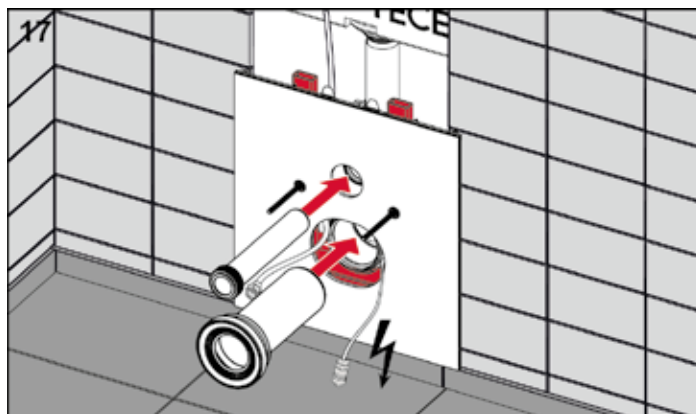
After the preparation phase — see assembly steps 1 to 14 at the start of this section — the glass facing can actually be installed:



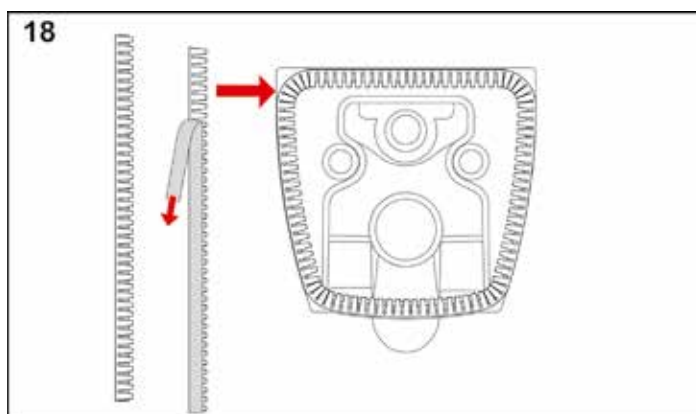
Mount the lower glass attachment facing.



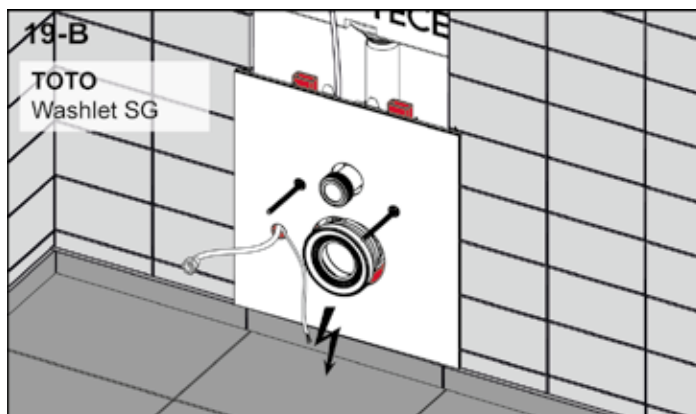
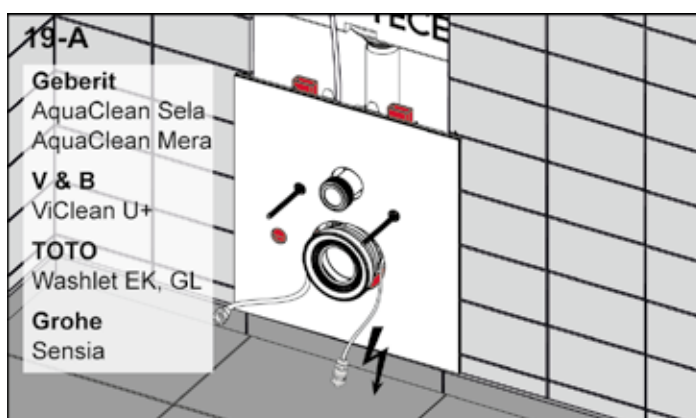
Guide the reinforced hose and power cable through the sewage water connection or side opening in the glass attachment facing.



Cut the toilet connection set to a suitable length and insert.



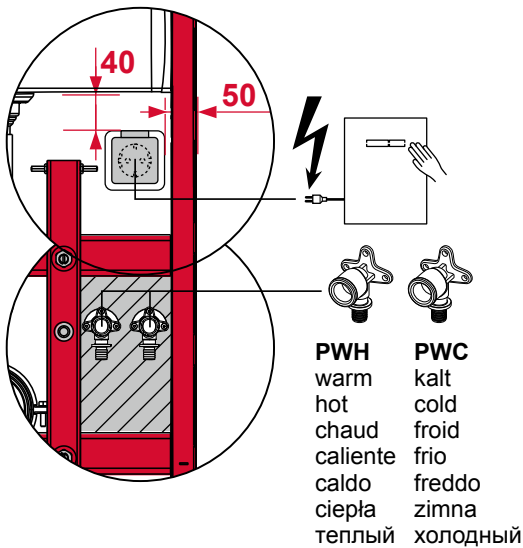
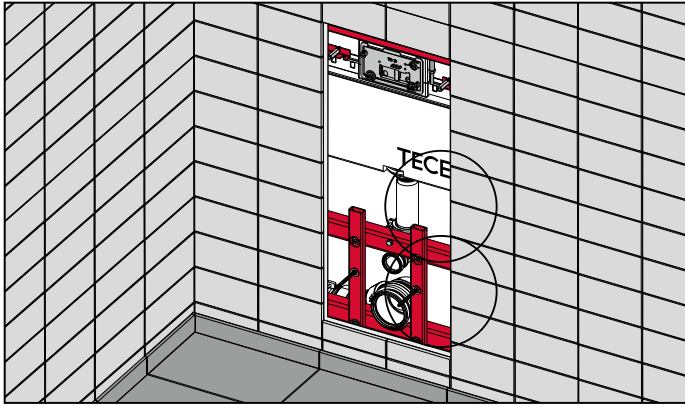
Mount the sound insulation strips on the ceramic.



All the other assembly steps are described in detail in the instructions of the respective shower toilet manufacturers.

Lower glass attachment facing for TECEone

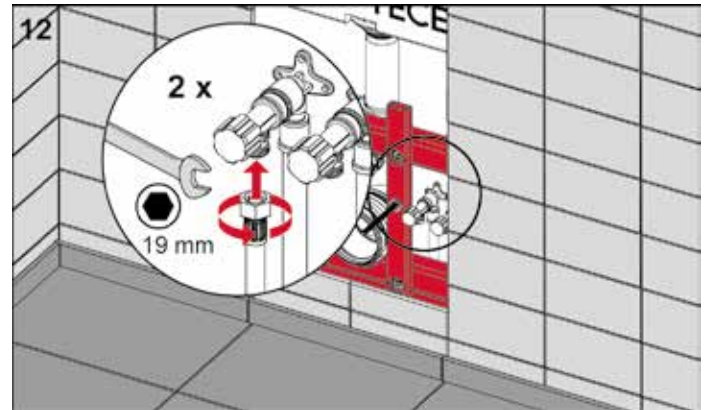
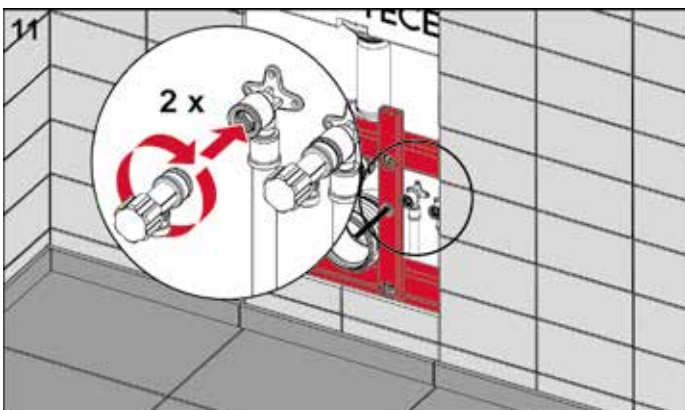
When using a TECEone with a TECElux module, a power supply is only necessary if a “sen-Touch” flush plate is used.



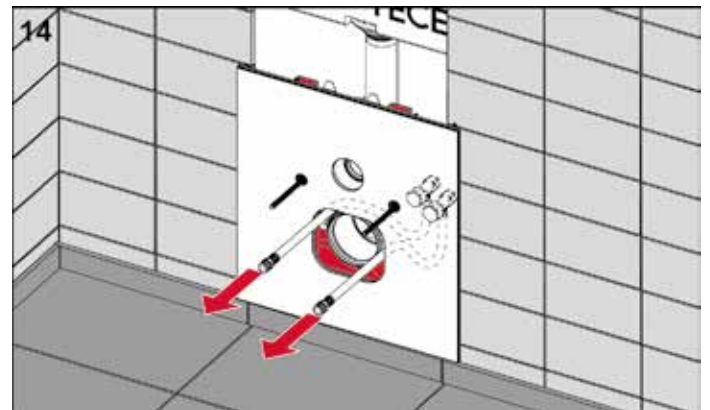
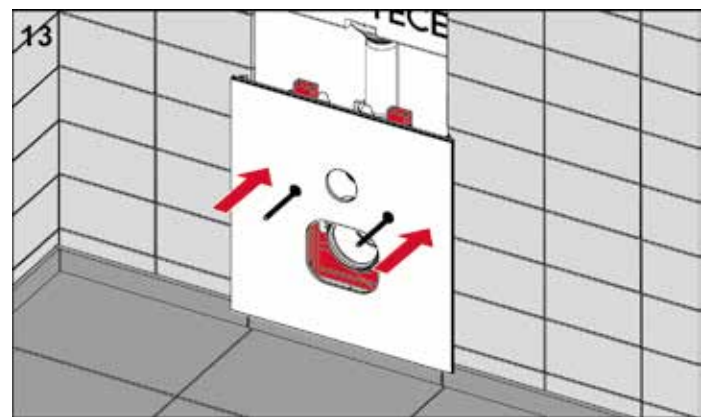
Position of socket and corner valve with TECEone

For the corner valve, we recommend the position shown at the top as, in this way, accessibility can be provided by lifting off the upper flush plate.

After the preparation phase – see assembly steps 1 to 10 at the start of this section, the glass facing can actually be installed:

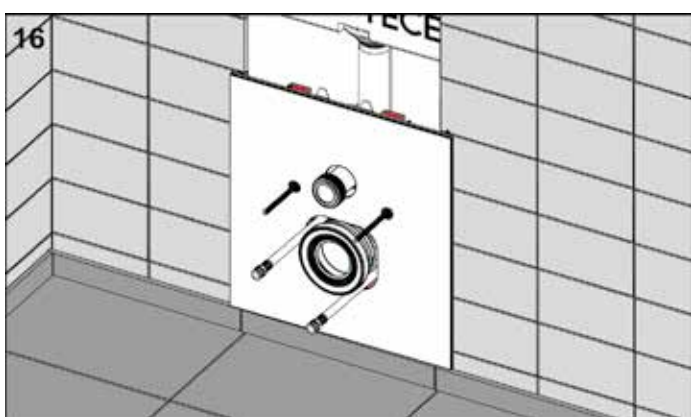
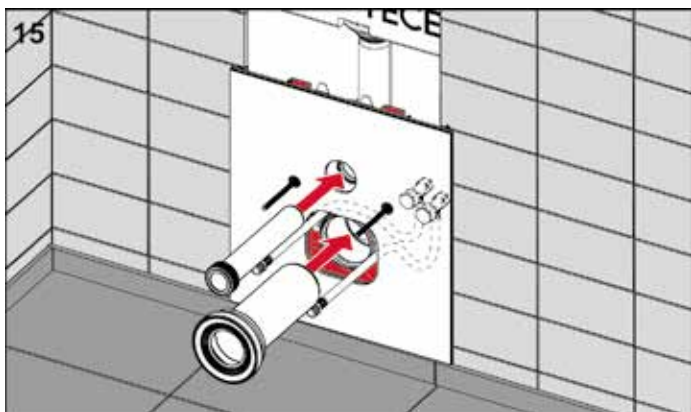


Screw in both corner valves and screw the enclosed reinforced hoses onto the corner valves.



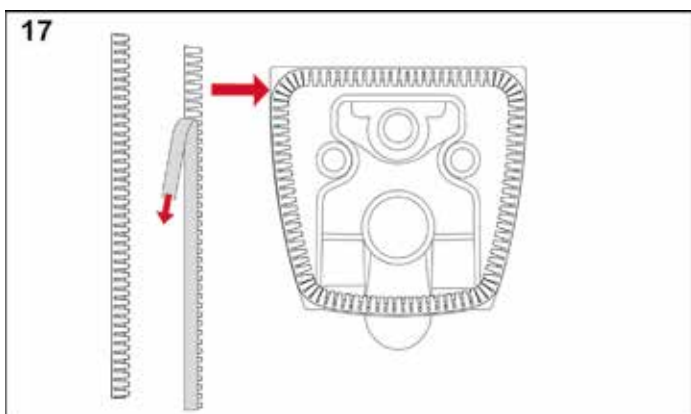
Mount the glass facing and guide the reinforced hose through the large opening on the glass facing to the front.

TECElux – Fine installation

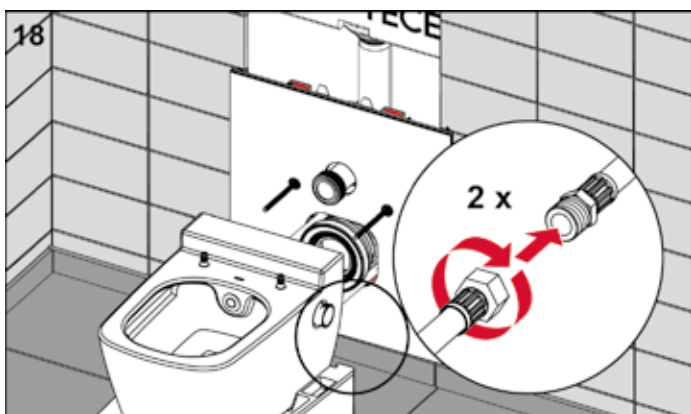


All the other assembly steps are described in detail in the instructions of the respective shower toilet manufacturers.

Cut the toilet connection set to a suitable length and insert.



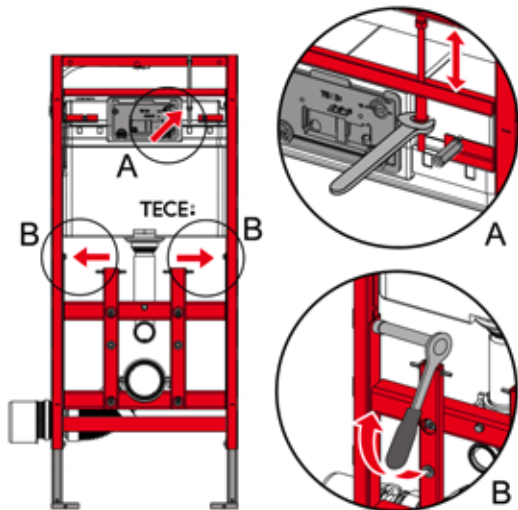
Mount the sound insulation strips on the ceramic.



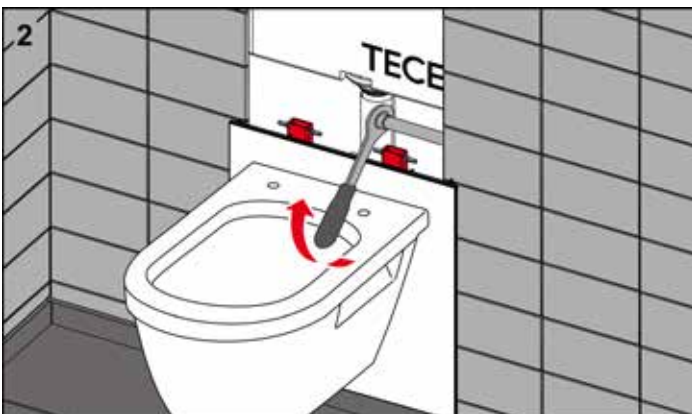
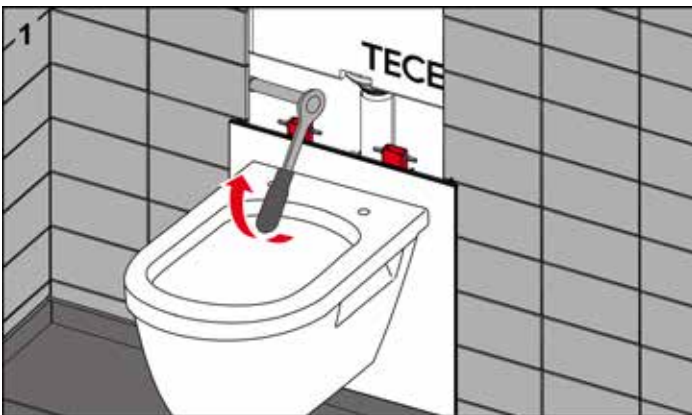
Connect the reinforced hoses to the TECEone connection hoses.

“m-Lift” height adjustment

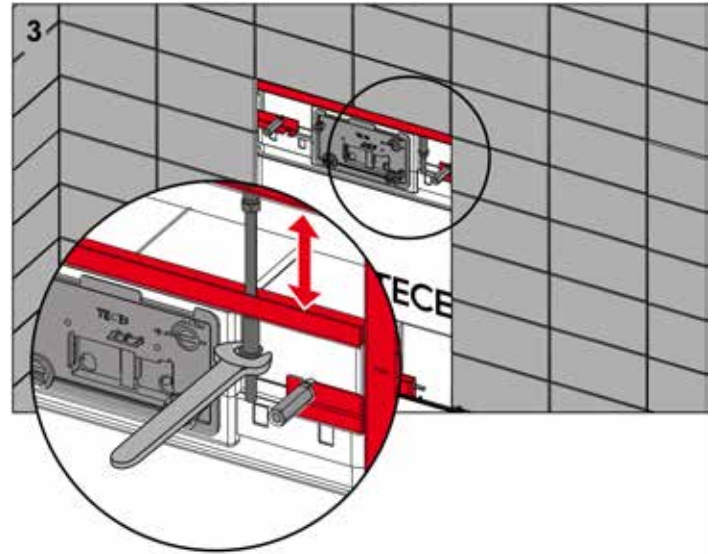
In the case of modules with manual “m-Lift” height adjustment, the adjustment is carried out by means of an easily accessible adjusting screw (A).



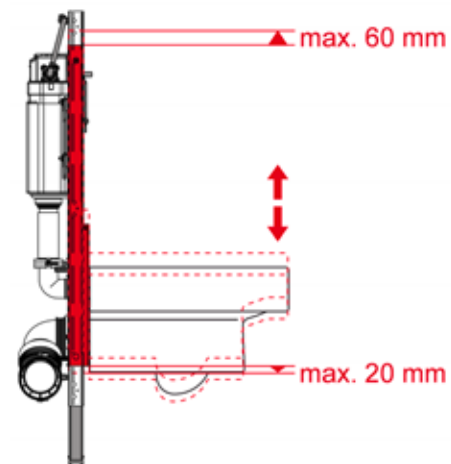
If a toilet ceramic is already mounted, slightly loosen the nuts attaching the ceramic.
The side retainers (B) must first be removed.



The height can then be adjusted via the adjusting screw.
For “quick adjustment”, the ceramic can also be raised slightly. Find adjustment is then carried out using the adjusting screw.



On TECElux modules 200 and 400, it is possible to lower the height 20 mm downwards or raise it 60 mm upwards – compared with the module frame's factory settings.

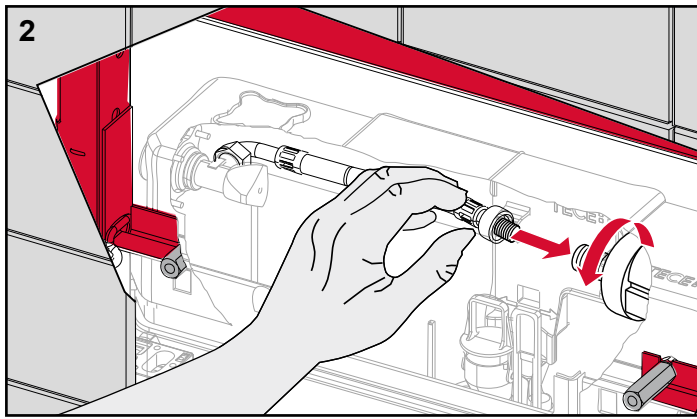
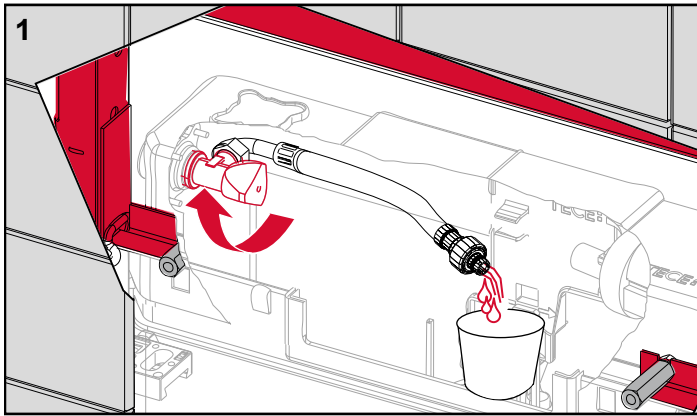


After adjusting the height, tighten the two side restraining screws back up again.

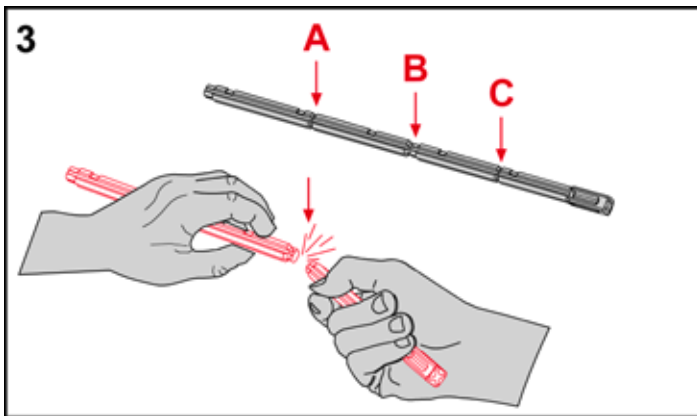


TECElux – Fine installation

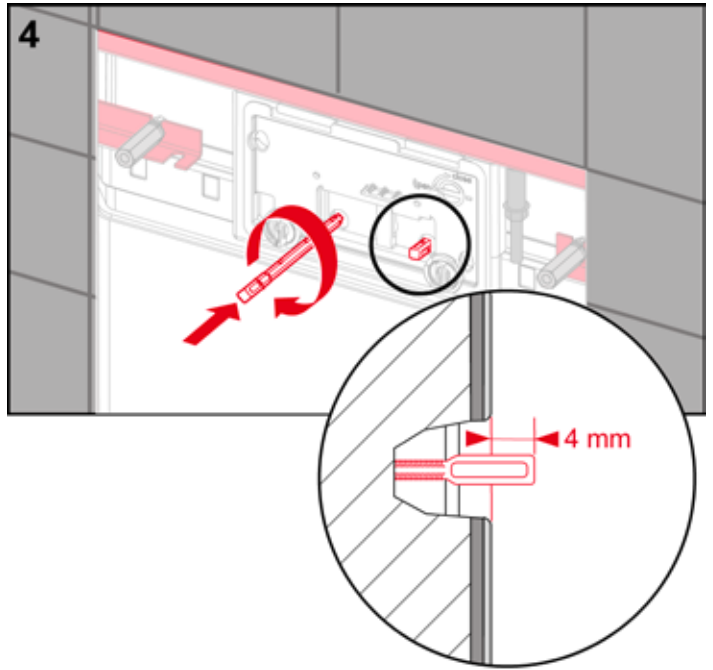
Upper glass facing with manual actuation unit



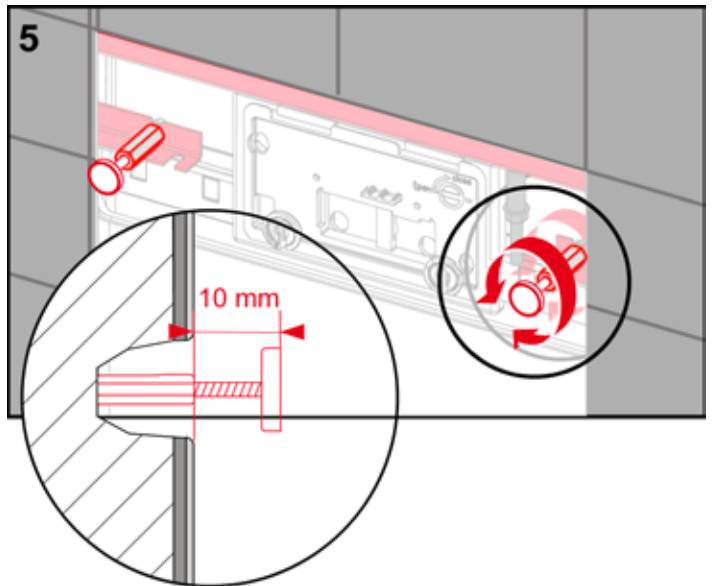
Sufficiently flush out the connecting pipe and screw on to the filler valve.



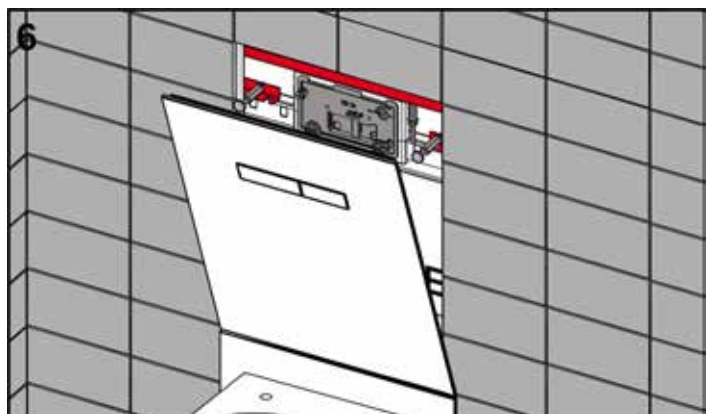
Cut the actuating rod to a suitable length.



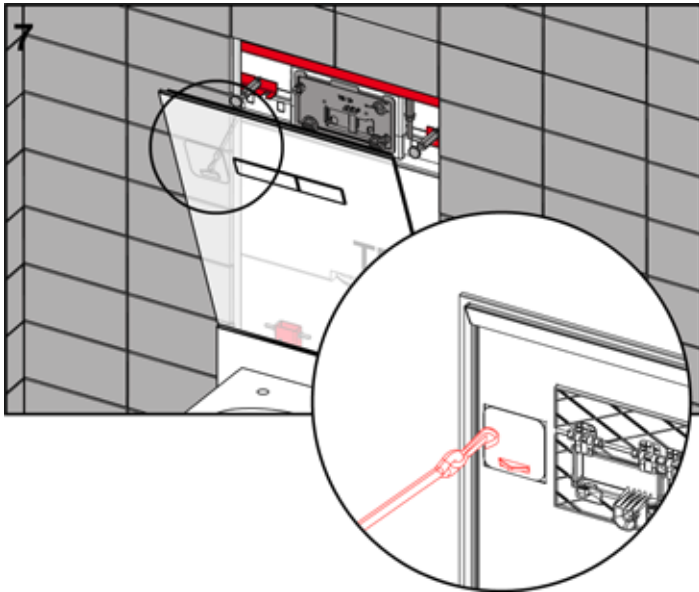
Screw in the actuating rods – 4 mm in front of the wall surface.



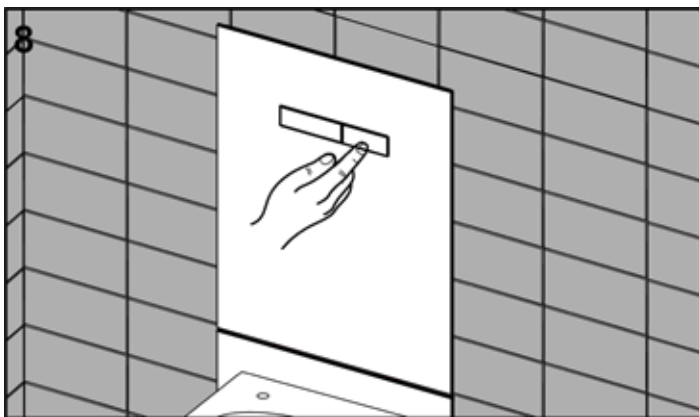
Screw in both magnetic holders – 10 mm in front of the wall surface.



Insert the upper flush plate into the supports.



Attach the glass facing with backup tape (hook the snap hook into the eyelet).

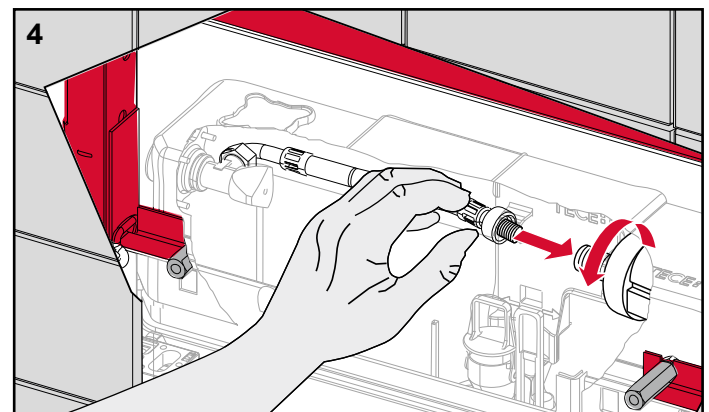
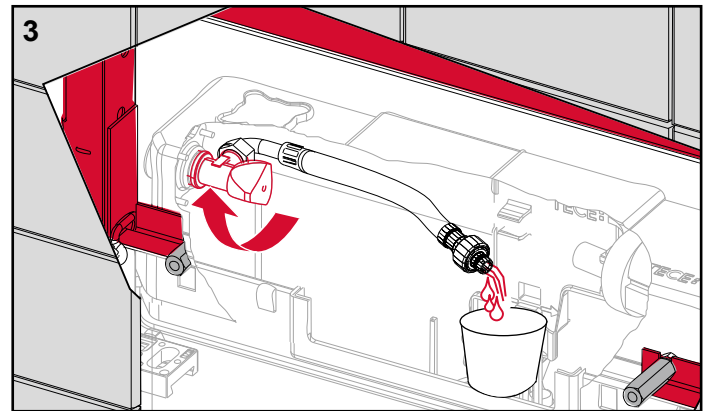


Lift up the glass facing and carry out a function test on the flushing system.

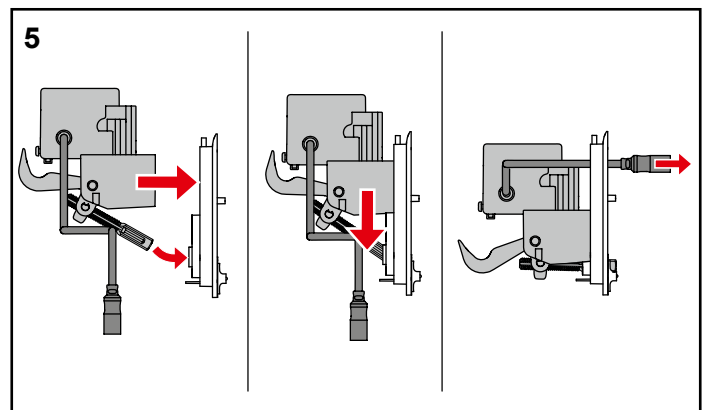


Fill the gap between the ceramic and the glass facing with permanently elastic joint sealant.

Upper glass facing with electronic actuation

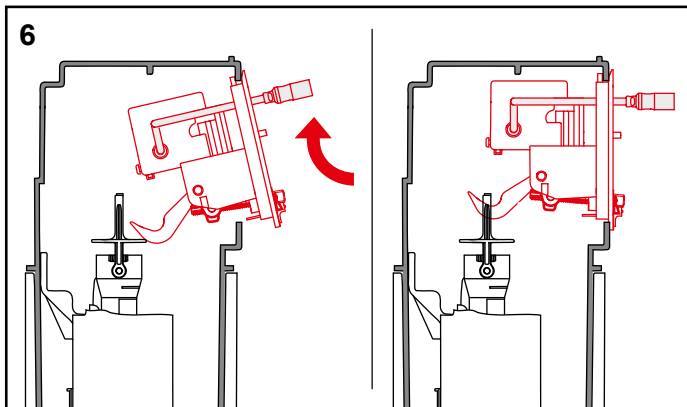


Remove the splash guard, sufficiently flush out the connecting pipe and screw onto the filler valve.

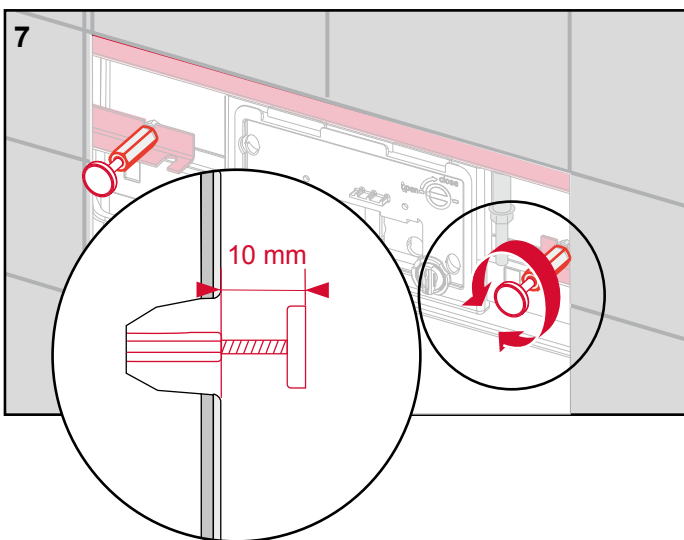


Push the actuation motor onto the splash guard.

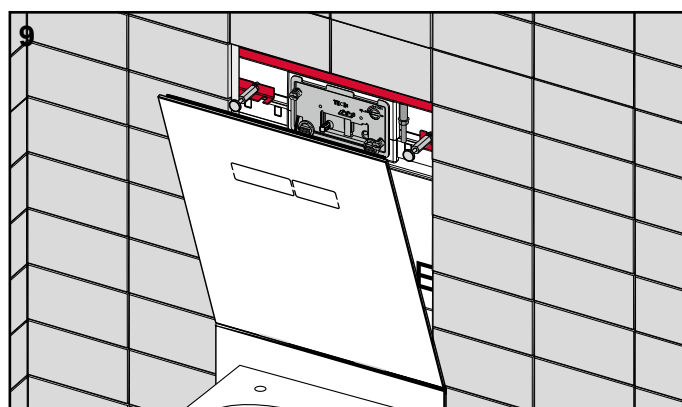
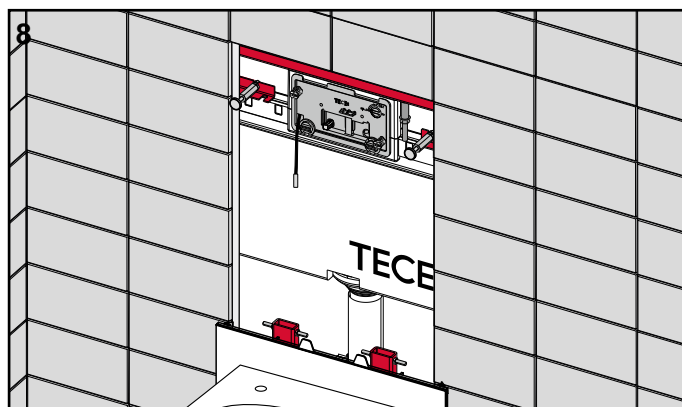
TECElux – Fine installation



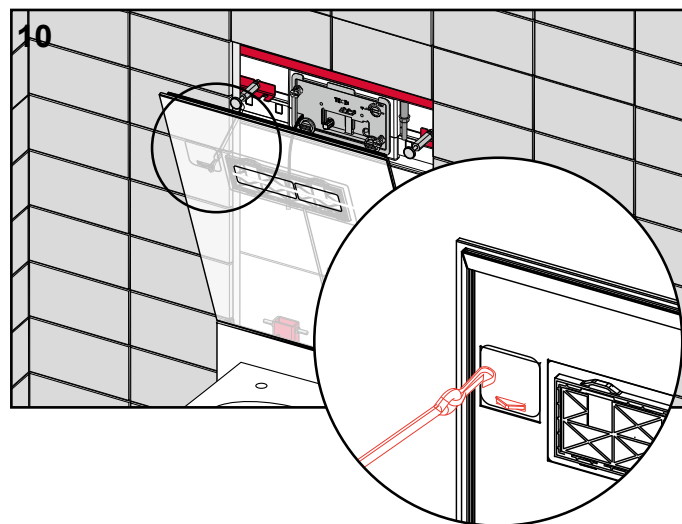
Insert the splash guard with the electrical actuation motor (included in the upper glass facing's scope of delivery of the). No conversion of drain valve required.



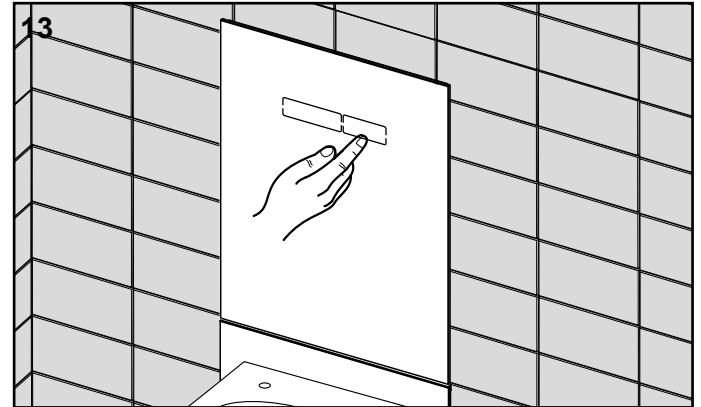
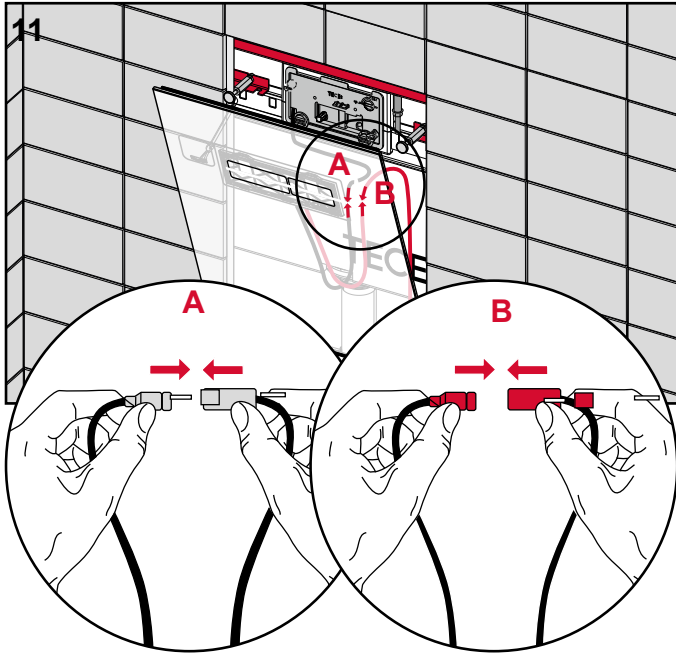
Screw in both magnetic holders – 10 mm in front of the wall surface.



Insert the upper flush plate into the supports and lift up.



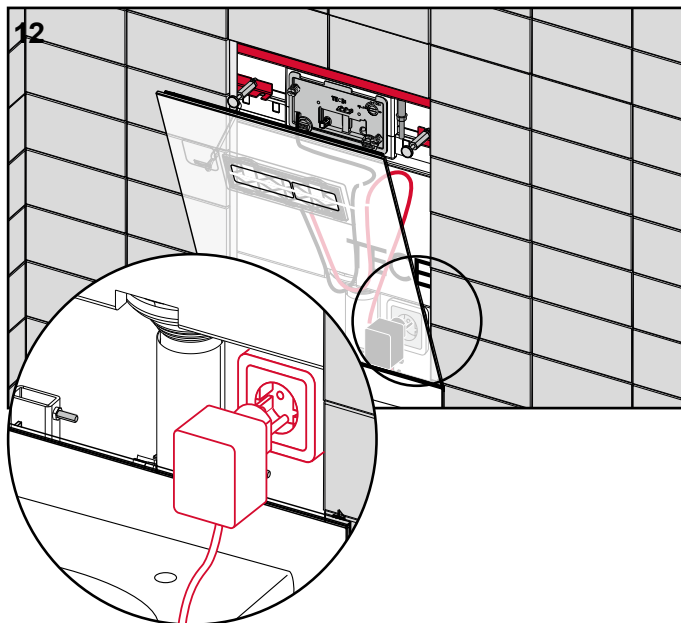
Attach the glass facing with backup tape (hook the snap hook into the eyelet).



Carry out a function test on the flushing system or program the electronics.

Connect the appropriate plug-in contacts:

- grey: actuation motor
- black: ceramic-Air odour extraction (if there is one)
- red: plug-in power pack



Plug the plug-in power pack into the socket.

TECElux – Fine installation


Programming the sen-Touch electronics

The sen-Touch electronics can be programmed within the first hour after connecting up to the power supply. In the event of a power failure, the last settings saved are retained. Each configurable function is assigned a position on one of the two touch fields.

Large touch field:




Position	Function
1	Factory setting
2	Hygiene flush off
3	Hygiene flush 24 h
4	Hygiene flush 56 h
5	Hygiene flush 84 h
6	Hygiene flush 168 h
7	Hygiene flush 336 h
8	Hygiene flush 672 h
9	Illumination level 1 very bright
10	Illumination level 2 standard
11	Illumination level 3 dimmed
12	Illumination level 4 darker
13	Automatic flush off
14	Safety flush on

 = factory setting

Small touch panel:



Position	Function
1	Identification very short-distance
2	Identification short-distance
3	Identification standard
4	Subsequent odour extraction 5 min
5	Subsequent odour extraction 2 min
6	Subsequent odour extraction 1 min
7	Subsequent odour extraction off
8	Fan setting, extra quiet
9	Fan setting, standard
10	Fan setting power
11	Cleaning function on
12	Cleaning function off
13	Activate illumination 20 sec*
14	Activate illumination 2 mins
15	Activate illumination 3 mins
16	Activate illumination 4 mins
17	Activate illumination 5 mins
18	Activate illumination permanently*

 = factory setting

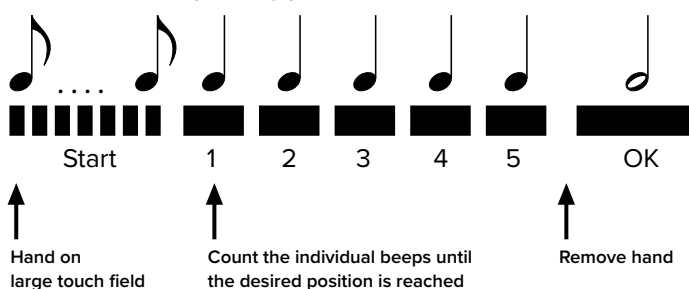
* function only for exhibitions

Procedure

This is how to program the sen-Touch electronics:

- Touch the large or small touch field with your hand. Programming mode starts after 10 seconds with a quick series of short beeps.
- After the start-up phase, a sequence of the same beeps can be heard. Count these – with your hand on the button – until you reach the required function.
- Now remove your hand; a long beep can be heard.

Example: Setting the hygiene flush to 84 hours.



Cleaning function

When the cleaning function is activated, the touch panel is deactivated for 30 seconds (prerequisite: function 11 is selected on the small touch field).

- Activating the cleaning function:
Touch both touch fields at the same time for 7 seconds. Once this time has elapsed, the previously set functions are automatically available again.
- The cleaning function can only be activated in standard mode and not during the programming phase.

Safety flush

When the automatic flush function is activated, an automatic flush is carried out 2 minutes after the last time a person was detected in the recognition range.

Only use this function in public toilets with cubicles!

Manual flush

It is possible to flush the toilet without power — e.g. following a power failure: To do so, remove the upper glass facing from the wall and press the red actuation rod.

All data contained in the Technical Guidelines has been compiled with the utmost care. The correctness of the data presented cannot be guaranteed, however. TECE assumes no liability for damages resulting from the use of this information. Text and images are protected by copyright law.

© Copyright 2018, TECE GmbH, Hollefeldstraße 57, 48282 Emsdetten, Germany

More information on
www.tece.com

TECE GmbH
P +49 25 72 / 9 28 999
international-business@tece.com
www.tece.com