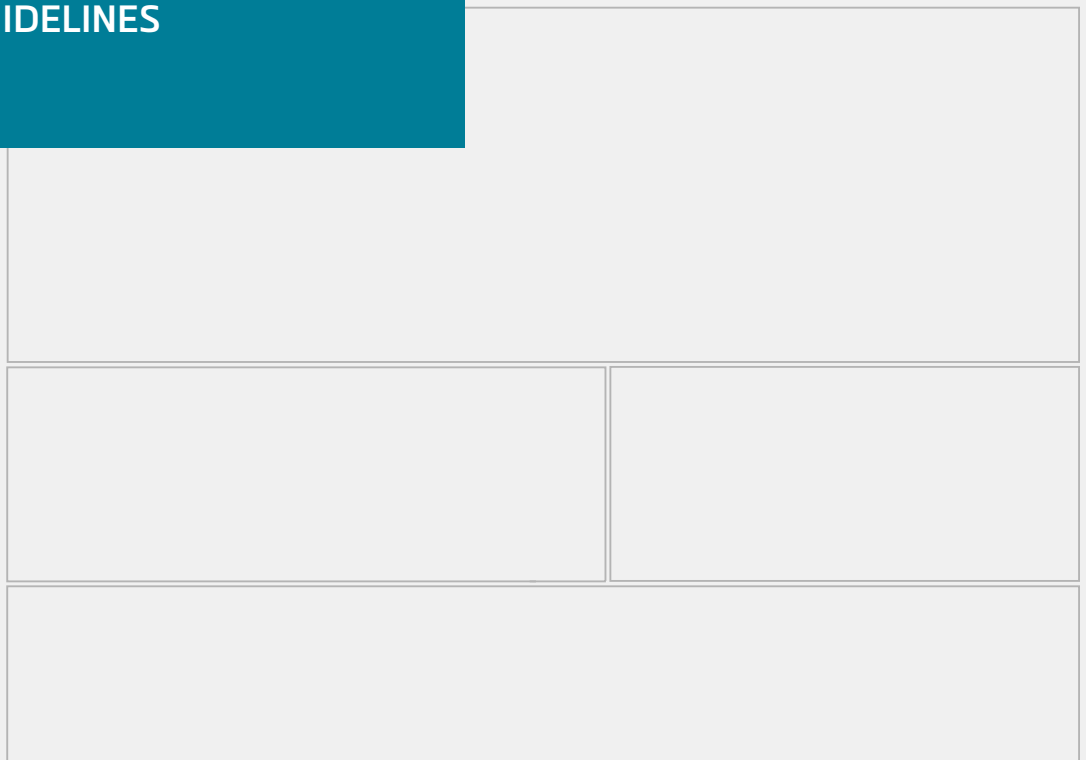
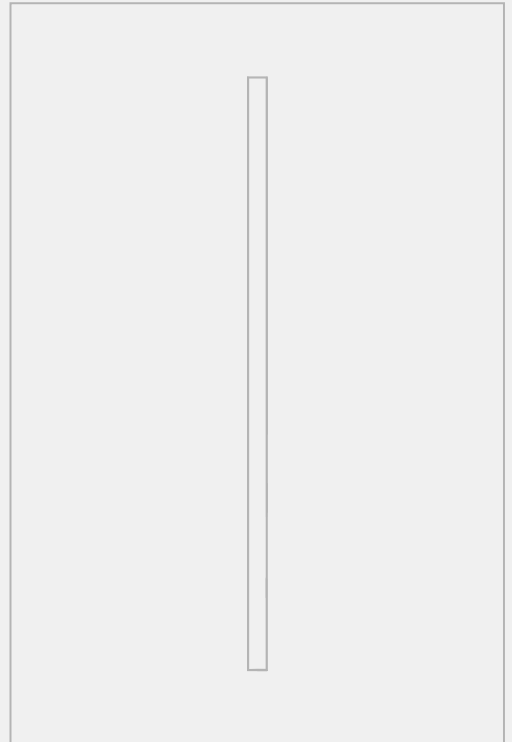


Sanitary systems

## FLUSH PLATES

TECHNICAL GUIDELINES



<b>Overview</b>	<b>2-4</b>
Cleaning TECE flush plates	2-5
TECEantibac	2-5
<b>Flush-mounted installation</b>	<b>2-6</b>
Dry-wall – toilet flush plate	2-6
Installing the toilet flush plate in a dry-wall	2-6
Brick-wall – toilet flush plate	2-9
Installing the toilet flush plate in a brick-wall	2-9
Dry-wall – urinal flush plate	2-12
Installing the urinal flush plate in a dry-wall	2-12
<b>TECElux Mini</b>	<b>2-15</b>
Wall-mounted installation of the toilet flush plate	2-15
Flush-mounted installation of the toilet flush plate	2-18
Installing the transformer with connection cable	2-20
Programming the electronics	2-22
Installing the anti-theft device	2-23
<b>TECEsquare</b>	<b>2-24</b>
Installing the TECEsquare II metal toilet flush plate	2-25
Wall-mounted installation of the glass toilet flush plate	2-27
Flush-mounted installation of the glass toilet flush plate	2-29
Wall-mounted installation of the glass urinal flush plate	2-30
Flush-mounted installation of the glass urinal flush plate	2-32
Installing the metal urinal flush plate	2-34
<b>TECEloop</b>	<b>2-35</b>
Wall-mounted installation of the plastic toilet flush plate	2-35
TECEloop modular system	2-37
Wall-mounted installation of the glass toilet flush plate	2-37
Flush-mounted installation of the glass toilet flush plate	2-37
Wall-mounted installation of the plastic urinal flush plate	2-39
Wall-mounted installation of the glass urinal flush plate	2-40
Flush-mounted installation of the glass urinal flush plate	2-41
<b>TECEplanus</b>	<b>2-42</b>
Installing the toilet flush plate	2-42
Installing the urinal flush plate	2-43
<b>TECEplanus infrared electronics</b>	<b>2-45</b>
Toilet infrared electronics	2-45
Programming the toilet infrared electronics	2-45
Installing the toilet infrared electronics, 6 V battery	2-46
Installing the toilet infrared electronics, 12 V mains	2-48

TECEplanus urinal infrared electronics	2-49
Programming the urinal infrared electronics	2-49
Technical data	2-51
Installing urinal infrared electronics for the U 1 urinal flusher, 6 V battery	2-52
Installing the urinal infrared electronics, 12 V mains	2-54
<b>TECEplanus electronics, remote release</b>	<b>2-57</b>
TECEplanus radio switch	2-57
Toilet electronics, remote release, 6 V battery	2-59
Installing the toilet electronics, remote release, 6 V battery	2-59
Toilet electronics, remote release, 12 V mains	2-62
Installing the toilet electronics, remote release, 12 V mains	2-62
<b>TECEplanus electronics, cable-connected remote release</b>	<b>2-66</b>
Toilet electronics, cable-connected remote release, 6 V battery	2-66
Installing the toilet electronics, cable-connected remote release, 6 V battery	2-66
Toilet electronics, cable-connected remote release, 12 V mains	2-69
Installing the toilet electronics, cable-connected remote release, 12 V mains	2-69
<b>TECEnow</b>	<b>2-73</b>
Wall-mounted installation of the toilet flush plate	2-73
Flush-mounted installation of the toilet flush plate	2-74
Installing the urinal flush plate	2-76
Flush-mounted installation of the urinal flush plate	2-77
<b>TECEambia</b>	<b>2-78</b>
Installing the toilet flush plate	2-78
Installing the urinal flush plate	2-79
<b>TECEbase</b>	<b>2-81</b>
Installing the toilet flush plate	2-81
<b>TECEfilo urinal</b>	<b>2-83</b>
Bare wall – mounting and installation	2-84
Installing the wall-mounted TECEfilo urinal flush plate 230/12 V	2-84
Installing the flush-mounted TECEfilo urinal flush plate 230/12 V	2-87
Programming the urinal electronics	2-90
<b>Toilet flush handle</b>	<b>2-92</b>
Installing the rotary mechanism	2-92
<b>Insert chute</b>	<b>2-95</b>
Operating the insert chute	2-95
<b>Installation dimensions for TECE flush plates</b>	<b>2-98</b>

# TECE flush plates – Overview

## Overview

TECE flush plates come in a wide variety of shapes, materials and colours. The various materials meet the requirements of different application areas. These flush plates, with their robust actuation mechanism, can be installed from the front or from the top. TECE flush plates are some of the most compact models available on the market. Thanks to the cistern's special design, the mounting space inside is easily accessible, despite the flush plate's small size.

### Overview of TECE flush plates



TECElux Mini



TECESquare II metal



TECESquare glass



TECESquare metal



TECEloop plastic



TECEloop glass



TECEplanus



TECEnow



TECEambia



TECEbase

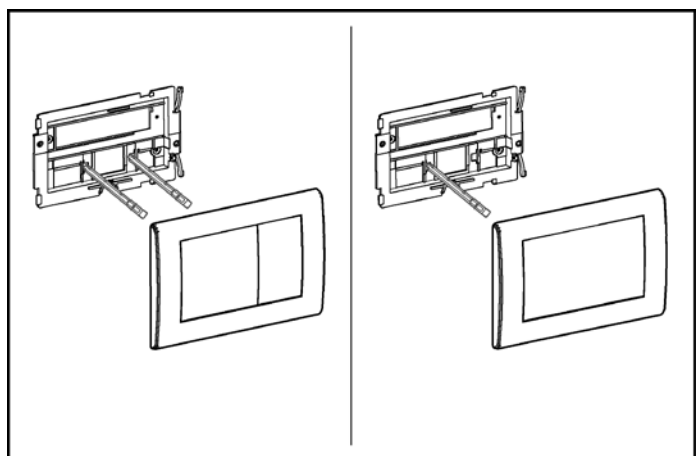


Toilet flush handle



### Single and dual-flush technology

Depending on the flush plate, the TECE flush-mounted cistern offers the option of single or economic dual-flush technology. When installing a single-flush system, just one actuating rod is installed, whereas for a system with dual-flush technology, two actuating rods are installed.



Single and dual-flush technology (here, the TECEplanus model)

## Cleaning TECE flush plates

To ensure that the surface of the flush plate retains its original appearance, we would ask you to pay attention to the following information:

- Always clean the flush plate with a soft cloth.
- Use warm water to clean the visible surfaces.
- To clean glass surfaces, you can also use a mild, colourless glass cleaning product.
- Do not spray the cleaning product directly onto the glass.
- Remove any dirt with a moist cloth, gently applying pressure.
- Never use frothy, aggressive cleaning agents or cleaning sponges.

## TECEantibac

The “TECEantibac” versions of the TECEambia and TECE-loop (toilet and urinal) flush plates have antibacterial properties. They are only available in white. Both TECEantibac flush plates are available with single and dual-flush technology.

### What is TECEantibac?

The TECEantibac flush plate is made of a new, high-tech

plastic containing microscopically small silver ions. The silver ions effectively prevent the spread of bacteria on the flush plate surface.

As the silver particles are distributed within the material, the effect continues throughout the plate's entire useful life. So it is more than just a coating. Therefore surface wear through use or cleaning does not impair the long-term effect.



**FORSCHUNGSINSTITUT  
HOHENSTEIN**

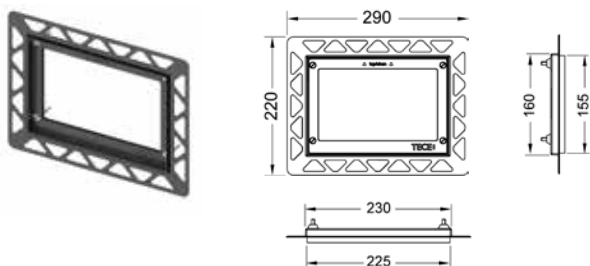
The antibacterial effect of the TECEantibac flush plates has been demonstrated in an expert report written by the Hohenstein Research Institute: “Under practical conditions, this test demonstrated that the TECEantibac product exhibits significant or strong antimicrobial activity”.

The measured reduction in germs achieved by TECEantibac was, on average, 99.7%. The test method used was the only standardised method that currently exists in accordance with the Japanese Industrial Standard JIS 2801:2000. This method is internationally acknowledged and used in Japan, the USA and Europe. The expert report can be requested from TECE.

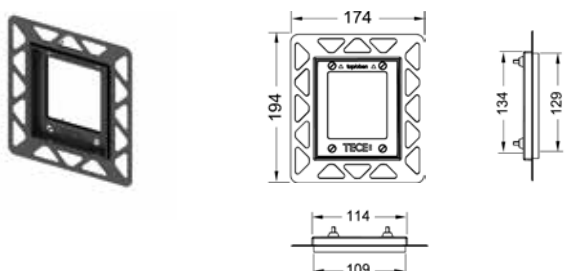
# TECE flush plates – Flush-mounted installation

## Flush-mounted installation

Flush-mounted installation is a distinctive characteristic of the TECElux Mini, TECEloop glass (toilet and urinal), TECESquare glass (toilet), and TECENow flush plates (installation including spacing frame). When using the installation frame, these flush plates can be flush-mounted as required both in dry-walls (toilet and urinal) and in brick-wall structures (toilet).



Flush-mounted installation frame for toilet flush plate



Flush-mounted installation frame for urinal flush plate

## Dry-wall – toilet flush plate

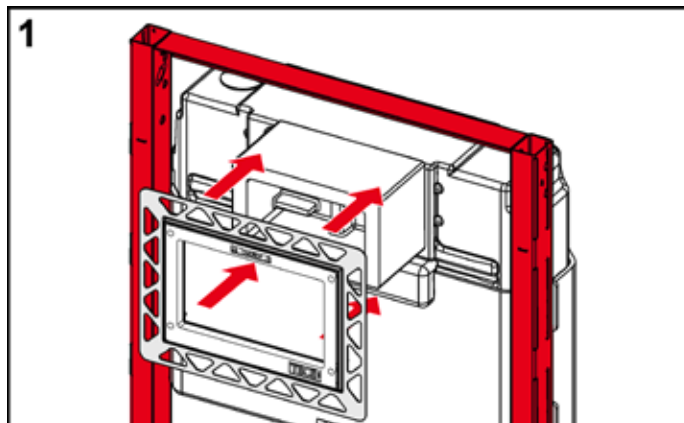
The TECEprofil dry-wall module and the toilet installation frame are required for installation in dry-wall structures. Dry-wall modules of all installation heights can be combined with the flush-mounted installation frame.

### Components required:

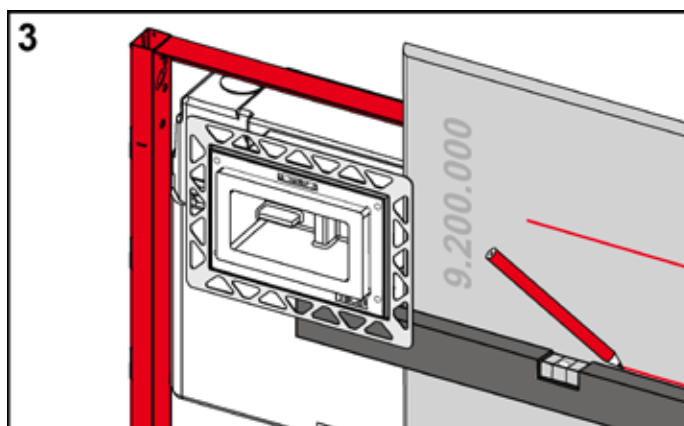
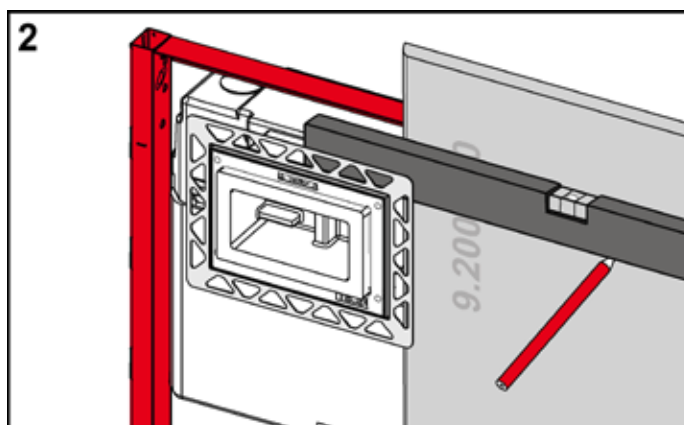


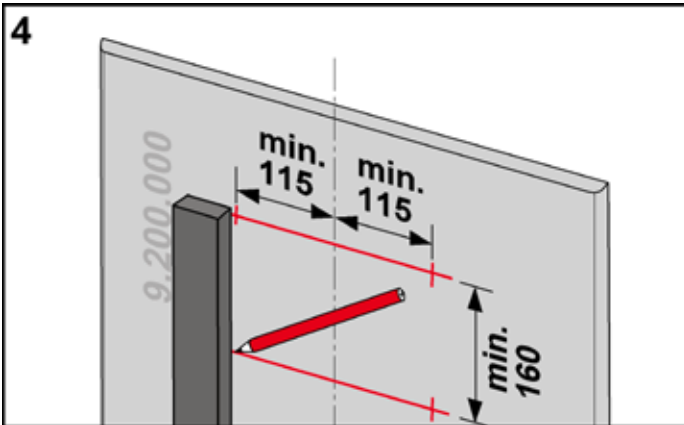
## Installing the toilet flush plate in a dry-wall

To insert the flush-mounted installation frame into the plasterboard, a recess for the cistern's inspection opening must be made in the plaster board.

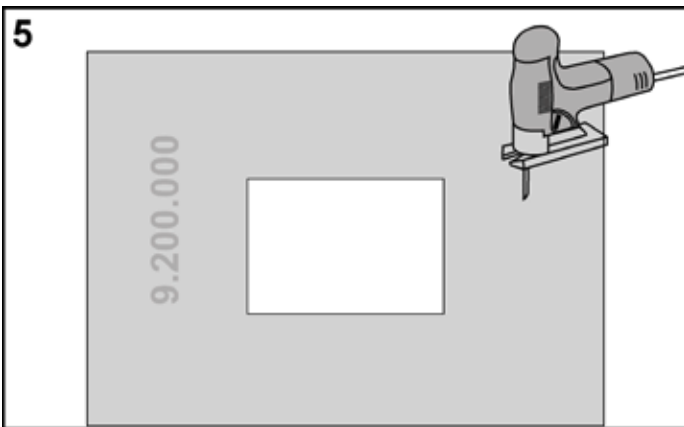


To do this, place the installation frame over the polystyrene bare-wall protection.

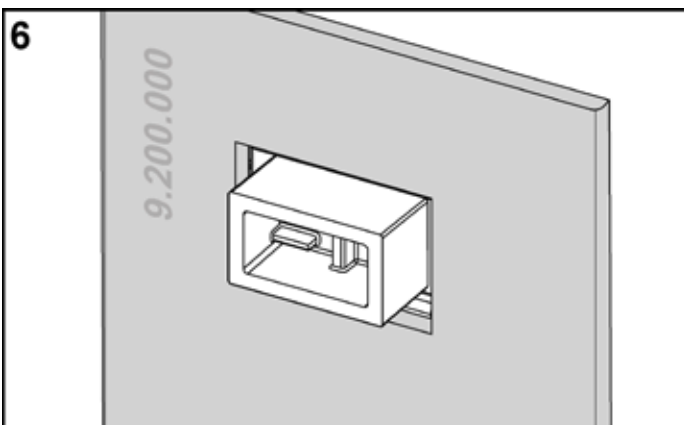




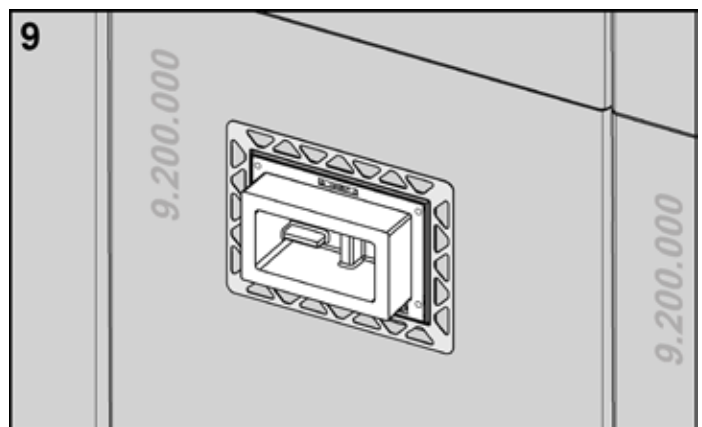
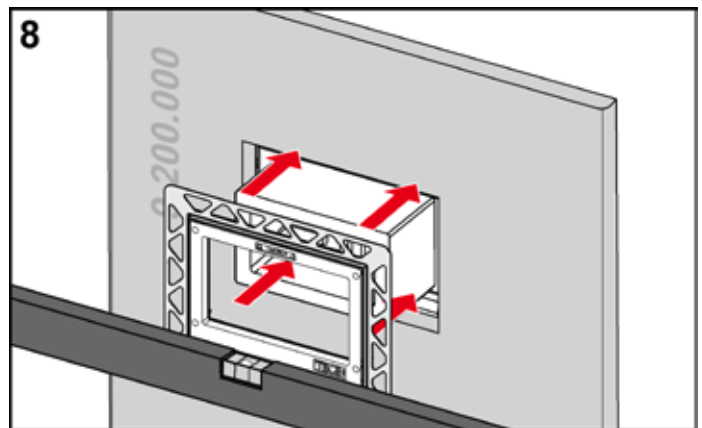
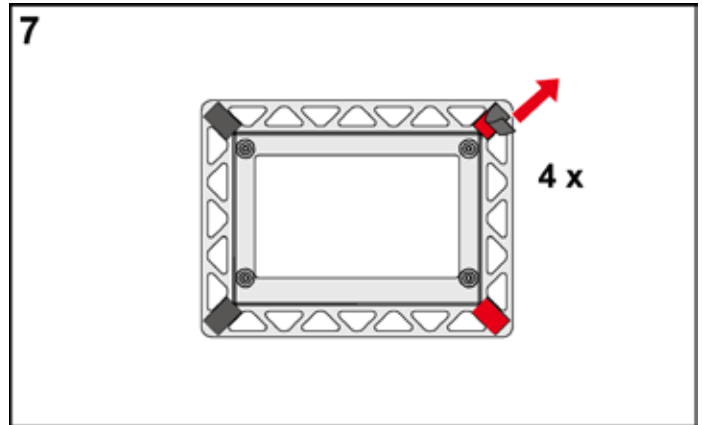
4 Mark the dimensions of the inside of the installation frame – width 230 mm, height 160 mm – in the centre of the plasterboard.



5 Saw the required opening for the installation frame in the board.

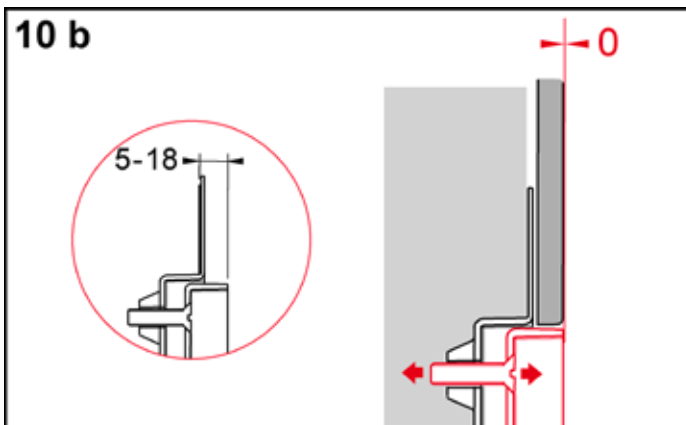
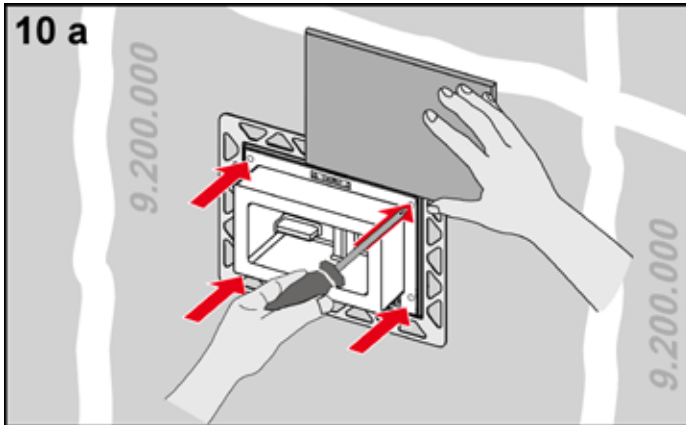


6 Screw the plasterboard centrally over the module.

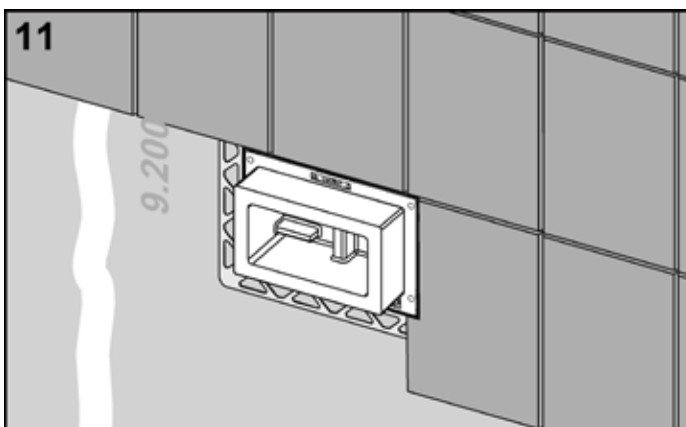


9 Remove the protective foils from the bonding surfaces on the installation frame, and stick them, together with those of the support frame, onto the plasterboard. Observe the correct position of the “TOP” marking, and ensure horizontal alignment.

## TECE flush plates – Flush-mounted installation



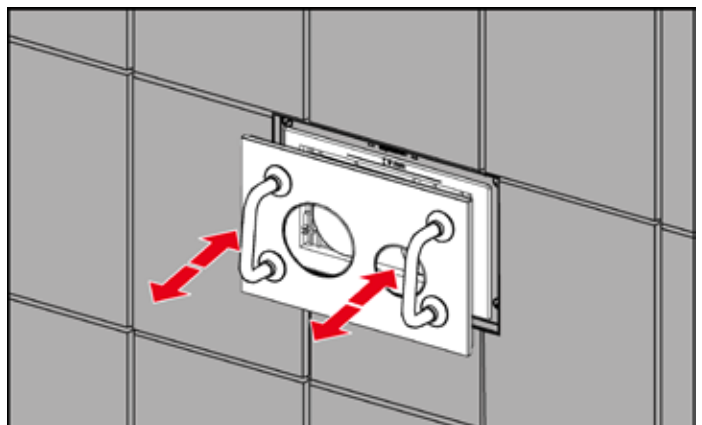
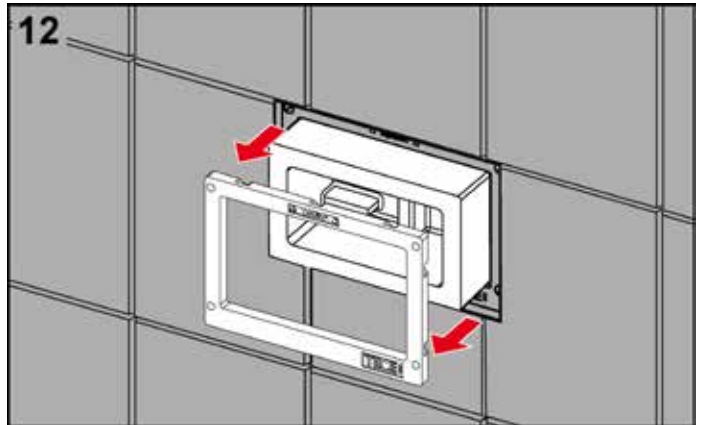
Adjust the depth of the installation frame to the tile thickness (5–18 mm). If the wall structure is thicker (up to 33 mm), as is the case for example with natural stone, you can use a suitable upgrade kit (order no. 9820181).



After adjusting the depth, you can tile right up to the installation frame.

### Tip:

To obtain a perfect tile edge around the installation frame, TECE recommends cutting the tiles with a water jet cutter.

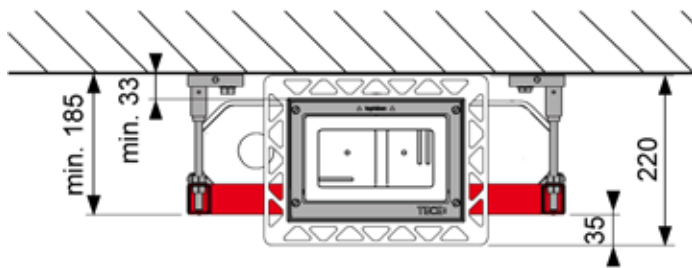


Remove the support frame and polystyrene bare-wall protection. Then mount the matching support frame as described in the respective installation instructions (TECE-loop or TECESquare). Finally, insert the flush plate with the aid of the bow-type handles (supplied with the installation frame) into the flush-mounted installation frame.



### Installation from above

The flush-mounted installation frame can also be used for top actuation. Installation is the same as installing the flush plate from the front. The frame must be mounted in the “reading direction” (= “TOP” lettering to the wall).

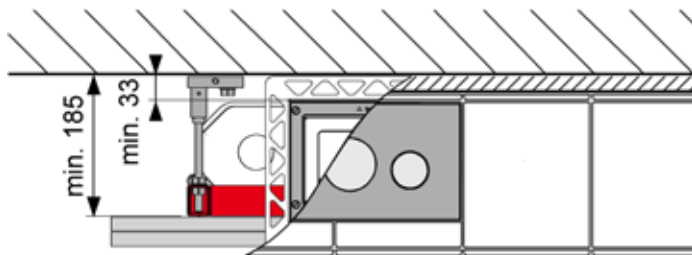


“Flush-mounted installation from above” – dimensions

However, thicker minimum panel facing is required due to the dimensions of the installation frame:

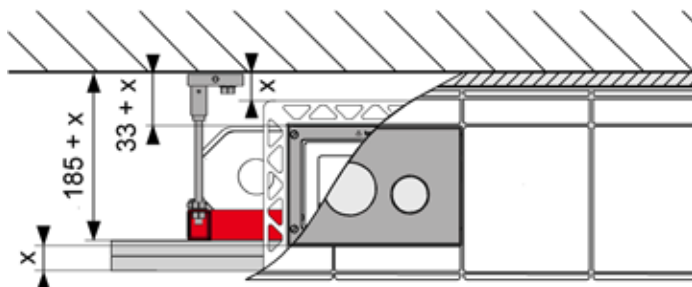
A **minimum panel facing of 35 mm** corresponds to a panel facing with

- 2 x 18 mm or
- 3 x 12.5 mm thick plaster board.



“Flush-mounted top actuation” installation – minimum wall structure

On a minimum wall structure, there is no space left between the installed flush plate and the wall (see picture above). However, for aesthetic reasons, an equal distance in front of and behind the flush plate is preferred (see picture below). This also applies to the installation of the TECESquare metal flush plate which has slightly larger dimensions.



“Flush-mounted installation from above” – wall structure (suggestion)

### Brick-wall – toilet flush plate

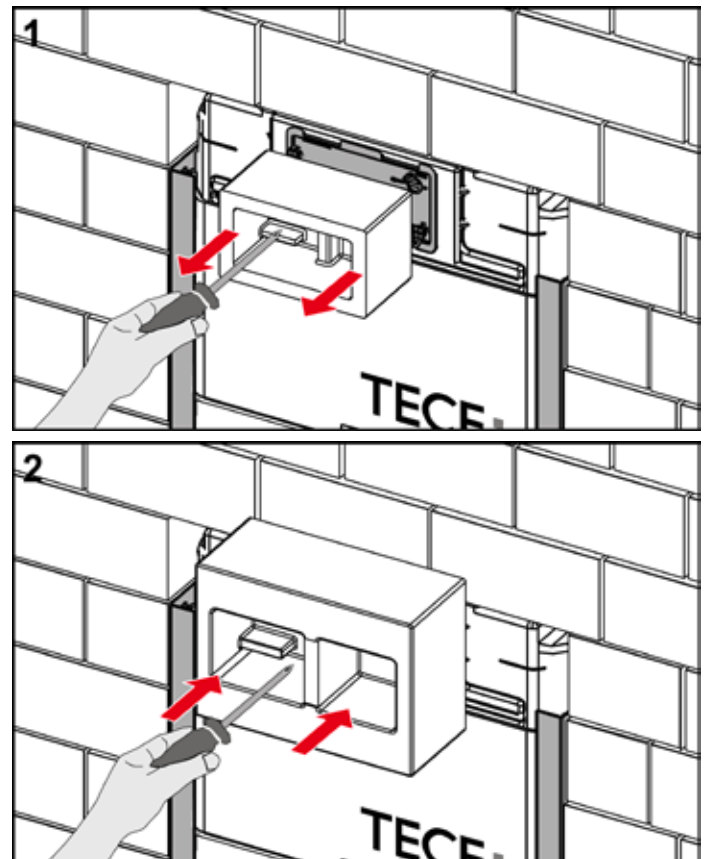
In contrast to the dry-wall, for the brick-wall, an extended bare-wall protection is required in addition to the TECEbox brick-wall mounted cistern.

However, TECE cisterns of all installation heights can also be used in brick-walls.

#### Components required:

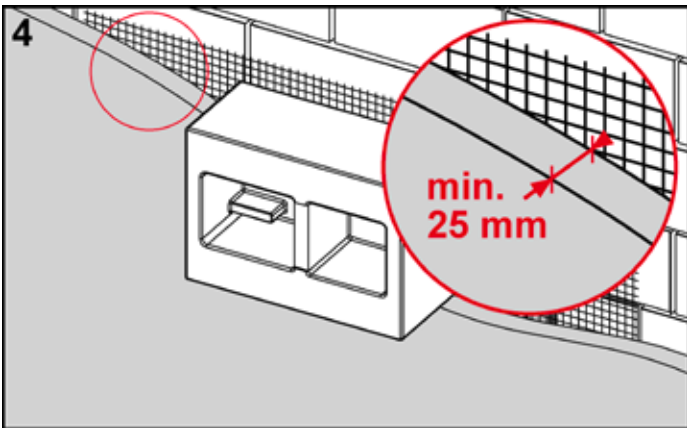
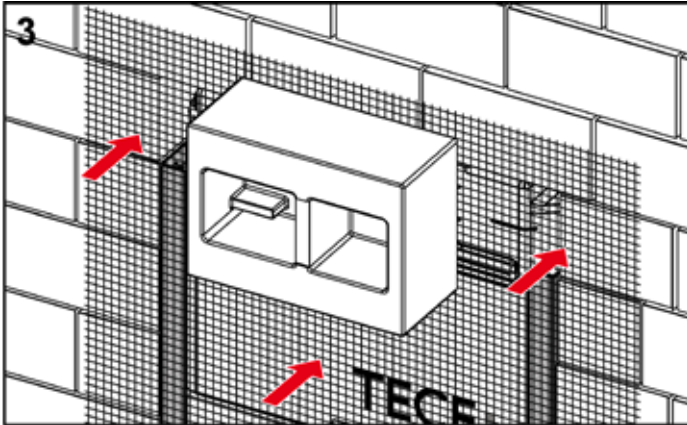


### Installing the toilet flush plate in a brick-wall

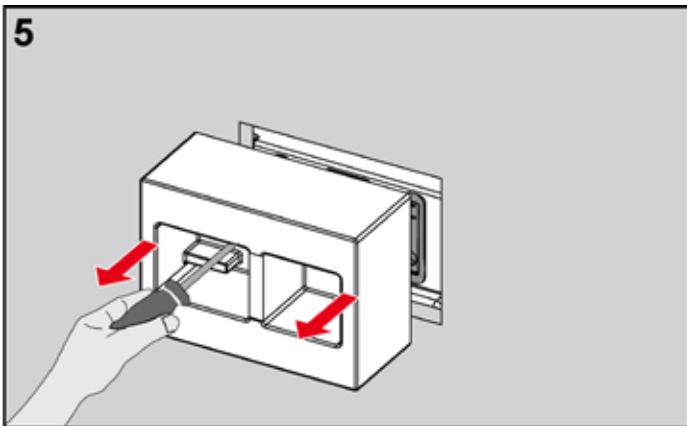


Remove the standard bare-wall protection and mount the larger brick-wall bare-wall protection for flush-mounted installations (order no. 9030029).

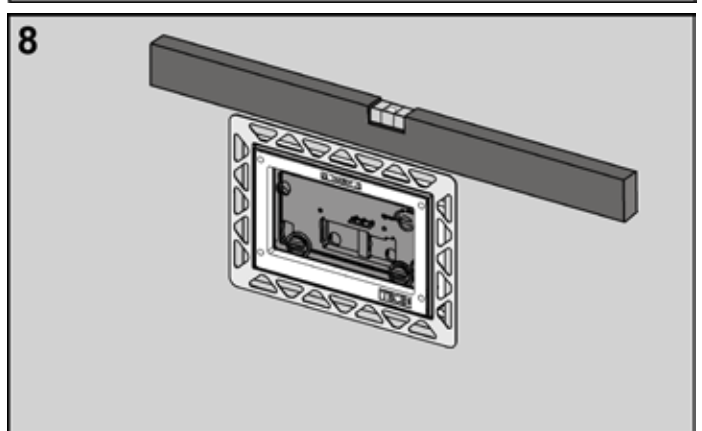
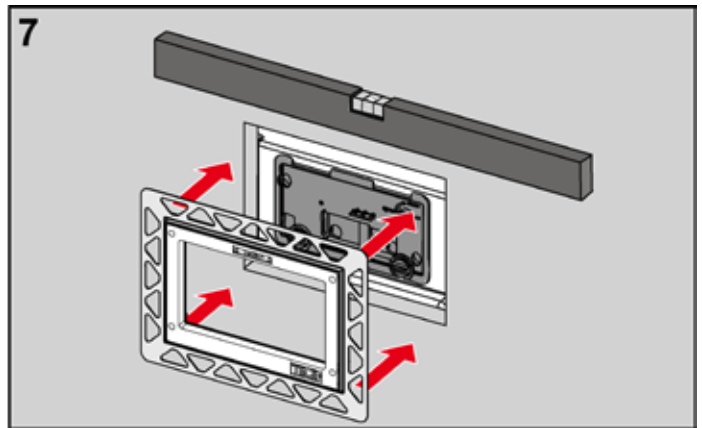
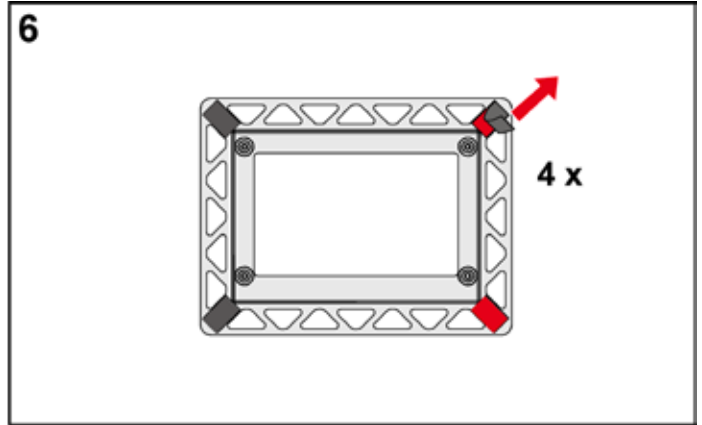
## TECE flush plates – Flush-mounted installation



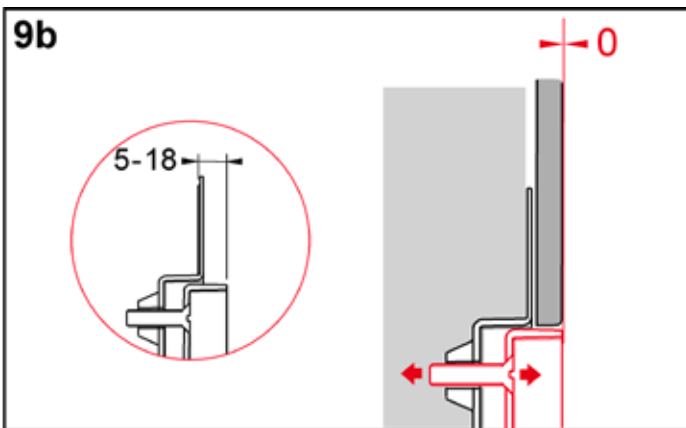
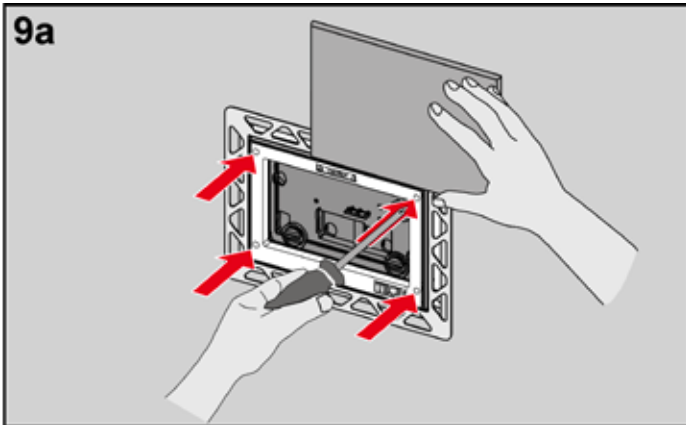
Mount the expanded metal, reinforcement fabrics or similar in the cistern area. Apply a layer of plaster of at least 25 mm thick (measured from the front edge of the splash guard) to the wall.



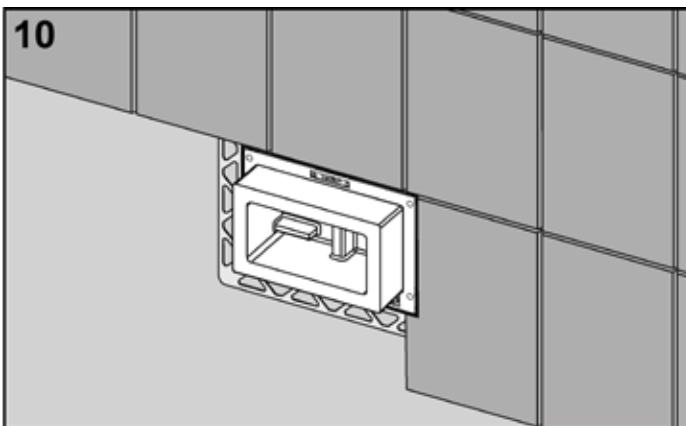
Remove the brick-wall bare-wall protection.



Remove the protective foils from the bonding surfaces on the installation frame, and stick them, together with those of the support frame onto the plastered surface. Observe the correct position of the "TOP" marking, and ensure horizontal alignment.



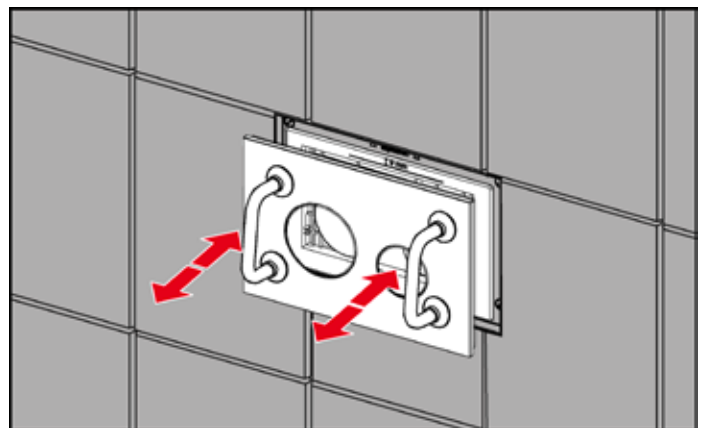
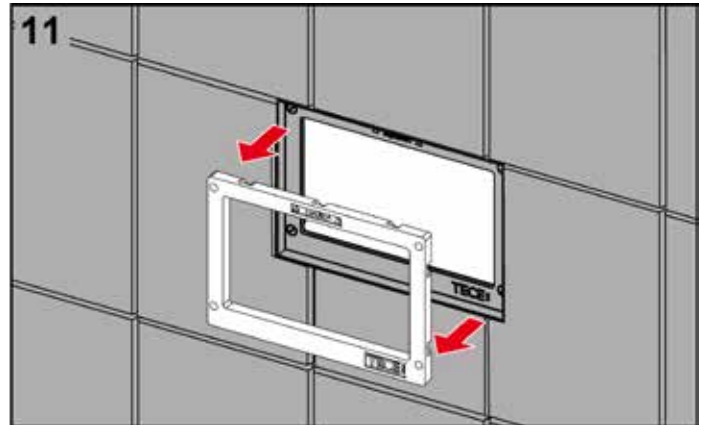
Adjust the depth of the installation frame to the tile thickness (5–18 mm). If the wall structure is thicker (up to 33 mm), as is the case for example with natural stone, you can use a suitable upgrade kit (order no. 9820181).



After adjusting the depth, you can tile right up to the installation frame.

**Tip:**

To obtain a perfect tile edge around the installation frame, TECE recommends cutting the tiles with a water jet cutter.

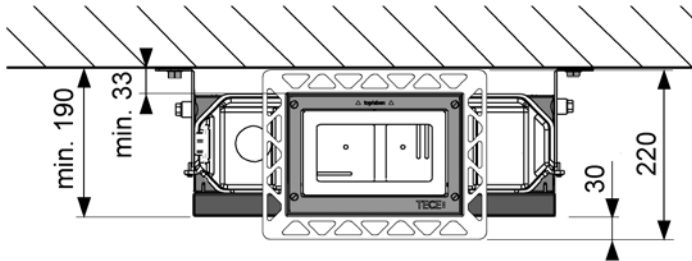


Remove the support frame and polystyrene bare-wall protection. Then mount the matching support frame as described in the respective installation instructions (TECE-loop or TECESquare). Finally, insert the flush plate into the flush-mounted installation frame with the aid of the bow-type handles. The handles are included in the installation frame's scope of supply.

# TECE flush plates – Flush-mounted installation

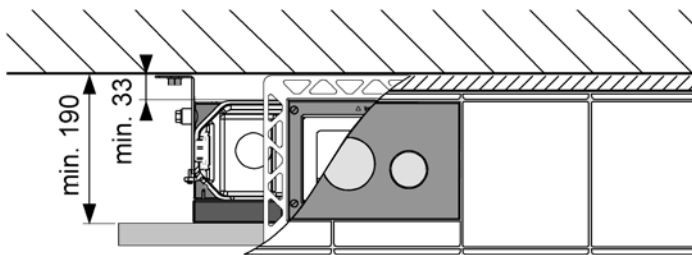
## Installation from above

In a brick-wall structure too, the flush-mounted installation frame can be used to install the flush plate from the top. Installation is the same as installing the flush plate from the front. The frame must be mounted in the “reading direction” (= “TOP” lettering to the wall).



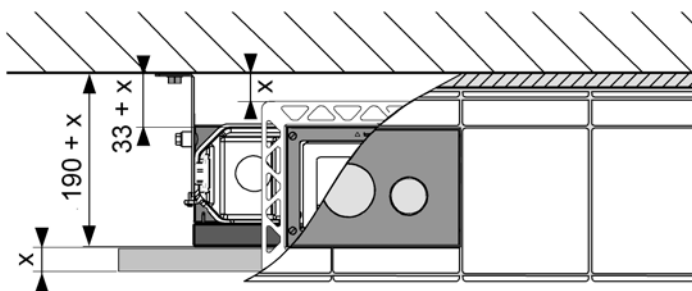
“Flush-mounted installation from above”– dimensions

Due to the installation frame's dimensions a thicker wall structure is necessary:  
Minimum wall structure = 30 mm



“Flush-mounted installation from above” – minimum wall structure

On a minimum wall structure, there is no space left between the installed flush plate and the wall (see illustration above). However, for aesthetic reasons, an equal distance in front of and behind the flush plate is preferred (see illustration below). This also applies to the installation of the TECEsquare metal flush plate which has slightly larger dimensions.



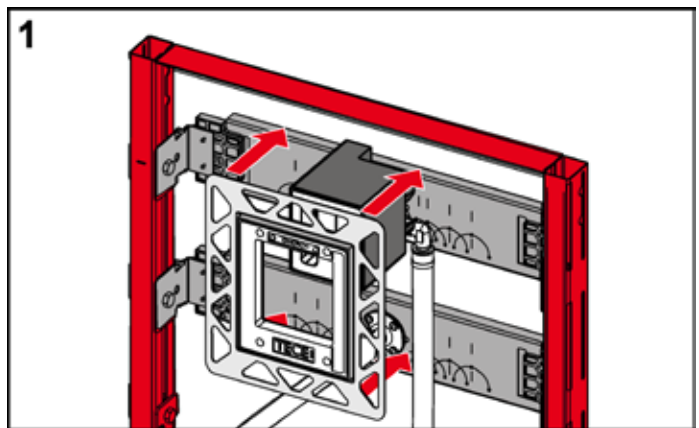
“Flush-mounted installation from above” – wall structure (suggestion)

## Dry-wall – urinal flush plate

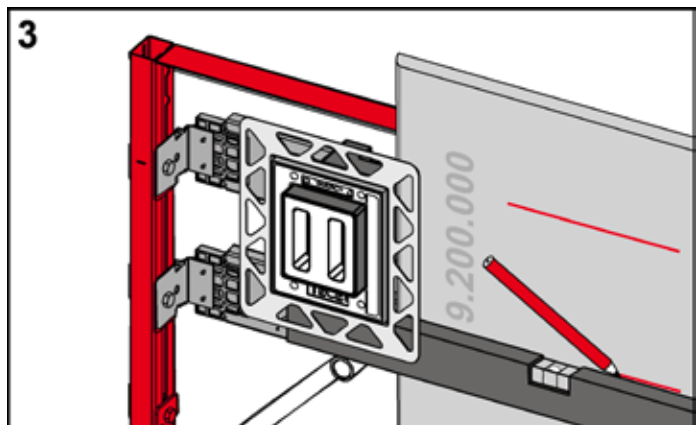
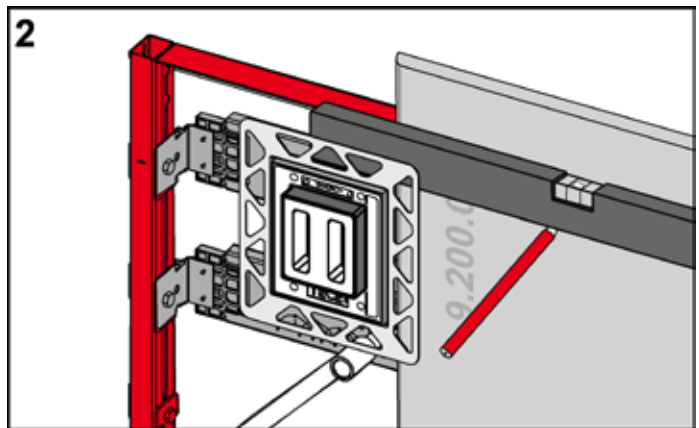
A flush-mounted installation frame also exists for urinals. The TECEloop urinal flush plate can be installed by flush-mounting this frame in dry-wall structures.

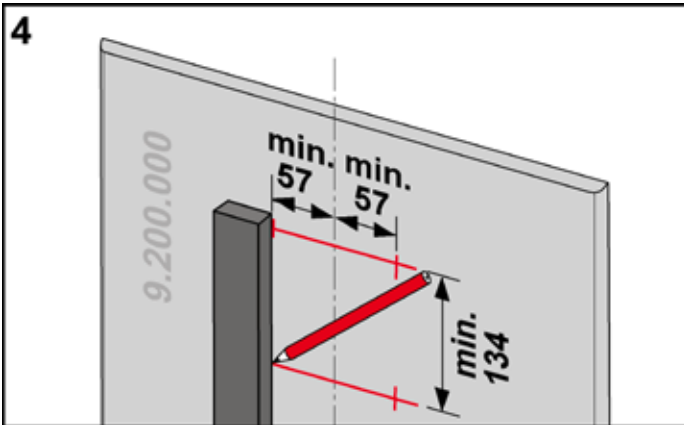
## Installing the urinal flush plate in a dry-wall

To insert the flush-mounted installation frame into the plasterboard, a recess for the cistern's inspection opening must be made in the plaster board.

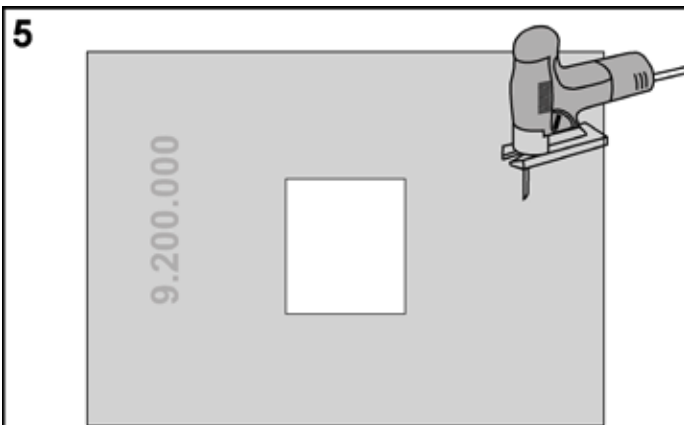


To do this, place the installation frame over the urinal bare-wall protection.

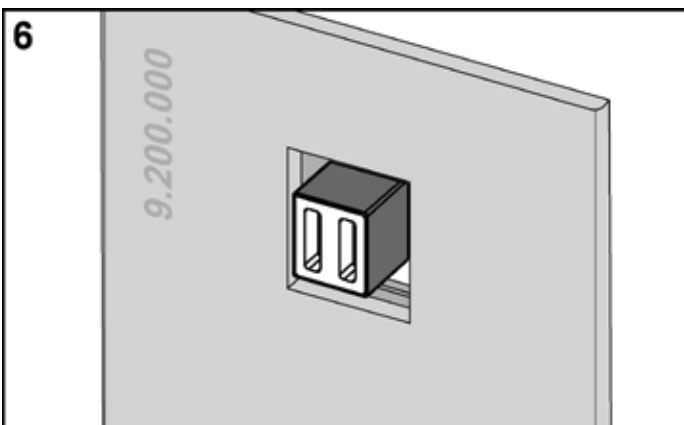




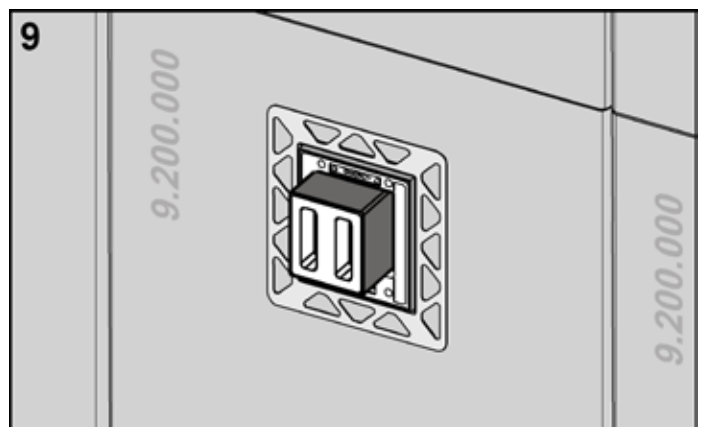
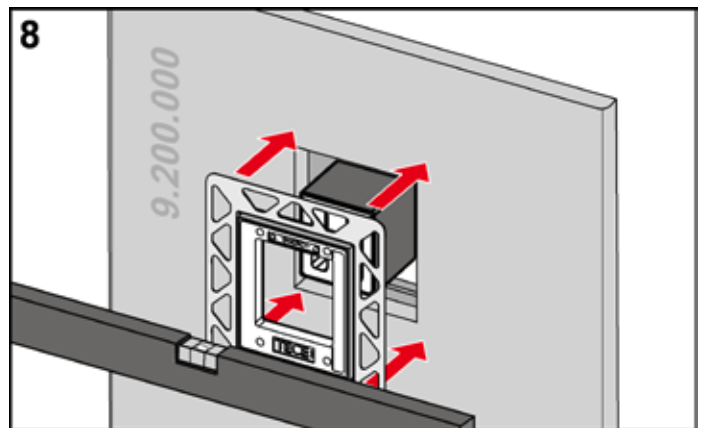
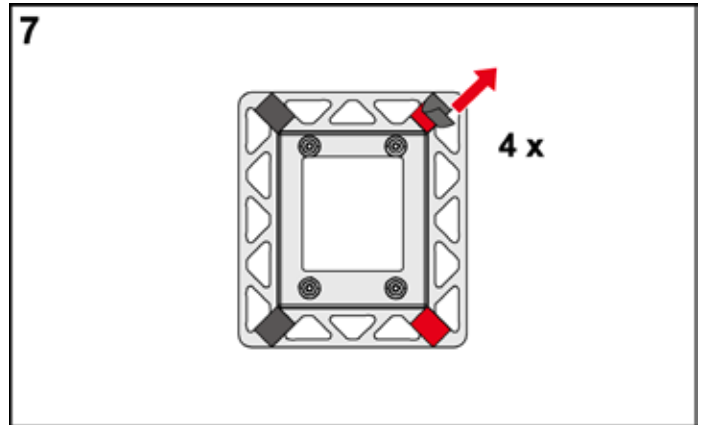
Mark the dimensions of the inside of the installation frame – width 114 mm, height 134 mm – in the centre of the plasterboard.



Saw the required opening for the installation frame in the board.

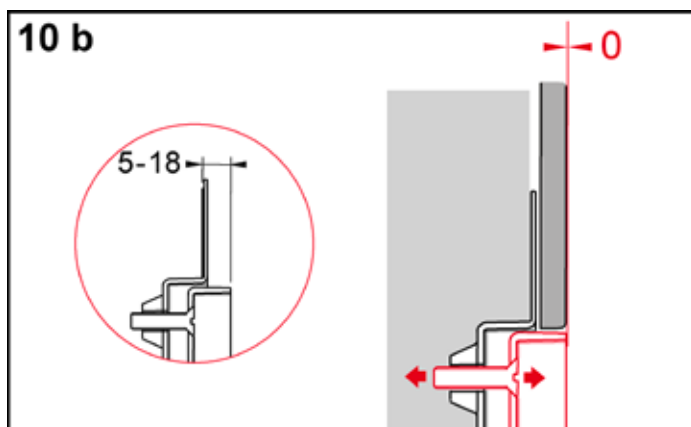
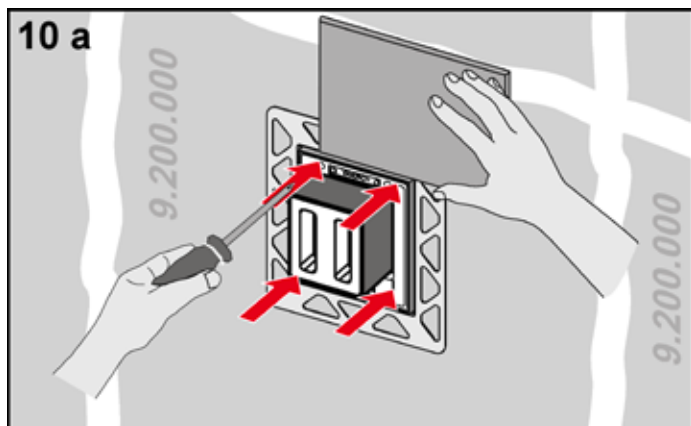


Screw the plasterboard centrally over the module.

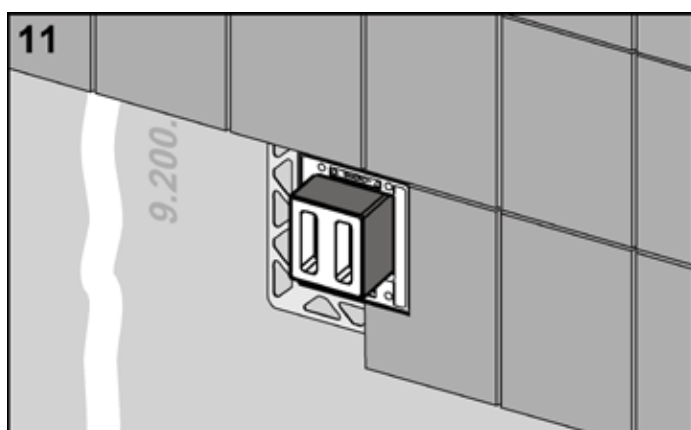


Remove the protective foils from the bonding surfaces on the installation frame, and stick them, together with those of the support frame, onto the plasterboard. Observe the correct position of the “TOP” marking, and ensure horizontal alignment.

## TECE flush plates – Flush-mounted installation



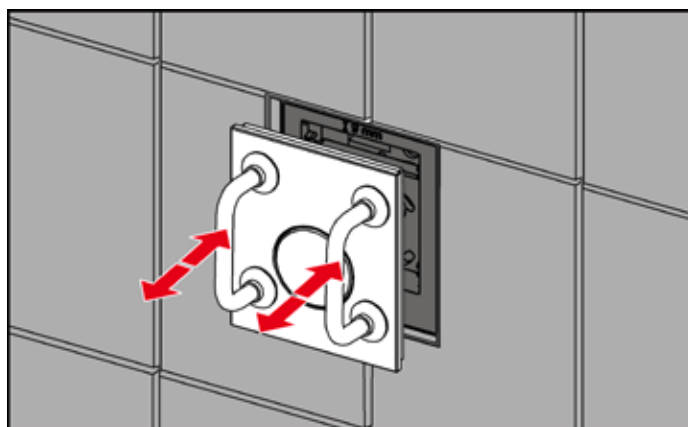
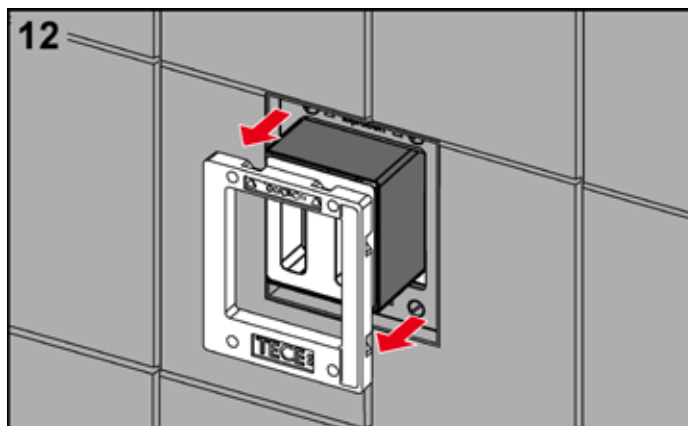
Adjust the depth of the installation frame to the tile thickness (5–18 mm). If the wall structure is thicker (up to 33 mm), as is the case for example with natural stone, you can use a suitable upgrade kit (order no. 9820181).



After adjusting the depth, you can tile right up to the installation frame.

### Tip:

To obtain a perfect tile edge around the installation frame, TECE recommends cutting the tiles with a water jet cutter.



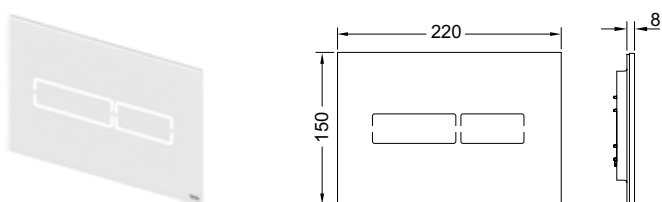
Remove the support frame and proceed as described in the installation instructions (installing the urinal cartridge, installing the support frame, etc.). Finally, insert the flush plate into the flush-mounted installation frame with the aid of the bow-type handles. The handles are included in the installation frame's scope of supply.

## TECElux Mini

The TECElux Mini is a real glass flush plate with electronic flush actuation. A sensor recognizes when somebody approaches the toilet – at which point, the contours of the sensor surfaces light up through the seamlessly smooth glass facing.

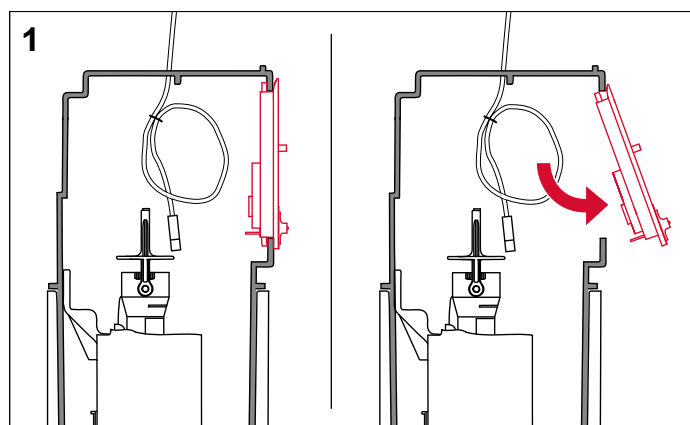
Flushing is activated without contact or by a light tap.

The safety glass plate only stands out slightly from the wall. Thanks to the installation frame, it can also be flush-mounted in the wall.

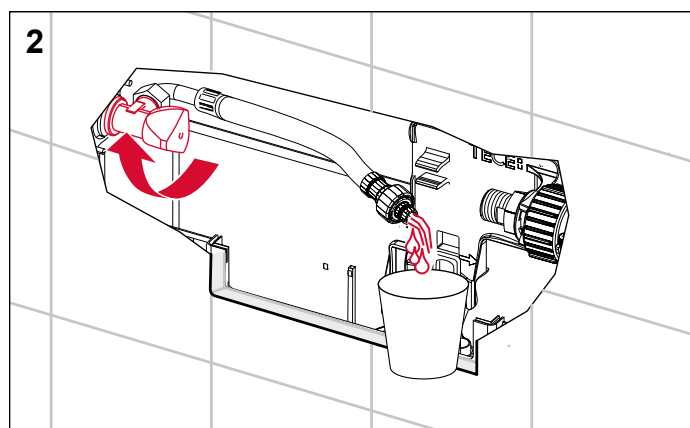


TECElux Mini toilet flush plate, dual-flush technology

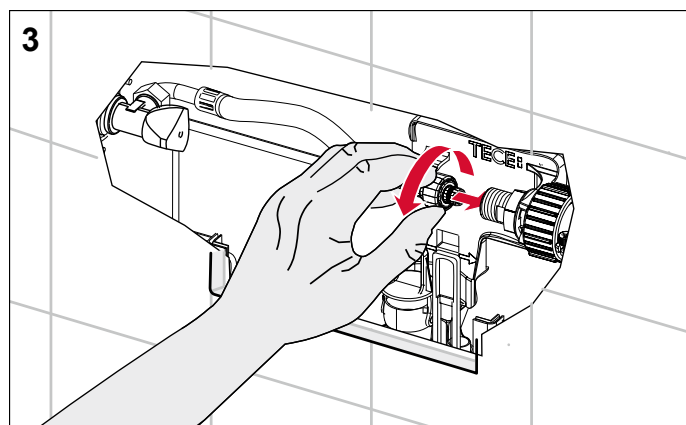
## Wall-mounted installation of the toilet flush plate



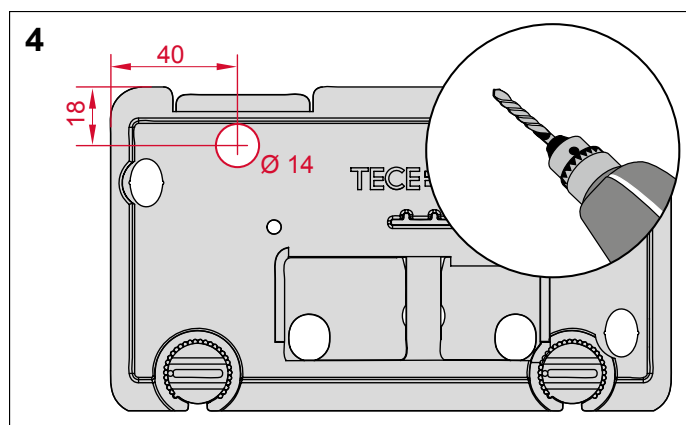
Open the splash guard.



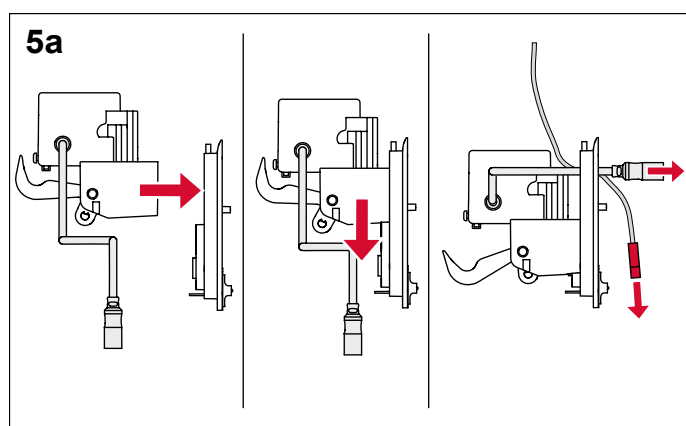
Open the corner valve and sufficiently flush out the pipe.



Turn the corner valve to close it again and connect the reinforced hose to the filling valve. If you wish to fill the cistern with water (e.g. for the initial operation), you must open the corner valve again.



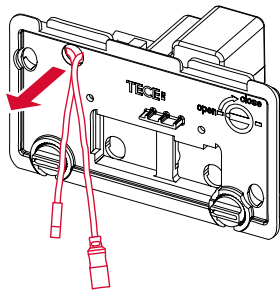
If there is no hole in the splash guard, drill a hole on the splash guard in the area shown.



Mount the actuation motor onto the splash guard.

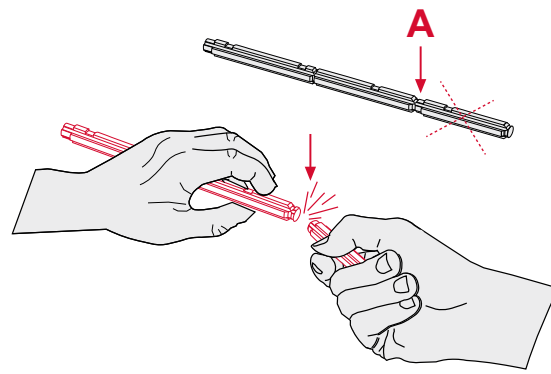
# TECE flush plates – TECElux Mini

5b

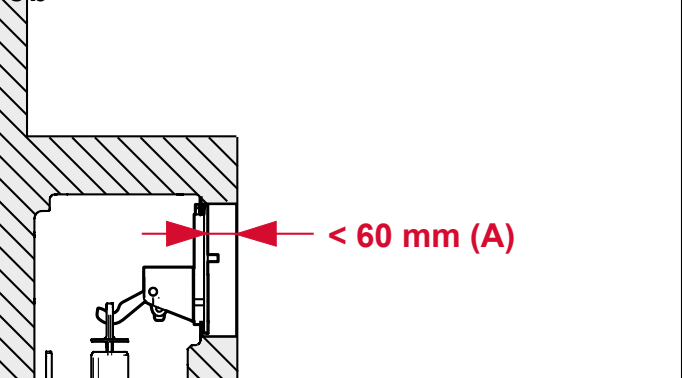


Guide the cable and plug through the splash guard.

8a

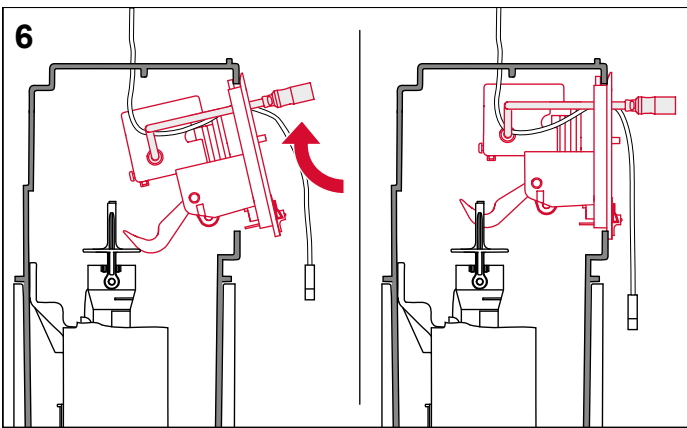


8b



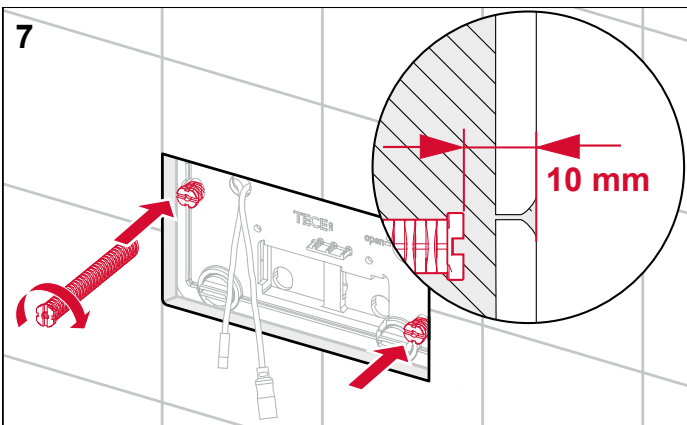
Break off the actuating rods according to the wall structure.

6



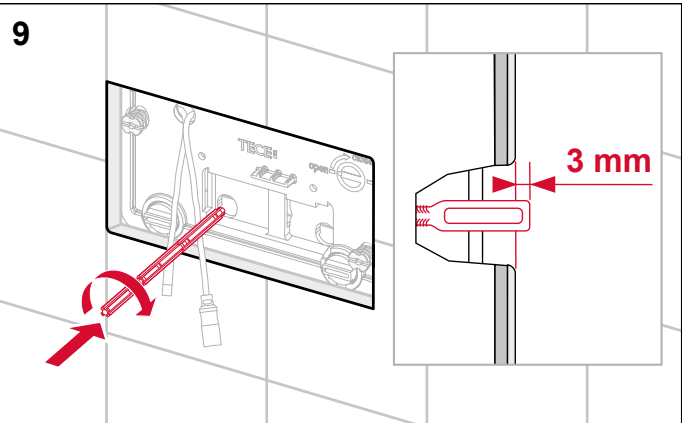
Place the splash guard and actuation motor back in the cistern.

7



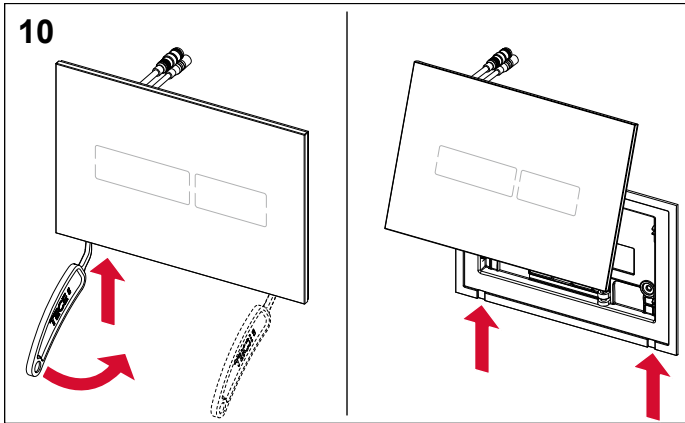
Screw in both attachment rods – distance of attachment rods to wall surface = 10 mm.

9

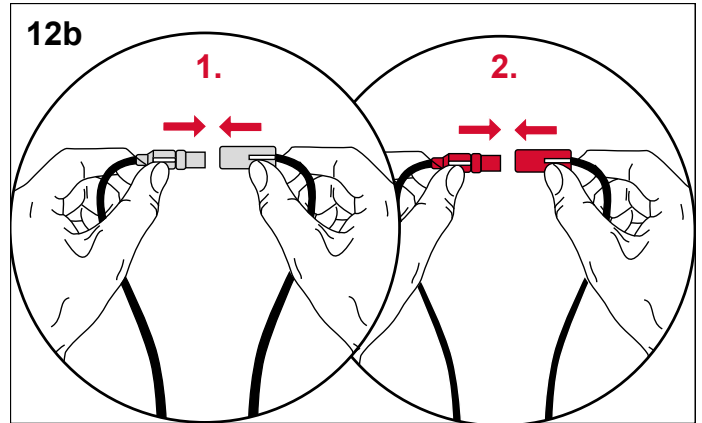


Screw in both actuating rods – distance of actuating rods to wall surface = 3 mm.

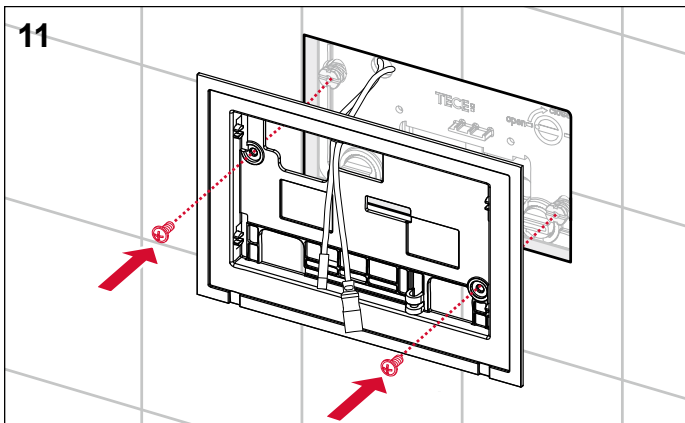




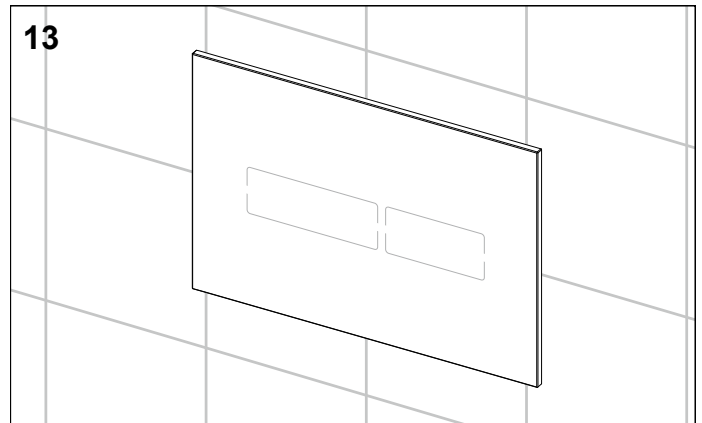
The cover can be detached from the flush plate using the disassembly tool. To do this, insert the tool into the recesses on the underside of the flush plate and carefully remove the cover.



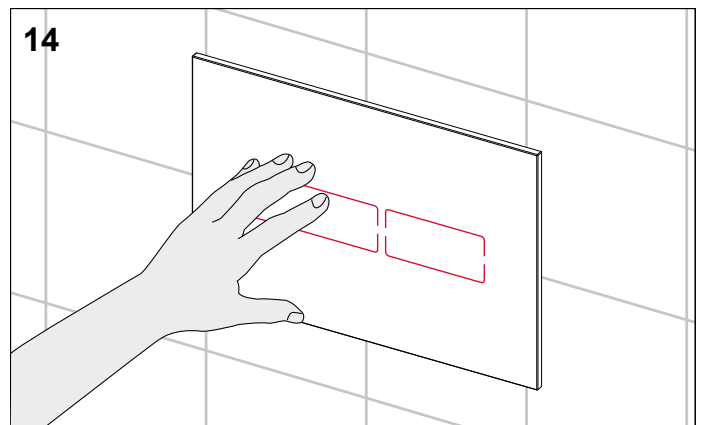
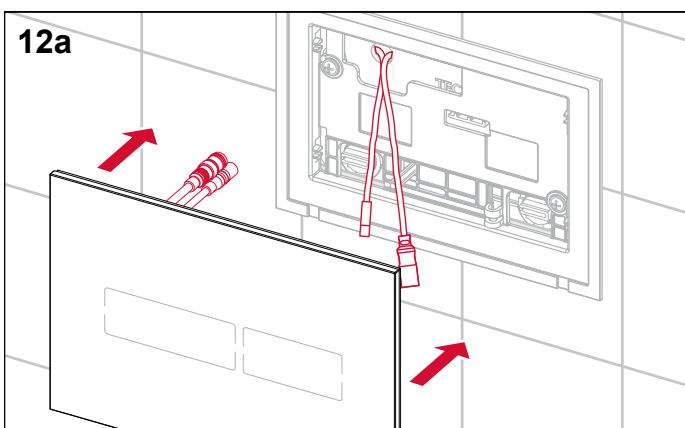
Connect the plug to the actuation motor and the transformer.



Screw the support frame onto the attachment rods.

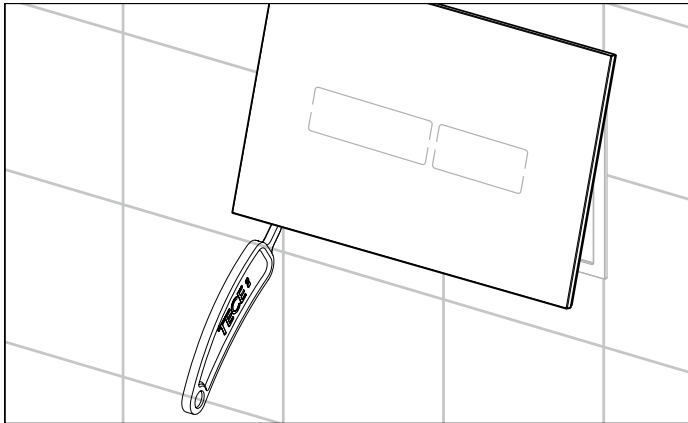


Mount the glass cover of the TECeLux Mini electronics



Check whether the touch pad lights up.

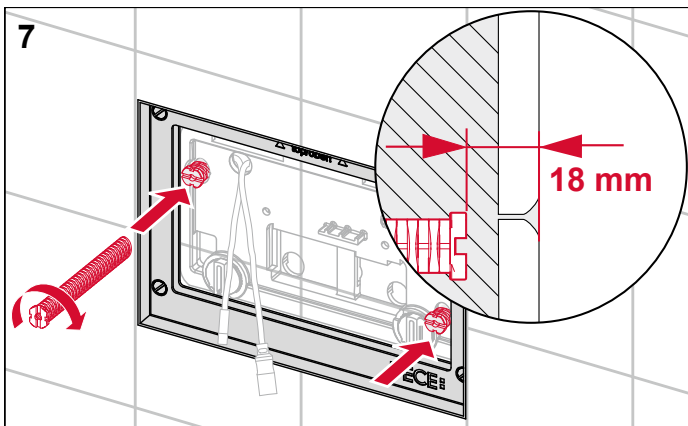
# TECE flush plates- TECElux Mini



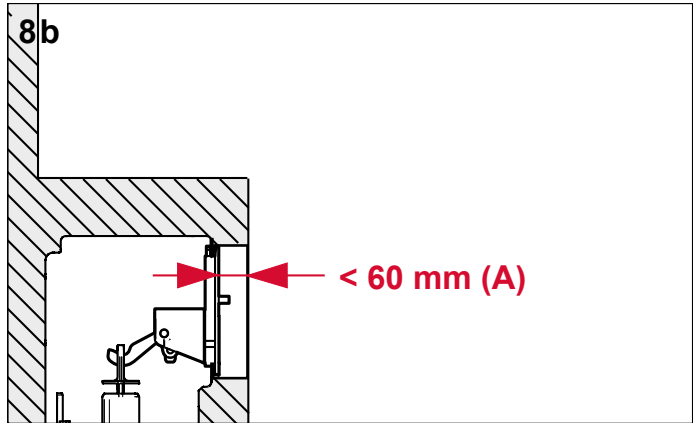
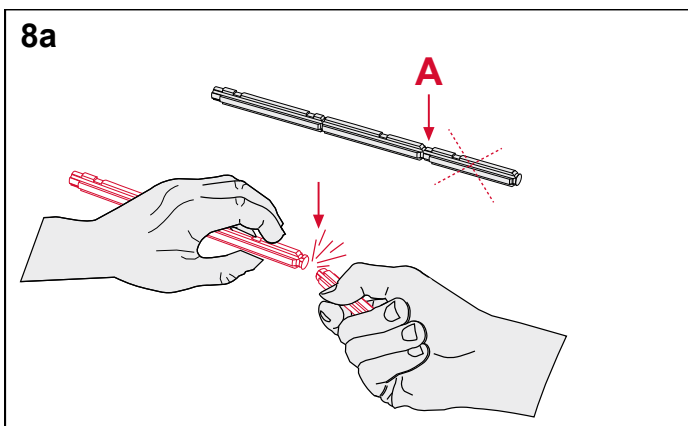
The cover can be detached from the flush plate using the disassembly tool. To do this, insert the tool into the recesses on the underside of the flush plate and carefully remove the cover.

## Flush-mounted installation of the toilet flush plate

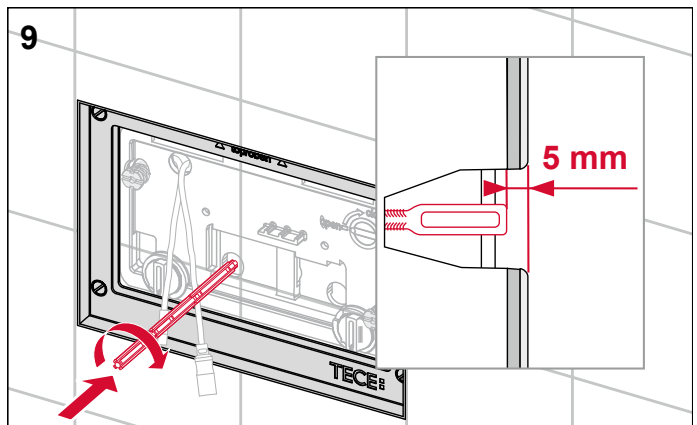
For the flush-mounted installation of the TECElux Mini flush plate, follow the same first six steps for the wall-mounted installation of the TECElux Mini.



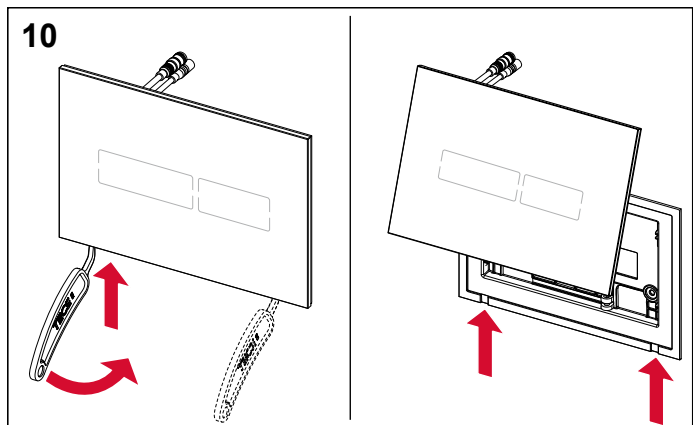
Screw in both attachment rods – distance of attachment rods to wall surface = 18 mm.



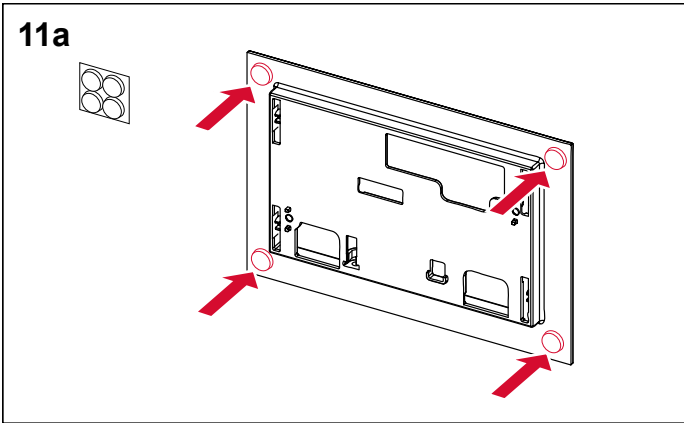
Break off the actuating rods according to the wall structure.



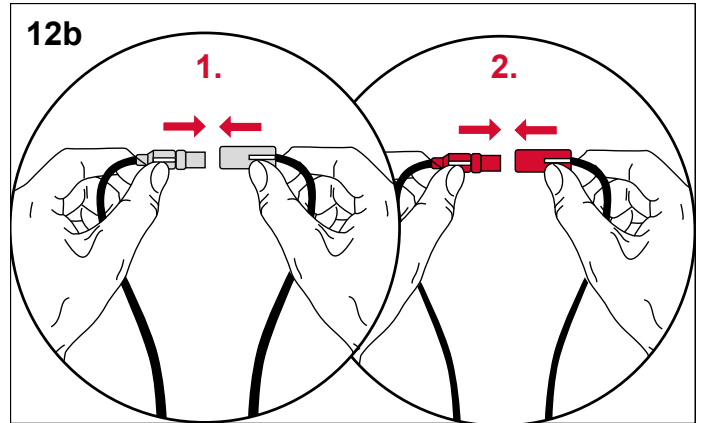
Screw in both actuating rods – distance of actuating rods to wall surface = 5 mm.



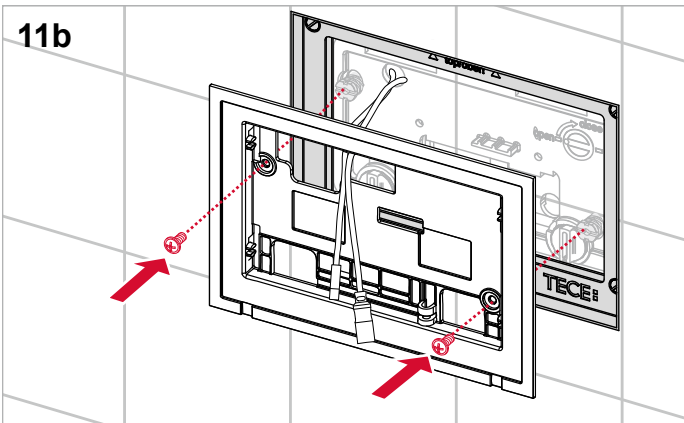
The cover can be detached from the flush plate using the disassembly tool. To do this, insert the tool into the recesses on the underside of the flush plate and carefully remove the cover.



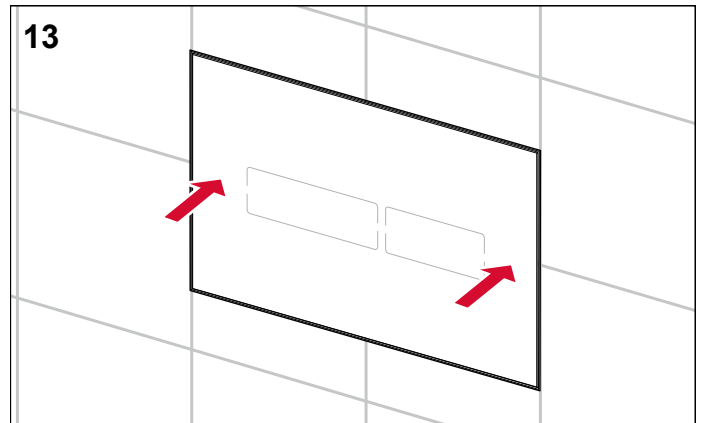
11a  
Stick the spacers onto the back of the TECElux Mini's support frame.



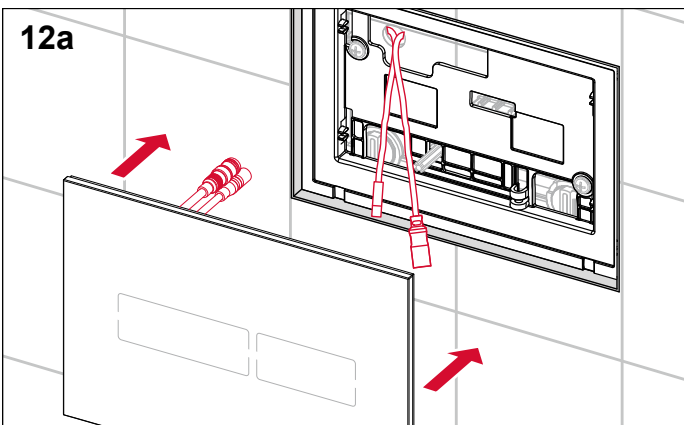
12b  
Connect the plug to the actuation motor and the transformer.



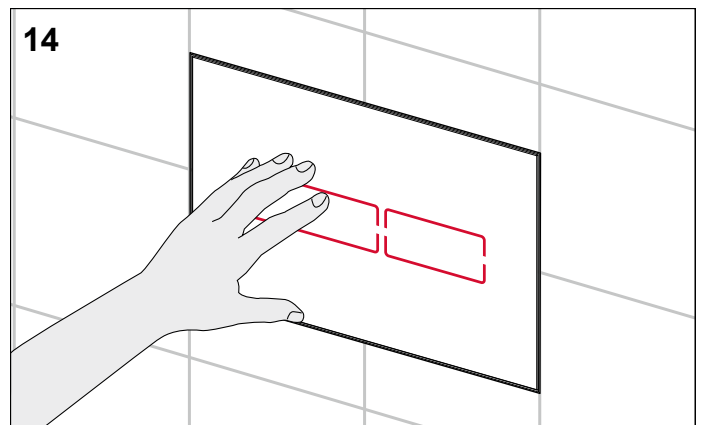
11b  
Screw the support frame onto the attachment rods.



13  
Mount the glass cover of the TECElux Mini electronics.



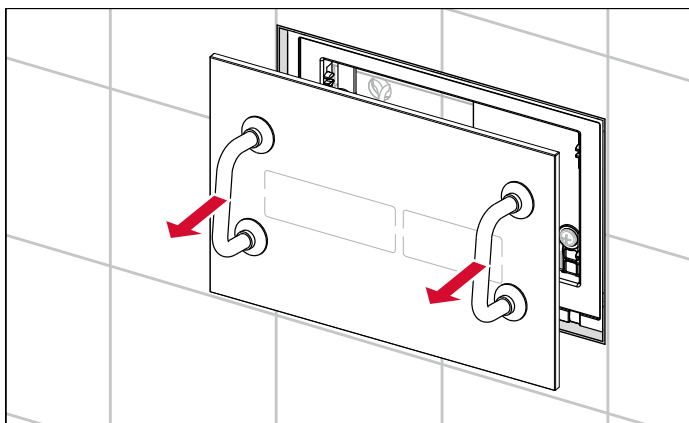
12a



14

Check whether the touch pad lights up.

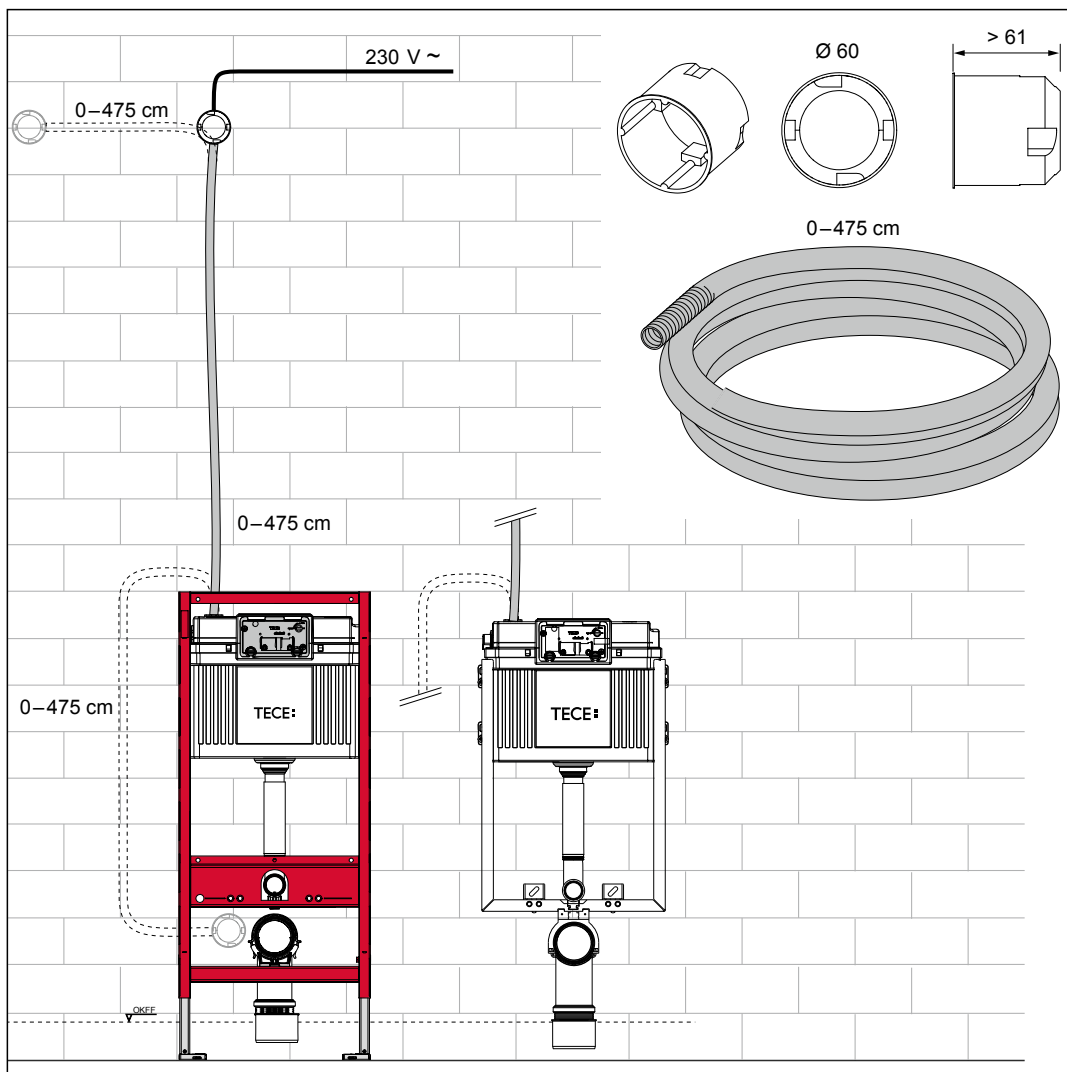
## TECE flush plates – TECElux Mini



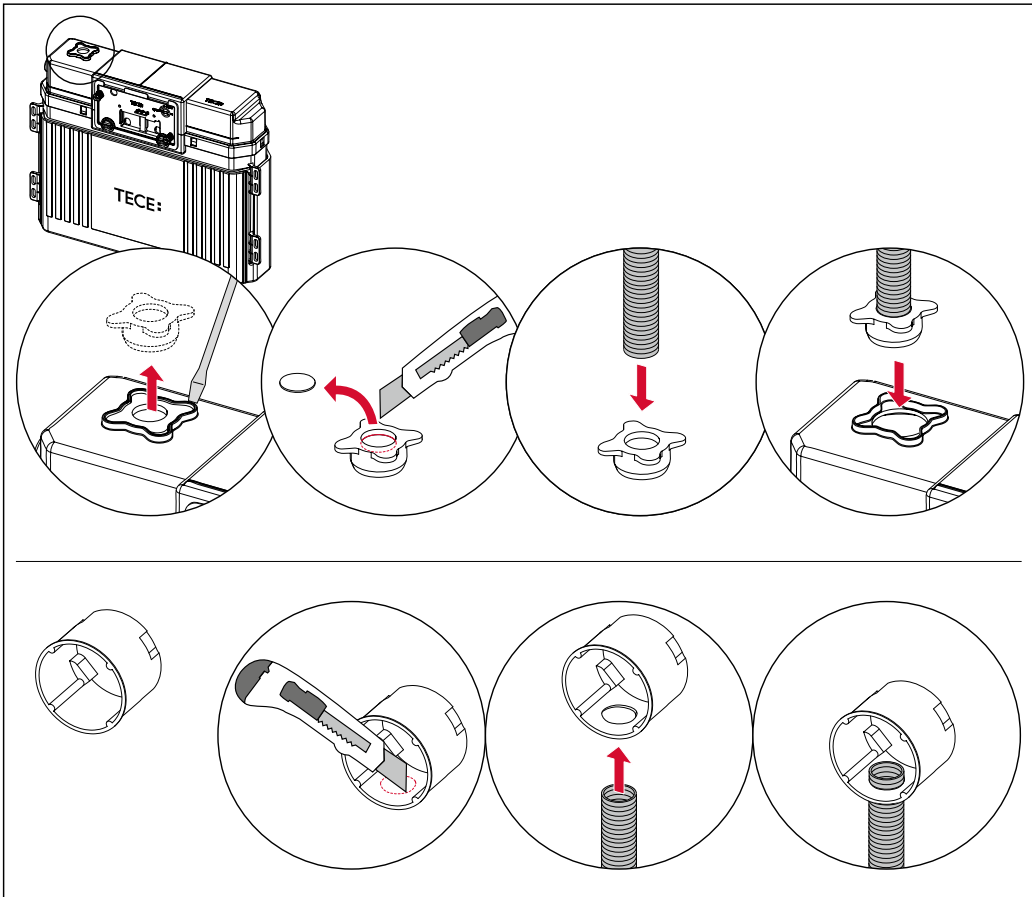
The installed cover can be removed from the flush plate using the bow-type handles included in the installation frame's scope of supply.

### Installing the transformer with connection cable

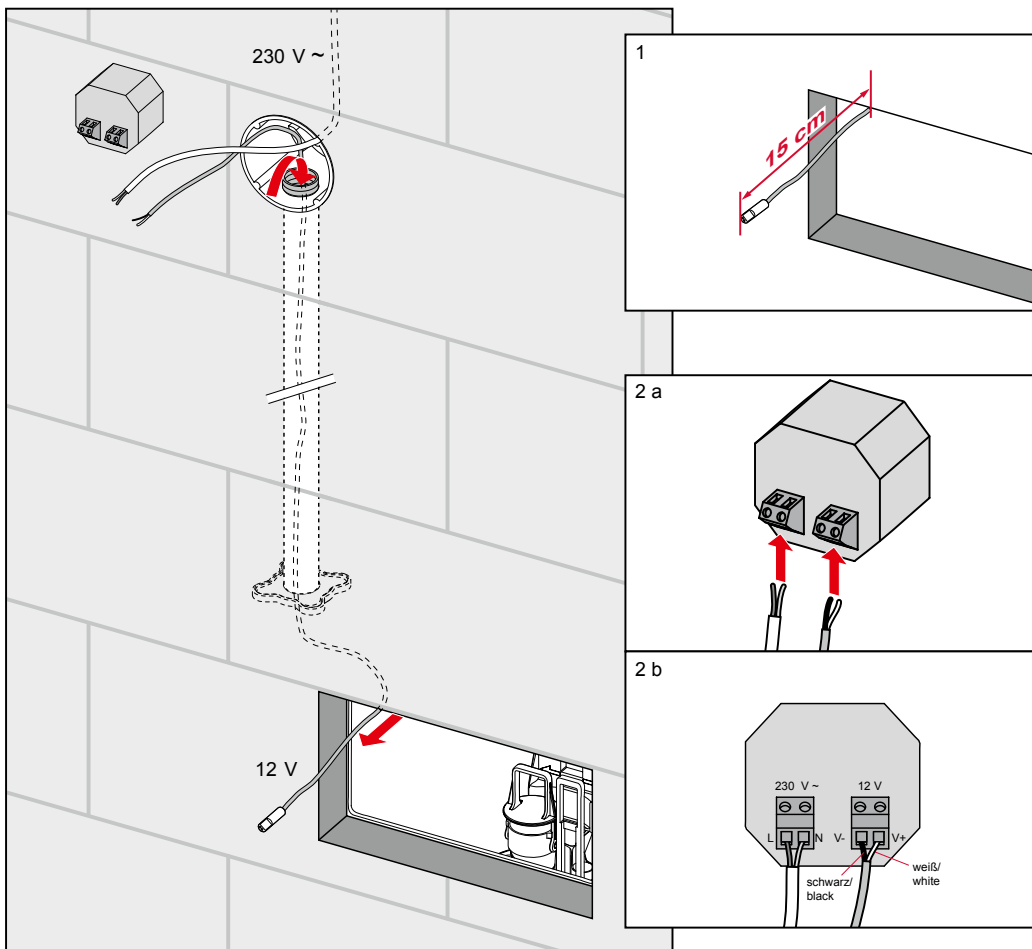
The transformer is required for the TECElux Mini's power supply. A flush-mounted socket with a diameter of min. 60 mm and a depth of 61 mm is suitable for installation in dry-wall or brick-wall structures.



Positioning the transformer: In the 0-475 cm range around the cistern (entire cable length: 5 m).

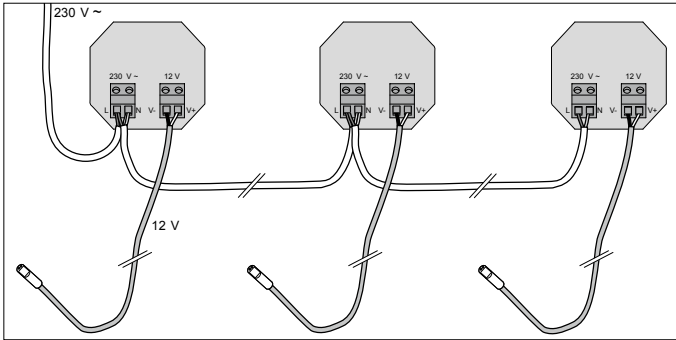


Feeding the cable into the cistern.



Connecting the transformer

# TECE flush plates– TECElux Mini



## Programming the electronics

A remote control (order no. 9240971) is required to program the TECElux Mini electronics. It is possible to program the electronics (at any time) after the power supply has been connected. In the event of a power failure, the last settings saved are retained. Each configurable setting is assigned a position on the remote control.

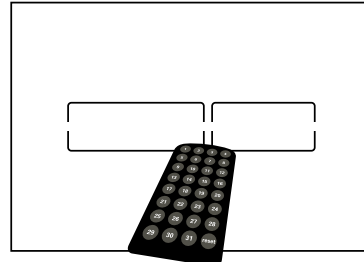
Software version 1.0	
Position	Function
1	Hygiene flush off
2	Hygiene flush 24 h
3	Hygiene flush 56 h
4	Hygiene flush 72 h
5	Hygiene flush 168 h
6	Hygiene flush 336 h
7	Illumination level 1 very bright
8	Illumination level 2 standard
9	Illumination level 3 dimmed
10	Illumination level 4 darker
11	Activate illumination 20 sec*
12	Activate illumination 2 mins
13	Activate illumination 3 mins
14	Activate illumination 4 mins
15	Activate illumination 5 mins
16	Activate illumination permanently*
17	Cleaning function off
18	Cleaning function on
19	Automatic flush off
20	Automatic flush 2 mins
21	Automatic flush 5 mins
22	Touchless operation
23	Touch operation
24	Identification long-distance
25	Identification standard
26	Identification short-distance
...	...
reset	Factory setting

= factory setting

\* function only for exhibitions

## Programming the TECElux Mini electronics:

- Move closer to the electronics until the button illumination is activated.
- Point the remote control towards the middle of the button area at a distance of 5–10 cm, then press the desired button on the remote control.



- A visual signal indicates that the desired function has been successfully configured: The button illumination switches off and flashes twice.

## Automatic flush:

- If the toilet flush is activated - and the toilet has not been flushed after use - an automatic flush is carried out 2 or 5 minutes after the button lighting has switched off.
- When the automatic flush is activated, the “person present” identification is automatically set to “Identification short-distance”.

## Manual flush:

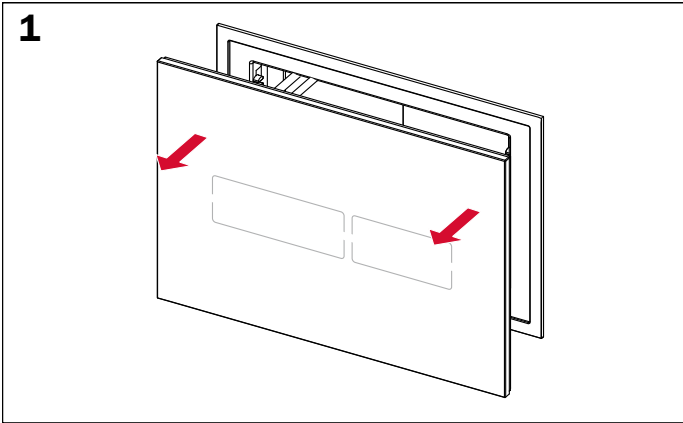
- It is possible to flush the toilet without power – e.g. following a power failure: To do so, remove the flush plate cover from the wall and press the red actuating rod.

## Cleaning function:

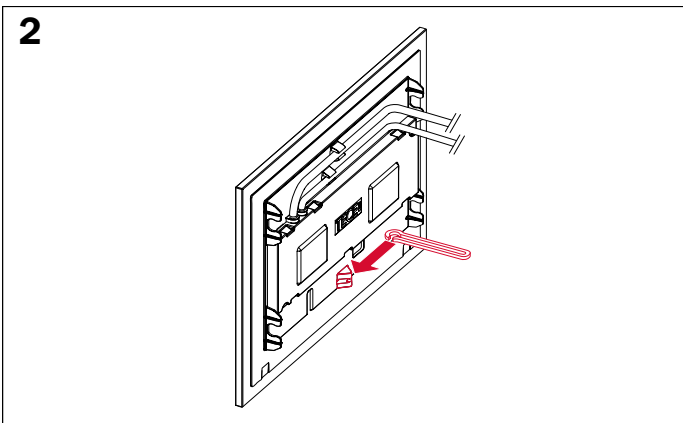
- When the cleaning function is activated, both the touch panel and the touchless operation are disabled for 30 seconds.
- Once this period has elapsed, the previously set functions are automatically available again.

## Installing the anti-theft device

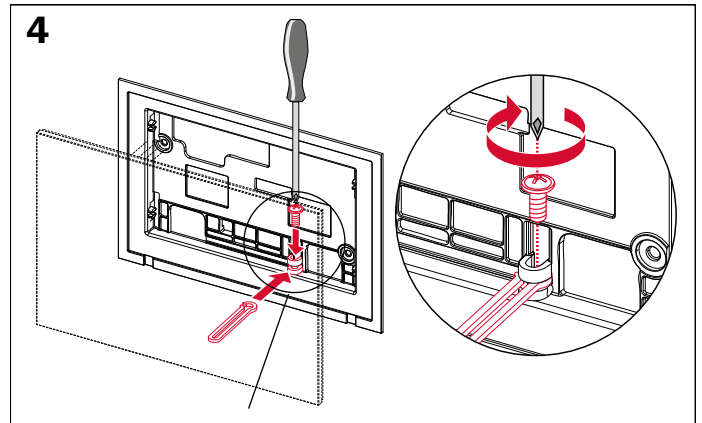
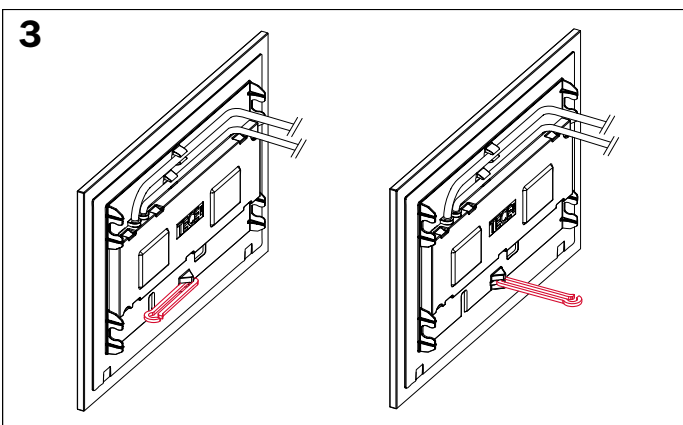
The TECElux Mini electronics can be protected by an anti-theft device. Order separately, quoting item number 9820354, and proceed as follows to mount the device:



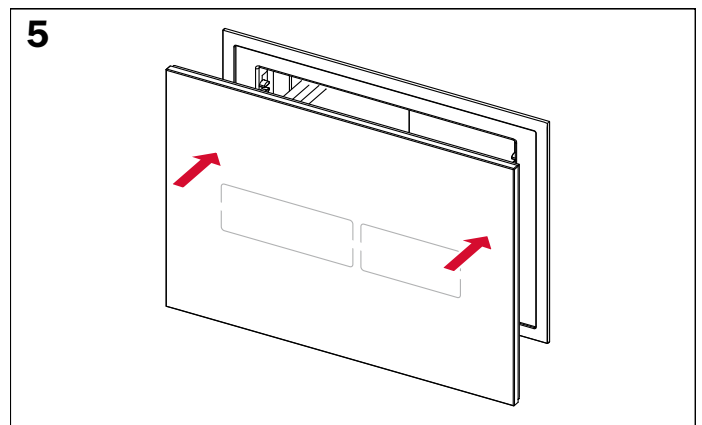
Dismount the glass cover of the TECElux Mini electronics.



Insert the anti-theft device into the glass cover mounting supports.



Attach the anti-theft device to the support frame with the screw supplied.

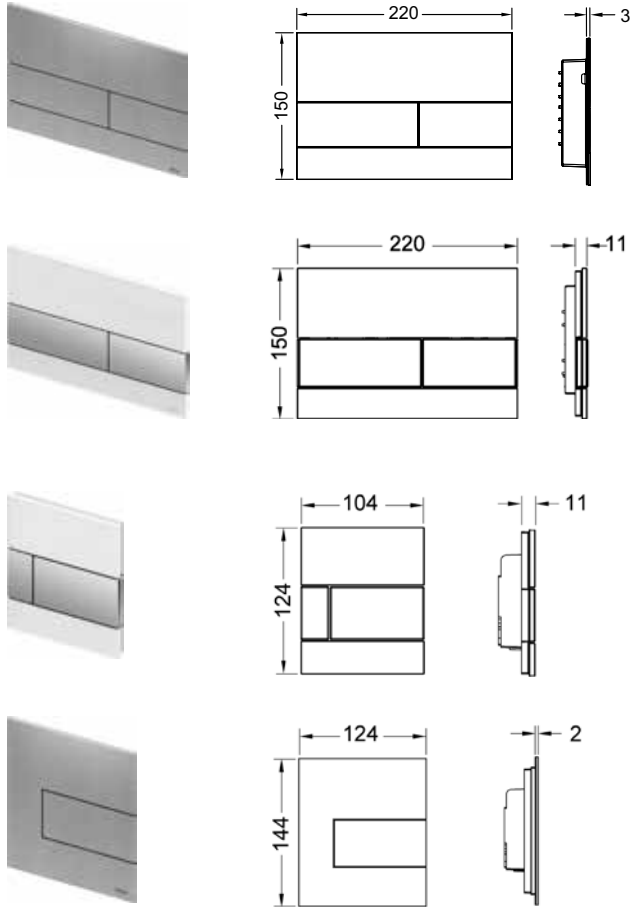


Mount the glass cover of the TECElux Mini electronics.

# TECE flush plates – TECESquare

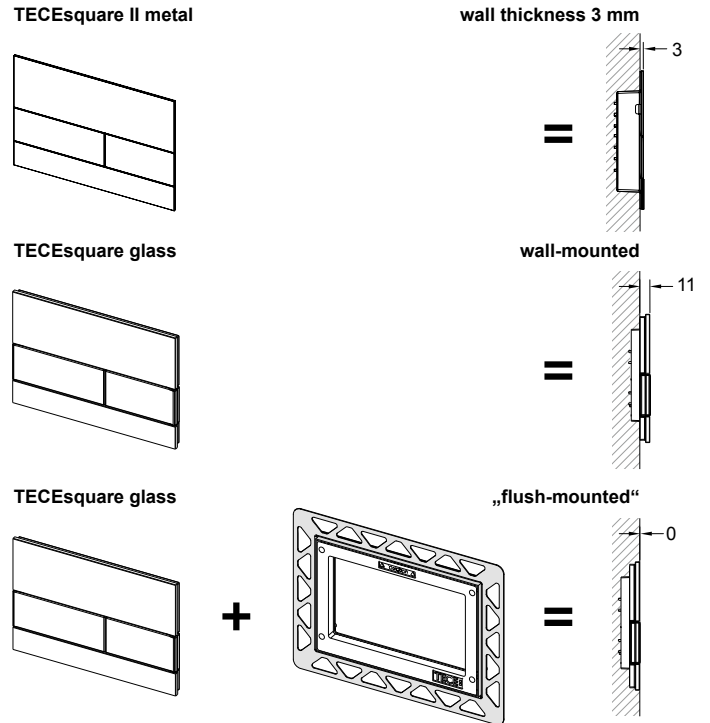
## TECESquare

The TECESquare flush plate is available both for toilets and urinals with a glass or metal cover:



TECESquare II toilet flush plate, metal  
 TECESquare toilet flush plate, glass  
 TECESquare urinal flush plate, glass  
 TECESquare urinal flush plate, metal

Similarly to the TECEloop flush plate, the glass version can be wall-mounted in front of the tiled section or flush-mounted with the toilet installation frame.

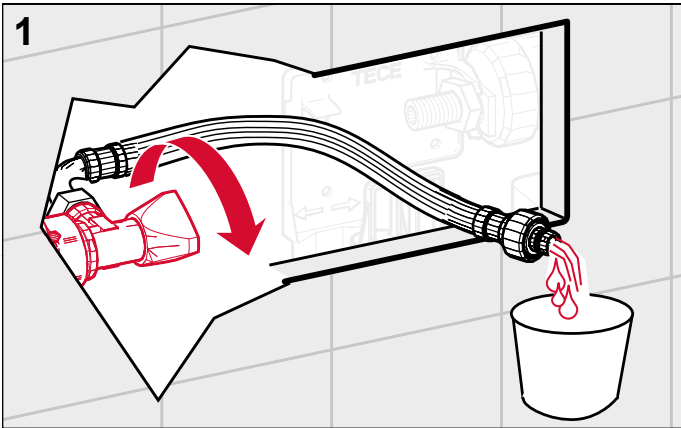


Installing the TECESquare flush plate (applies both to toilet and urinal flush plates)

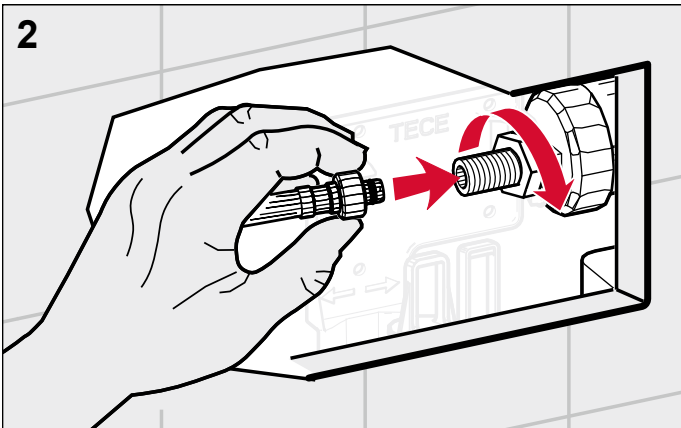


## Installing the TECESquare II metal toilet flush plate

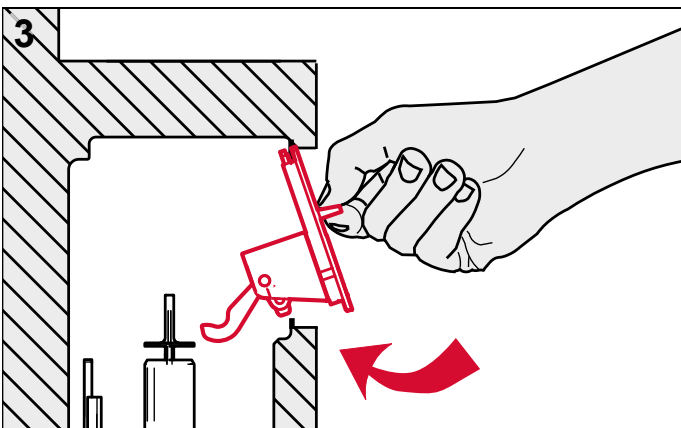
The TECESquare II is an extra-flat metal flush plate with two spring-mounted actuation rocker buttons. The product comes with the toilet installation frame already integrated. The first four steps for installing the manual toilet flush plate are the same for all TECE flush plates:



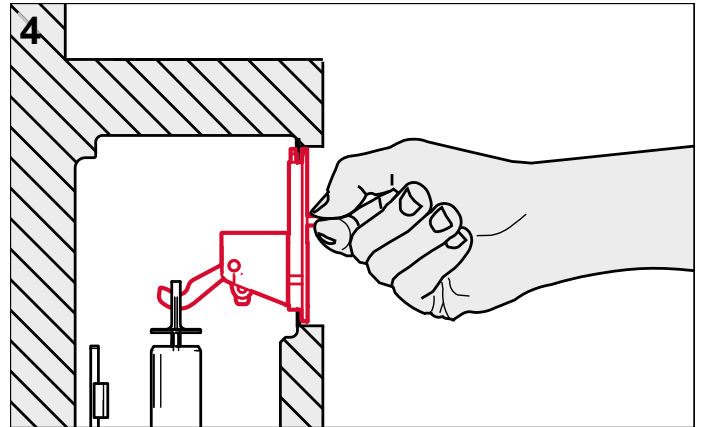
Open the corner valve and sufficiently flush out the pipe.



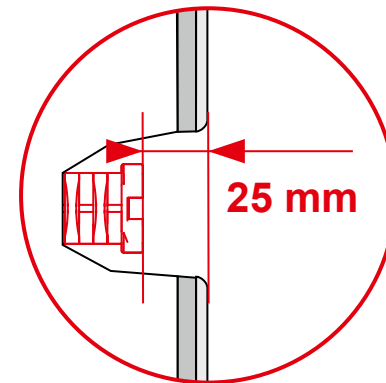
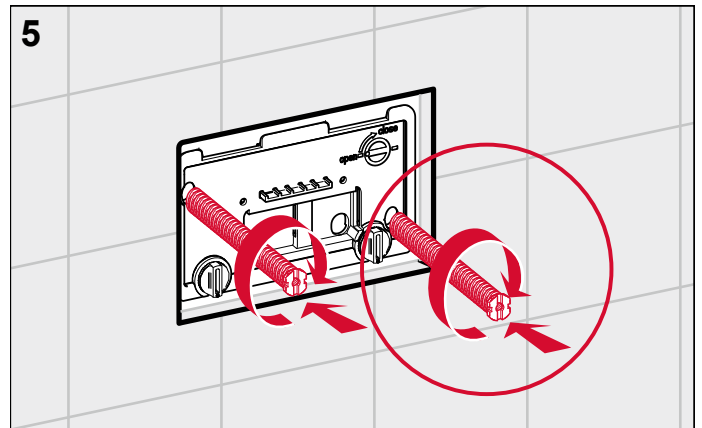
Turn the corner valve to close it again and connect the reinforced hose to the filling valve. If you wish to fill the cistern with water (e.g. for the initial operation), you must open the corner valve again.



Put the splash guard back on.

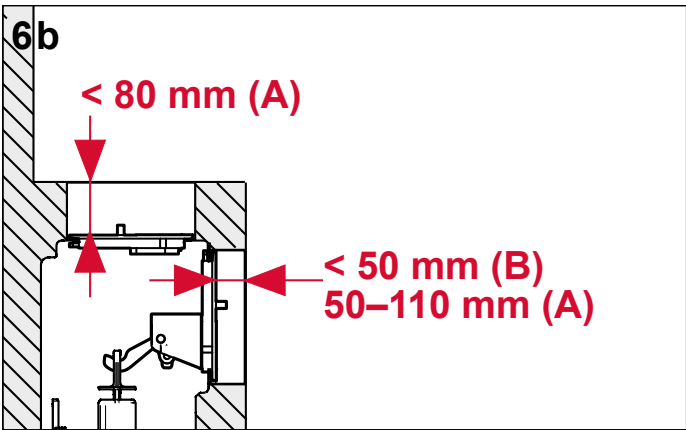
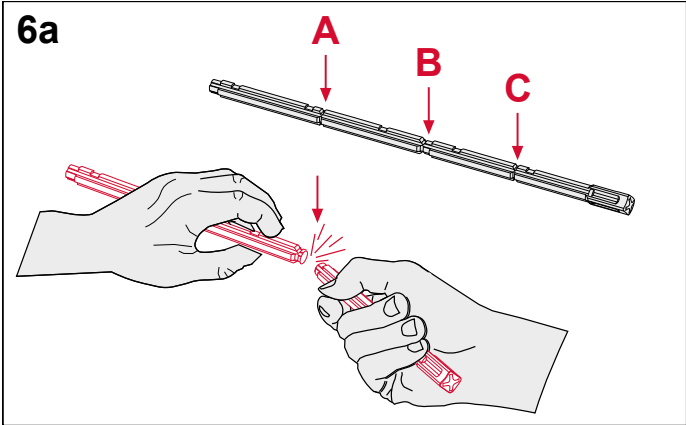


The activation hooks must fit correctly in the drain valve's drawbar eyelets. Tighten the splash guard clamping screws.

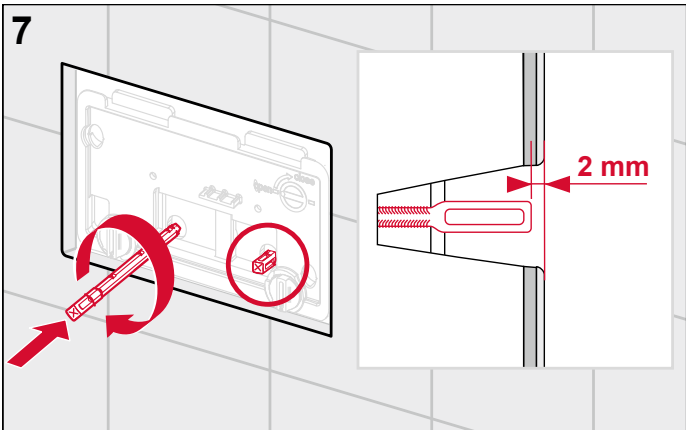


Screw in both attachment rods – distance of attachment rods to wall surface = 25 mm.

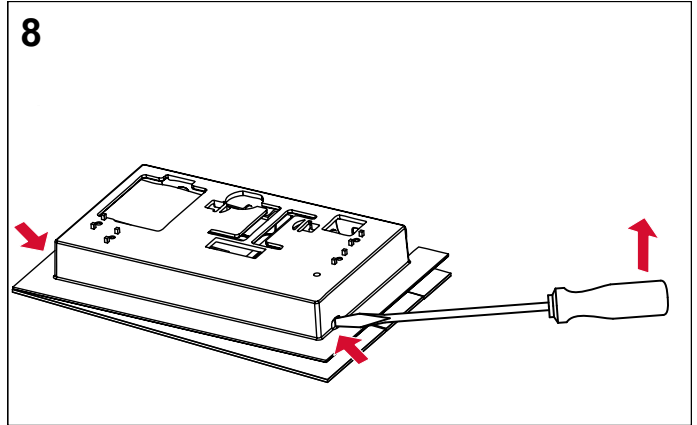
# TECE flush plates – TECEsquare



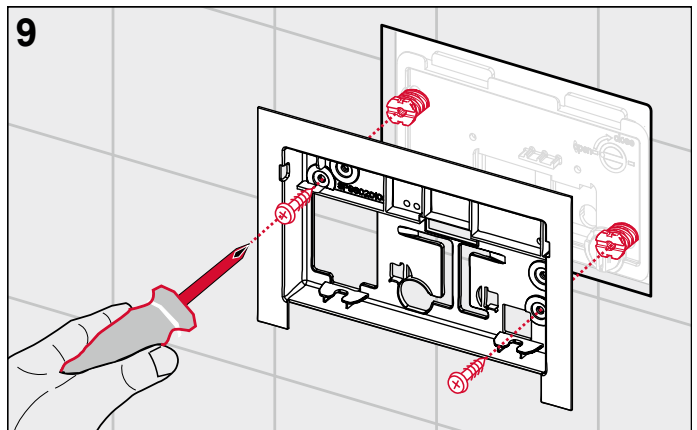
Break off the actuating rods according to the wall structure.



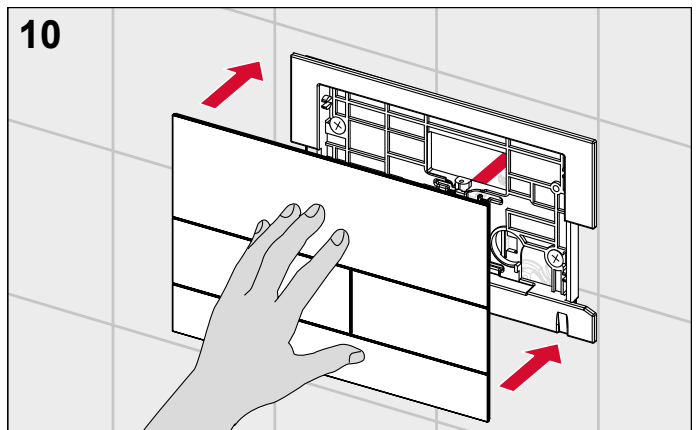
Screw in both actuating rods – distance of actuating rods to wall surface = 2 mm.



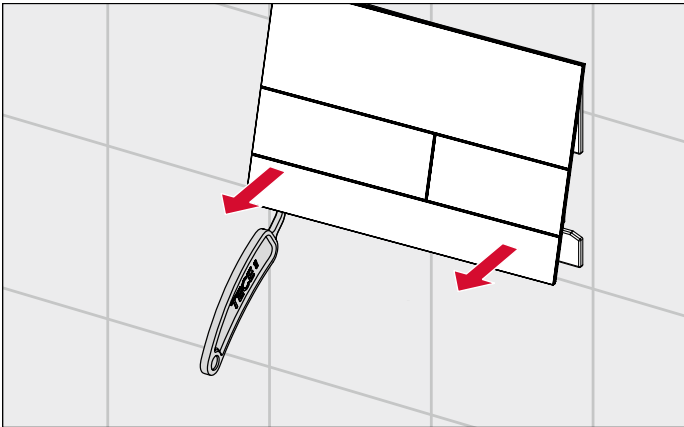
Remove the cover from the flush plate using a screwdriver. Place the screwdriver into the recesses on the underside of the flush plate and carefully remove the cover.



Screw the support frame onto the attachment rods.



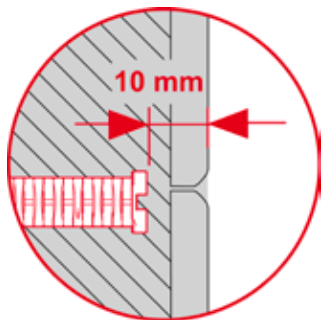
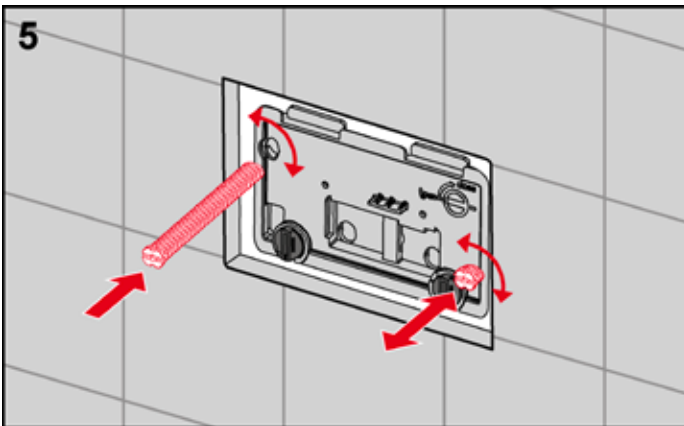
Allow the TECEsquare II flush plate cover to click into place in the support frame.



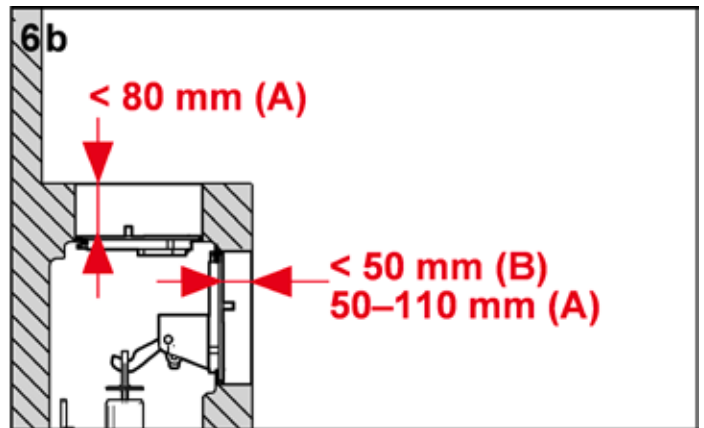
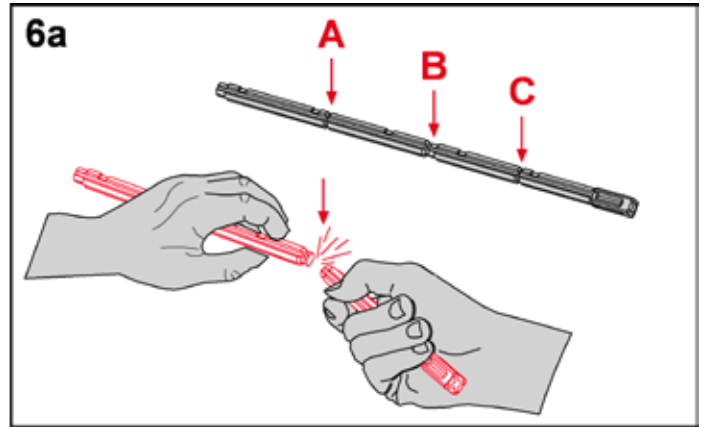
The installed cover can be detached from the flush plate using the disassembly tool. To do this, insert the tool into the recesses on the underside of the flush plate and carefully remove the cover.

### Wall-mounted installation of the glass toilet flush plate

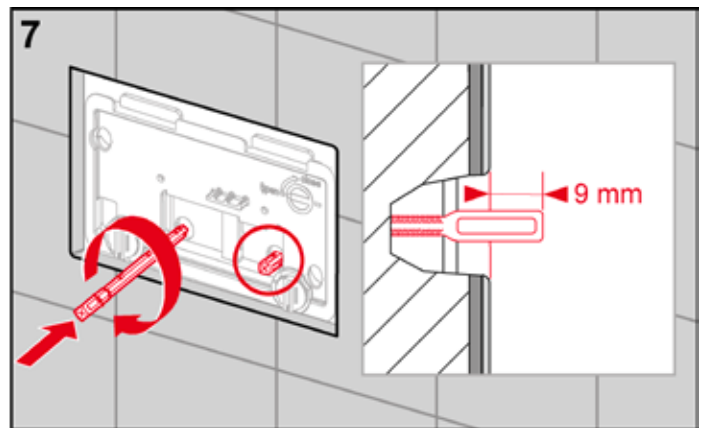
The first four steps for installing the toilet flush plate are the same for all manual TECE flush plates (see the section entitled “Installing the TECESquare II toilet flush plate” for more information).



Screw in both attachment rods – distance of the rods to wall surface = 10 mm.

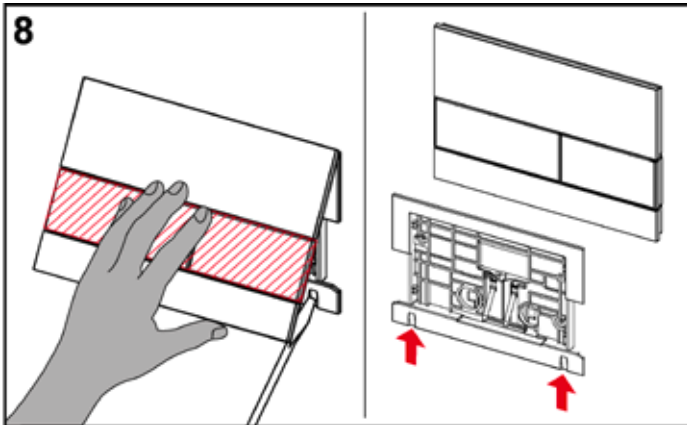


Break off the actuating rods according to the wall structure.

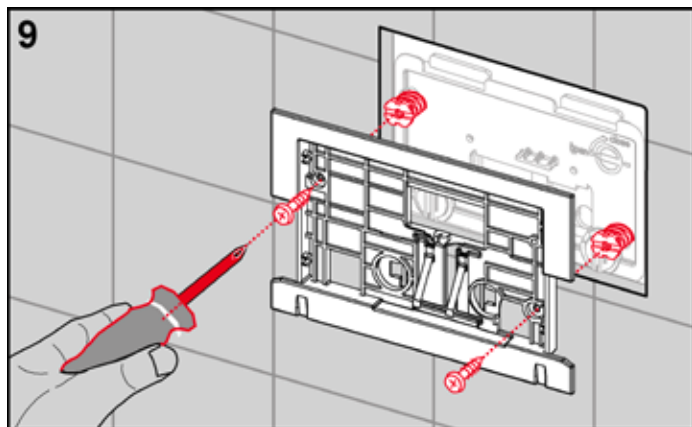
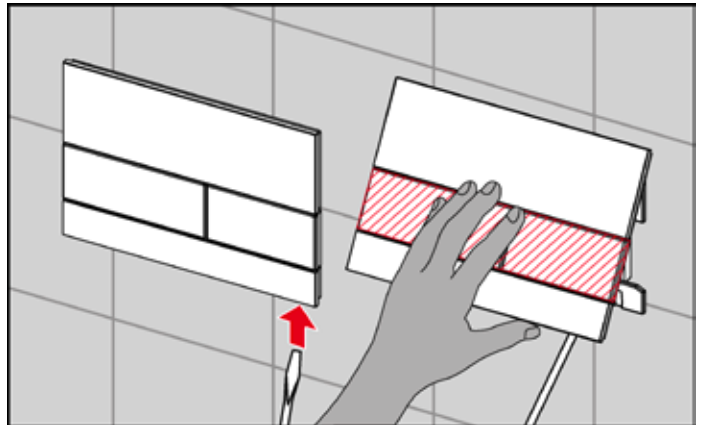


Screw in both actuating rods – distance of actuating rods to wall surface = 9 mm.

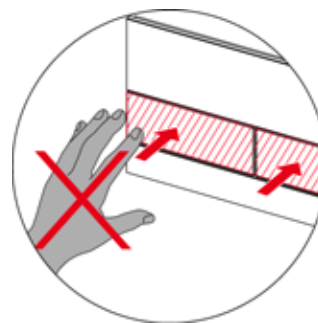
## TECE flush plates – TECESquare



Remove the cover from the flush plate using a screwdriver. Place the screwdriver into the recesses on the underside of the flush plate and carefully remove the cover.



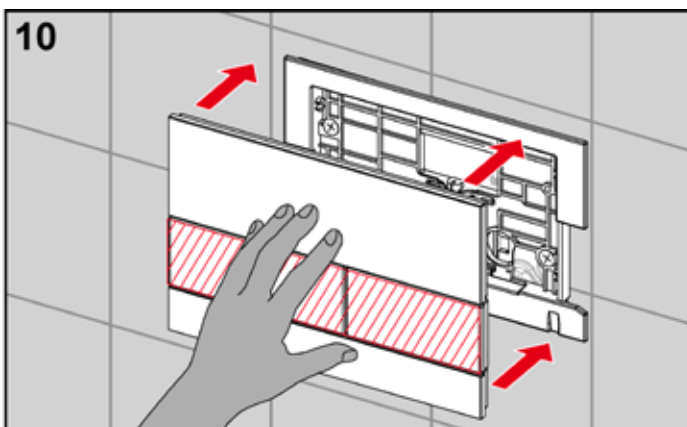
Screw the support frame onto the attachment rods.



The installed cover can be detached from the flush plate using a screwdriver. To do this, insert the tool into the recesses on the underside of the flush plate and carefully remove it.

**Please note:**

During installation, only apply force to the glass surface, not to the buttons.

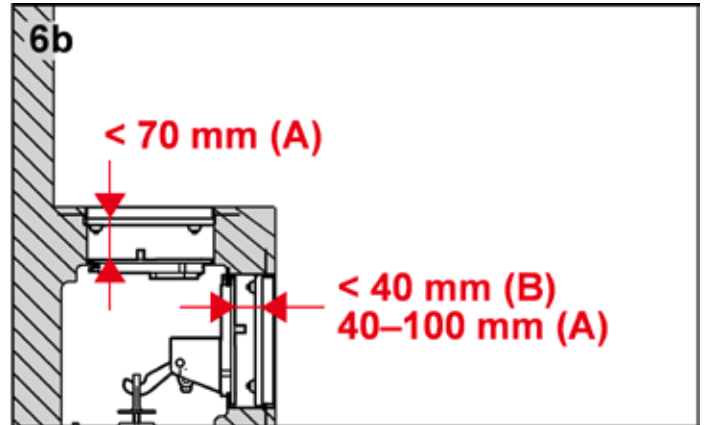


Allow the TECESquare flush plate cover to click into place in the support frame.

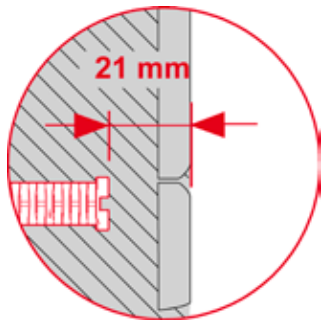
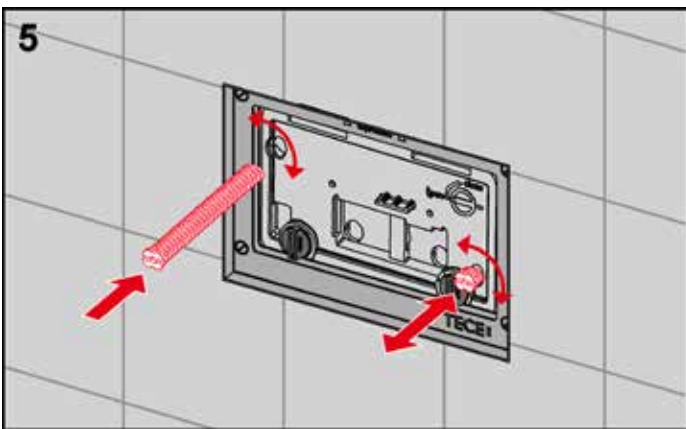
## Flush-mounted installation of the glass toilet flush plate

An installation frame is necessary for the flush-mounted installation of the TECEsquare glass flush plate. The installation frame should already have been installed before carrying out the detailed installation (see the section entitled “Flush-mounted installation” for more information).

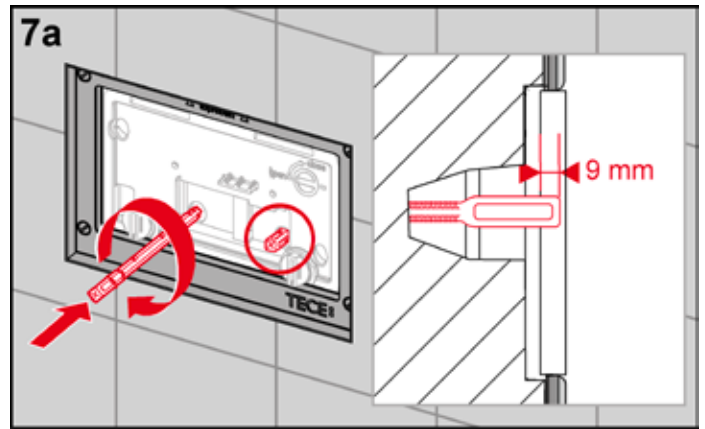
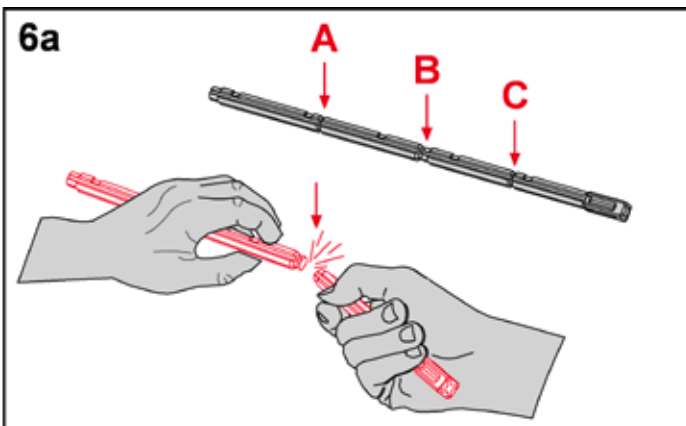
As with all manual TECE flush plates, the first four steps for installing the toilet flush plate are the same (see the section entitled “Installing the TECEsquare II metal toilet flush plate” for more information).



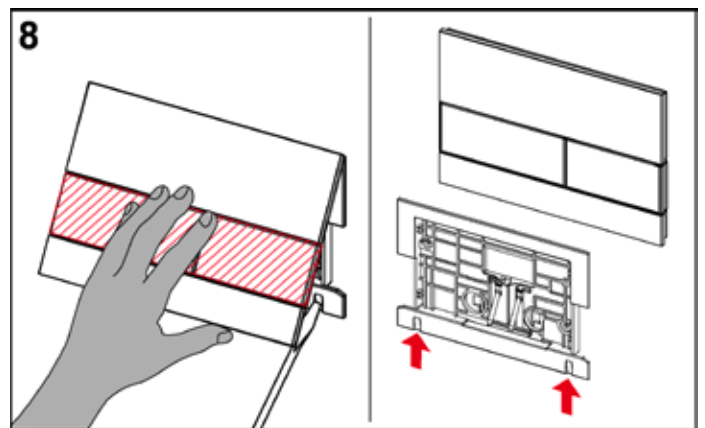
Break off the actuating rods according to the wall structure.



Screw in both attachment rods – distance of attachment rods to wall surface = 21 mm.

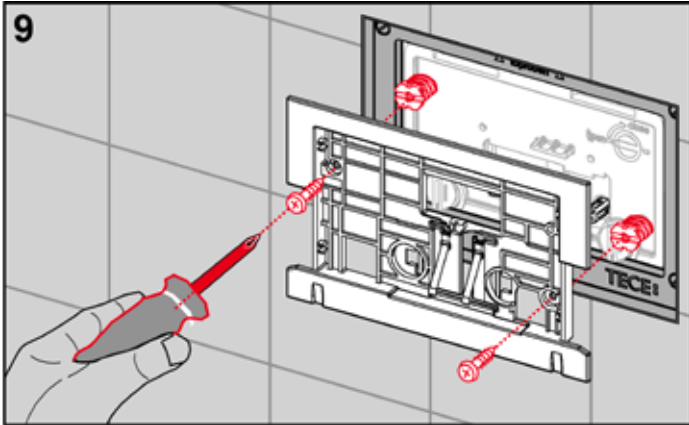


Screw in the actuating rods – distance of actuating rods to front edge of inside frame = 9 mm.

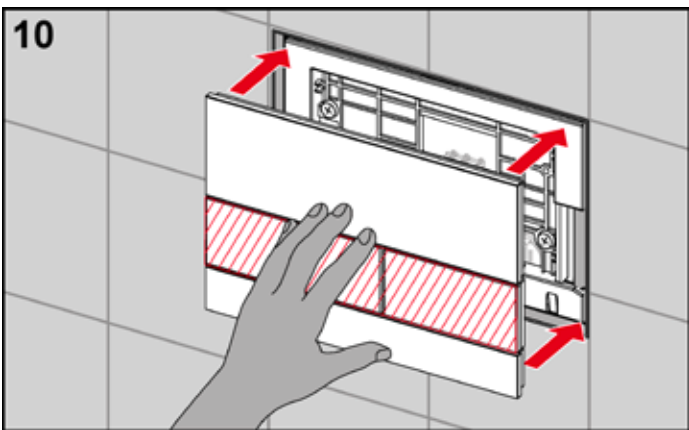


Remove the cover from the flush plate using a screwdriver. Place the screwdriver into the recesses on the underside of the flush plate and carefully remove the cover.

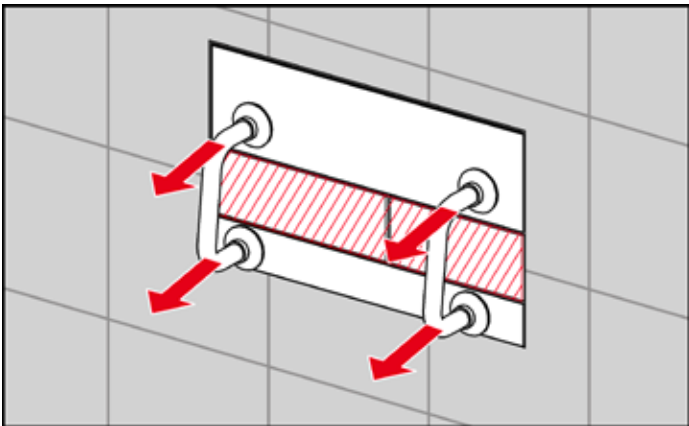
# TECE flush plates – TECESquare



Screw the support frame onto the attachment rods.



Allow the TECESquare flush plate cover to click into place in the support frame.



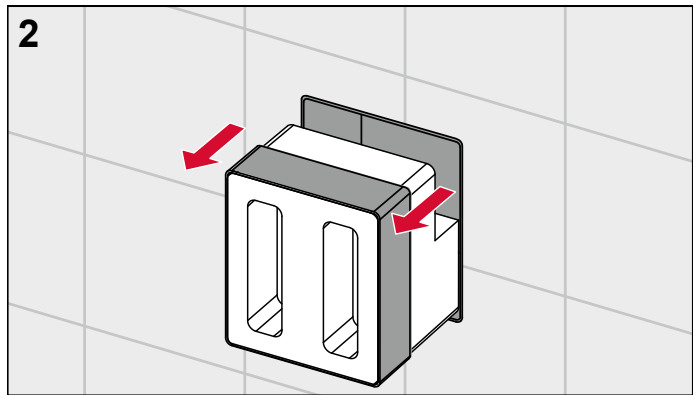
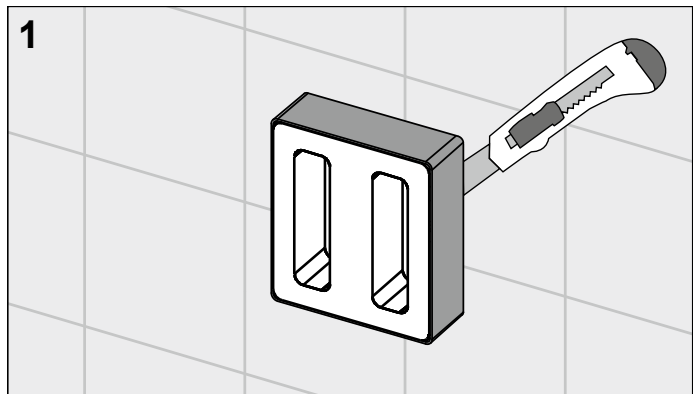
The installed cover can be removed from the flush plate using the bow-type handles included in the installation frame's scope of supply.

**Please note:**

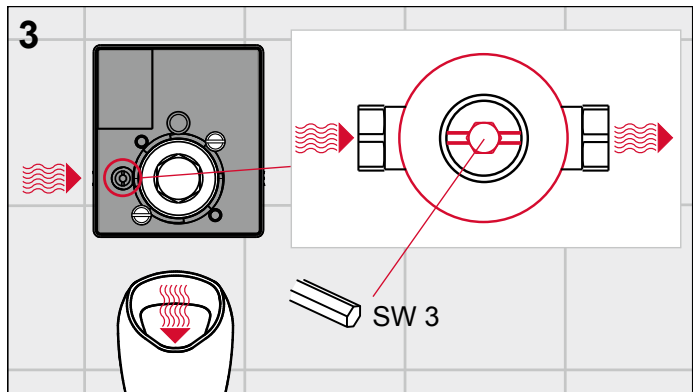
Position the suction cups on the glass surface only – not on the buttons – of the cover to be removed. During installation, only apply force to the glass surface, not to the buttons.

## Wall-mounted installation of the glass urinal flush plate

The first seven steps of the procedure for installing the glass urinal flush plate for the U 1 urinal flusher are the same for all TECE (wall-mounted) urinal flush plates.



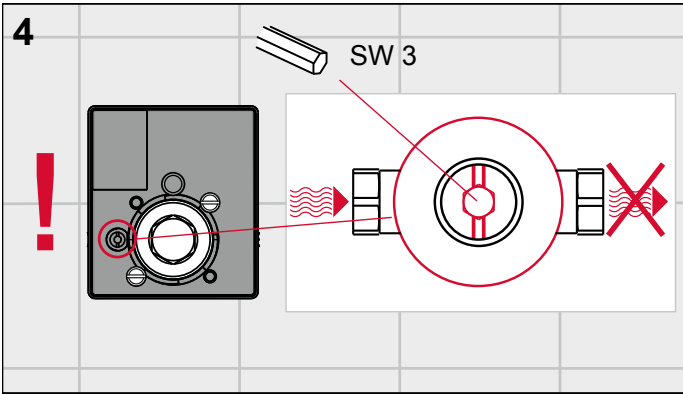
Cut the bare-wall protection flush against the wall, and remove it together with the polystyrene support.



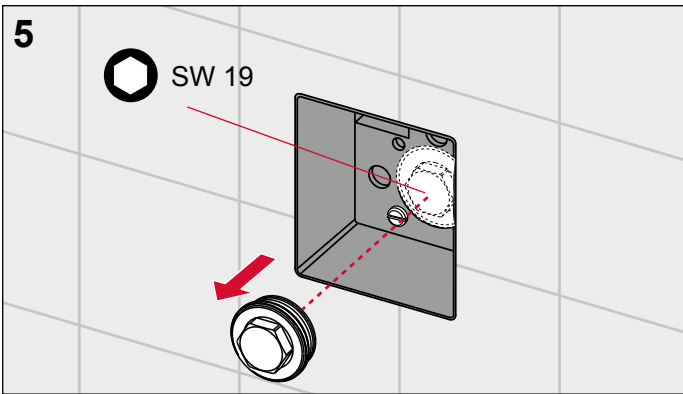
Sufficiently flush out the pipe.

**Observe the following:**

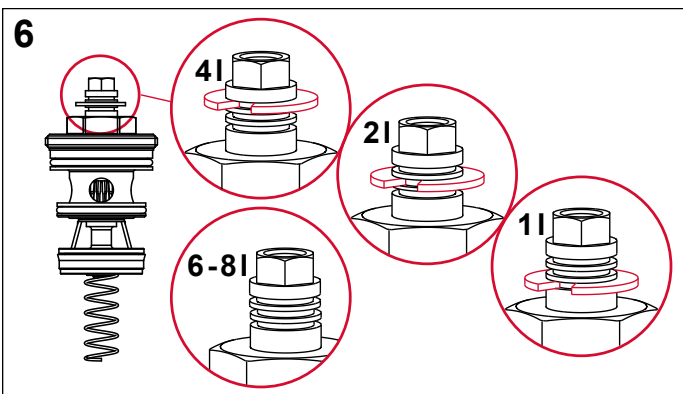
When performing the pressure test, the inlet flow control of the flush valve must be set to free-flow.



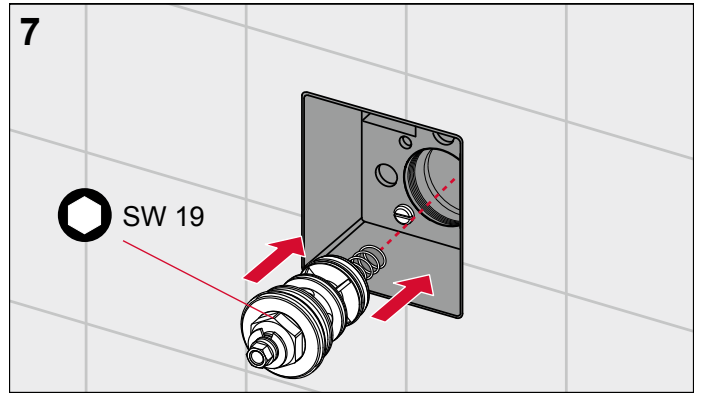
Before mounting the cartridge, ensure that the inlet flow control is closed so that no water can leak out during assembly. Close the shut-off using an Allen key. In the free-flow setting (fig. 3), the shut-off slot is parallel with the housing, and in the closed setting (fig. 4), it is at right angles to the housing.



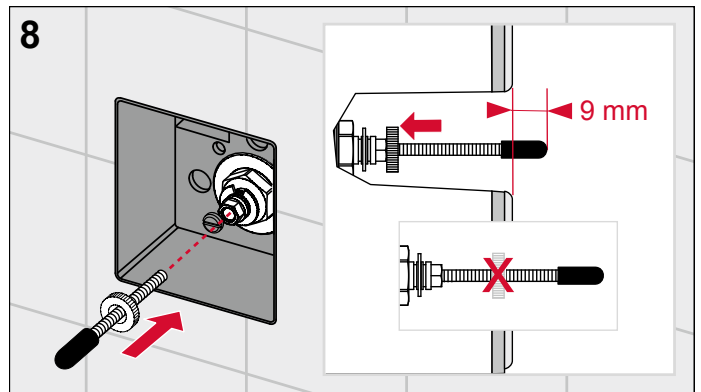
Remove the bare-wall plug.



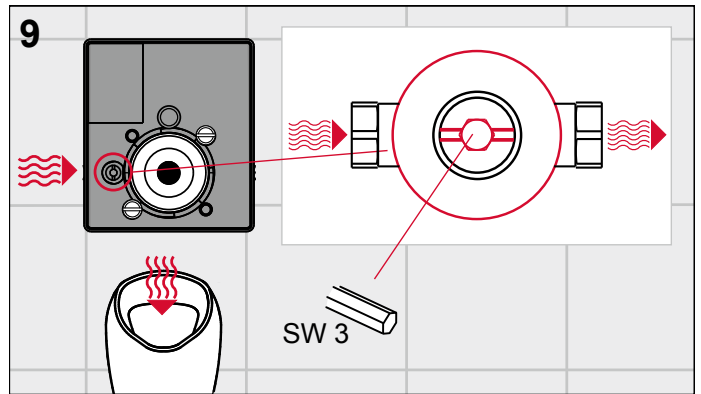
If applicable, set the flush volume before mounting the cartridge (factory setting = 2 litres). To do this, remove the retaining ring and insert it back into the corresponding slot: the first slot corresponds to a flush volume of 1 litre, the second to 2 litres, and the third slot to a flush volume of 4 litres. Without a retaining ring, the flush valve will flush a volume of 6–8 litres.



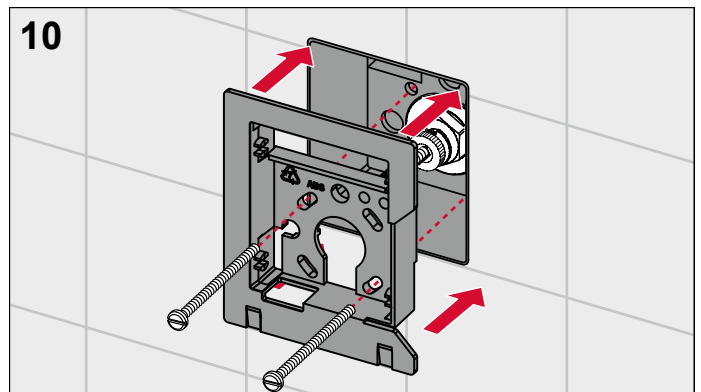
Screw in the mechanical cartridge.



Screw in the actuating rods as described above (for the wall-mounted TECESquare, distance to front edge of inside of installation frame = 9 mm) and screw on the counter nut to prevent them from turning.

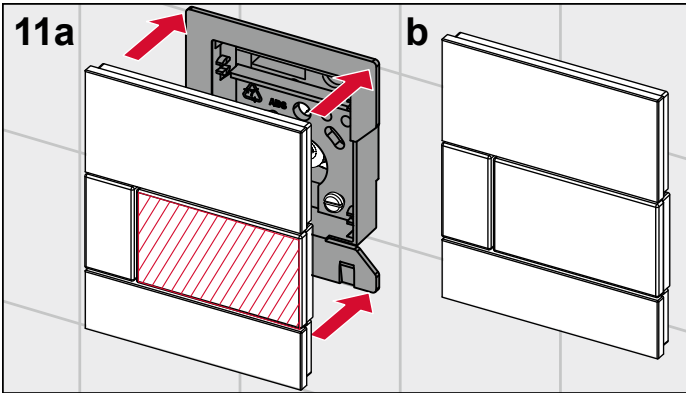


Open the inlet flow control.

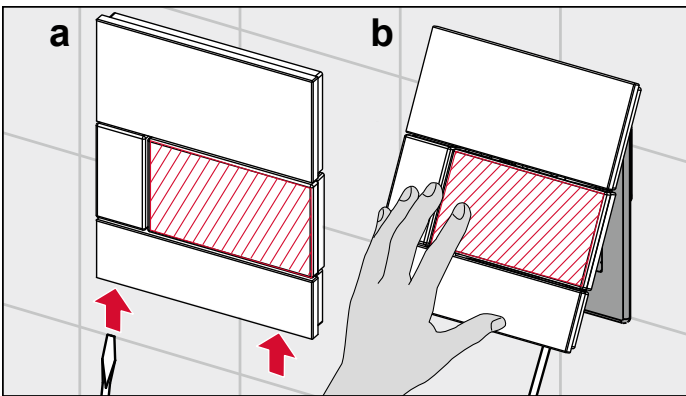
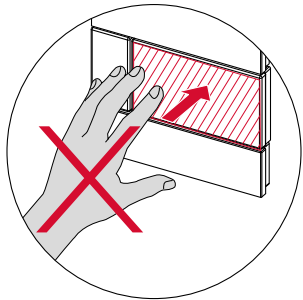


Screw the support frame onto the urinal flush valve housing.

# TECE flush plates – TECESquare



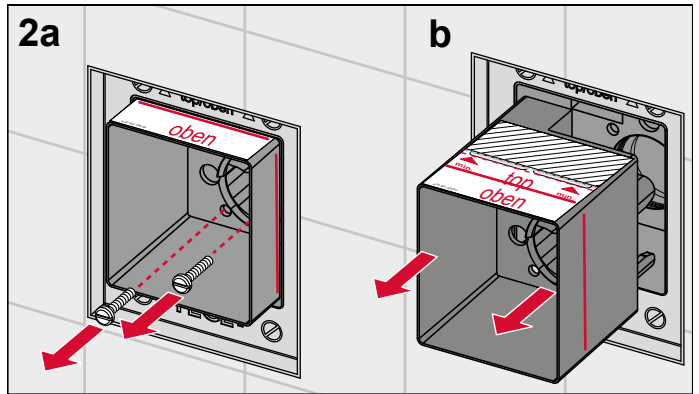
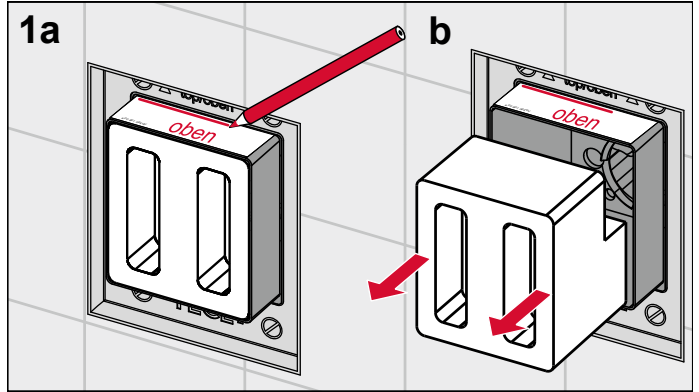
When mounting (above) or dismantling the cover (below), do not press the button:



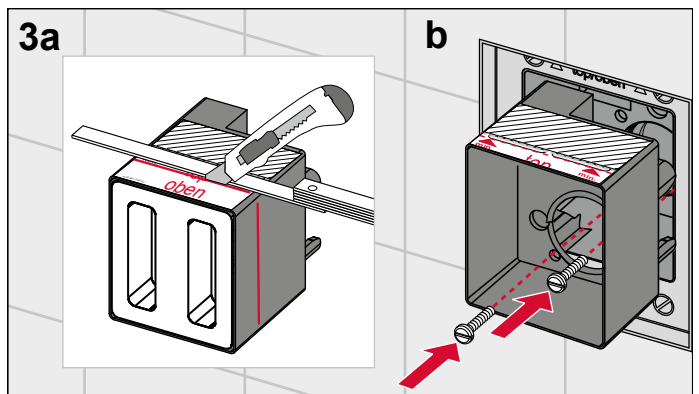
To dismantle the cover, insert a screwdriver into the notches on the underside of the flush plate.

## Flush-mounted installation of the glass urinal flush plate

The first eight steps in the procedure for installing the urinal flush plate for the U 1 urinal flusher are the same for all (flush-mounted) TECE urinal flush plates.

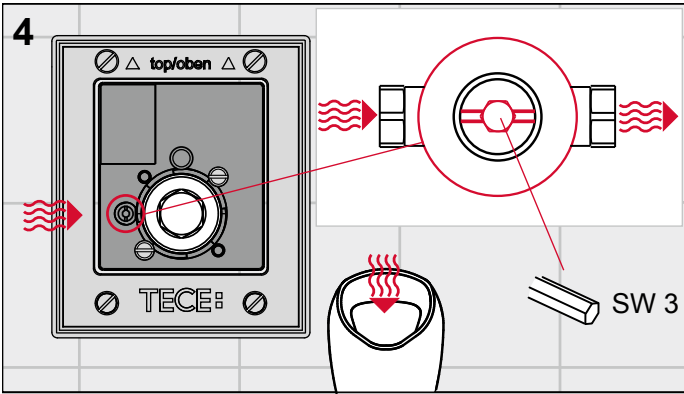


First, mark the bare-wall protection protrusion, and remove the polystyrene support. Loosen the screws and remove the bare-wall protection.



Replace the polystyrene support to provide stability, and cut the bare-wall protection along the marking. Replace the bare-wall protection and screw it onto the flush valve housing.

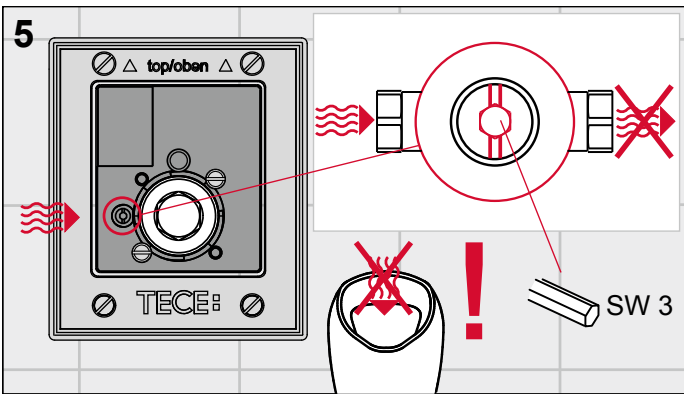




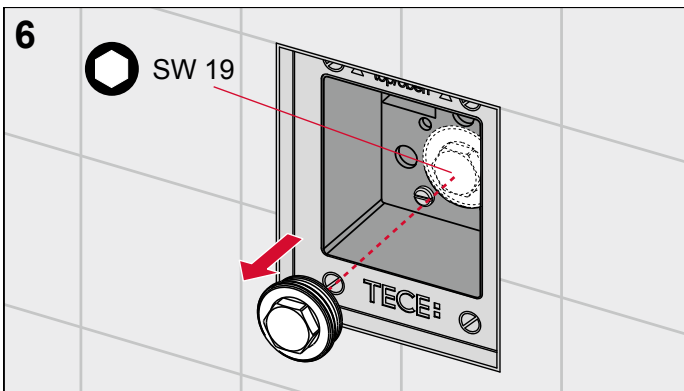
Flush out the pipe.

**Observe the following:**

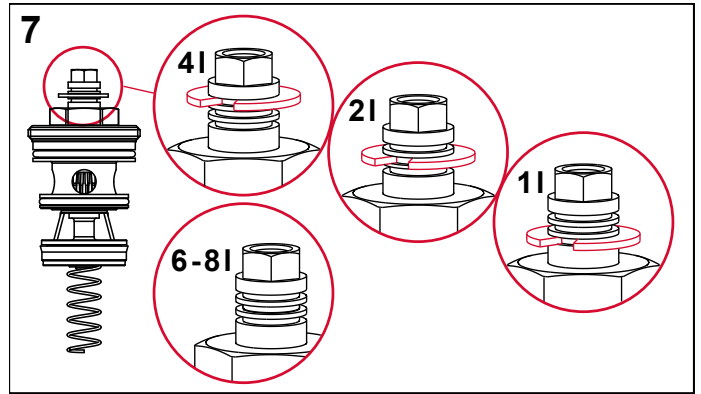
When performing the pressure test, the inlet flow control of the flush valve must be set to free-flow.



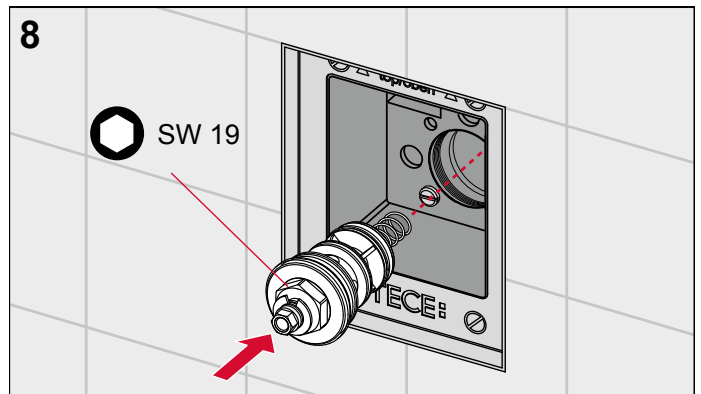
Before mounting the cartridge, ensure that the inlet flow control is closed so that no water can leak out during assembly. Close the shut-off using an Allen key. In the free-flow setting (fig. 4), the shut-off slot is parallel with the housing, and in the closed setting (fig. 5), it is at right angles to the housing.



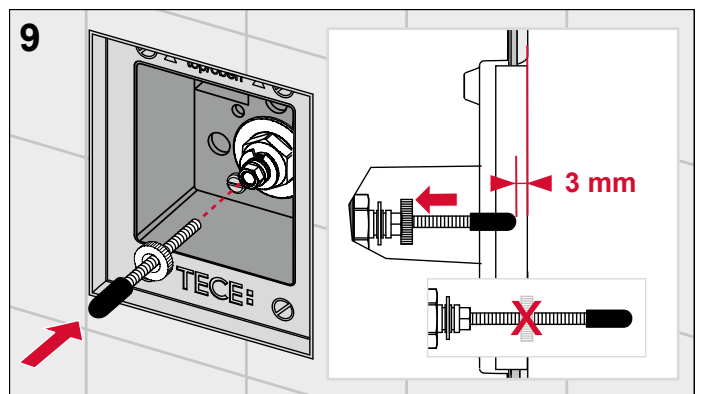
Remove the bare-wall plug.



If applicable, set the flush volume before mounting the cartridge (factory setting = 2 litres). To do this, remove the retaining ring and insert it back into the corresponding slot: the first slot corresponds to a flush volume of 1 litre, the second to 2 litres, and the third to a flush volume of 4 litres. Without a retaining ring, the flush valve will flush a volume of 6–8 litres.

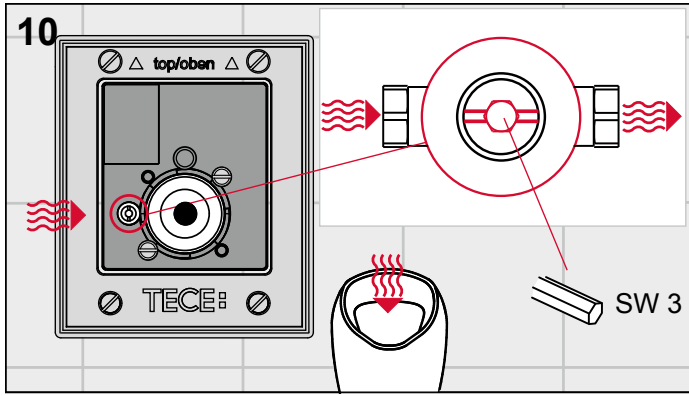


Screw in the mechanical cartridge.



Screw in the actuating rods as described above (for flush-mounted TECEsquare, distance to front edge of inside of installation frame = 3 mm), and screw on the counter nut to prevent them from turning.

# TECE flush plates – TECESquare

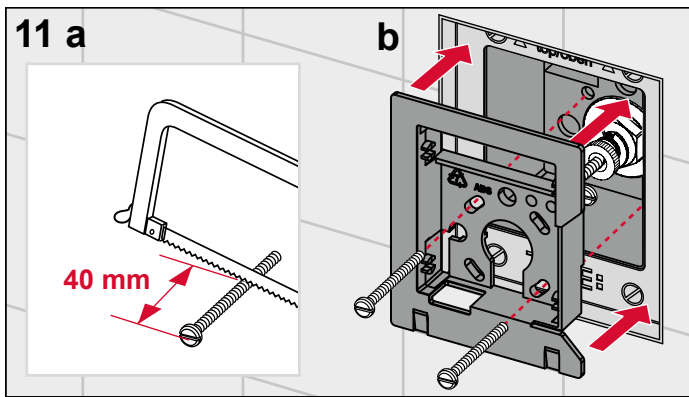


Open the inlet flow control.

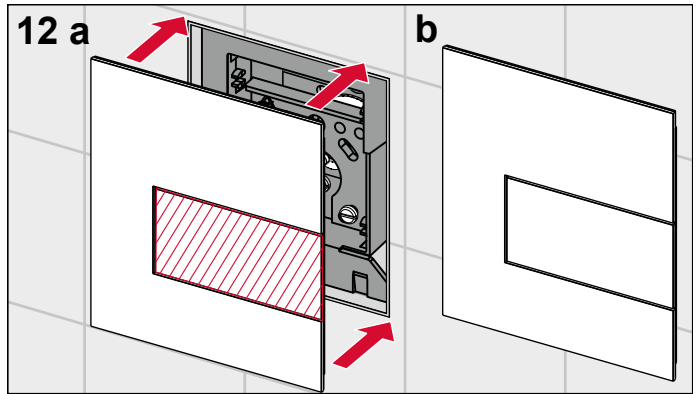
When mounting or dismantling the cover, do not press the button. The installed cover can be removed from the flush plate using the bow-type handles included in the installation frame's scope of supply. Only position the suction cups on the cover to be removed.

## Installing the metal urinal flush plate

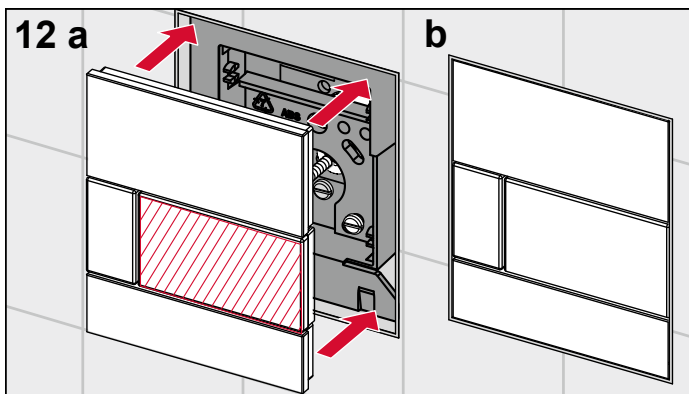
The procedure for the flush-mounted installation of the TECESquare metal urinal flush plate on the U 1 flush valve housing is virtually the same as that for the flush-mounted installation of the TECESquare glass flush plate (see the section entitled "TECESquare – Flush-mounted installation of the glass urinal flush plate").



Screw the support frame onto the urinal flush valve housing. If necessary, shorten the two screws so that they do not knock against the mounting cross beam (minimum length on minimum wall structure = 40 mm).



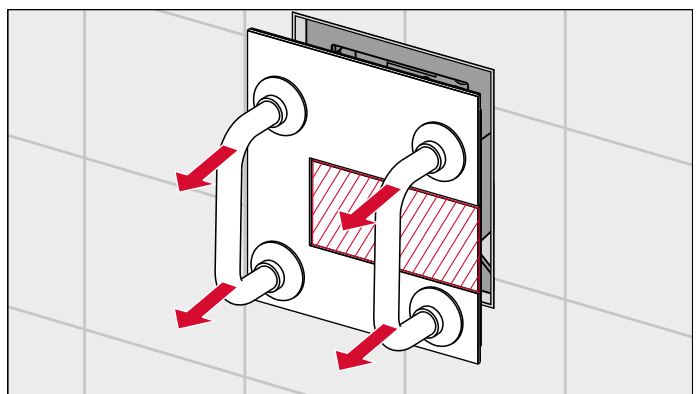
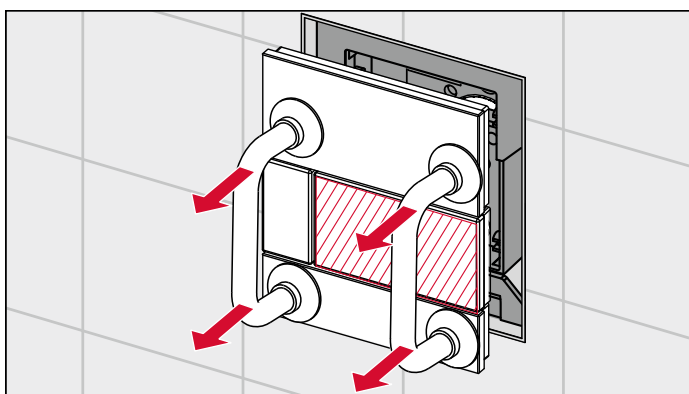
When mounting or dismantling the cover, do not press the



Allow the TECESquare flush plate cover to click into place in the support frame.

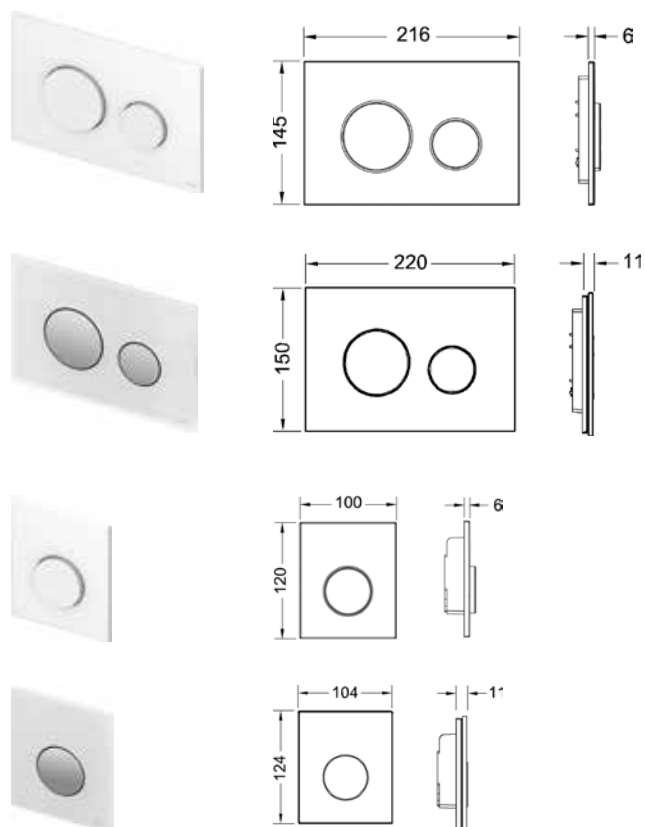


button and the cover should only be removed using the suction handles.



## TECEloop

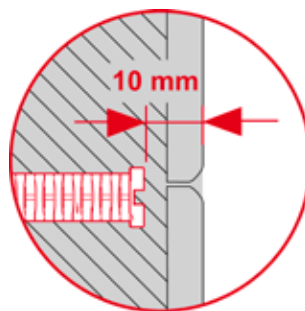
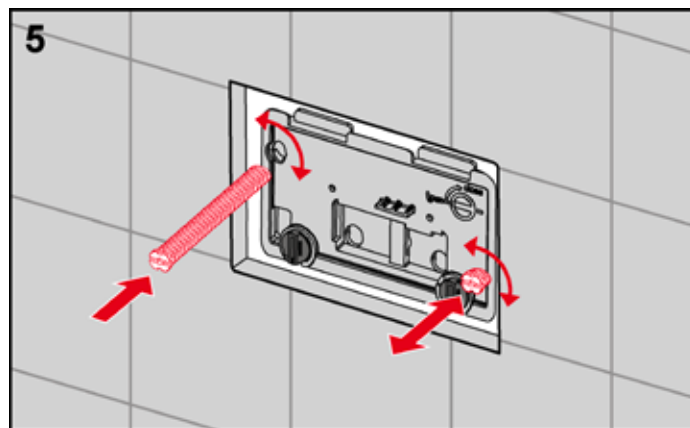
TECEloop flush plates are available in plastic or with a glass surface. The flush-mounted installation option is an outstanding feature of the TECEloop glass flush plate. The TECEloop flush plate is also available for urinals.



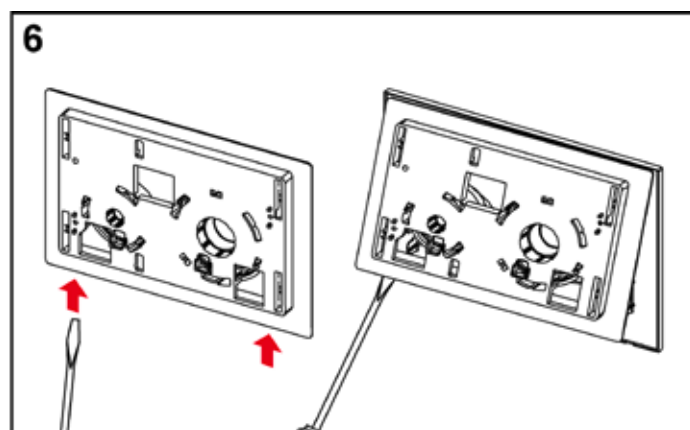
TECEloop toilet flush plate, plastic  
 TECEloop toilet flush plate, glass  
 TECEloop urinal flush plate, plastic  
 TECEloop urinal flush plate, glass

## Wall-mounted installation of the plastic toilet flush plate

As with all TECE flush plates, the first four steps for installing the toilet flush plate are the same (for more information, see the section entitled “TECESquare, Installing the TECESquare II metal toilet flush plate”).

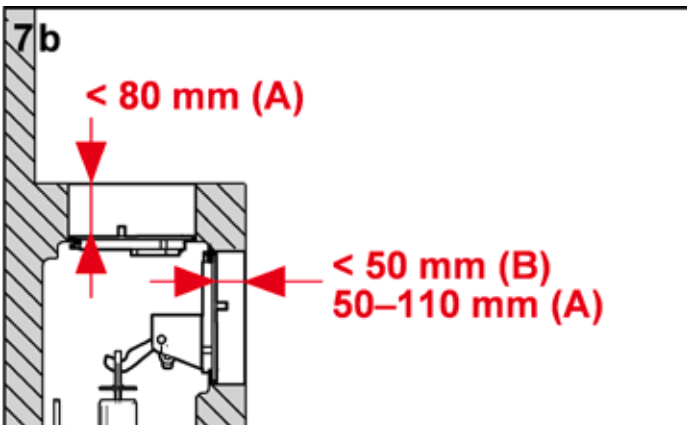
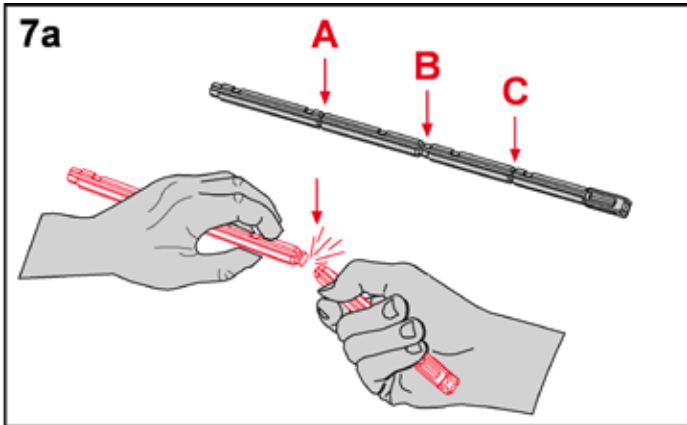


Screw in both attachment rods – distance of attachment rods to wall surface = 10 mm.

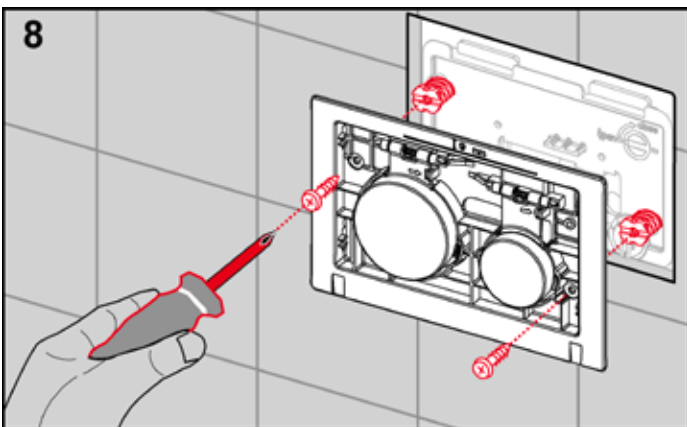


The cover and flush unit are supplied ready-mounted, and must be separated for the installation. Remove the cover from the flush plate using a screwdriver. Place the screwdriver into the recesses on the underside of the flush plate and carefully remove the cover.

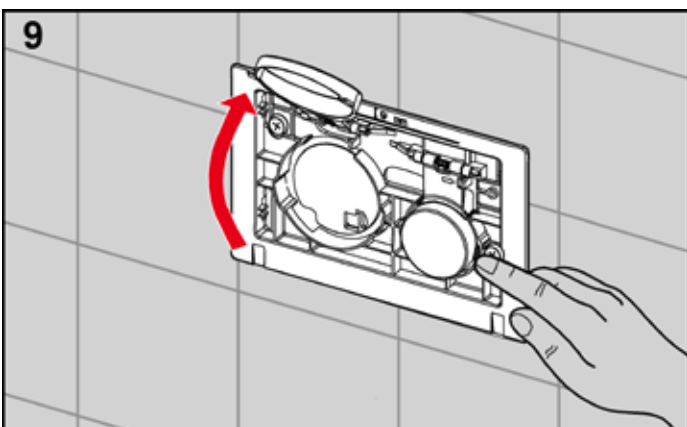
# TECE flush plates – TECEloop



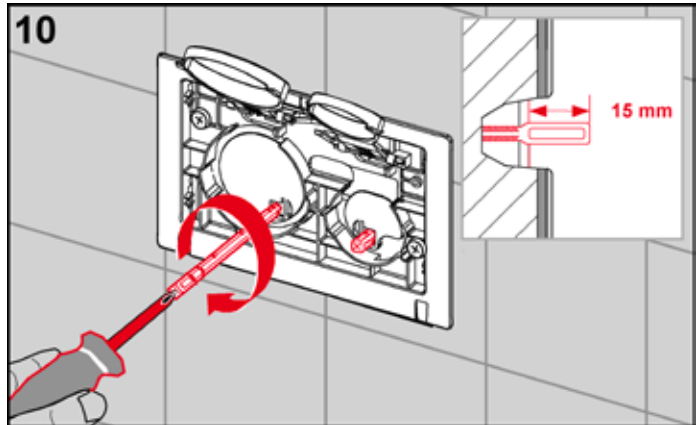
Break off the actuating rods according to the depth of the wall structure.



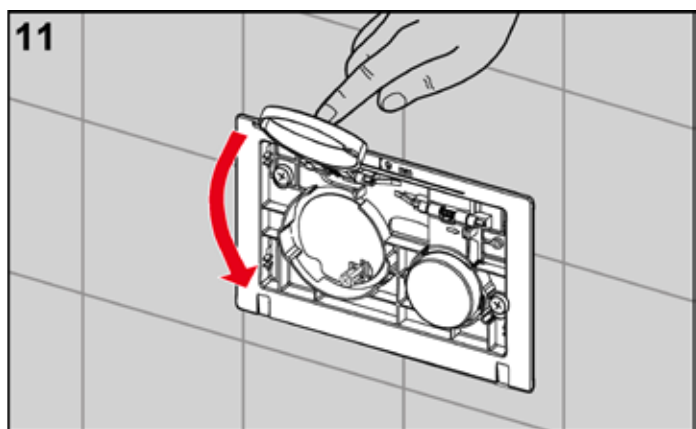
Screw the support frame onto the attachment rods.



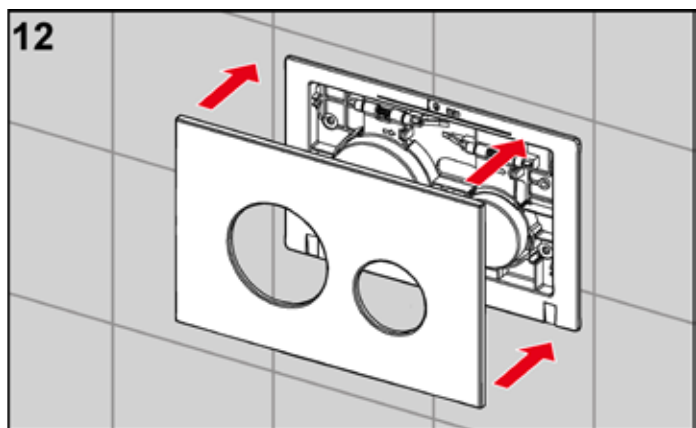
Unlock both buttons from the right and lift up.



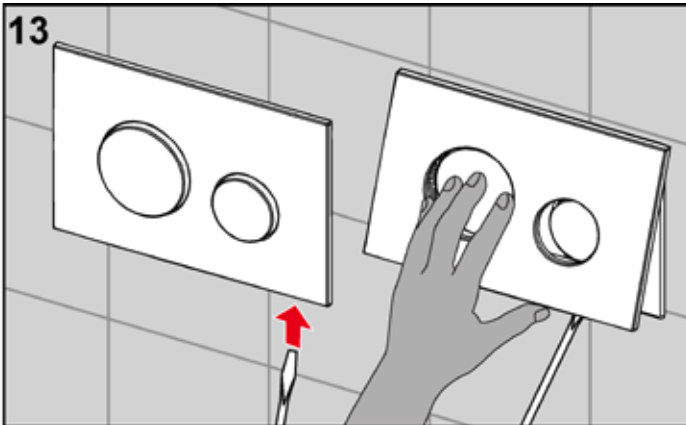
Screw in the actuating rods through the corner supports – distance to front edge of support frame = 15 mm.



Fold down and lock both buttons.



Allow the TECEloop flush plate cover to click into place in the support frame.



The installed cover can be detached from the flush plate using a screwdriver. To do this, insert the tool into the recesses on the underside of the flush plate and carefully remove it.

### TECEloop modular system

The modular system is available for the TECEloop toilet flush plate with glass cover. The glass cover and flush plate must be ordered separately. This ensures a wide range of colour combinations (total of 104 possibilities).

Buttons + cover = toilet flush plate



The concept behind the TECEloop modular system is to enable the flush plate to match the bathroom's existing colour scheme as far as possible. For this reason, some of the glass covers are colour-coordinated with products from Alape, EMCO or Burgbad.

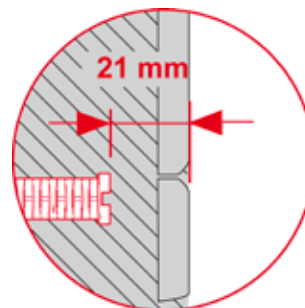
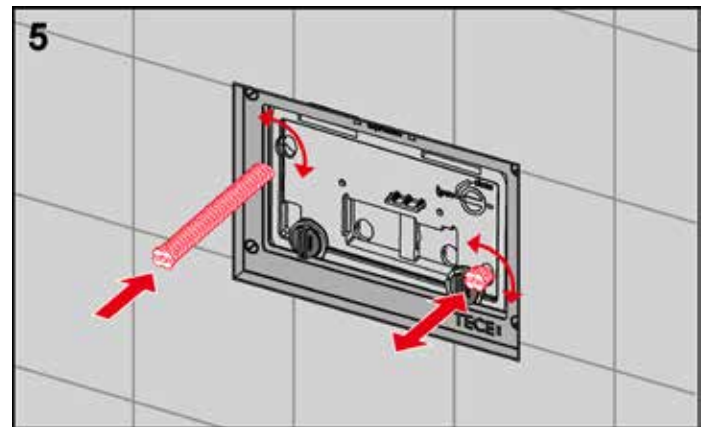
### Wall-mounted installation of the glass toilet flush plate

The wall-mounted installation of the TECEloop flush plate with a plastic or glass cover is virtually the same (see section on "TECESquare, Installing the TECESquare II metal toilet flush plate"). The only difference is that the cover does not need to be dismounted as it is already separated on delivery.

### Flush-mounted installation of the glass toilet flush plate

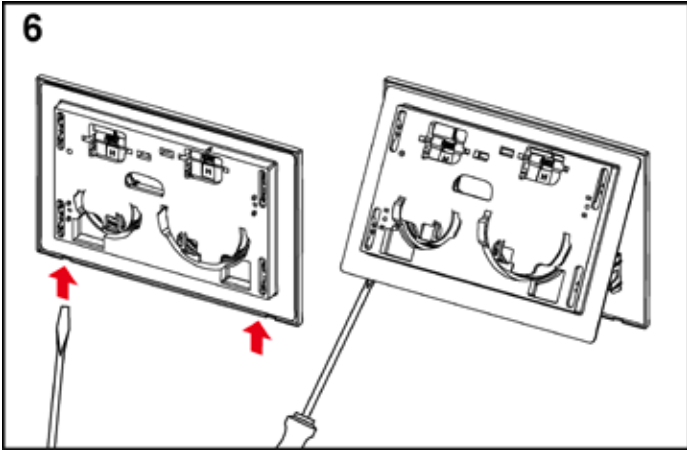
An installation frame is necessary for the flush-mounted installation of the TECEloop glass flush plate. The installation frame should already have been installed before carrying out the detailed installation (see the section entitled "Flush-mounted installation" for more information).

As with all TECE flush plates, the first four steps for installing the toilet flush plate are the same (for more information, see the section entitled "TECESquare, Installing the TECESquare II metal toilet flush plate").

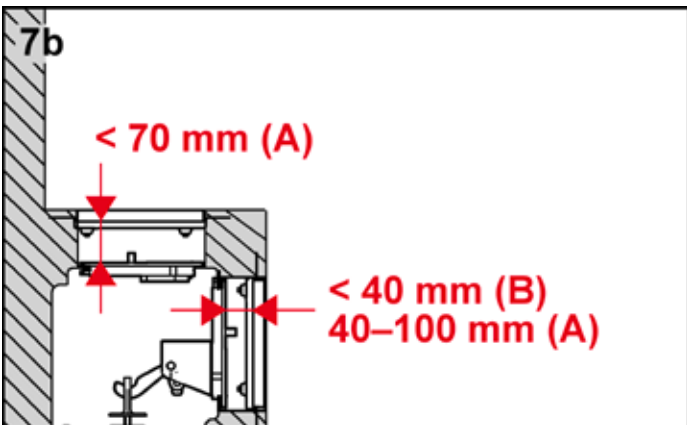
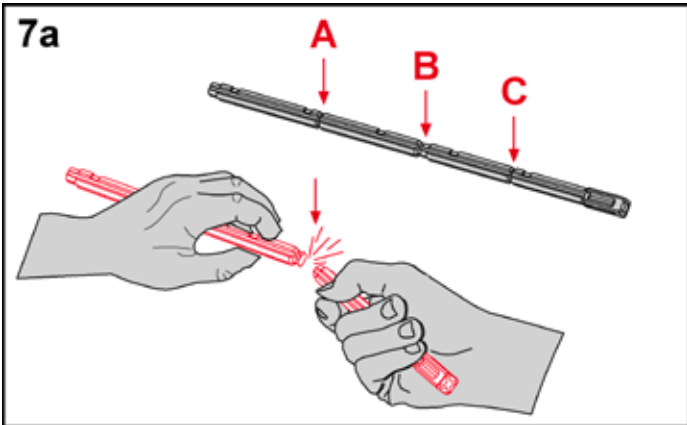


Screw in both attachment rods – distance of attachment rods to wall surface = 21 mm.

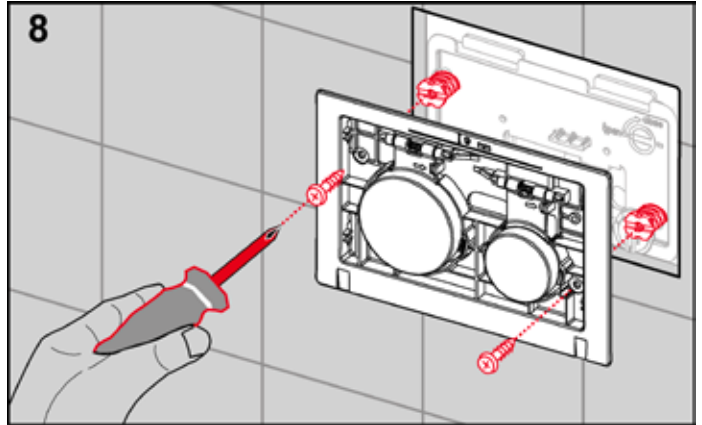
# TECE flush plates – TECEloop



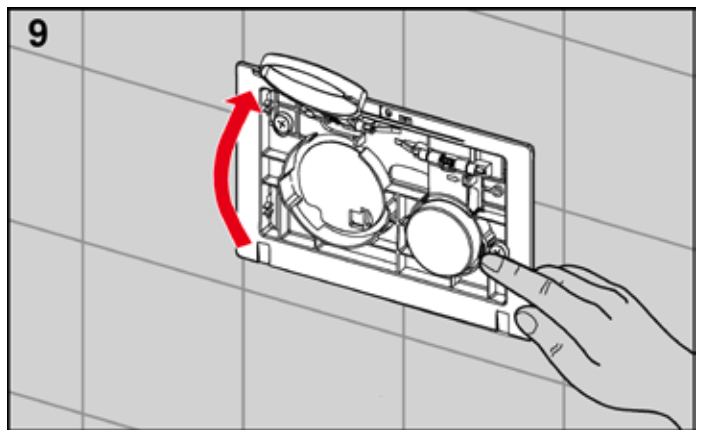
The cover and flush unit are supplied ready-mounted, and must be separated for the installation. Remove the cover from the flush plate using a screwdriver. Place the screwdriver into the recesses on the underside of the flush plate and carefully remove the cover.



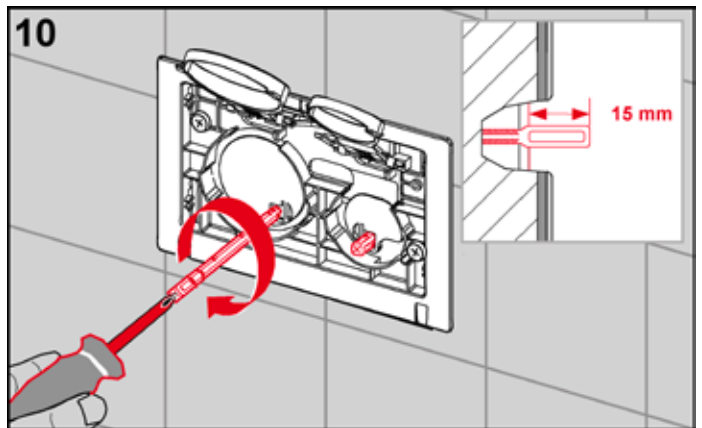
Break off the actuating rods according to the wall structure.



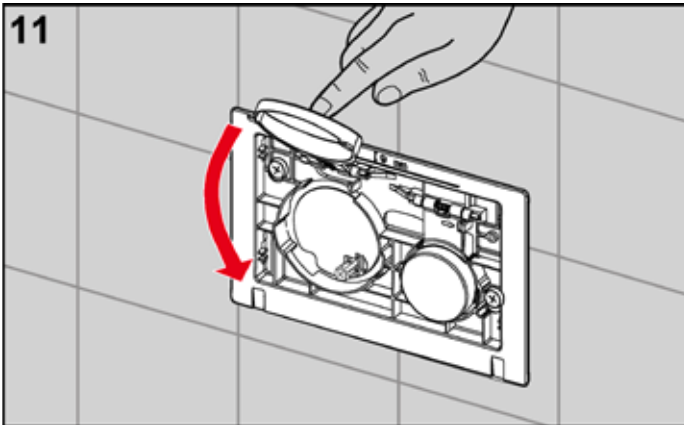
Screw the support frame onto the attachment rods.



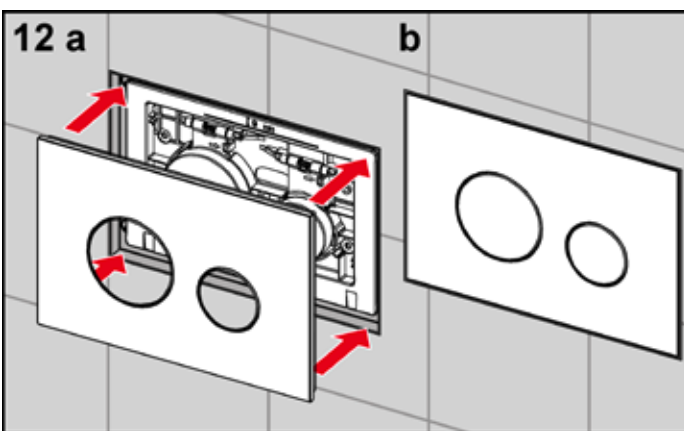
Unlock both buttons from the right and lift up.



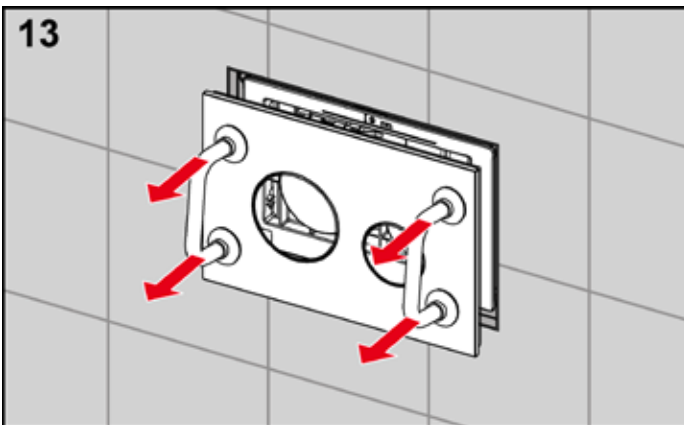
Screw in the actuating rods through the corner supports – distance to front edge of support frame = 15 mm.



Fold down and lock both buttons.



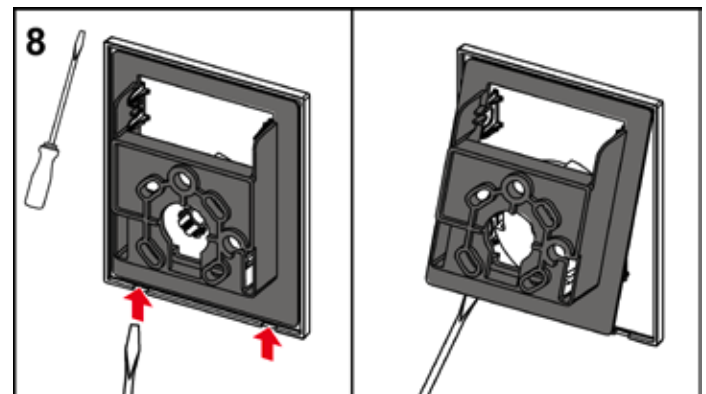
Allow the TECEloop flush plate cover to click into place in the support frame.



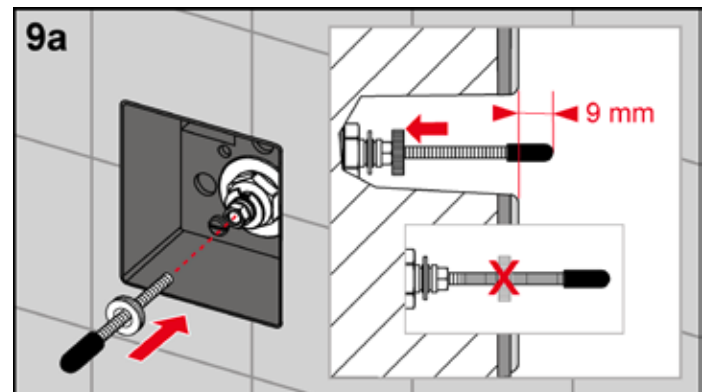
The installed cover can be removed from the flush plate using the bow-type handles included in the installation frame's scope of supply. Only position the suction cups on the cover to be removed.

## Wall-mounted installation of the plastic urinal flush plate

The first seven steps of the procedure for installing the urinal flush plate for the U 1 urinal flusher are the same for all (wall-mounted) TECE flush plates – see “TECESquare – Wall-mounted installation of the glass urinal flush plate” for more information.

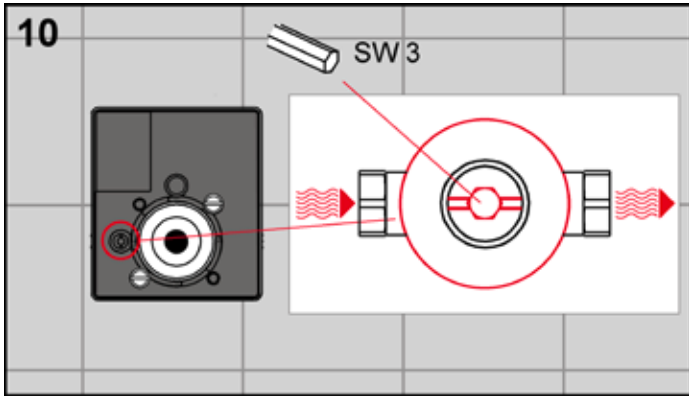


Loosen the support frame from the cover by inserting a screwdriver into the notches on the underside.

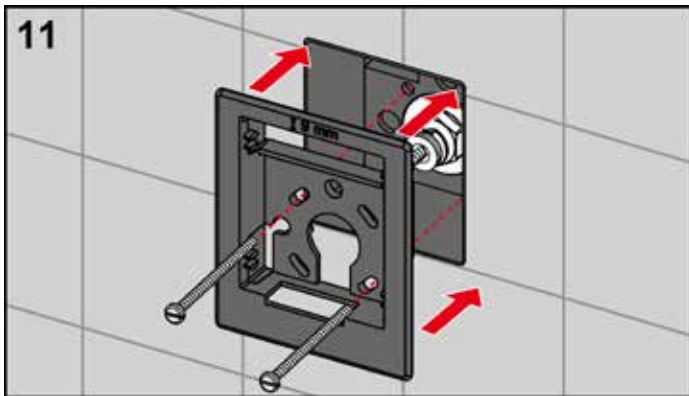
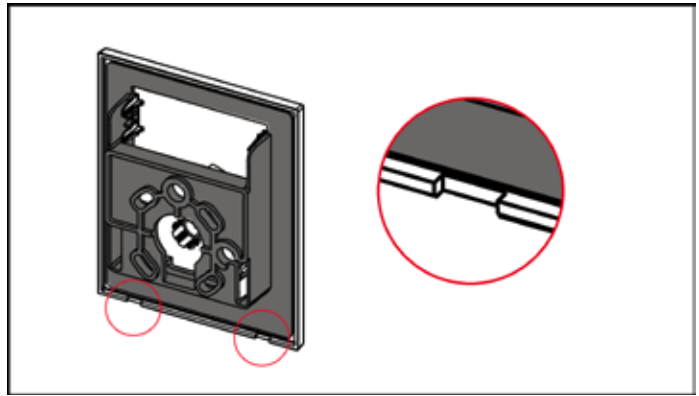


Screw in the actuating rods as described above (for the wall-mounted TECEloop, distance to wall surface = 9 mm) and screw on the counter nut to prevent them from turning. The setting length for the actuating rods is indicated on the top of the support frame. This enables you to set the rods quickly and easily.

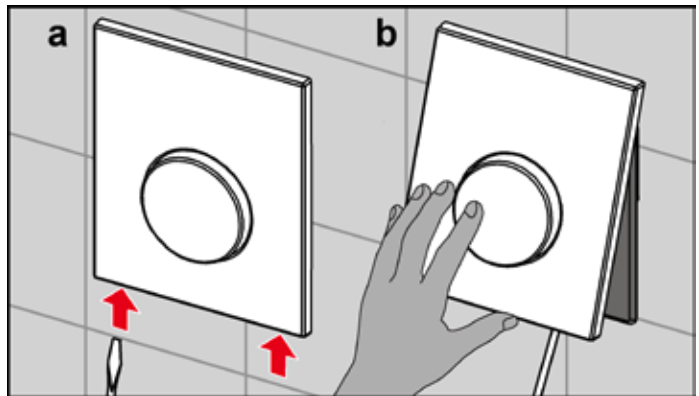
# TECE flush plates – TECEloop



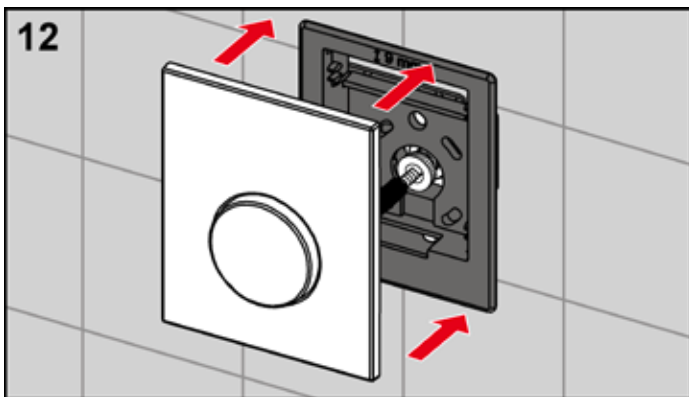
10 Open the inlet flow control.



11 Screw the support frame onto the urinal flush valve housing.



To dismantle the cover, insert a screwdriver into the notches on the underside of the flush plate.



12 Finally, mount the flush plate cover.

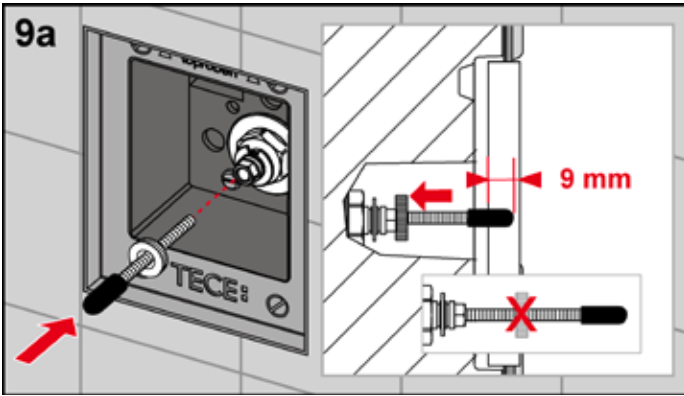
## Wall-mounted installation of the glass urinal flush plate

The procedure for the wall-mounted installation of the TECEloop urinal flush plate with a plastic or glass cover for the U 1 urinal flusher is virtually the same (see the section entitled “TECEsquare – Wall-mounted installation of the glass urinal flush plate” for more information).

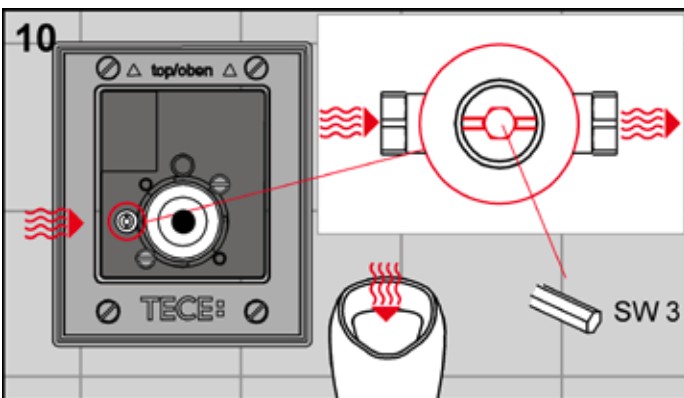


## Flush-mounted installation of the glass urinal flush plate

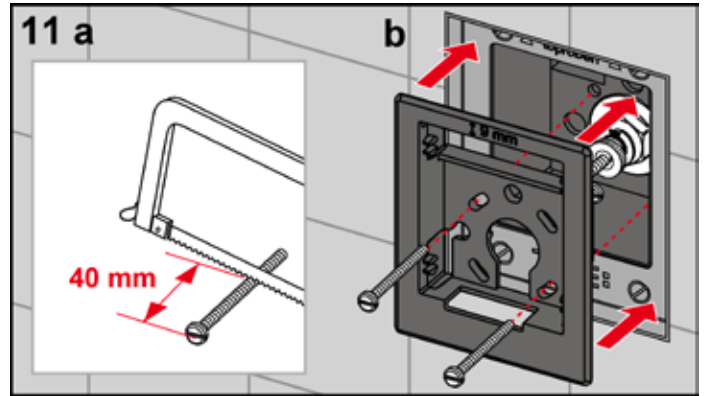
The first eight steps of the procedure for installing the urinal flush plate for the U 1 urinal flusher are the same for all (flush-mounted) TECE flush plates – see “TECEsquare – Flush-mounted installation of the glass urinal flush plate”.



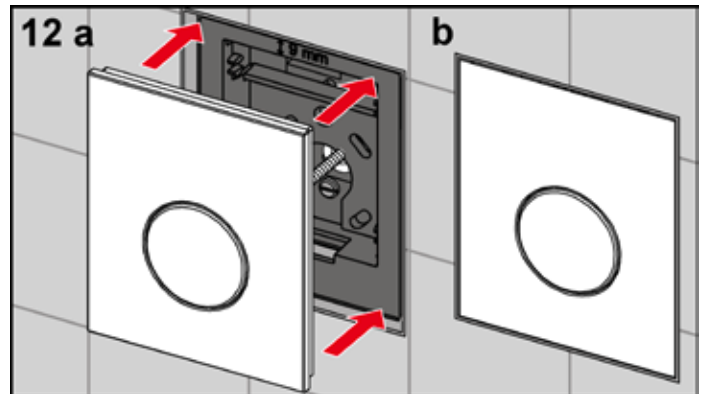
Screw in the actuating rods as described above (for flush-mounted TECEloop, distance to front edge of inside of installation frame = 9 mm), and screw on the counter nut to prevent them from turning.



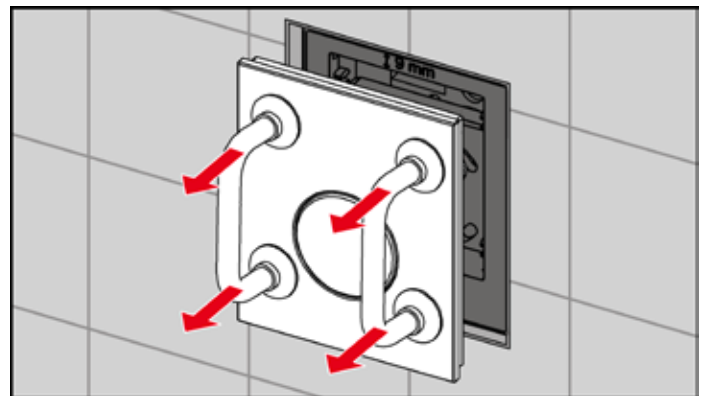
Open the inlet flow control.



Screw the support frame onto the urinal flush valve housing. If necessary, shorten the two screws so that they do not knock against the mounting cross beam (minimum length on minimum wall structure = 40 mm).



Allow the TECEloop flush plate cover to click into place in the support frame.

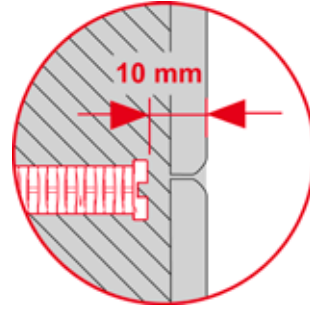


The installed cover can be removed from the flush plate using the bow-type handles included in the installation frame's scope of supply. Only position the suction cups on the cover to be removed.

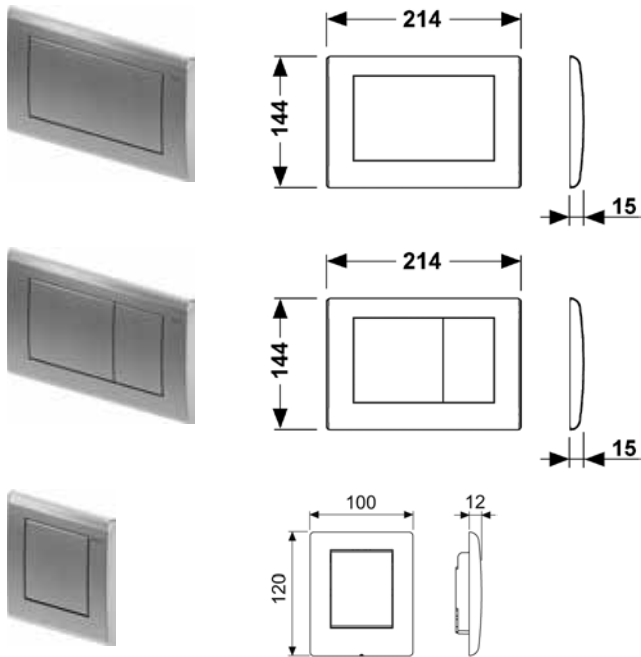
# TECE flush plates – TECEplanus

## TECEplanus

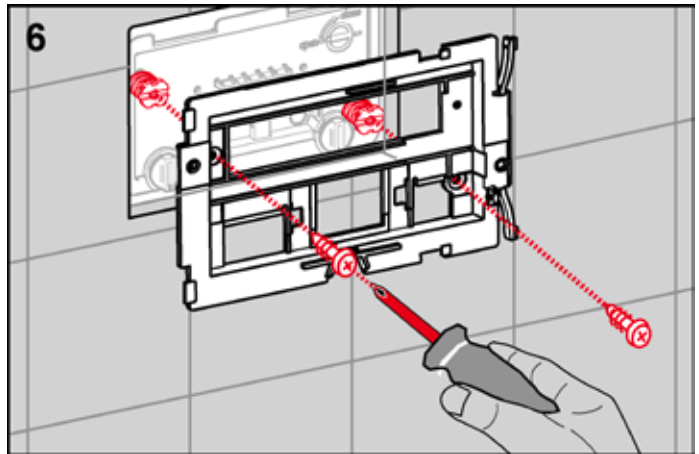
TECEplanus stainless steel flush plates are robust and can be used with single and dual-flush technology. These flush plates are vandal-proof thanks to a concealed screw. This makes them particularly suitable for public sanitary areas, restaurants and hotels. TECEplanus flush plates are available with a harmonised design, including for urinals.



Screw in both attachment rods – distance of attachment rods to wall surface = 10 mm.



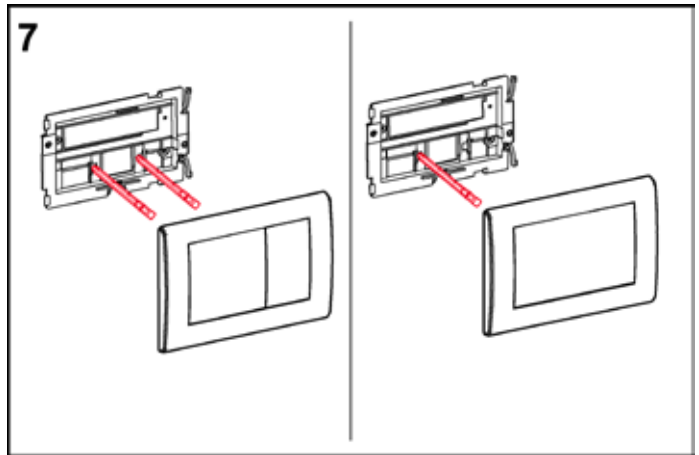
TECEplanus toilet flush plate, single-flush technology  
 TECEplanus toilet flush plate, dual-flush technology  
 TECEplanus urinal flush plate



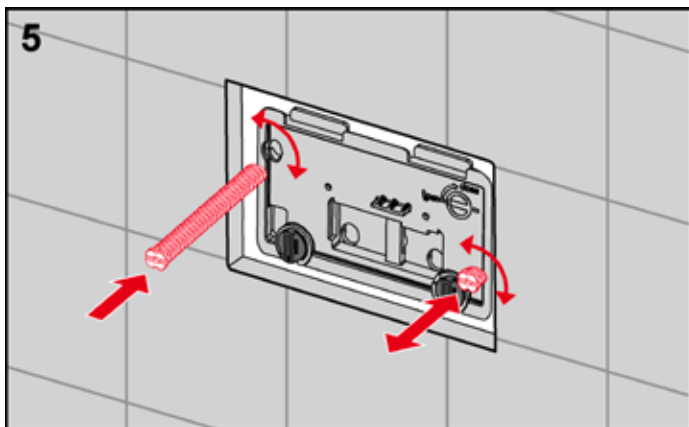
Mount the support frame to the attachment rods.

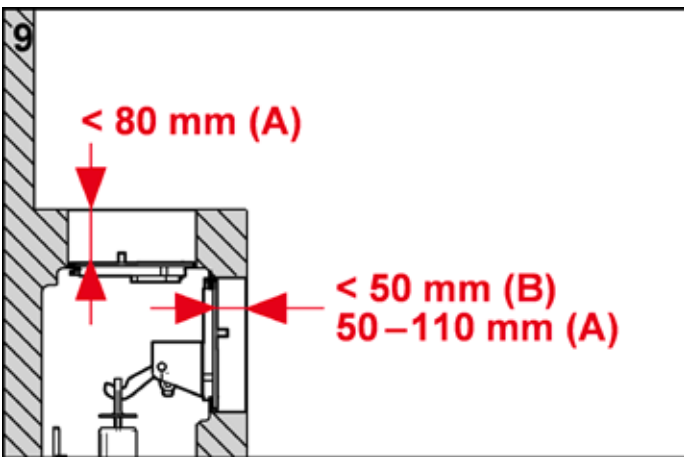
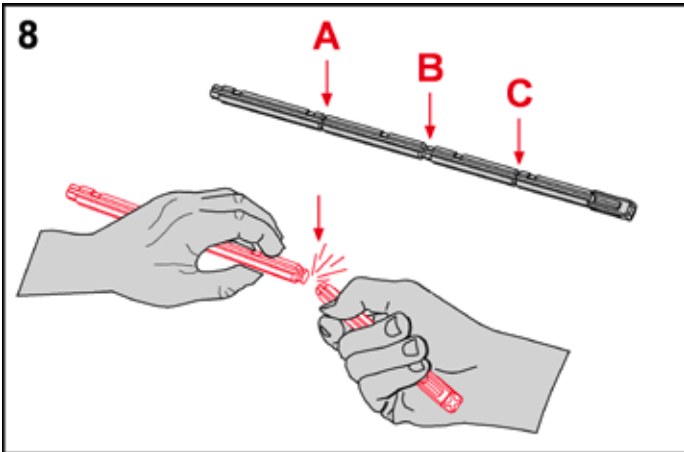
## Installing the toilet flush plate

As with all TECE flush plates, the first four steps for installing the toilet flush plate are the same (for more information, see the section entitled “TECESquare, Installing the TECESquare II metal toilet flush plate”).

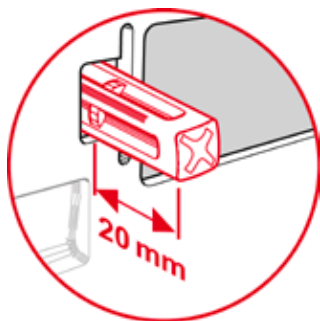
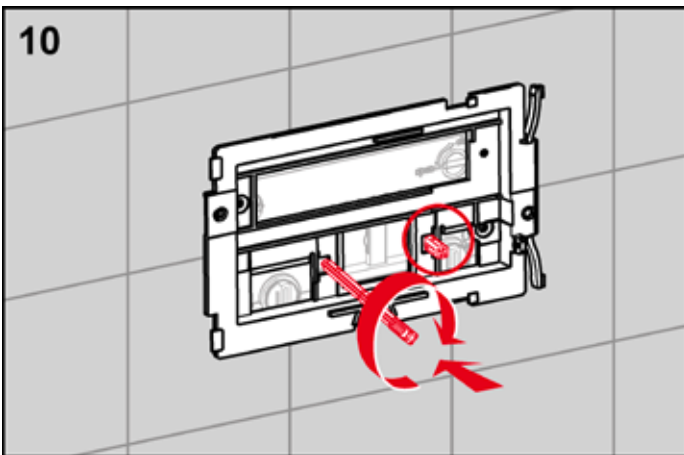


For dual-flush technology, two actuating rods (red and grey) are installed, whereas just one (grey) is required for single-flush technology.

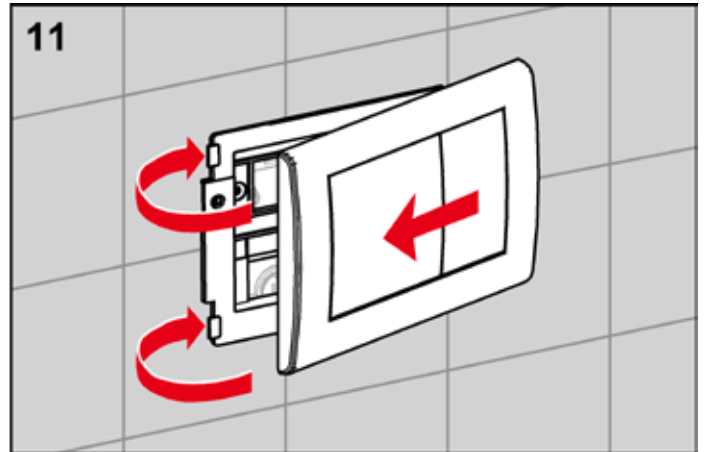




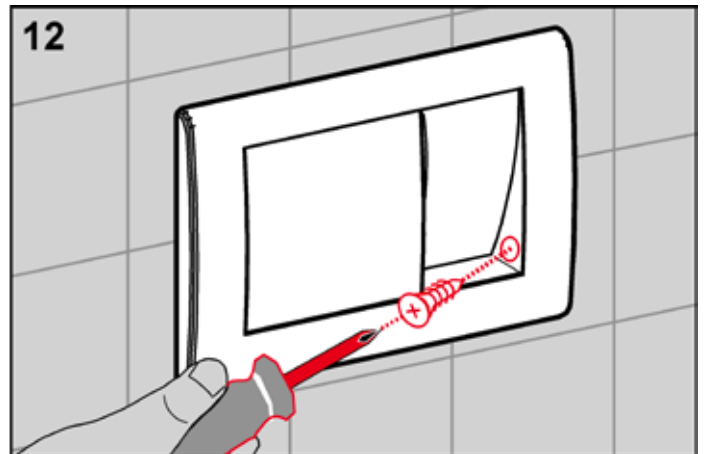
Break off the attachment rods according to the wall structure.



Screw in both actuating rods – distance to front edge of support frame = 20 mm.



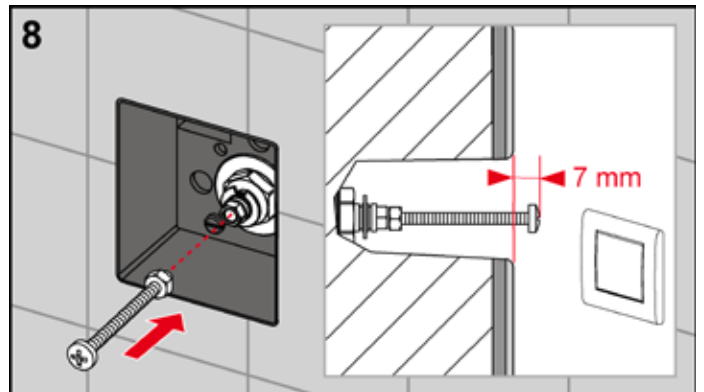
Hook the cover of the TECEambia flush plate into the right-hand side, and fit it onto the support frame by means of the snap lock.



Then screw the vandal-resistant screw into the inside of the flush plate (caution: be careful not to damage the surface).

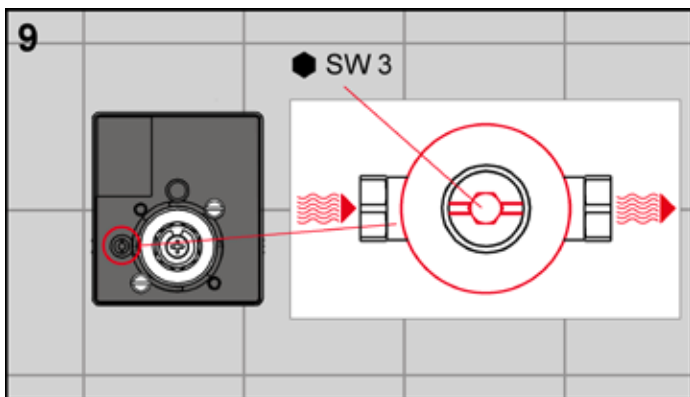
### Installing the urinal flush plate

The first seven steps of the procedure for installing the urinal flush plate for the U 1 urinal flusher are the same for all (wall-mounted) TECE urinal flush plates – see “TECESquare – Wall-mounted installation of the urinal actuation” for more information.

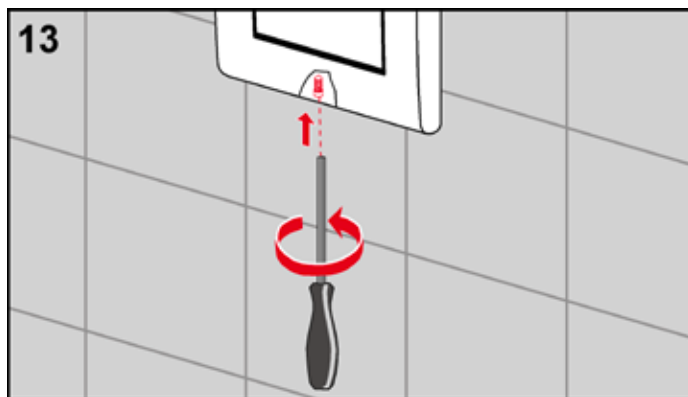


Screw in the actuating rods as described above (for the wall-mounted TECEplanus, distance to wall surface = 7 mm) and screw on the counter nut to prevent them from turning.

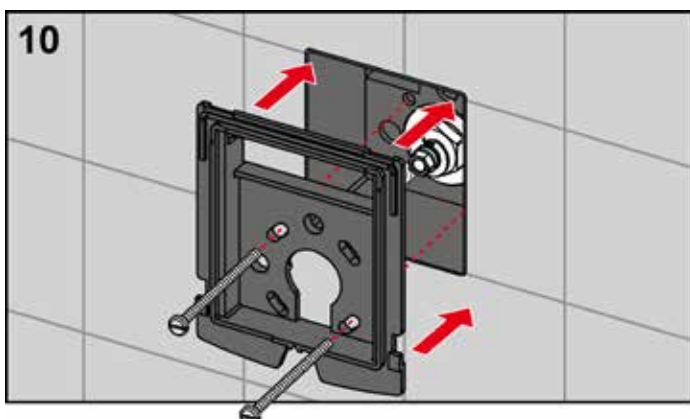
# TECE flush plates – TECEplanus



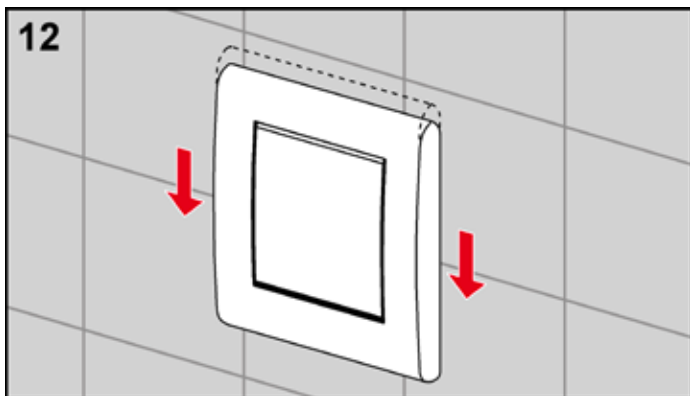
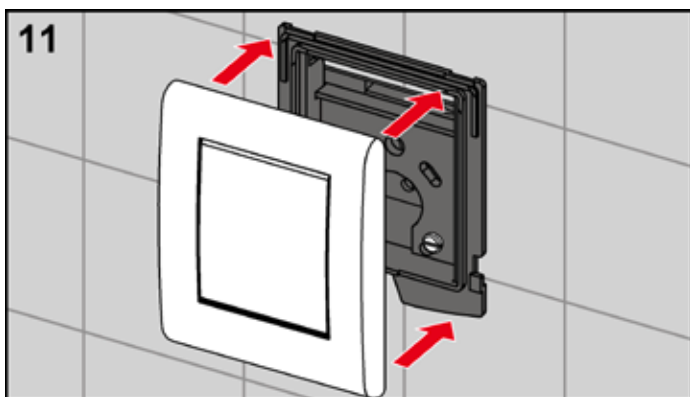
9 Open the inlet flow control.



13 If necessary, you can mount the vandal-resistant screw supplied.

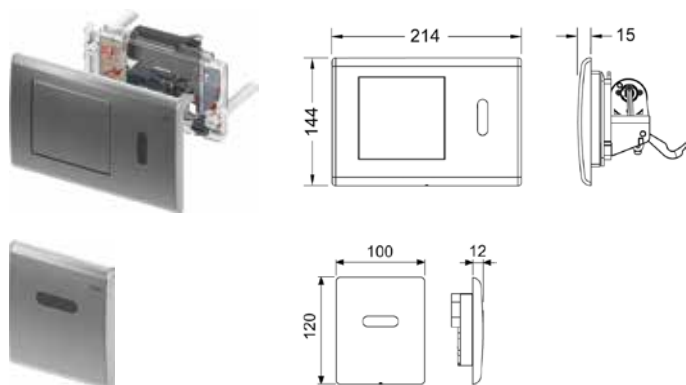


10 Screw the support frame onto the urinal flush valve housing.



12 Finally, mount the flush plate cover.

## TECEplanus infrared electronics



TECEplanus toilet infrared electronics  
TECEplanus urinal infrared electronics

TECEplanus infrared electronics are available for toilets and urinals.

Thanks to the autofocus infrared sensor, these electronics reliably detect use, and flush automatically. These electronics can either be powered by a 6 V battery or by the 12 V mains variant.

### Observe the following:

A transformer must be used for the 12 V mains variant. A suitable place for this (flush-mounted socket or other) must be provided for the purpose as it must not be positioned next to the flush plate under any circumstances.

The connection cable between the transformer and the electronics must be max. 10 metres in length.

The TECEplanus infrared electronics are protected from theft by a vandal-resistant screw. On the toilet electronics, an additional single-flush can also be activated by hand.

## Toilet infrared electronics

The toilet infrared electronics activate the flush if someone enters the detection range and leaves again – after a specified minimum period of time. The following parameters must be observed in the process:

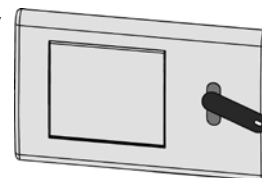
- The detection range is between 50 and 80 cm.
- The detection of people is not completed until a period of at least 16 seconds has passed, during which time the user must remain within the detection range.
- Actuation does not begin until the user has left the detection range: after 5 seconds, a short beep can be heard, after a further 2 seconds, flushing is activated.

If, within the last 7 seconds (5 + 2) the user enters the detection field, the flush actuation stops and only starts again after the user has left the range again, and after another 7 seconds have elapsed.

### Cleaning function

Activating the cleaning function stops the toilet from flushing for ten minutes. After this time, a cleaning flush is automatically activated and the system returns to standard operating mode.

- Activating the cleaning function:  
Hold the programming key briefly in front of the sensor window until an acknowledgement beep sounds.
- Disabling the cleaning function:  
Hold the programming key briefly in front of the sensor window. Three consecutive acknowledgement beeps can be heard – the toilet electronics return to standard operating mode.




The cleaning function can only be activated in standard mode, not during the programming phase.

## Programming the toilet infrared electronics

The toilet infrared electronics can be programmed within the first 30 minutes after power connection. Each configurable function is assigned a position.

Position	Function
1	Hygiene flush off
2	Hygiene flush 56 h
3	Hygiene flush 84 h
4	Hygiene flush 168 h
5	Hygiene flush 336 h
6	Hygiene flush 672 h

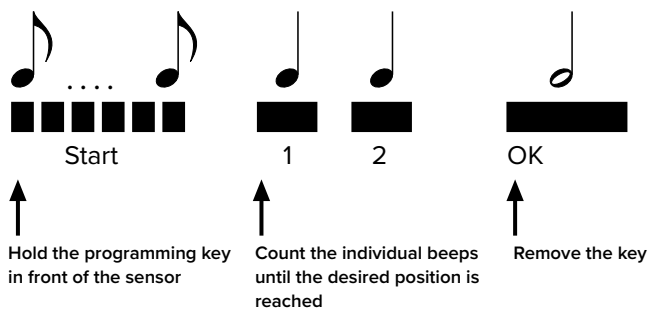
 = factory setting

# TECE flush plates – TECEplanus infrared electronics

## This is how to program the toilet infrared electronics:

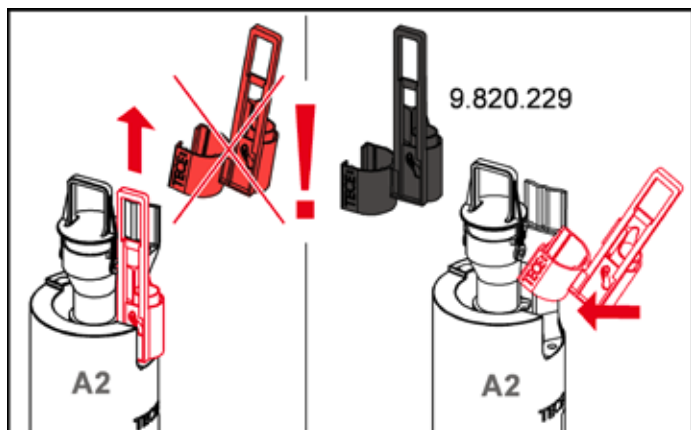
- Hold the programming key in front of the sensor window (see figure). The programming mode starts with a quick series of short beeps.
- After the start-up phase, a sequence of the same beeps can be heard. Count the beeps until you reach your desired function.
- Now remove the programming key. A long beep indicates that the programming key has been removed.

**Example: Setting the hygiene flush to 56 hours:**



## Adapting the cistern

When installing toilet electronics, the cistern's drain valve must be adapted:



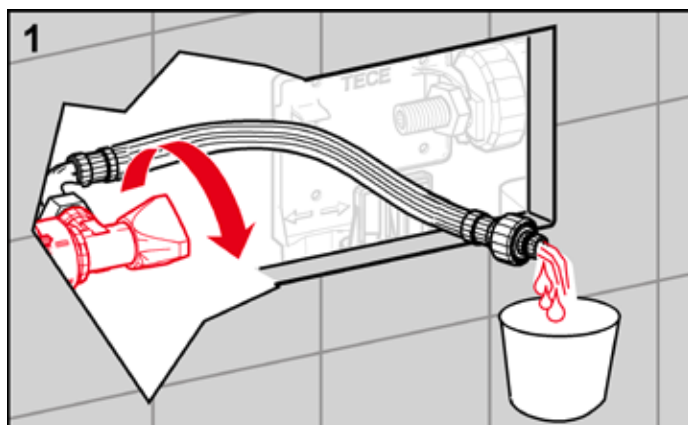
On cisterns installed after mid/end of 2009 and which contain the drain valve (A2) shown, the valve's red pull rod must be replaced by a black one. This is supplied with the toilet electronics motor or is available as a replacement part (order no. 9820229).

## Toilet infrared electronics power options

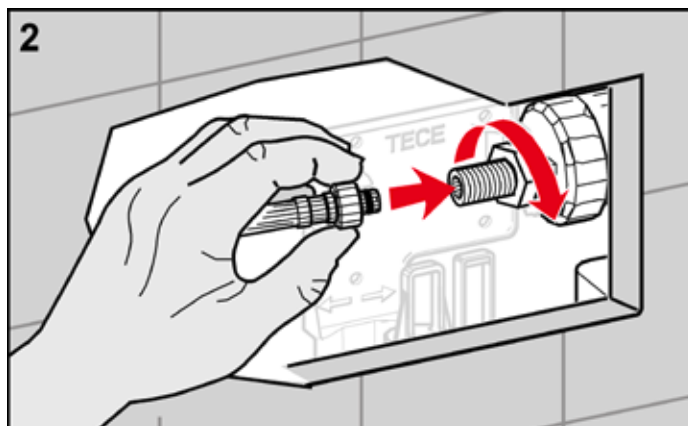
- **Mains variant:**  
The TECE transformer (order no. 9810003, order separately) transforms 230 V AC to 12 V DC.
- **Battery operation:**  
1 x Lithium 2CR5 – 6 V  
Based on a service life of two years, the battery lasts for
  - 15,000 flushes or
  - approx. 20 flushes/day.
 Alternatively, the battery can also be operated by 4 mono cells (LR20). This increases durability to 110,000 flushes or 150 flushes/day. For this, in addition to batteries, you also require another battery housing (order no. 9820202).

## Installing the toilet infrared electronics, 6 V battery

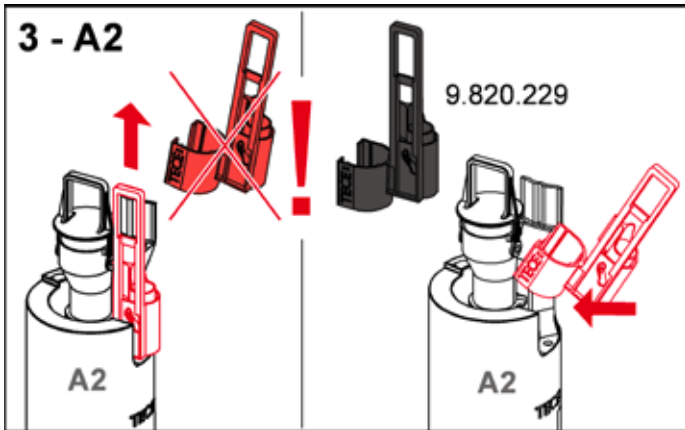
To install the battery version of the toilet electronics, proceed as follows:



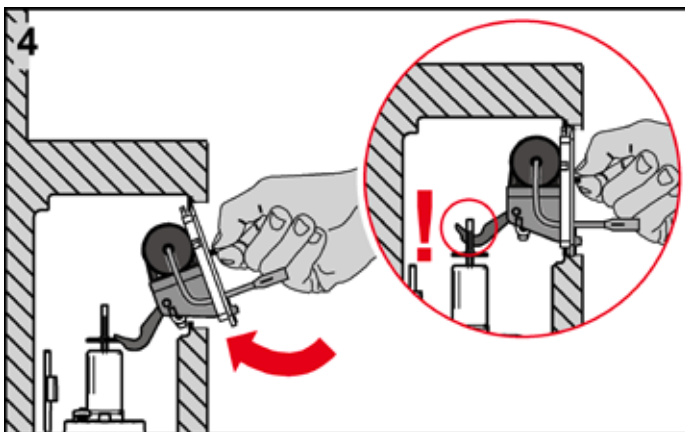
First remove the splash guard with the flush plate – this will no longer be required. Open the corner valve and sufficiently flush out the pipe.



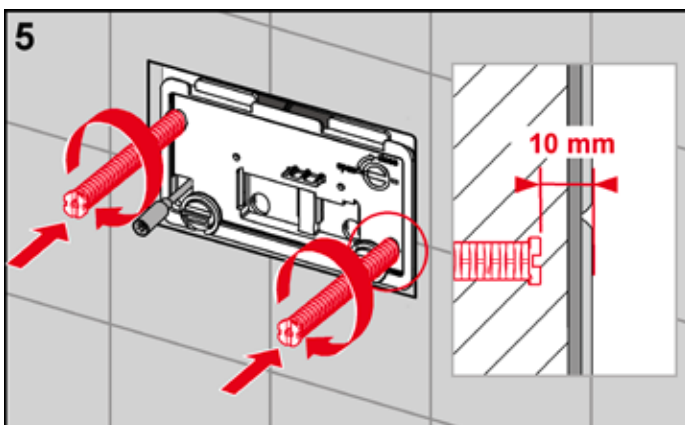
Turn the corner valve to close it again and connect the reinforced hose to the filling valve. If you wish to fill the cistern with water (e.g. for the initial operation), you must open the corner valve again.



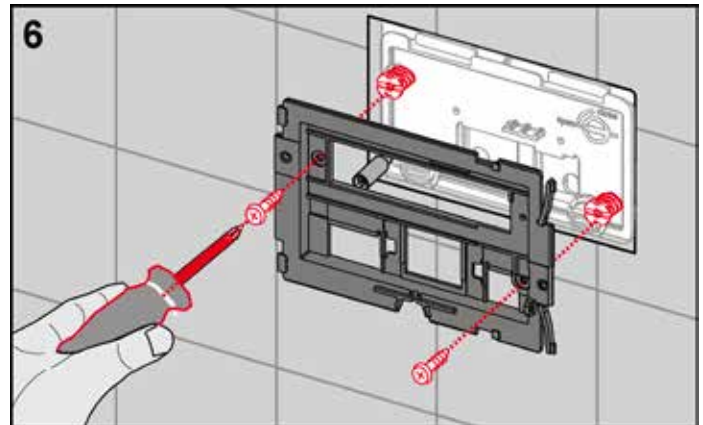
Then adjust the drain valve to the toilet electronics:  
on newer cisterns installed after mid/end of 2009, the red pull rod of the valve (A2) must be replaced by a black one (see figure above).



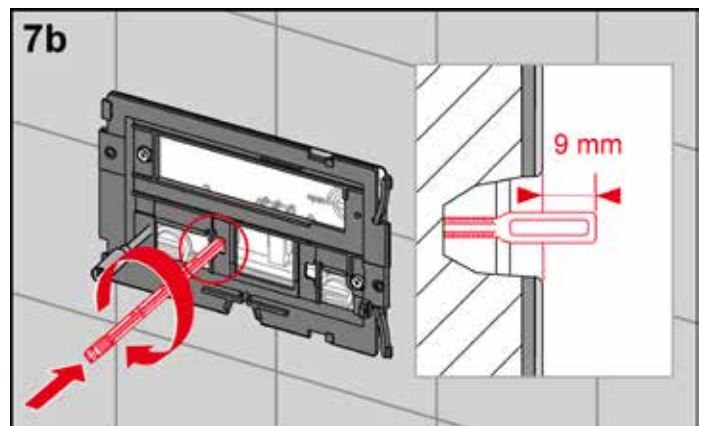
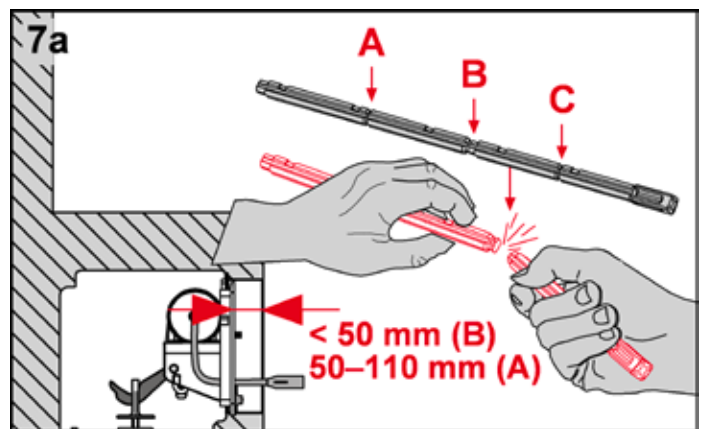
Insert the (new) splash guard for the electronics with the actuation motor. The activation hooks must fit correctly in the drain valve's drawbar eyelets. Tighten the splash guard clamping screws.



Mount the two attachment rods – distance to wall surface = 10 mm.

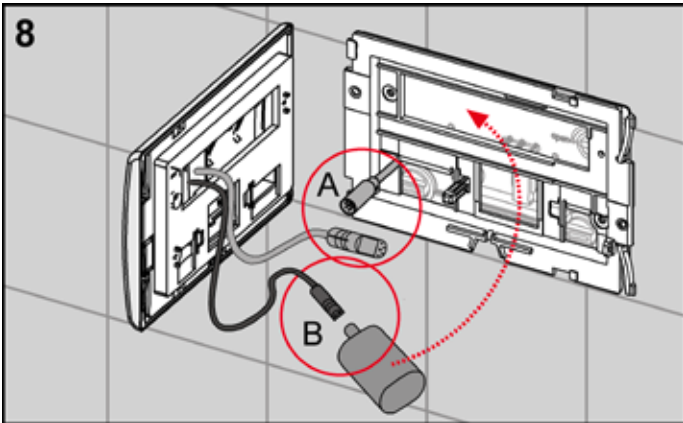


Mount the support frame.



Break off the actuating rods according to the thickness of the wall structure. Screw in both actuating rods – distance to front edge of support frame = 9 mm.

## TECE flush plates – TECEplanus infrared electronics

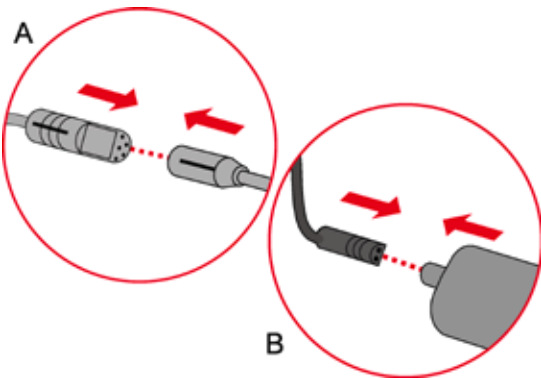


Hook the cover of the TECEplanus flush plate into the right-hand side and fit it onto the support frame by means of the snap lock. Then screw the vandal-resistant screw from underneath into the flush plate (caution: be careful not to damage the surface).

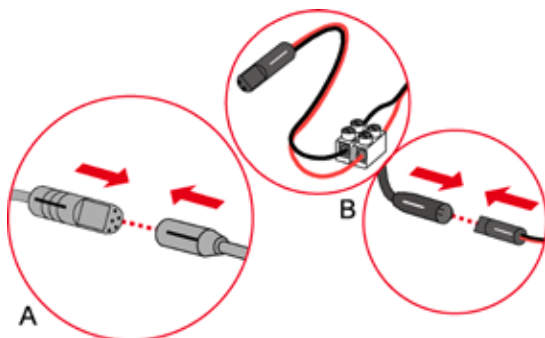
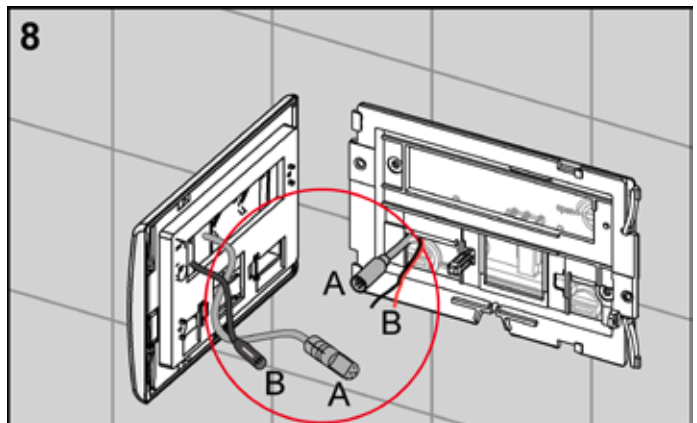
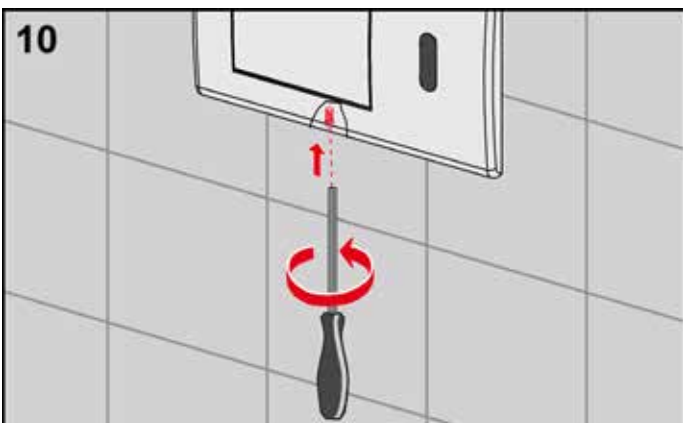
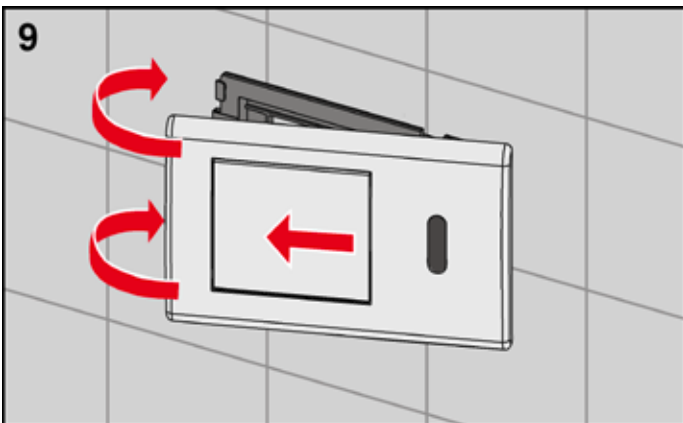
### Installing the toilet infrared electronics, 12 V mains

To connect the 12 V mains version, for each toilet flush plate, you need a TECE transformer (order no. 9810003, order separately) and a connection cable (order no. 9810004, order separately).

The steps for installing the toilet infrared electronics are virtually the same (see the section entitled “TECEplanus, Installing the toilet infrared electronics, 6 V battery” for more information) apart from the connection to the electronics or power supply:



Connect the electronics to the actuation motor and the battery via the plug. If installed correctly, directly after connecting all plugs and the power supply, the electronics will automatically activate the motor once.



Connect the electronics to the actuation motor and the 12 V mains via the plug or terminal strip. If installed correctly, directly after connecting all plugs and the power supply, the electronics will automatically activate the motor once.



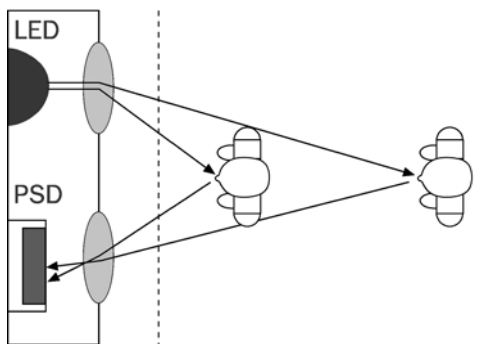
## TECEplanus urinal infrared electronics

As well as the distance that a person retreats, the autofocus sensor of the urinal infrared technology also measures the angle of incidence of light that a person reflects. The sensor also detects whether this person is approaching or moving away.

Consequently, the flush is essentially activated independently of the colour of the user's clothing. It is possible to precisely determine the detection range completely separately from the background. This significantly reduces the likelihood of incorrect activation.

The TECE autofocus sensor has many advantages:

- Intelligent PSD (Unique Position Sensitive Detection) technology
- Precise activation behaviour
- Good black detection
- Insensitive to changing light conditions
- Minimum energy consumption with maximum battery life



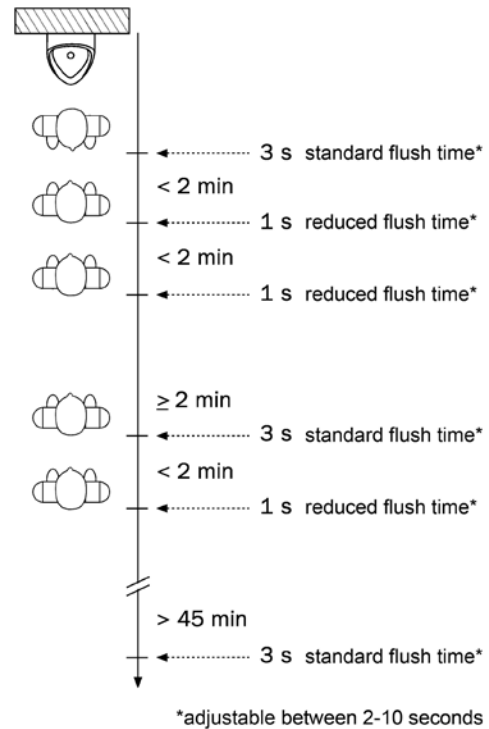
Function of the IR sensor with PSD technology

The toilet electronics activate the flush if someone enters the detection range and leaves again – after a specified minimum period of time. The following parameters must be observed in the process:

- The detection range is between 5 and 45 cm.
- The detection of people is not completed until a period of at least 6 seconds has passed, during which time the user must remain within the detection range.
- Actuation does not begin until the user has left the detection range.

### Pause function

When the pause function is activated, the flush time is automatically reduced to one second following repeated flushes in short succession (less than every two minutes). 45 minutes after the last economy flush, a standard flush is activated.



Pause function

### Cleaning function

Activating the cleaning function stops the urinal from flushing for ten minutes. After this time, a cleaning flush is automatically activated and the system returns to standard operating mode.

- Activating the cleaning function:  
Hold the programming key briefly in front of the sensor window until an acknowledgement beep sounds.
- Disabling the cleaning function:  
Hold the programming key briefly in front of the sensor window. Three consecutive acknowledgement beeps can be heard – the urinal returns to standard operating mode.


The cleaning function can only be activated in standard mode, not during the programming phase.

## Programming the urinal infrared electronics

After installing the electrical supply, the electronics can be programmed within one hour using the magnetic key supplied. If you wish to change the program, you must interrupt the power supply. Thanks to a memory chip, the last program set always remains active even after a power cut.

# TECE flush plates – TECEplanus infrared electronics

Position	Function
1	Pause function "off"
2	Pause function "on"
3	Flush time 2 s
4	Flush time 2.5 s
5	Flush time 3 s
6	Flush time 3.5 s
7	Flush time 4 s
8	Flush time 5 s
9	Flush time 6 s
10	Flush time 8 s
11	Flush time 10 s
12	Pre-rinsing "off"
13	Pre-rinsing 0.5 s
14	Pre-rinsing 1 s
15	Pre-rinsing 2 s
16	Hygiene flush off
17	Hygiene flush 24 h
18	Hygiene flush 255 h
19	Sensor sensitivity "low"
...	...
23	Distance "standard"
24	Distance "short"
25	Distance "long"
...	...
28	Factory setting
29	Urinal covers "off"
30	Urinal covers "on"

 = factory setting

Approximately five seconds after being connected to the power supply, TECE electronics can be programmed in the first 30 minutes. Each configurable function is assigned a position.

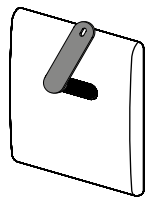
In programming mode, the electronics can be set with the magnetic key. In standard mode, only the cleaning function can be activated with this key.

- **Cleaning function:**  
When cleaning the urinal, automatic flushing is generally not required as the cleaning agent needs time to take effect. For this reason, flushing can be delayed by 10 minutes.
- **Pre-flush (optional):**  
(Duration 0–2 seconds) Briefly humidifies the ceramic before use, preventing adhesion of urine. Desired side effect: The pre-flush stimulates the urge to urinate.
- **Pause function (optional):**  
The volume of water is automatically reduced if the urinal is flushed at intervals of less than two minutes. A cleaning flush takes place 45 minutes after the last water-saving flush.

- **Variable flush time:**  
(Duration 2–10 seconds) The flush volume can be adapted to requirements throughout the flush time.
- **Distance:**  
The modern autofocus sensor optical system operates reliably in varying construction situations. Nevertheless, the optical system's detection range can be changed on extremely small or large urinal systems.
- **Hygiene flush (optional):**  
If this function is activated, a regular clean flush prevents the siphon from drying out and emitting unpleasant smells, and also prevents residues from being deposited (choice of 24 or 255 hours after the last flush).
- **Siphon refill (optional):**  
Modern urinals generally suck the siphon contents completely away and then refill enough water to fill the siphon back up again. If this does not work, the refill function of the TECE electronics can be activated, and a short flush impulse fills the siphon up.

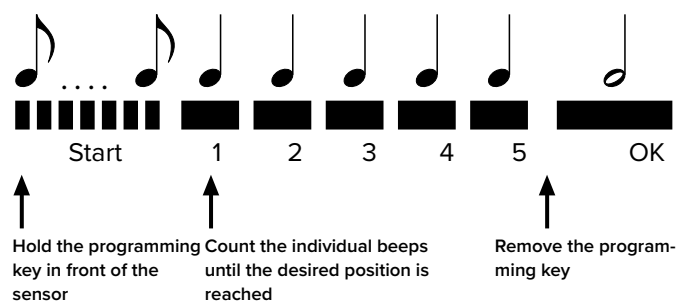
### This is how to program the TECE electronics:

- Hold the programming key briefly in front of the sensor window. The programming mode starts with a quick series of short beeps.



- After the start-up phase, a sequence of the same beeps can be heard. Count the beeps until you reach your desired function.
- Now remove the programming key. A long beep indicates that the programming key has been removed.

Example: Setting the flush time to three seconds



### Power options for urinal electronics with remote release

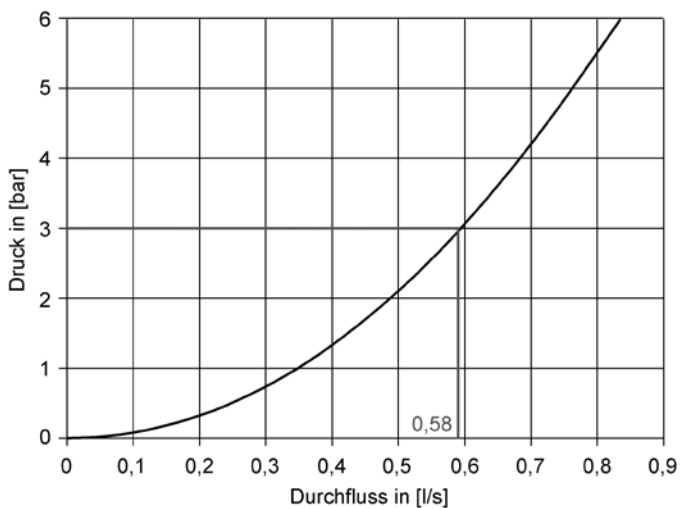
- Mains variant:  
The TECE transformer (order no. 9810003, order separately) transforms 230 V AC to 12 V DC.
- Battery operation:  
1 x 2 CR 5 Lithium – 6 V

Based on a service life of two years, the battery lasts for

- 220,000 flushes or
- approx. 300 flushes/day.

### Technical data

Using the following flow diagram, you can calculate the flush volume for the urinal pressure flushing system depending on mains pressure and flush time.



Urinal flow diagram

#### Example:

Mains pressure 3 bar: flushing flow = 0.58 l/s  
Flush time e.g. 3.5 s: flush volume approx: 2 litres

### Urinal infrared electronics, 6 V battery

Minimum flow pressure	0.5 bar
Max. operating pressure	12 bar
Flow rate at 3 bar	0.58 l/s
Operating voltage	6 V DC
Power input	1 W
Max. power input	5 W
Battery type	Lithium 6 V, 2 CR 5
Battery service life	approx. 3 years
Protection class	III Safety extra low voltage (SELV)

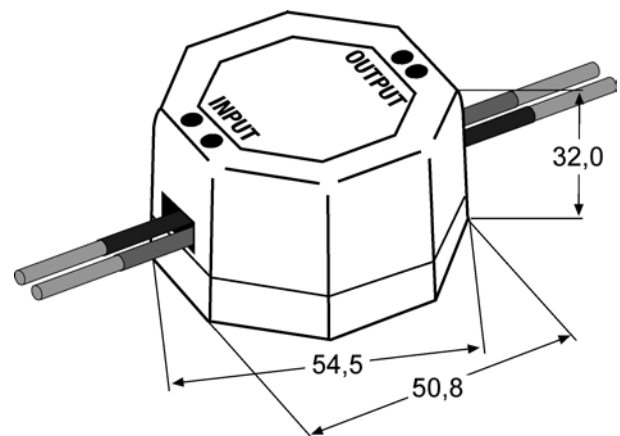
Flush time, factory setting	3 s
Flush time, setting range	2-10 s
Pre-flush, factory setting	off
Pre-flush, setting range	0.5-2 s
Pause function, factory setting	off
Hygiene flush, factory setting	off

### Urinal infrared electronics 12 V mains

Minimum flow pressure	0.5 bar
Max. operating pressure	12 bar
Flow rate at 3 bar	0.58 l/s
Mains voltage	230 V
Operating voltage	12 V (± 20 %)
Power input	1 W
Max. power input	5 W
Protection class	III Safety extra low voltage (SELV)

Flush time, factory setting	3 s
Flush time, setting range	2-10 s
Pre-flush, factory setting	off
Pre-flush, setting range	0.5-2 s
Pause function, factory setting	off
Hygiene flush, factory setting	off
Hygiene flush, setting range	off, 24 hours, 255 hours

### Transformer 230 V/12 V mains



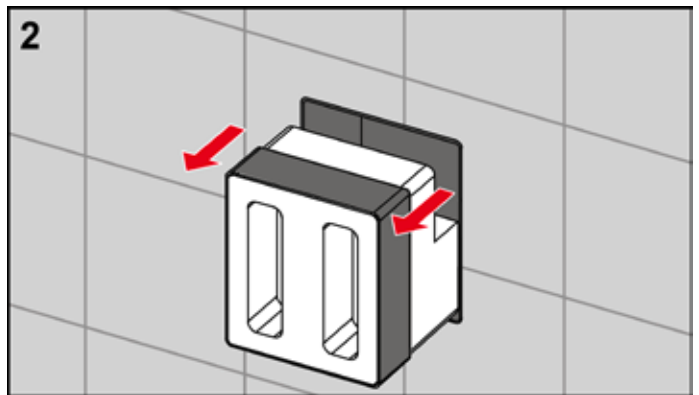
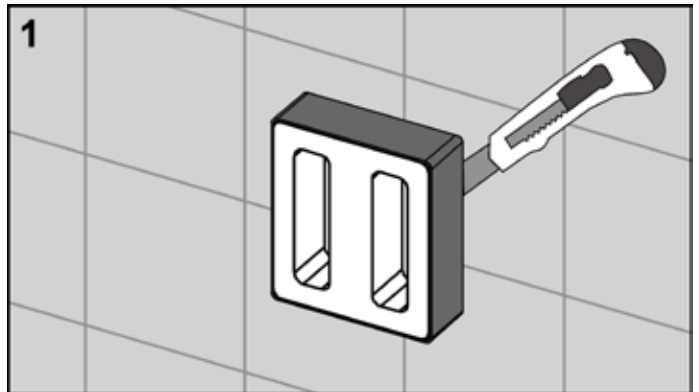
Input voltage	230 V AC (± 20 %)
Frequency	48–63 Hz
Rated output voltage	12 V DC (± 20 %)
Output voltage tolerance	± 3%
Residual ripple	< 50 mVpp
Rated output current	1.0 A
Nominal power	6 W
Minimum load	0
Energy efficiency	75%

# TECE flush plates – TECEplanus infrared electronics

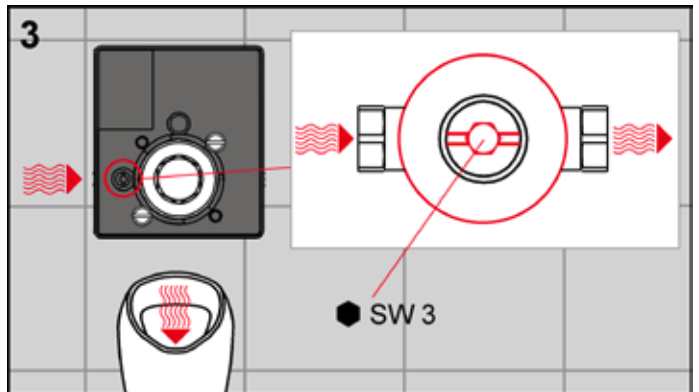
Flush plates

Overload protection	electronic
Short circuit protection	electronic
Type of protection	IP 2
Protection class	II
	CE low voltage power supply
Operating temperature	- 20 °C to + 40 °C
Safety standard	EN 61 558 / EN 60 950
EMV standard	EN 55 022/B
Technology	Switching
Switch frequency	100 KHz
Dielectric resistance	3 750 V/1 min
MTBF (MIL HDBK217)	120, 000 h

## Installing urinal infrared electronics for the U 1 urinal flusher, 6 V battery



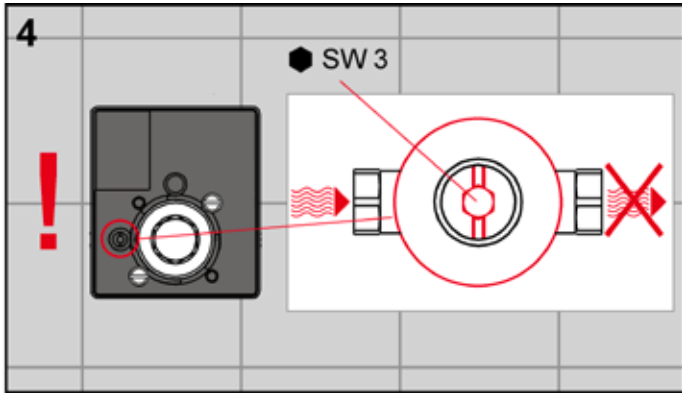
Cut the bare-wall protection flush against the wall, and remove it together with the polystyrene support.



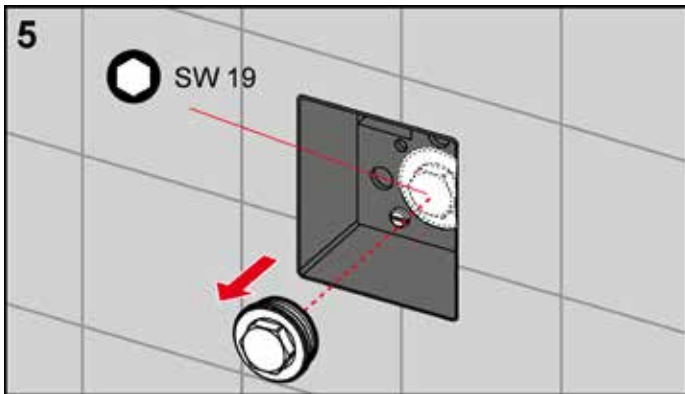
Sufficiently flush out the pipe.

### Observe the following:

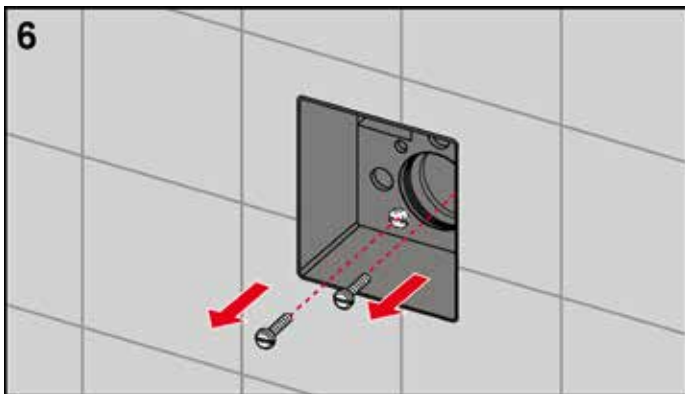
When performing the pressure test, the inlet flow control of the flush valve must be set to free-flow.



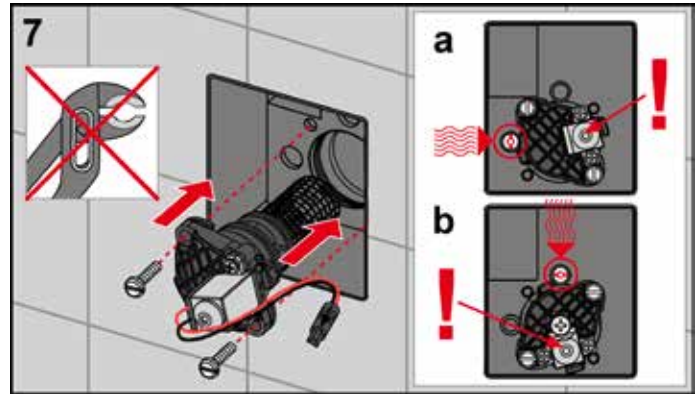
Before mounting the cartridge, ensure that the inlet flow control is closed so that no water can leak out during assembly. Close the shut-off using an Allen key. In the free-flow setting (fig. 3), the shut-off slot is parallel with the flush valve housing and in the closed setting (fig. 4), it is at right angles to the housing.



Remove the bare-wall plug.



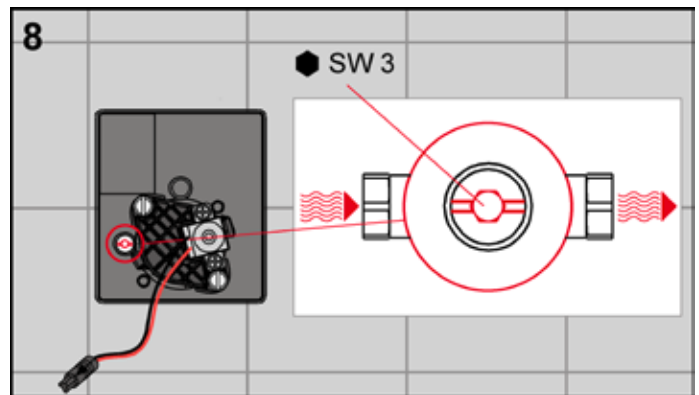
Unscrew the fastening screws on the bare-wall protection.



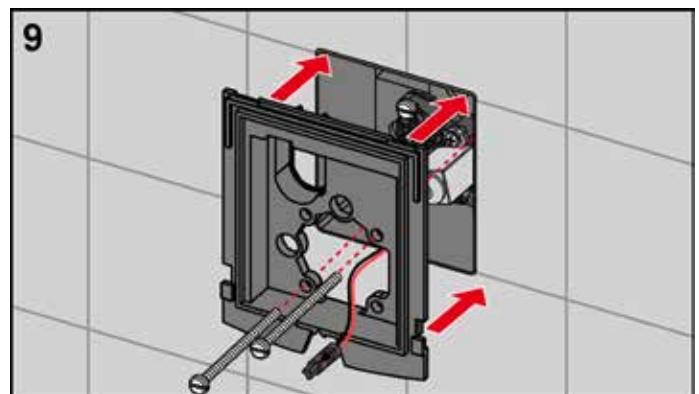
Install the electric cartridge (do not let the tool come into contact with it) and tighten the screws by hand.

**Please note:**

It is particularly important, when installing the electronic cartridge, to place it in the correct position. As can be seen on the right of the above illustration, the position also depends on the installation situation of the flush valve housing: Horizontal housing = shut-off on the left, electronics on the right (fig. 7a); vertical housing = shut-off at the top, electronics at the bottom (fig. 7b). If the cartridge is installed incorrectly, the function may operate to start with, however, malfunctions will occur after a while.

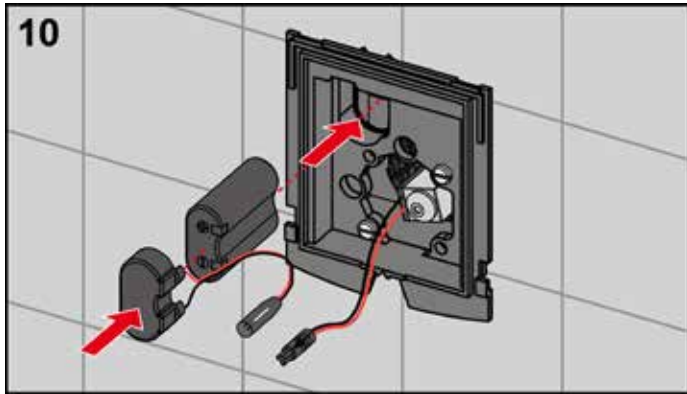


Open the inlet flow control.

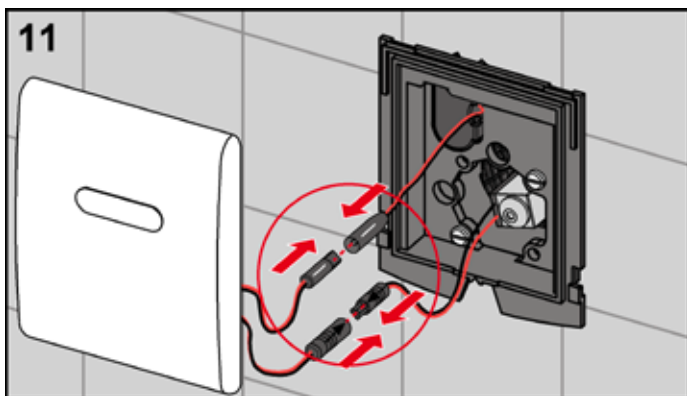


Screw the support frame onto the urinal flush valve housing.

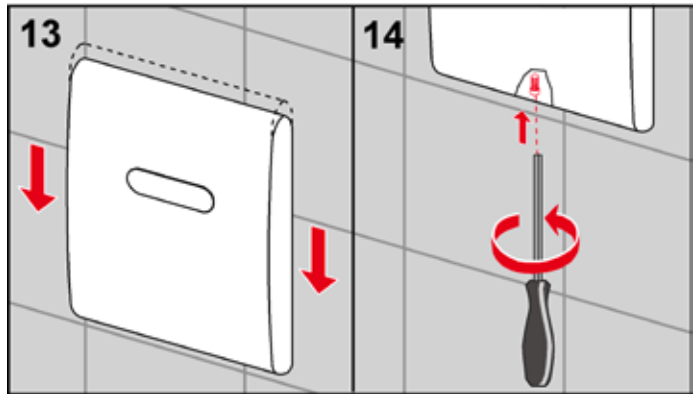
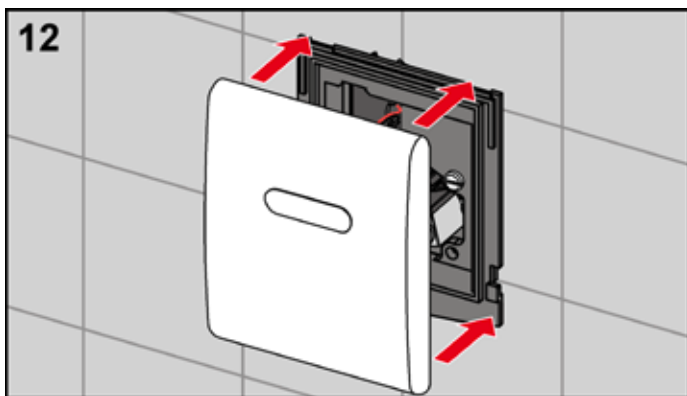
# TECE flush plates – TECEplanus infrared electronics



Place the connector adapter on the battery and position it in the opening provided for the purpose.



Connect the battery and cartridge to the electronics.



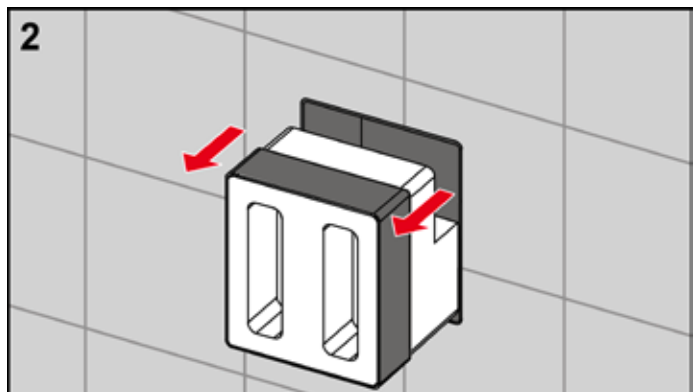
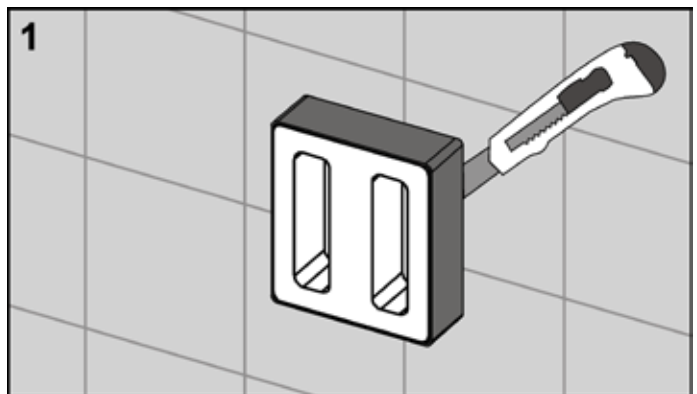
Finally, install the flush plate cover and mount the vandal-resistant screw supplied.

## Installing the urinal infrared electronics, 12 V mains

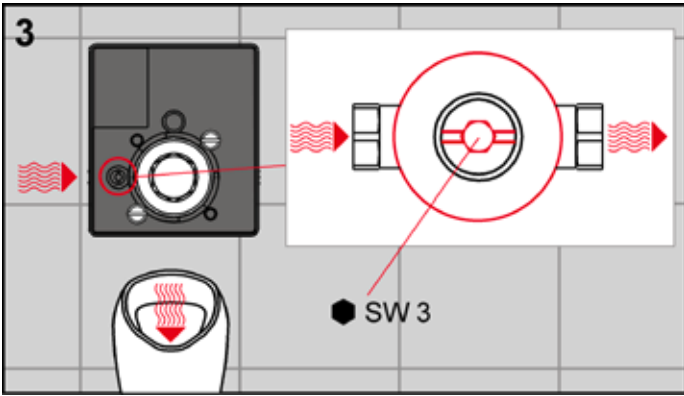
### Caution:

When installing a 12 V variant, the following details must be observed:

- A maximum of 5 electronics may be connected to one transformer at the same time.
- The 12 V mains electronics must be connected in parallel in a series installation.
- The connection cable between the connection on the transformer and the most remote electronics must be max. 10 metres in length.



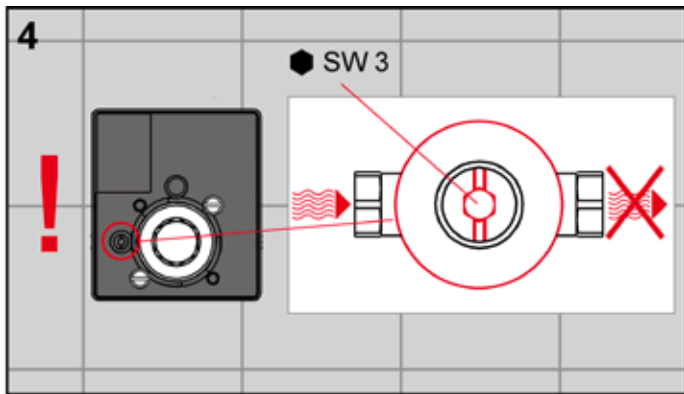
Cut the bare-wall protection flush against the wall, and remove it together with the polystyrene support.



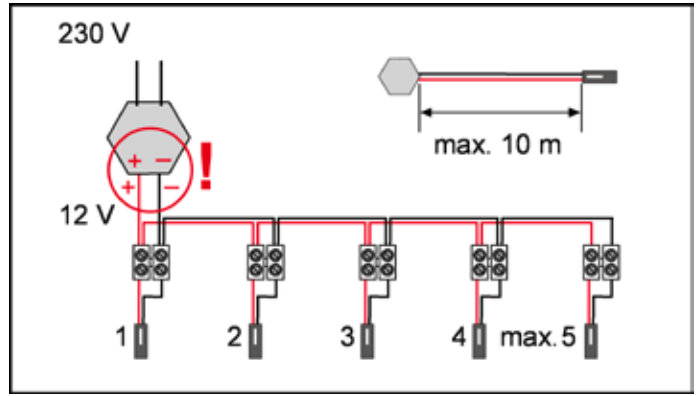
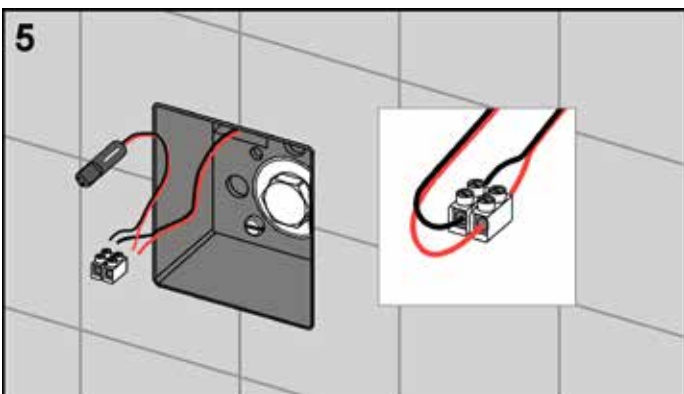
Sufficiently flush out the pipe.

**Observe the following:**

When performing the pressure test, the inlet flow control of the flush valve must be set to free-flow.

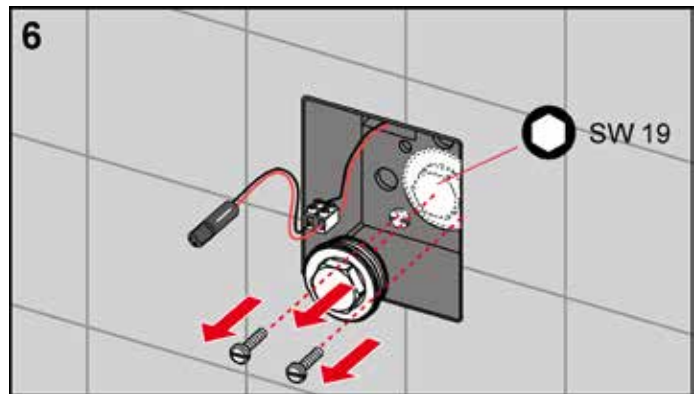


Before mounting the cartridge, ensure that the inlet flow control is closed so that no water can leak out during assembly. Close the shut-off using an Allen key. In the free-flow setting (fig. 3), the shut-off slot is parallel with the flush valve housing and in the closed setting (fig. 4), it is at right angles to the housing.

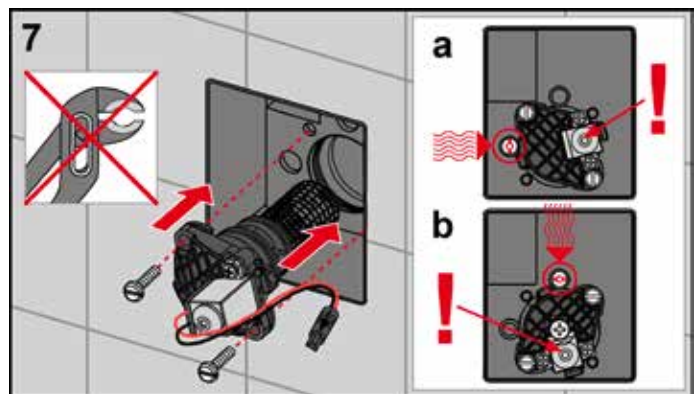


Connect the transformer cable to the mains connection adapter. Ensure correct polarity when making the connections.

Note the maximum number of connected electronics (= 5) and the maximum length of the connection cable (= 10 m).



Remove the bare-wall plug and unscrew the fastening screws on the bare-wall protection.

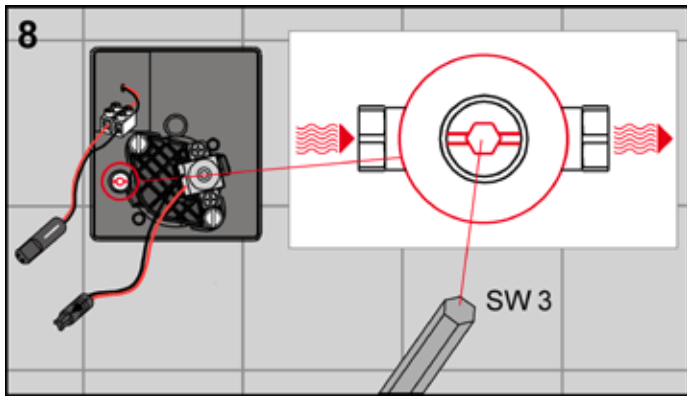


Install the electric cartridge (do not let the tool come into contact with it) and tighten the screws by hand.

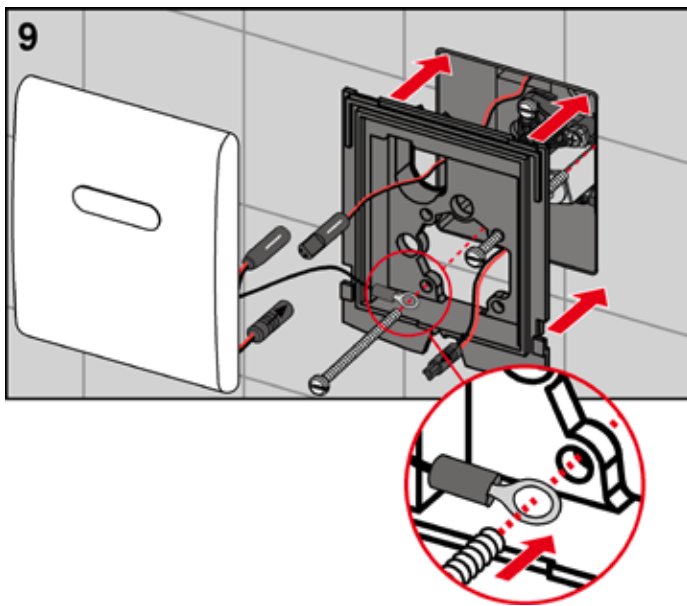
# TECE flush plates – TECEplanus infrared electronics

### Please note:

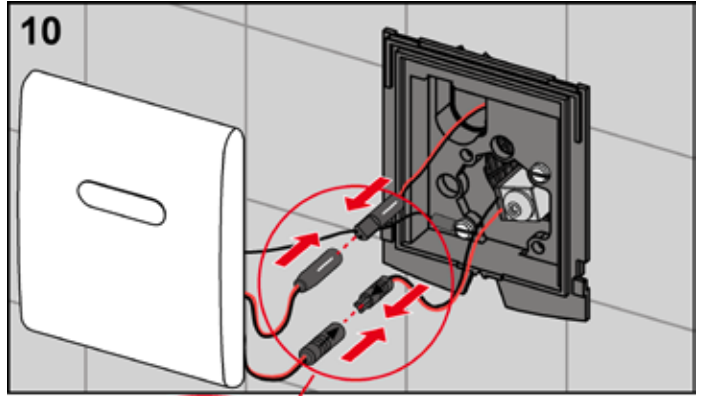
The right position is particularly important when installing the electronic cartridge. As can be seen on the right of the above illustration, the position also depends on the installation situation of the flush valve housing: Horizontal housing = shut-off on the left, electronics on the right (fig. 7a); Vertical housing = shut-off at the top, electronics at the bottom (fig. 7b). If the cartridge is installed incorrectly, the function may operate to start with, however, malfunctions will occur after a while.



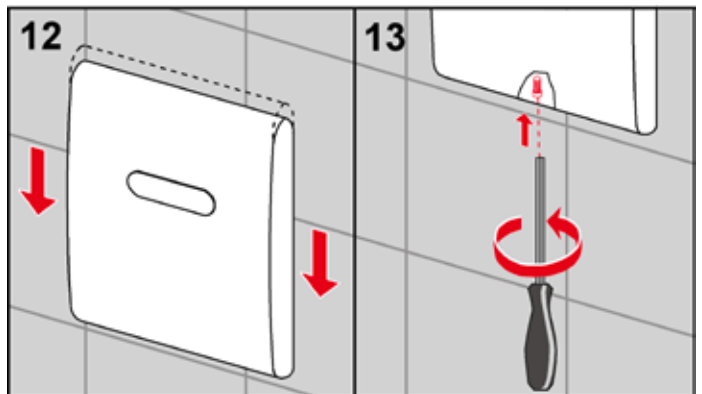
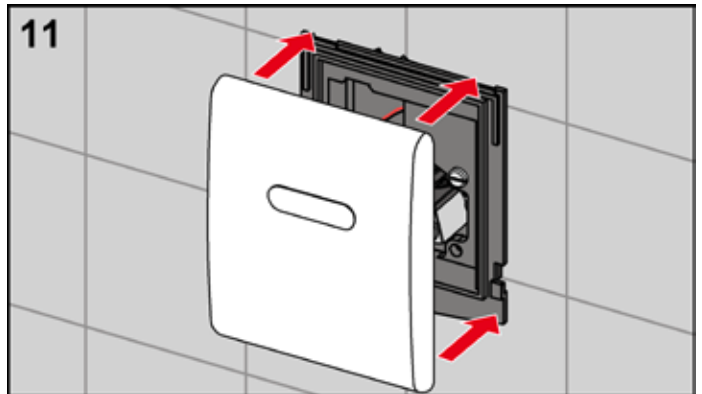
Open the inlet flow control.



Earth the electronics via the fastening screw on the flush valve housing (see details) and screw the support frame onto the urinal flush valve housing.



Connect the battery and cartridge to the electronics.

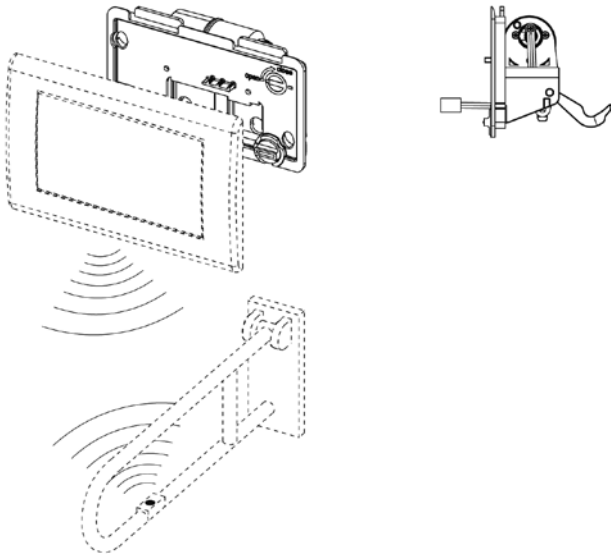


Finally, install the flush plate cover and mount the vandal-resistant screw supplied.



## TECEplanus electronics, remote release

Electronic flush systems are also available when using safety arm supports. It is possible to install a radio switch for electrical actuation on the safety arm support. It is also possible to use several radio switches with one receiver.



### Power options for toilet electronics with remote release

- Mains variant:  
The TECE transformer (order no. 9810003, order separately) transforms 230 V AC to 12 V DC.
- Battery operation:  
4 x LR20 mono cells – 6 V

Based on a service life of two years, the battery lasts for

- 190,000 flushes or
- approx. 260 flushes/day.

### Observe the following:

A transformer must be used for the 12 V mains variant. A suitable place for this (flush-mounted socket or other) must be provided for the purpose as it must not be positioned next to the flush plate under any circumstances.

A flush plate is not included in the scope of supply. Any single-flush system can be used with the remote release, and all two-flush systems are possible too (e.g. TECE-loop, TECESquare). However, the largest flush volume will only ever be activated, even if both actuating rods were installed during installation.

## TECEplanus radio switch

The TECEplanus radio switch (order no. 9240360) can be retrofitted for most safety arm supports, and is coordinated with the TECEplanus toilet remote release.



TECEplanus radio switch

### Initial operation

Before installing the radio transmitter on the safety arm support, the supplied batteries must be installed:

- Unscrew the screw on the back of the housing and open the cover. Insert both batteries as indicated on the housing.
- You can only set the volume of the “beep” for the acoustic flush acknowledgement when the housing is open. We recommend the factory setting: full volume.
- To lower the volume, turn the controller to the left. Turn the controller to the right to increase the volume.



Volume controller

Now close the housing tightly again.

- Make sure that you fit the housing cover correctly: the cover features a sealing ring which prevents water from penetrating inside.
- When screwing on the housing cover, also make sure that the sealing ring fits precisely around the locking screw.

# TECE flush plates – TECEplanus electronics, remote release

## Assembly

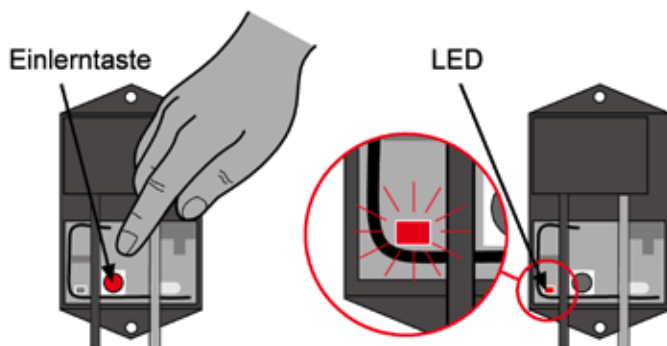
The radio transmitter is delivered with two pre-mounted fastening clips for tightening the screw on the support handles with a pipe diameter of up to 33 mm.

- Loosen the screw connections on the universal clips. Then attach the radio transmitter on the top or bottom pipe (depending on the safety arm support) using these two clips.
- Tighten up the screws after placing the radio transmitter in its final position.

Depending on the required position of the transmitter, the radio transmitter can be fitted on either safety arm support (to the left or right of the toilet).

## Programming the radio transmitter

Before being used for the first time, the radio transmitter must first be assigned to the respective receiver (a component of the corresponding flush system). There is a corresponding button and LED on each receiver for this purpose.



Programming the radio switch

- To assign the radio transmitter, press the programming button on the receiver. This is visually acknowledged on the receiver by the LED flashing once.
- Now, within 30 seconds, press the flush-actuation surface on the radio transmitter (see the illustration on the right). If the LED flashes three times, this indicates that the radio transmitter has been successfully programmed.

## Flush function

After successful programming, you can now flush the toilet by approaching the activation surface of the radio transmitter (approx. 3-5 mm in front of the surface) or by touching this surface. A successful flush signal is acknowledged by an audible “beep”.

## Technical data

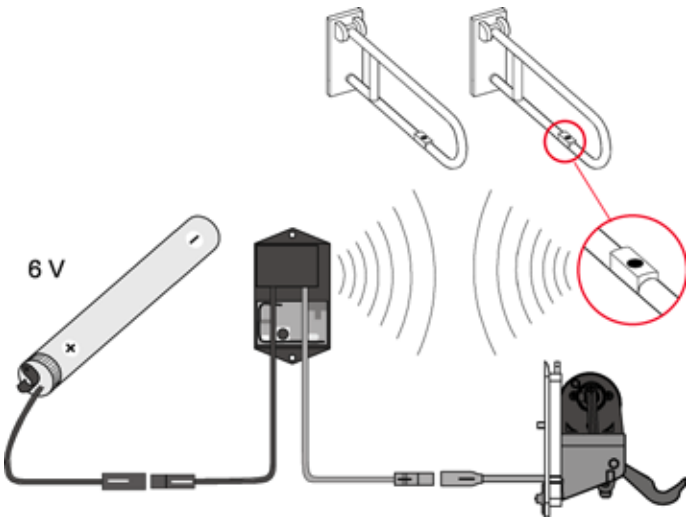
Frequency	868.4 MHz
Addressing	individual 32-bit address, programmable on the receiver
Range	max. 10 m
Functions	Flushing for compatible toilet controls
Actuation	capacitive switch, acoustic acknowledgement by button sound

Power supply	3 V DC (2 x LR-1 alkaline batteries)	
Battery life	approx. 3 years or 100,000 flushes	
Housing	ABS housing approx. 85 x 46 16 mm	
Assembly	via clips on the safety arm support	
Colour	black (RAL 9005)	
Degree of protection	IP 54	
Compatible toilet controls	TECEplanus	9240354
	TECEplanus	9240355
	Geberit	115.867
	Sanit	03.082.00.0000
	Viega	462.376

## Compatible radio electronics for TECE remote release (868.4 MHz) – safety arm support and radio transmitter independent of arm support

Manufacturer	Item	Item no.
AMS	Radio release, can be mounted on AMS safety arm support	533390
DEUBAD	Radio-controlled triggering	DEU FK100
Erlau	FMI/E radio transmitter FMI/O radio transmitter	8102213 8102214
Frelu	Transmitter for wireless toilet flush actuation	OP10 radio
FSB	Radio-controlled switch	8248 0002
GEBERIT	Hytronic switch	241.568.00.1
GROHE	Radio transmitter	100620
HEWI	Toilet flush-actuation upgrade kit (radio) ..., left ..., right	802.50.060 802.50.060L 802.50.060R
KEUCO	Safety arm support with integrated remote release ... 700 mm right  ... 700 mm left  ... 850 mm right  ... 850 mm left	34903011737 34903011738 34903171737 34903171738  34903012737 34903012738 34903172737 34903172738  34903011837 34903011838 34903171837 34903171838  34903012837 34903012838 34903172837 34903172838
Lehnen	Radio transmitter (with universal clip) Radio transmitter (white housing)	FA10-001 FA30-001
Normbau	Radio transmitter NY.WCR 435, suitable for retrofitting	0449010
PBA	Universal radio transmitter	no known
Pressalit Care	Radio transmitter, 868.4 MHz	R9341
Wagner	Universal radio transmitter	600063

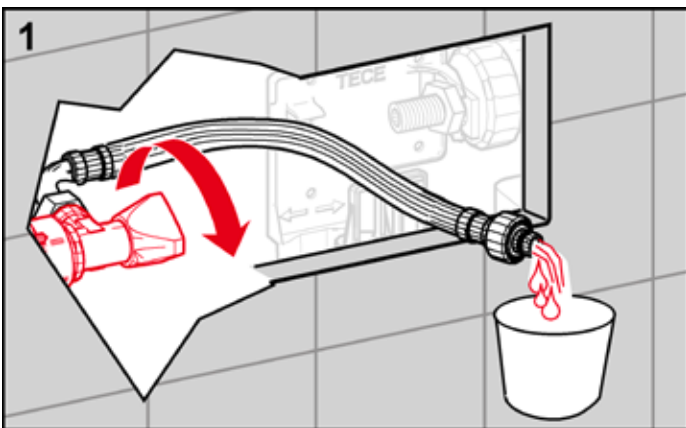
**Toilet electronics, remote release, 6 V battery**



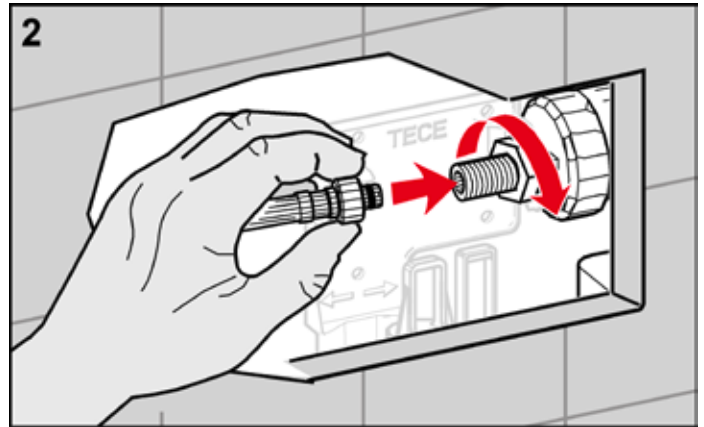
The radio signal sent when the radio switch is activated is received by a radio receiver. This receiving unit operates the power circuit to trigger the actuation motor. Power is supplied via four batteries enclosed in waterproof housing in the cistern.

**Installing the toilet electronics, remote release, 6 V battery**

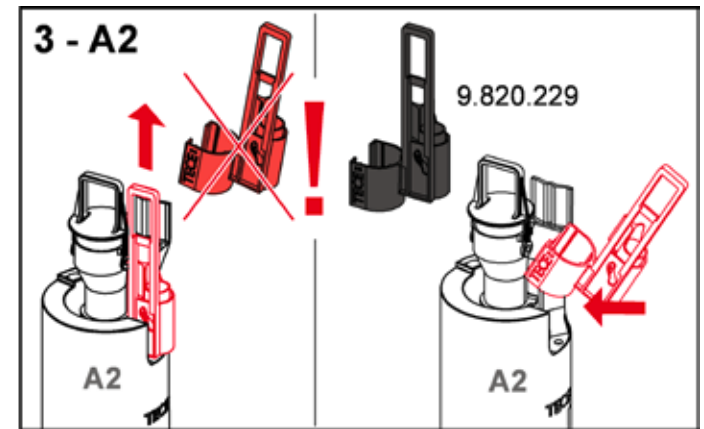
To install the battery version for the toilet electronics remote release, proceed as follows:



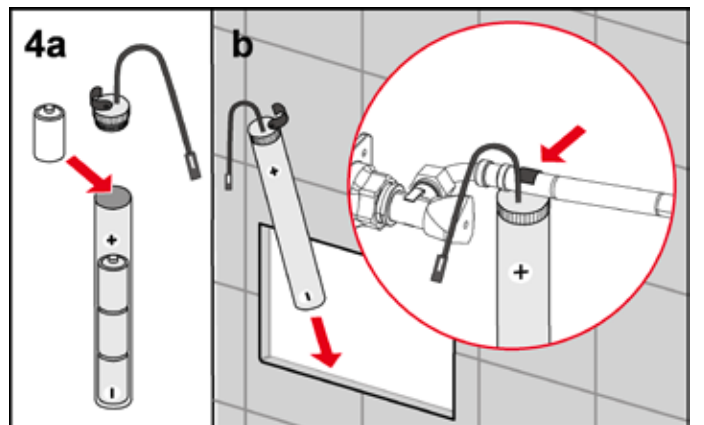
First remove the splash guard with the flush plate – this will no longer be required. Open the corner valve and sufficiently flush out the pipe.



Turn the corner valve to close it again and connect the reinforced hose to the filling valve. If you wish to fill the cistern with water (e.g. for the initial operation), you must open the corner valve again.



Then adjust the drain valve to the toilet electronics: on newer cisterns installed after mid/end of 2009, the red pull rod of the valve must be replaced by a black one (fig. 3 – A2).

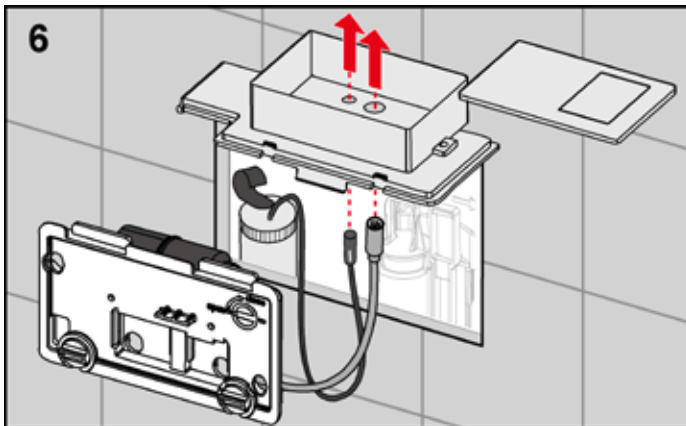
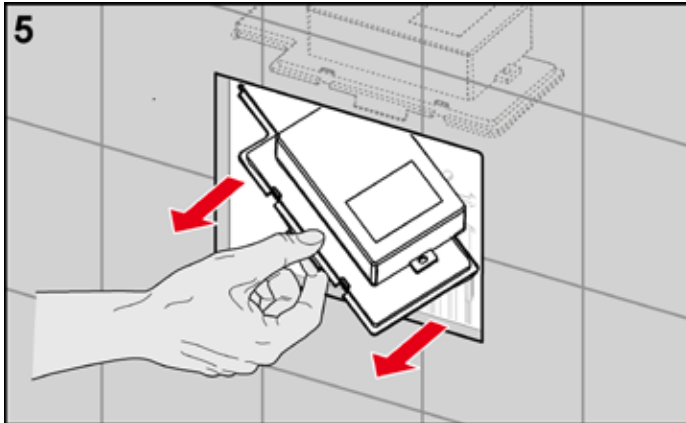


Place the four batteries in the housing and hang the waterproof battery compartment on the reinforced hose in the cistern.

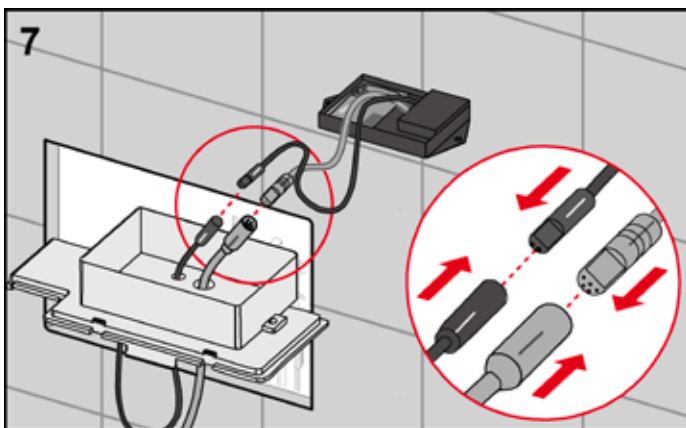
## TECE flush plates – TECEplanus electronics, remote release

The subsequent work steps differ depending on the installed toilet module: Either a TECE Geronto module with conduits for cabling and an installation box for housing the electronics, or a different TECE module without conduits, will be installed.

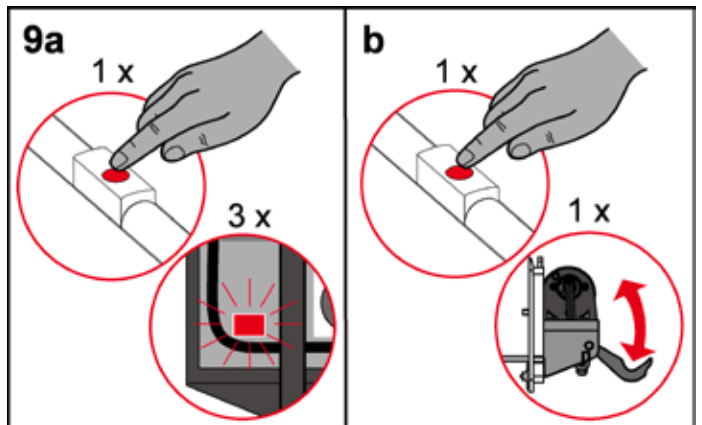
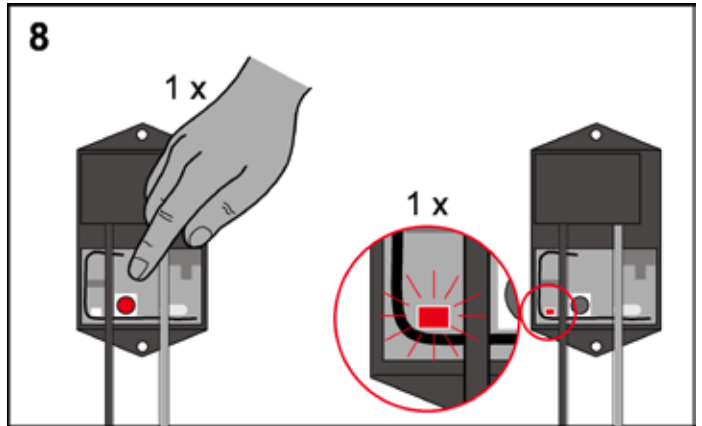
### ... Geronto module with conduits



Open the cistern cover and remove it with the installation box. Guide the battery connections and actuation motor from beneath through the openings in the bottom of the box.

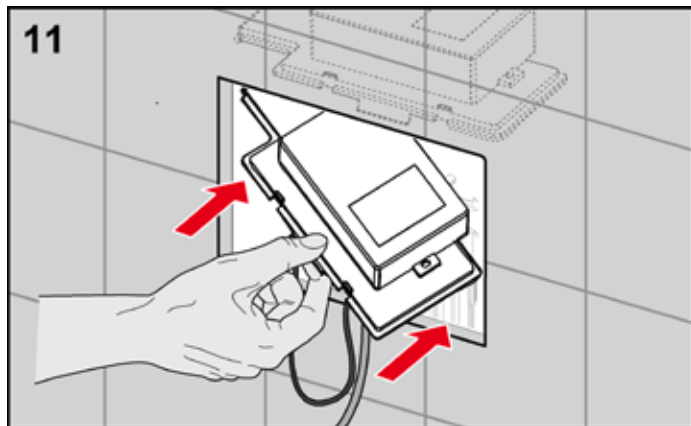
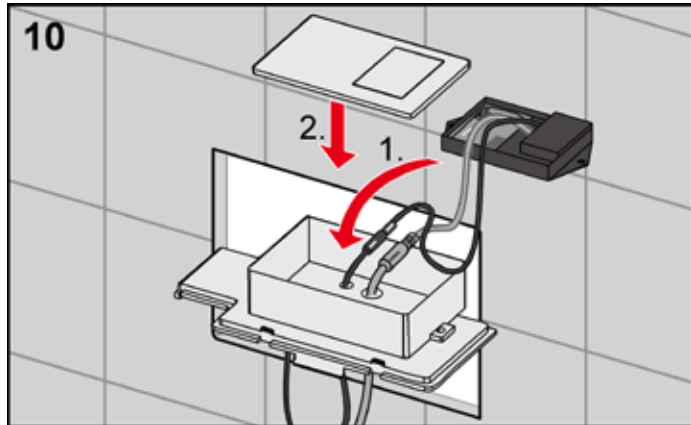


Connect the radio electronics first to the motor (black plug) and then also to the batteries (grey plug). If the installation is correct, the motor will be activated once for checking purposes.

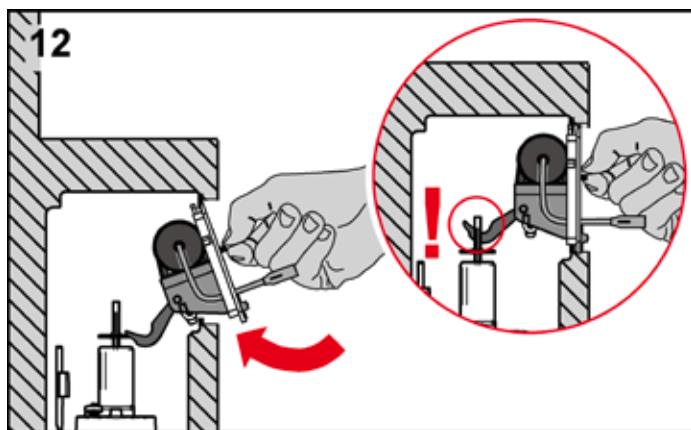


After installing the radio receiver, it must be coordinated with the signal from the switch on the safety arm support. To do this, press the blue button on the receiver electronics, the LED next to it will now briefly light up once (fig. 8). After this, the receiver is ready for reception for one minute. During this time, press the button on the safety arm support once to establish a connection with the receiver electronics. If successfully connected, after activating the switch, the control LED on the receiving unit will flash three times.

Now check that the motor is functioning correctly. To do this, press the button again to activate the motor once.



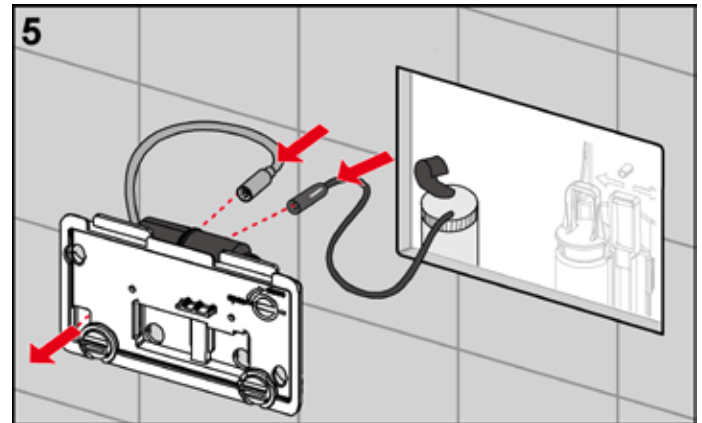
Place the electronics in the installation box, seal and place back in the cistern.



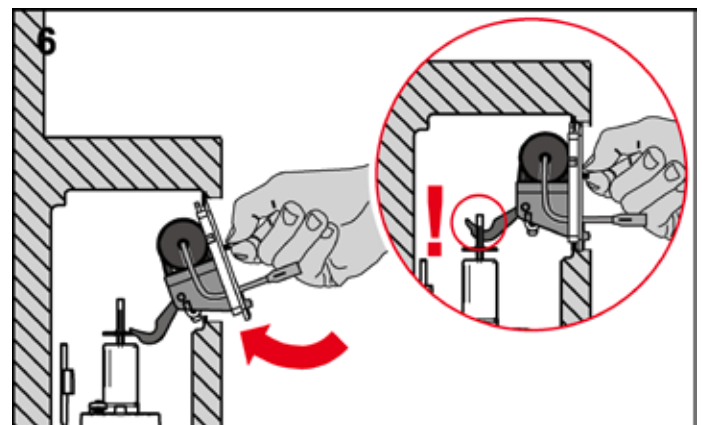
Insert the splash guard for the electronics with the actuation motor. The activation hooks must fit correctly in the drain valve's drawbar eyelets. Tighten the splash guard clamping screws.

Finally, install the flush plate.

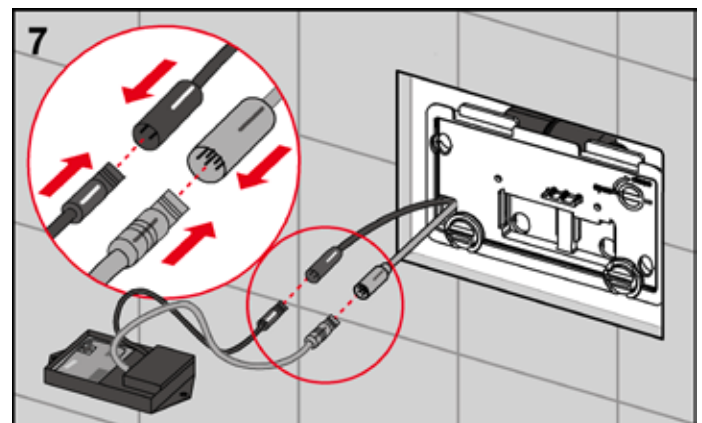
... Toilet module (dry-wall and brick-wall) without conduits



Guide the cable for the actuation motor and battery through the opening in the splash guard so that it is easier to connect in the next step.

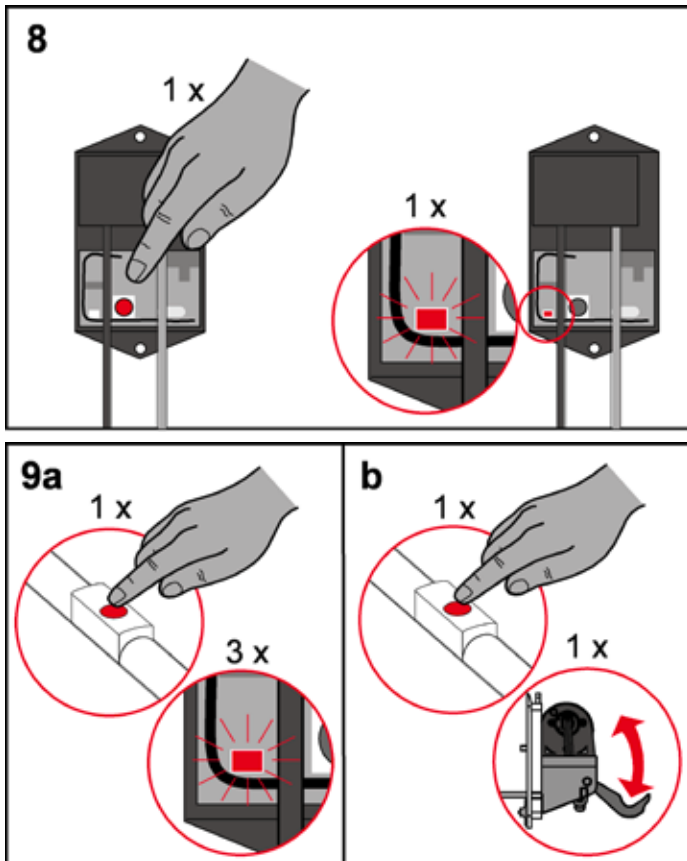


Insert the splash guard for the electronics with the actuation motor. The activation hooks must fit correctly in the drain valve's drawbar eyelets. Tighten the splash guard clamping screws.

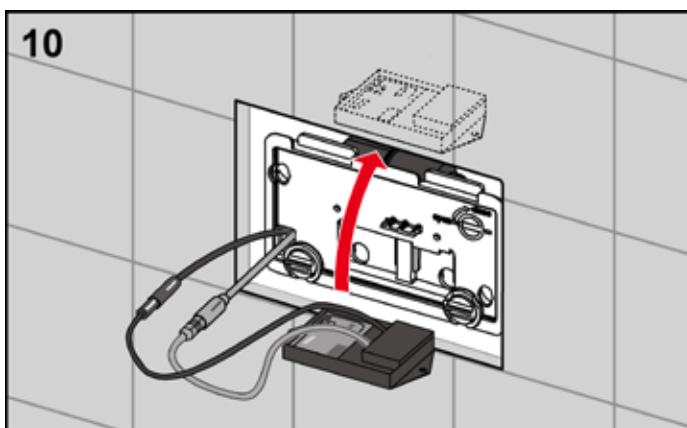


Connect the radio electronics first to the motor (grey plug) and then also to the batteries (black plug). If the installation is correct, the motor will be activated once for checking purposes.

## TECE flush plates – TECEplanus electronics, remote release

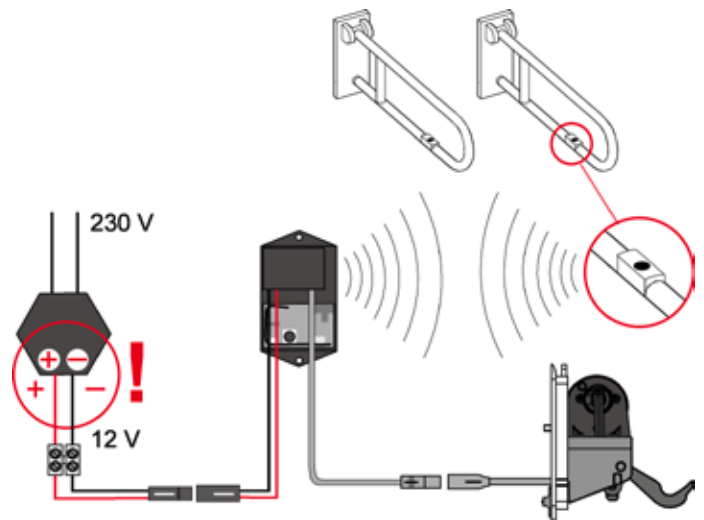


After installing the radio receiver, it must be coordinated with the signal from the button on the safety arm support. To do this, press the blue button on the receiver electronics, the LED next to it will then briefly light up once (fig. 8). After this, the receiver is ready for reception for one minute. During this time, press the button on the safety arm support once to establish a connection with the receiver electronics. If successfully connected, after activating the switch, the control LED on the receiving unit will flash three times. Now check that the motor is functioning correctly. To do this, press the button again to activate the motor once.



Install the electronics on the cistern or in another suitable location in the wall. Finally, install the flush plate.

### Toilet electronics, remote release, 12 V mains



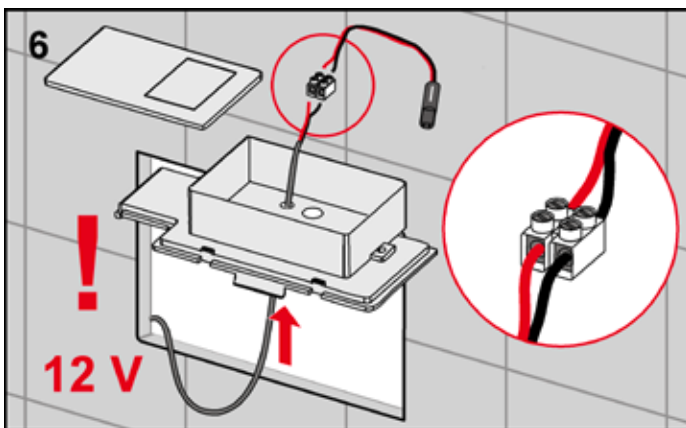
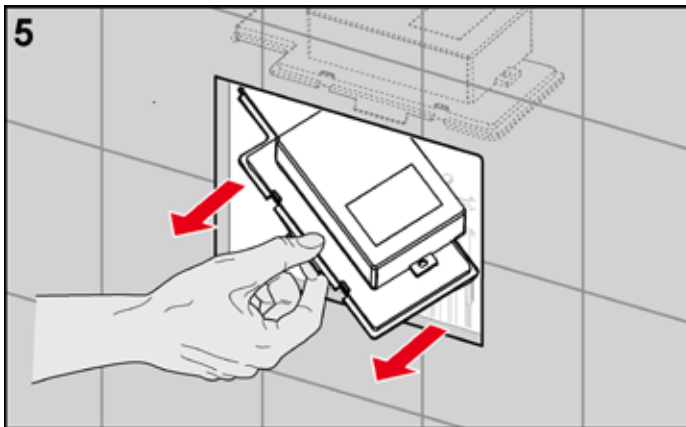
The radio signal sent when the radio switch is activated is received by a radio receiver. This receiving unit operates the power circuit to trigger the actuation motor. To connect the 12 V mains variant, the power supply must be transformed to 12 V DC by a TECE transformer (order transformer separately: order no. 9810003).

### Installing the toilet electronics, remote release, 12 V mains

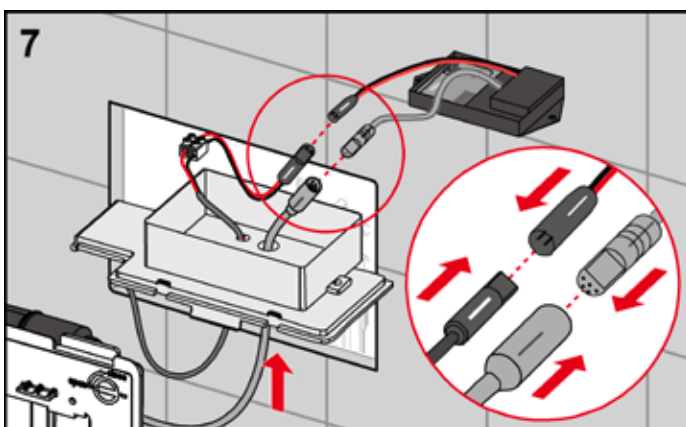
When installing the toilet electronics with remote release, proceed as for installing the battery variant: Open the splash guard, sufficiently flush out the pipe, and adjust the drain valve (see also: Installing the toilet electronics, remote release, 6 V battery).

The additional work steps also differ for this installation depending on the type of toilet module installed: Either a TECE Geronto module with conduits for cabling and an installation box for housing the electronics, or a different TECE module without conduits, will be installed.

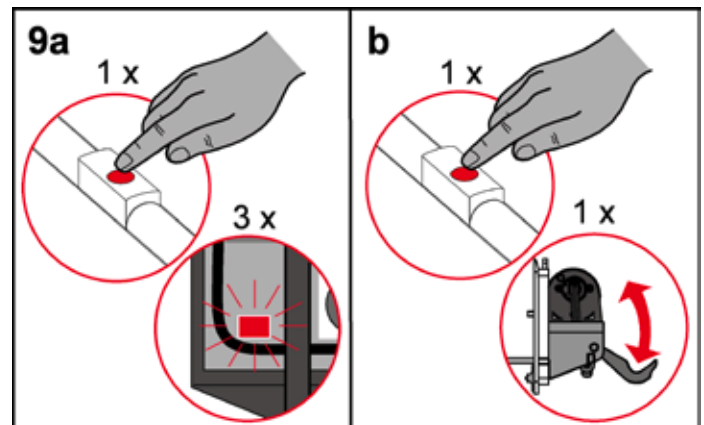
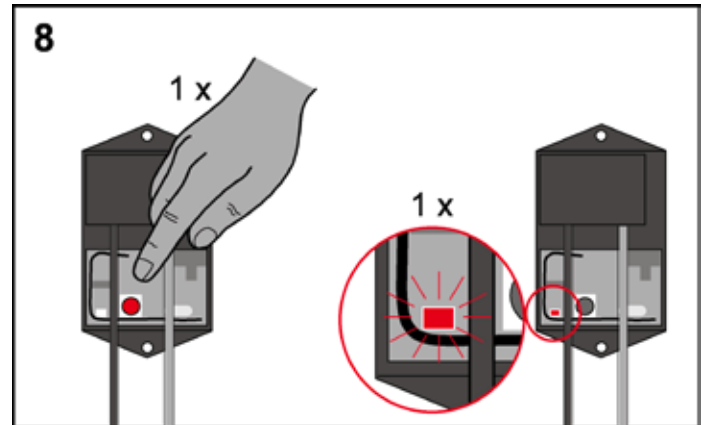
## ... Geronto module with conduits



Open the cistern cover and remove it with the installation box. Guide the (12 V) transformer cable from beneath through the opening in the bottom of the box and connect it to the mains connection adapter (ensure correct polarity – see details in fig. 6).



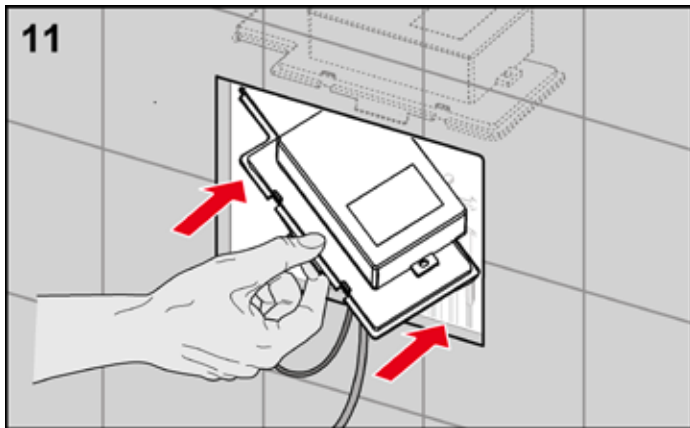
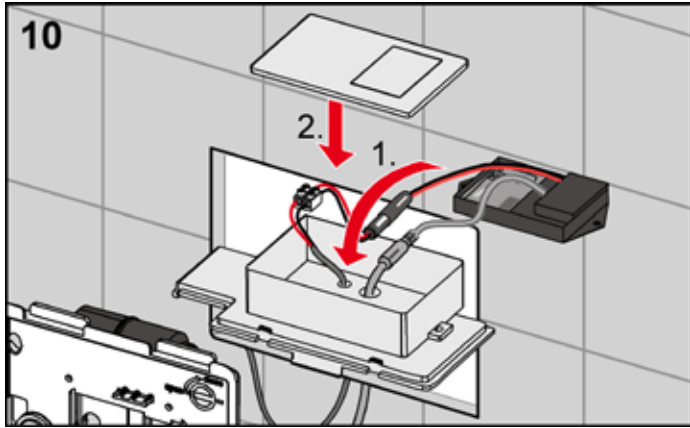
Connect the radio electronics first to the motor (grey plug) and then also to the batteries (black plug). If the installation is correct, the motor will be activated once for checking purposes.



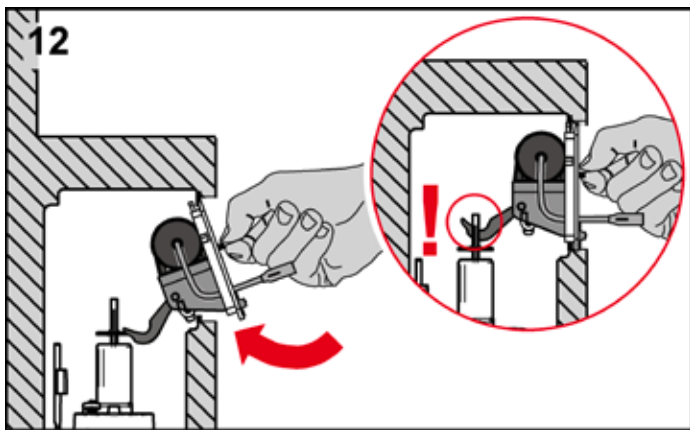
After installing the radio receiver, it must be coordinated with the signal from the button on the safety arm support. To do this, press the blue button on the receiver electronics, the LED next to it will then briefly light up once (fig. 8). After this, the receiver is ready for reception for one minute. During this time, press the button on the safety arm support once to establish a connection with the receiver electronics. If successfully connected, after activating the switch, the control LED on the receiving unit will flash three times.

Now check that the motor is functioning correctly. To do this, press the button again to activate the motor once.

# TECE flush plates – TECEplanus electronics, remote release



Place the electronics in the installation box, seal and place back in the cistern.

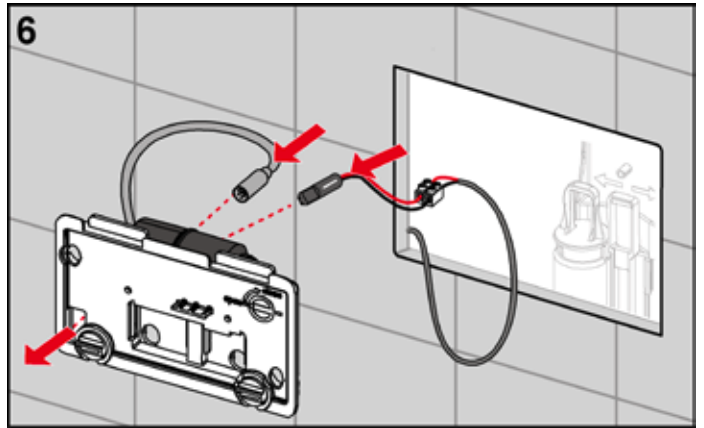


Insert the splash guard for the electronics with the actuation motor. The activation hooks must fit correctly in the drain valve's drawbar eyelets. Tighten the splash guard clamping screws. Finally, install the flush plate.

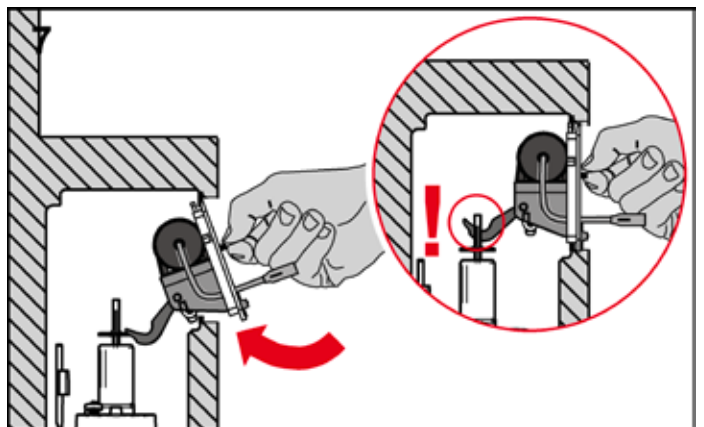
... Toilet module (dry-wall and brick-wall) without conduits



Connect the cable coming out of the transformer to the mains connection adapter (ensure correct polarity – see details in fig. 5).

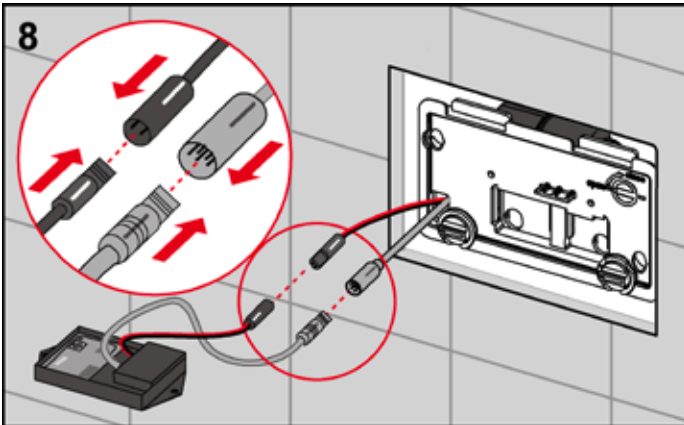


Guide the cable from the actuation motor and the power supply through the opening on the bottom left of the splash guard.



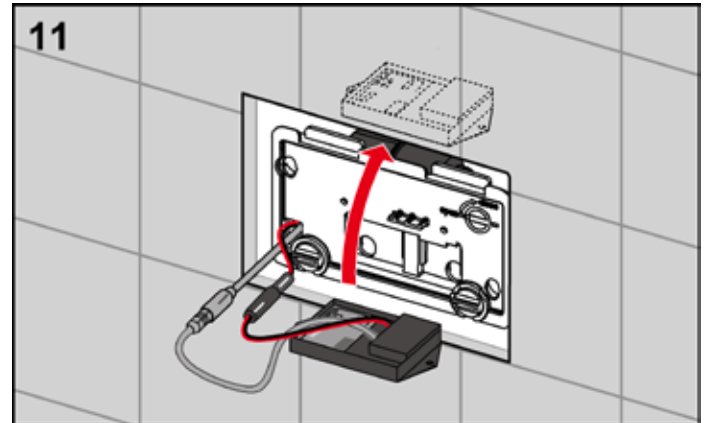
Then, insert the splash guard with the actuation motor. The activation hooks must fit correctly in the drain valve's drawbar eyelets. Tighten the splash guard clamping screws.



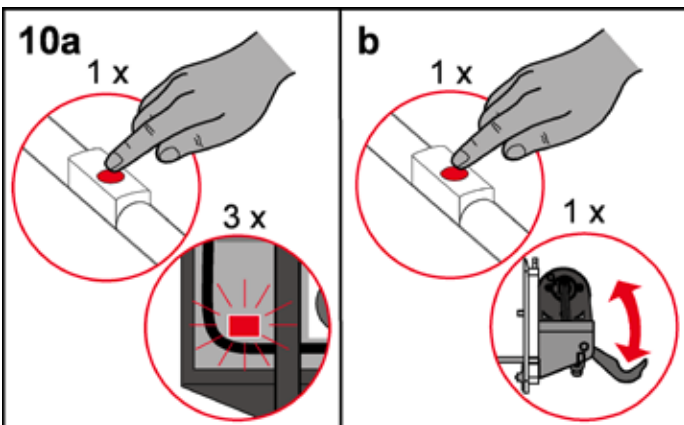
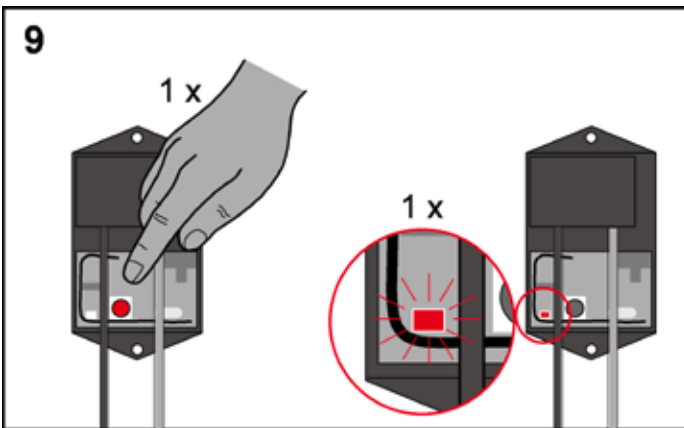


Connect the radio electronics first to the motor (grey plug) and then also to the batteries (black plug). If the installation is correct, the motor will be activated once for checking purposes.

Now check that the motor is functioning correctly. To do this, press the button again to activate the motor once.



Install the electronics on the cistern or in another suitable location in the wall. Finally, install the flush plate.

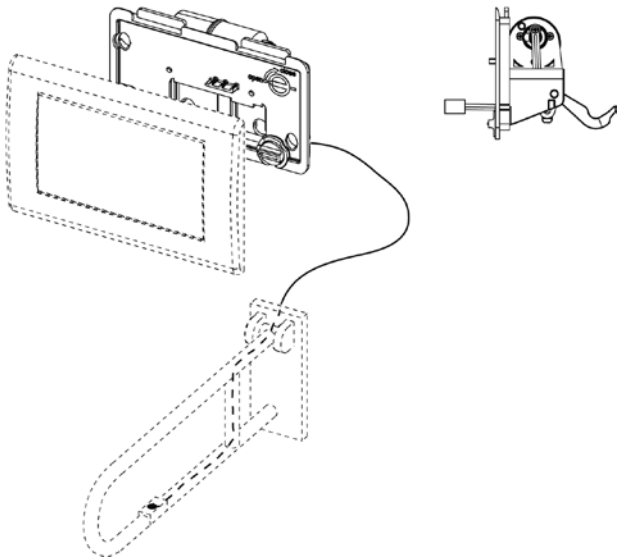


After installing the radio receiver, it must be coordinated with the signal from the button on the safety arm support. To do this, press the blue button on the receiver electronics, the LED next to it will then briefly light up once (fig. 8). After this, the receiver is ready for reception for one minute. During this time, press the button on the safety arm support once to establish a connection with the receiver electronics. If successfully connected, after activating the switch, the control LED on the receiving unit will flash three times.

## TECE flush plates – TECEplanus electronics, cable-connected remote release

### TECEplanus electronics, cable-connected remote release

Another solution when using safety support arms is to install a cable-connected variant whereby a cable-connected switch is mounted on the safety support arm.



#### Power options for toilet electronics with cable-connected remote release

- Mains variant:  
The TECE transformer (order no. 9810003, order separately) transforms 230 V AC to 12 V DC.
- Battery operation:  
1 x Lithium 2CR5 – 6 V (scope of supply)

Based on a service life of two years, the battery lasts for

- 20,000 flushes or
- approx. 27 flushes/day.

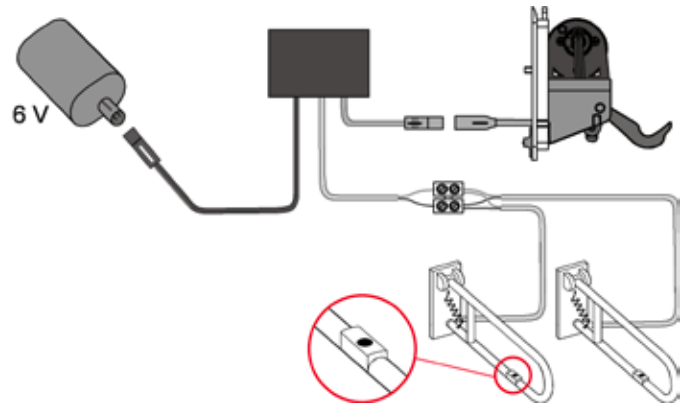
Alternatively, the battery can also be operated by 4 mono cells (LR20). This increases durability to 220,000 flushes or 300 flushes/day. For this, in addition to batteries, you also require another battery housing (order no. 9820202).

#### Observe the following:

A transformer must be used for the 12 V mains variant. A suitable place for this (flush-mounted socket or other) must be provided for the purpose as it must not be positioned next to the flush plate under any circumstances.

A flush plate is not included in the scope of supply. Any single-flush system can be used with the remote release, and all two-flush systems are possible too (e.g. TECE-loop, TECESquare). However, the largest flush volume will only ever be activated, even if both actuating rods were installed during installation.

### Toilet electronics, cable-connected remote release, 6 V battery



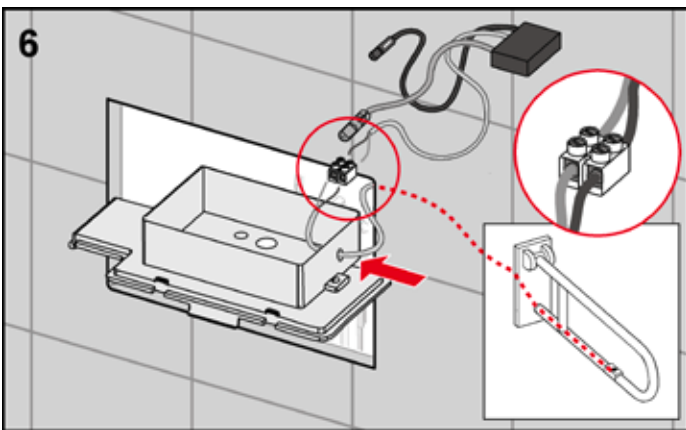
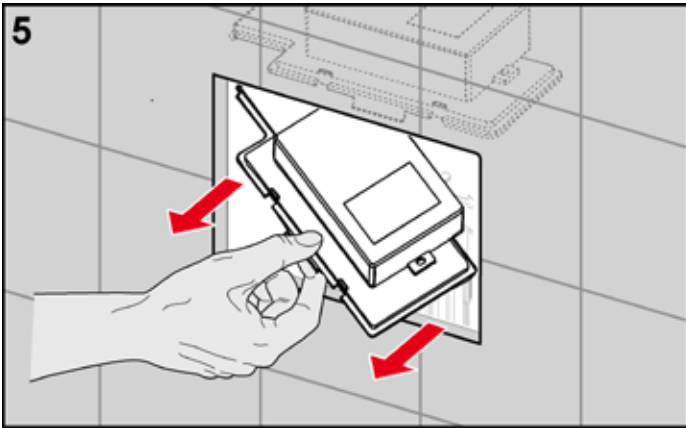
When the electric circuit to the switch on the safety support arm is closed, the flush is activated. In addition to the electrical supply, the switch on the safety support arm and the actuation motor, an additional electronic component must also be installed between the different components. Power is supplied by a 6 V battery.

### Installing the toilet electronics, cable-connected remote release, 6 V battery

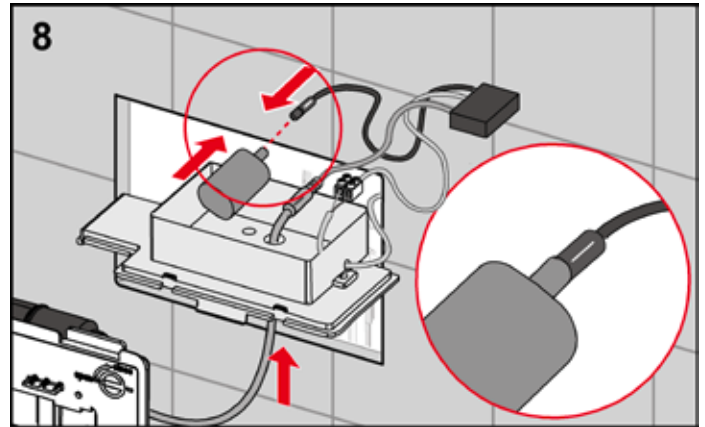
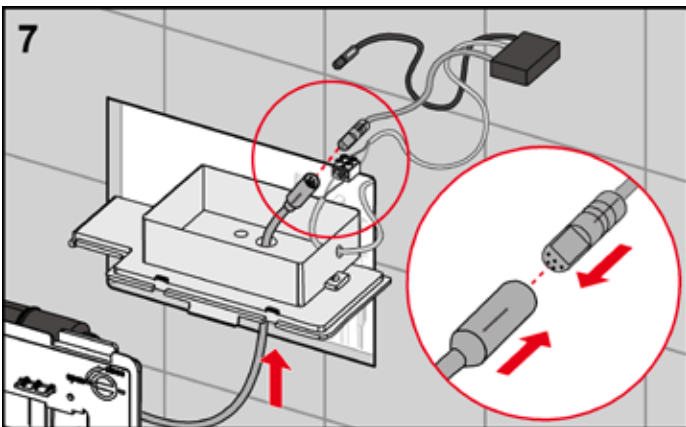
When installing the toilet electronics with cable-connected remote release, proceed as for the remote release: Open the splash guard, sufficiently flush out the pipe, and adjust the drain valve (see also: Installing the toilet electronics, remote release, 6 V battery).

The subsequent work steps differ depending on the installed toilet module: Either a TECE Geronto module with conduits for cabling and an installation box for housing the electronics, or a different TECE module without conduits, will be installed.

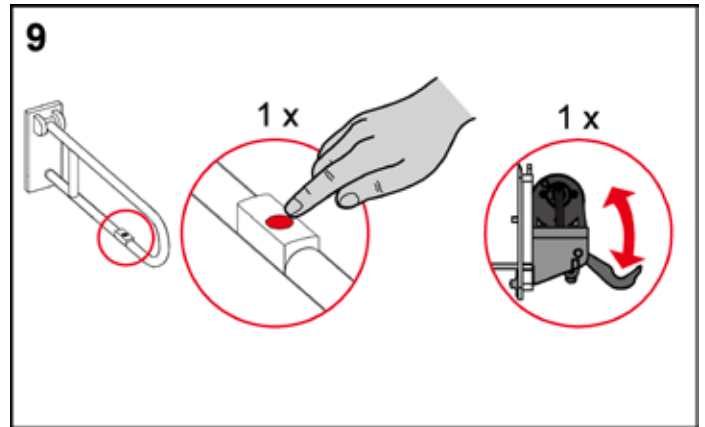
... Geronto module with conduits



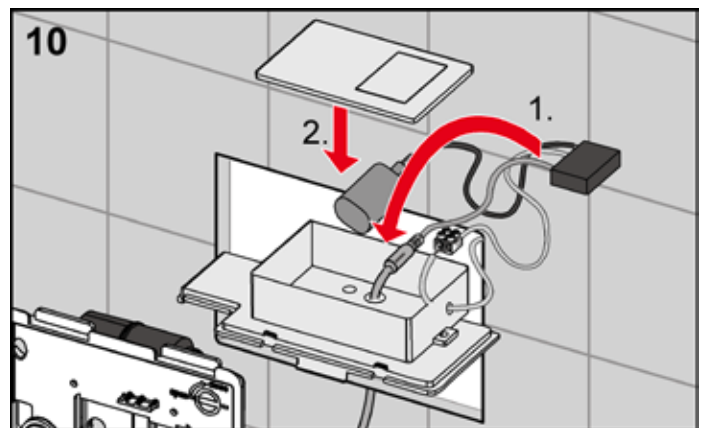
Open the cistern cover and remove it with the installation box. Guide the cable from the switch on the safety support arm from the side into the box and connect it to the electronics (terminal strip – ensure correct polarity).



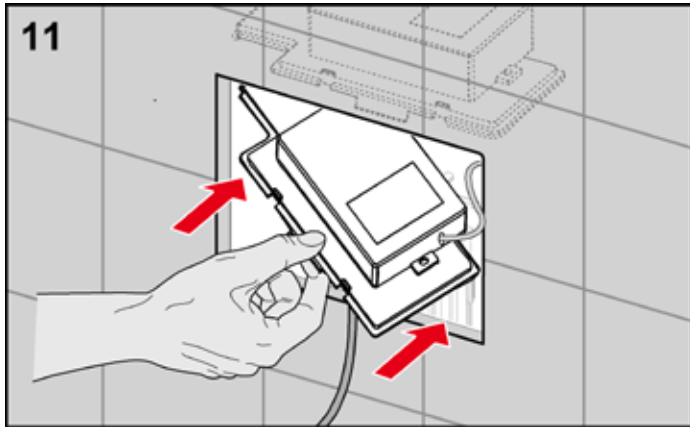
Connect the electronics first to the motor (black plug) and then to the batteries (grey plug). If the installation is correct, the motor will be activated once for checking purposes.



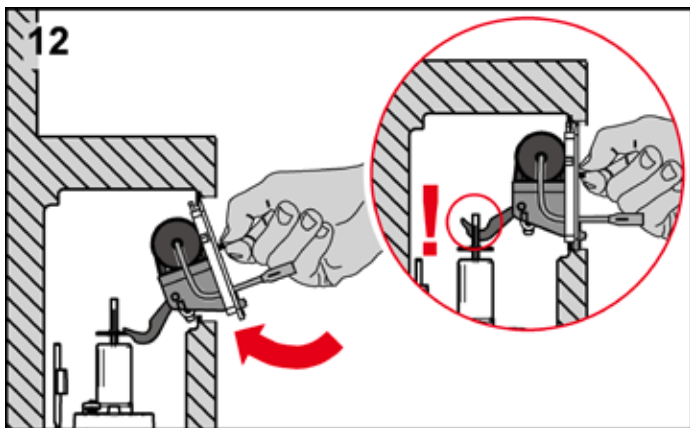
Now check that the function is working: To do this, press the button again to activate the motor (once).



# TECE flush plates – TECEplanus electronics, cable-connected remote release

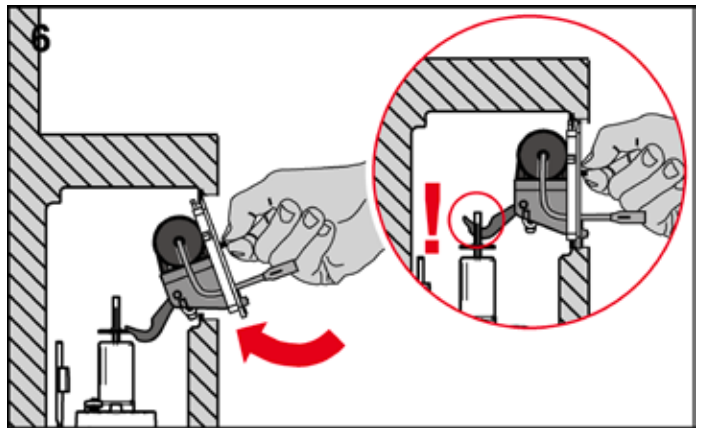
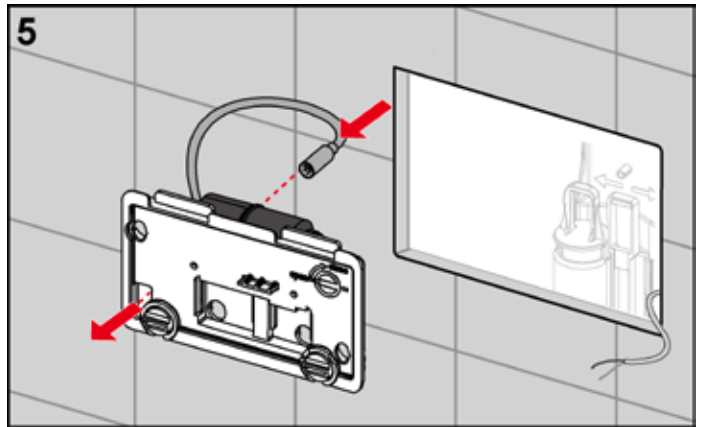


11 Place the electronics and the battery in the installation box, seal and place back in the cistern.



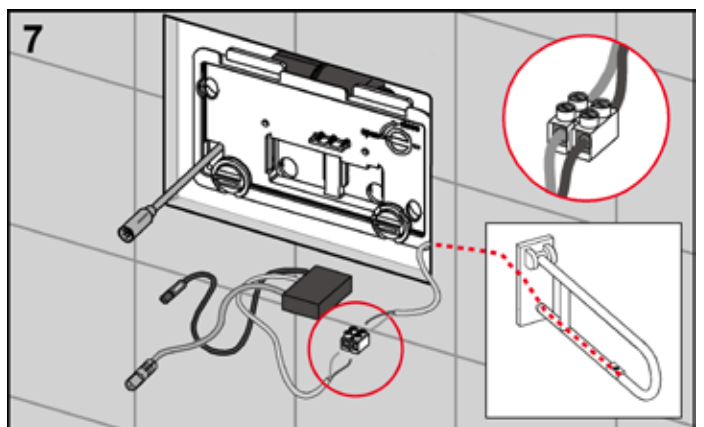
12 Insert the splash guard for the electronics with the actuation motor. The activation hooks must fit correctly in the drain valve's drawbar eyelets. Tighten the splash guard clamping screws. Finally, install the flush plate.

... Toilet module (dry-wall and brick-wall) without conduits

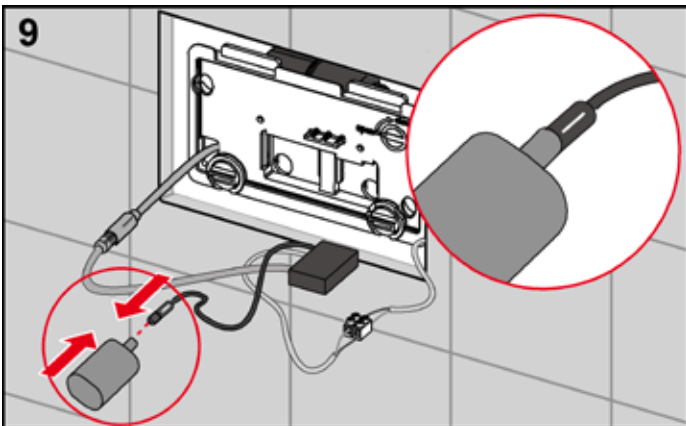
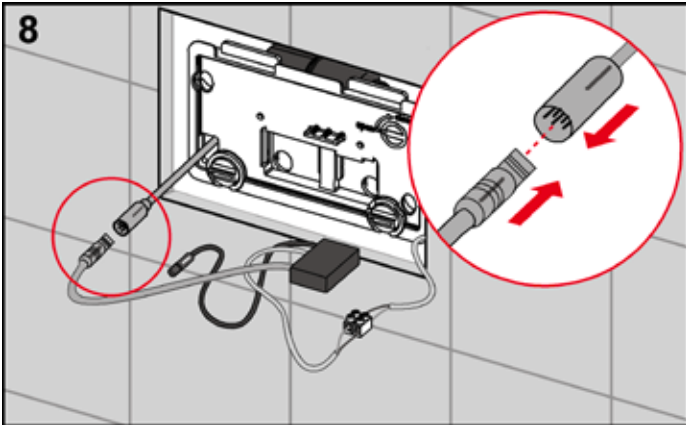


6 Guide the actuation motor cable through the opening in the splash guard.

Then, insert the splash guard for the electronics with the actuation motor. The activation hooks must fit correctly in the drain valve's drawbar eyelets. Tighten the splash guard clamping screws.

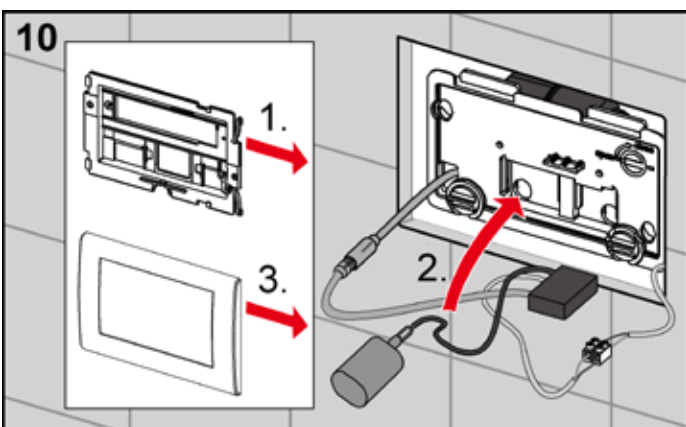


7 Connect the cable from the switch on the safety support arm to the electronics (terminal strip). Ensure correct polarity.



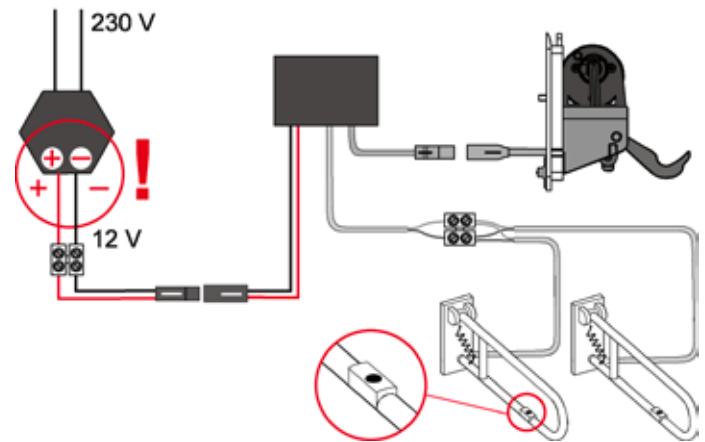
Then, connect the electronics first to the motor (grey plug) and then also to the batteries (black plug). If the installation is correct, the motor will be activated once for checking purposes.

Now check that the electronics are functioning correctly: to do this, press the button again to activate the motor (once).



Mount the flush plate support frame and install the electronics and the batteries in a suitable location (e.g. between the support frame and the flush plate). Finally, install the flush plate.

## Toilet electronics, cable-connected remote release, 12 V mains



When the electric circuit to the switch on the safety support arm is closed, the flush is activated. In addition to the electrical supply, the switch on the safety support arm and the actuation motor, an additional electronic component must also be installed between the different components. To connect the 12 V mains variant, the power supply must be transformed to 12 V DC by a TECE transformer (order transformer separately: order no. 9810003).

## Installing the toilet electronics, cable-connected remote release, 12 V mains

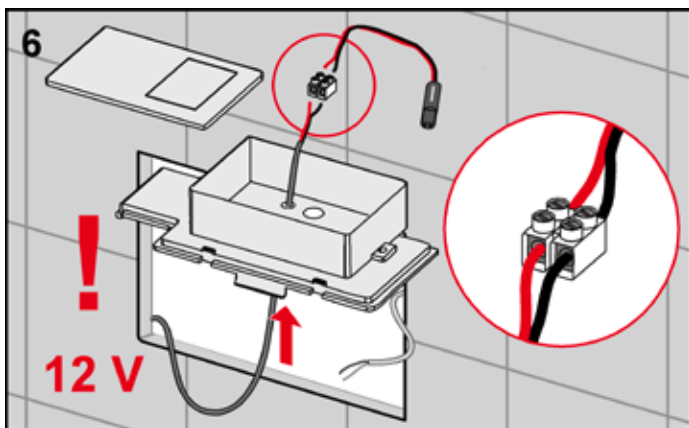
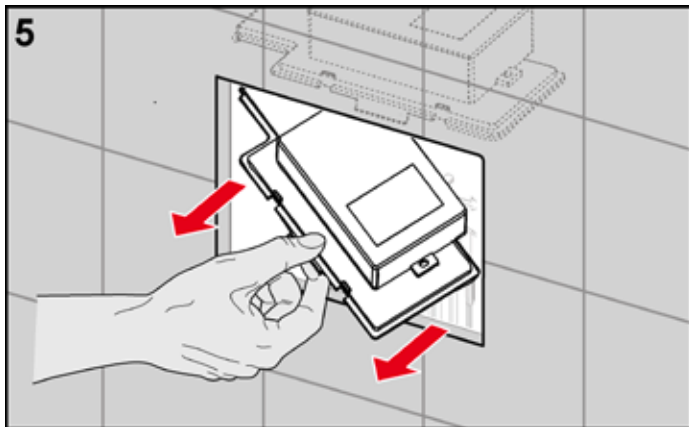
To start with, the toilet electronics with cable-connected remote release are installed in the same way as the remote release:

Open the splash guard, sufficiently flush out the pipe, and adjust the drain valve (see also: Installing the toilet electronics, remote release, 6 V battery).

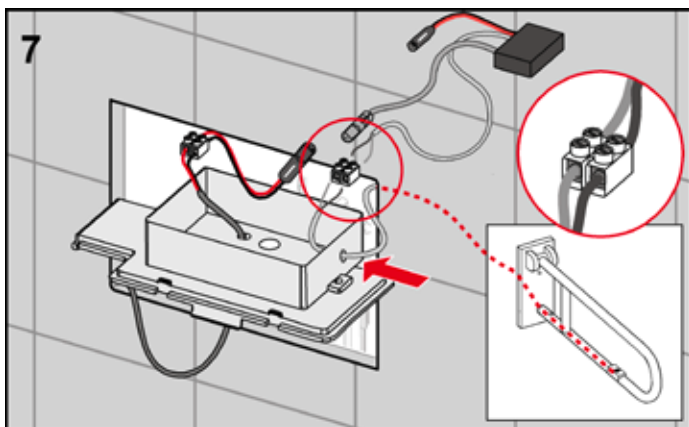
The subsequent work steps differ depending on the installed toilet module: Either a TECE Geronto module with conduits for cabling and an installation box for housing the electronics, or a different TECE module without conduits, will be installed.

# TECE flush plates – TECEplanus electronics, cable-connected remote release

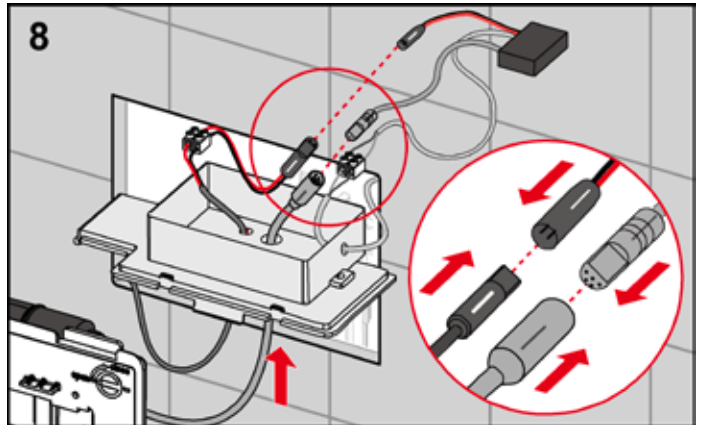
... Geronto module with conduits



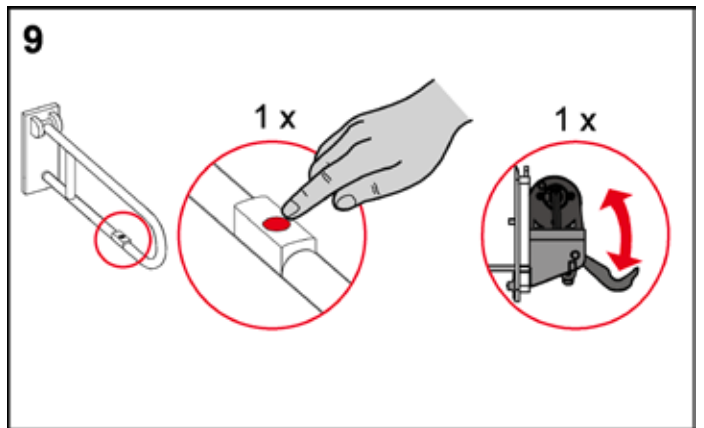
Open the cistern cover and remove it with the installation box. Guide the cable from the transformer through the bottom opening and connect it to the mains connection adapter (ensure correct polarity – see details in fig. 6).



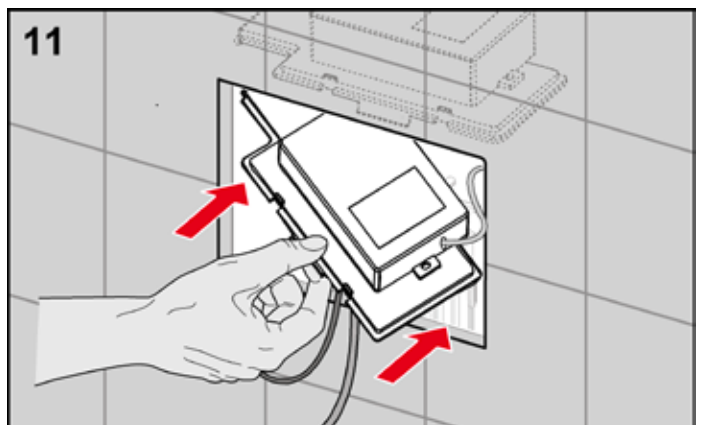
Guide the cable from the switch on the safety support arm from the side into the box and connect it to the electronics (terminal strip). Ensure correct polarity.



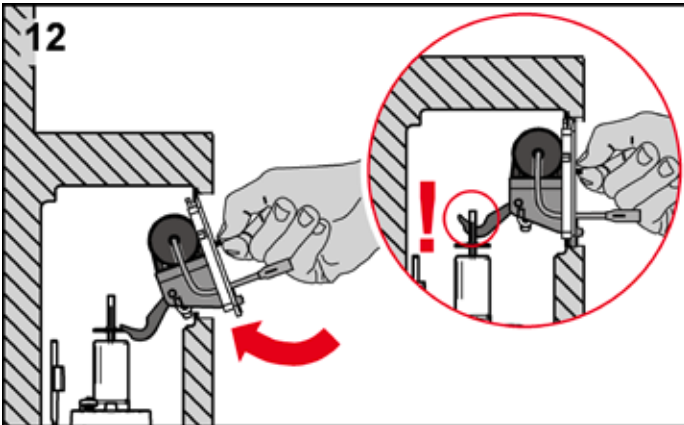
Then connect the electronics first to the motor (grey plug) and then also to the batteries (black plug). If the installation is correct, the motor will be activated once for checking purposes.



Now check that the electronics are functioning correctly: To do this, press the button again to activate the motor (once).



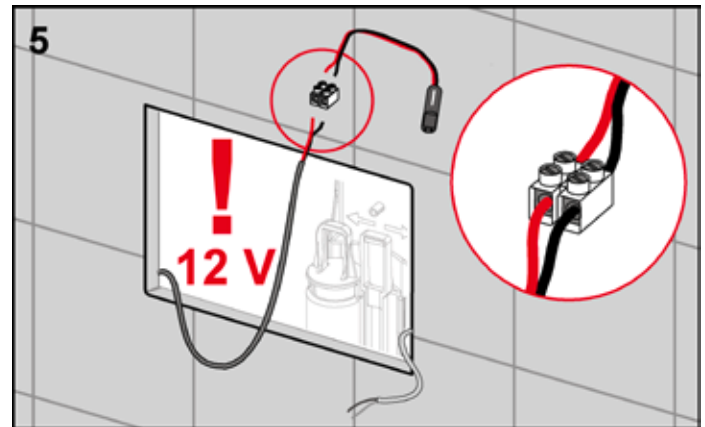
Place the electronics in the installation box, seal and place back in the cistern.



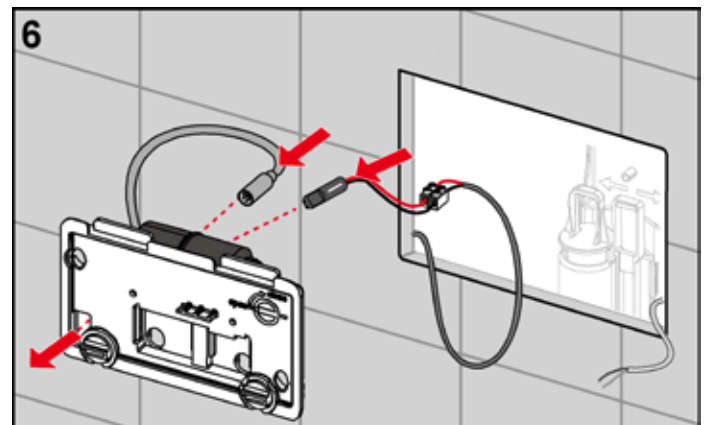
Insert the splash guard for the electronics with the actuation motor. The activation hooks must fit correctly in the drain valve's drawbar eyelets. Tighten the splash guard clamping screws.

Finally, install the flush plate.

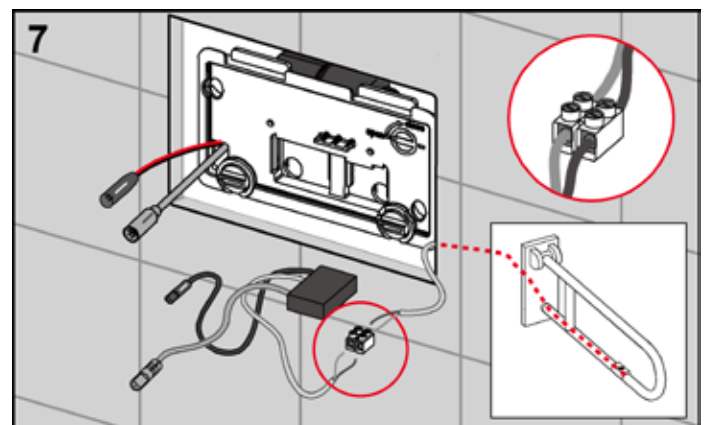
... Toilet module (dry-wall and brick-wall) without conduits



Connect the cable from the transformer to the mains connection adapter (ensure correct polarity – see details in fig. 5).

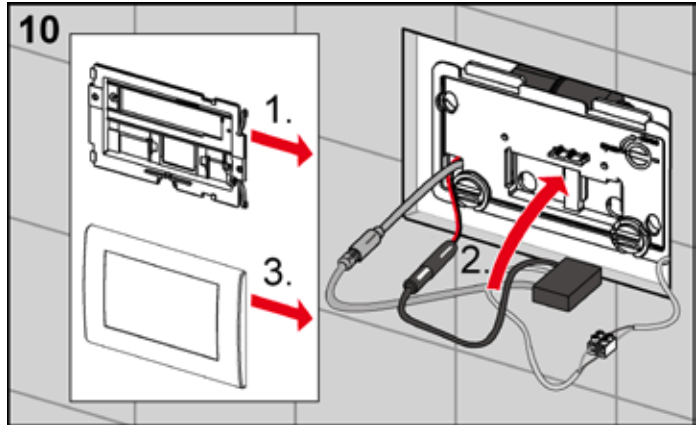
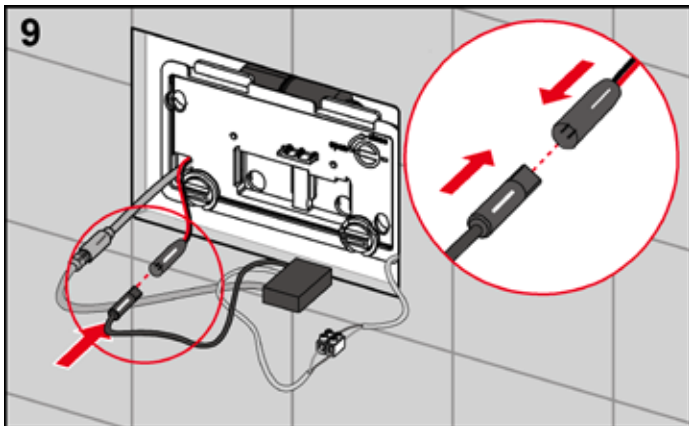
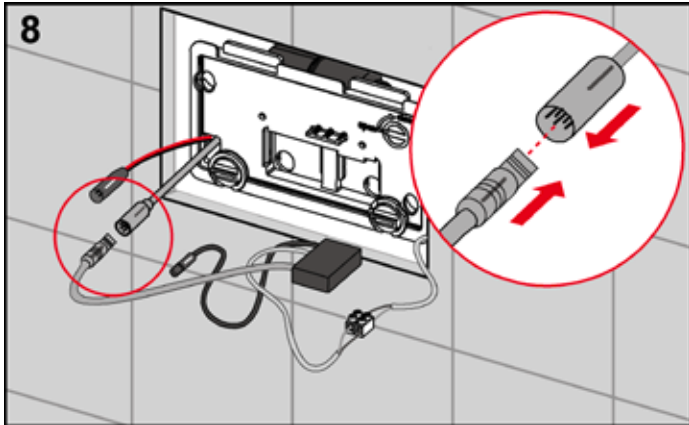


Guide the cable from the actuation motor and the power supply through the opening on the bottom left of the splash guard.



Then, insert the splash guard with the actuation motor. The activation hooks must fit correctly in the drain valve's drawbar eyelets. Tighten the splash guard clamping screws. Connect the cable from the switch on the safety support arm to the electronics (terminal strip). Ensure correct polarity.

## TECE flush plates – TECEplanus electronics, cable-connected remote release



Mount the flush plate support frame and install the electronics in a suitable location (e.g. between the support frame and the flush plate). Finally, install the flush plate.

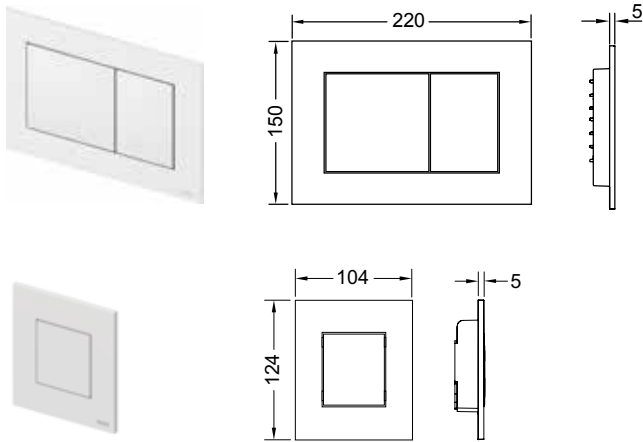
Then connect the electronics first to the motor (grey plug) and then also to the batteries (black plug). If the installation is correct, the motor will be activated once for checking purposes.

Now check that the electronics are functioning correctly: To do this, press the button again to activate the motor (once).



## TECEnow

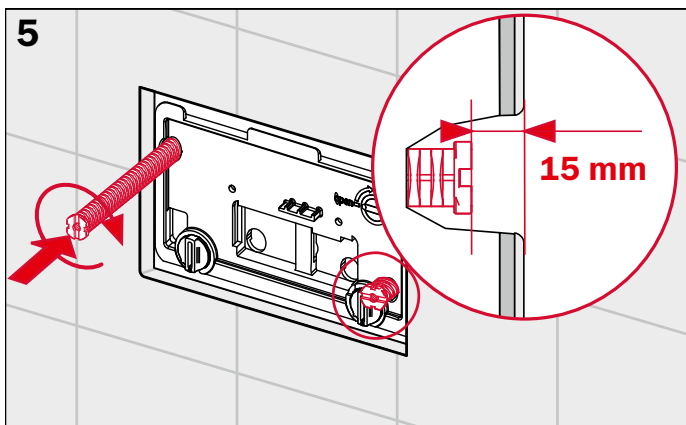
TECEnow toilet flush plates are extremely flat plastic flush plates with rubber-buffered actuation buttons. TECEnow flush plates also exist for urinals. They are suitable for flush-mounted installation in combination with the toilet installation frame and the TECEnow spacing frame.



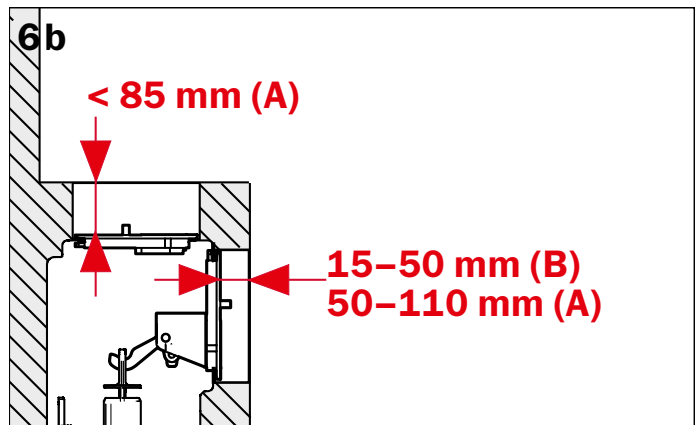
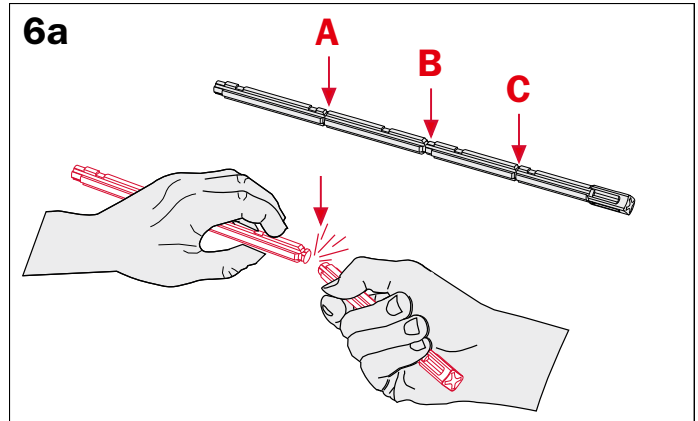
TECEnow toilet flush plate, dual-flush technology  
TECEnow urinal flush plate

## Wall-mounted installation of the toilet flush plate

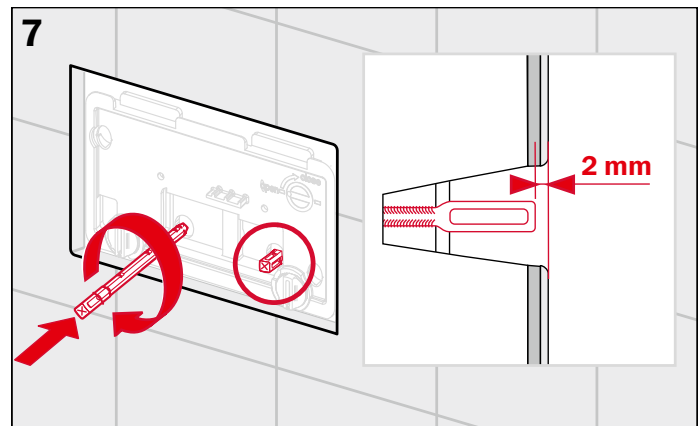
As with all TECE flush plates, the first four steps for installing the toilet flush plate are the same (for more information, see the section entitled “TECESquare, Installing the TECESquare II metal toilet flush plate”).



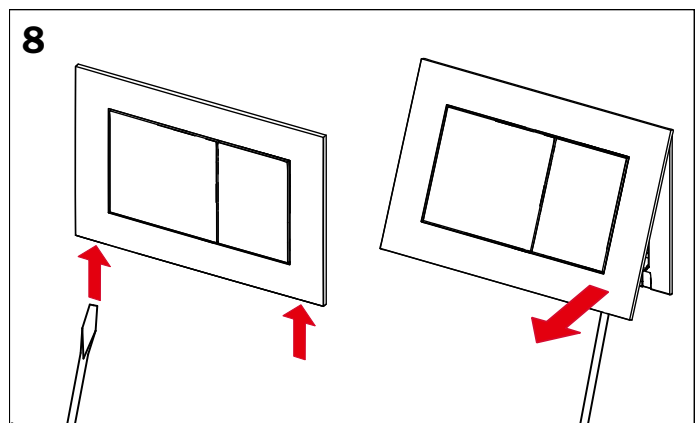
Screw in both attachment rods – distance of attachment rods to wall surface = 25 mm.



Break off the actuating rods according to the wall structure.

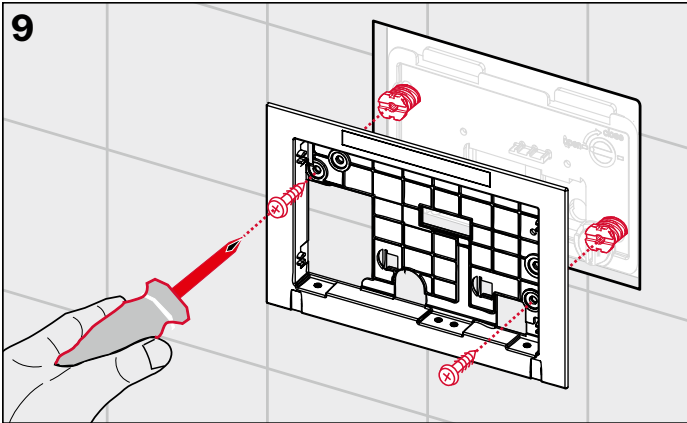


Screw in both actuating rods – distance of actuating rods to wall surface = 2 mm.

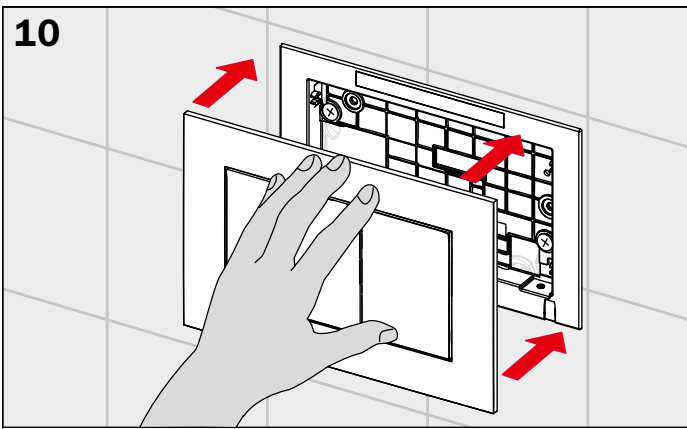


Separate the cover and the support frame.

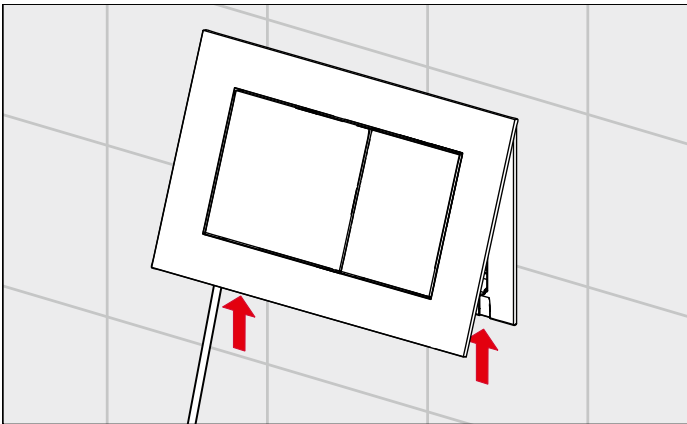
# TECE flush plates – TECEnow



Screw the support frame onto the attachment rods.



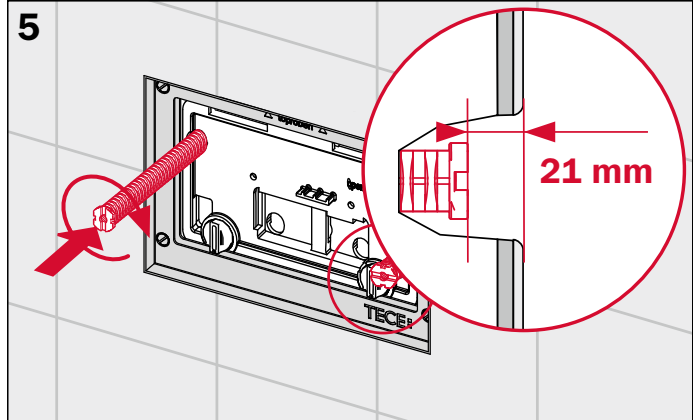
Allow the TECEnow flush plate to click into place in the support frame.



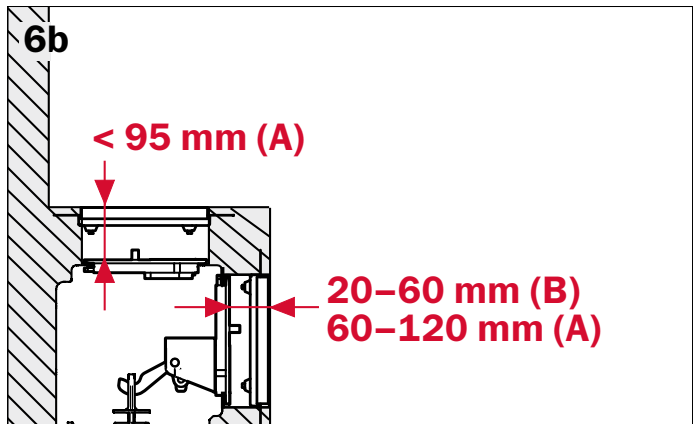
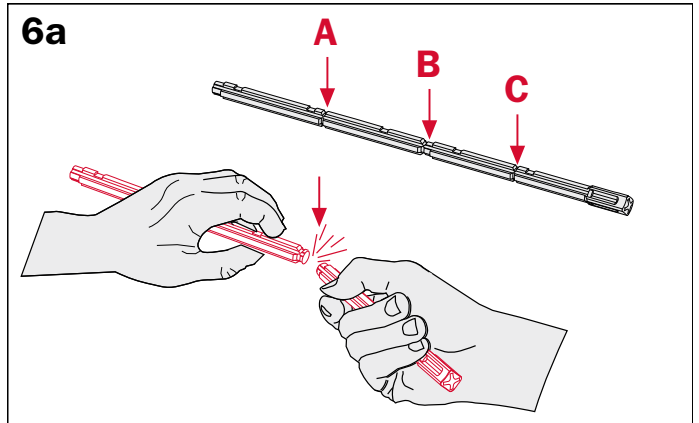
The installed cover can be detached from the flush plate using a screwdriver. To do this, insert the tool into the recesses on the underside of the flush plate and carefully remove the cover.

## Flush-mounted installation of the toilet flush plate

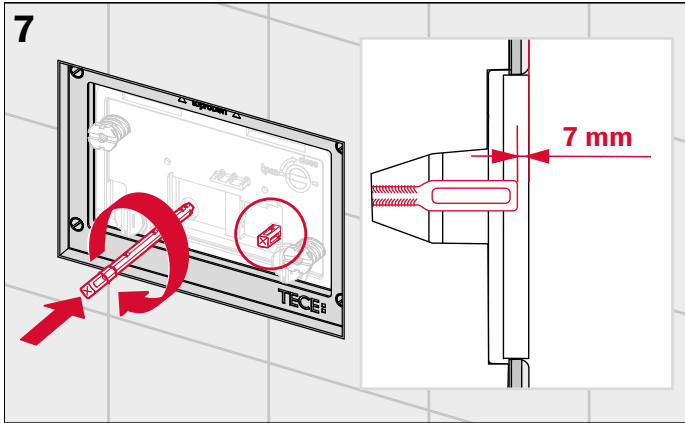
As with all TECE flush plates, the first four steps for installing the toilet flush plate are the same (for more information, see the section entitled “TECESquare, Installing the TECESquare II metal toilet flush plate”).



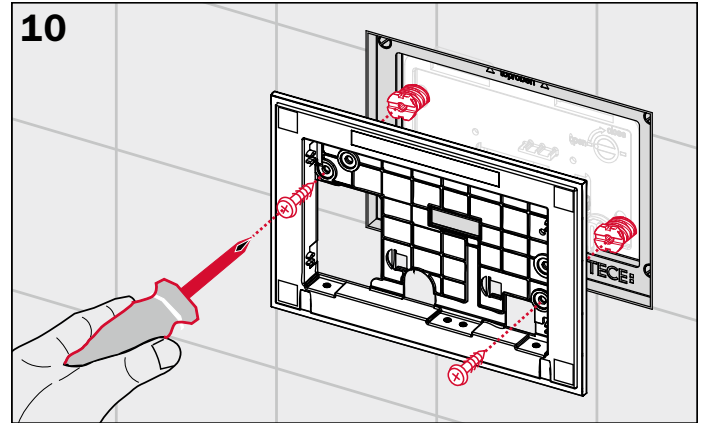
Screw in both attachment rods – distance of attachment rods to wall surface = 25 mm.



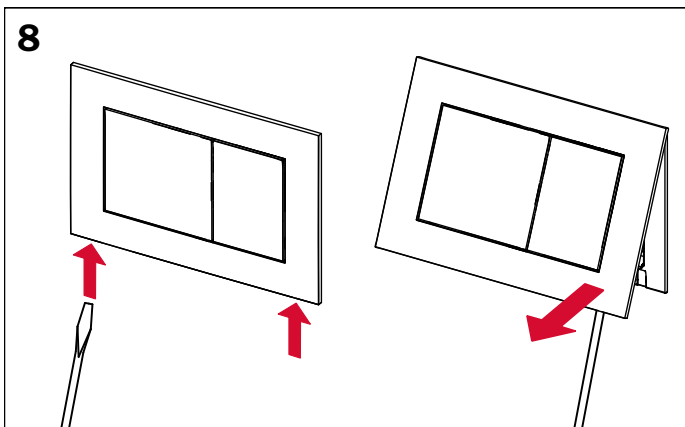
Break off the actuating rods according to the wall structure.



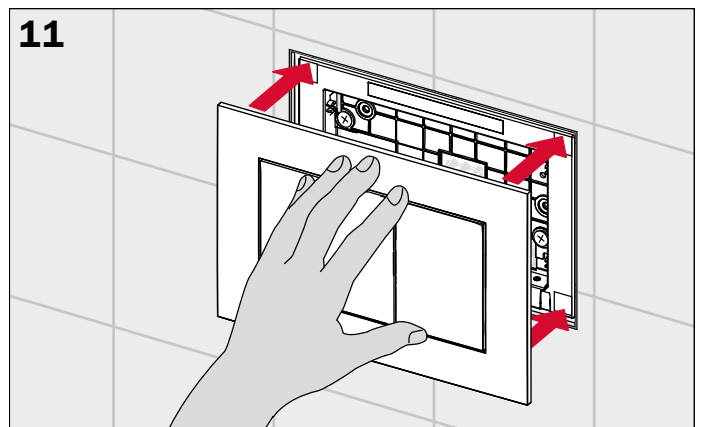
7 Screw in both actuating rods – distance of actuating rods to wall surface = 7 mm.



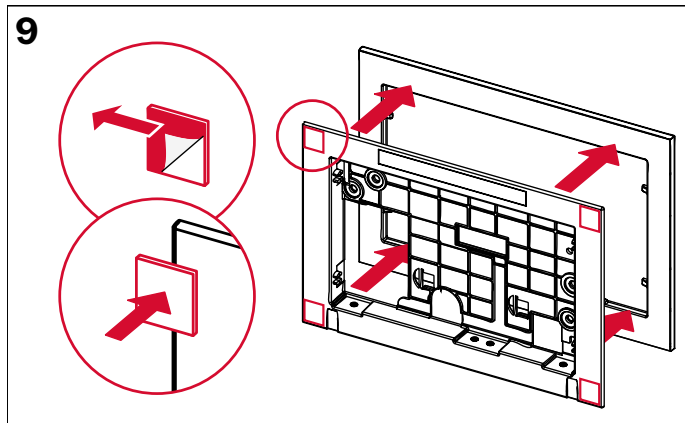
10 Screw the support frame onto the attachment rods.



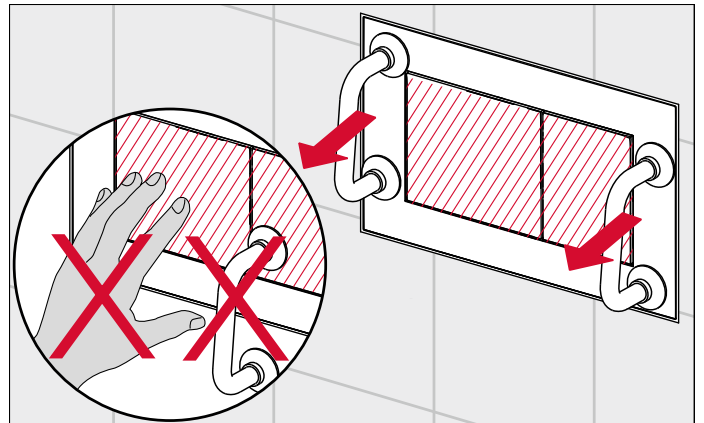
8 Separate the cover and the support frame.



11 Allow the TECEnow flush plate to click into place in the support frame.



9 Push the distance frame onto the support frame and stick the spacers onto the support frame.

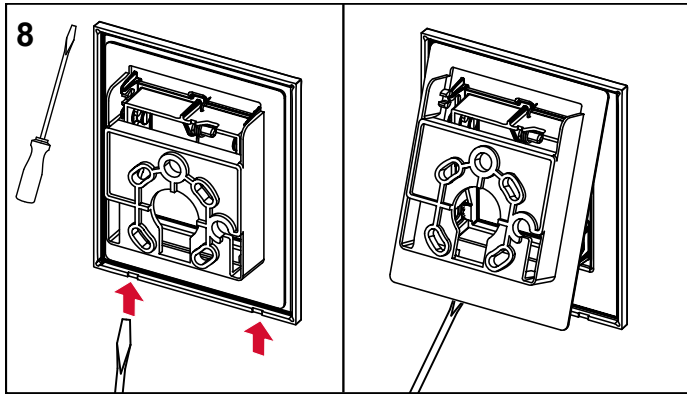


When mounting or dismantling the cover, do not press the button; the cover should only be removed using the suction handles.

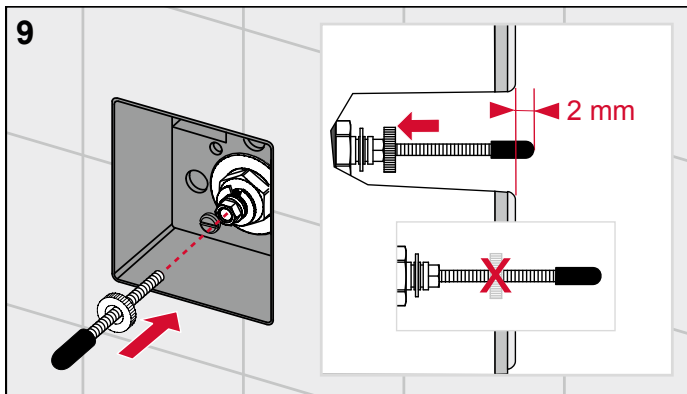
# TECE flush plates – TECEnow

## Installing the urinal flush plate

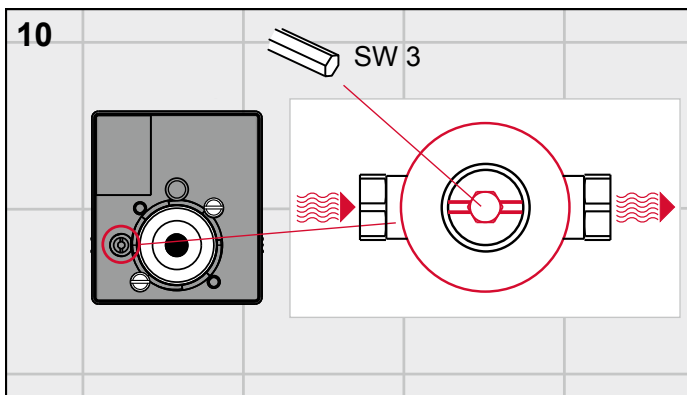
The first seven steps of the procedure for installing the urinal flush plate for the U 1 urinal flusher are the same for all (wall-mounted) TECE urinal flush plates – see “TECESquare – Wall-mounted installation of the glass urinal flush plate” for more information.



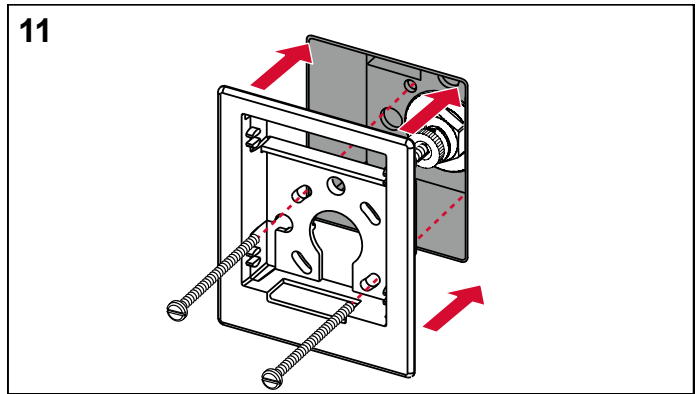
Separate the cover and the support frame.



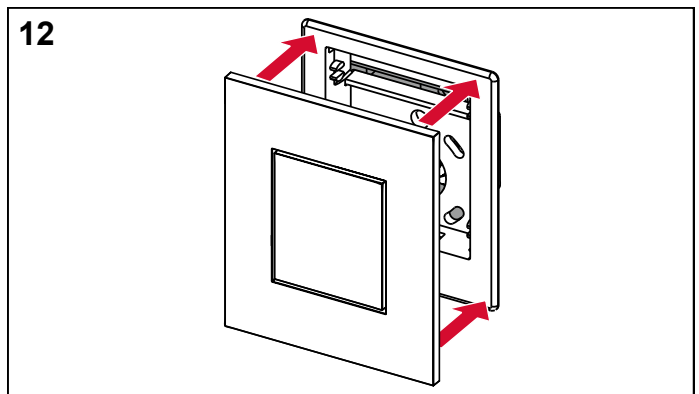
Screw in the actuating rods as described above (for the TECEnow, distance to wall surface = 2 mm) and screw on the counter nut to prevent them from turning.



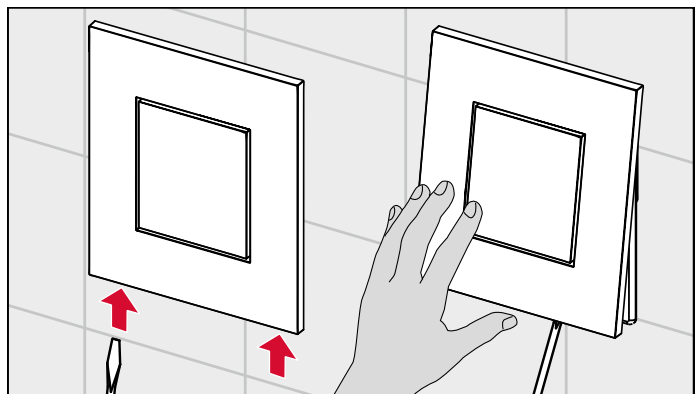
Open the inlet flow control.



Screw the support frame onto the urinal flush valve housing.



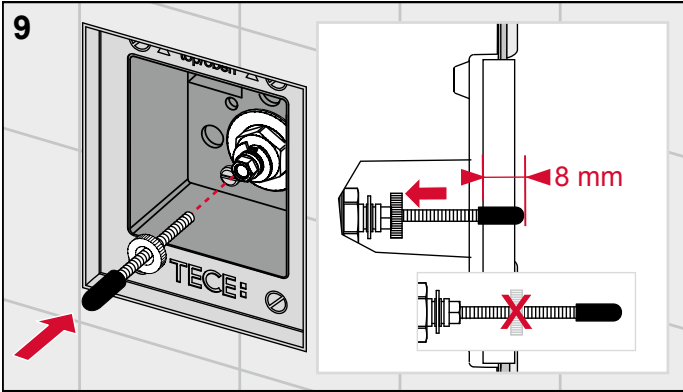
Finally, mount the flush plate cover.



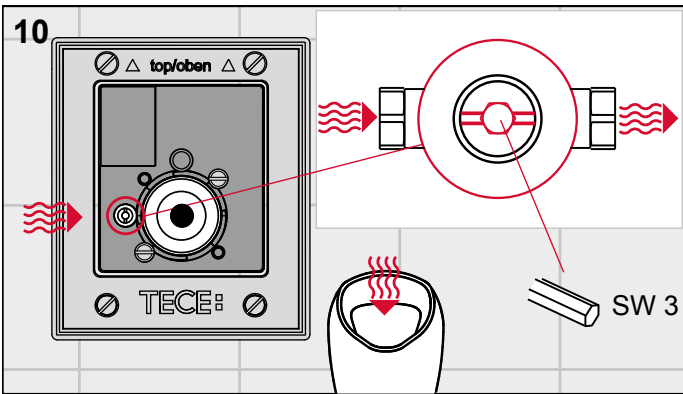
The installed cover can be detached from the flush plate using a screwdriver. To do this, insert the tool into the recesses on the underside of the flush plate and carefully remove the cover.

## Flush-mounted installation of the urinal flush plate

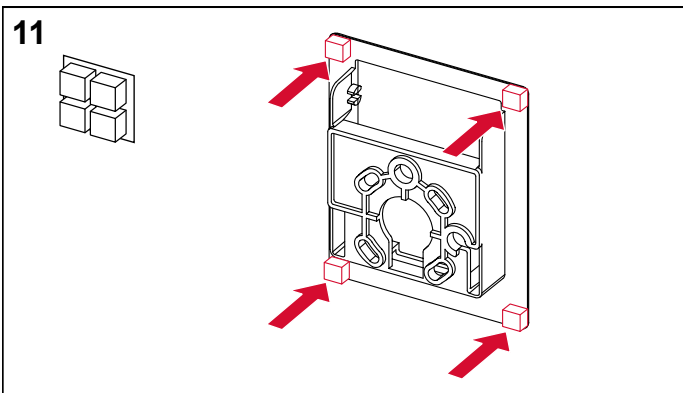
The first eight steps in the procedure for installing the urinal flush plate for the U 1 urinal flusher are the same for all (flush-mounted) TECE urinal flush plates.



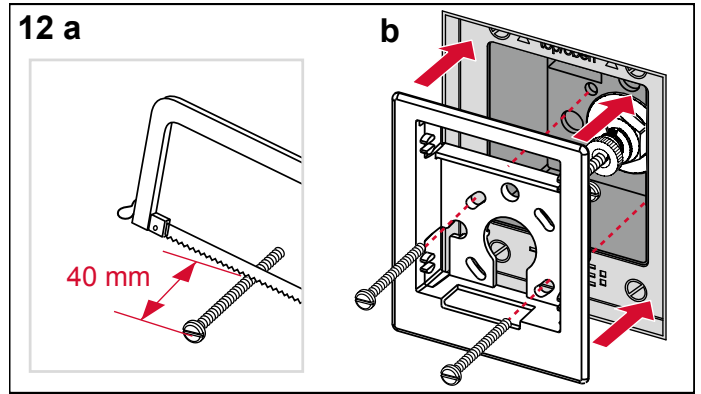
Screw in the actuating rods as described above (for flush-mounted TECEnow, distance to front edge of inside of installation frame = 8 mm), and screw on the counter nut to prevent them from turning.



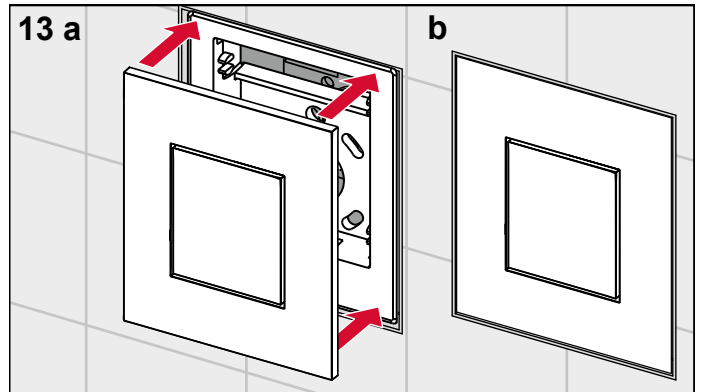
Open the inlet flow control.



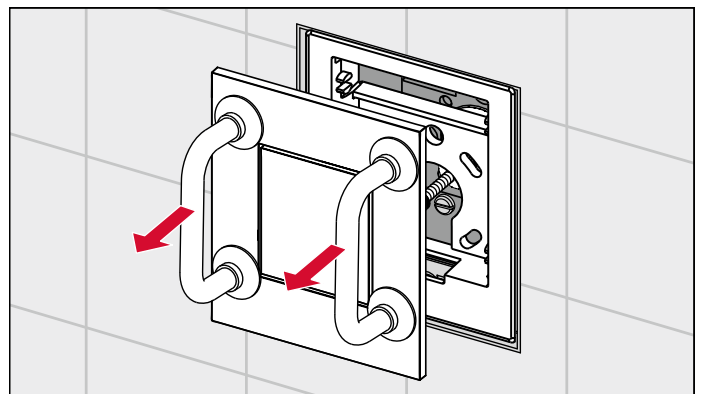
Stick the spacers onto the back of the TECEnow support frame.



Screw the support frame onto the urinal flush valve housing. If necessary, shorten the two screws so that they do not knock against the mounting cross beam (minimum length on minimum wall structure = 40 mm).



Allow the cover of the TECEnow flush plate to click into place in the support frame.

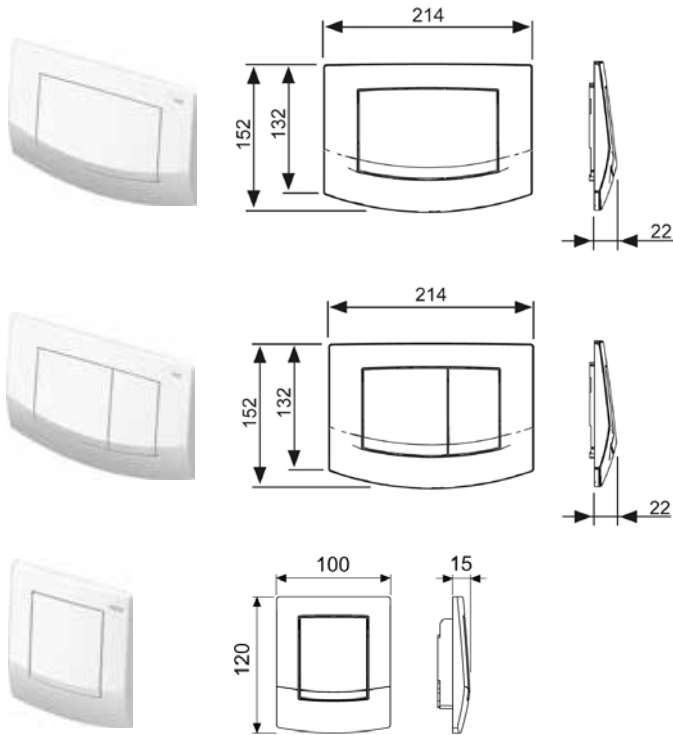


When mounting or dismantling the cover, do not press the button. The installed cover can be removed from the flush plate using the bow-type handles included in the installation frame's scope of supply. Only position the suction cups on the cover to be removed.

# TECE flush plates – TECEambia

## TECEambia

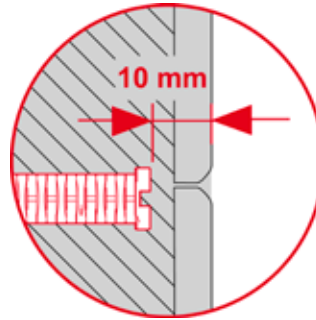
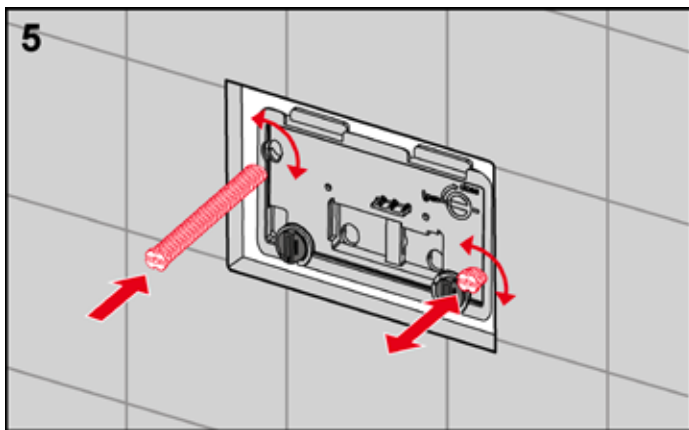
TECEambia toilet flush plates are available with single or dual-flush technology. TECEambia flush plates also exist for urinals. The double-sided rubber buffers prevent rattling noises. The flush plate is made of plastic.



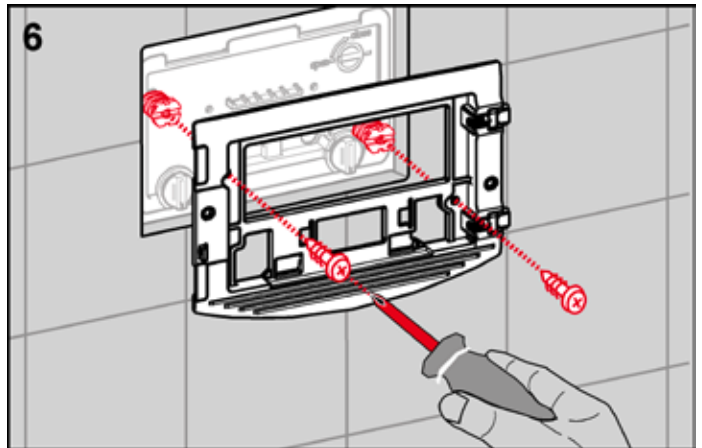
TECEambia toilet flush plate, single-flush technology  
TECEambia toilet flush plate, dual-flush technology  
TECEambia urinal flush plate

### Installing the toilet flush plate

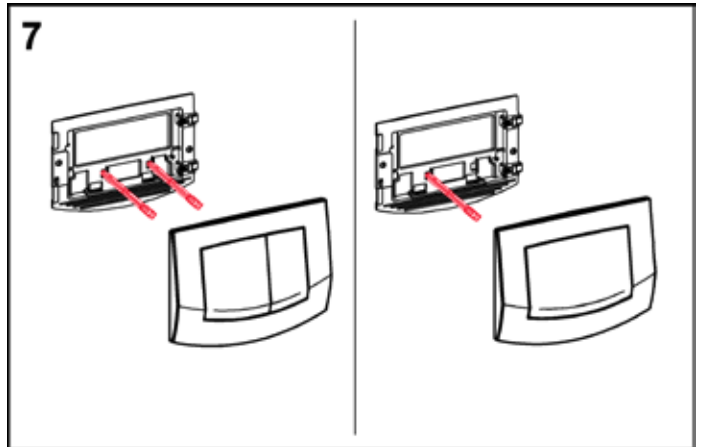
As with all TECE flush plates, the first four steps for installing the toilet flush plate are the same (for more information, see the section entitled “TECESquare, Installing the TECESquare II metal toilet flush plate”).



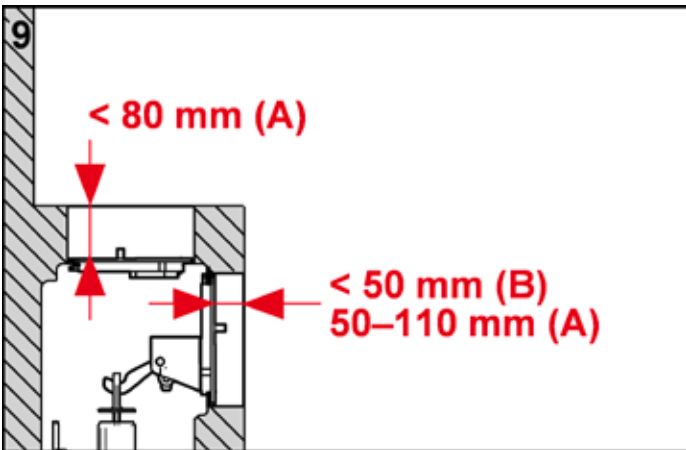
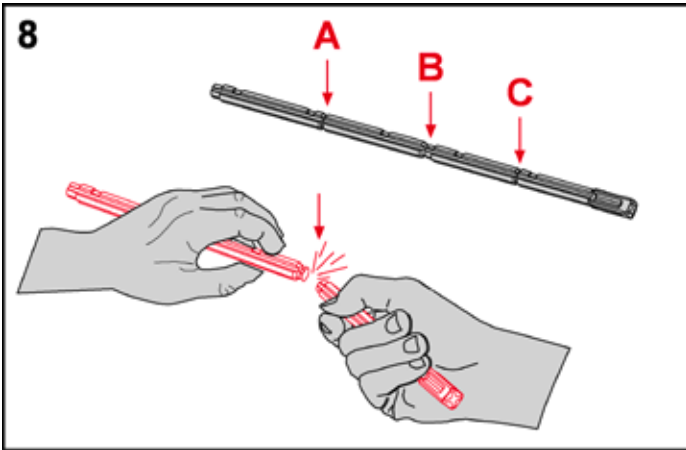
Screw in both attachment rods – distance of attachment rods to wall surface = 10 mm.



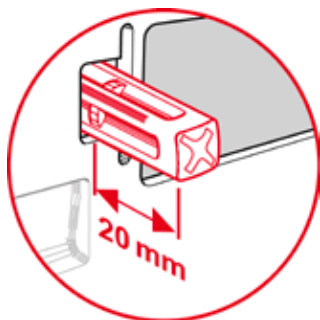
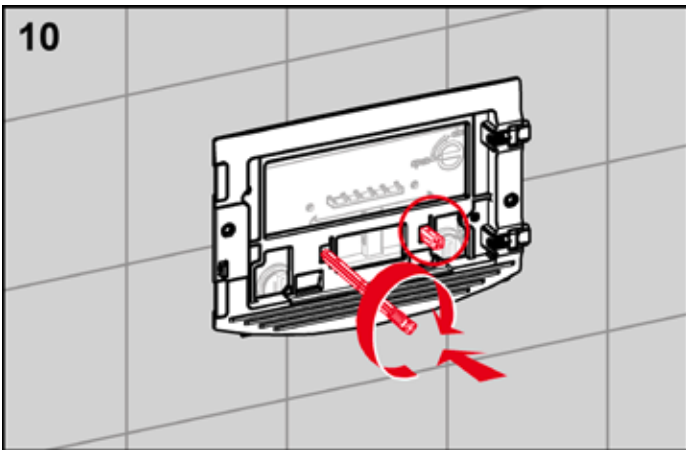
Screw the support frame onto the attachment rods.



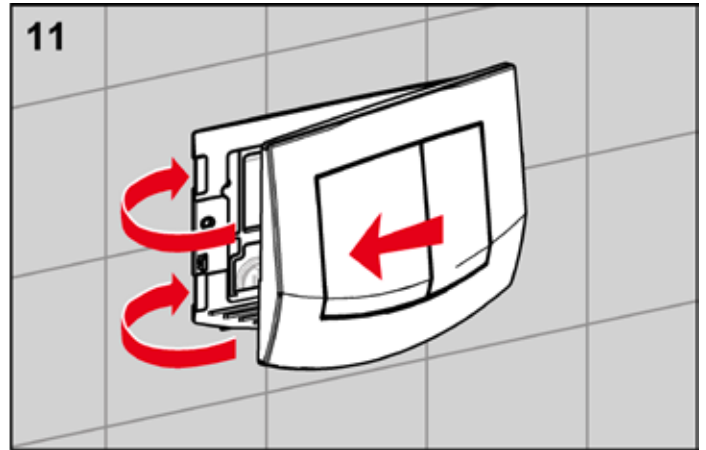
For dual-flush technology, two actuating rods (red and grey) are installed, whereas just one (grey) is required for single-flush technology.



Break off the actuating rods according to the wall structure.



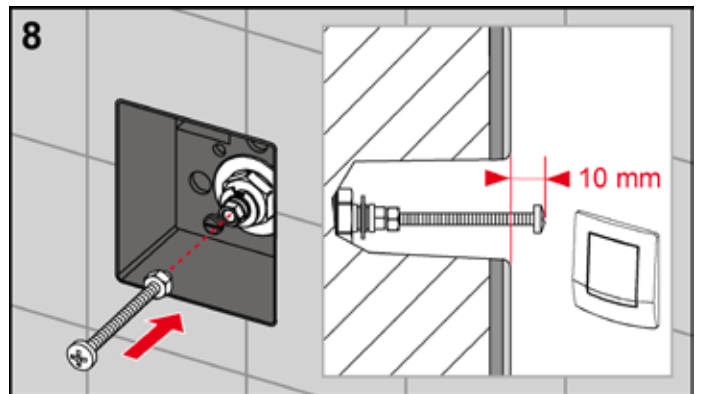
Screw in the actuating rods – distance to front edge of support frame = 20 mm.



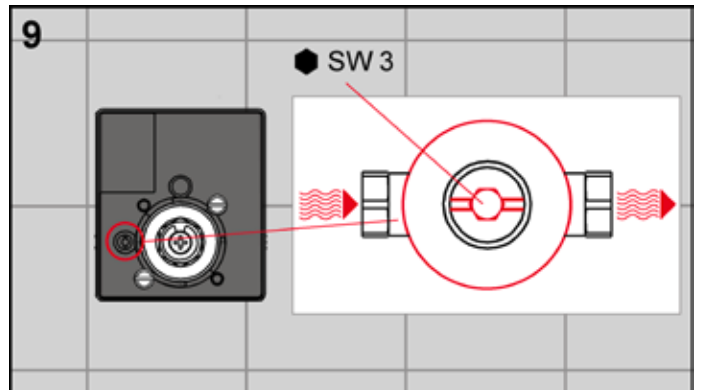
Hook the cover of the TECEambia flush plate into the right-hand side, and fit it onto the support frame by means of the snap lock.

### Installing the urinal flush plate

The first seven steps of the procedure for installing the urinal flush plate for the U 1 urinal flusher are the same for all (wall-mounted) TECE urinal flush plates – see “TECESquare – Wall-mounted installation of the urinal actuation” for more information.

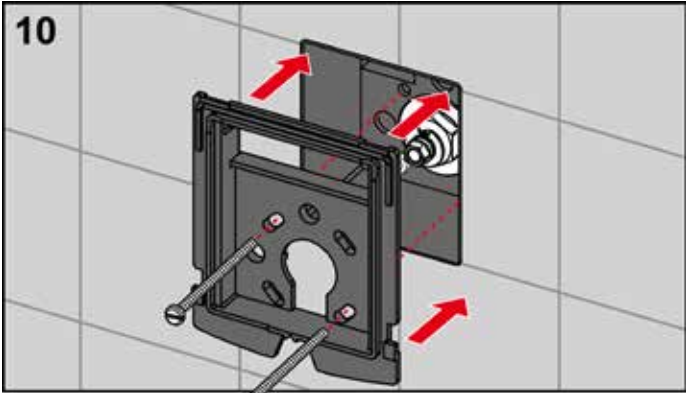


Screw in the actuating rods as described above (for the TECEambia, distance to wall surface = 10 mm) and screw on the counter nut to prevent them from turning.

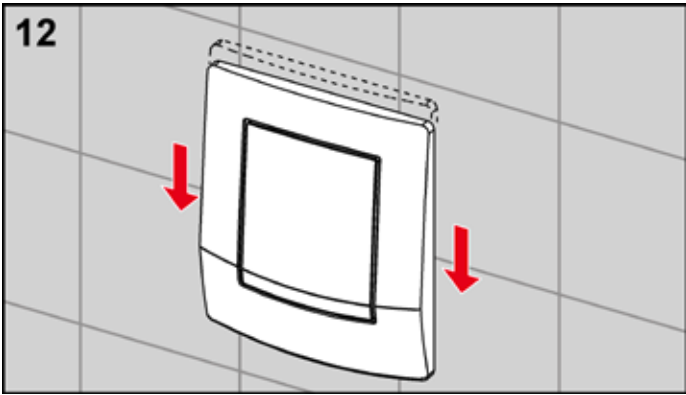
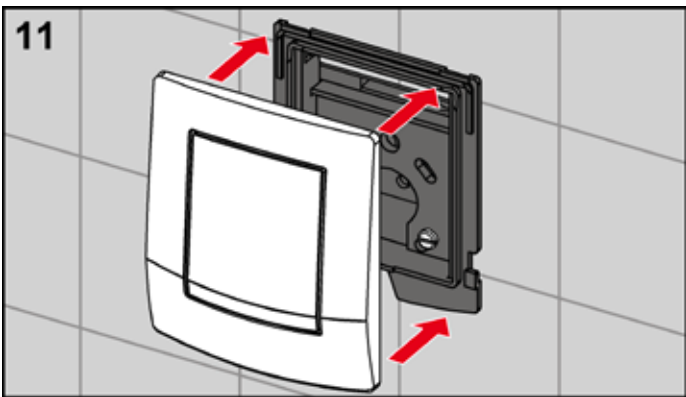


Open the inlet flow control.

## TECE flush plates – TECEambia



Screw the support frame onto the urinal flush valve housing.

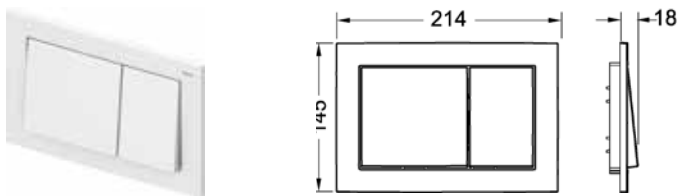


Finally, mount the flush plate cover.



## TECEbase

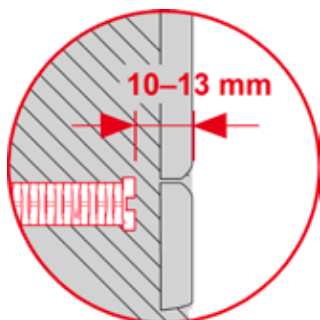
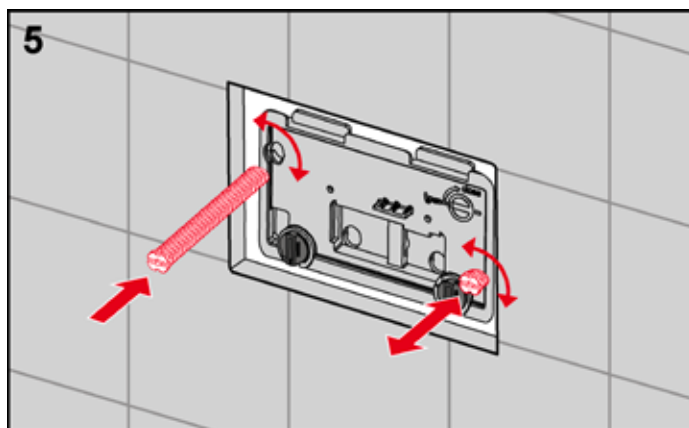
TECEbase is a simple toilet flush plate made of plastic for dual-flush technology. It is operated by two buttons with switch technology.



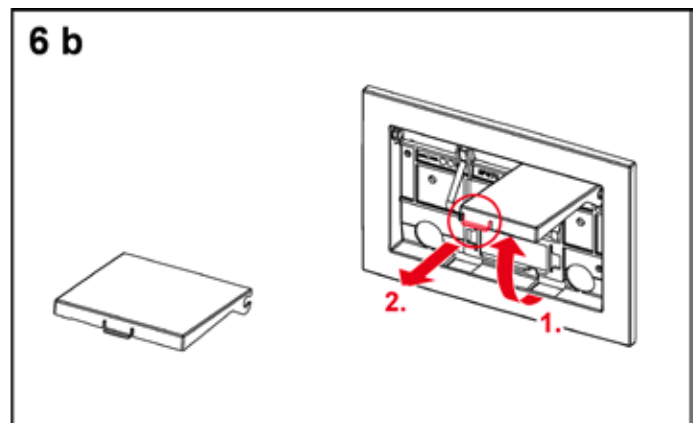
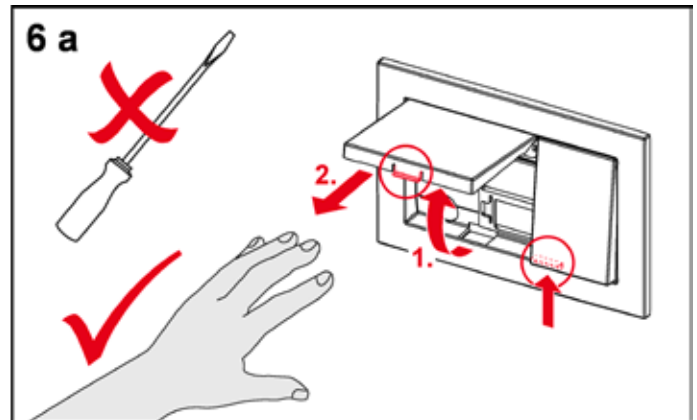
TECEbase toilet flush plate, dual-flush technology

## Installing the toilet flush plate

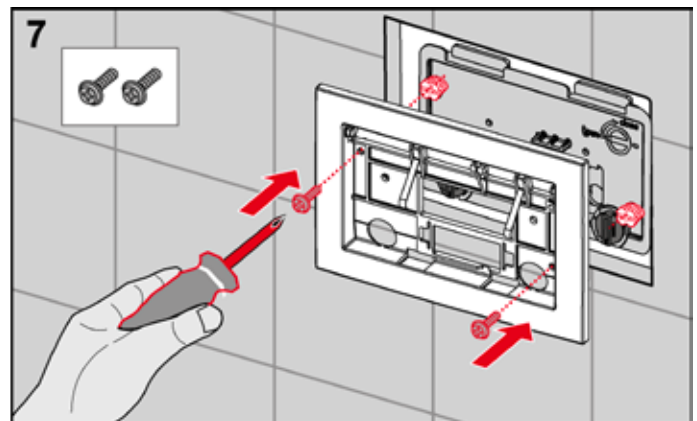
The first four steps for installing the toilet flush plate are the same for all TECE flush plates (see the section entitled “TECEsquare, Installing the TECEsquare II metal toilet flush plate” for more information).



Screw in both attachment rods – distance of attachment rod to wall surface: 10 - 13 mm.

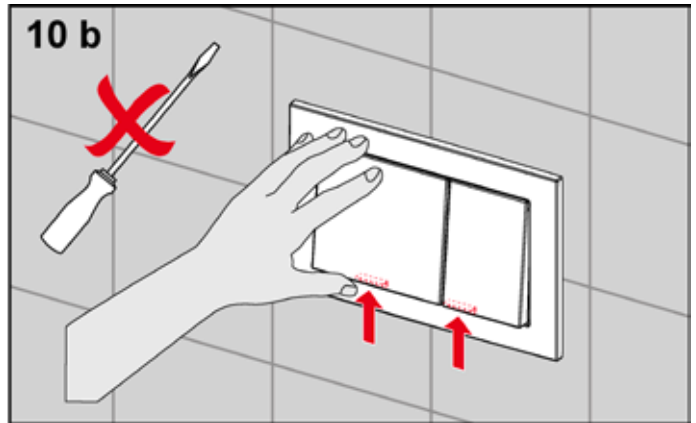
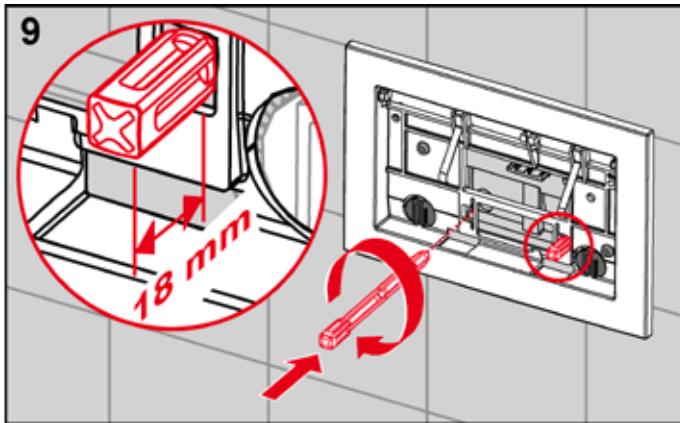
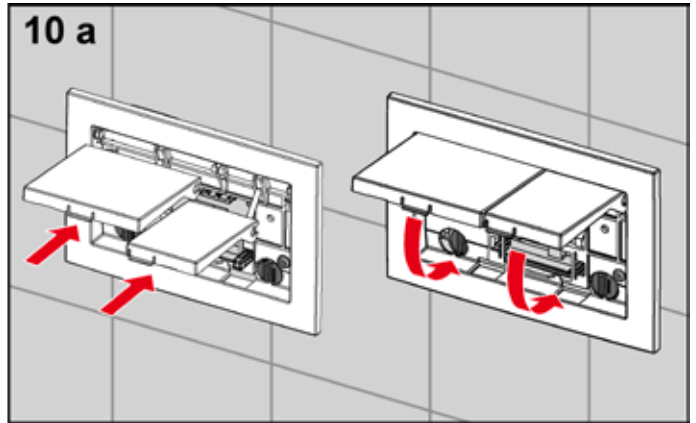
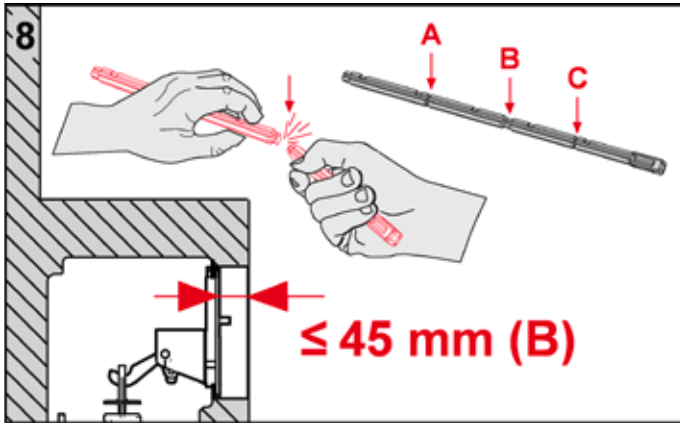


Manually dismantle both buttons from the flush plate by bending up the snap-in hooks towards the button. To avoid damaging the buttons, do not use a screwdriver or similar tool.



Screw the support frame onto the attachment rods.

## TECE flush plates – TECEbase

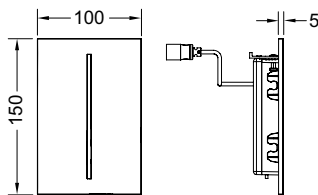
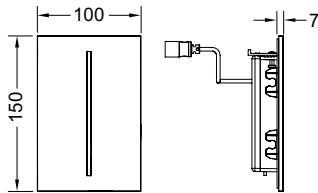
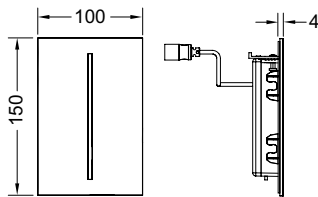


Break off the actuating rods according to the wall structure and screw them in – distance from front edge of support frame = 18 mm.

Finally, replace the buttons manually.

## TECEfilo urinal

The new TECEfilo urinal electronics are available with a metal, glass or plastic surface. Their appearance therefore harmonises perfectly with various TECE flush plates such as with the TECESquare metal, TECESquare glass toilet flush plates or with the TECEnow toilet flush plate. The TECEfilo urinal electronics with glass or plastic surface can also be mounted flush to the surface with the TECEfilo installation frame.



TECEfilo, metal  
TECEfilo, glass  
TECEfilo, plastic

Based on a service life of two years, the battery lasts for

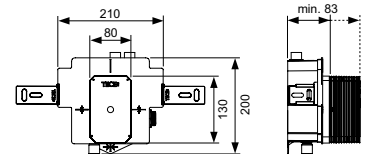
- 220,000 flushes or
- approx. 300 flushes/day.

The TECE urinal flusher U 2 is suitable for installation in dry and brick-wall constructions. For dry-wall structures, installation is performed together with the TECE urinal module. The transformer is already integrated into the two shell elements which means that it is suitable for direct 230 V connection.

TECEbox U 2 urinal flush valve housing for brick-wall structure (9370040)



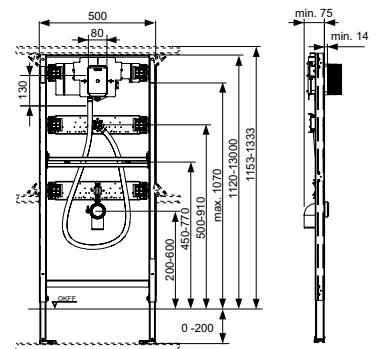
Compatible with the 230 V mains and the 7.2 V battery variants. The transformer for 230 V mains operation is already integrated.



TECEprofil urinal module with U 2 flush valve housing (9320013)



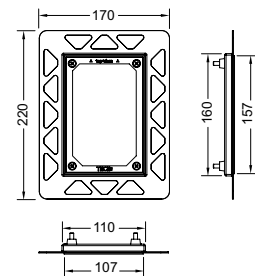
Compatible with the 230 V mains and the 7.2 V battery variants. The transformer for 230 V mains operation is already integrated.



TECEfilo installation frame for flush-mounted installation, for dry-wall constructions only (9242040/41/42)

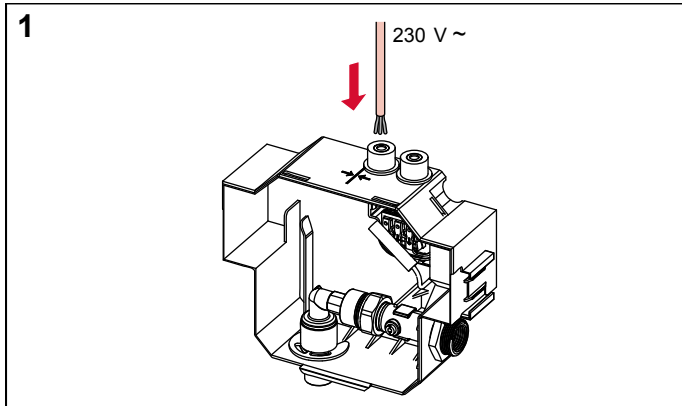


The TECEfilo plastic electronics, like the glass ones, can be mounted with the TECEfilo installation frame for flush-mounted installation in dry-wall structures.

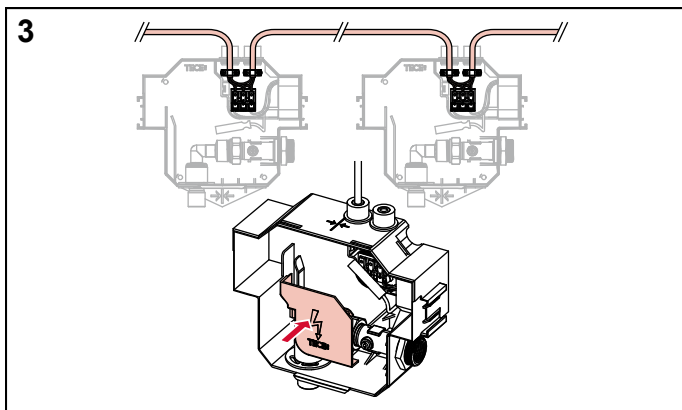
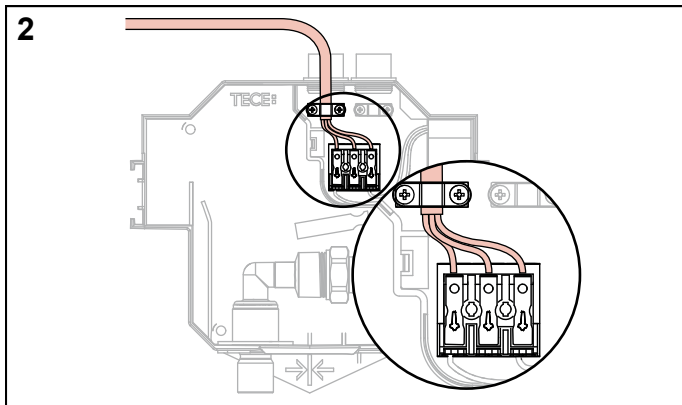


# TECE flush plates – TECEfilo Urinal

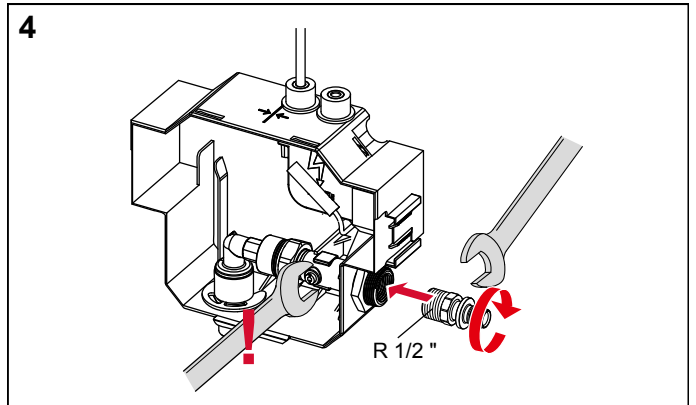
## Bare wall – mounting and installation



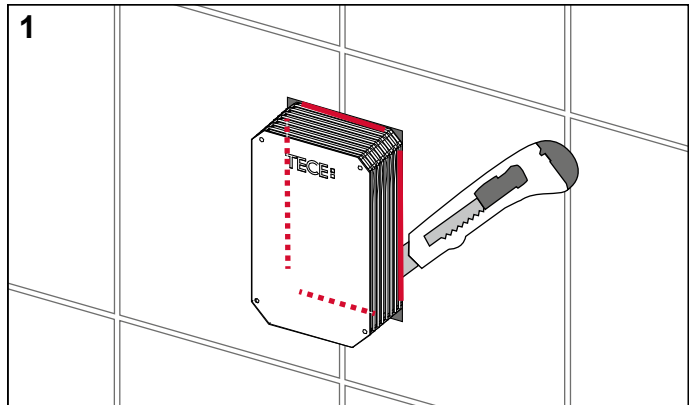
The U 2 flush valve housing can be installed in dry-walls and brick-walls. The transformer is already integrated into the flush valve housing to facilitate coordination of the different trades carrying out the assembly work. Therefore, the transformer can be directly connected with a 230 V cable.



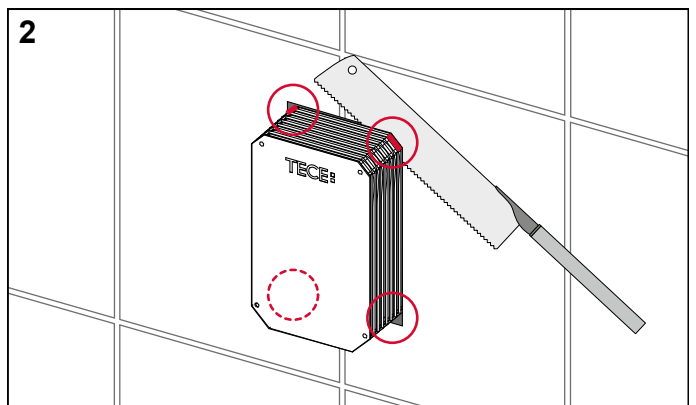
It is also possible to loop the connection through (fig. 3).



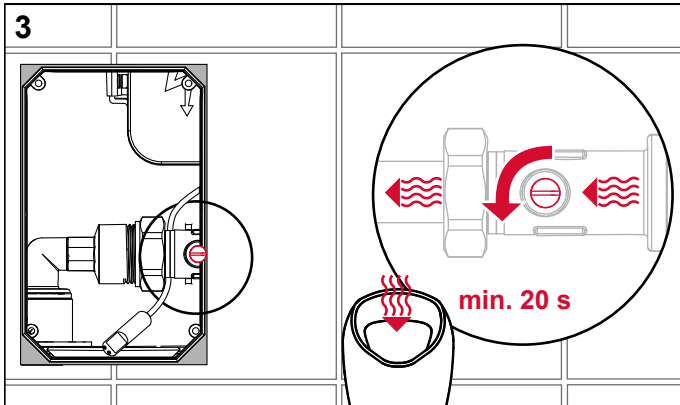
## Installing the wall-mounted TECEfilo urinal flush plate 230/12 V



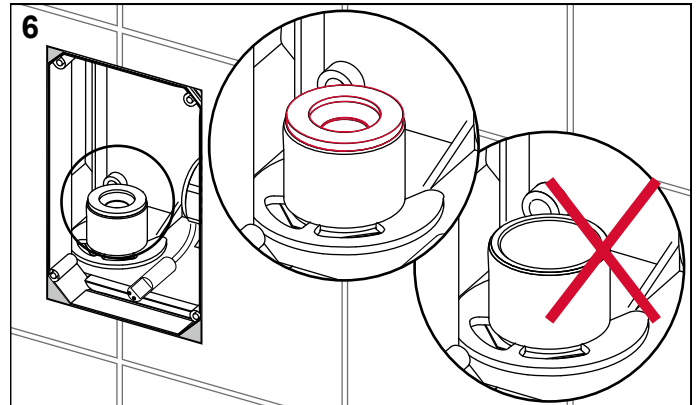
Cut the thin surface of the bare-wall protection with a cutter knife.



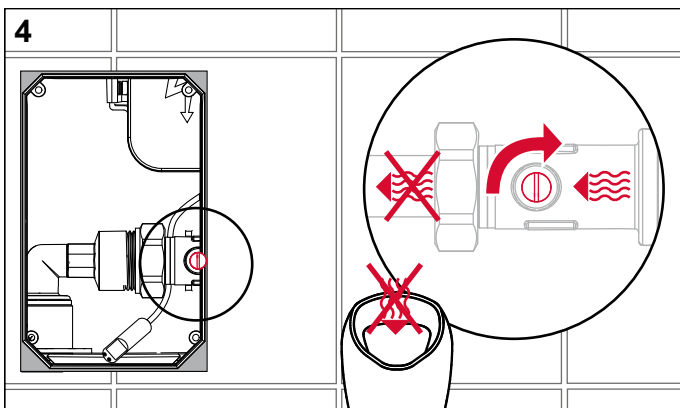
Use a saw to cut the corner areas, where the wall is thicker, flush to the wall.



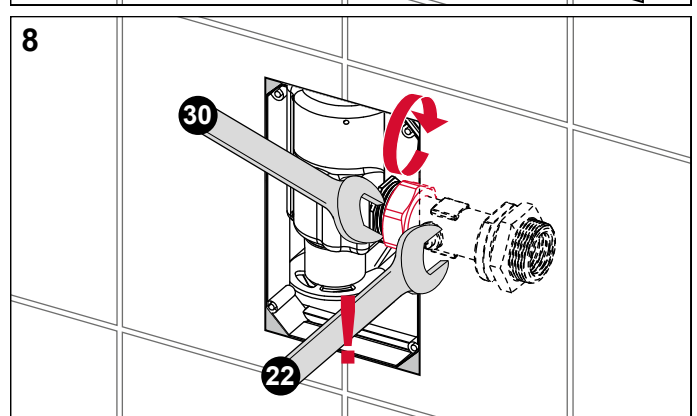
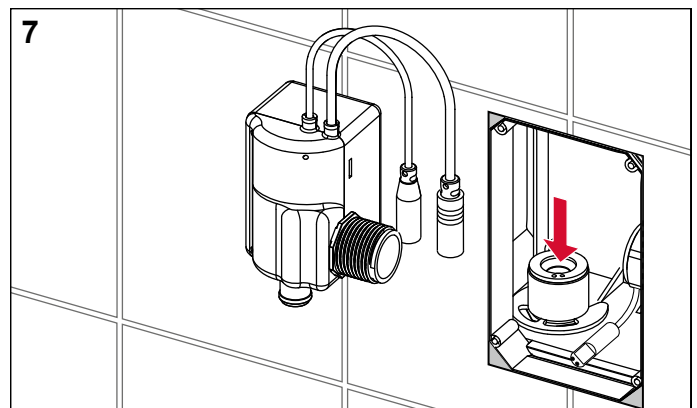
To flush out the connection pipe, open the inlet flow control and sufficiently flush out the pipe.



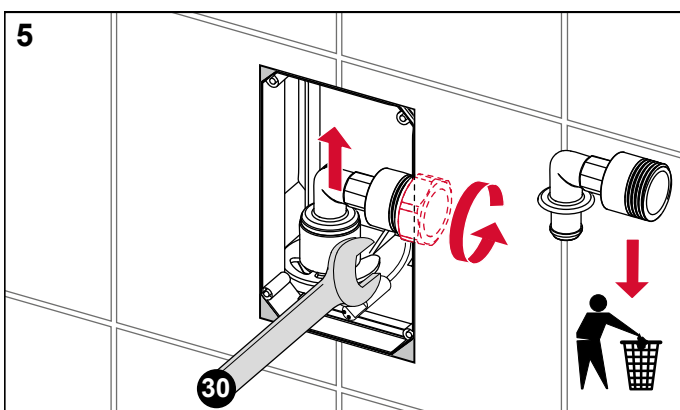
Make sure that the connection piece is fitted with a seal. This seal can be greased if necessary.



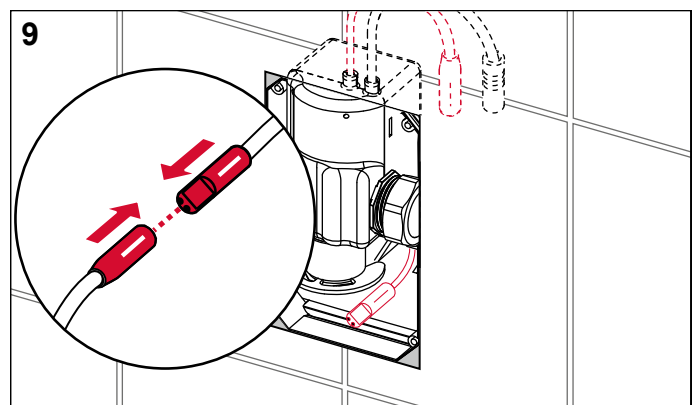
Before mounting the flusher, make sure that the inlet flow control is closed so that no water can leak out during assembly. Close the shut-off using a flat-head screwdriver. In the free-flow setting (fig. 3), the shut-off slot is parallel with the housing, and in the closed setting (fig. 4), it is at right angles to the housing.



Insert the flusher and close it with the union nut.

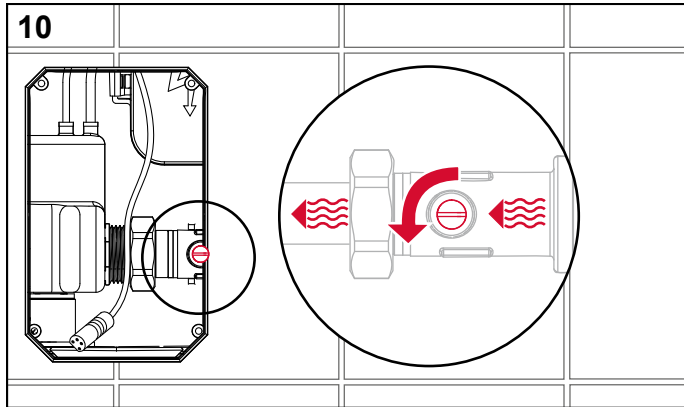


Loosen and remove the flush pipe elbow.

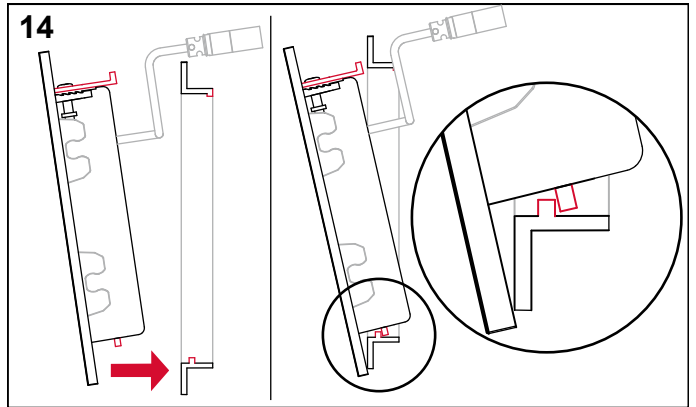


Connect the transformer's plug-in connection.

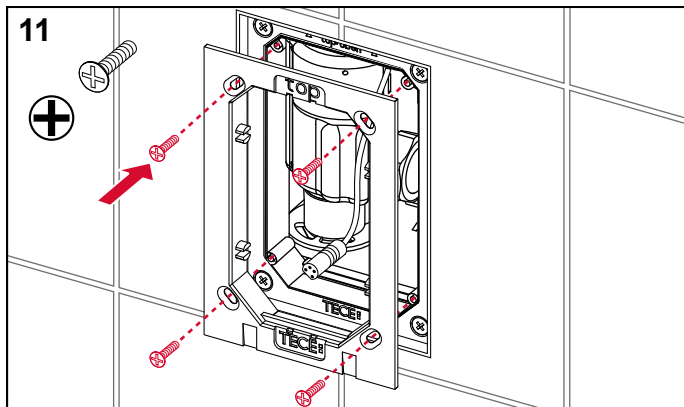
# TECE flush plates – TECEfilo Urinal



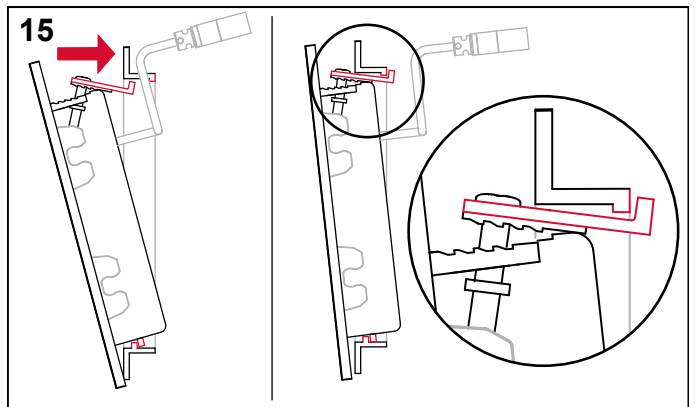
Open the inlet flow control.



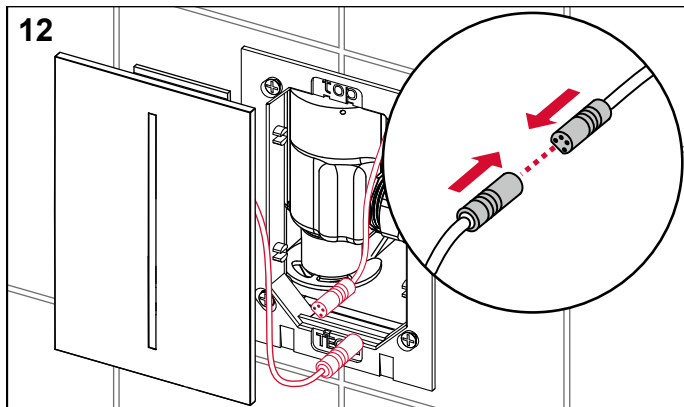
Hook in the bottom of the cover panel.



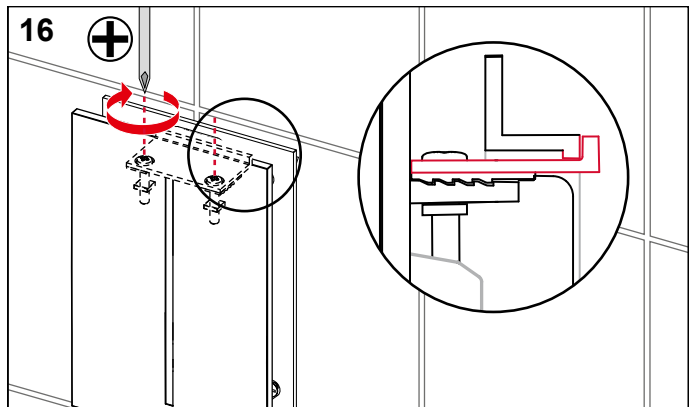
Screw the support frame onto the urinal flush valve housing.



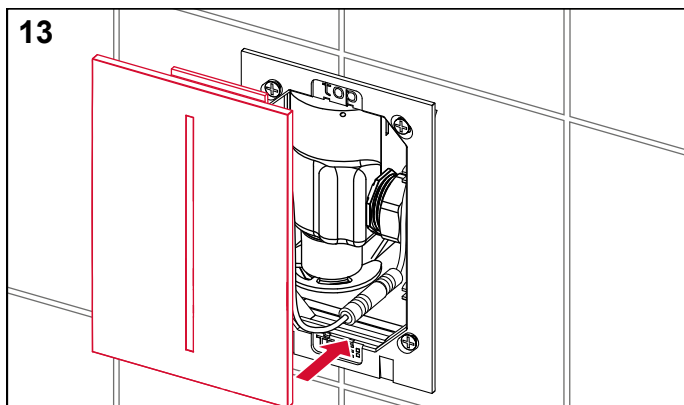
The top of the anti-theft device must be detached for the installation.



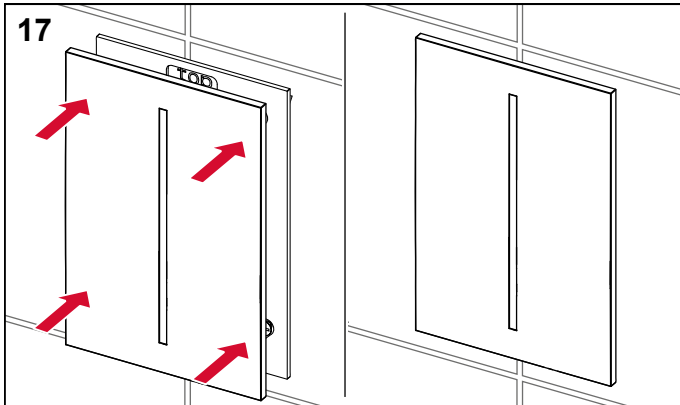
Connect the plug-in connection for the infrared sensor on the cover plate.



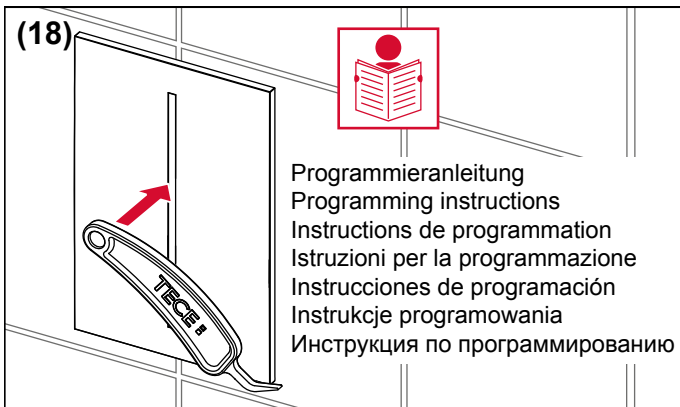
Mount the anti-theft device from the top of the cover using a Philips screwdriver.



Mount the cover.



Then click the cover into place.



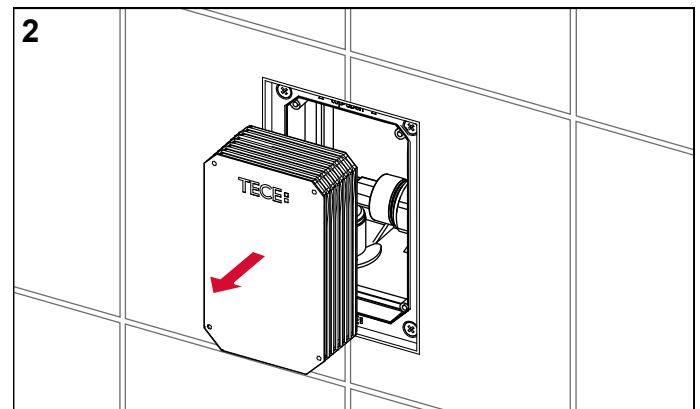
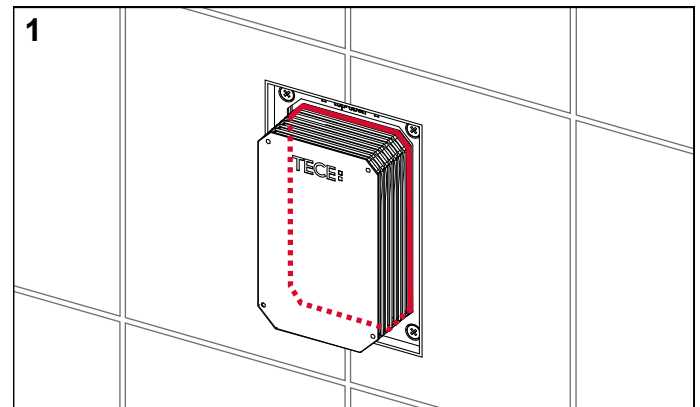
If necessary, the urinal electronics can be programmed. See the following programming instructions for more information.



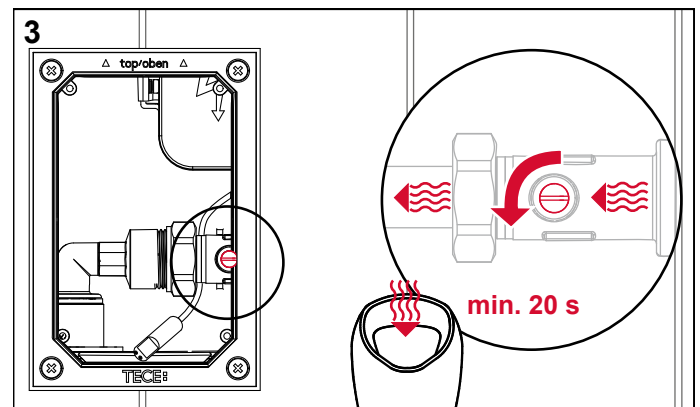
To dismantle the cover, insert the programming key into the notches on the underside of the flush plate.

The steps for installing the TECEfilo urinal electronics with the 7.2 V battery variant are virtually the same.

## Installing the flush-mounted TECEfilo urinal flush plate 230/12 V

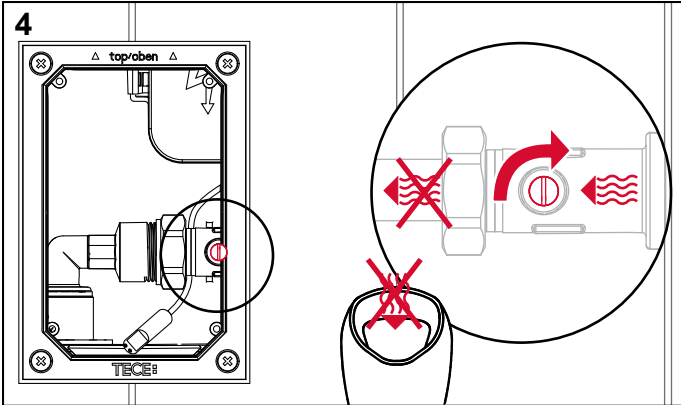


To facilitate installation, we recommend shortening the bare-wall protection to the correct size already when mounting the flush-mounted installation frame. If this has not already been done, shorten the bare-wall protection.

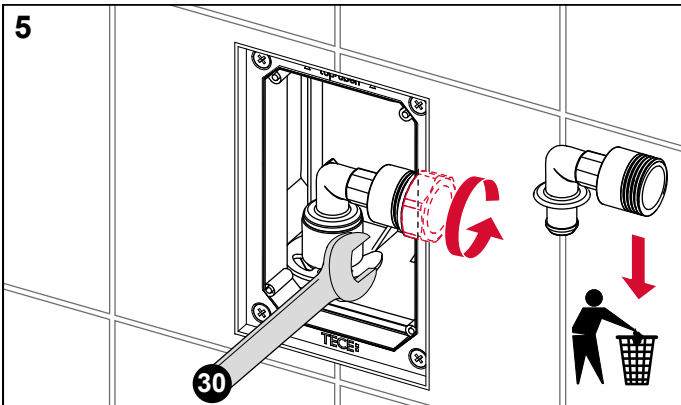


To flush out the connection pipe, open the inlet flow control and sufficiently flush out the pipe.

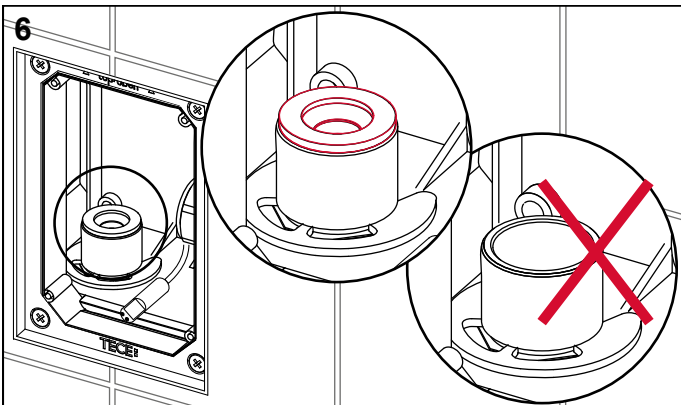
# TECE flush plates – TECEfilo Urinal



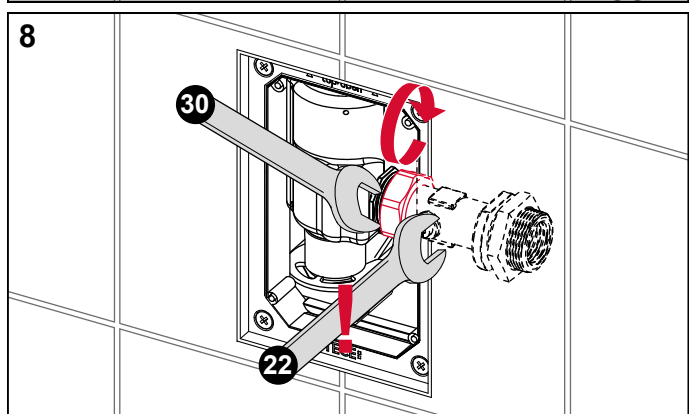
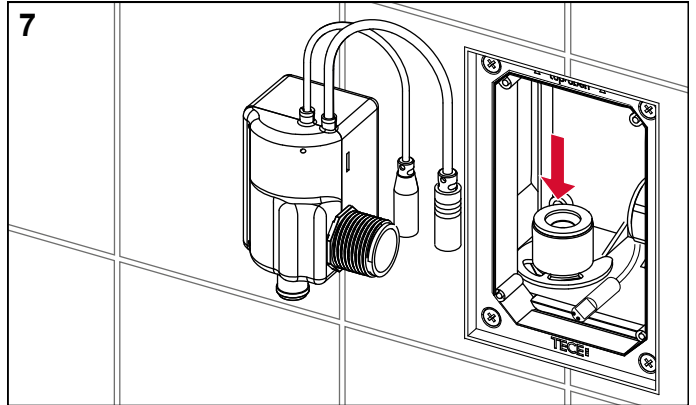
Before mounting the flusher, make sure that the inlet flow control is closed so that no water can leak out during assembly. Close the shut-off using a flat-head screwdriver. In the free-flow setting (fig. 3), the shut-off slot is parallel with the housing, and in the closed setting (fig. 4), it is at right angles to the housing.



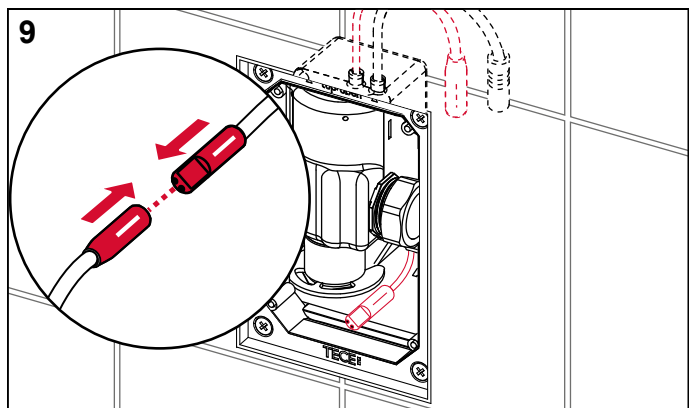
Loosen and remove the flush pipe elbow.



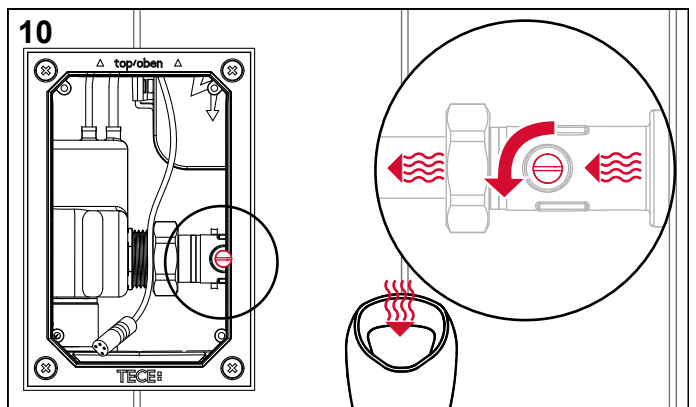
Make sure that the connection piece is fitted with a seal. This seal can be greased if necessary.



Insert the flusher and close it with the union nut.

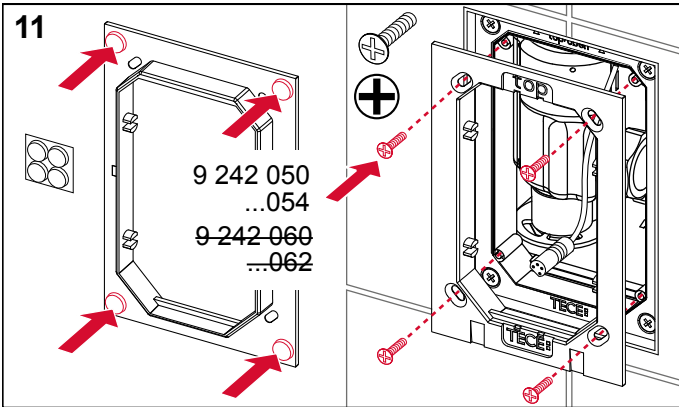


Connect the transformer's plug-in connection.

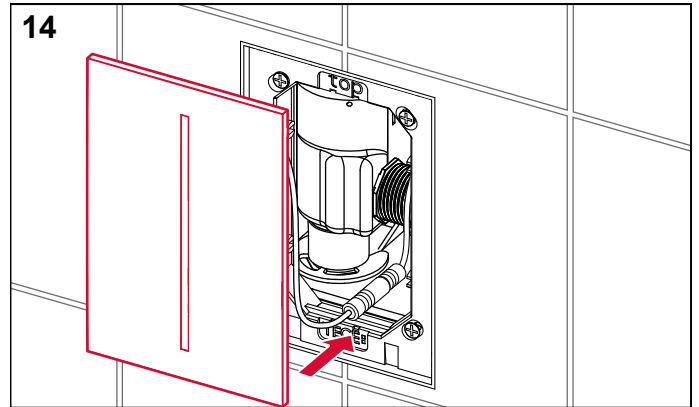


Open the inlet flow control.

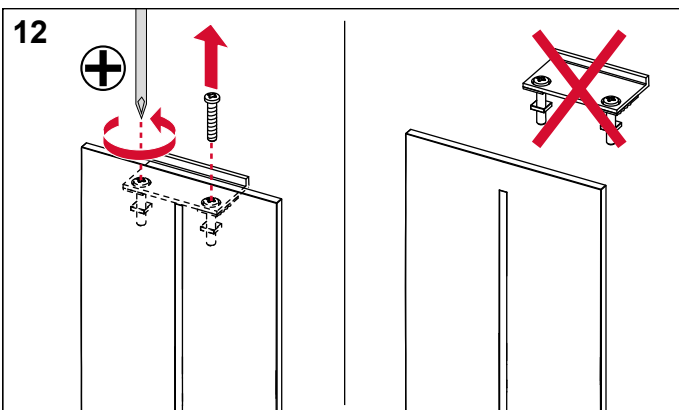




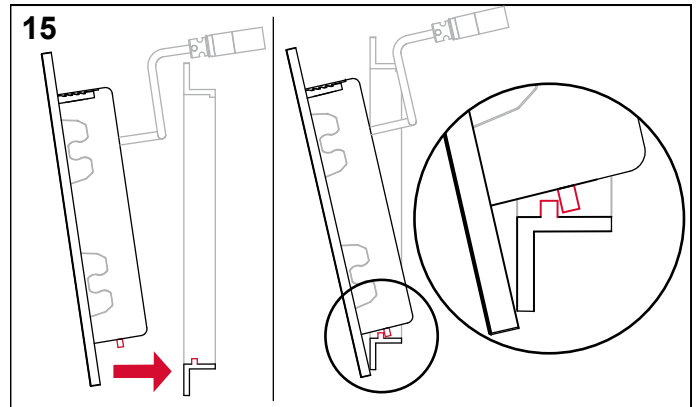
Stick the spacers to the back of the support frame and screw the frame onto the urinal flush valve housing.



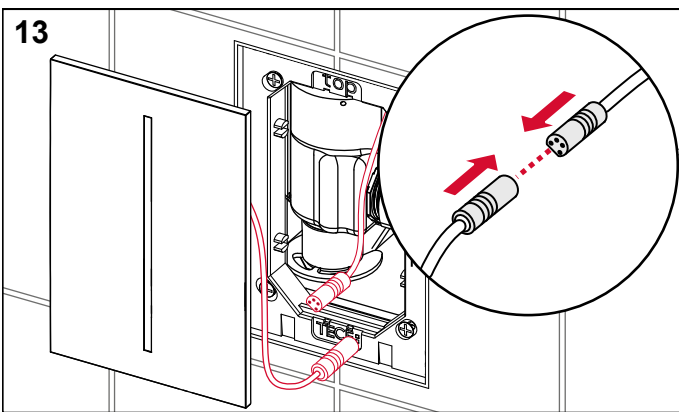
Mount the cover.



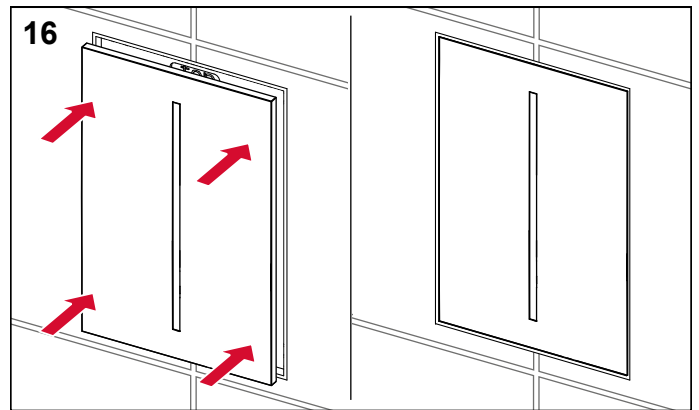
For the flush-mounted installation, leave out the anti-theft device. For the flush-mounted installation, the cover should always be removed using the bow-type handles.



Hook in the bottom of the cover panel.

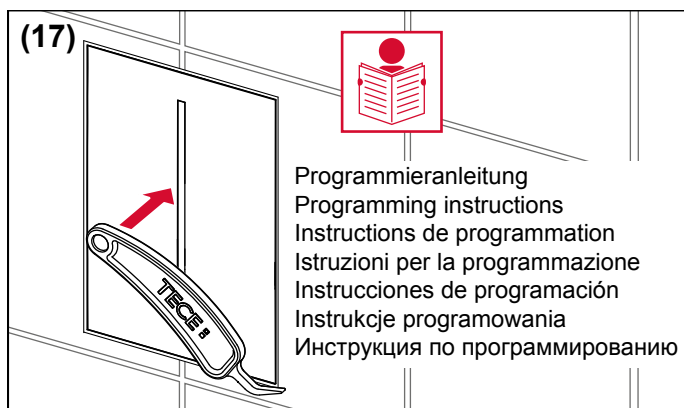


Connect the plug-in connection for the infrared sensor on the cover plate.

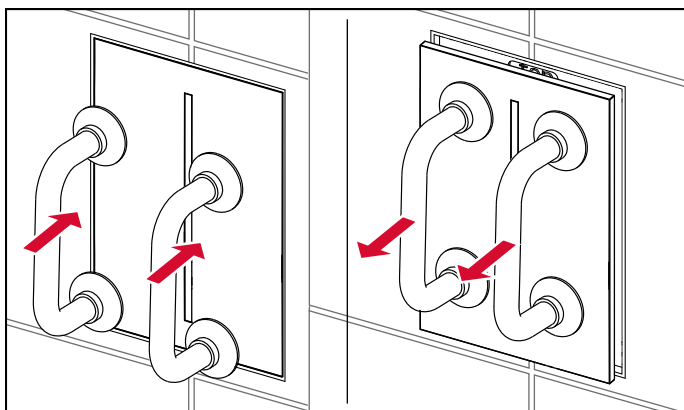


Press the cover into the mounting support.

## TECE flush plates – TECEfilo Urinal



If necessary, the urinal electronics can be programmed. See the following programming instructions for more information.




The installed cover can be removed from the flush plate using the bow-type handles included in the installation frame's scope of supply. Only position the suction cups on the cover to be removed.

The steps for installing the TECEfilo urinal electronics with the 7.2 V battery variant are virtually the same.

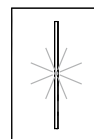
### Programming the urinal electronics

To program the TECEfilo urinal electronics, the programming key provided in the scope of supply is required. The TECE electronics can be programmed during the first 30 minutes after connection to the power supply. In the event of a power failure, the last settings saved are retained. Each configurable setting is assigned a position on the remote control.

Position	Function
1	Pause function "off"
2	Pause function "on"
3	Flush time 1 s
4	Flush time 2 s
5	Flush time 3 s
6	Flush time 4 s
7	Flush time 5 s
8	Flush time 6 s
9	Flush time 7 s
10	Flush time 8 s
11	Flush time 9 s
12	Flush time 10 s
13	Pre-rinsing "off"
14	Pre-rinsing 0.5 s
15	Pre-rinsing 1 s
16	Pre-rinsing 2 s
17	Hygiene/interval flush "off"
18	Hygiene/interval flush 24 hrs
19	Hygiene/interval flush 72 hrs
20	Hygiene/interval flush 168 hrs
21	Refill "off"
22	Refill "on" (refill for 2 s after flushing for 2 s)
23	Sensor sensitivity "sensitive"
24	Sensor sensitivity "standard"
25	Hygiene flush volume small (5 s)
26	Hygiene flush volume medium (15 s)
27	Hygiene flush volume big (30 s)
28	Reset to factory settings
29	Urinal covers "off"
30	Urinal covers "on"

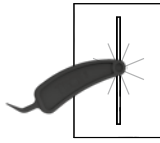
 = factory setting

During the programming phase, a red diode flashes in the centre of the sensor field as soon as a person enters the area. This diode acknowledges that the programming mode is activated. In addition, it indicates the exact position of the programming key.

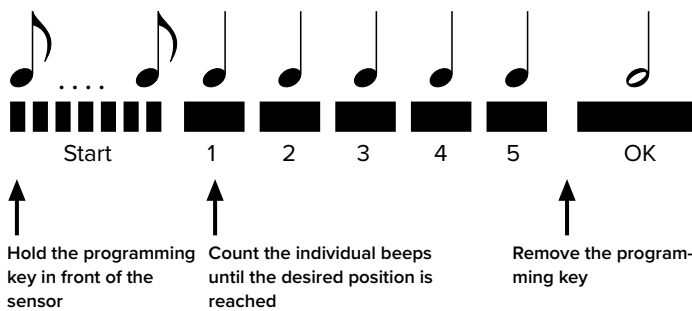


**How to program TECE electronics:**

- Hold the programming key in front of the red diode (see figure). The programming mode starts with a quick series of short beeps.
- After the start-up phase you will hear a sequence of the same distinct beep. Count the beeps until you reach your desired function.
- Now remove the programming key. A long beep indicates that the programming key has been removed.

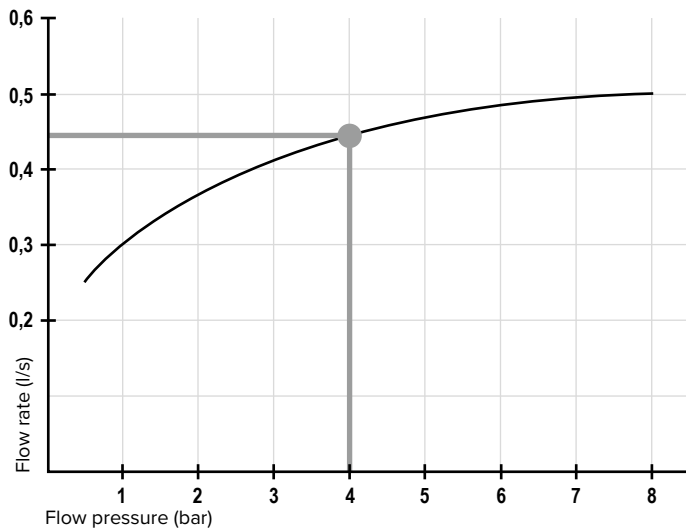


**Example:** Setting the flush time to three seconds



**Flow characteristic curve:**

Using the flow characteristic curve, the TECEfilo flush volume flow rate can be read and set depending on the flow pressure as well as the flushing time:



● **Example:**  
 Mains pressure 4 bar → Flow rate 0.44 l/s → with 5 s flushing time ≈ 2.2 l

**Adjustable functions:**

**Pause function/stadium function**

When the pause function is activated, the flushing time is automatically reduced to one second following repeated flushes in short succession (= less than two minutes). 45 minutes after the last economy flush, a standard flush is activated.

**Cleaning function**

Activating the cleaning function stops the urinal from flushing for ten minutes. After this time, a cleaning flush is automatically triggered and it returns to the standard operating mode.

Activating the cleaning function:

Hold the programming key briefly in front of the sensor window until an acknowledgement beep sounds.

The cleaning function can only be activated in standard mode, not during the programming phase.

**Hygiene/interval flush**

Automatic flush actuation, choose between 24, 72 or 168 hours after the last flush. The hygiene flush volume can be set to small (5 s), medium (15 s) or large (30 s).

# TECE flush plates – toilet flush handle

## Toilet flush handle

The toilet flush handle is a completely different toilet actuation system and can only be mounted on TECE concealed cisterns. It sets new standards in terms of operation and design. The toilet flush handle technology activates a large or small flush volume via a rotary motion.

Toilet flush handles are supplied by different bathroom fitting manufacturers. They generally tend to be a component in a range of fittings or series of accessories, or else can be used with any series. The shape, which is harmonised with the fittings, allows for a consistent design without any disturbing influences. The toilet flush handles are high-quality products made of metal.

A toilet flush handle can be replaced by a TECE flush plate at any time. So, the customer is also free to opt for a toilet flush handle at a later stage.

Your contact partner for toilet flush handles is not TECE but rather the respective fittings manufacturer who also markets the toilet flush plate:

### DORNBRACHT

Dornbracht GmbH & Co. KG  
Köbbingser Mühle 6  
D-58640 Iserlohn  
www.dornbracht.de  
info@dornbracht.de

### JADO

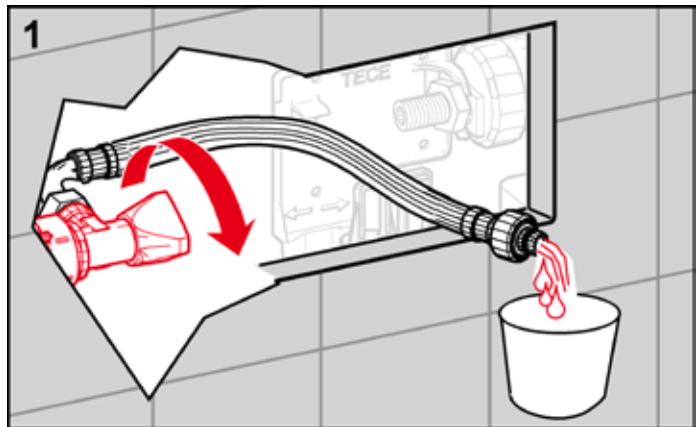
Jado AG Germany  
Euskirchener Straße 80  
D-53121 Bonn  
Tel. +49 (0) 2 28 521-0  
Fax +49 (0) 2 28 521-241  
www.jado.de  
jado.info@idealstandard.de

### oras

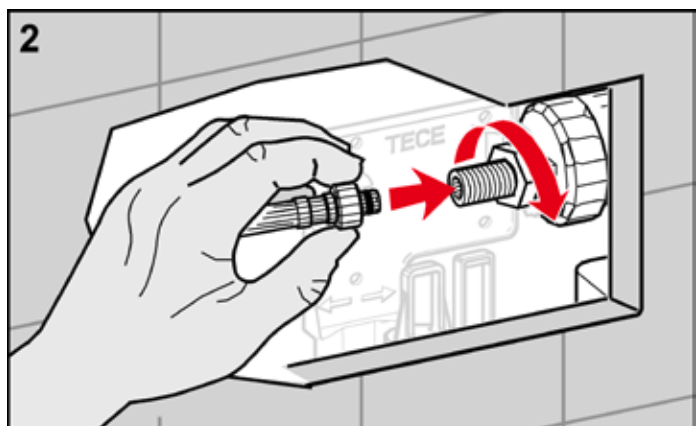
Oras GmbH & Co. KG  
Armaturen  
Grünlandweg 10  
D-58640 Iserlohn  
Tel. +49 (0) 23 71 94 80-0  
Fax +49 (0) 23 71 94 80-23  
www.oras.com  
info.germany@oras.com

## Installing the rotary mechanism

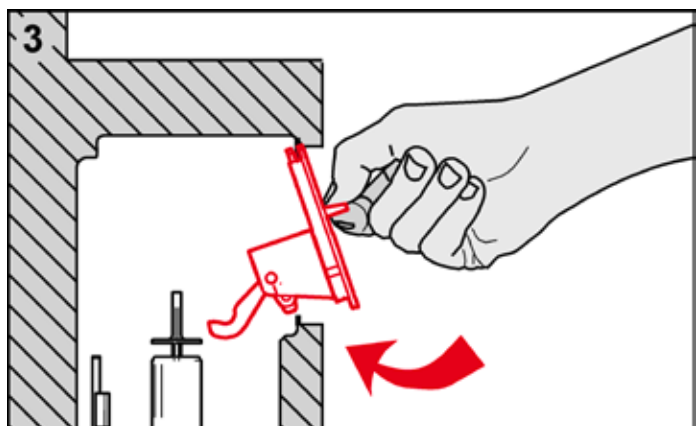
Installing the cover of a toilet flush handle differs according to manufacturer and series, and is described in the respective installation manuals. The basis of each toilet flush handle (i.e. the rotary mechanism) is installed as follows:



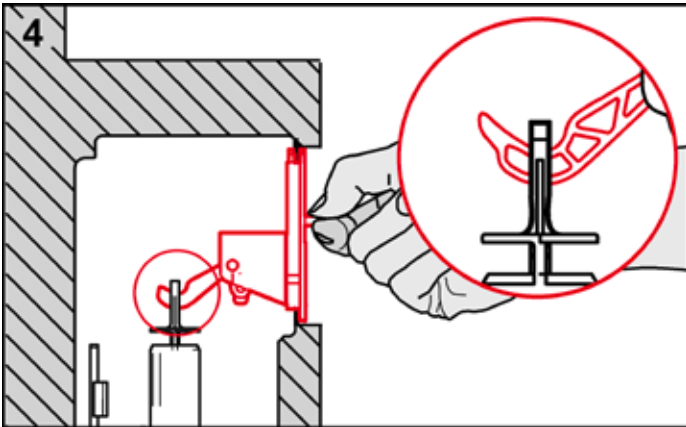
Open the corner valve and sufficiently flush out the pipe.



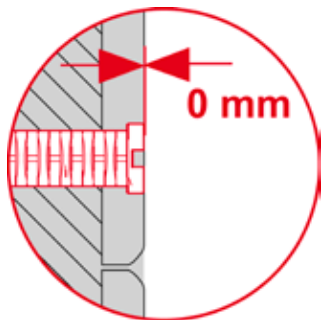
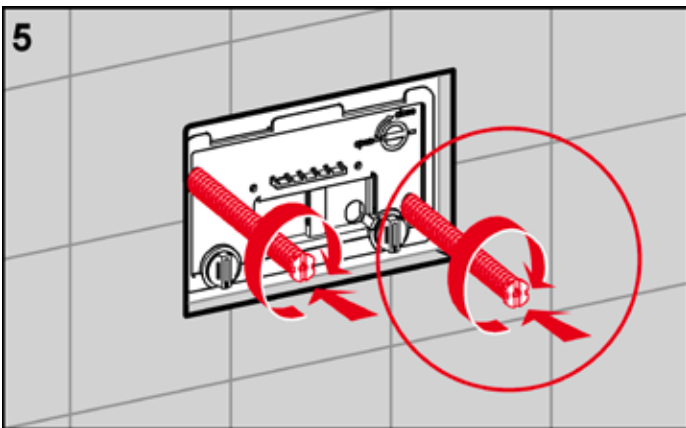
Turn the corner valve to close it again and connect the reinforced hose to the filling valve. If necessary, you can open the corner valve again.



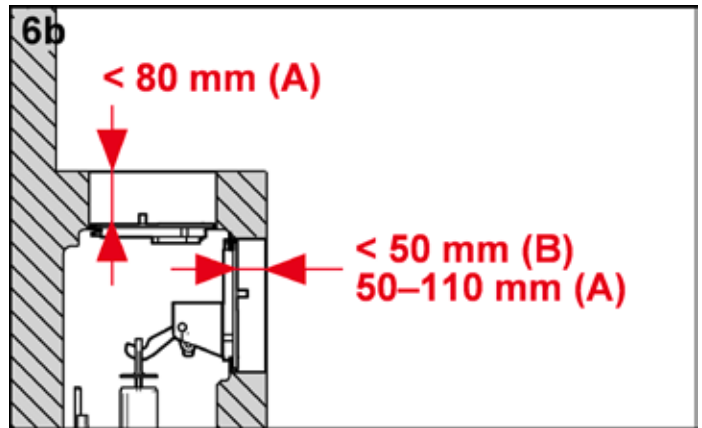
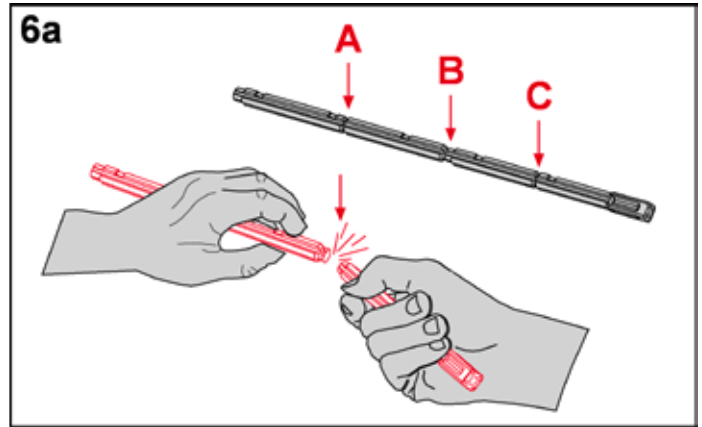
Put the splash guard back on.



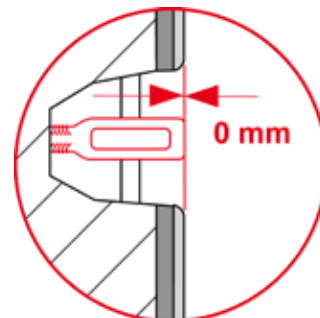
The activation hooks must fit correctly in the drain valve's drawbar eyelets. Tighten the splash guard clamping screws.



Turn both attaching rods until they are in contact with the surface of the wall.

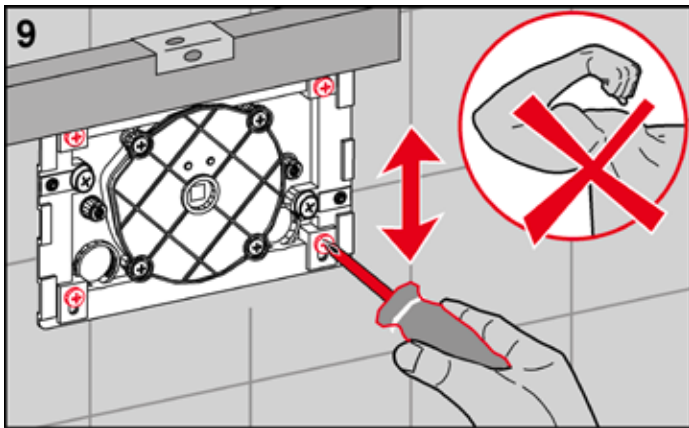
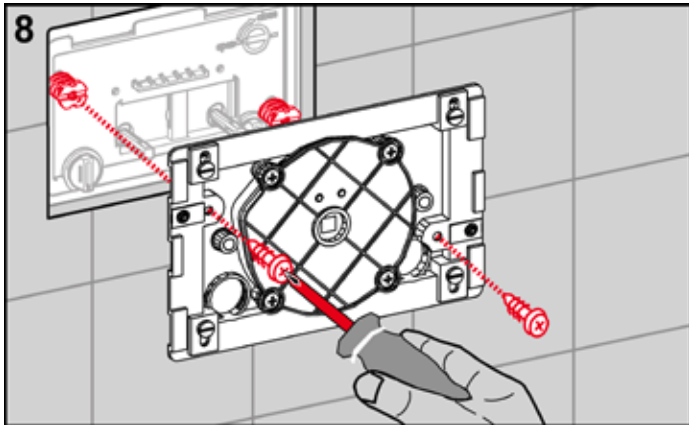


Break off the actuating rods according to the thickness of the wall structure.



Turn both actuating rods until they are in contact with the surface of the wall.

## TECE flush plates – toilet flush handle



Screw the rotary mechanism onto the attaching rods and align them horizontally.

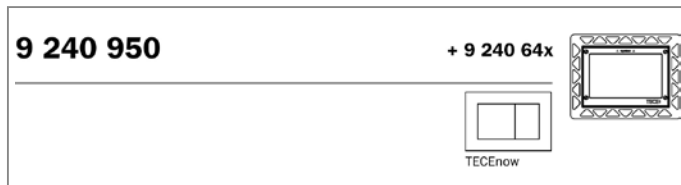
Mount the cover according to the fittings manufacturer's instructions.

### Insert chute

The TECE insert chute for cleaning tablets is characterised by its high degree of universality, and can be combined with all flush plates. Flush-mounted installation is also possible.

In brick-wall structures, a wall structure of over 16 mm is required. In dry-wall structures, the maximum wall structure is 60 mm and in brick-wall structures, 75 mm.

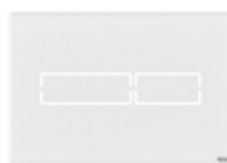
To ensure this property, different installation steps must be followed to combine the insert chute with TECE flush plates. For this reason, different installation instructions are provided with the insert chute. The application to which the instructions refer is indicated in the top right-hand corner on the first page of the respective instructions.



Flush-mounted TECEnow instructions

### Operating the insert chute

The metal spacing frame and guide rods are required for installing the following flush plates:



TECElux



TECEsquare glass



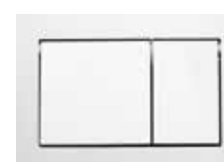
TECEloop



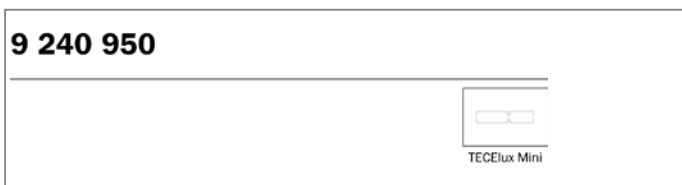
TECEplanus



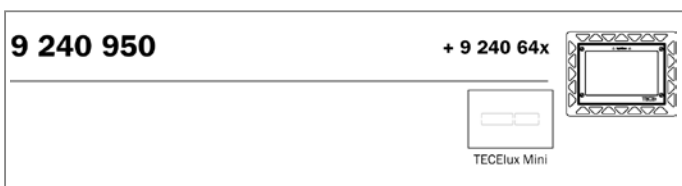
TECEambia



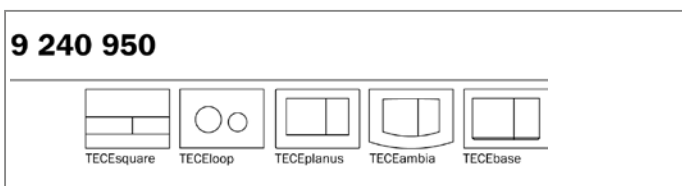
TECEbase



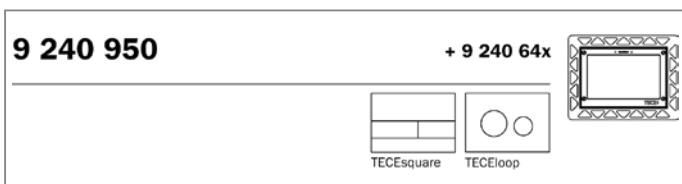
TECElux Mini instructions



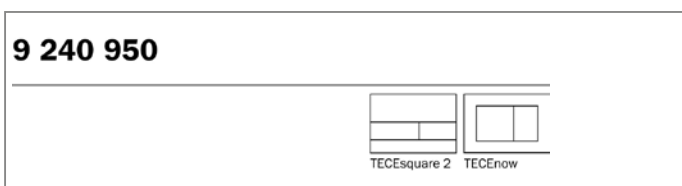
Flush-mounted TECElux Mini instructions



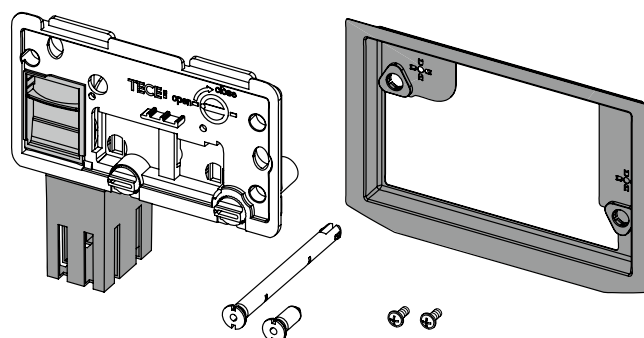
TECEsquare, TECEloop, TECEplanus, TECEambia, TECEbase instructions



TECEsquare glass and flush-mounted TECEloop instructions

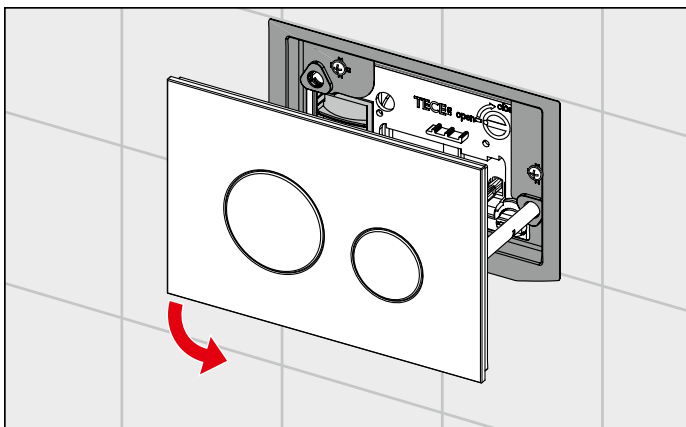
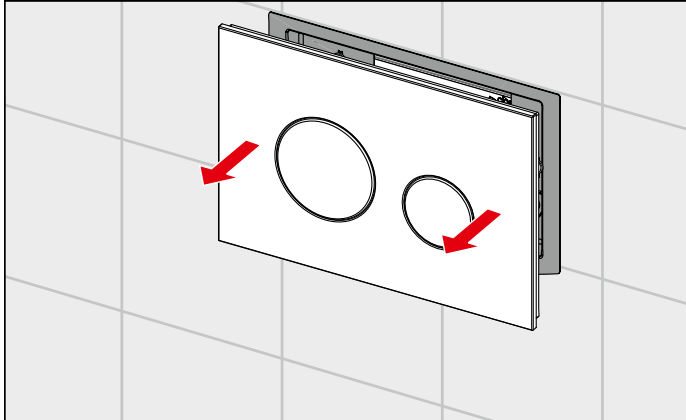


TECEsquare II metal and TECEnow instructions

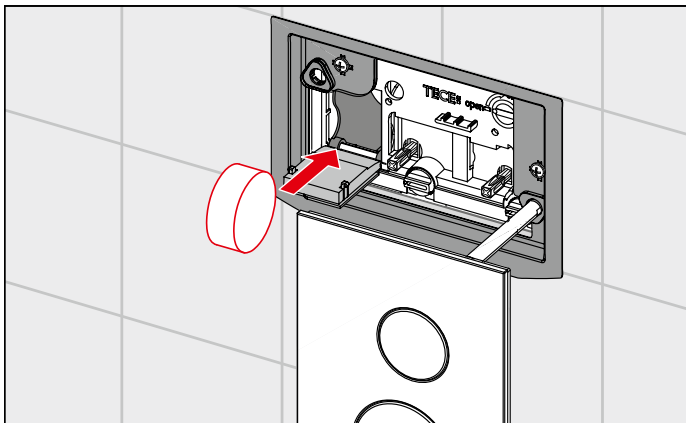


# TECE flush plates – insert chute

The insert chute is easy to use in just a few simple steps:

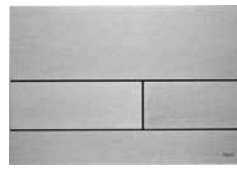


To remove the flush plate, simply take hold of the back of the plate and swivel it downwards.

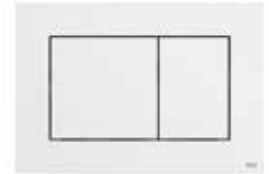


The tablet can now be placed in the insert chute through the red flap. The tablet falls into the collector basket from where it releases its active ingredients into the water.

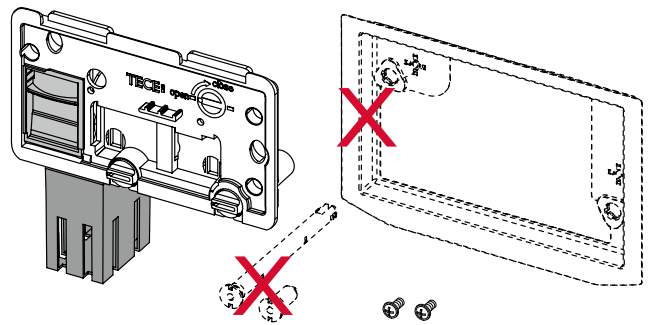
The metal spacing frame and guide rods are **not** required for the following flush plates:



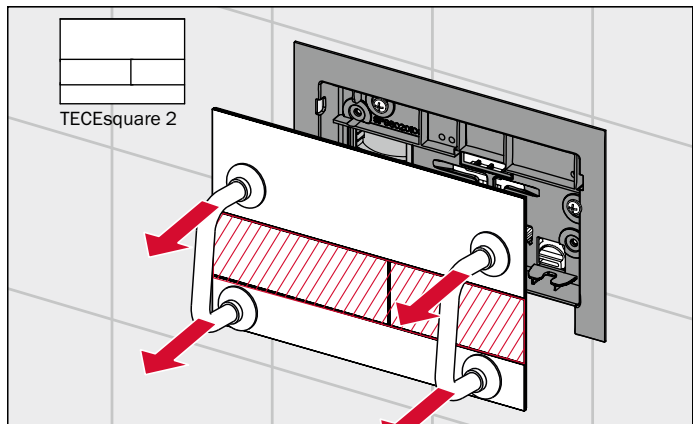
TECEsquare II metal



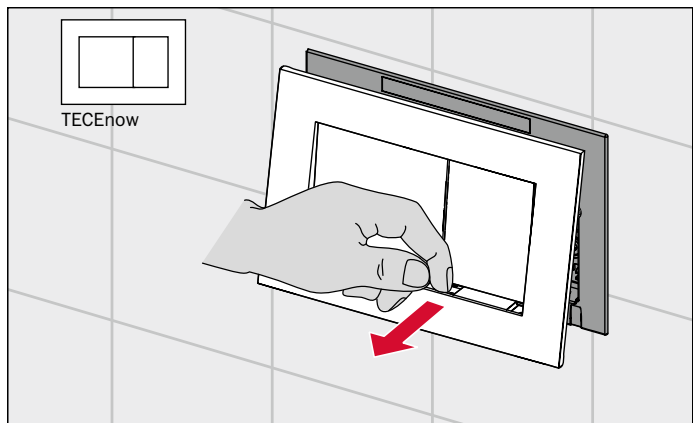
TECEnow



The insert chute is easy to use in just a few simple steps:



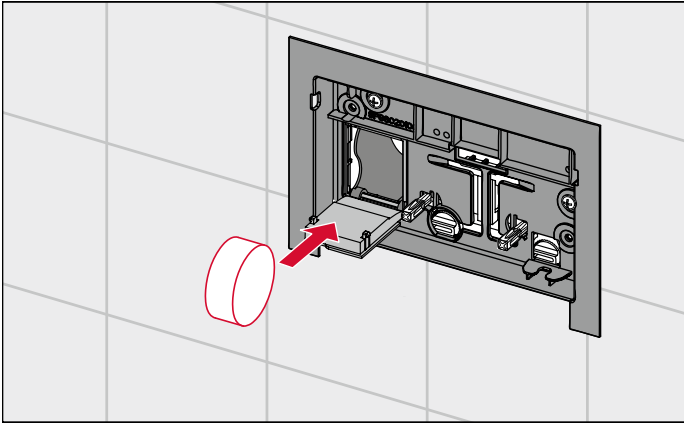
TECEsquare 2



TECEnow

The flush plate cover for the TECEnow can be removed by hand. For the TECEsquare II, use the bow-handles.





The tablet can now be placed in the insert chute through the red flap. The tablet falls into the collector basket from where it releases its active ingredients into the water.

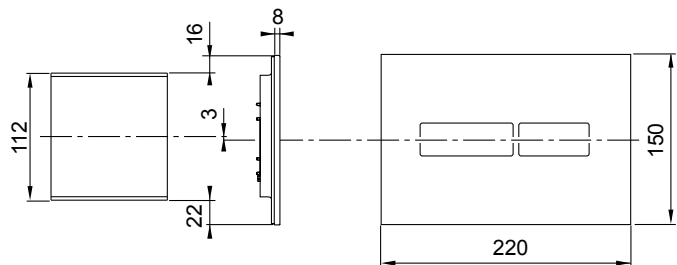
**Note:**

The cleaning tablets used must not contain chlorine or any other oxidizing substances.

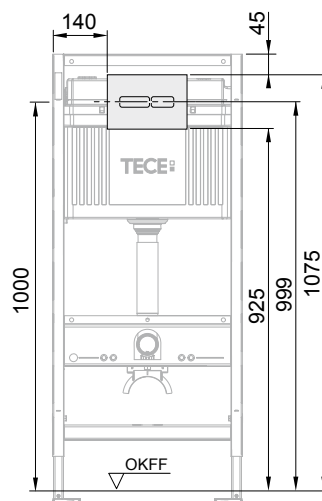
# TECE flush plates – installation dimensions

## Installation dimensions for TECE flush plates

### TECElux Mini

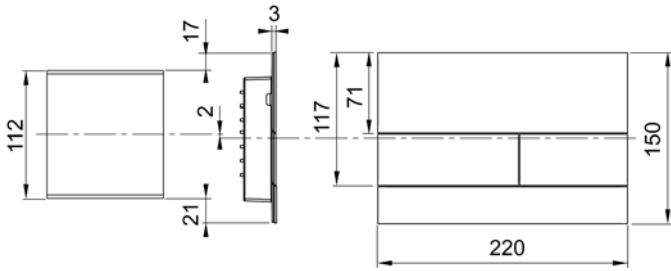


Dimensions of toilet flush plate and bare-wall protection for vertical slot alignment

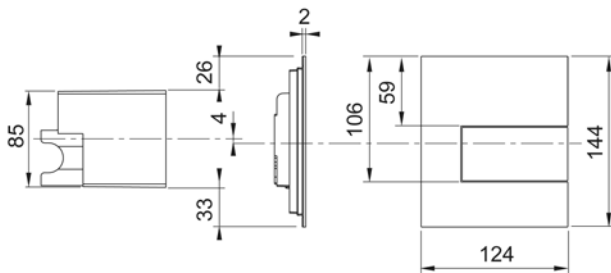


Toilet flush plate with 1120 mm module

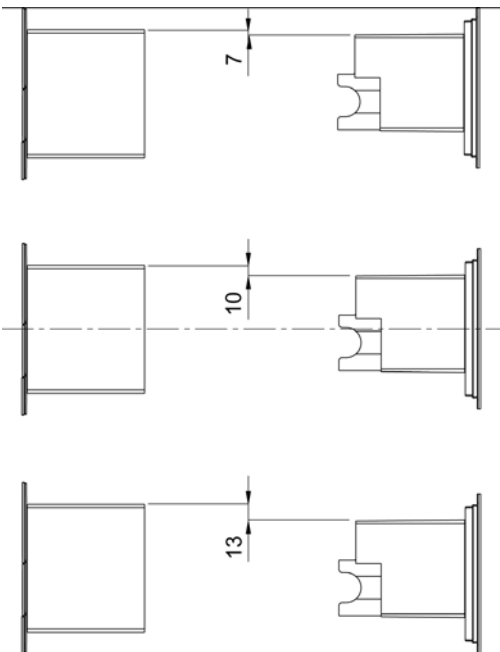
## TECESquare II metal



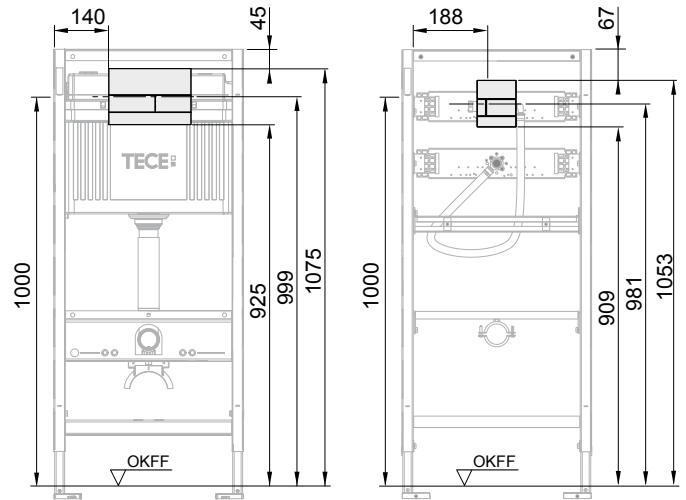
Dimensions of toilet flush plate and bare-wall protection for vertical slot alignment



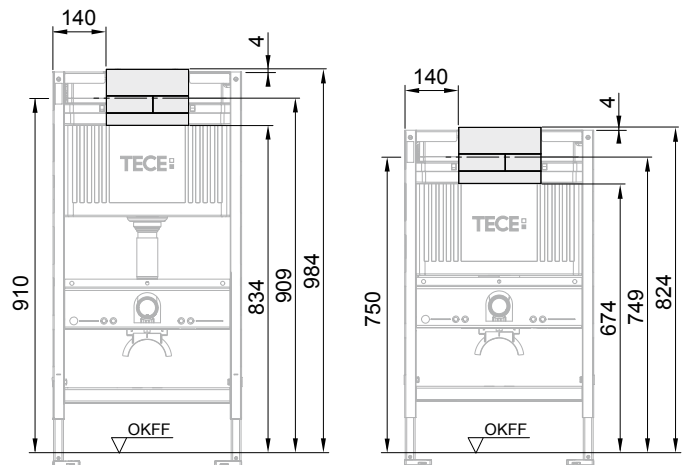
Urinal flush plate and bare-wall protection for vertical slot alignment



Toilet flush plate (left) and urinal flush plate (right):  
 - Installation flush at the top (top illustration)  
 - Centred installation (centre illustration)  
 - Installation flush at the bottom (bottom illustration)



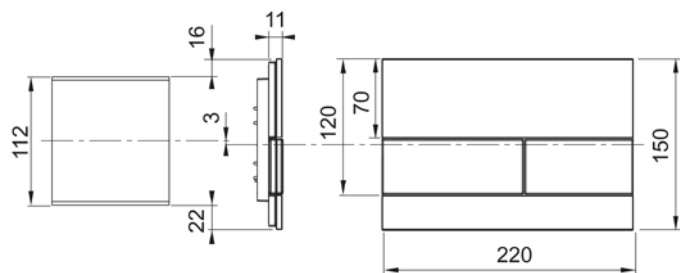
Toilet flush plate (left) and urinal flush plate (right) with 1120 mm module



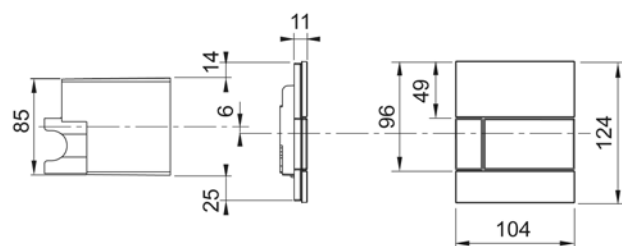
Toilet flush plate with 980 mm module (left) and 820 mm module (right)

# TECE flush plates – installation dimensions

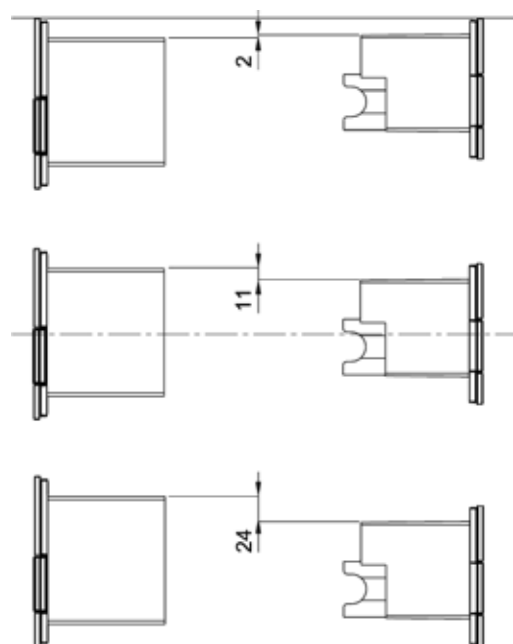
## TECEsquare glass



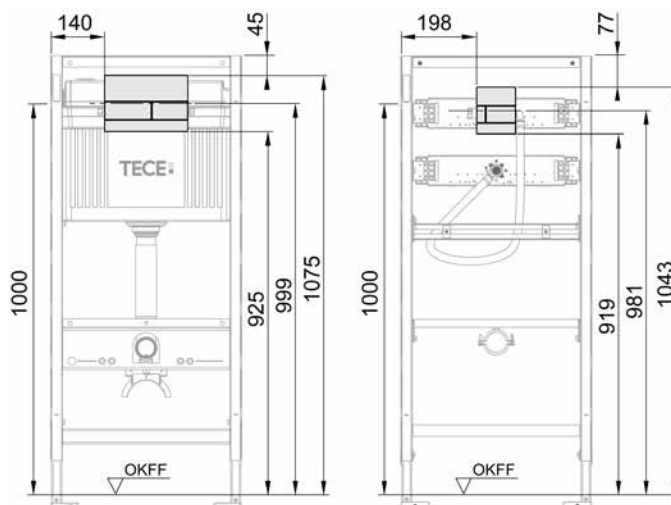
Dimensions of toilet flush plate and bare-wall protection for vertical slot alignment



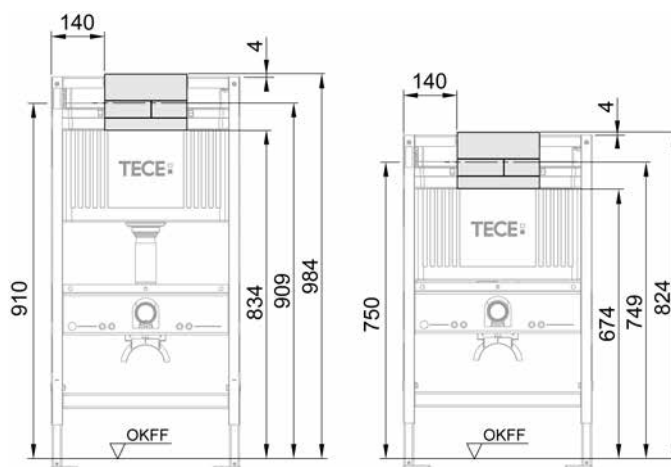
Urinal flush plate and bare-wall protection for vertical slot alignment



Toilet flush plate (left) and urinal flush plate (right):  
 - Installation flush at the top (top illustration)  
 - Centred installation (centre illustration)  
 - Installation flush at the bottom (bottom illustration)

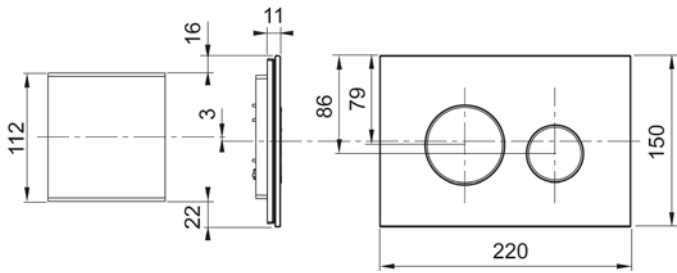


Toilet flush plate (left) and urinal flush plate (right) with 1120 mm module

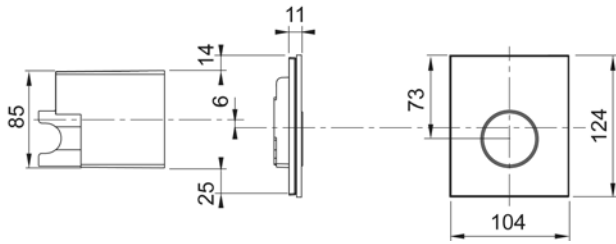


Toilet flush plate with 980 mm module (left) and 820 mm module (right)

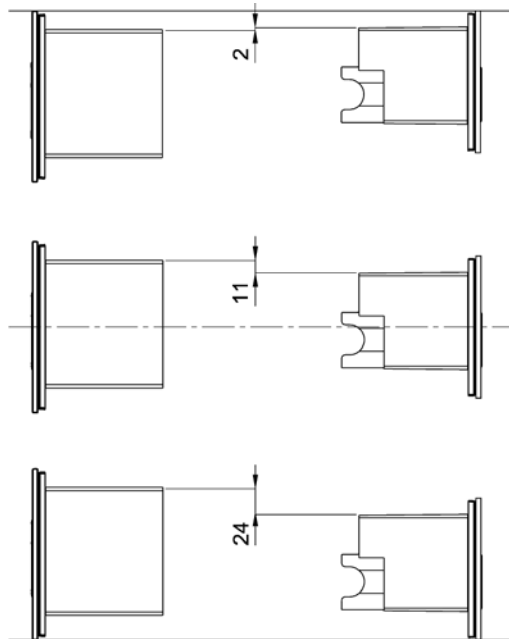
### TECEloop glass



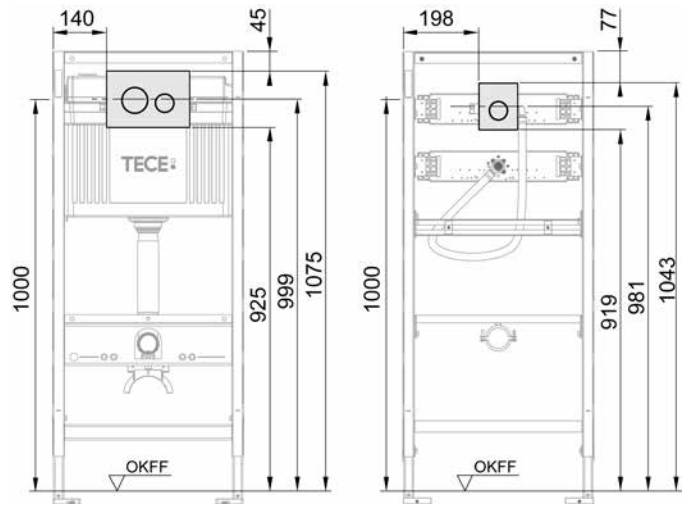
Dimensions of toilet flush plate and bare-wall protection for vertical slot alignment



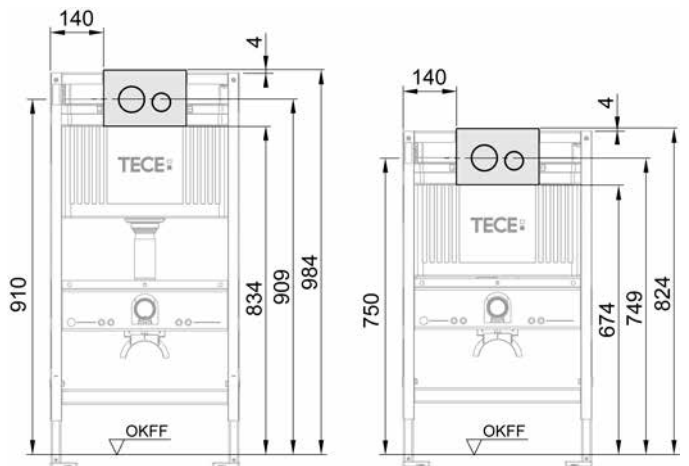
Urinal flush plate and bare-wall protection for vertical slot alignment



Toilet flush plate (left) and urinal flush plate (right):  
 - Installation flush at the top (top illustration)  
 - Centred installation (centre illustration)  
 - Installation flush at the bottom (bottom illustration)



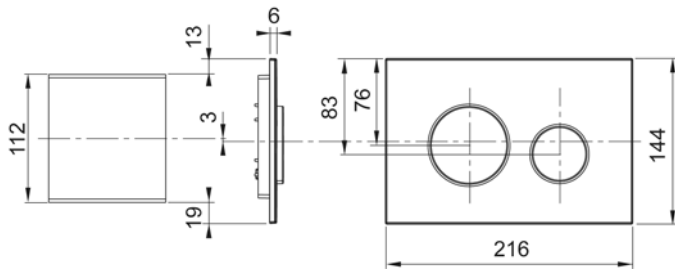
Toilet flush plate (left) and urinal flush plate (right) with 1120 mm module



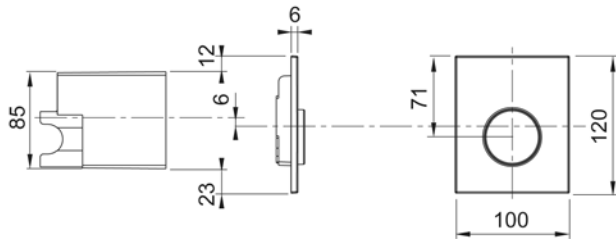
Toilet flush plate with 980 mm module (left) and 820 mm module (right)

# TECE flush plates – installation dimensions

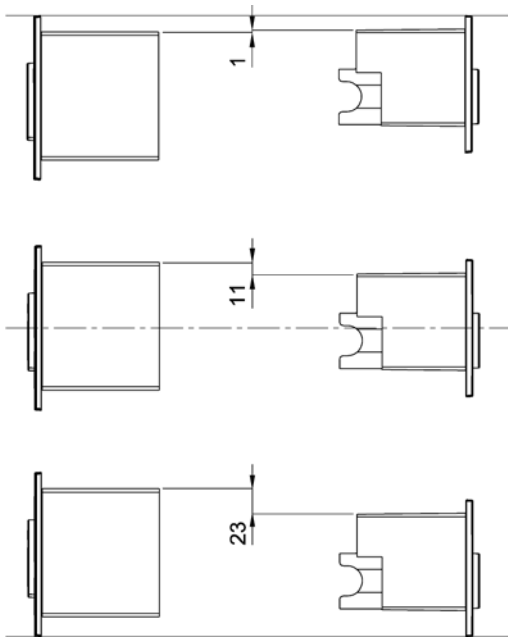
## TECEloop plastic



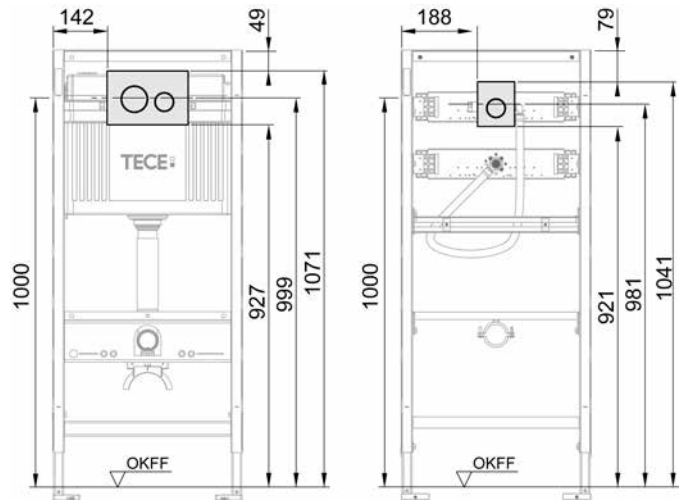
Dimensions of toilet flush plate and bare-wall protection for vertical slot alignment



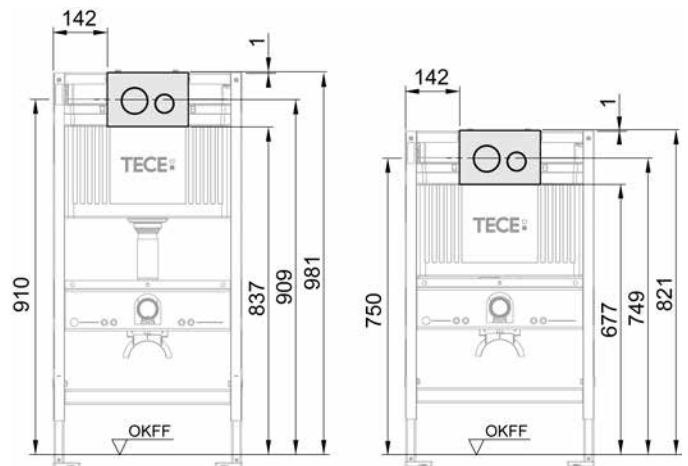
Urinal flush plate and bare-wall protection for vertical slot alignment



Toilet flush plate (left) and urinal flush plate (right):  
 - Installation flush at the top (top illustration)  
 - Centred installation (centre illustration)  
 - Installation flush at the bottom (bottom illustration)

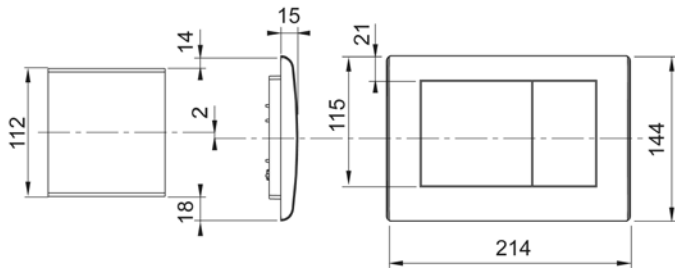


Toilet flush plate (left) and urinal flush plate (right) with 1120 mm module

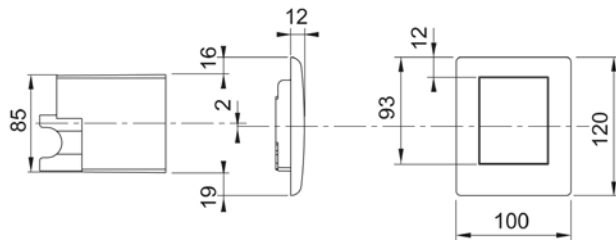


Toilet flush plate with 980 mm module (left) and 820 mm module (right)

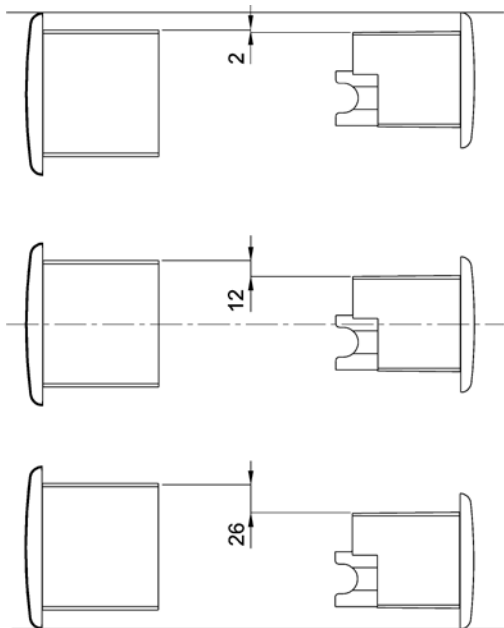
## TECEplanus



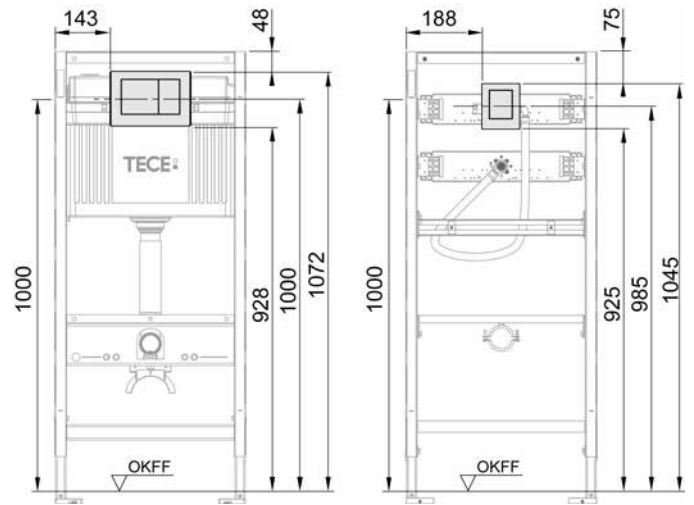
Dimensions of toilet flush plate and bare-wall protection for vertical slot alignment



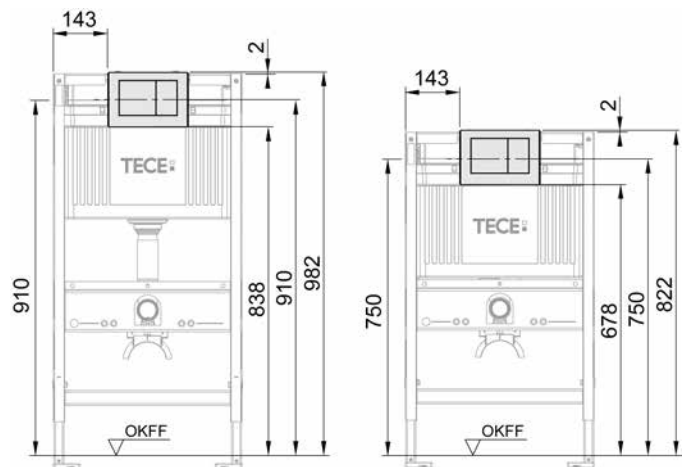
Urinal flush plate and bare-wall protection for vertical slot alignment



Toilet flush plate (left) and urinal flush plate (right):  
 - Installation flush at the top (top illustration)  
 - Centred installation (centre illustration)  
 - Installation flush at the bottom (bottom illustration)



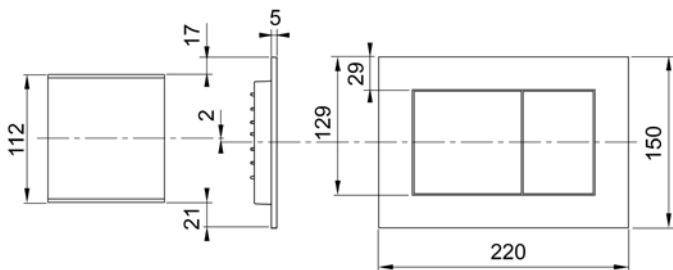
Toilet flush plate (left) and urinal flush plate (right) with 1120 mm module



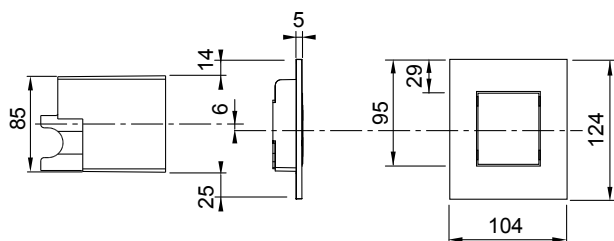
Toilet flush plate with 980 mm module (left) and 820 mm module (right)

# TECE flush plates – installation dimensions

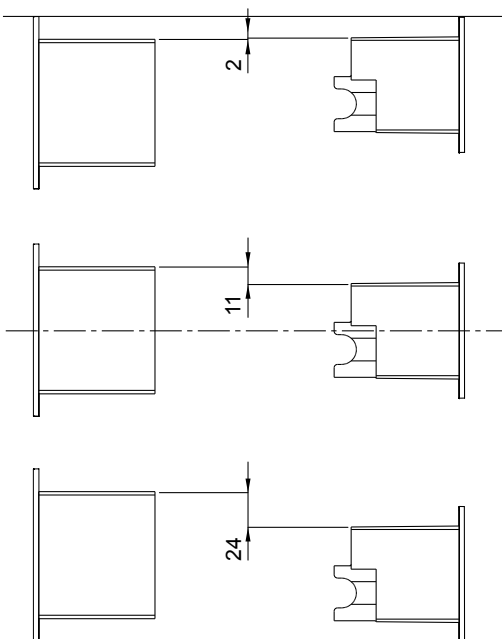
## TECEnow



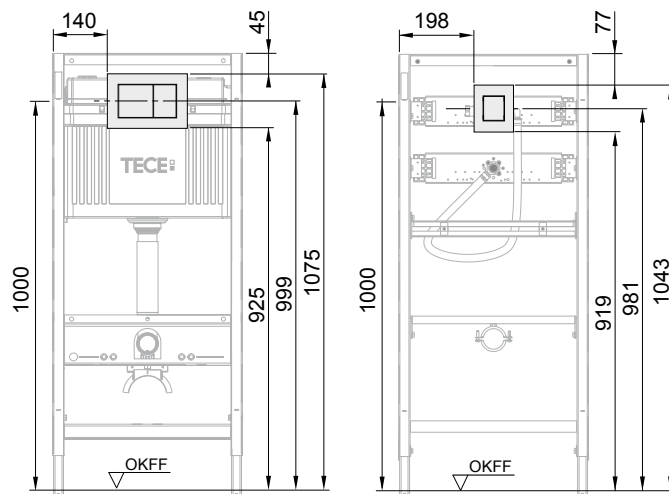
Dimensions of toilet flush plate and bare-wall protection for vertical slot alignment



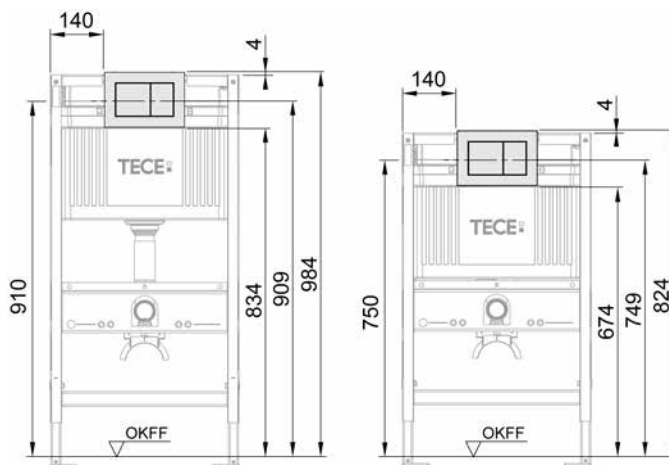
Urinal flush plate and bare-wall protection for vertical slot alignment



Toilet flush plate (left) and urinal flush plate (right):  
 - Installation flush at the top (top illustration)  
 - Centred installation (centre illustration)  
 - Installation flush at the bottom (bottom illustration)



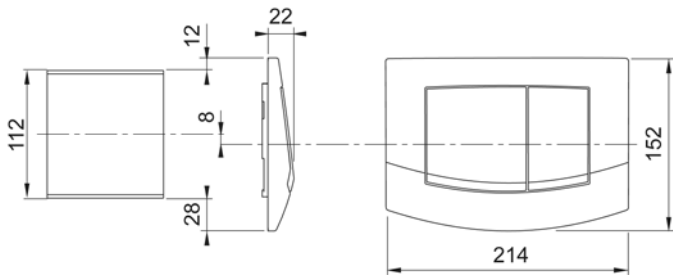
Toilet flush plate (left) and urinal flush plate (right) with 1120 mm module



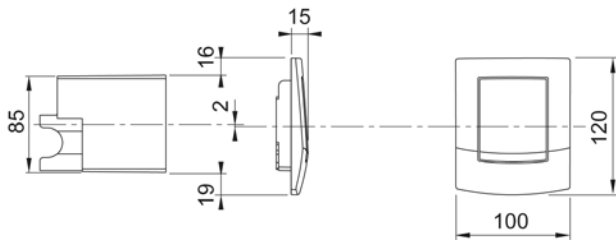
Toilet flush plate with 980 mm module (left) and 820 mm module (right)



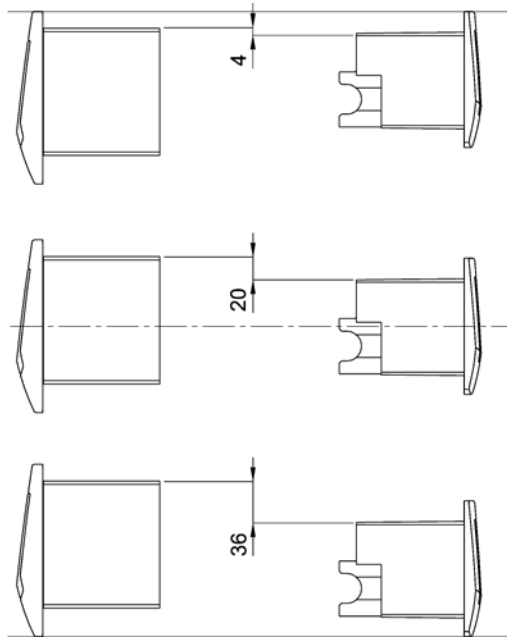
## TECEambia



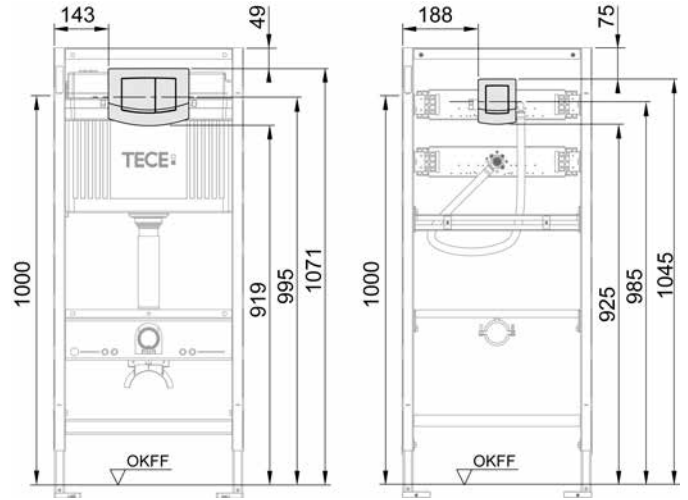
Dimensions of toilet flush plate and bare-wall protection for vertical slot alignment



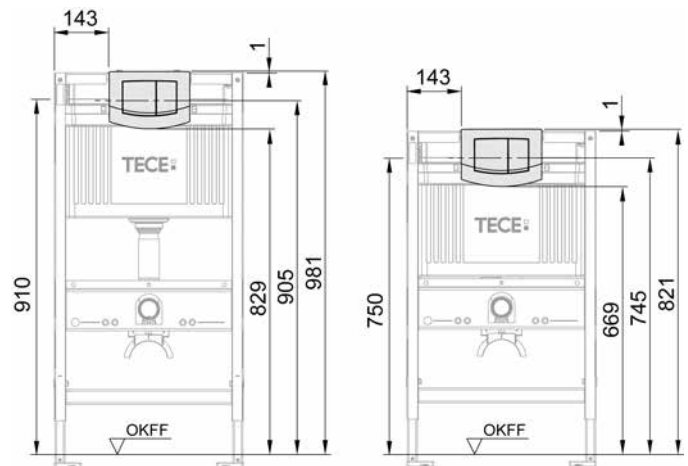
Urinal flush plate and bare-wall protection for vertical slot alignment



Toilet flush plate (left) and urinal flush plate (right):  
 - Installation flush at the top (top illustration)  
 - Centred installation (centre illustration)  
 - Installation flush at the bottom (bottom illustration)



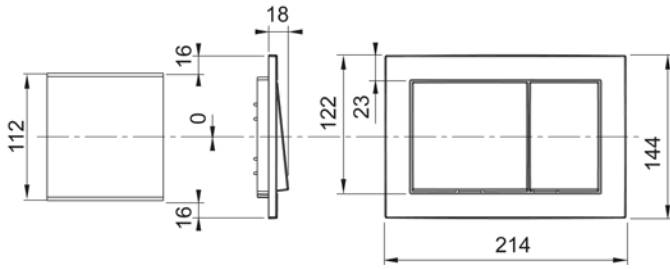
Toilet flush plate (left) and urinal flush plate (right) with 1120 mm module



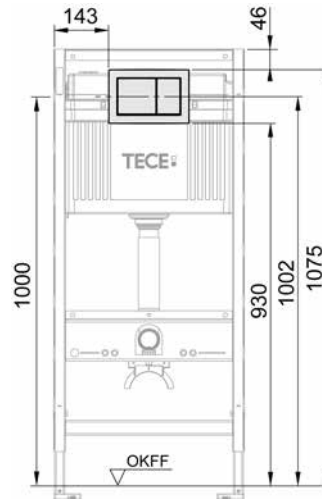
Toilet flush plate with 980 mm module (left) and 820 mm module (right)

# TECE flush plates – installation dimensions

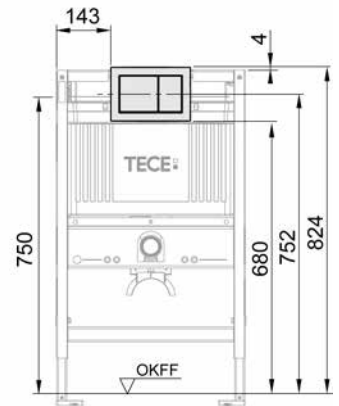
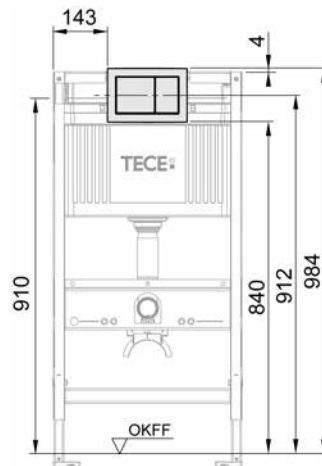
## TECEbase



Dimensions of toilet flush plate and bare-wall protection for vertical slot alignment

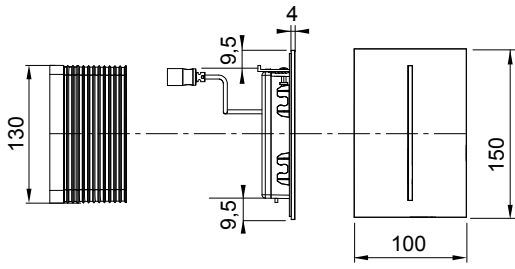


Toilet flush plate with 1120 mm module

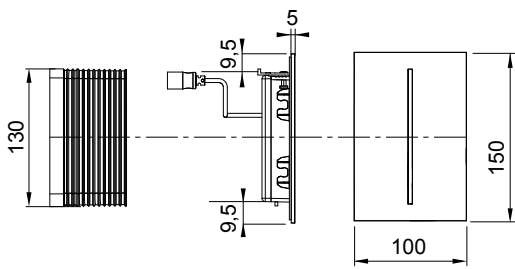


Toilet flush plate with 980 mm module (left) and 820 mm module (right)

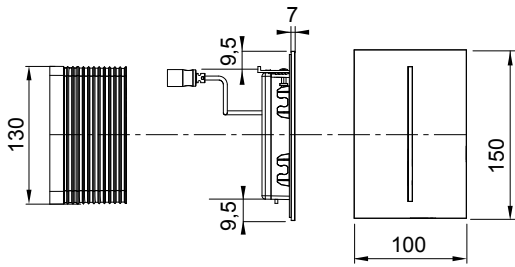
### TECEfilo



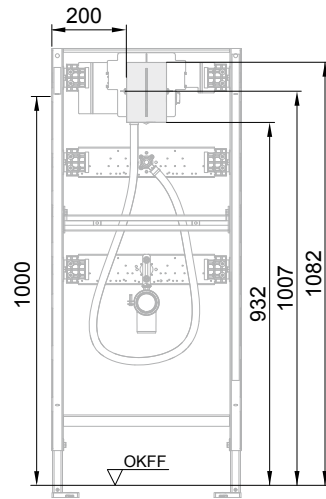
Dimensions of metal urinal electronics and bare-wall protection for vertical slot alignment



Dimensions of plastic urinal electronics and bare-wall protection for vertical slot alignment



Dimensions of glass urinal electronics and bare-wall protection for vertical slot alignment



TECEfilo urinal electronics with module (U 2 flush valve housing) 1120 mm



All data contained in the Technical Guidelines has been compiled with the utmost care. The correctness of the data presented cannot be guaranteed, however. TECE assumes no liability for damages resulting from the use of this information. Text and images are protected by copyright law.

© Copyright 2018, TECE GmbH, Hollefeldstraße 57, 48282 Emsdetten, Germany

More information on  
[www.tece.com](http://www.tece.com)

**TECE GmbH**  
P +49 25 72 / 9 28 999  
[international-business@tece.com](mailto:international-business@tece.com)  
[www.tece.com](http://www.tece.com)