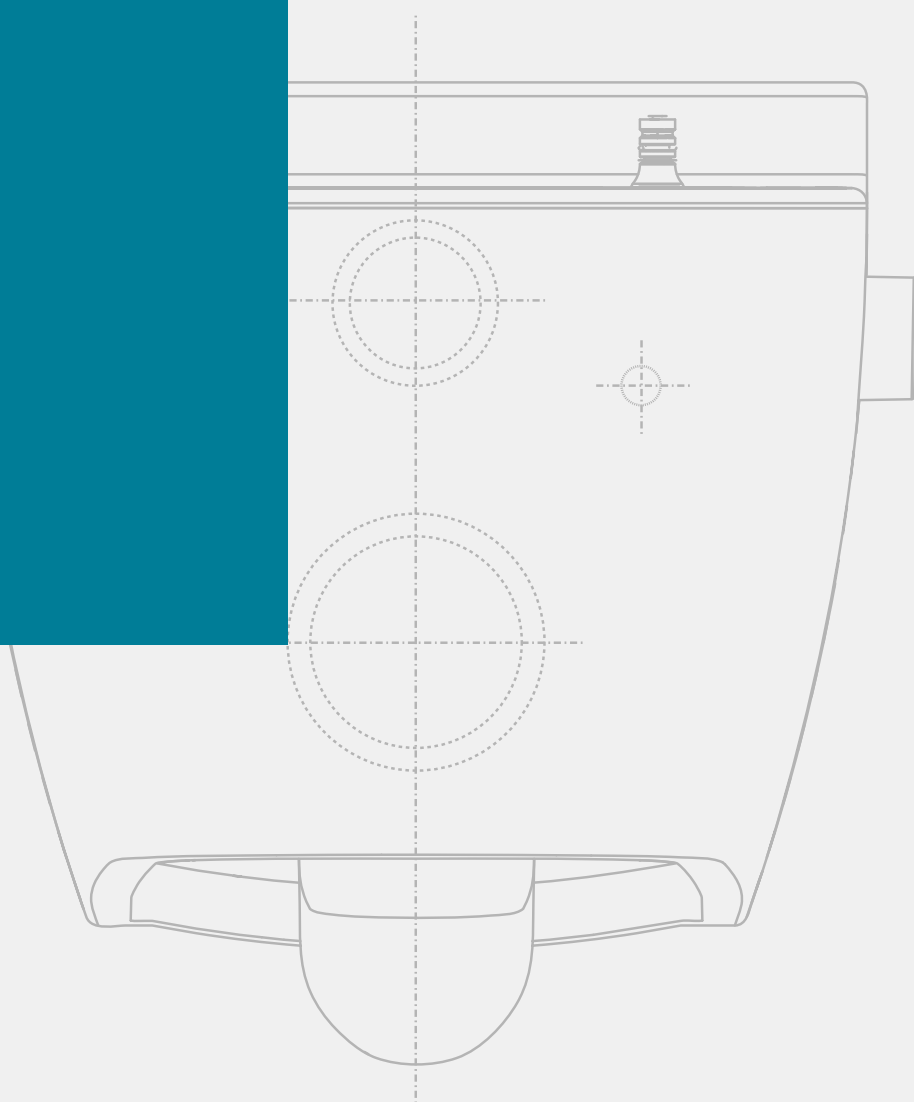




Sanitary systems

TECEone

TECHNICAL GUIDELINES



Introduction	10-4
System description	10-5
Functions	10-5
Technical data	10-5
Dimensions	10-5
Approval and certificates	10-5
Operation	10-6
Planning and assembly	10-7
Water connection device	10-7
Mounting the toilet ceramic	10-7
Temperature adjustment	10-9
Mounting the toilet seat	10-11
Cleaning and maintenance	10-11
Faults	10-12
Servicing and replacement parts	10-12

TECEone – Introduction

Introduction

TECEone is a wall-mounted toilet ceramic with a shower function, intended for washing your backside and intimate areas. It can also be used as an ordinary toilet ceramic without the shower function.

TECEone not only shines with inner values — it looks pretty good too! Thanks to its timeless, elegant design, it integrates into any bathroom ambience, and combines well with existing bathroom furnishings.



- 1 Hot and cold water connection, angle valves
- 2 Temperature setting rotary knob, thermostat valve
- 3 Water volume rotary knob
- 4 Shower unit with shower arm
- 5 Standardised protective device according to DIN EN 1717

Toilet ceramic with a shower function — what sounds like twice the fitting work is actually really easy: TECEone is a new product solution but features technology with which the fitter is already familiar from the shower fitting, and which does not require any electricity:

System description

Functions

Rotary knobs for controlling the volume of water and regulating the temperature

The rotary knobs for controlling the volume of water (left) and regulating the temperature (right) are located on the side of the ceramic. Operation is intuitive. TECE relies on proven technology in this area.

The EN 1717-compliant safeguard is integrated into the TECEone, which means that the product does not have to be separately equipped with safety fittings.

Shower arm

By turning the rotary knob, the shower arm automatically extends, regulating the quantity of water by increasing the water pressure applied. Gently turning the volume controller allows cooled water to run out first. Following a warm water shower, the shower arm retracts, cleaning itself automatically in the process. (The shower arm also cleans itself when extending.)

The shower nozzle cap can be replaced — various versions are available with differently angled jets and intensities.

Toilet seat

The ergonomically-shaped toilet seat and lid with soft-close function have been developed specially for TECEone. The attachment is already installed and immovably cast with the ceramic.

Technical data

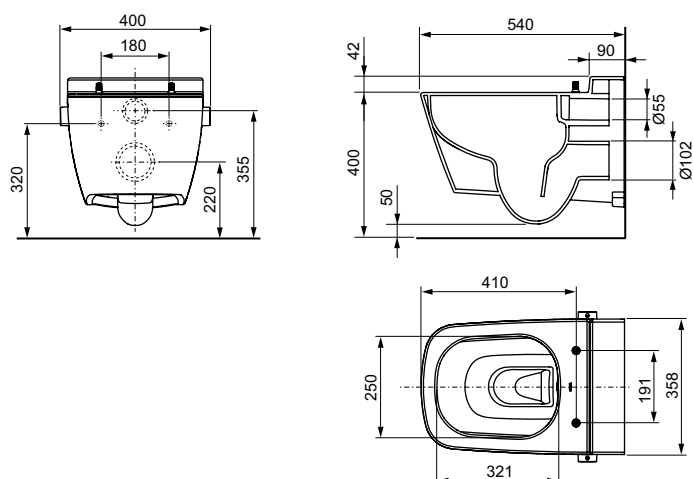
Temperature range 10-38 °C

Water pressure min. 1 bar (0.1 MPa)

max. 10 bar (1 MPa)

Water consumption up to 5.6 l/min.

Dimensions



Approval and certificates

TECEone complies with all relevant standards and guidelines. The DVGW W 540 mark of conformity confirms that TECEone is equipped with the required protective device in accordance with DIN EN 1717 for the protection of potable water, and thus fulfils the appropriate requirements. The toilet ceramic also satisfies the requirements of DIN EN 997 (European standard for toilet bowls and toilet systems), while the toilet seat fulfils the requirements of DIN 19516 (Toilet seats requirements and test methods).

Standards/guidelines	
Protection against pollution of potable water in water installations	DIN EN 1717
Intrinsically safe equipment for connection to potable water installations	DVGW worksheet W 540
Protective devices for protecting potable water	DIN EN 13079
Toilet bowls and toilet systems with a pre-formed odour trap	DIN EN 997
Toilet seats – Requirements and test methods	DIN 19516

Current approvals and certificates can be found at www.tece.com.

TECEone – Operation

Operation

Operating elements

TECEone is operated intuitively using the right and left rotary knobs:



- “Water regulation” right rotary knob (pictured left): use this knob to open the water supply to the shower nozzle and to regulate the intensity of the water jet. After a certain volume of water starts to flow, the shower arm extends “automatically” outwards.
- “Temperature setting” left rotary knob (pictured right): use this knob to set the temperature of the water for washing your backside and intimate areas.

Testing the temperature of the water when using for the first time

- Turn the temperature regulator as far as it will go to the highest possible temperature.
- Hold a suitable container (e.g. cup) in front of the shower arm.
- Turn the right knob and test the water to check the temperature. If the temperature is higher than 38 °C, it must be reset. The corresponding procedure can be found in the Installation and Assembly/Temperature setting chapter.
- Turn the left rotary knob to the required temperature or to the middle position.
- Turn the right rotary knob as far as it will go to turn off the water supply.

Starting the shower function

- If necessary, turn the right rotary knob only slightly: the shower arm does not yet extend and cooled water may run into the ceramic, at the same time the shower nozzle is rinsed and washed with water (pictured left).



- Fully turn the right rotary knob: The shower arm now extends completely and you can start washing with water (pictured right).
- You can increase or reduce the volume of water by turning the right rotary knob until you achieve the required result.
- You can set the required temperature of water by turning the left rotary knob – including during operation.
- To turn off the shower function, turn the knob back as far as it will go.

Remove the toilet lid.

- Lift up the toilet lid and toilet seat.
- Remove the two set screws from the hinges using an Allen key (2.5 mm).
- Hold the toilet lid and seat with both hands and pull them gently upwards.

Note: During assembly, after mounting both hinges, press down on the attachment bolts – at the same time, applying slight pressure.

Replacing the shower nozzle caps

The scope of delivery also includes three shower nozzle caps (standard 75°).

To replace them, proceed as follows:

- Turn the right rotary knob until the shower arm extends a little.
- Pull out the shower arm with your hand and turn off the water supply (pictured left).
- Hold the shower arm firmly with one hand and with the other, pull the cap forwards until it comes off the shower arm (pictured right).
- Then push your chosen shower cap – with the opening pointing upwards – onto the shower arm until it gently locks into position.

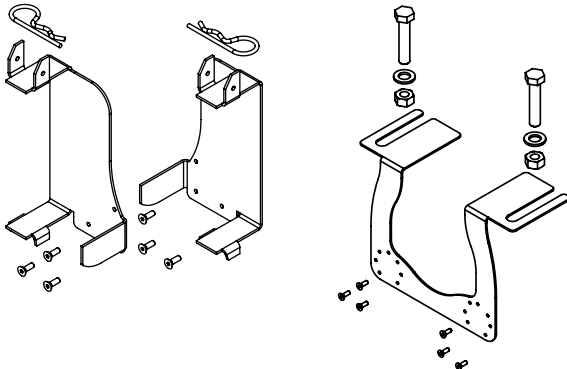


As an option, additional shower caps can be ordered which differ from each other in terms of the intensity and position of the shower spray (see “Replacement parts” section).

Planning and assembly

Water connection device

TECEone is operated with fresh hot and cold water from the pipe. Corresponding upgrade kits are available for installing and precisely positioning the water connections for the different TECE modules:

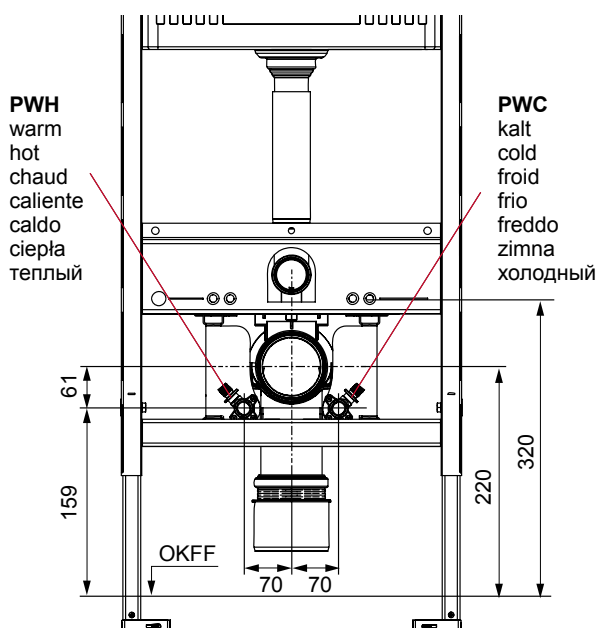


Dry-wall upgrade kit
Order number 9880046

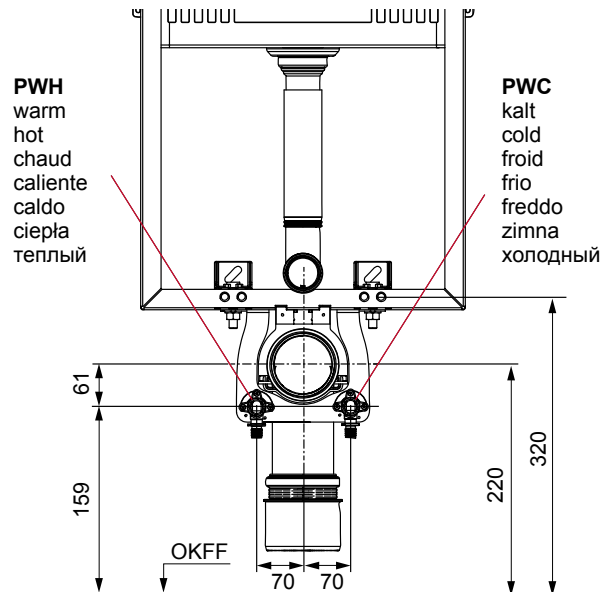
Brick wall upgrade kit
Order number 9880047

You can find the information required for using a TECElux module in connection with a TECE in the “TECElux” technical information.

For the water connection, we recommend connecting the shortest possible stub line to the circulating hot water pipe. This will take the requirements for comfort and hygiene into account in the best possible way.



Dry-wall connection and dimensions

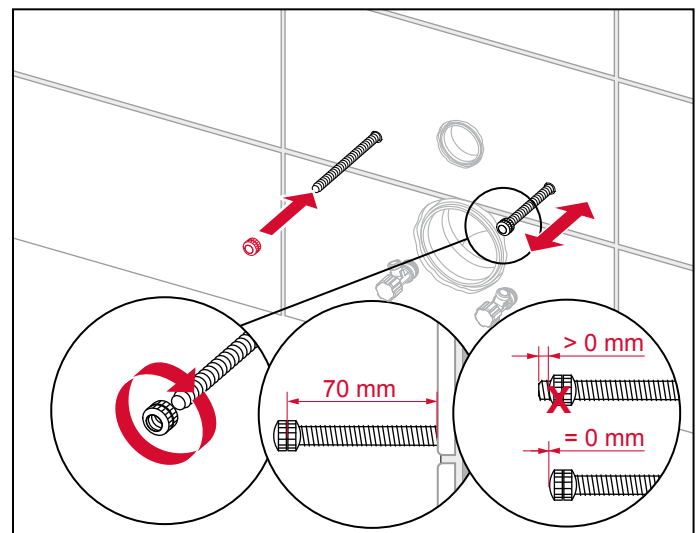


Brick wall connection and dimensions

Mounting the toilet ceramic

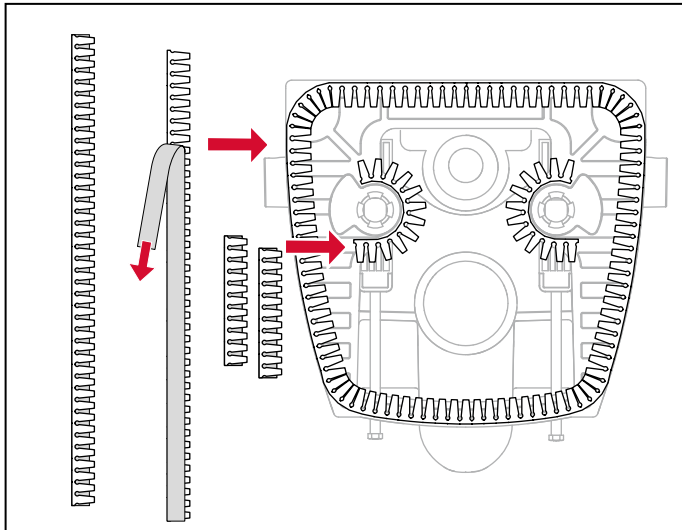
Refer to the installation instructions provided with the product for a detailed depiction of the individual steps.

Here, we would just like to draw your attention to a few points which should be taken into account when mounting a TECEone:

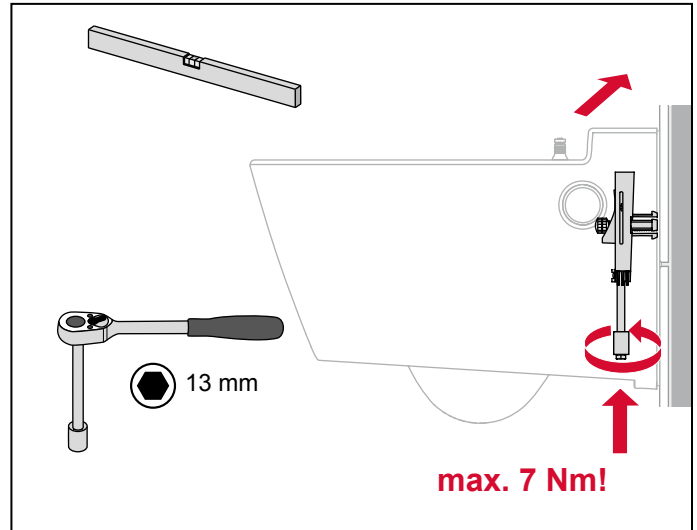


The threaded rods should be screwed in or cut off so that the distance between the groove of the knurled nut and the wall is 70 mm. The threaded rod should not protrude out of the knurled rod.

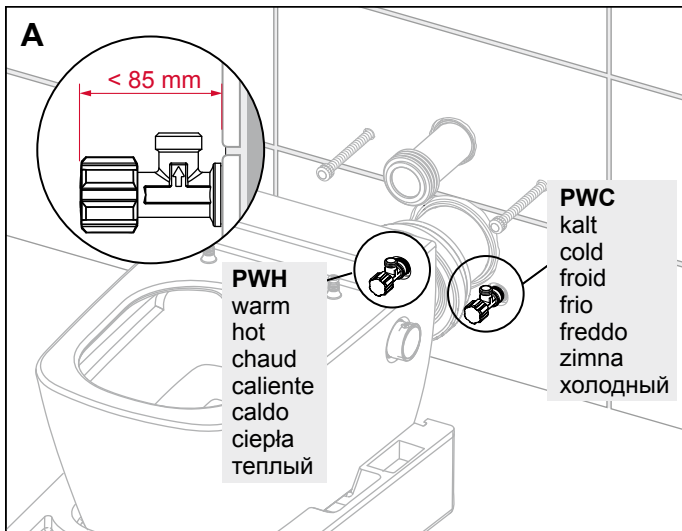
TECEone – Planning and assembly



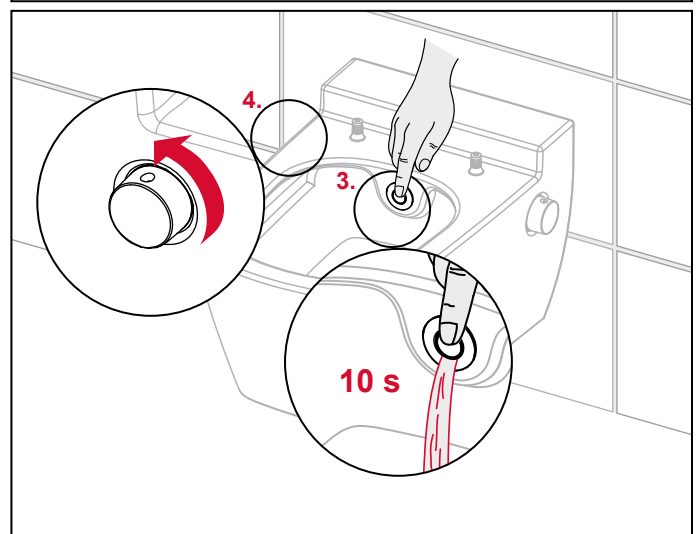
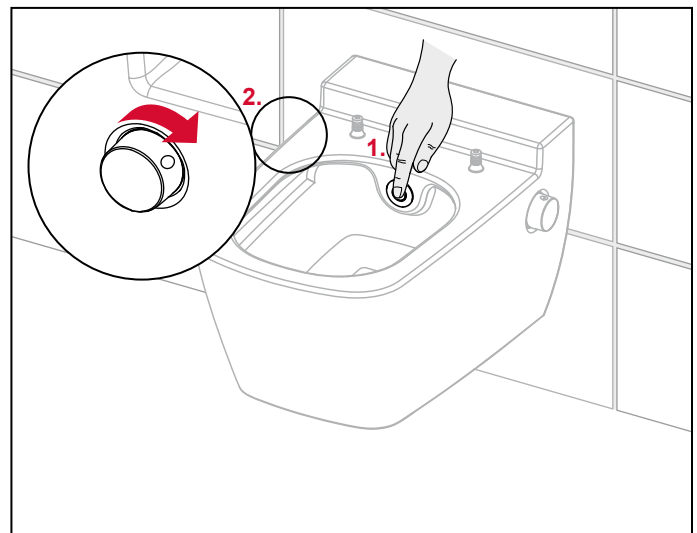
Attach the sound insulation strips to the back of the ceramic.



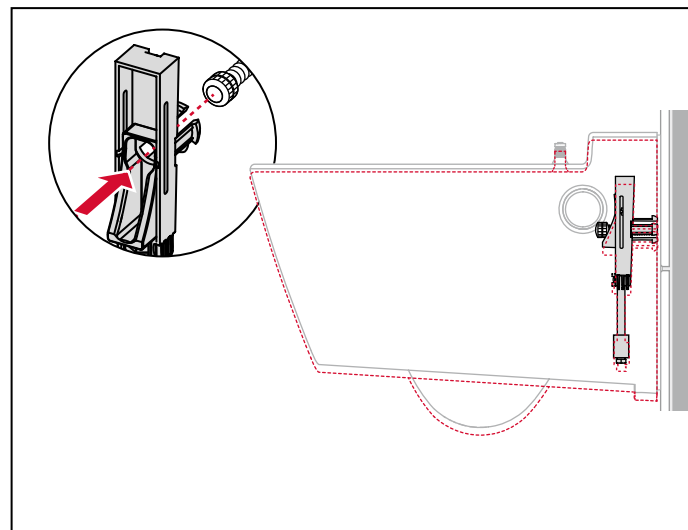
Secure it with the concealed fitting (13 mm ratchet) from the underside of the toilet ceramic. Observe the maximum torque of 10 Nm.



Combine the colour-coded reinforced hoses with the appropriate corner valves. Use conventional corner valves with a maximum length of 85 mm. Push the ceramic against the wall with the aid of the mounting accessory (packaging).

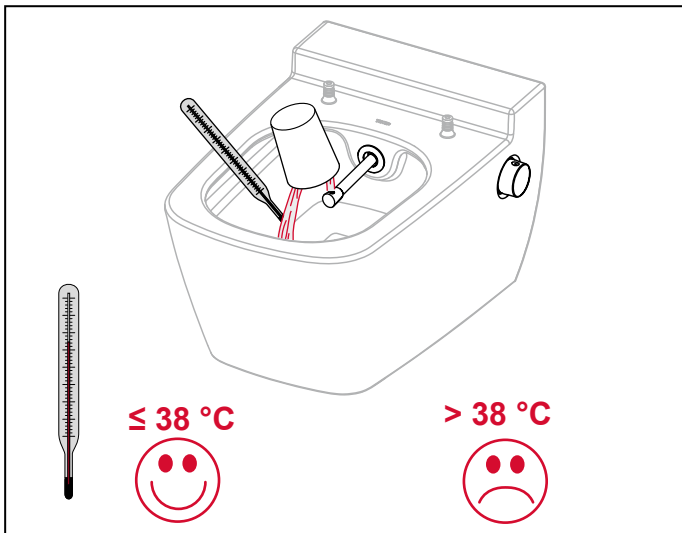
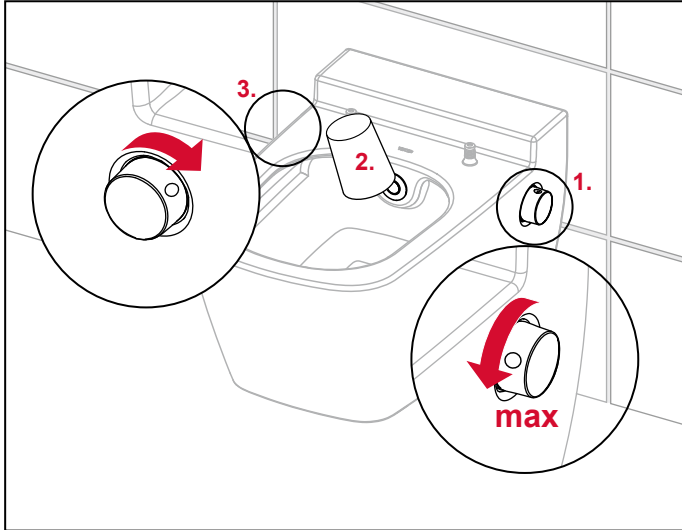


To flush the protective device through, put your hand in front of the shower nozzle and, at the same time, press the water volume control knob. Allow the water to run into the ceramic for 10 seconds.



Temperature adjustment

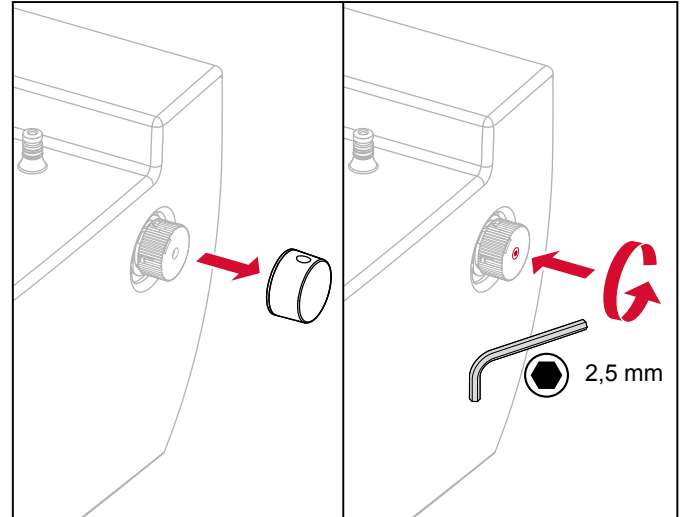
After installing the toilet ceramic, check the hot water temperature, as is the customary procedure when using thermostatic cartridges.



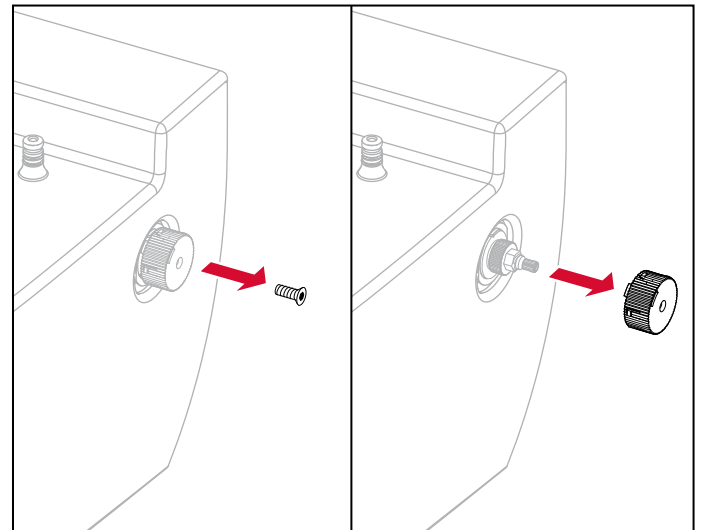
To do this, turn the temperature controller to the maximum temperature, then open the water volume control knob and measure the temperature.

If the measured temperature is not higher than 38 °C, you do not need to do anything else and can use the TECEone immediately.

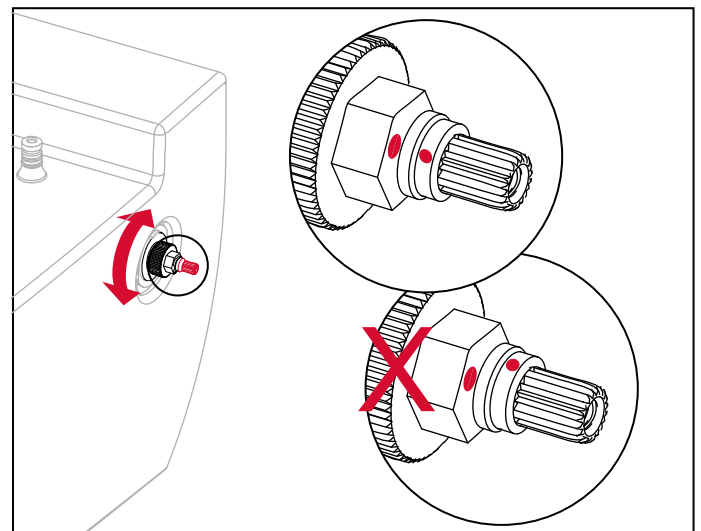
However, if the measured water temperature is higher than 38 °C, follow the steps below to adjust the temperature.



First, remove the cap from the rotary knob.

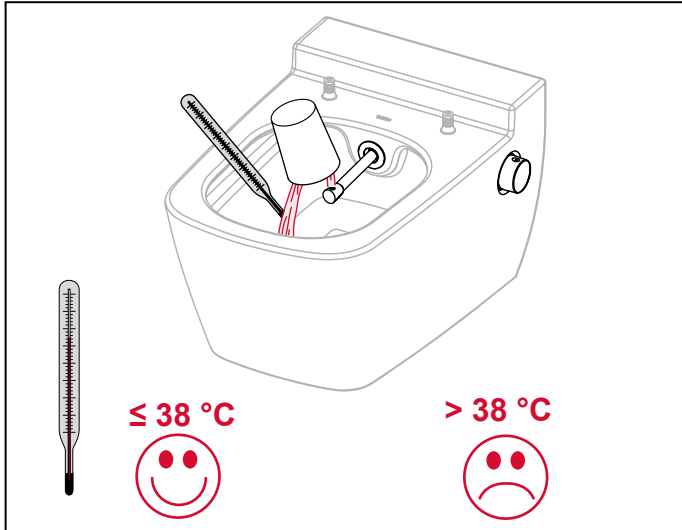


Then remove the cap holding fixture — the screw is secured with a seal.

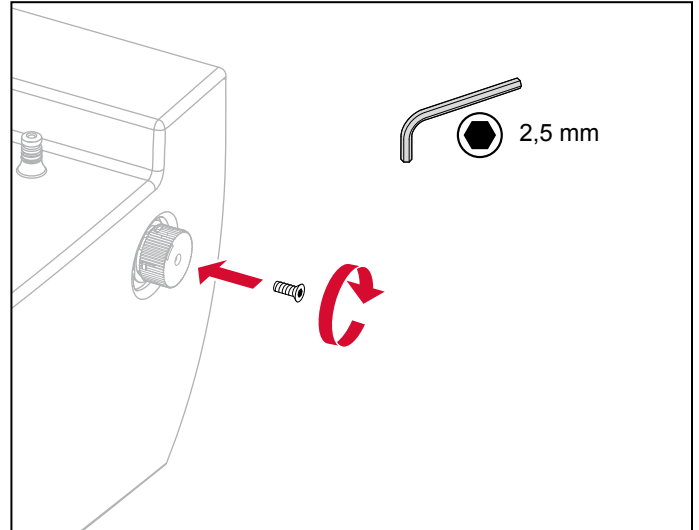


Turn the toothed shaft until the two red marks are aligned.

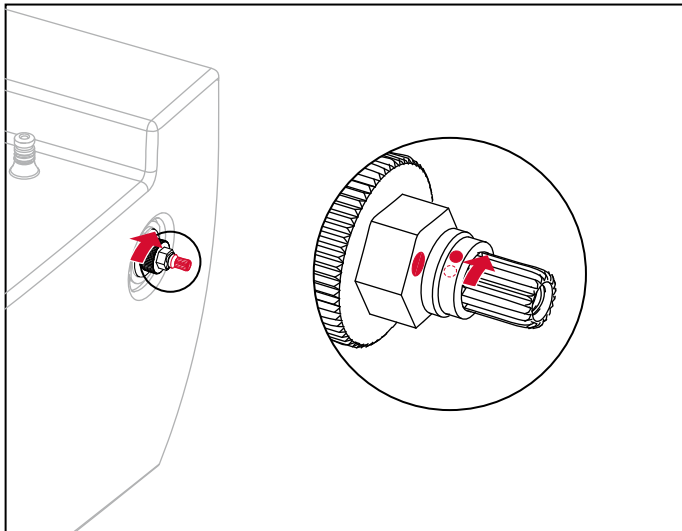
TECEone – Planning and assembly



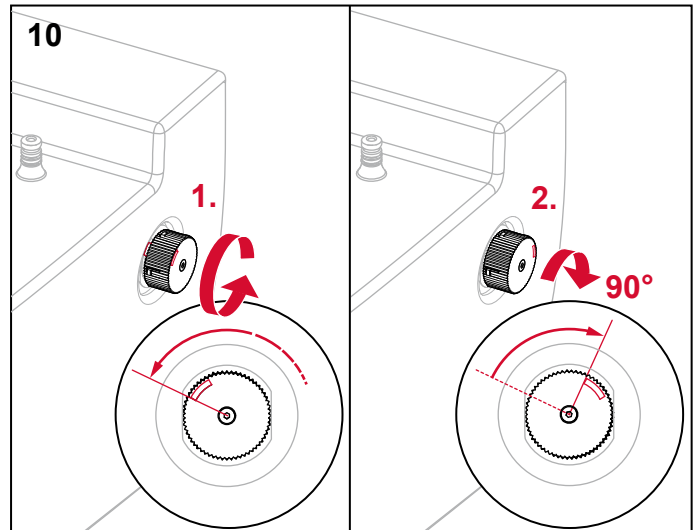
Now open the water volume control knob and measure the temperature again.



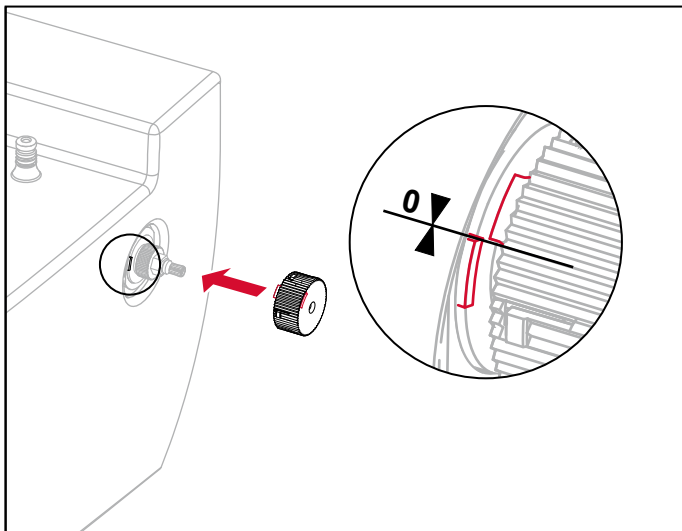
Tighten the screw.



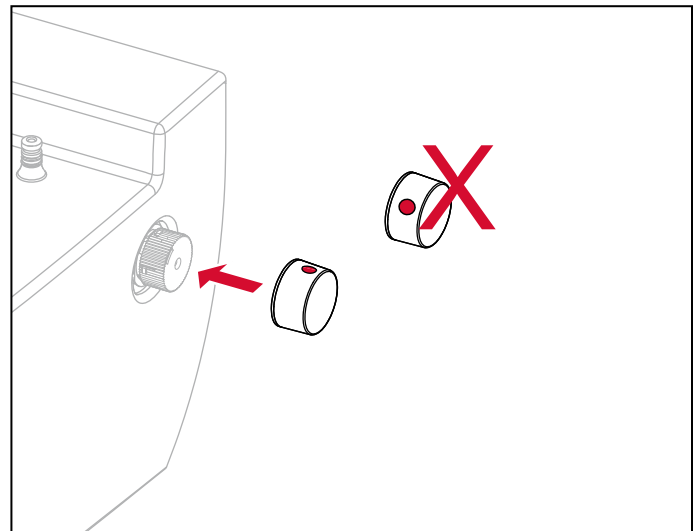
If the temperature is still too high, turn the marking on the toothed shaft slightly to the right.



Turn the cap holding fixture up to the left stop, then turn it 90° to the right.



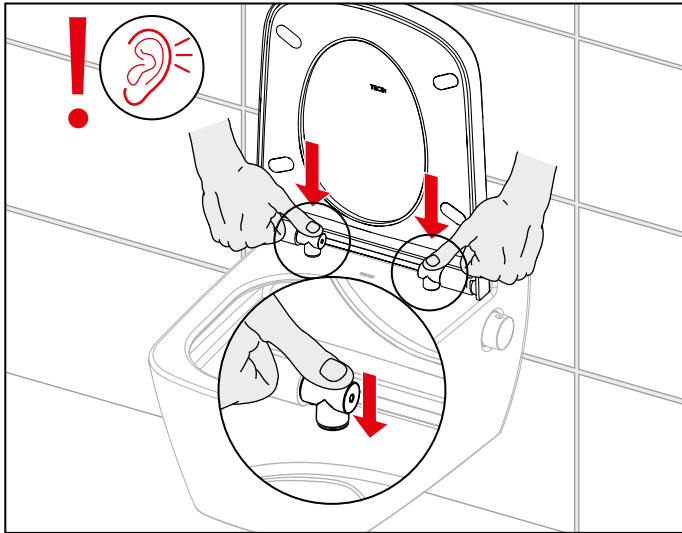
Fit the cap holding fixture onto the toothed shaft until it reaches the stop (scald protection).



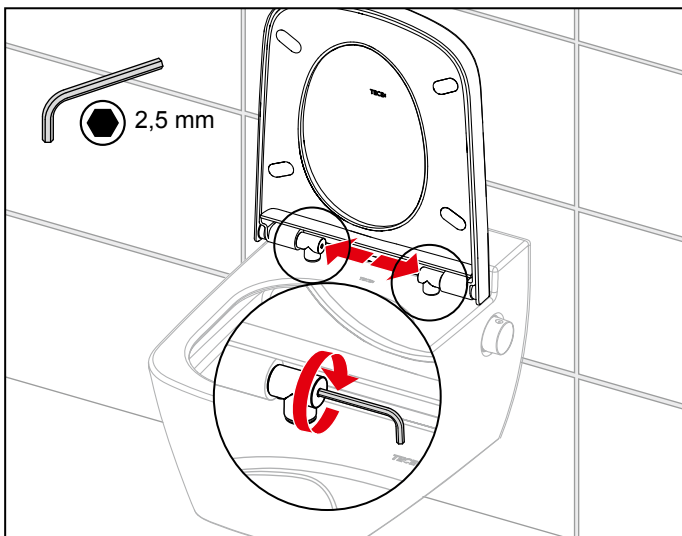
Place the rotary knob cap on the fixture so that the marking is pointing upwards.

Mounting the toilet seat

TECEone should always be used in combination with the TECEone set with lid. The toilet seat and lid fixings are already in place and immovably cast with the ceramic.



When installing the seat, gently apply pressure to push the hinges (pictured left) onto the attachment bolts until they click into place.



Finally, secure the seat using the set screws.

Cleaning and maintenance

Lid and toilet seat, control knobs

Clean the lid, toilet seat and control knobs every day using a soft cloth and warm water with a mild household cleaner. Do not use abrasive, chlorine-based or acidic cleaning products.

When cleaning the ceramic, always open the lid or remove it completely so that any rising vapours cannot damage the plastic.

WC ceramic

Clean the ceramic regularly or as soon as it gets dirty. Use a commercial sanitary cleaner to regularly clean the ceramic. To remove limescale, use a commercial limescale remover or a vinegar-based cleaner. Always follow the manufacturer's instructions when using a cleaning product. Avoid any contact with hard or metal objects which could damage or mark the surface.

Shower arm

- Slightly turn the right rotary knob to the self-cleaning position: The shower arm does not extend and the water rinses the shower nozzle, cleaning it in this position.
- In the event of stubborn soiling, turn the right rotary knob until the shower arm extends with a small jet of water. Remove the dirt with the aid of a suitable brush or a soft cloth. Only use a mild cleaning detergent when doing so.



If using water with a very high lime content, lime deposit can build up on the shower cap, shower arm, the protective device and the hygiene system. This can be removed using a commercial limescale remover or a vinegar-based cleaner. In the event of stubborn limescale, these components can be replaced.

TECEone – Servicing and replacement parts

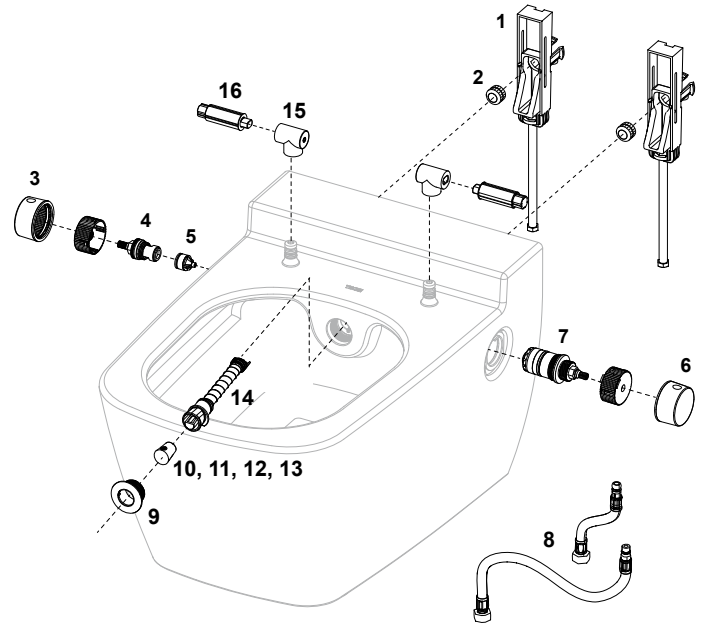
Faults

The TECEone has been built in such a way that problems are extremely unlikely and may only occur in very few cases. However, if a fault should occur, it is generally best to contact a suitable specialist (i.e. fitter).

Problem	Possible cause	Solution
Water is running/ dripping out of the ceramic.		Close the corner valve or the main valve and call the fitter.
The shower arm does not extend.	The water pressure is too low.	Call the fitter.
The shower jet is too weak.	The water supply hose is bent.	Call the fitter.
	The shower nozzle or shower cap is blocked/ calcified.	Clean the shower cap or the shower arm with a suitable brush or replace it in the same way as when removing limescale.
No water comes out of the shower nozzle.	The water supply has been switched off.	Check whether or not the corner valves are turned or check the central water feed supply.
The temperature of the water is suddenly too high or too low.	The temperature cartridge is faulty.	Call the fitter.

Servicing and replacement parts

TECE trusts in proven technology, however, should any components need to be replaced or serviced, TECEone replacement parts are listed below.

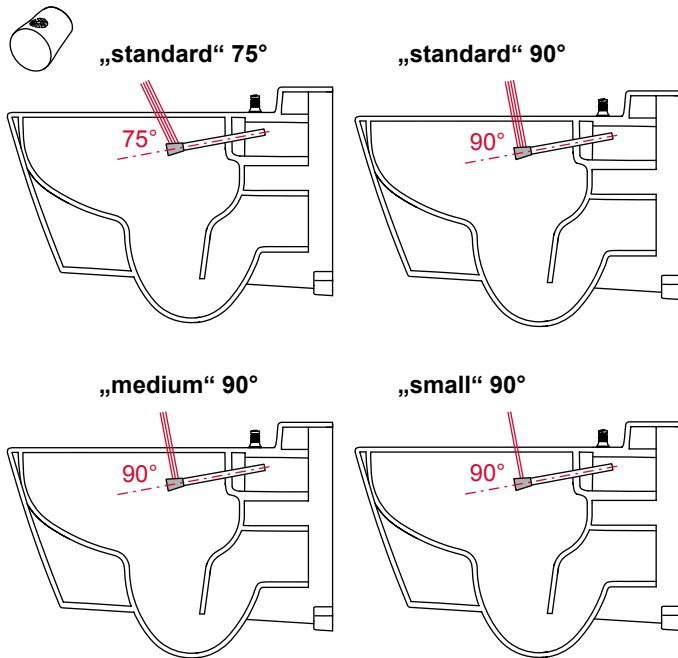


No.	Order no.	Designation
1	9820356	Concealed mounting
2	9820357	Knurled nut (x 2) for concealed mounting
3	9820362	Operating knob water volume
4	9820358	Ceramic cartridge
5	9820359	Protective device to DIN EN 1717
6	9820361	Temperature control knob
7	9820360	Thermostatic cartridge
8	9820365	Reinforced hoses, hot and cold
9	9820364	Rosette
10	9820403	Shower nozzle cap (x 3) "standard" 75°
11	9820404	Shower nozzle cap (x 3) "standard" 90°
12	9820405	Shower nozzle cap (x 3) "medium" 90°
13	9820406	Shower nozzle cap (x 3) "small" 90°
14	9820363	Shower arm
15	9820367	Fittings (x 2)
16	9820366	Damper for seat and lid (x 2)

The required installation information is included in the scope of delivery for the replacement parts (thermostatic cartridge, ceramic cartridge, protective device, shower arm, shower nozzle cap). Corresponding videos can also be found on the Internet at www.tece.com.

Shower nozzle caps

TECEone shower nozzle caps come in four versions which differ from each other in terms of intensity and position of the shower spray:



The as-delivered state of the TECEone includes three “standard” 75° caps.

All data contained in the Technical Guidelines has been compiled with the utmost care. The correctness of the data presented cannot be guaranteed, however. TECE assumes no liability for damages resulting from the use of this information. Text and images are protected by copyright law.

© Copyright 2018, TECE GmbH, Hollefeldstraße 57, 48282 Emsdetten, Germany

More information on
www.tece.com

TECE GmbH
P +49 25 72 / 9 28 999
international-business@tece.com
www.tece.com