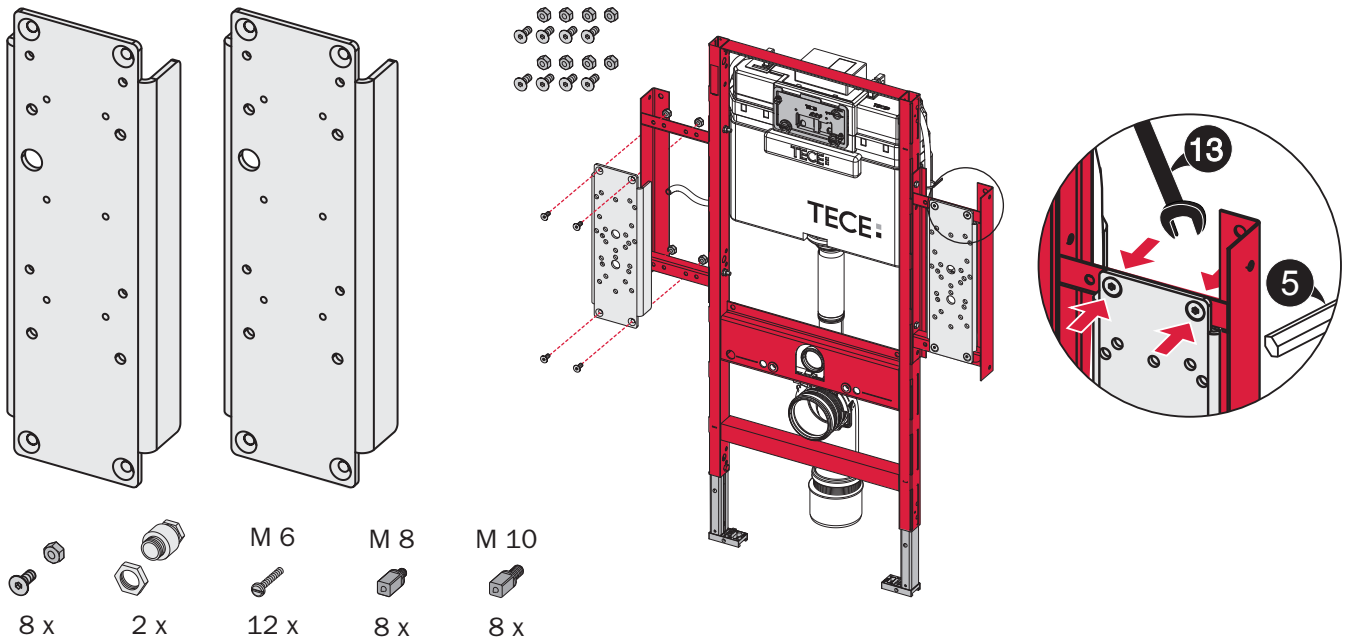
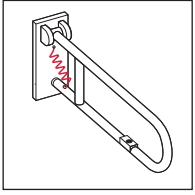


TECEprofil – 9.042.011



Hersteller/manufacturer	Typ/type	Seite/page
Erlau	Economy, Premium	2
Frelu	10.052.00, 10.053.00 10.052.01, 10.053.01 10.054.00, 10.055.00 10.054.01, 10.055.01 10.074.00, 10.075.00	3
Linido	LI2603.300 (ab 1.8.2009)	4

TECEprofil – 9.042.011

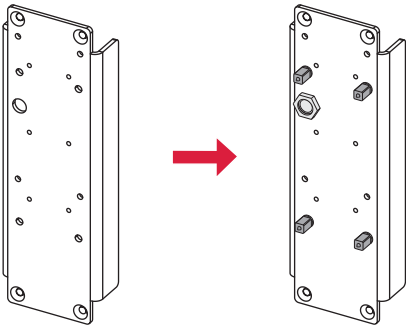


Erlau

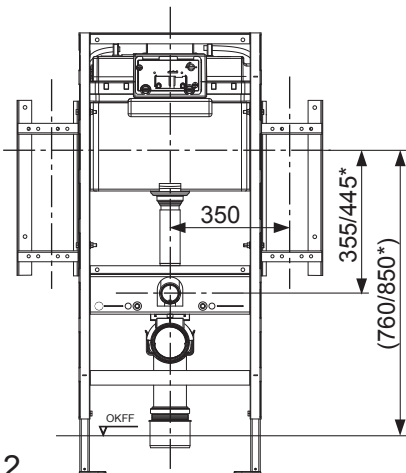
Economy, Premium

355/445*
(760/850*)

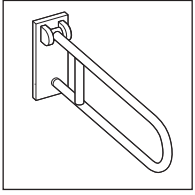
350



* DIN 18 024-2: 355 (760) mm
DIN 18 040-1: 445 (850) mm

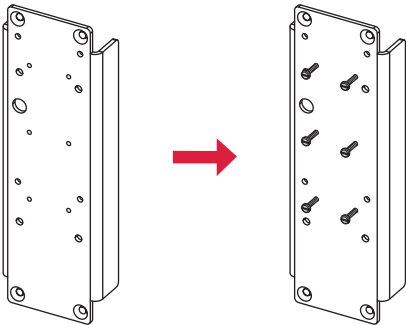


TECEprofil – 9.042.011



Frelu

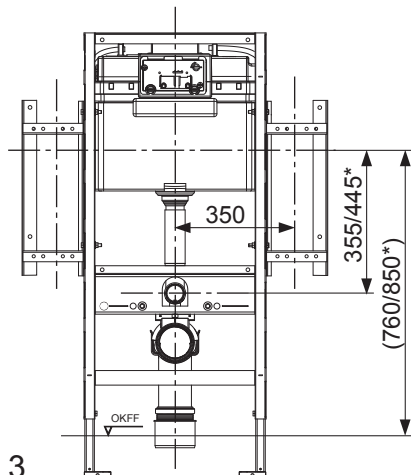
10.052.00, 10.053.00
10.052.01, 10.053.01
10.054.00, 10.055.00
10.054.01, 10.055.01
10.074.00, 10.075.00



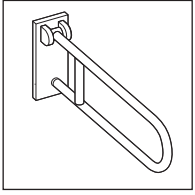
355/445*
(760/850*)

350

* DIN 18 024-2: 355 (760) mm
DIN 18 040-1: 445 (850) mm



TECEprofil – 9.042.011



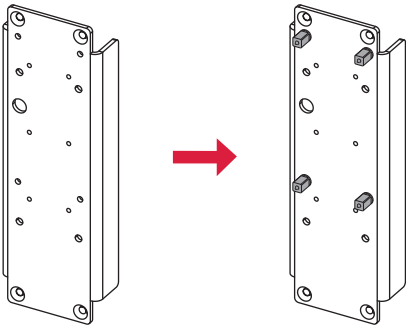
Linido

LI2603.300

(ab 1.8.2009)

355/445*
(760/850*)

350



* DIN 18 024-2: 355 (760) mm
DIN 18 040-1: 445 (850) mm

