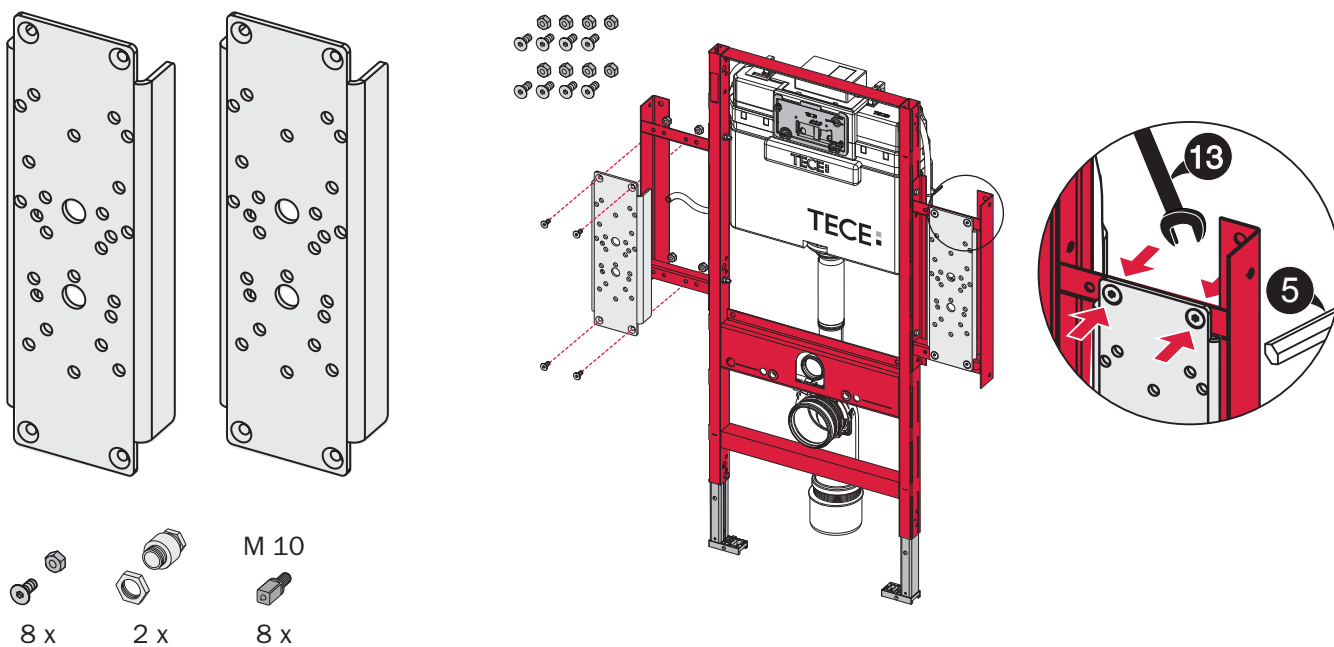
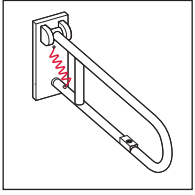


TECEprofil – 9.042.010



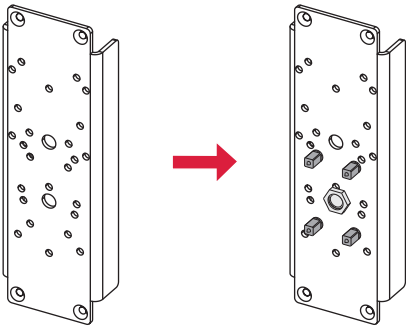
Hersteller/manufacturer	Typ/type	Seite/page
Erlau	Ovalgripp	2
	Rund- u. Wellgripp	3
Hewi	Lifesystem	4
	801/805	5
Keuco	Collection Plan	6
Linido	LI2601	7
Normbau	CombiLine, NylonLine, StainlessLine	8
Pressalit	Care R3016-RF016, R3018-RF018	9

TECEprofil – 9.042.010

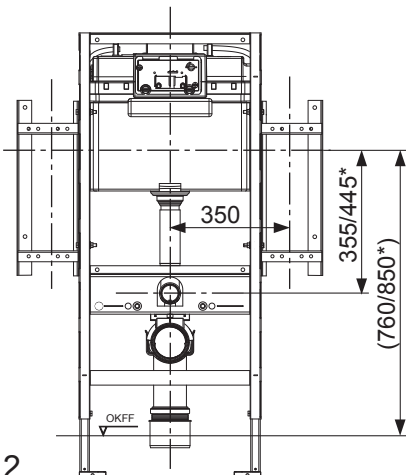


Erlau

Ovalgrip

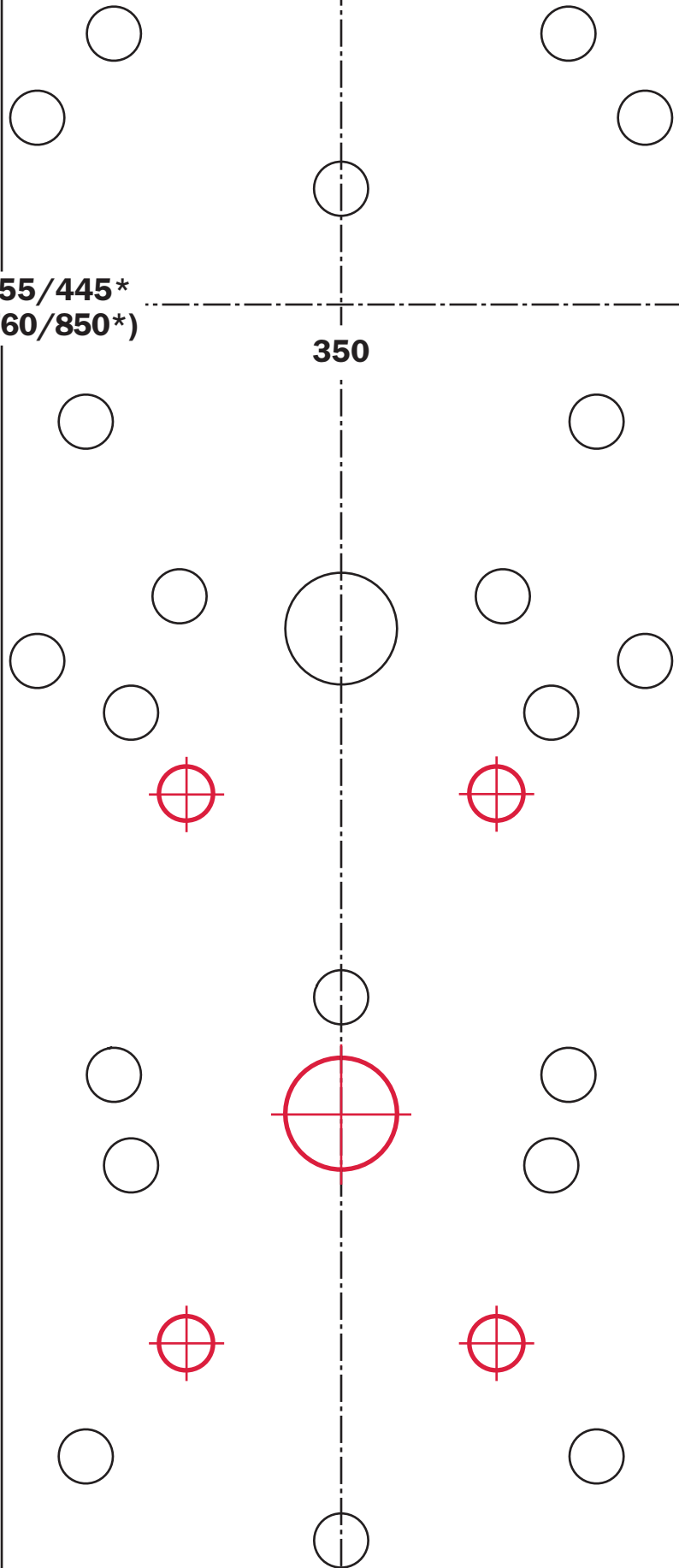


* DIN 18 024-2: 355 (760) mm
DIN 18 040-1: 445 (850) mm

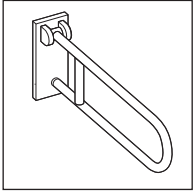


355/445*
(760/850*)

350

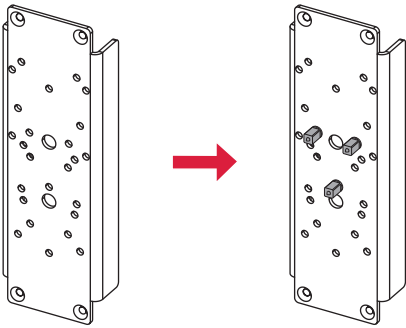


TECEprofil – 9.042.010

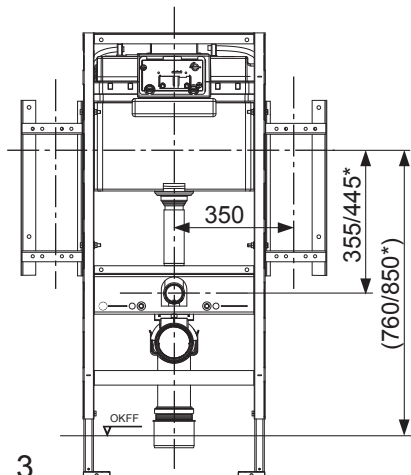


Erlau

Rund- u. Wellgrip

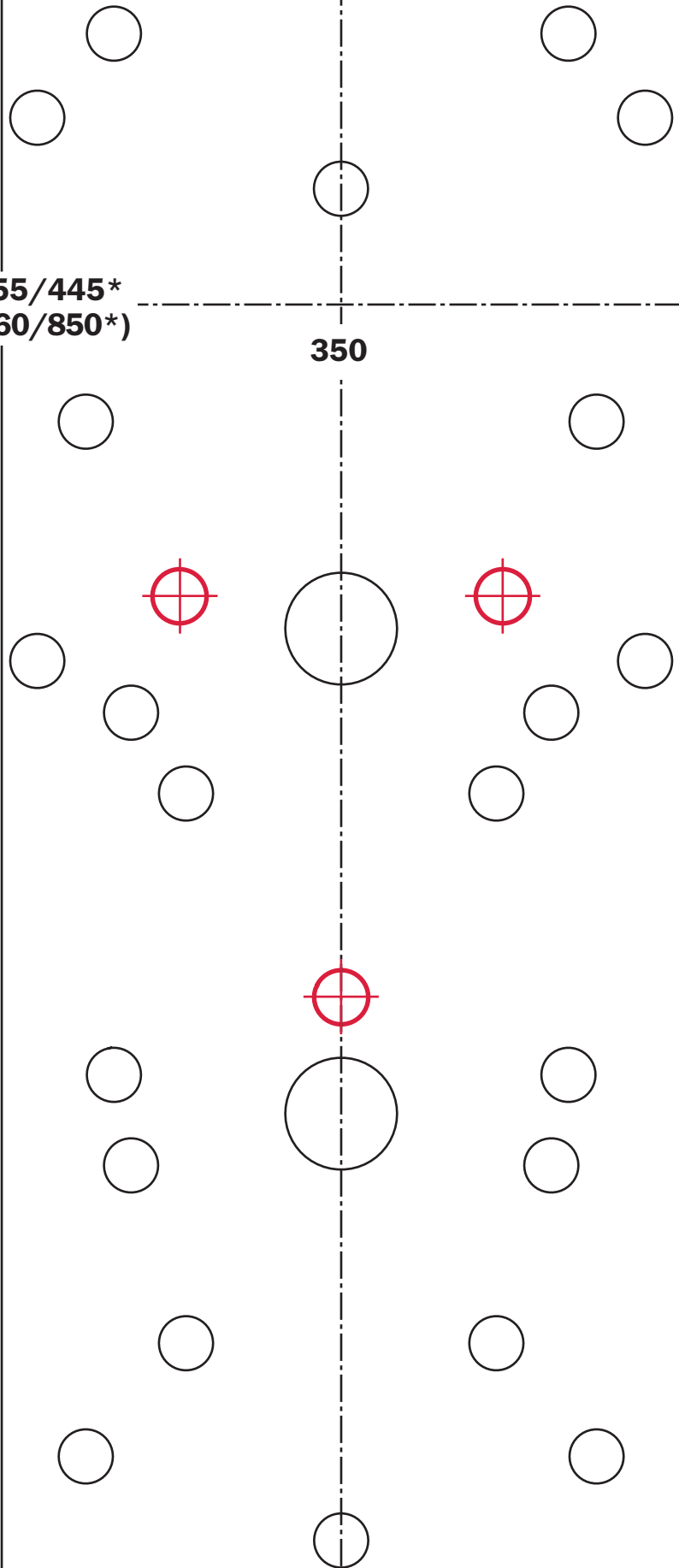


* DIN 18 024-2: 355 (760) mm
DIN 18 040-1: 445 (850) mm

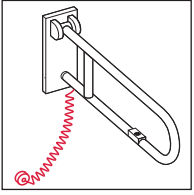


355/445*
(760/850*)

350

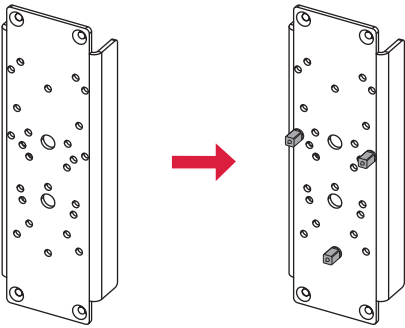


TECEprofil – 9.042.010



Hewi

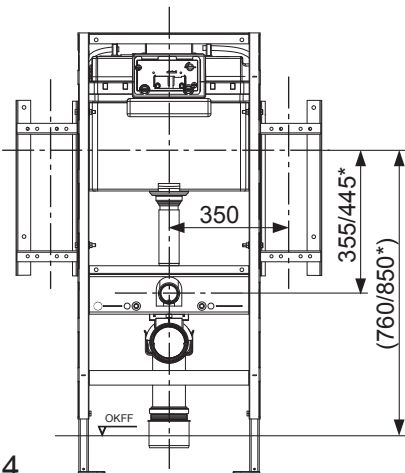
Lifesystem



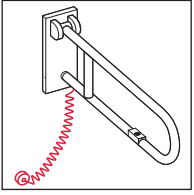
355/445*
(760/850*)

350

* DIN 18 024-2: 355 (760) mm
DIN 18 040-1: 445 (850) mm

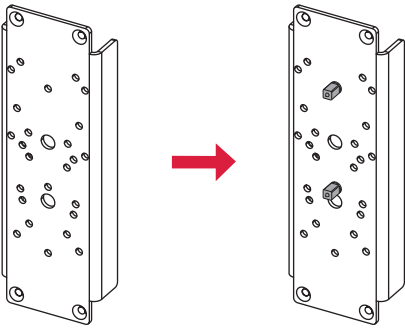


TECEprofil – 9.042.010

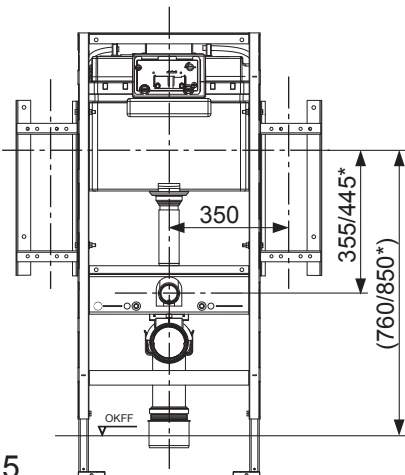


Hewi

Serie 801
Serie 805



* DIN 18 024-2: 355 (760) mm
DIN 18 040-1: 445 (850) mm



**355/445*
(760/850*)**

350

