

Hersteller/manufacturer

Typ/type

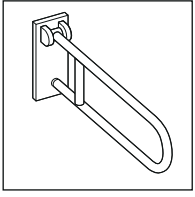
Seite/page

Lehnen

Basic
Concept
Novus

2

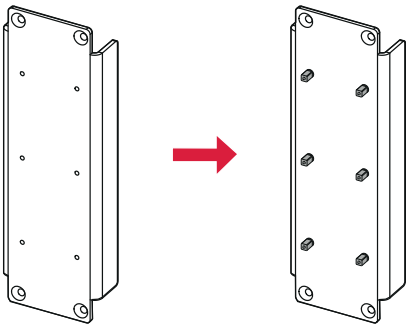
TECEprofil – 9 042 017



Basic
Concept
Novus

355/445*
(760/850*)

350



* DIN 18 024-2: 355 (760) mm
DIN 18 040-1: 445 (850) mm

