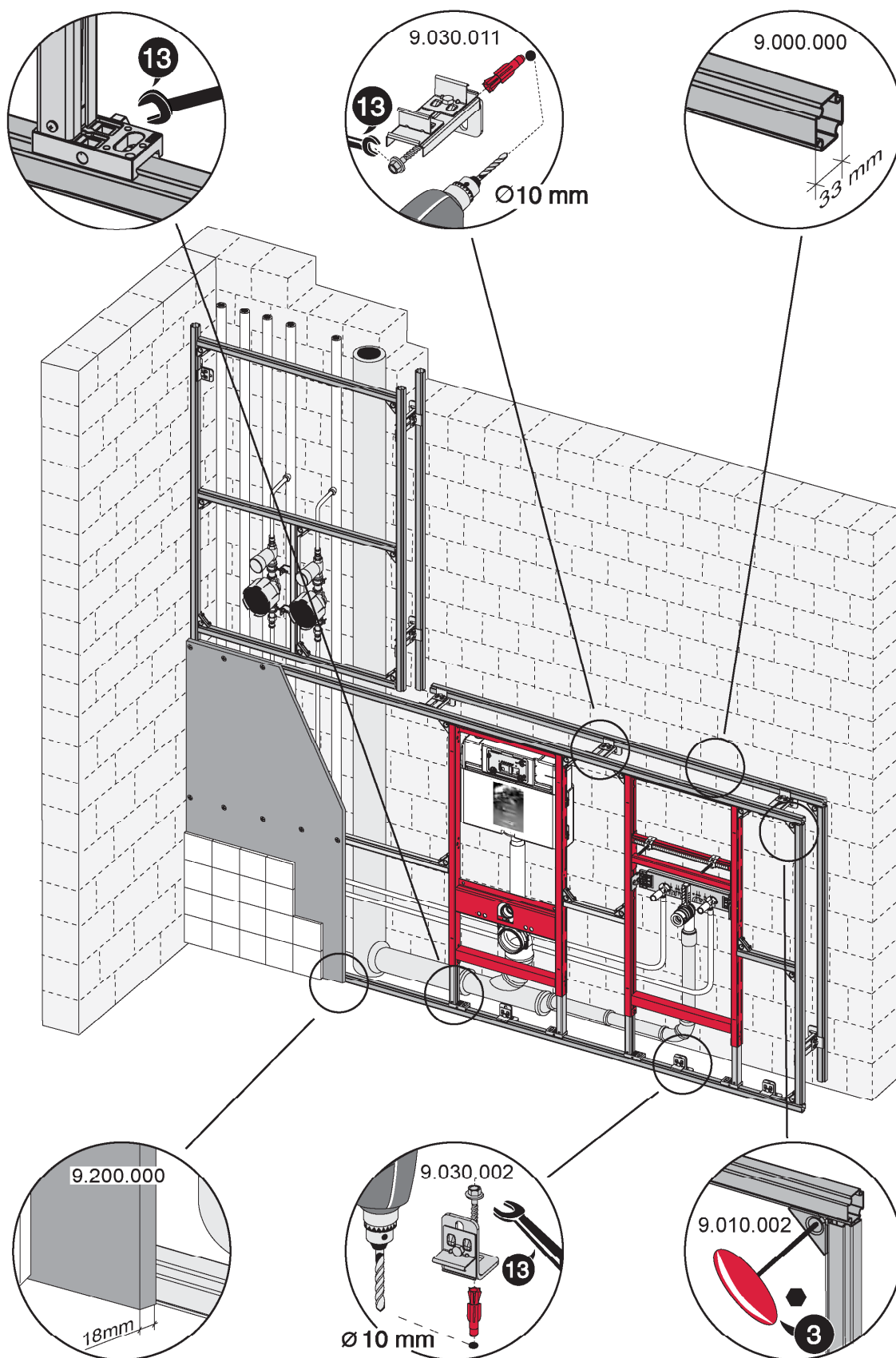
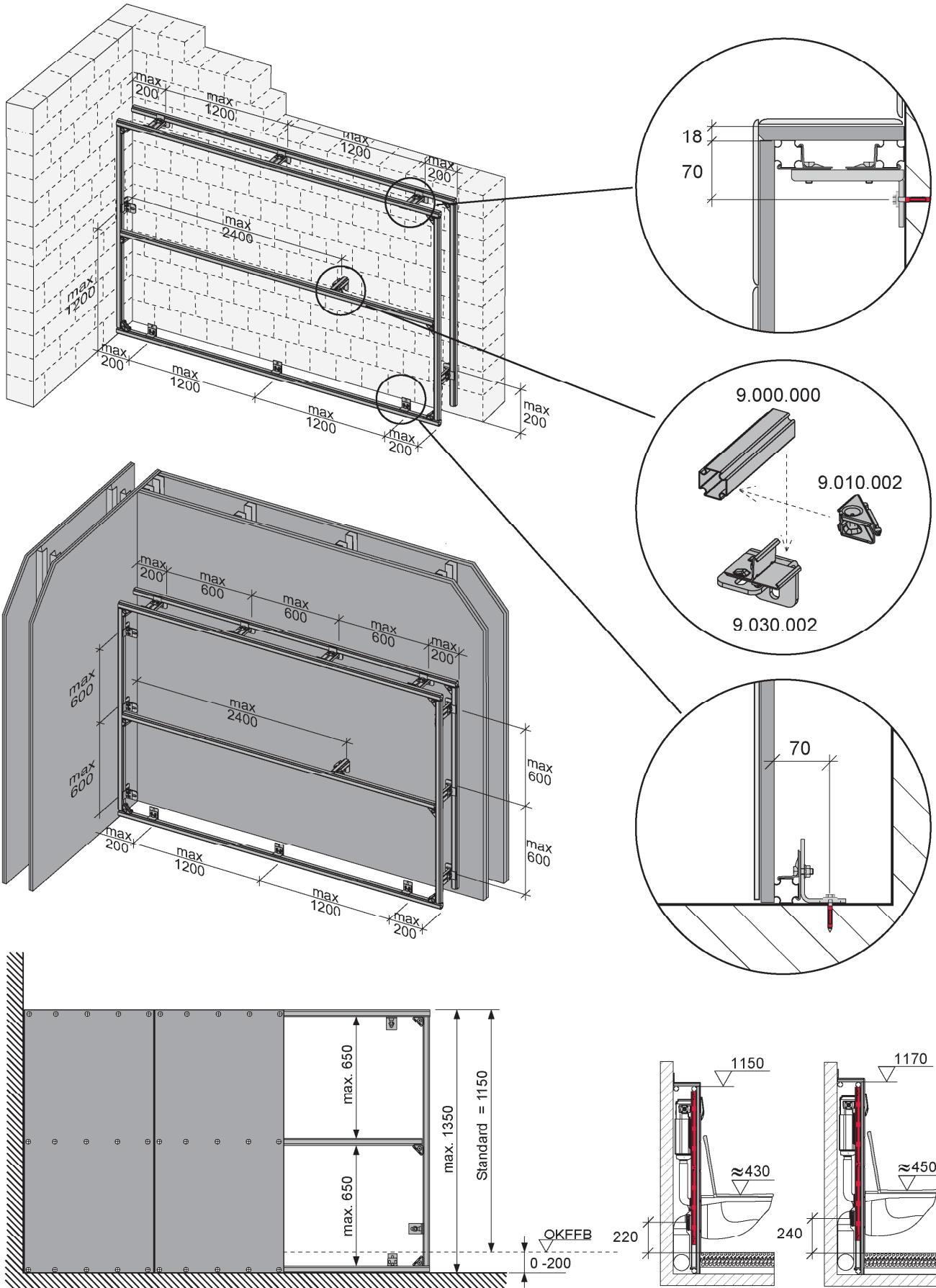
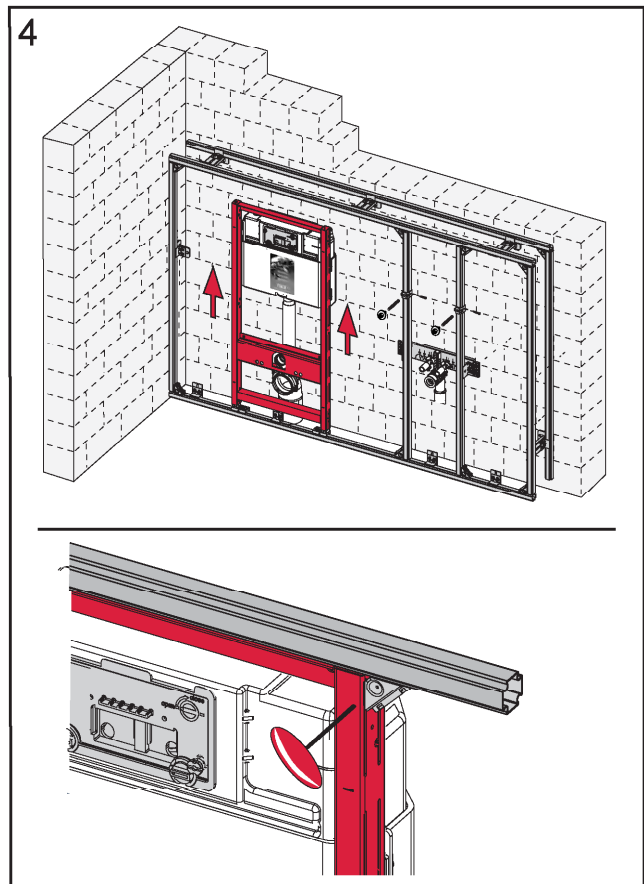
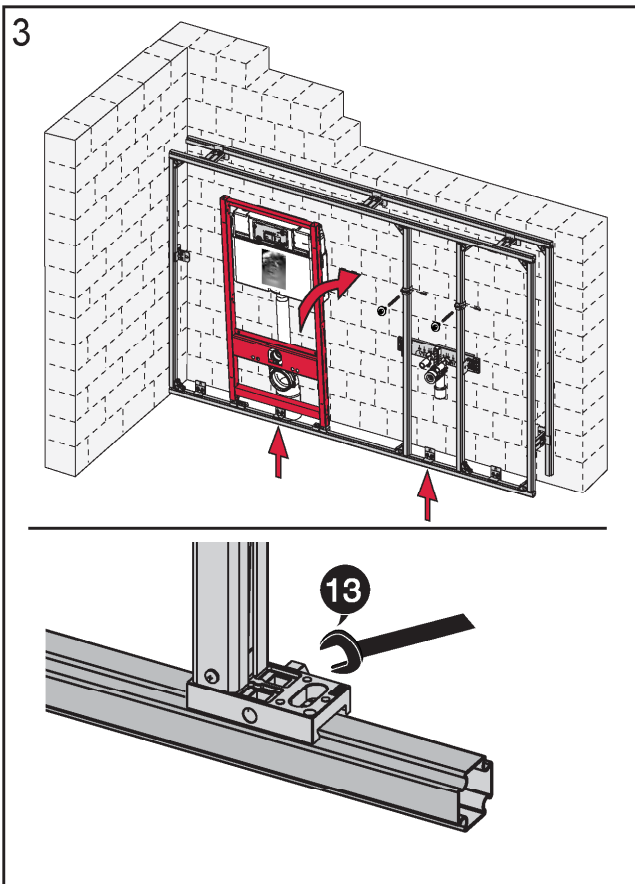
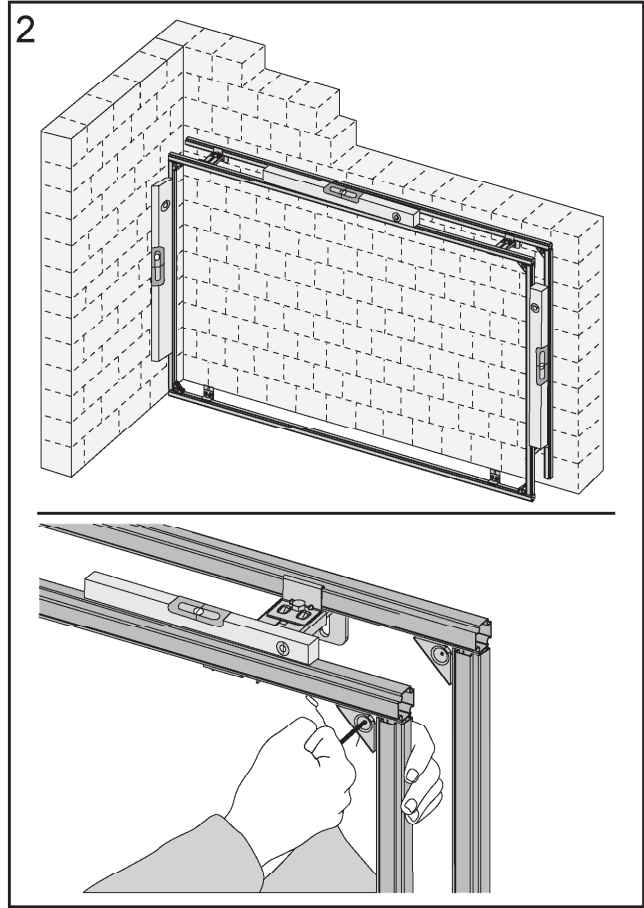
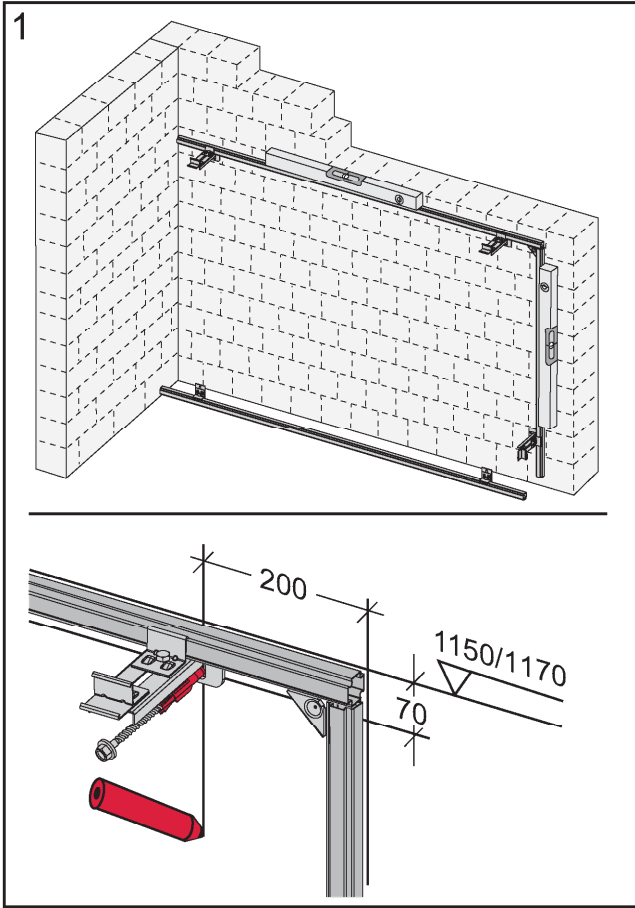


# TECEprofil – System-Montageanleitung

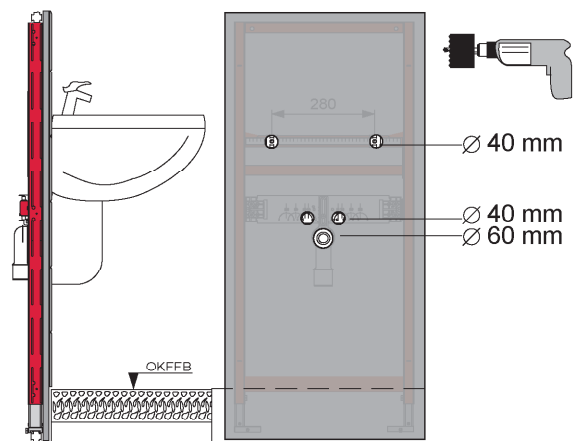
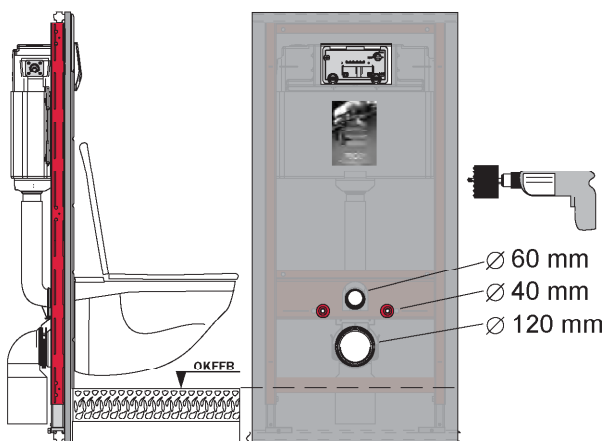
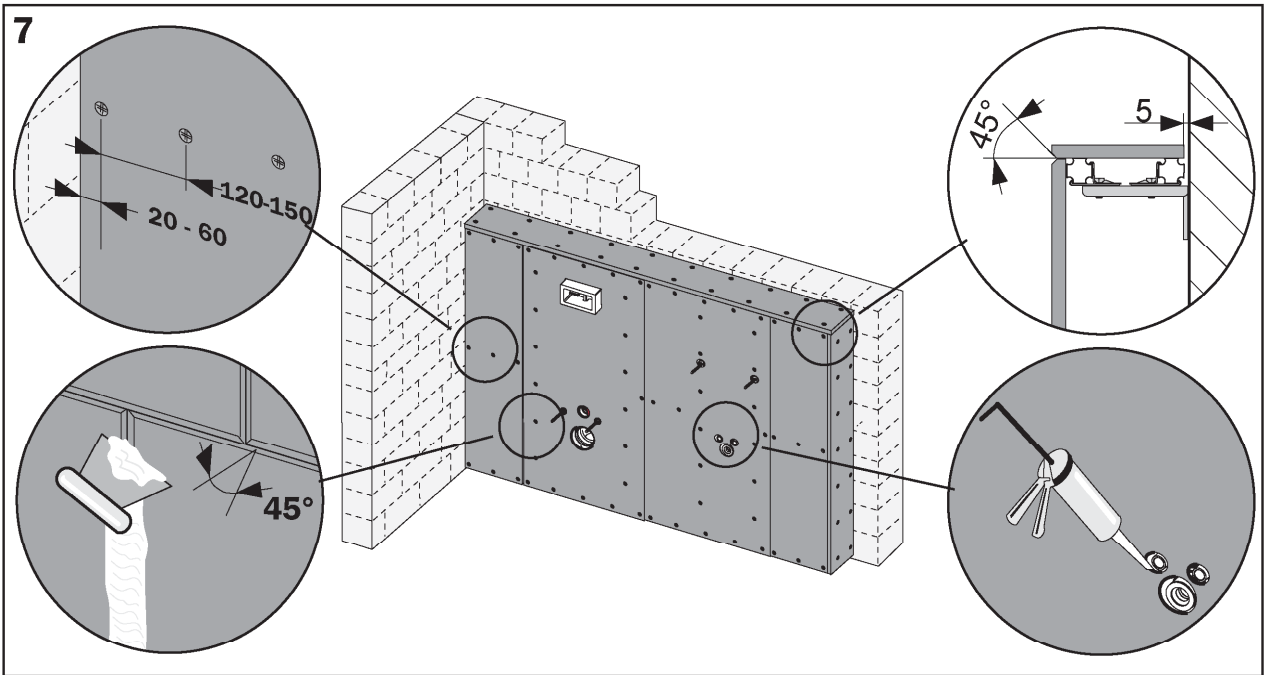
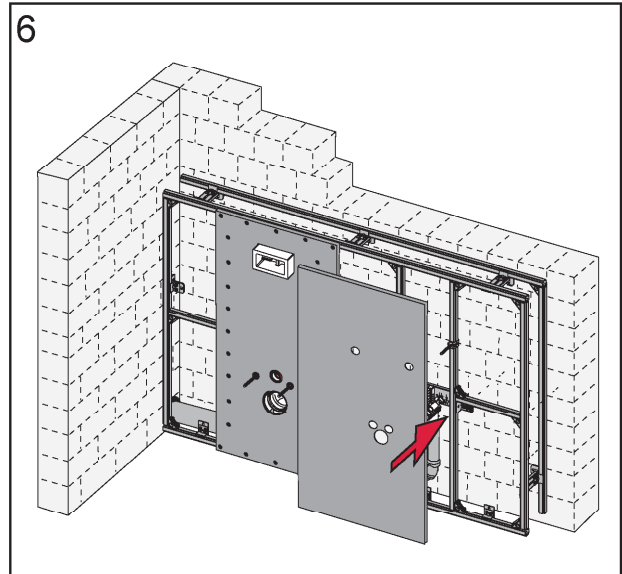
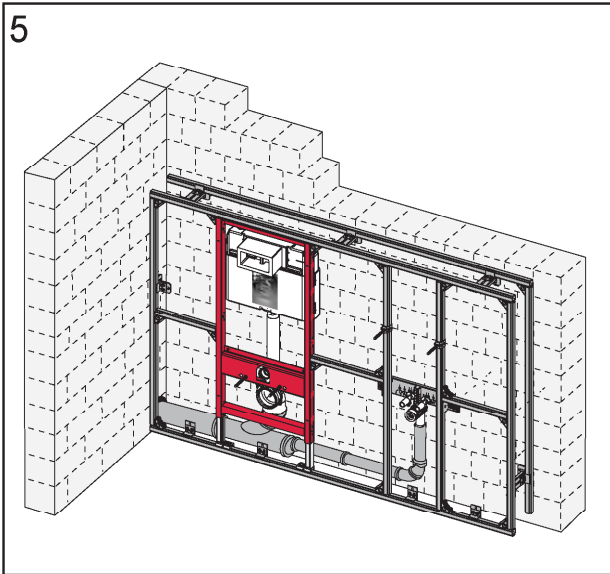


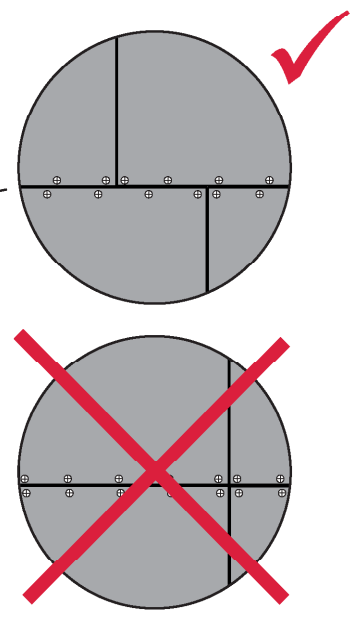
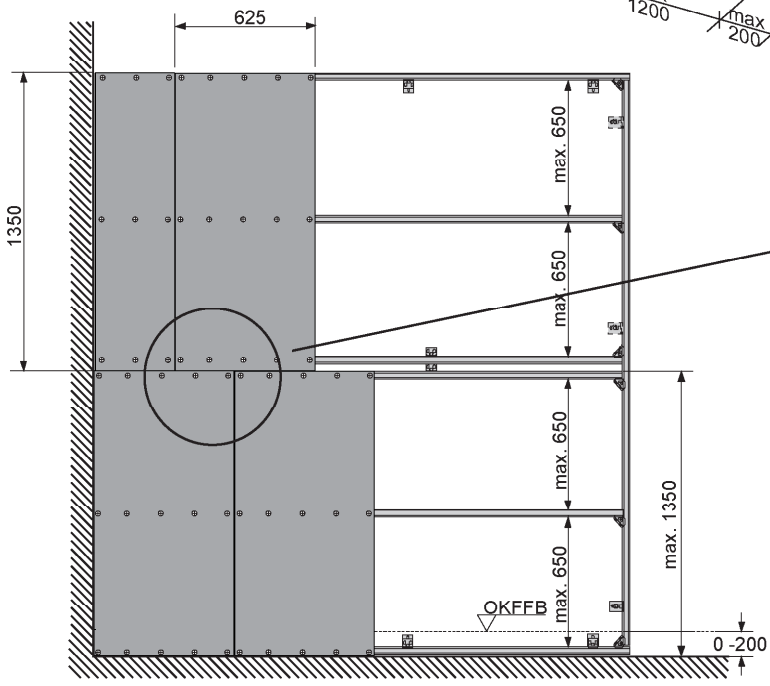
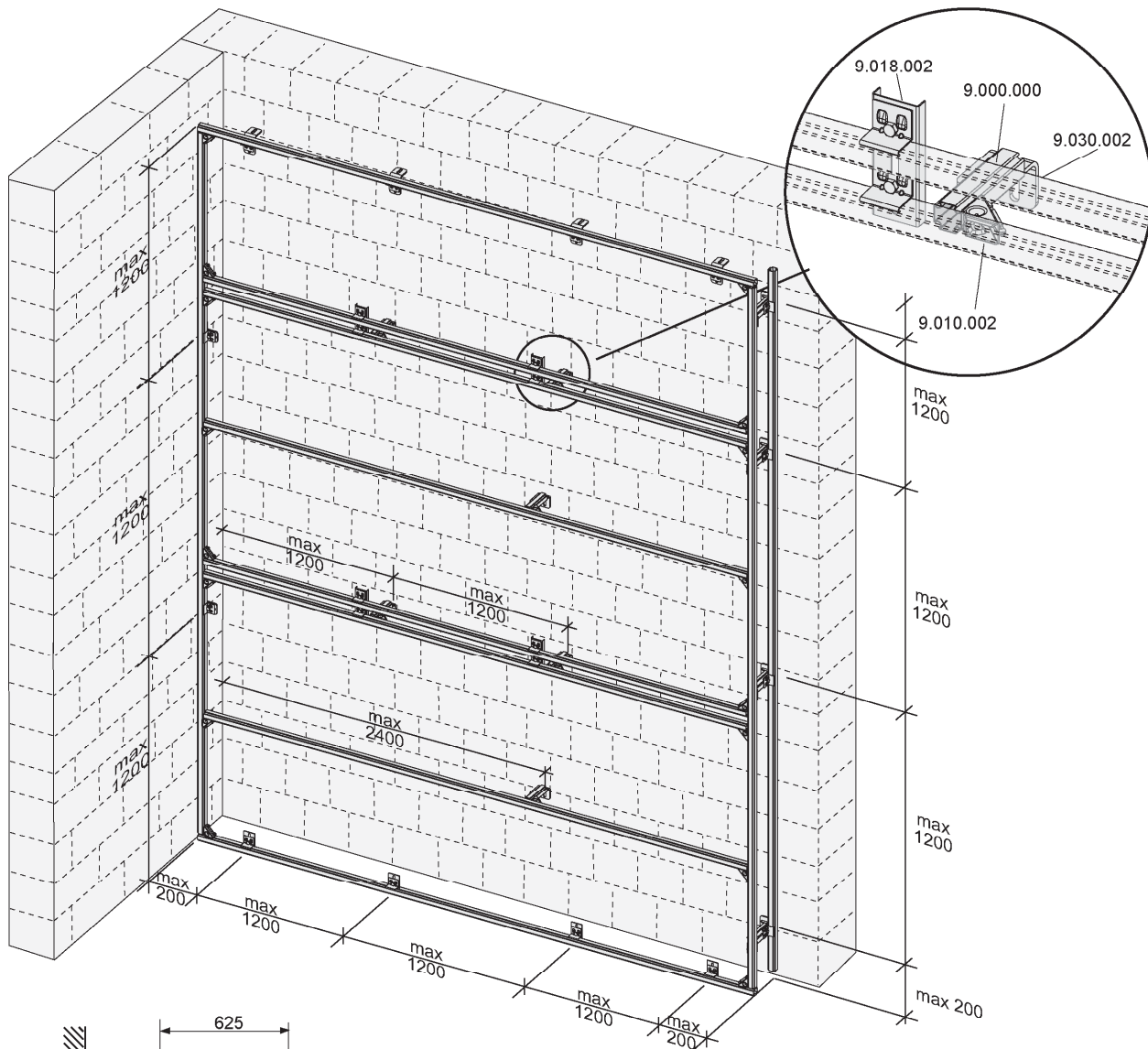
**TECE:**



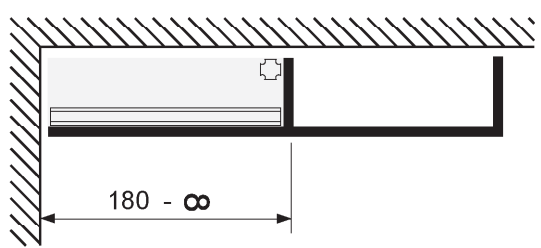
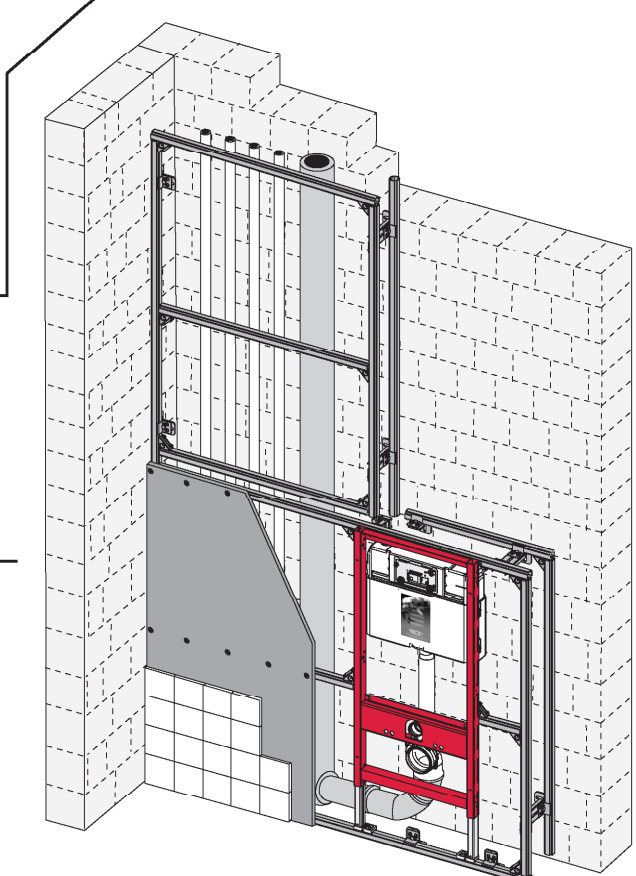
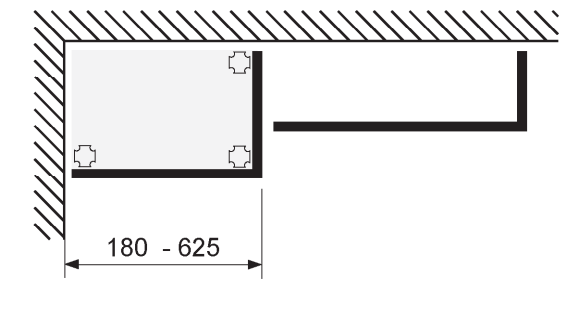
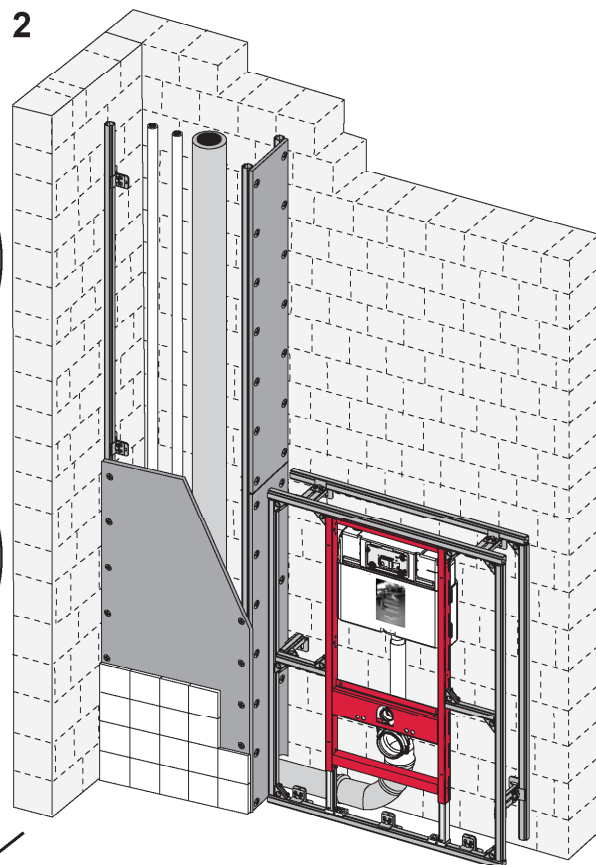
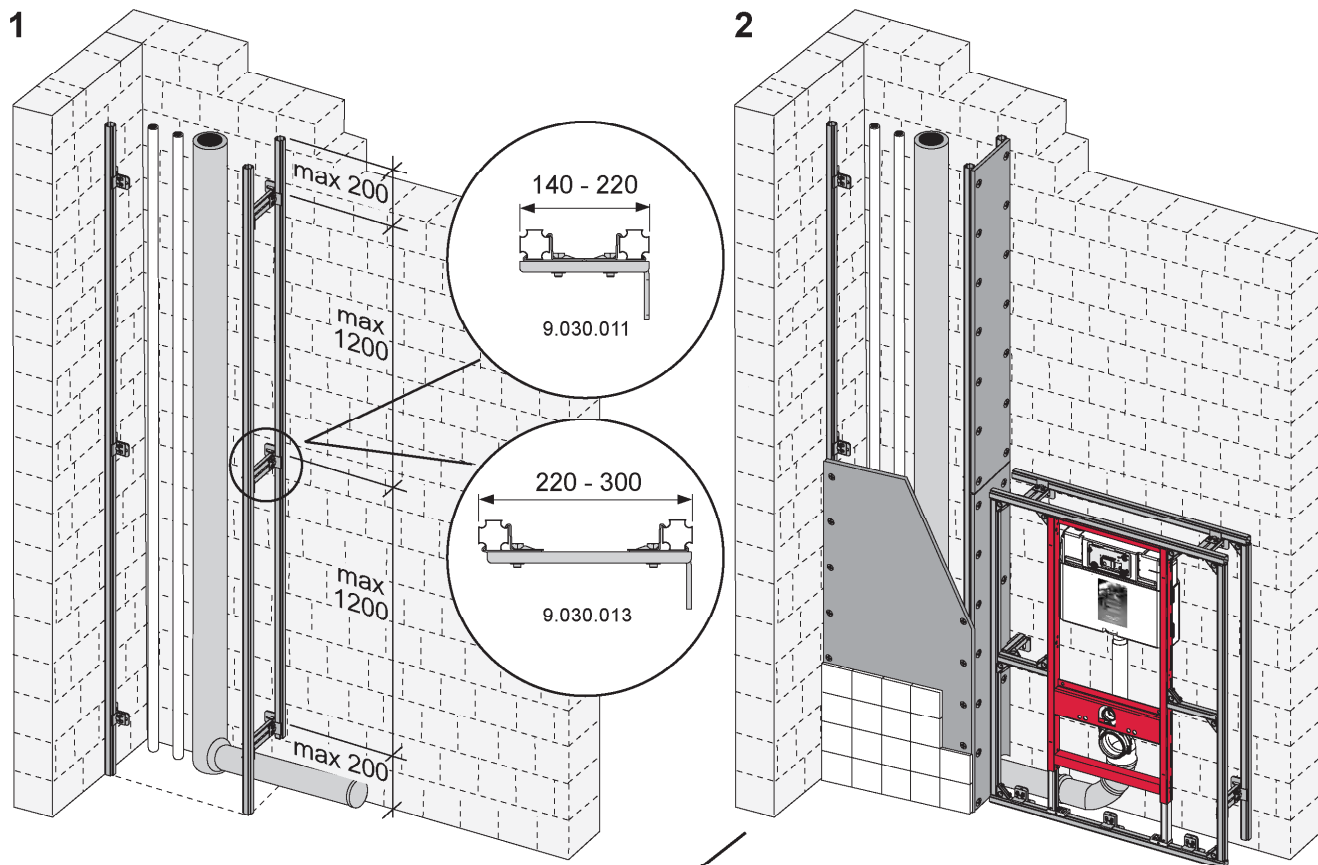


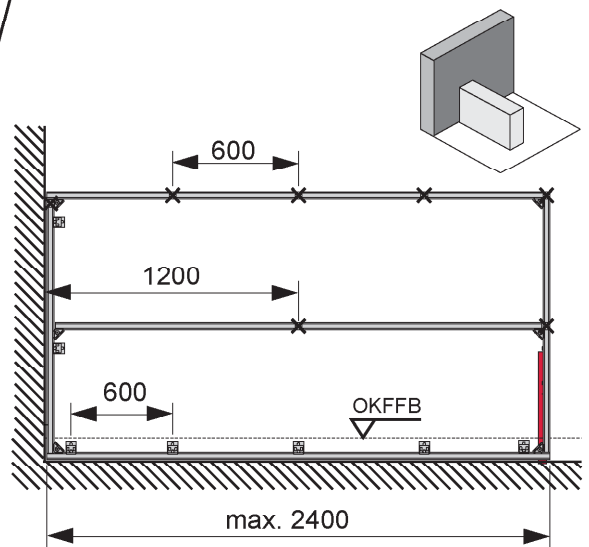
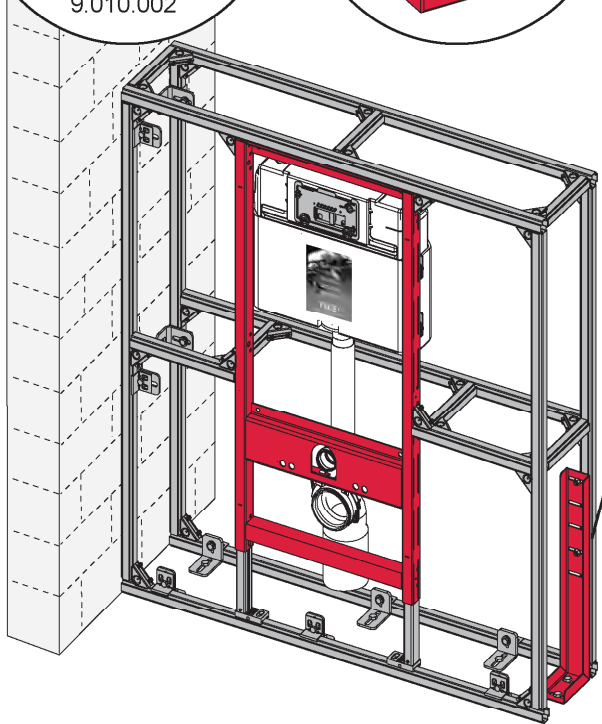
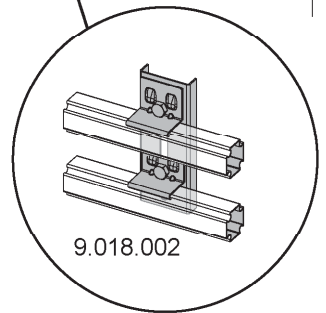
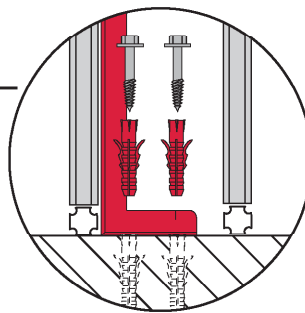
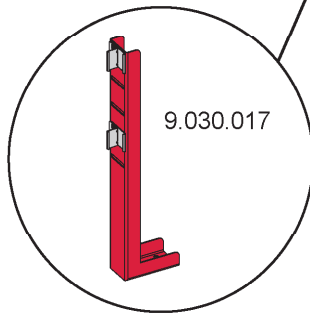
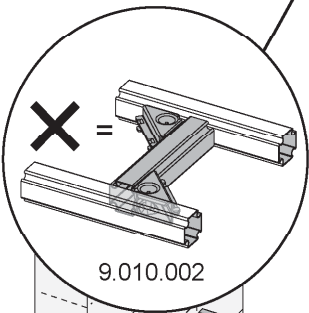
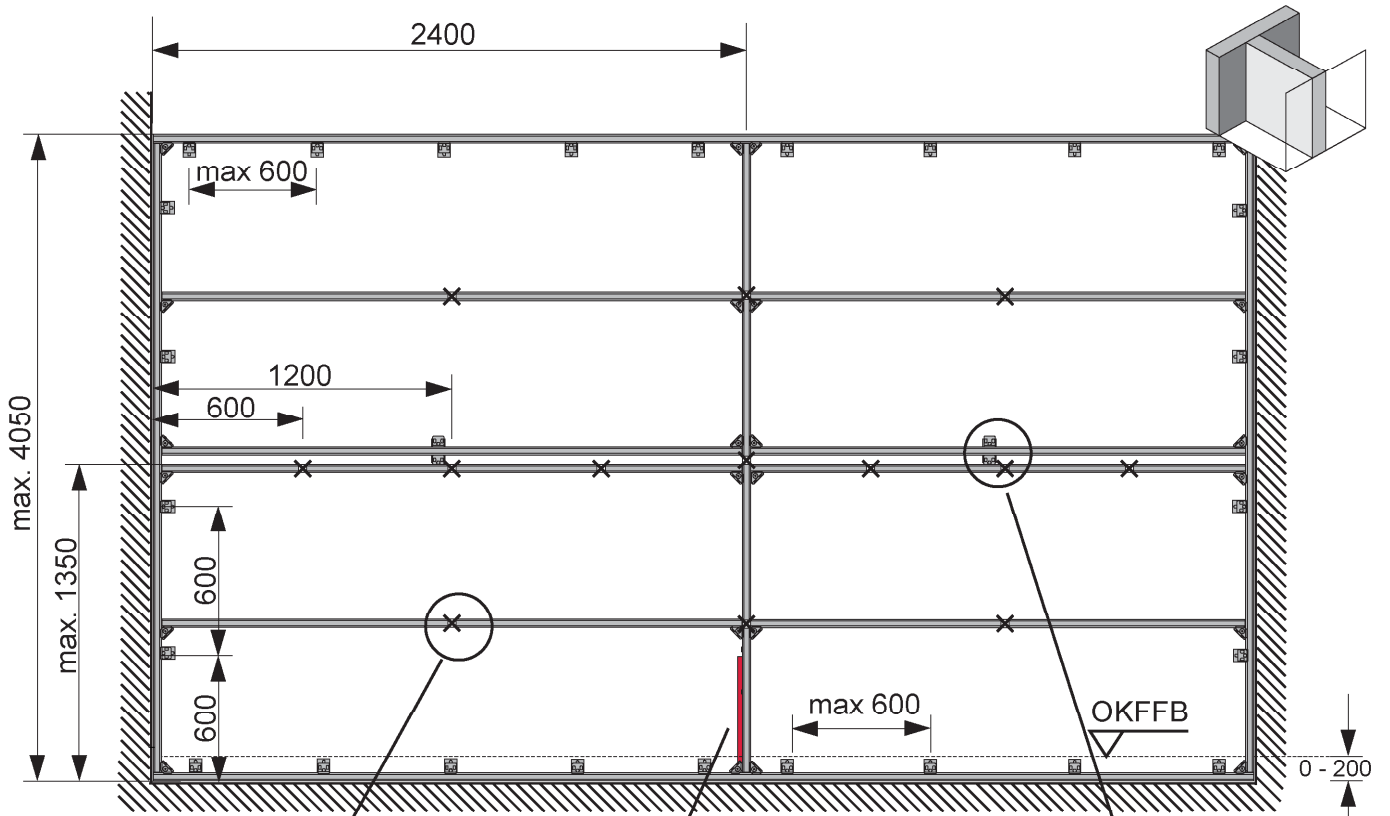
**TECE:**





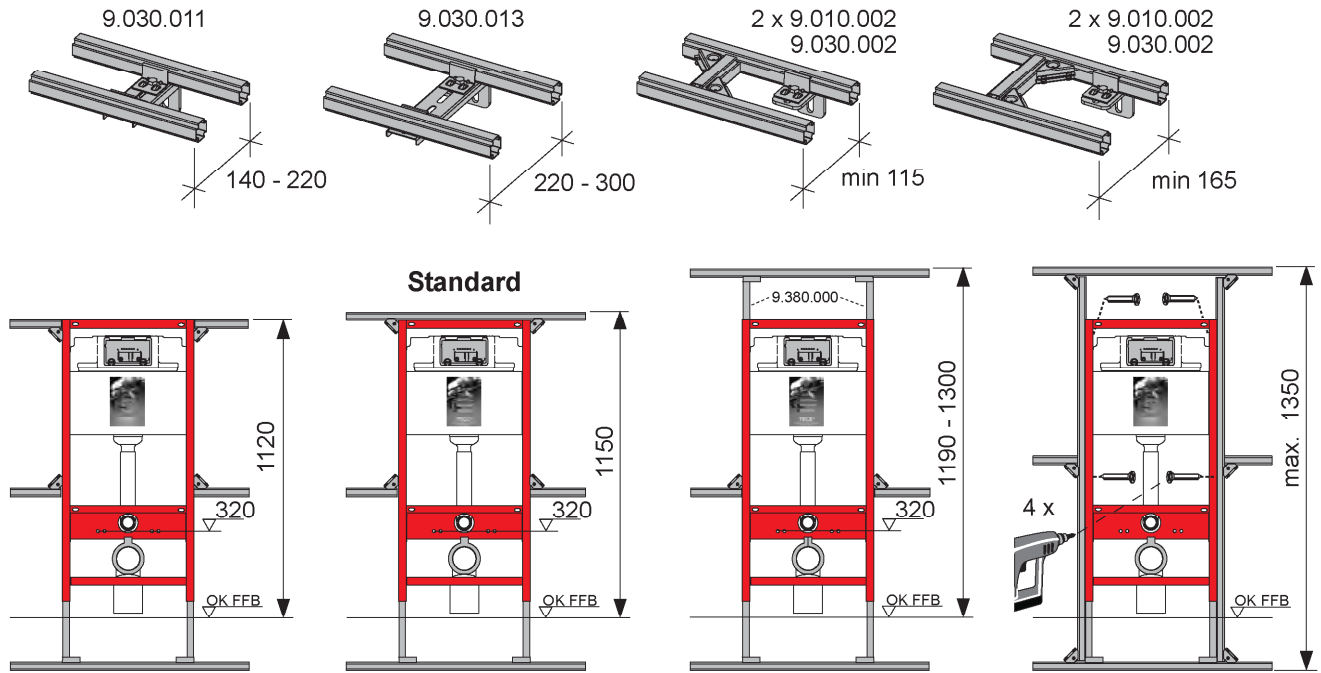
**TECE:**

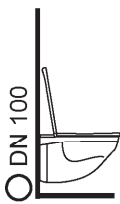
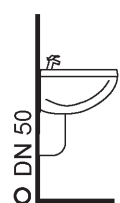
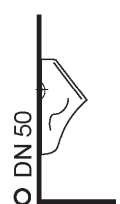



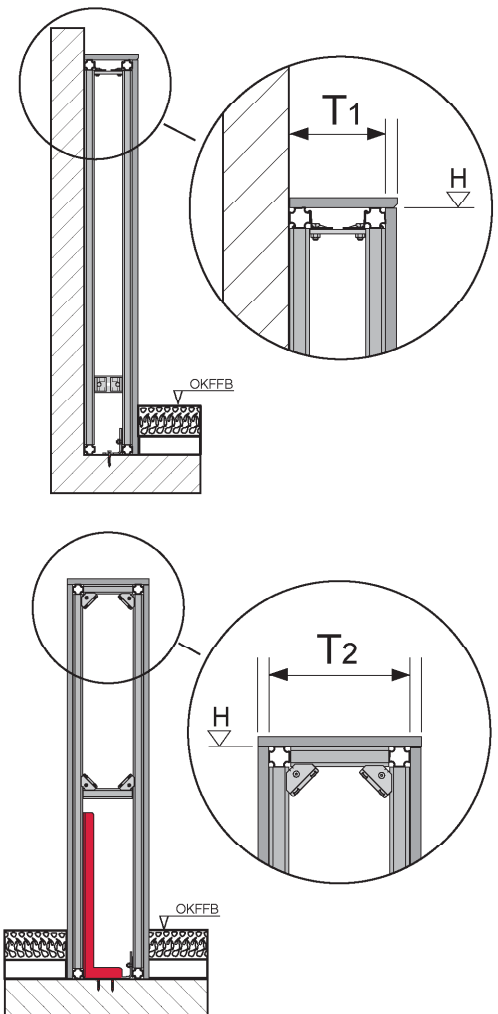


**TECE:**

# TECEprofil – System-Montageanleitung



	Art. Nr.	H Standard	T1 min	T2 min			
 DN 100	9.300.000	1150 (1120 - 1350)	160	210			
	9.300.002						
	9.300.011						
 DN 50	9.300.001	820 - 920	160	210			
	9.041.006	970 - 1350	160	240			
	9.310.000	1150 (1120 - 1350)	140 (115)	210			
9.310.004							
9.020.033							
 DN 50	9.020.018	820 - 1350	140 (115)	210			
	9.020.034						
	9.320.002				1300 (1150 - 1350)	140 (115)	170
	9.320.000						
9.320.001							
9.020.017							
 DN 50	9.330.000	1150 (1120 - 1350)	140 (115)	210			



PR 230 079 00 c