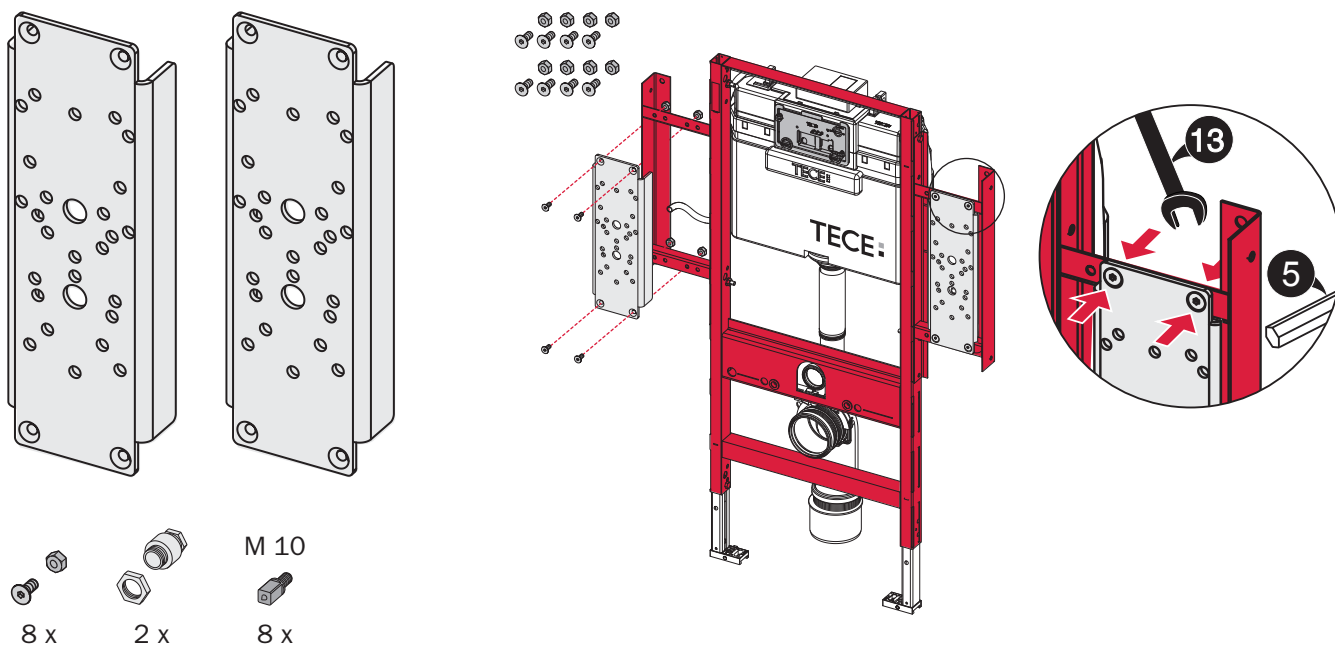
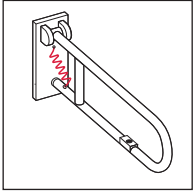


# TECEprofil – 9.042.010



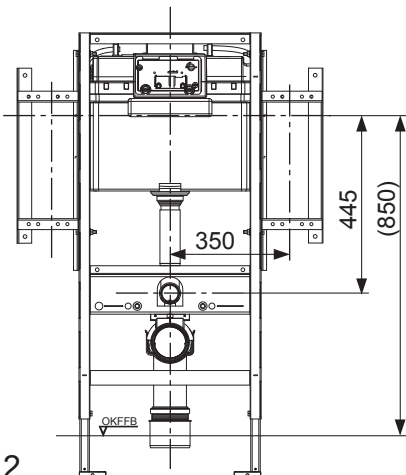
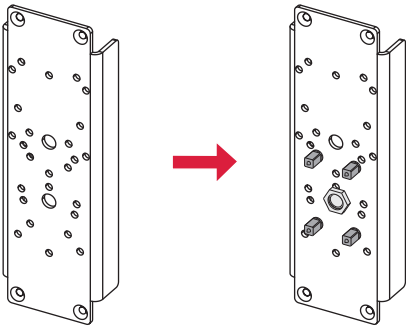
Hersteller/manufacturer	Typ/type	Seite/page
Erlau	Ovalgripp	2
	Rund- u. Wellgripp	3
Hewi	Lifesystem	4
	801/805	5
Keuco	Collection Plan	6
Linido	LI2601	7
Normbau	CombiLine, NylonLine, StainlessLine	8
Pressalit	Care R3016-RF016, R3018-RF018	9

# TECEprofil – 9.042.010



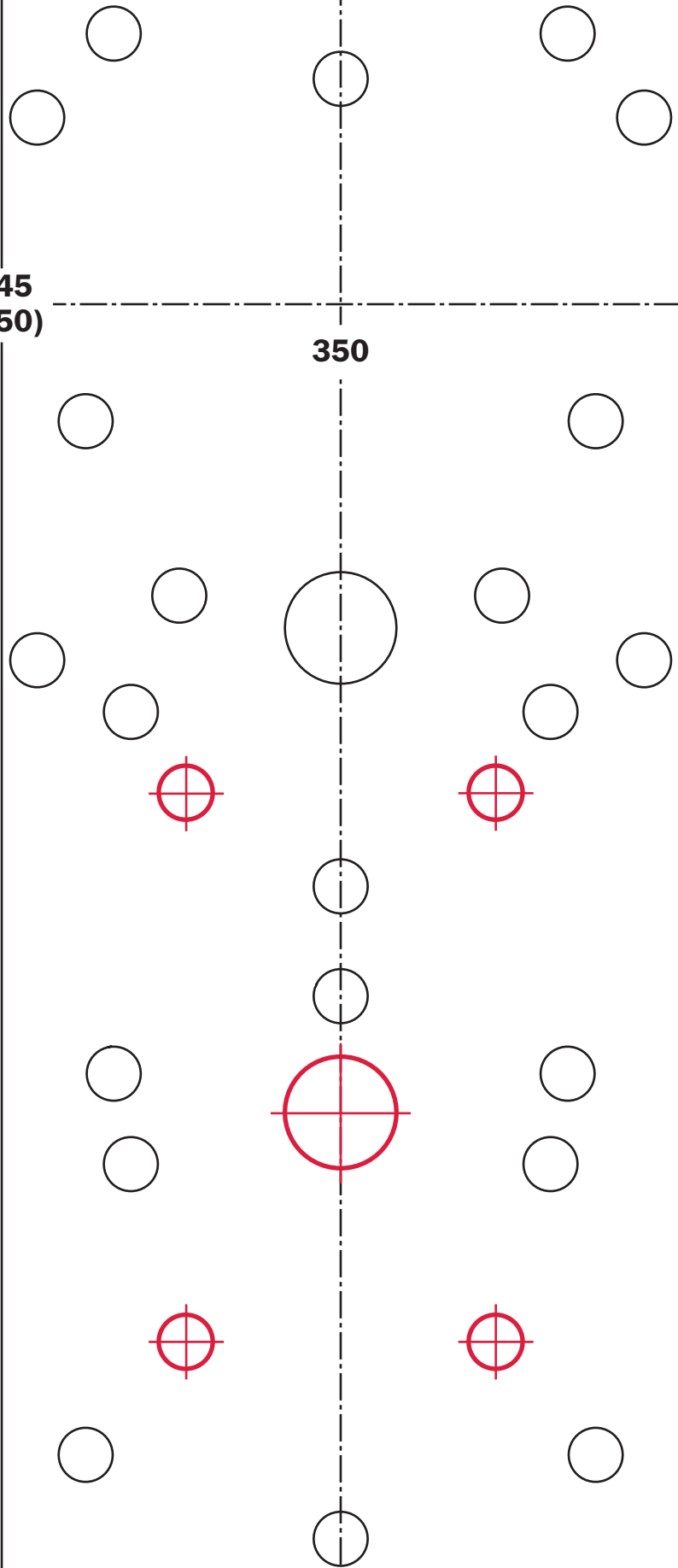
**Erlau**

Ovalgrip

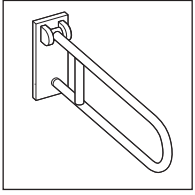


**445  
(850)**

**350**

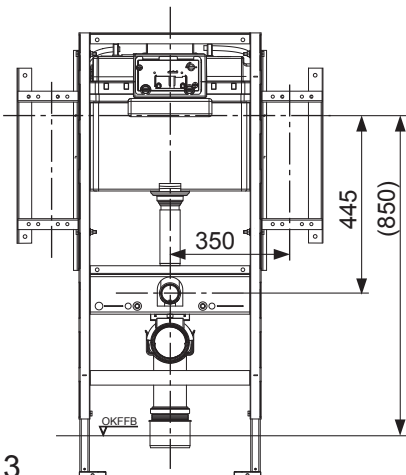
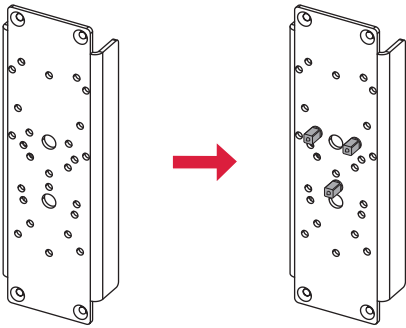


# TECEprofil – 9.042.010



**Erlau**

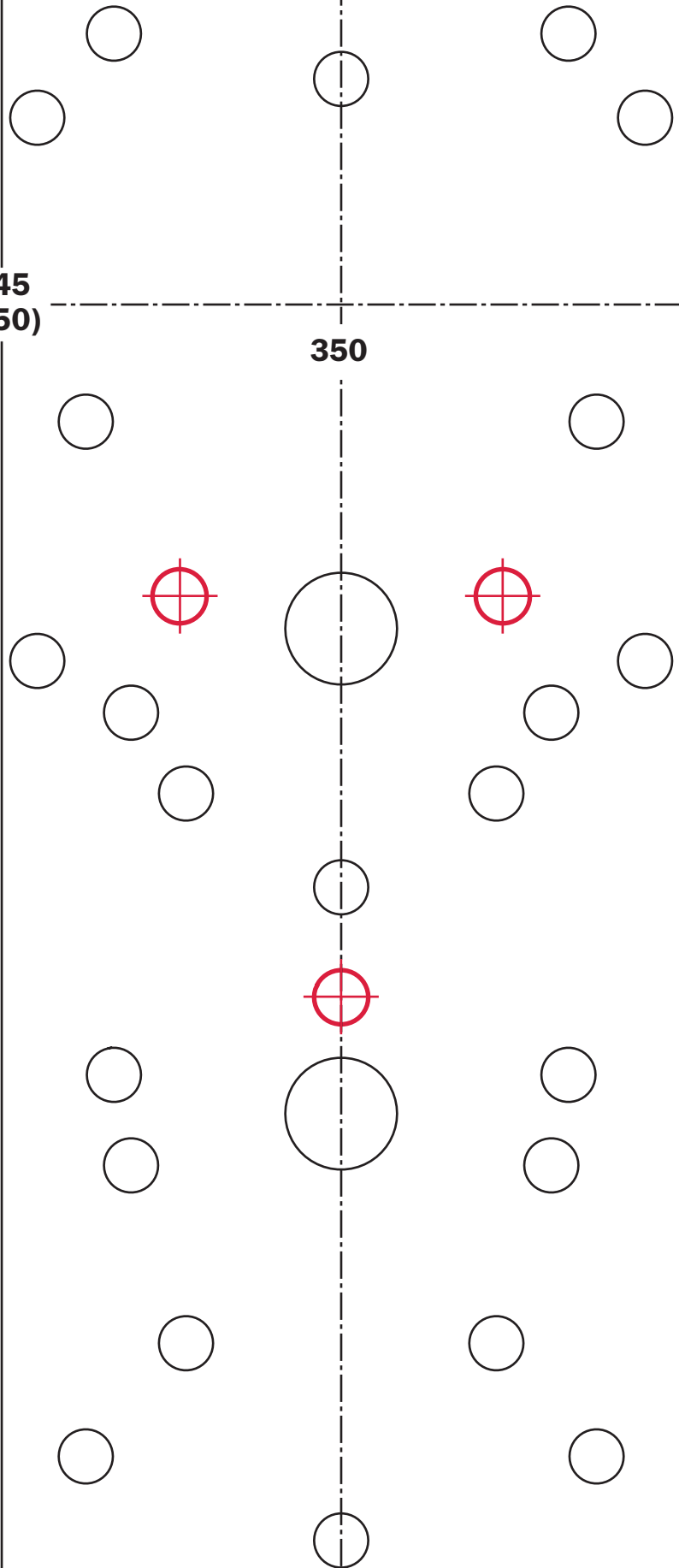
Rund- u. Wellgrip



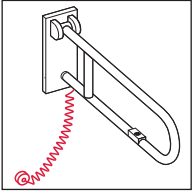
3

**445  
(850)**

**350**

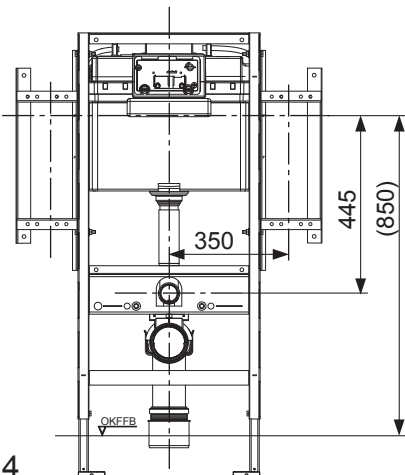
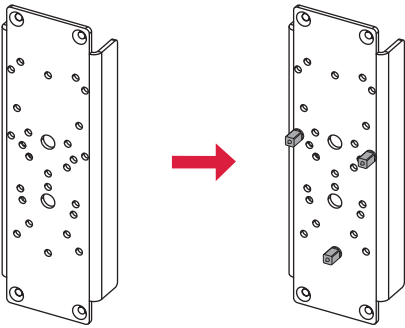


# TECEprofil – 9.042.010



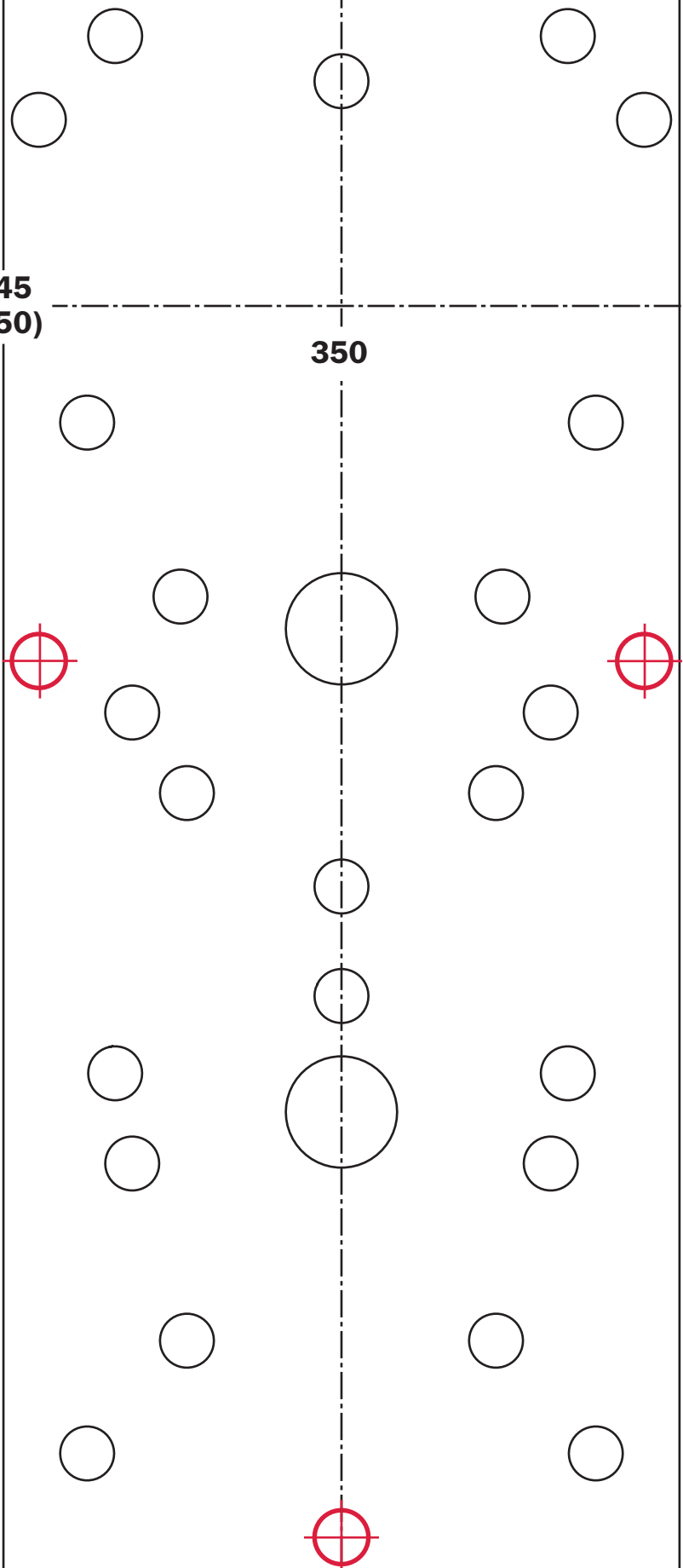
Hewi

Lifesystem

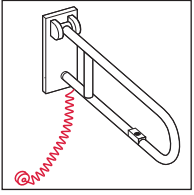


445  
(850)

350

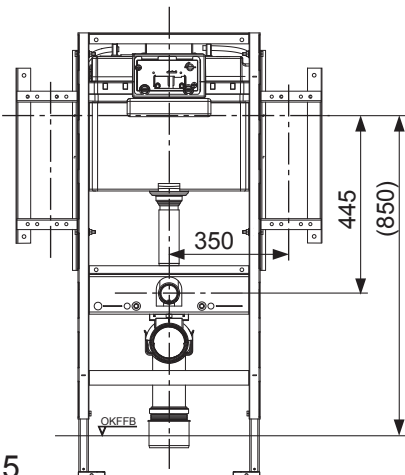
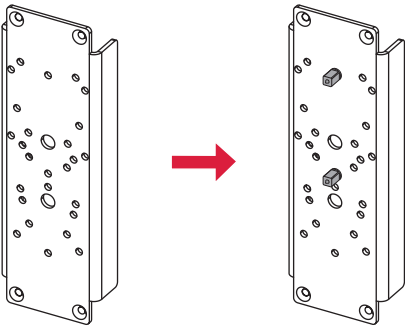


# TECEprofil – 9.042.010



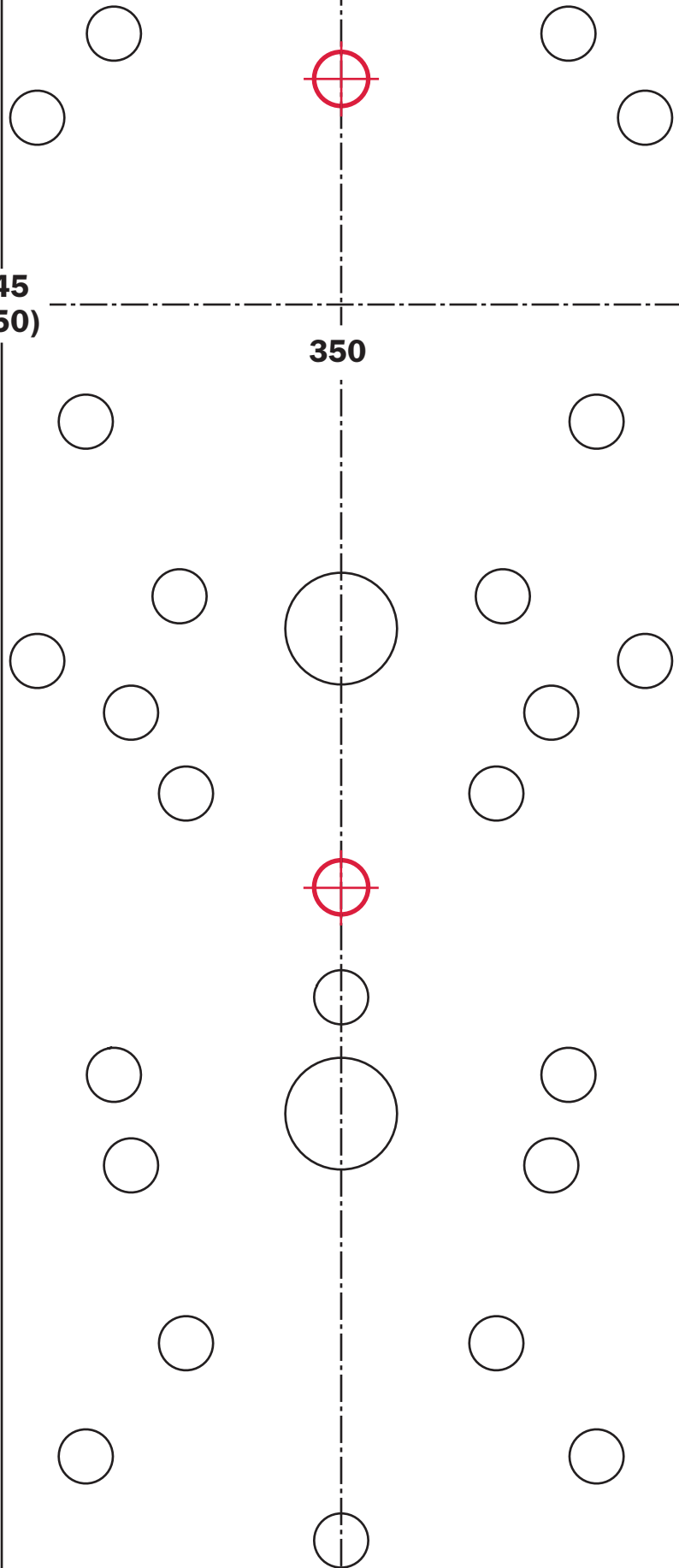
**Hewi**

Serie 801  
Serie 805

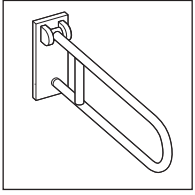


**445  
(850)**

**350**

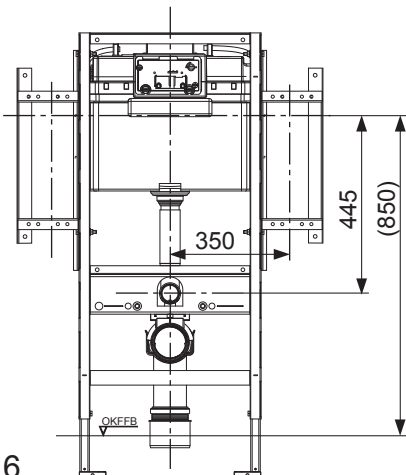
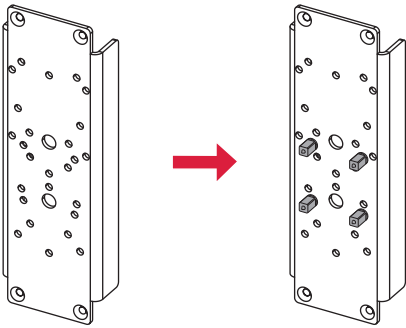


# TECEprofil – 9.042.010



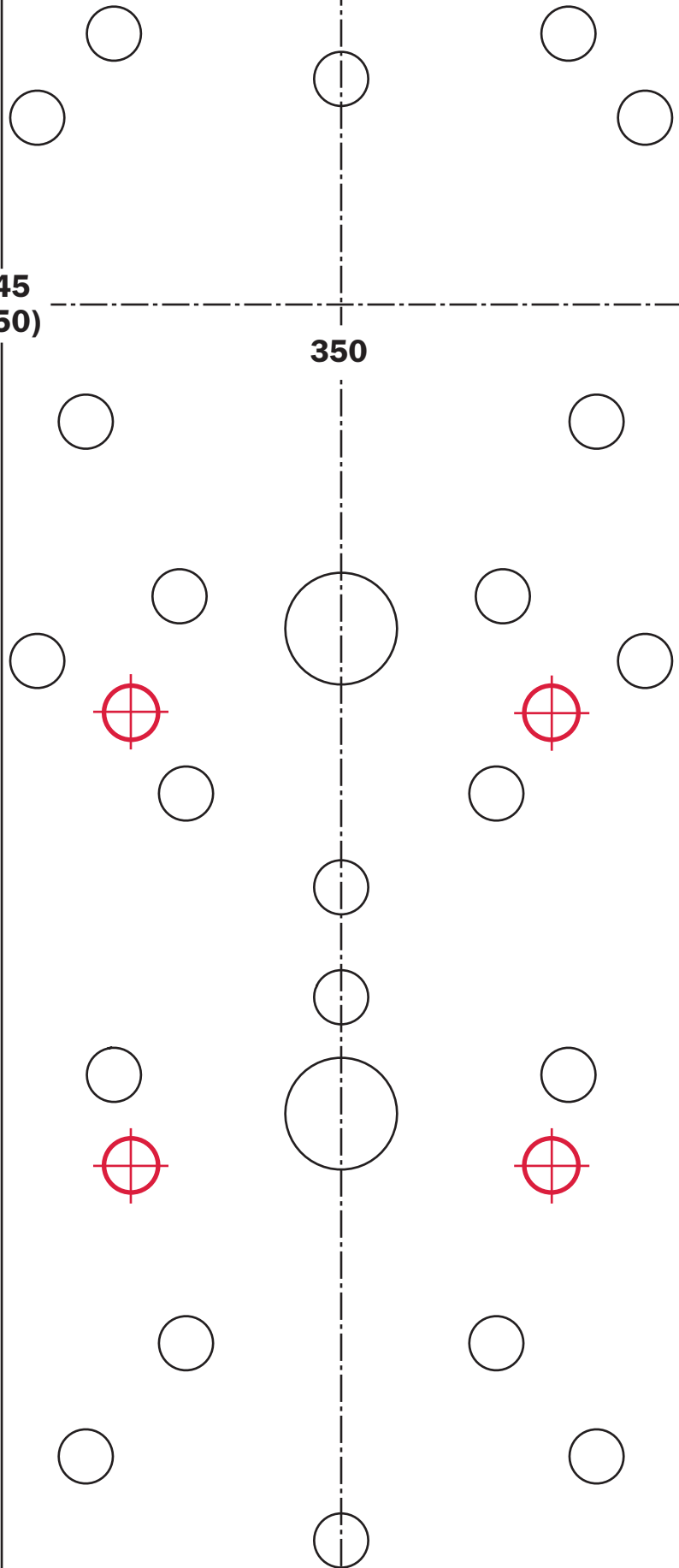
**Keuco**

Collection Plan

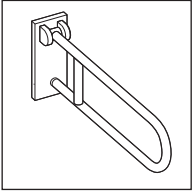


**445  
(850)**

**350**

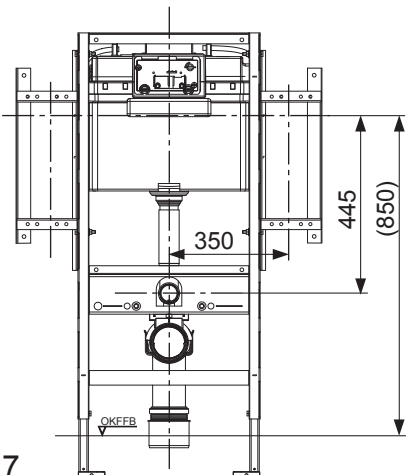
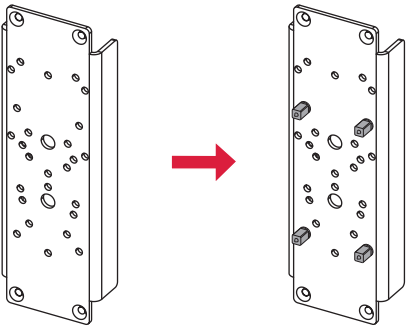


# TECEprofil – 9.042.010



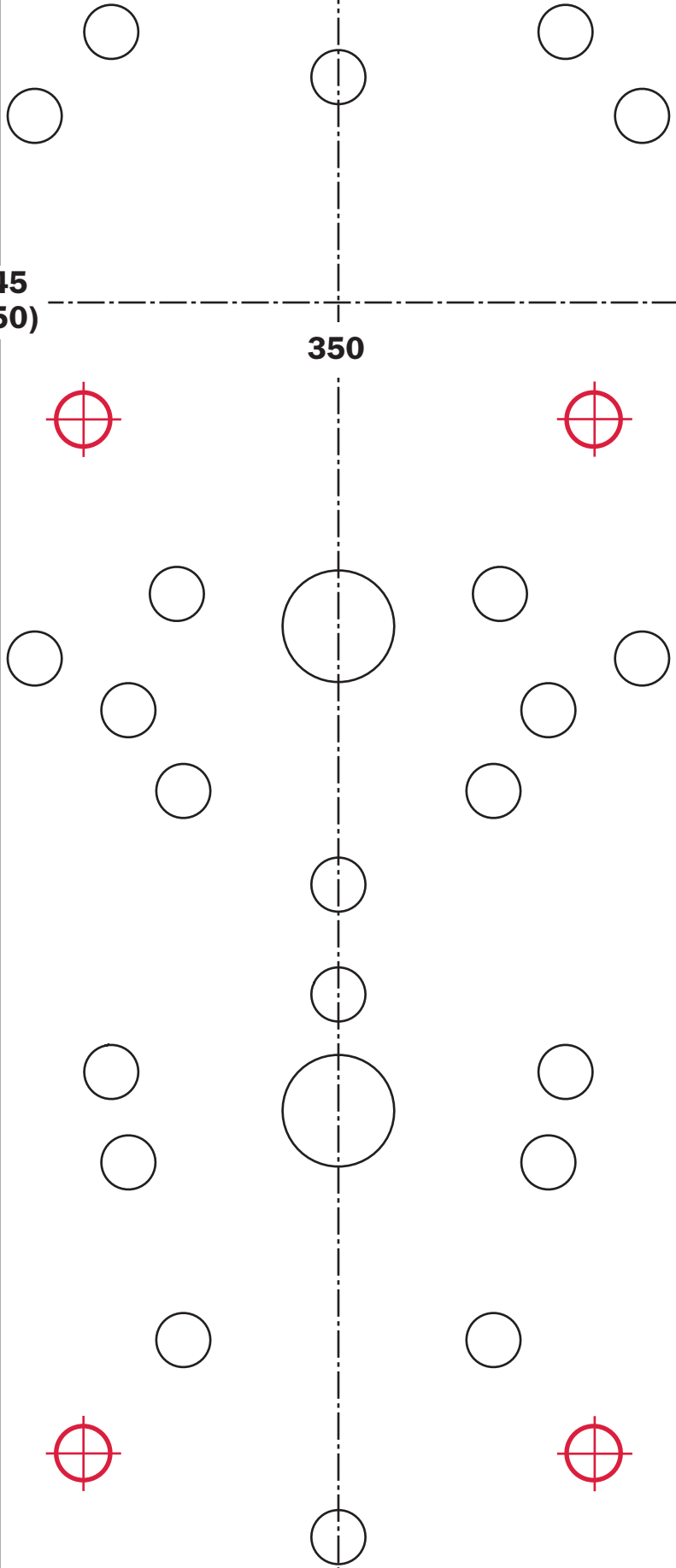
**Linido**

LI2601

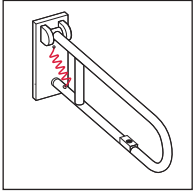


**445  
(850)**

**350**

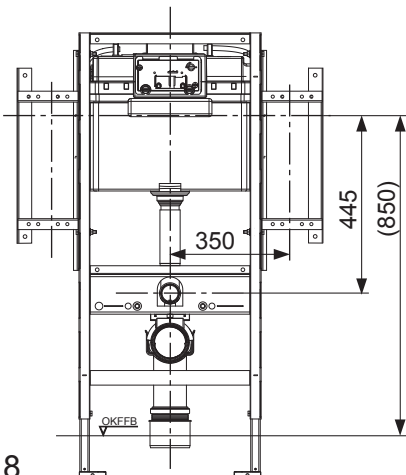
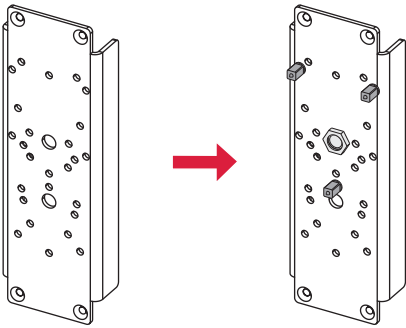


# TECEprofil – 9.042.010



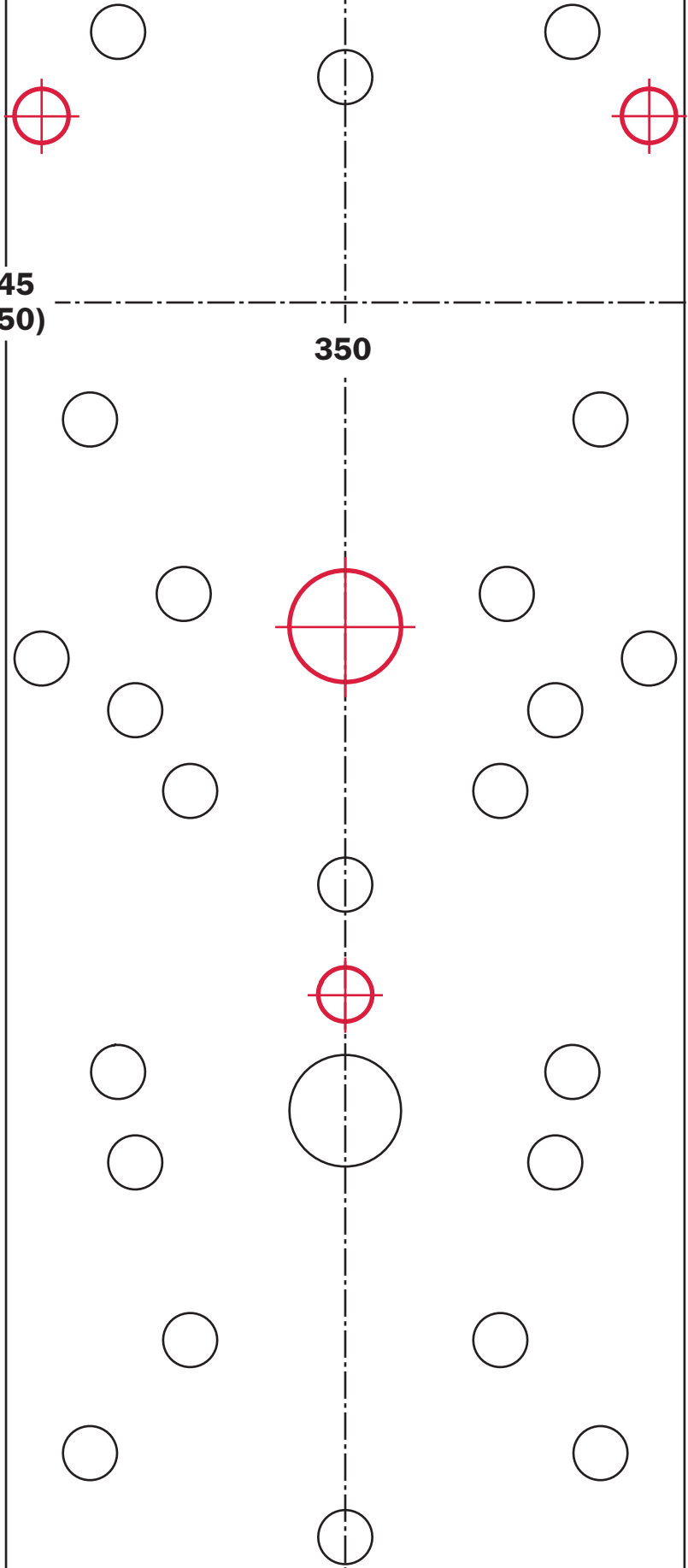
## Normbau

CombiLine  
NyloLine  
StainlessLine



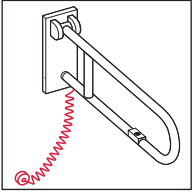
445  
(850)

350



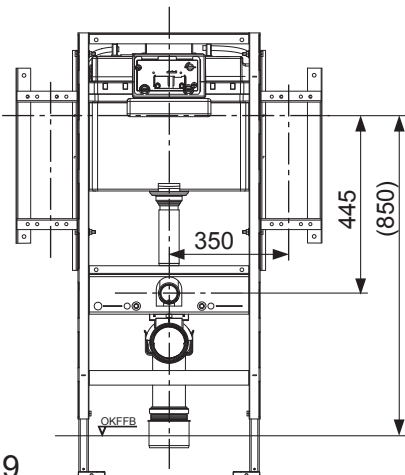
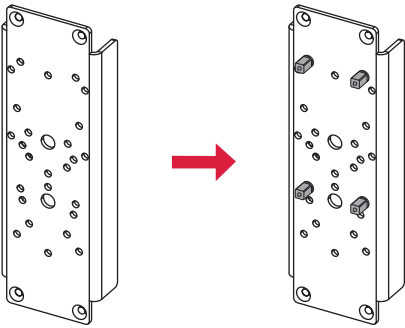


# TECEprofil – 9.042.010



## Pressalit

Care R3016-RF016,  
R3018-RF018



445  
(850)

350

