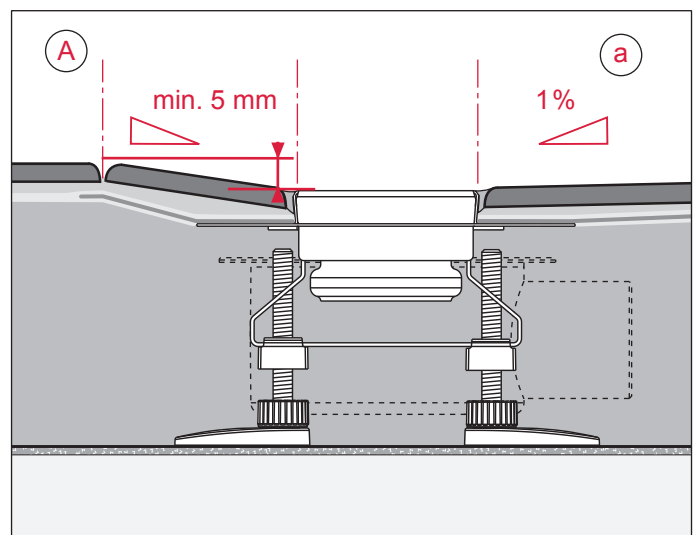
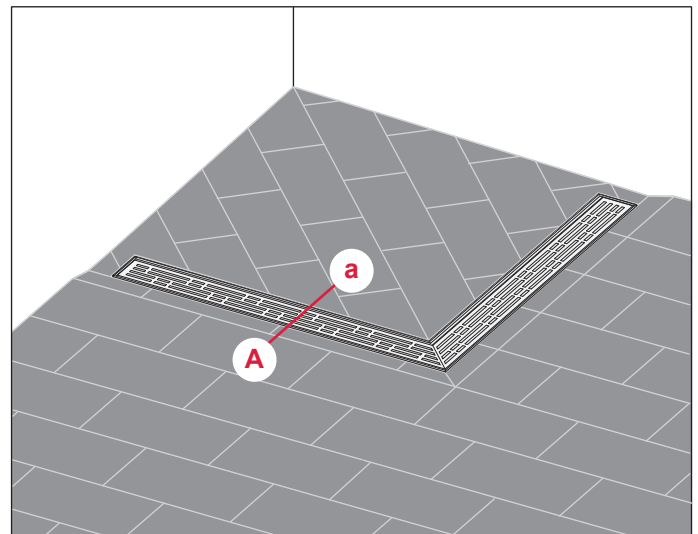
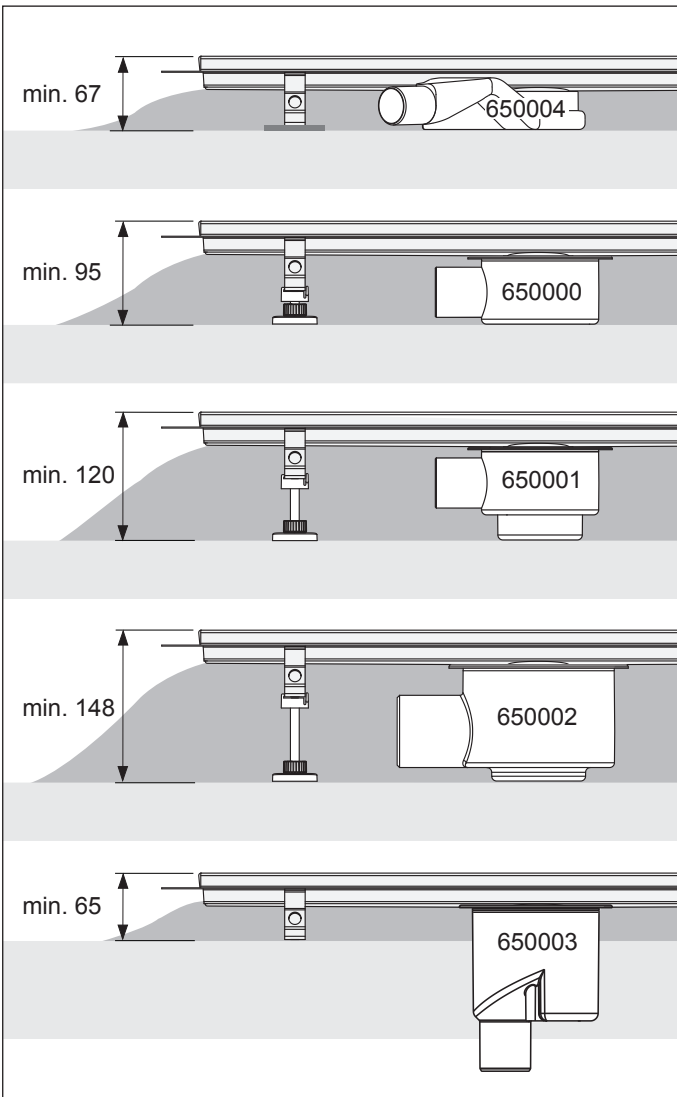
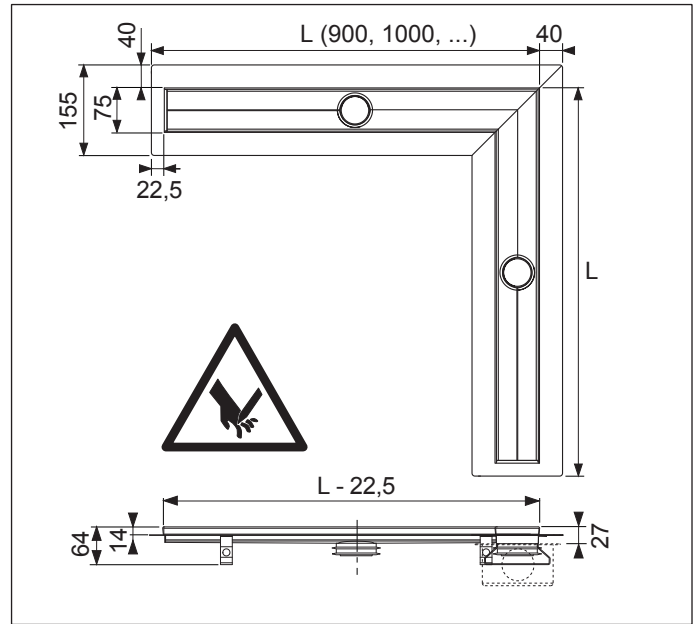
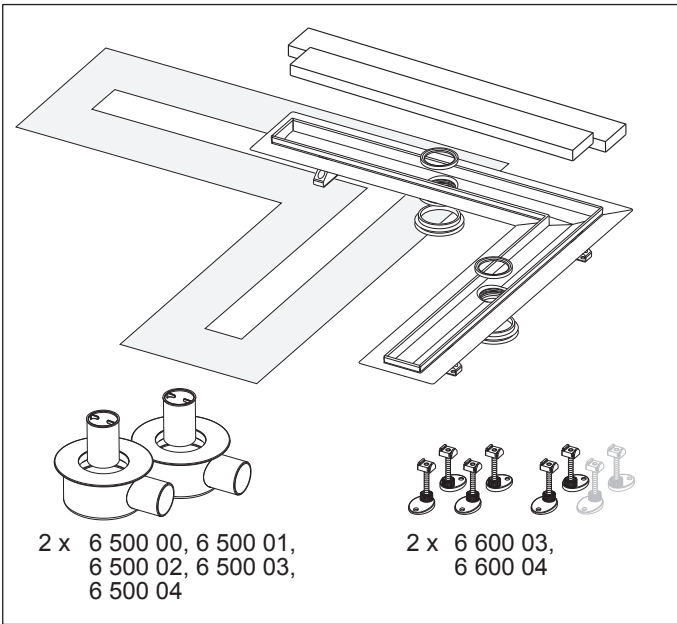
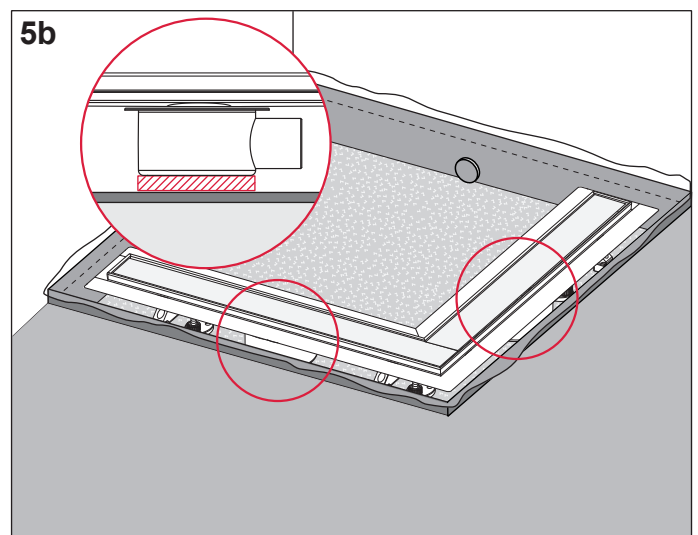
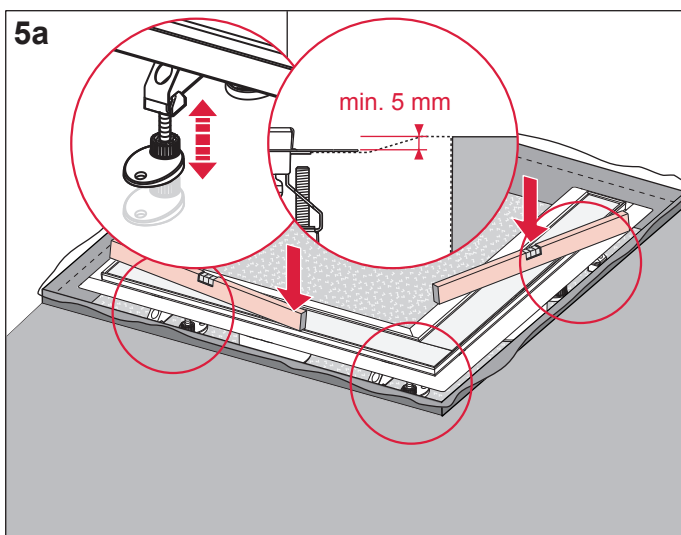
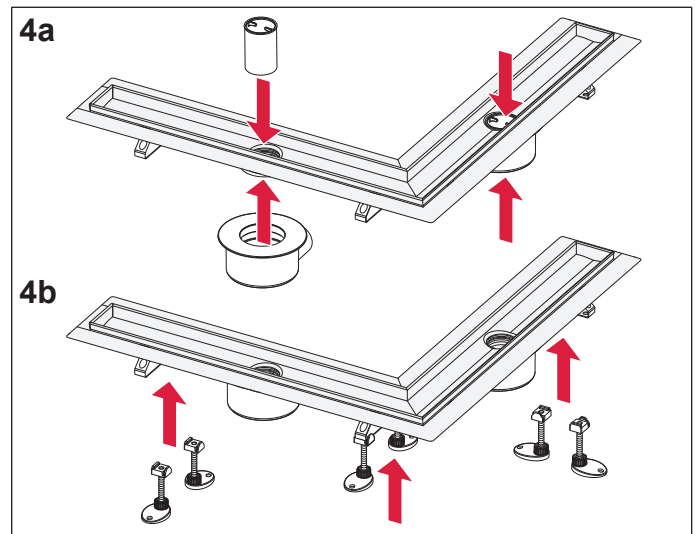
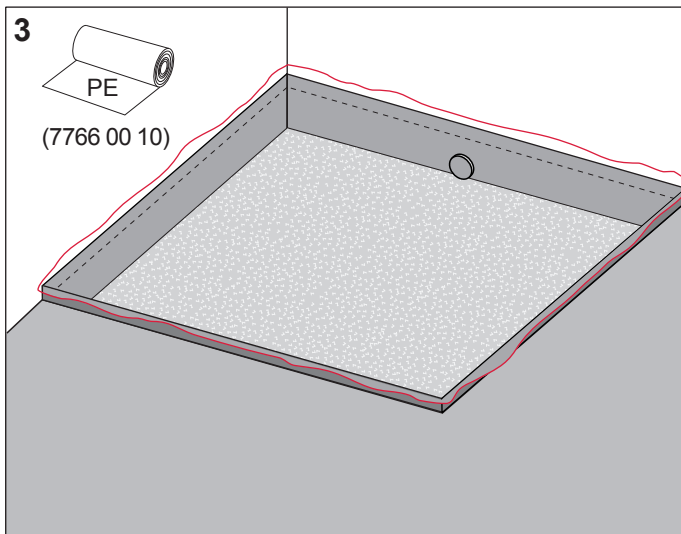
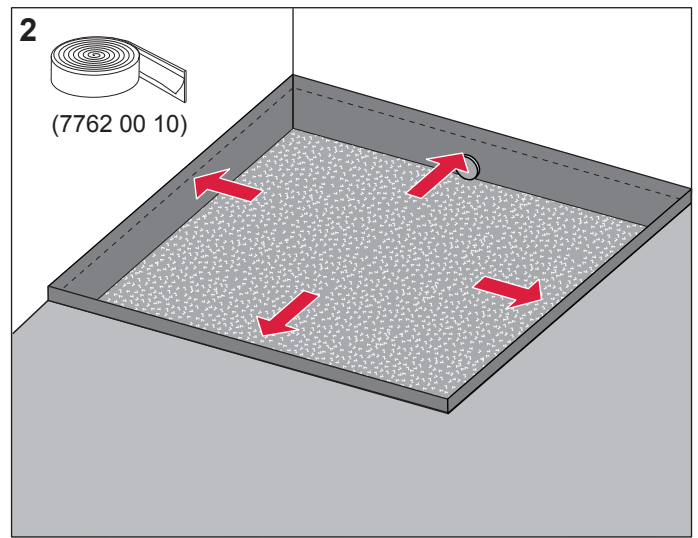
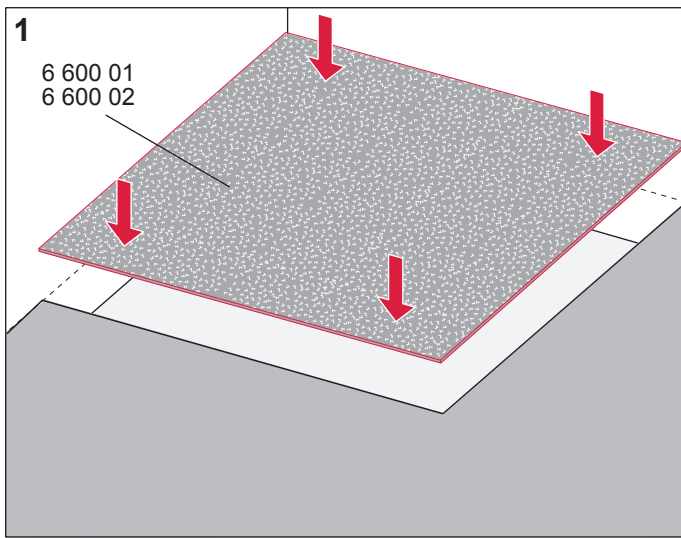
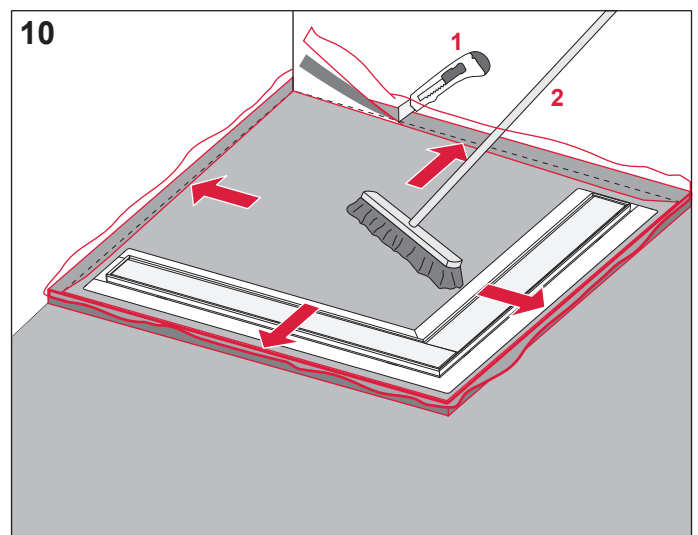
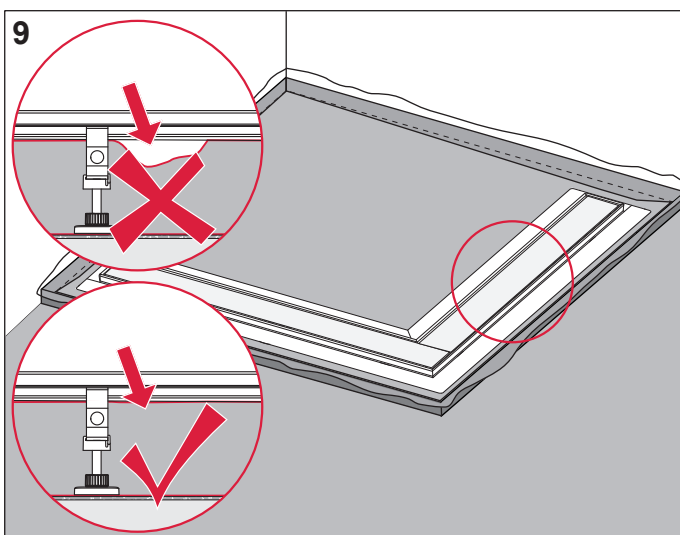
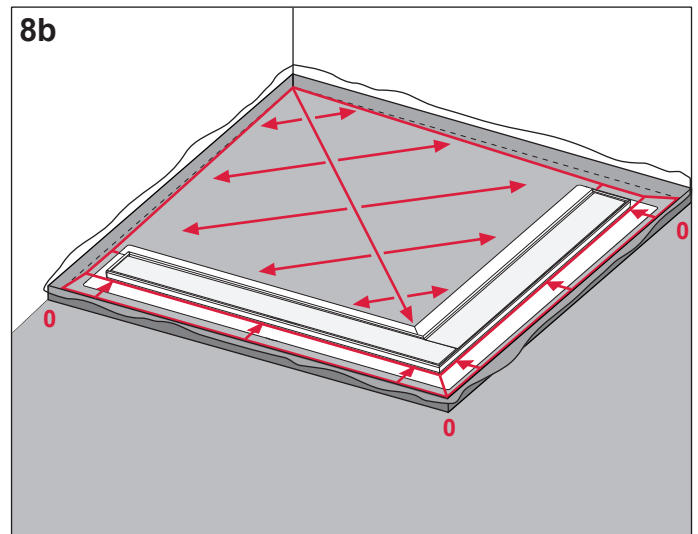
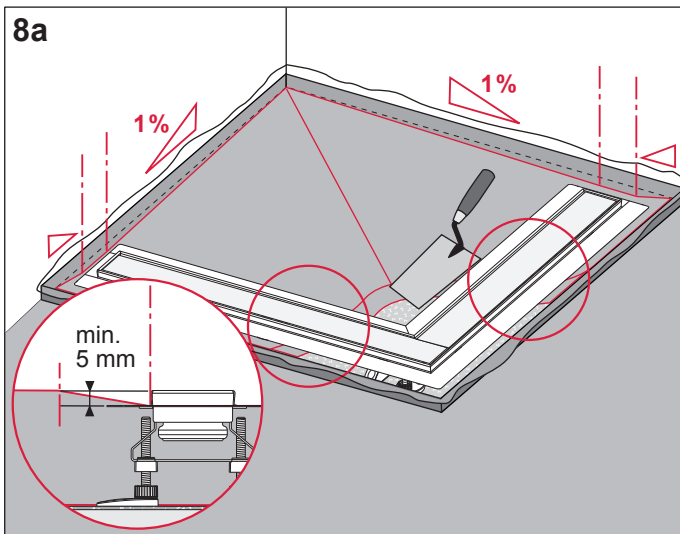
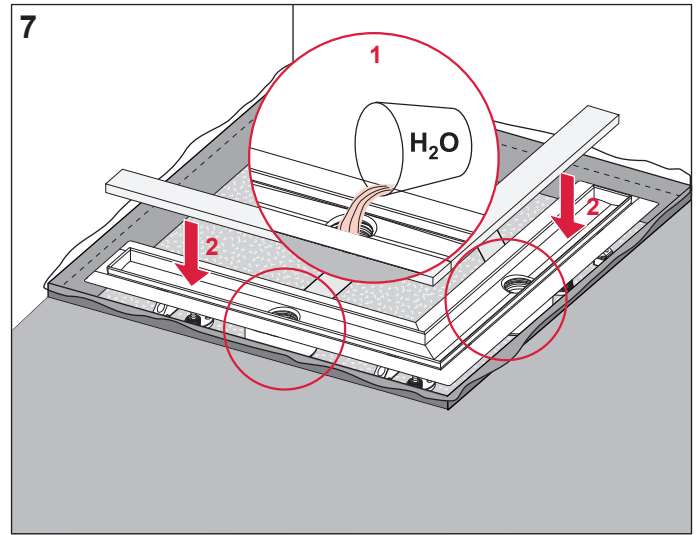
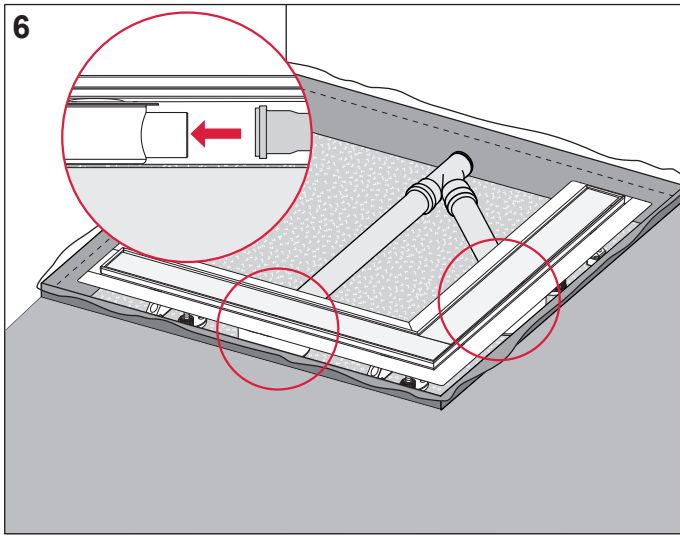


# TECEdrainline – 6 1xx 00

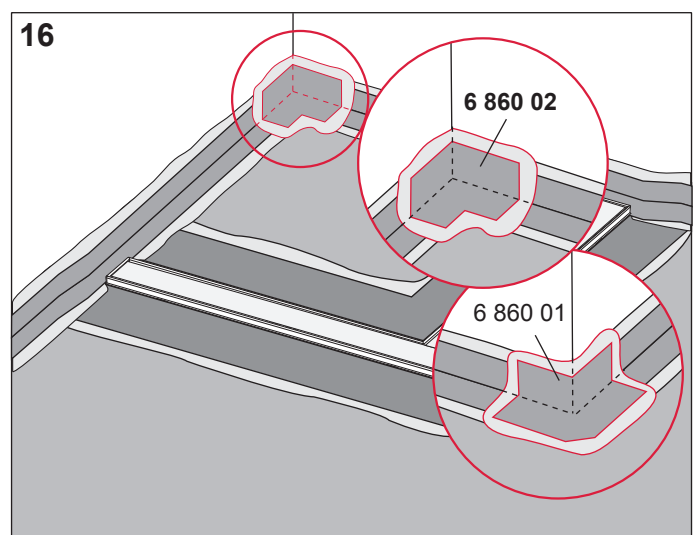
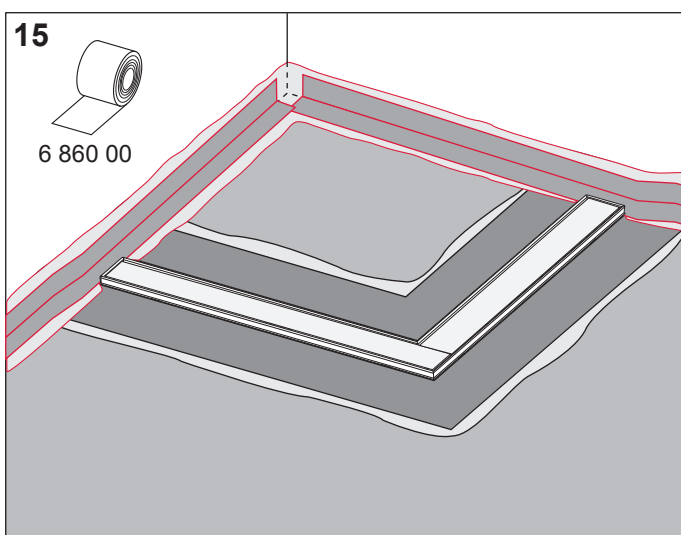
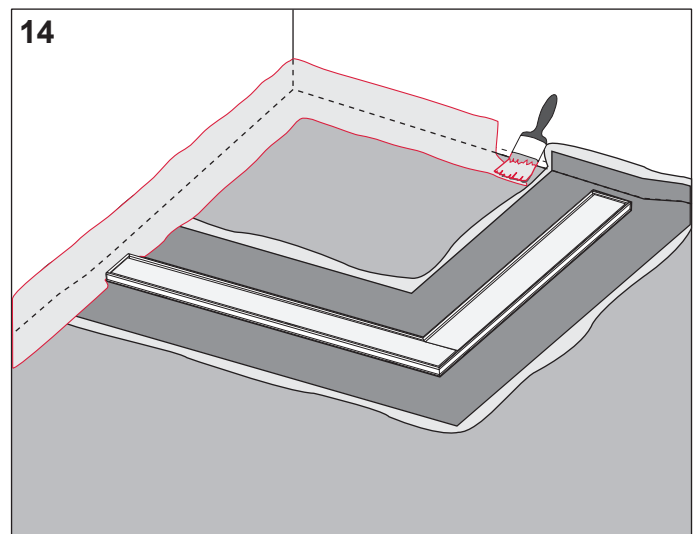
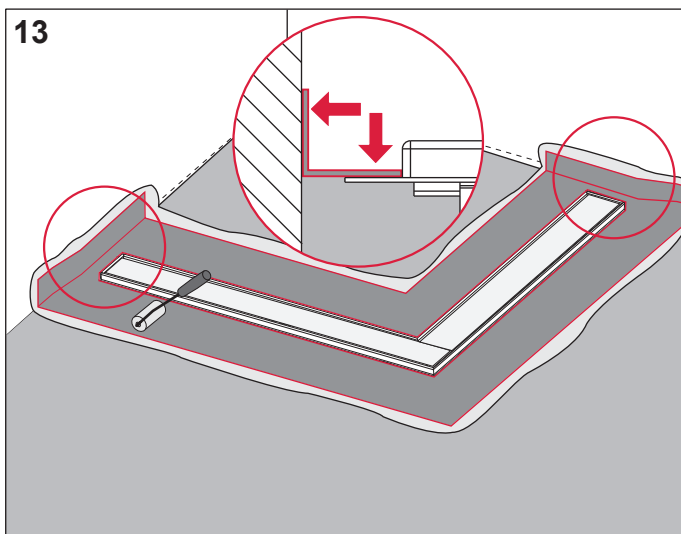
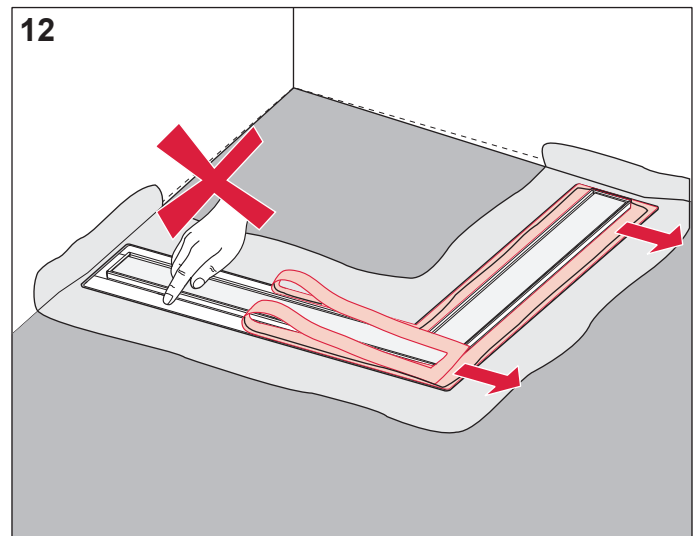
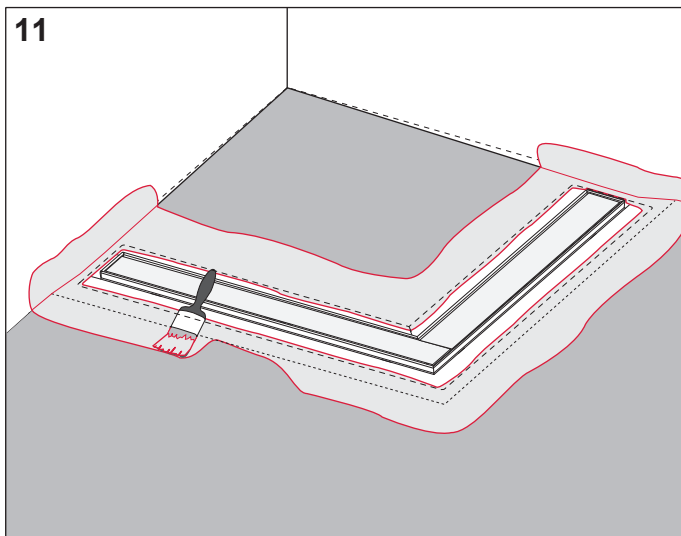


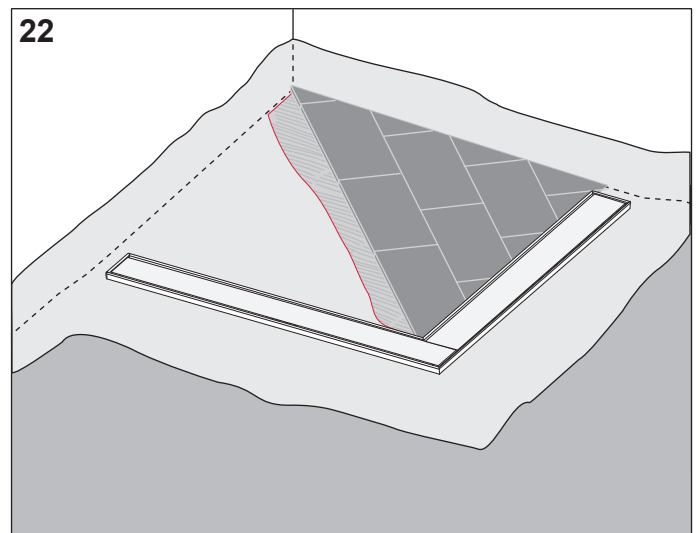
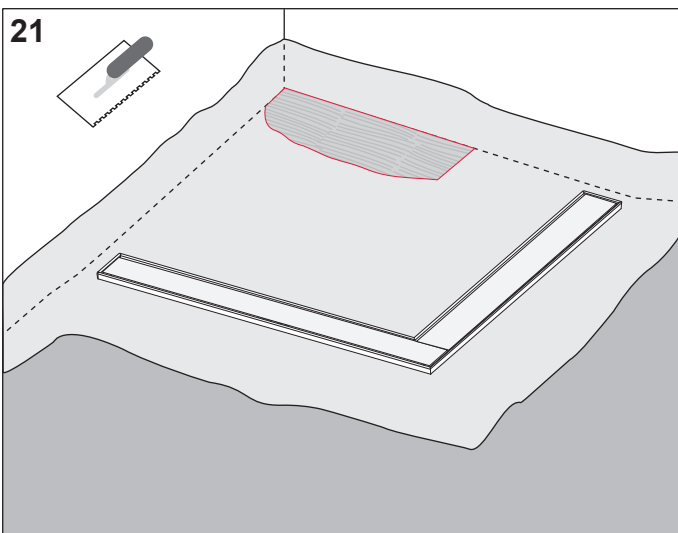
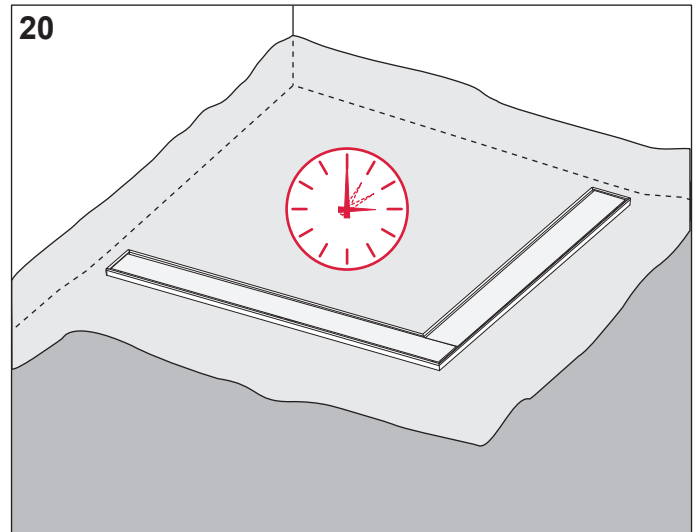
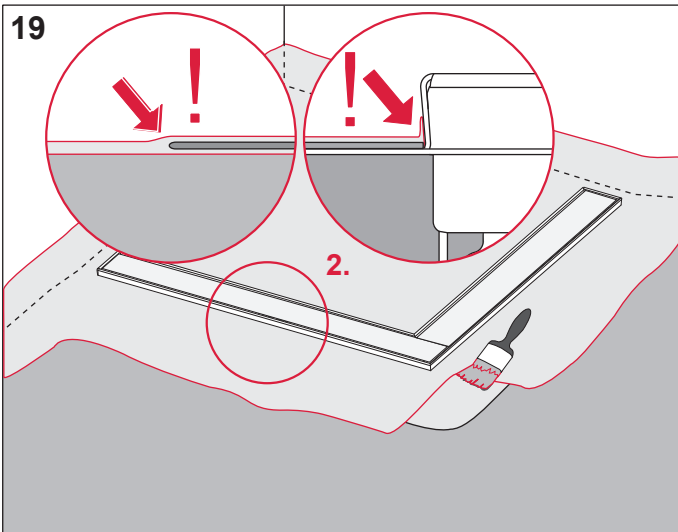
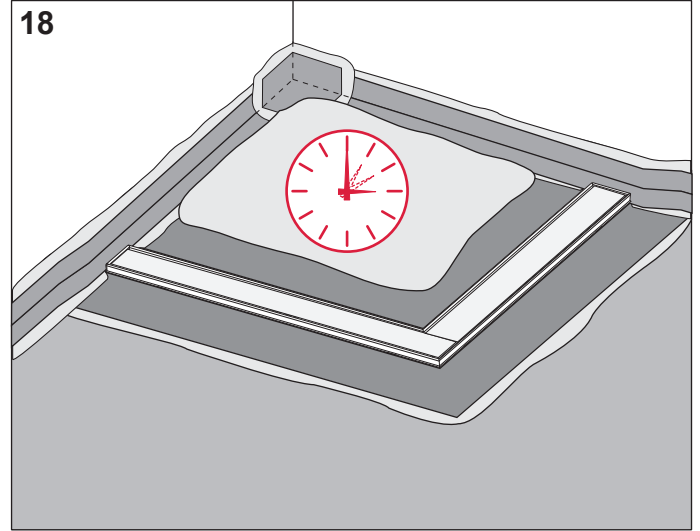
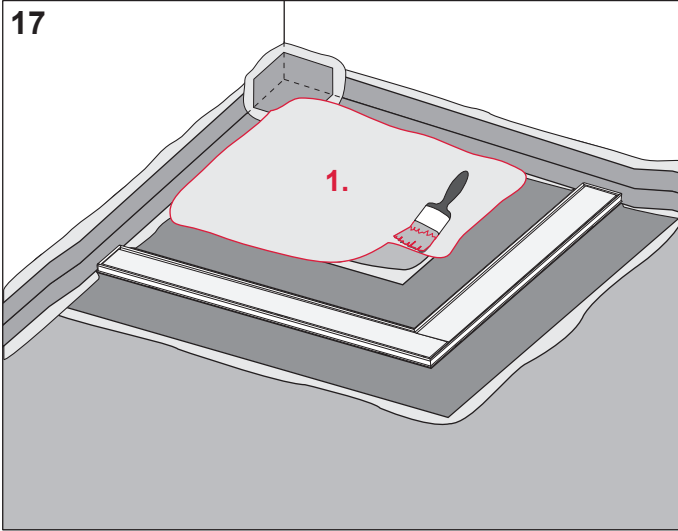
# TECEdrainline – 6 1xx 00





# TECEdrainline – 6 1xx 00





# TECEdrainline – 6 1xx 00

