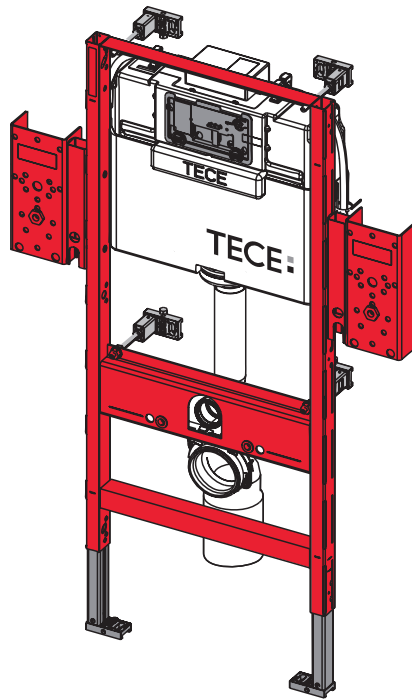


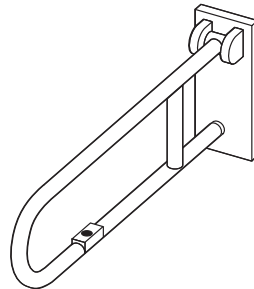
# TECE-Gerontomodul



Bestell-Nr. 9.300.006

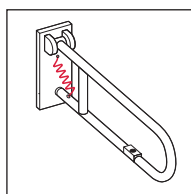
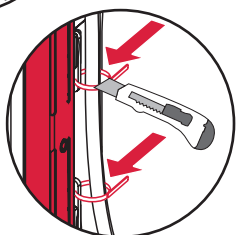
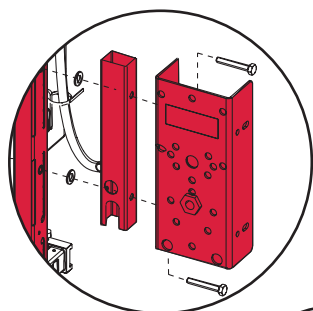
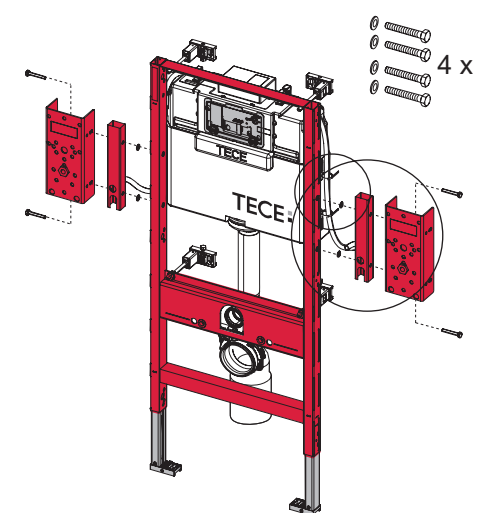
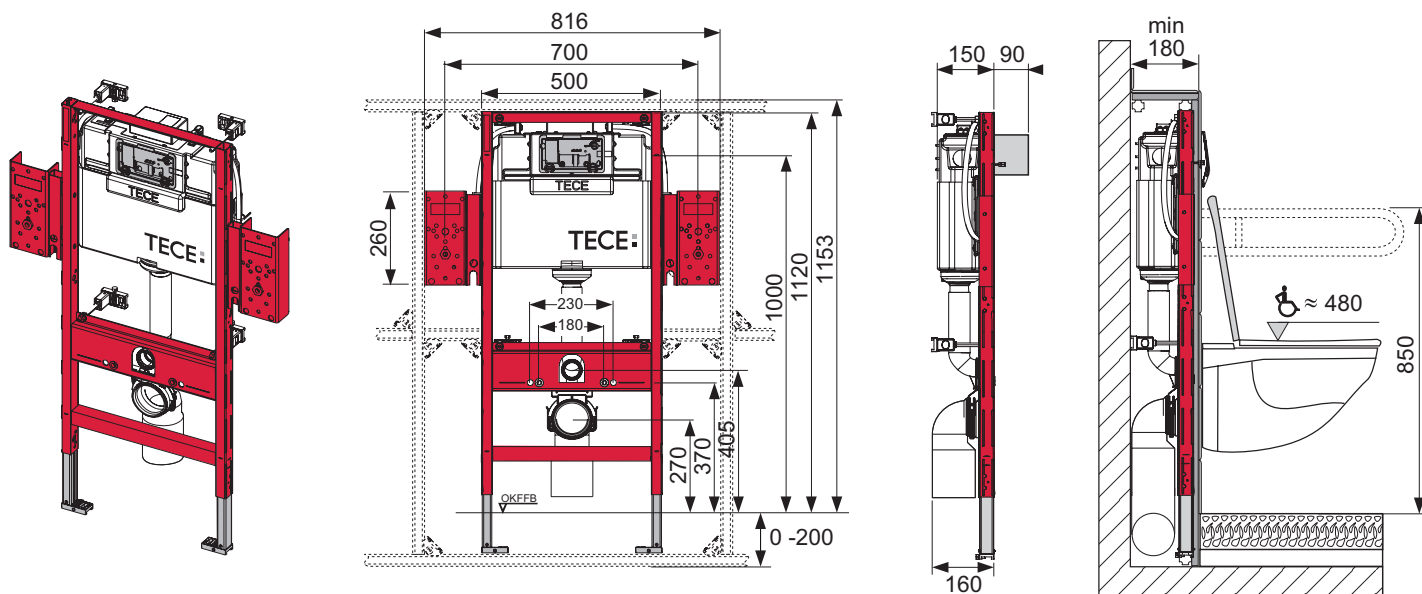
## NORMBAU-Stützgriffe

- Nylon Line
- Combi Line
- Stainless Line

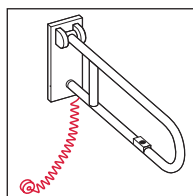
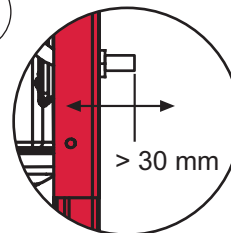
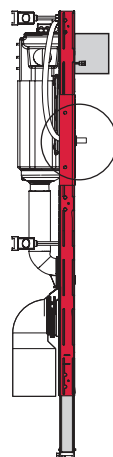
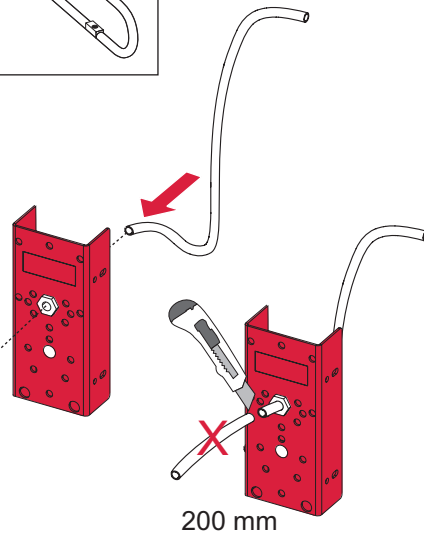


# TECE:

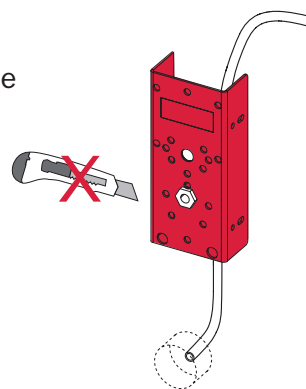
Intelligente Haustechnik

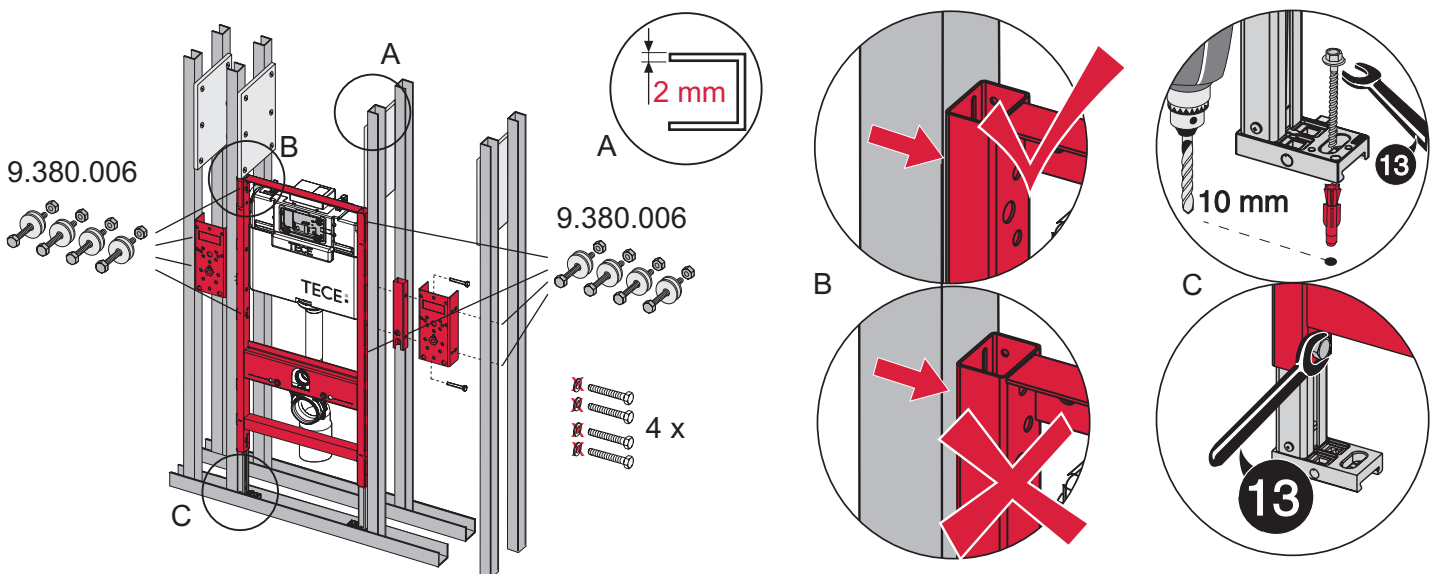
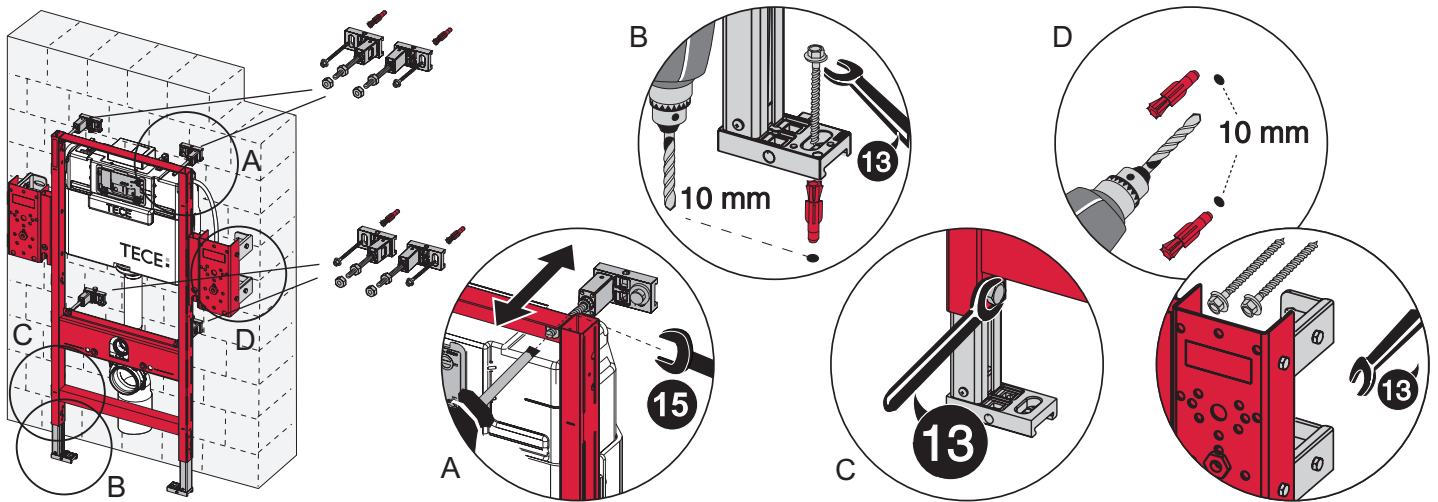
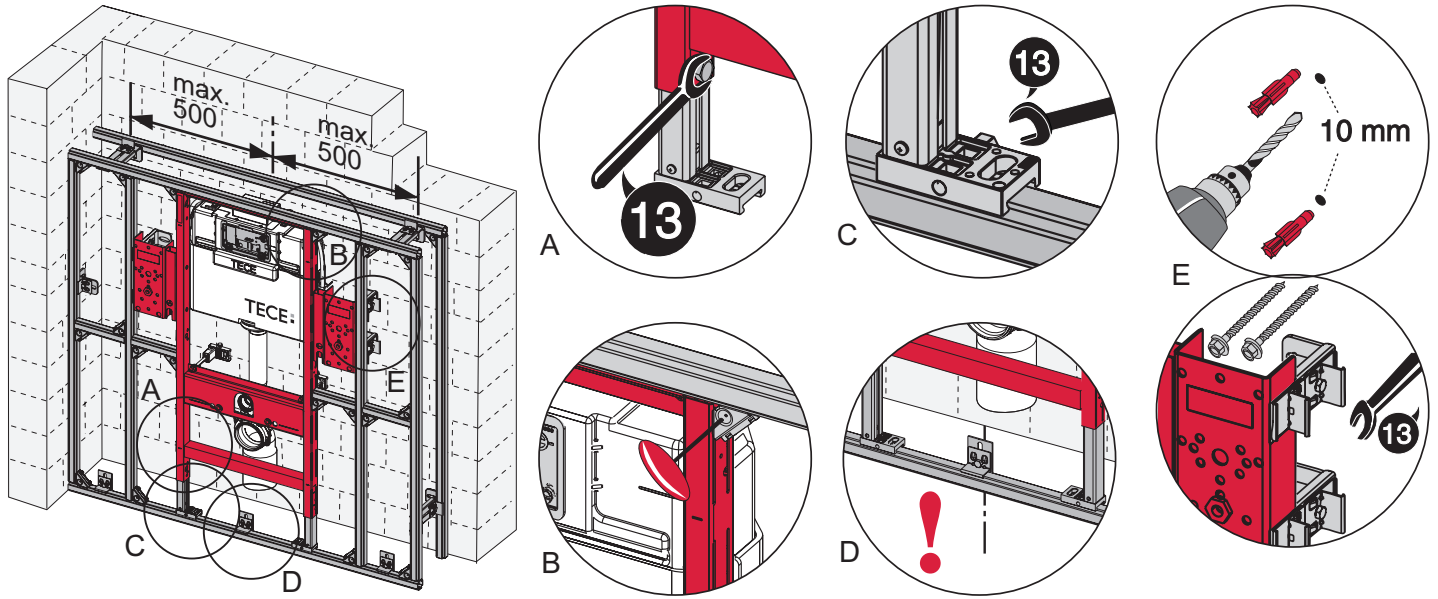


Nylon Line  
Combi Line  
Stainless Line



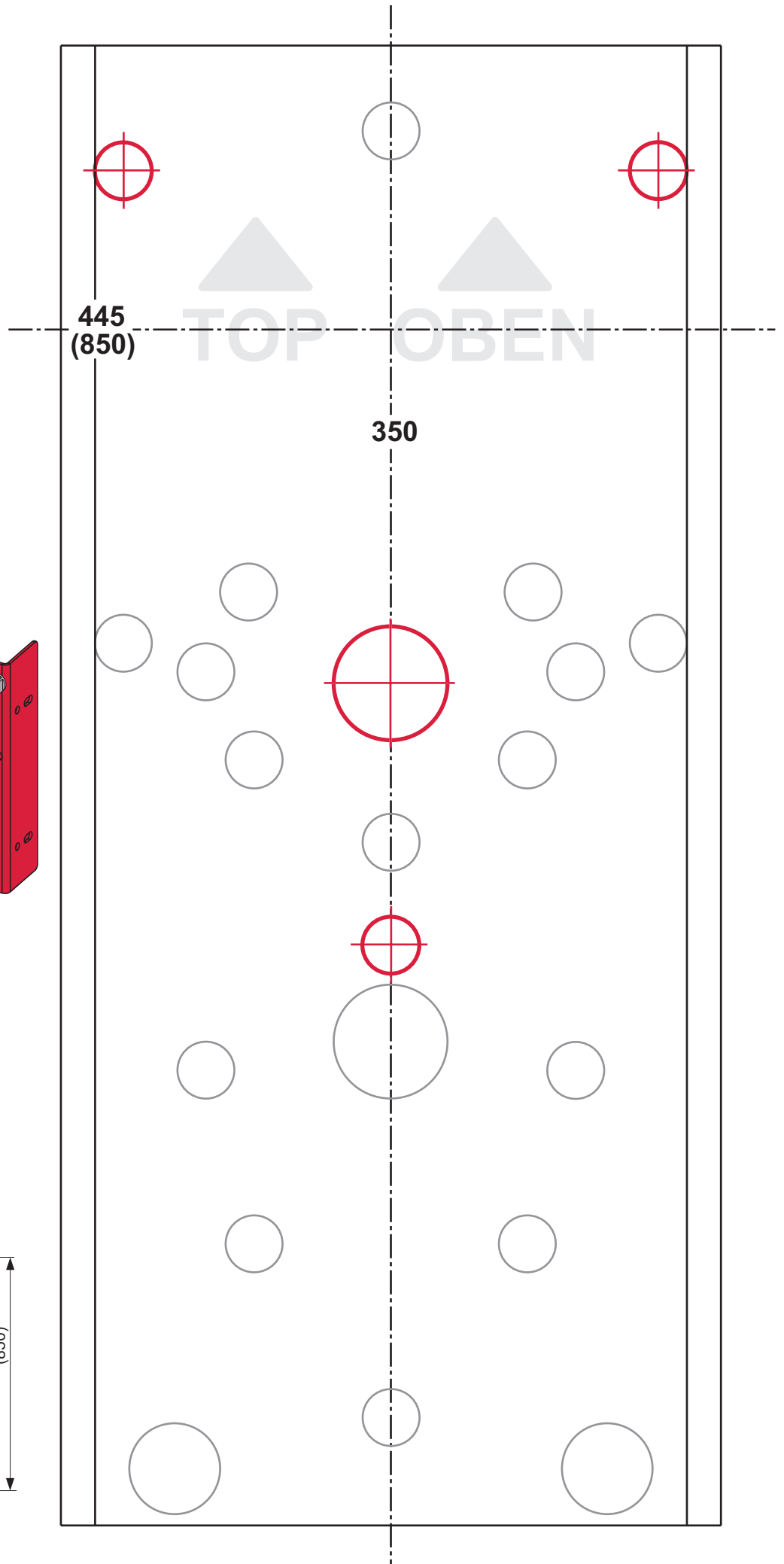
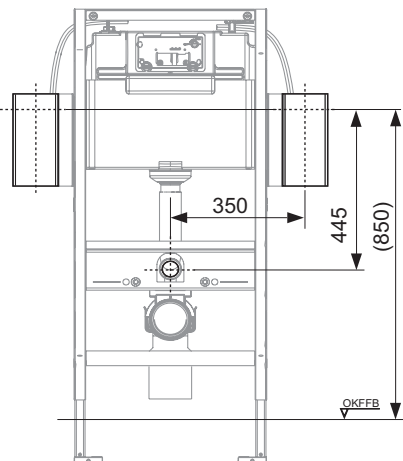
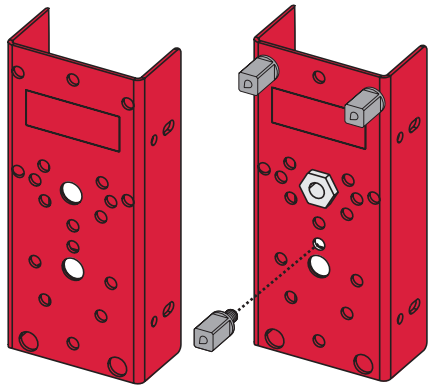
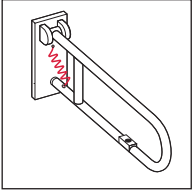
Nylon Line  
Combi Line  
Stainless Line





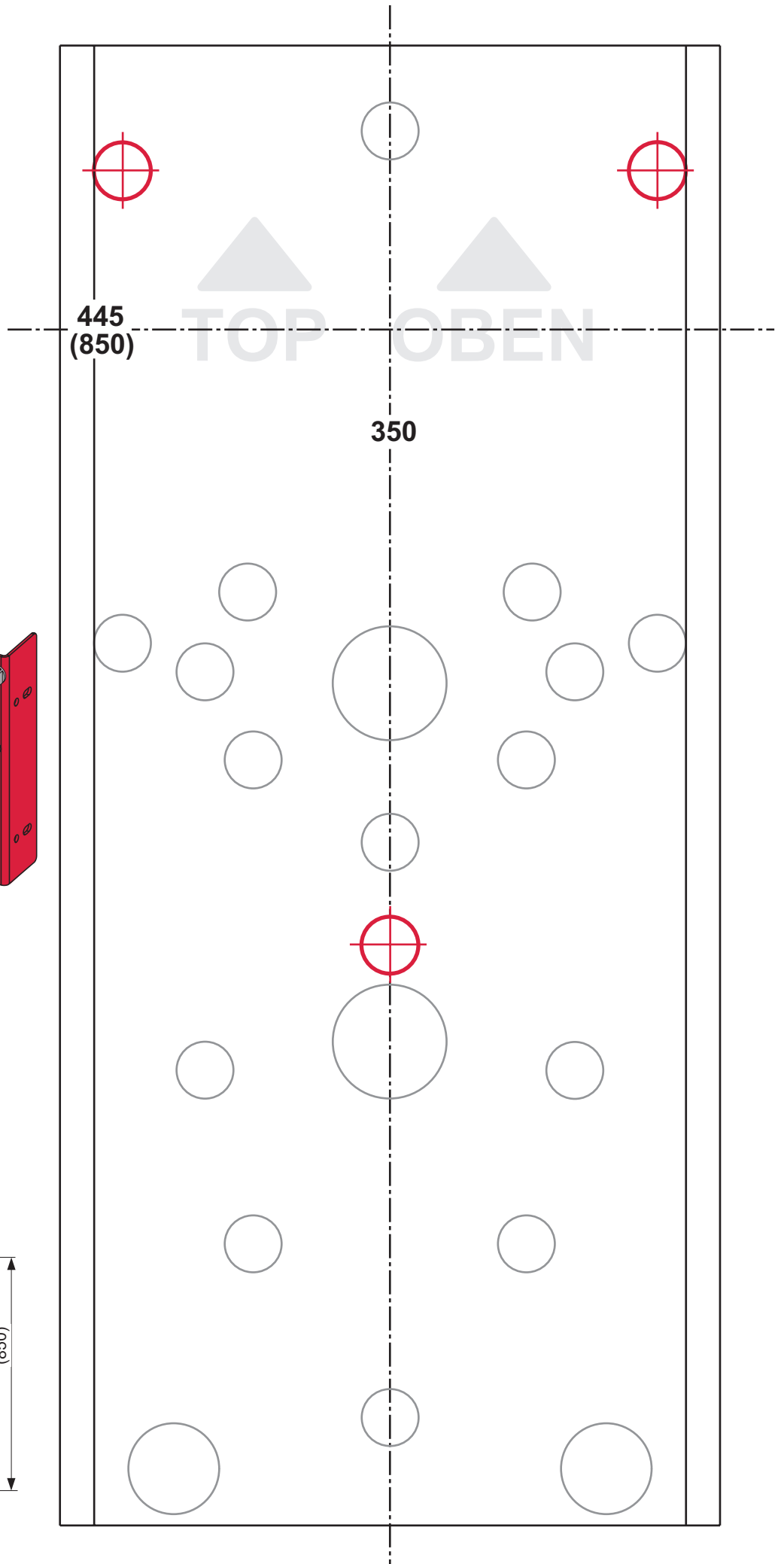
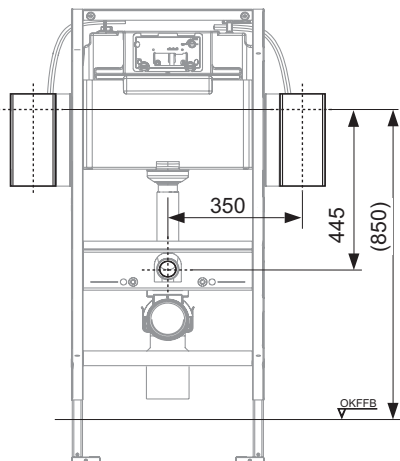
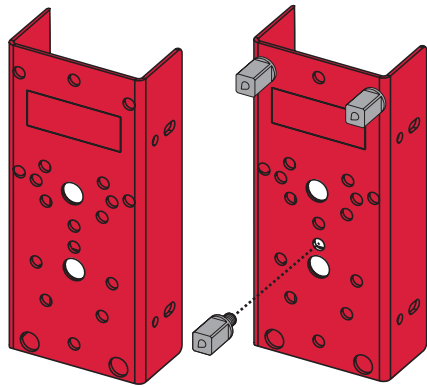
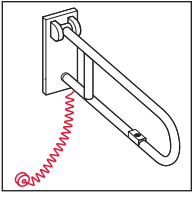
# NORMBAU

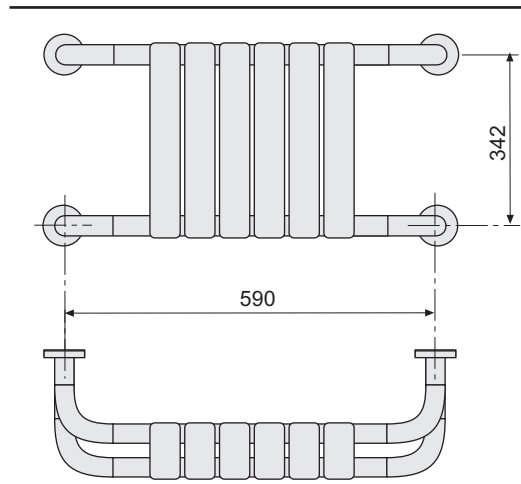
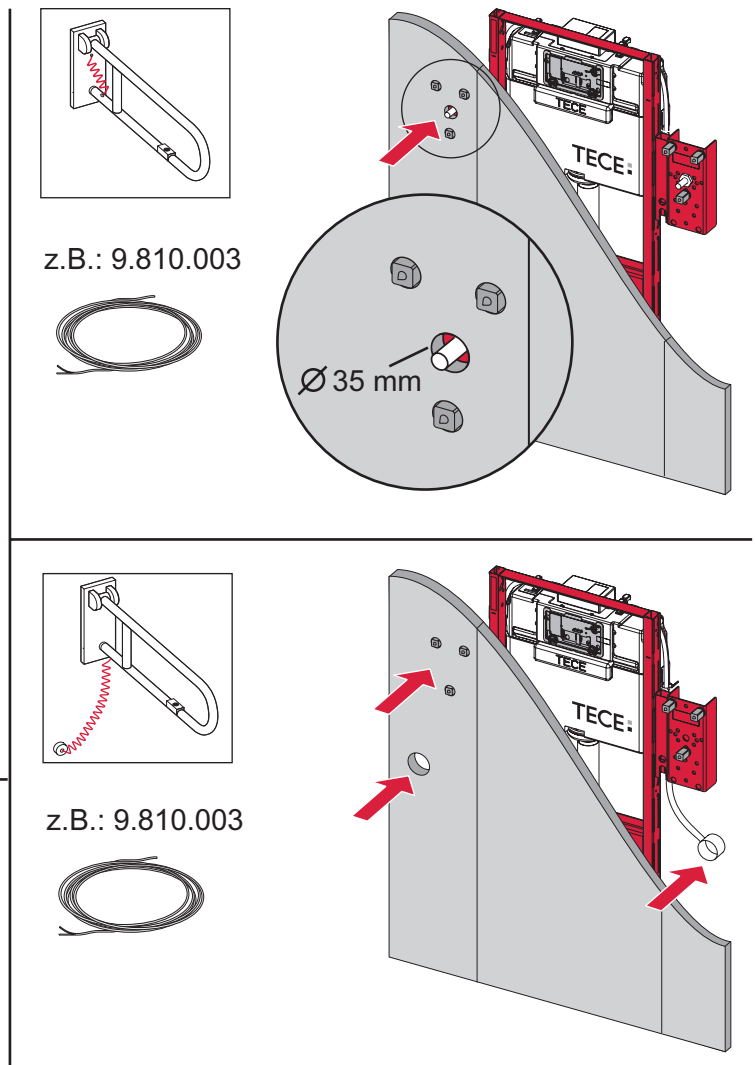
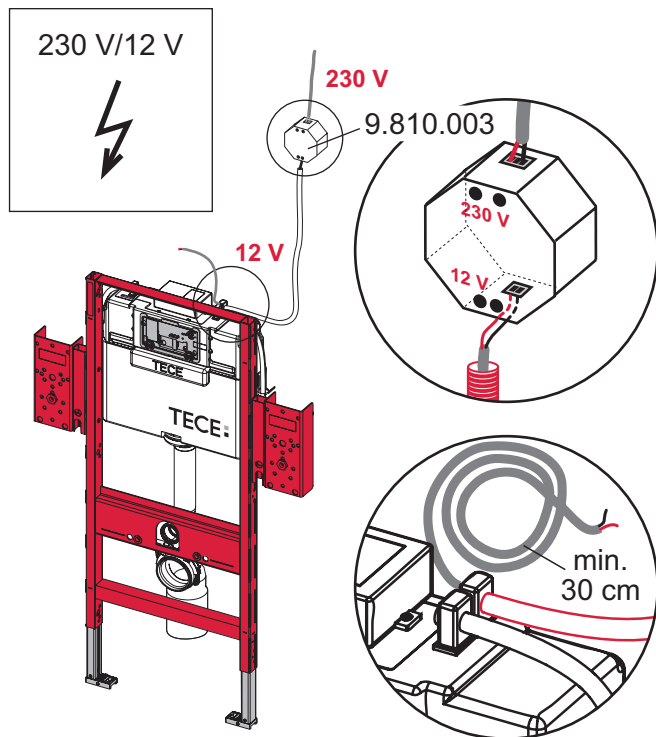
- Nylon Linie
- Combi Linie
- Stainless Linie



# NORMBAU

- Nylon Linie
- Combi Linie
- Stainless Linie





NORMBAU NY.841.320  
Bestell-Nr. 0841 320

NORMBAU NY.841.325 Antibacterial  
Bestell-Nr. 4841 320

