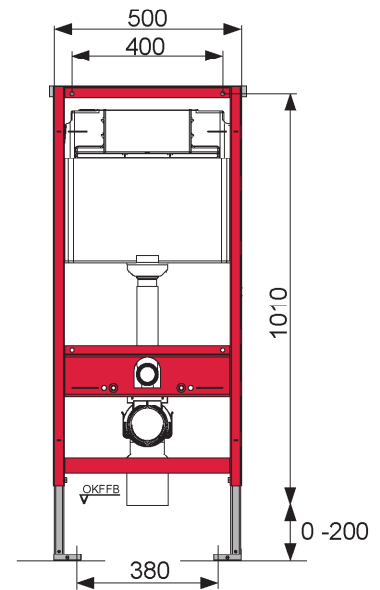
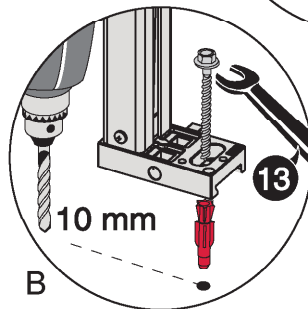
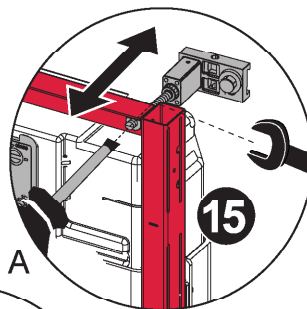
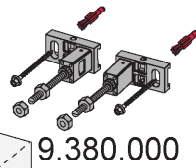
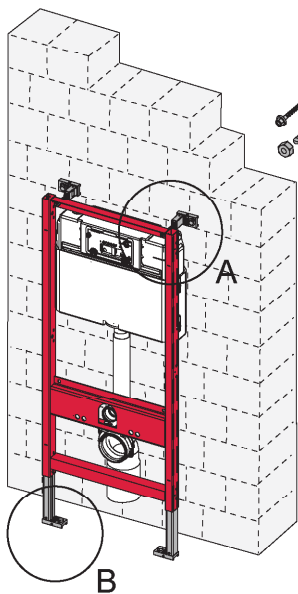
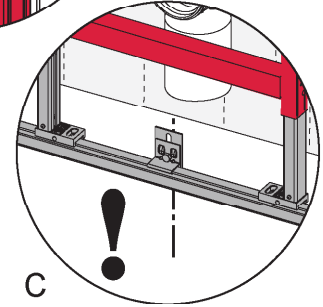
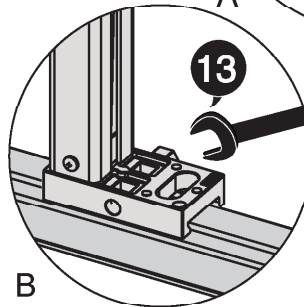
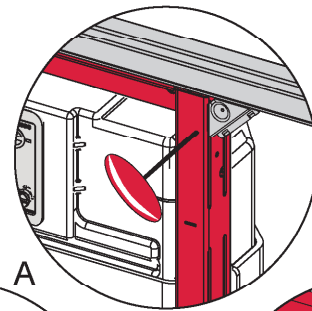
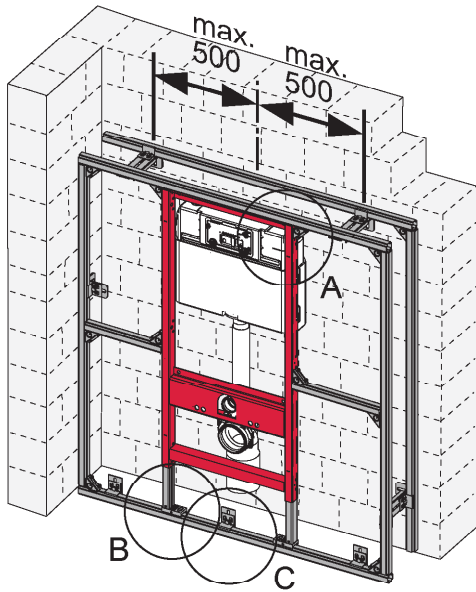
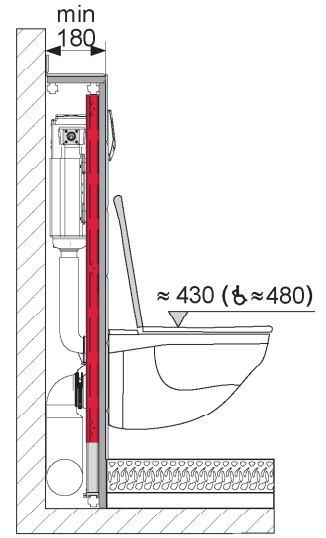
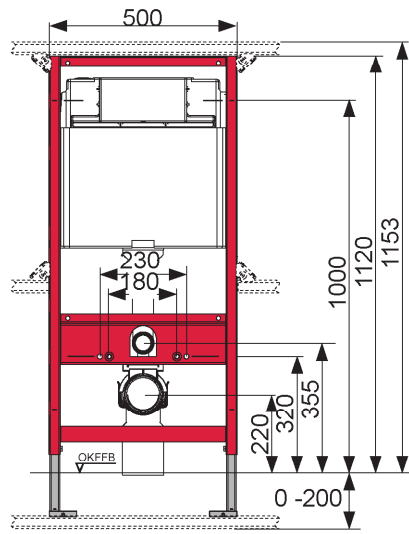
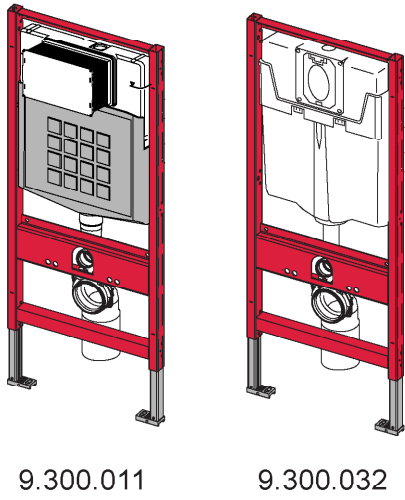
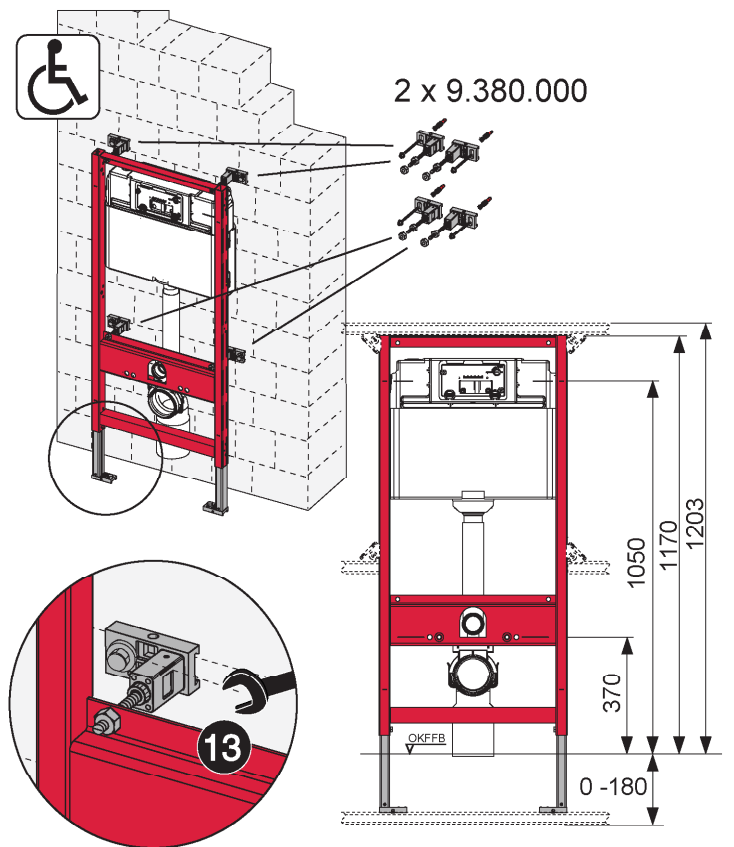
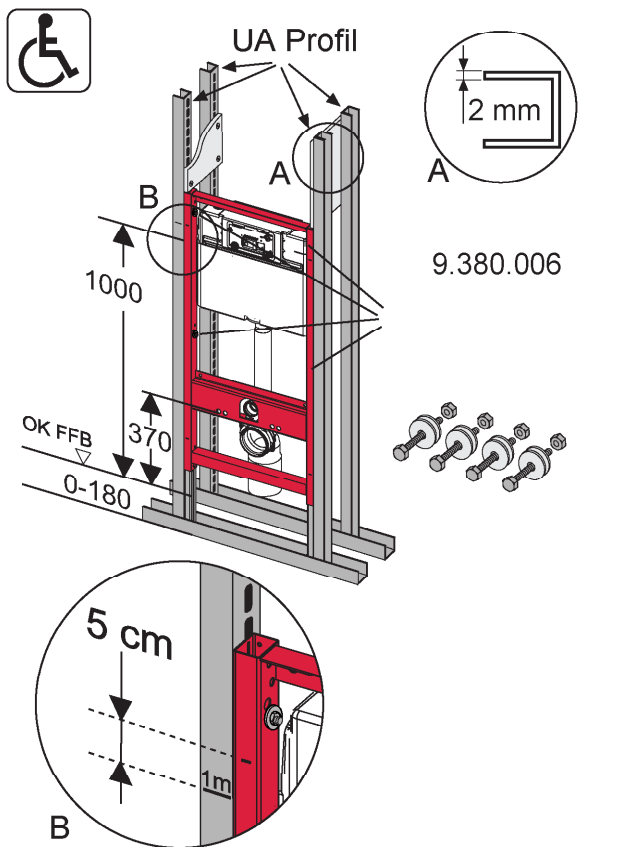
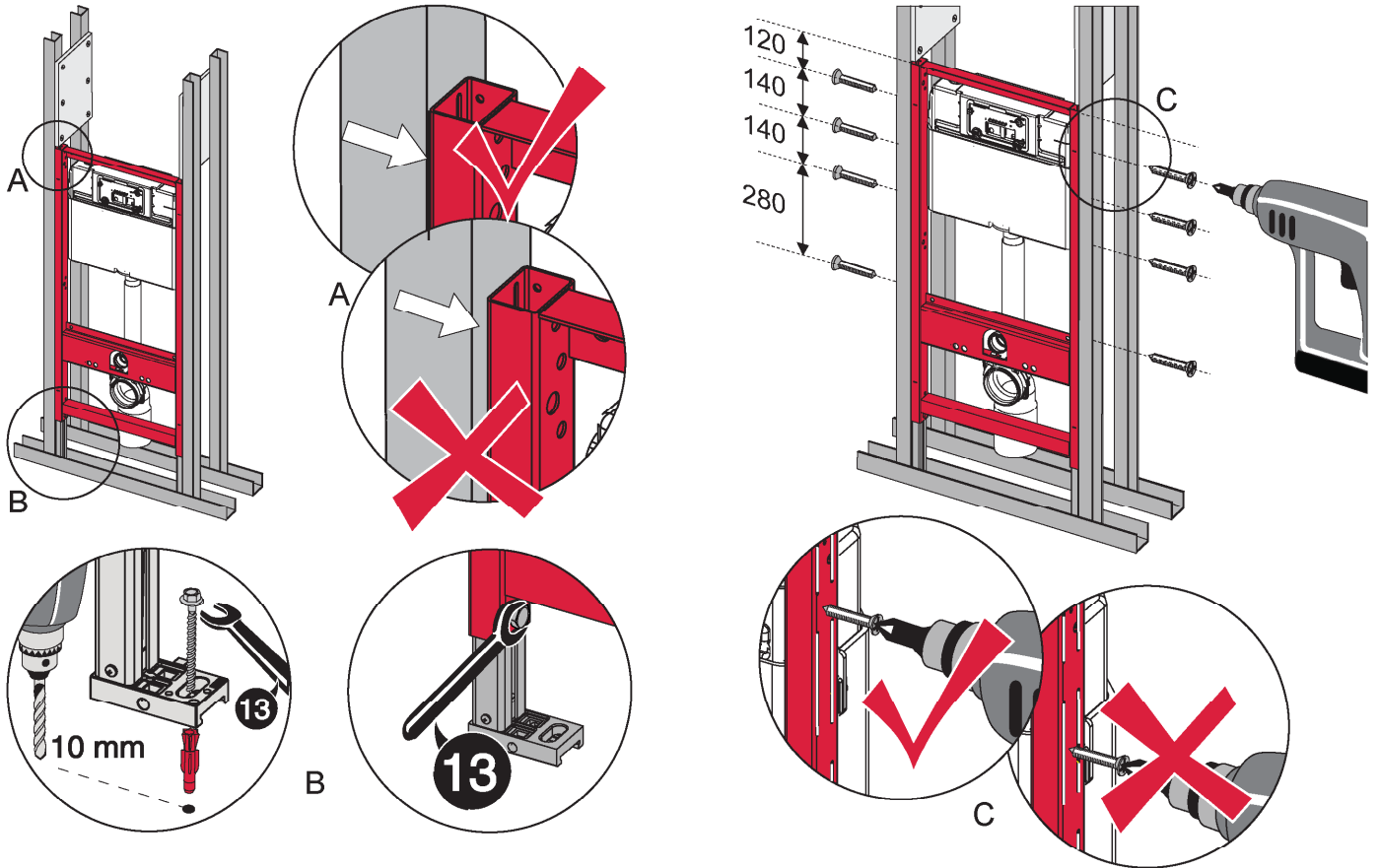
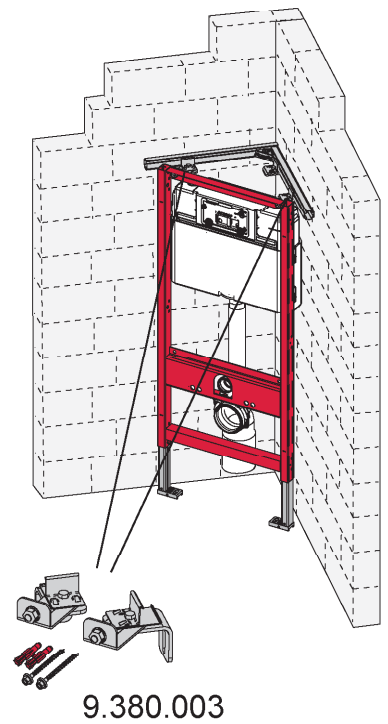
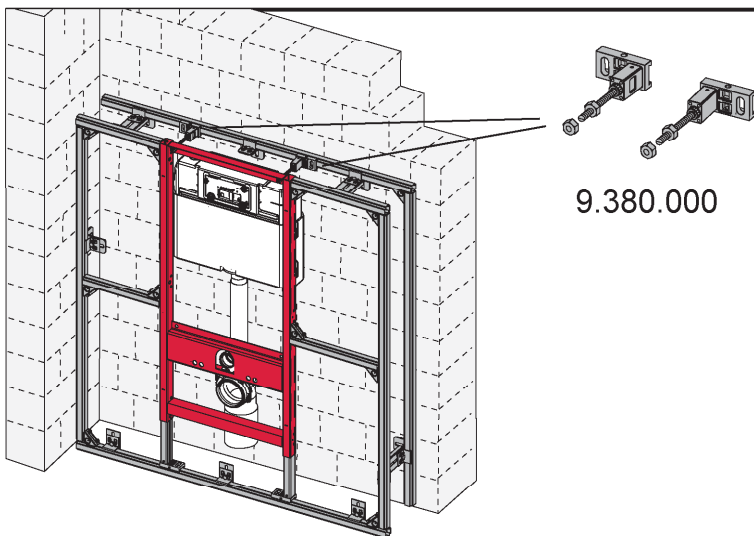
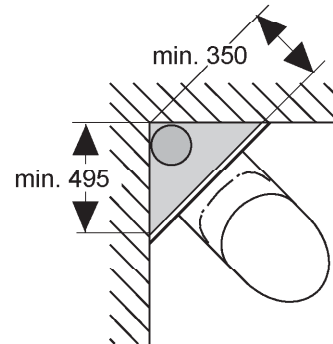
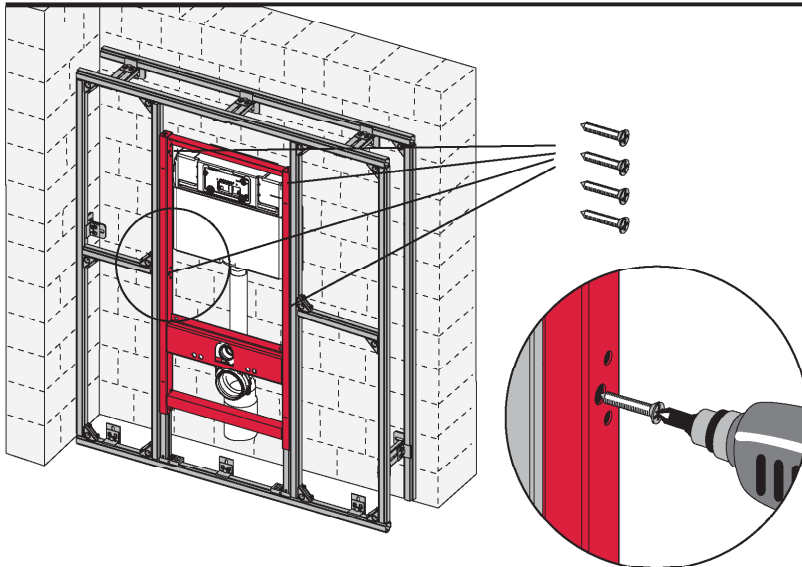
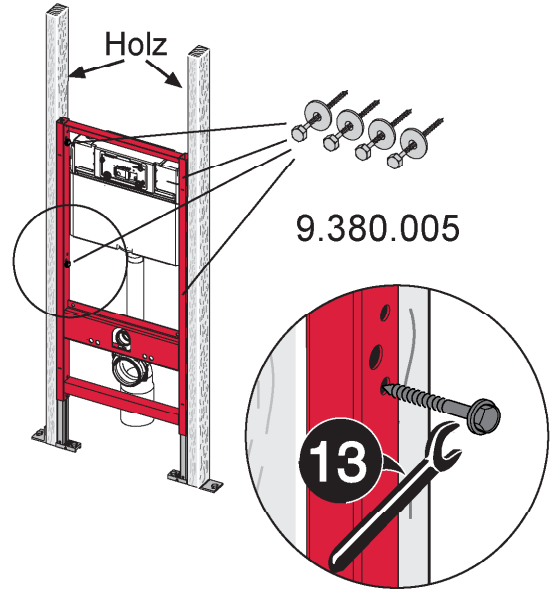
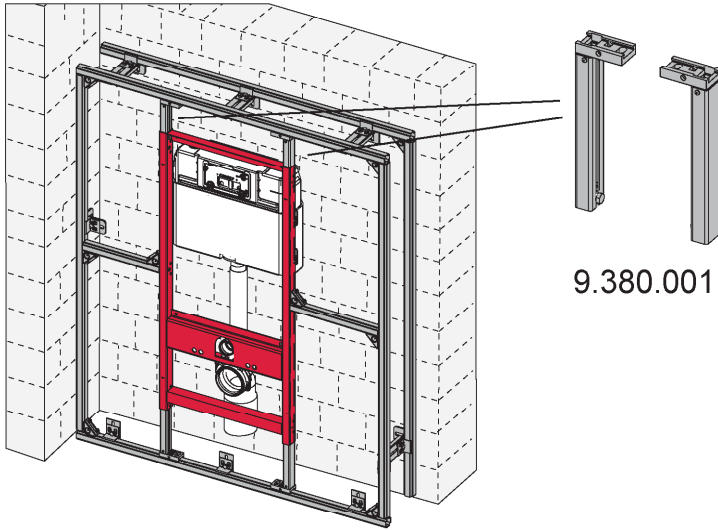


TECEprofil – 9.300.011/9.300.032



TECE:





PR230 086 00 b