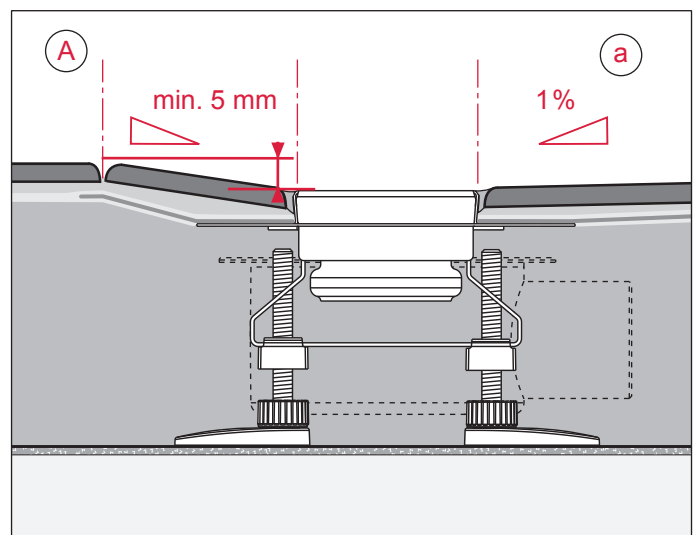
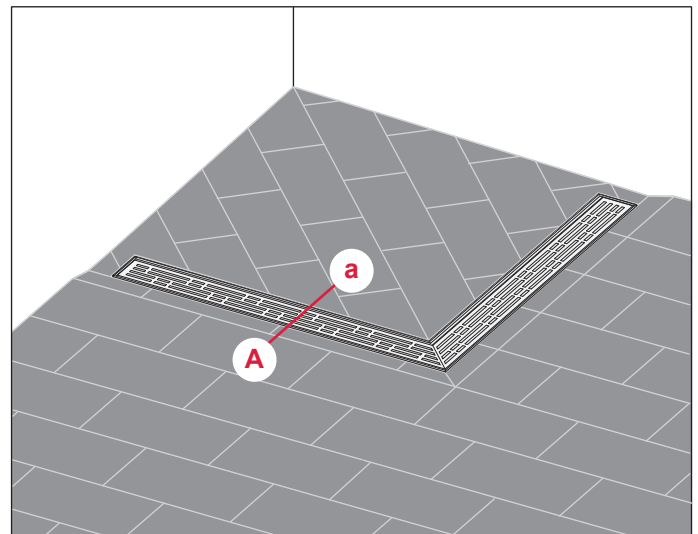
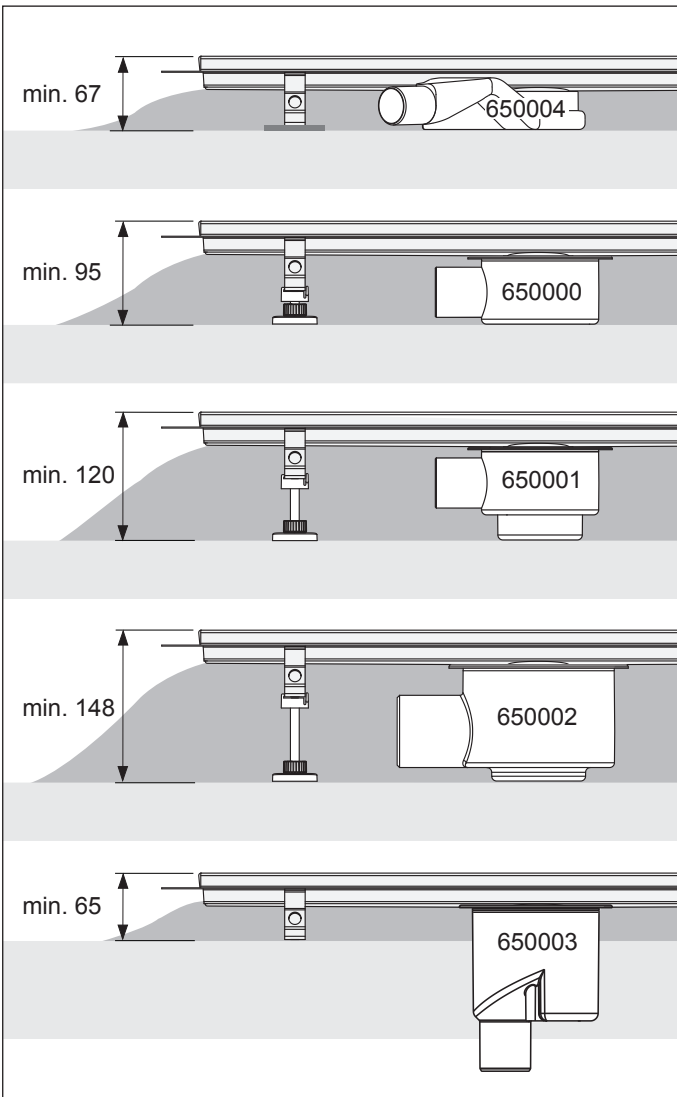
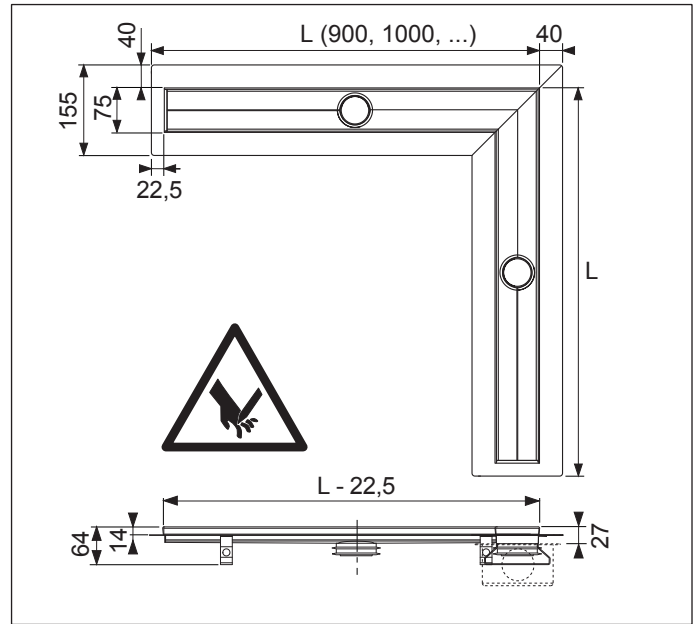
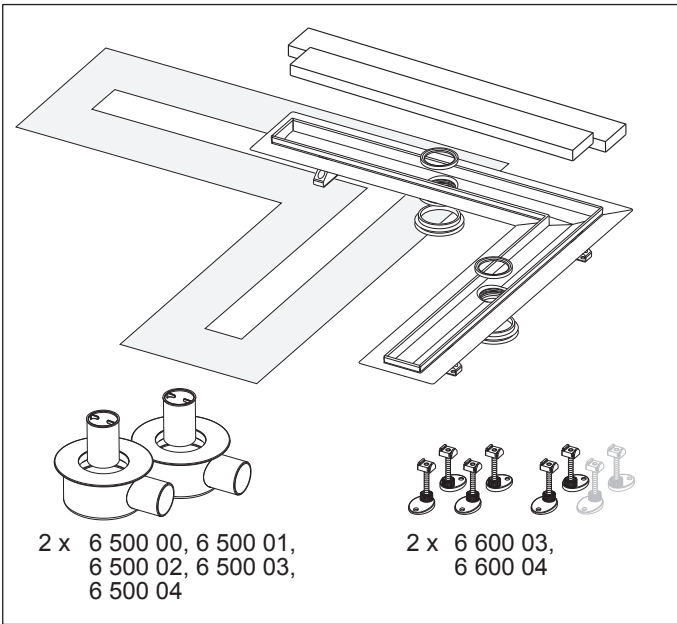
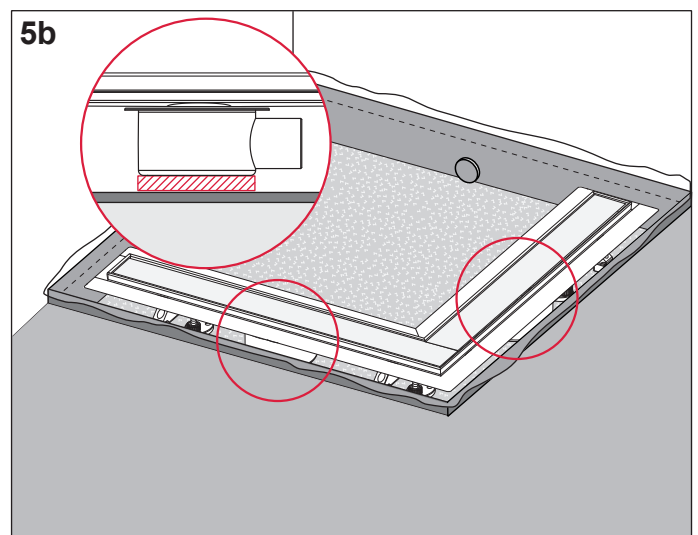
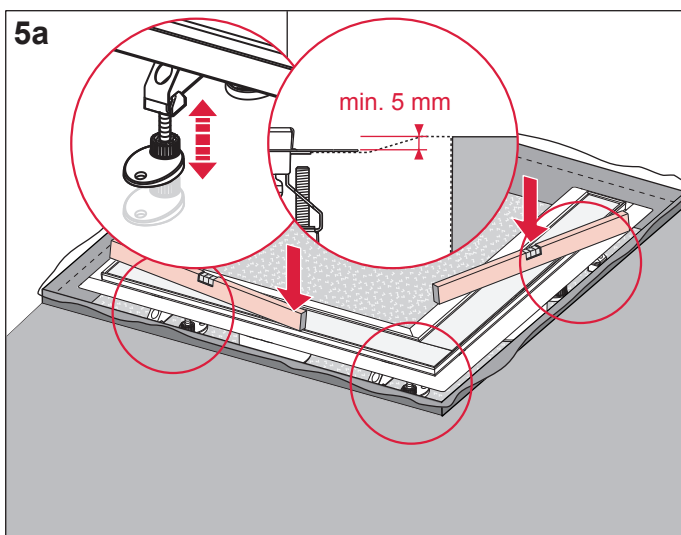
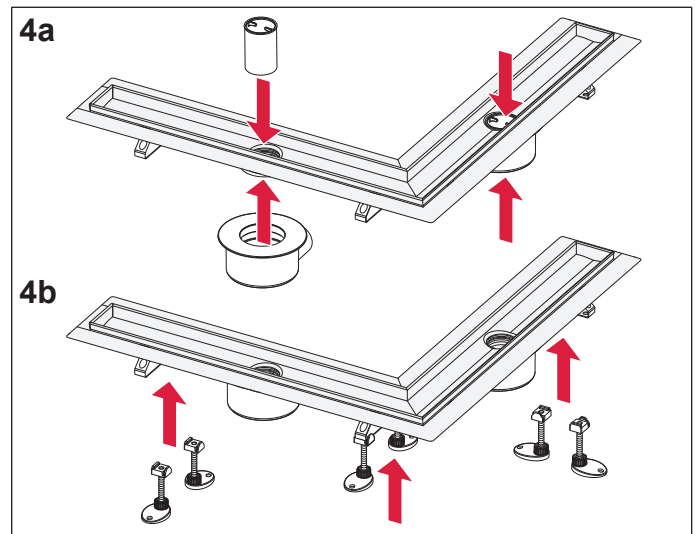
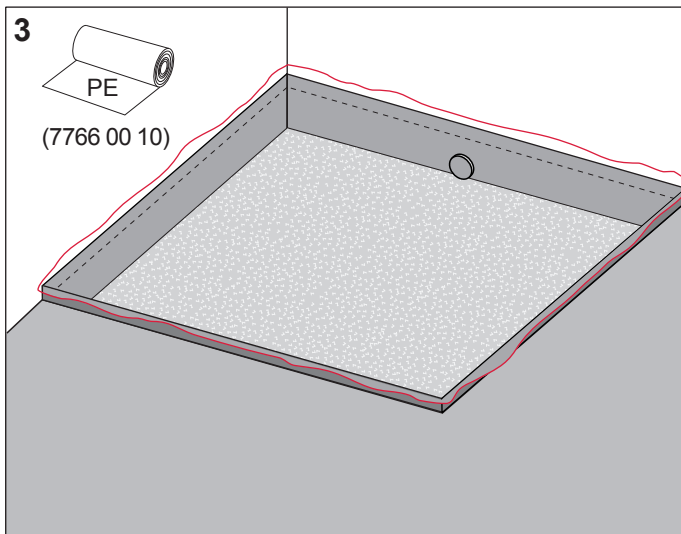
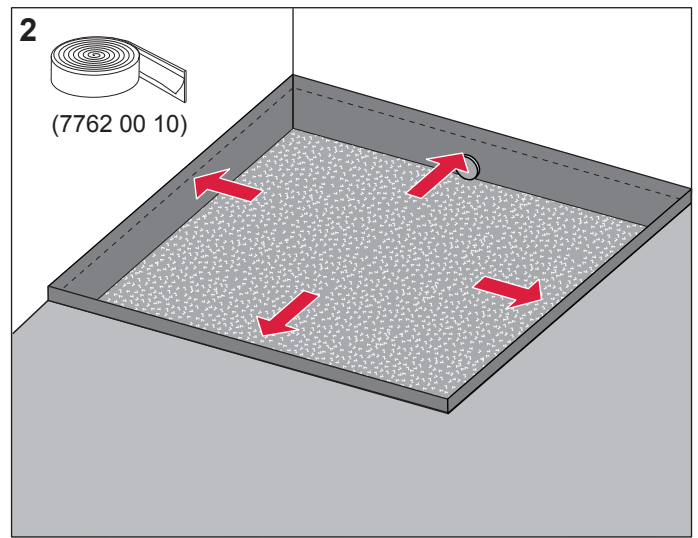
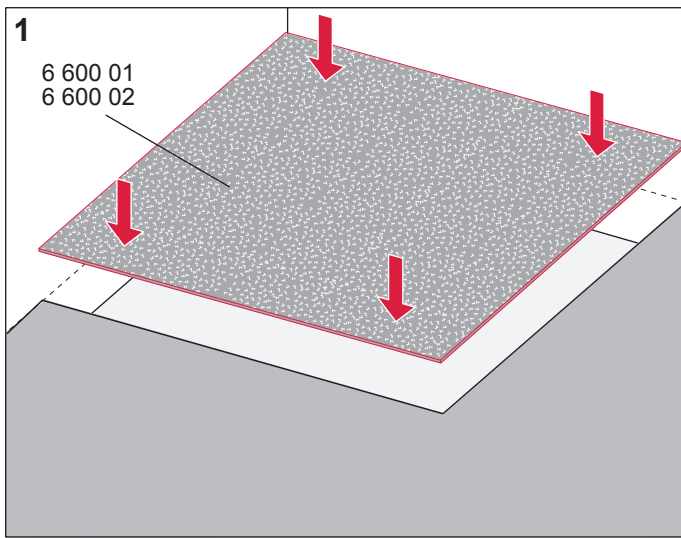
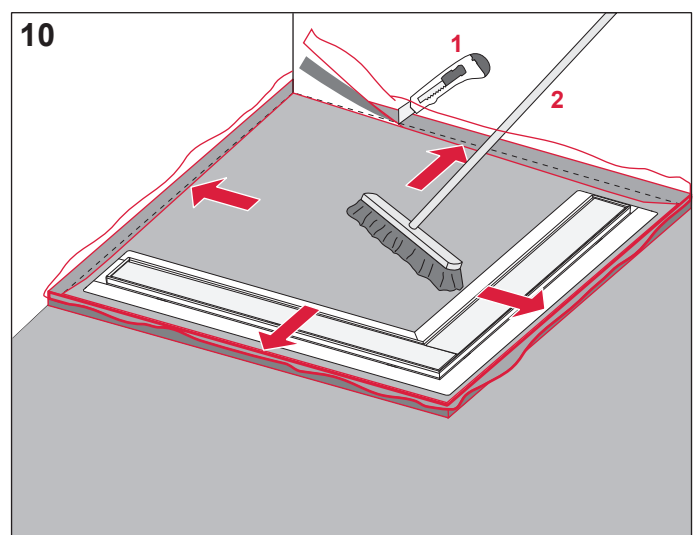
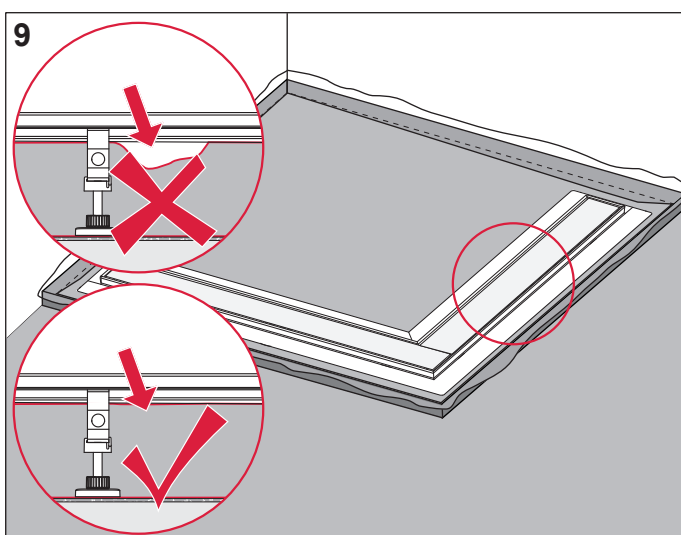
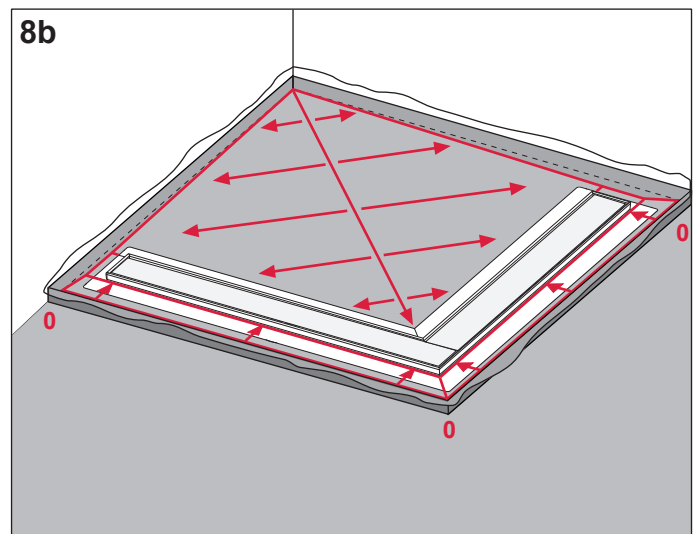
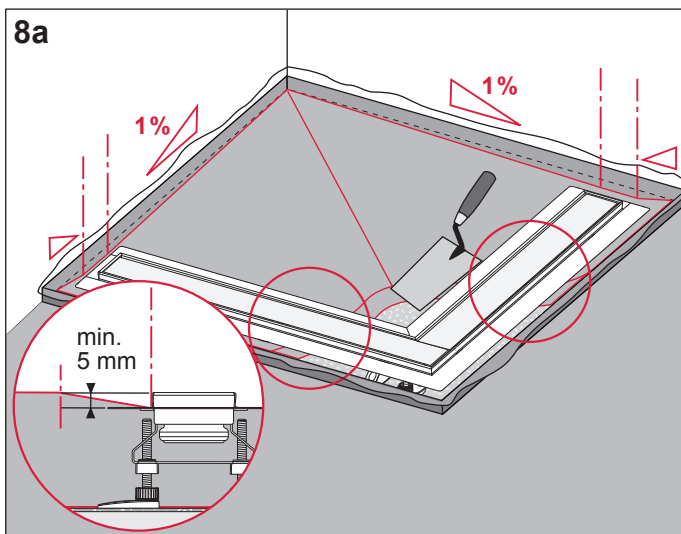
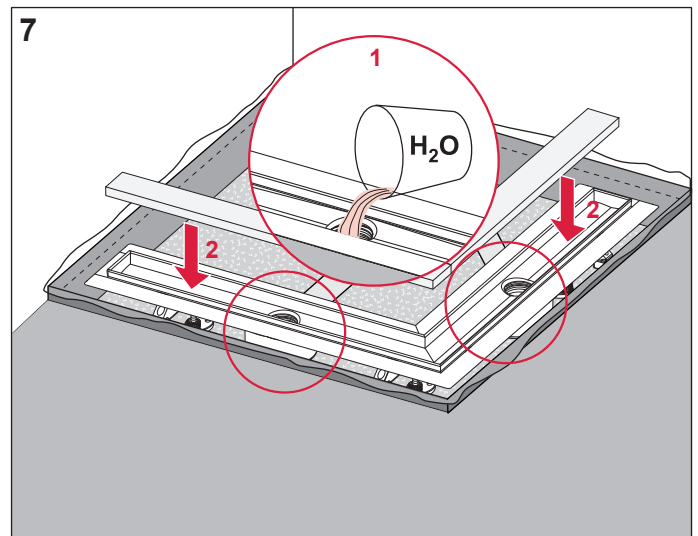
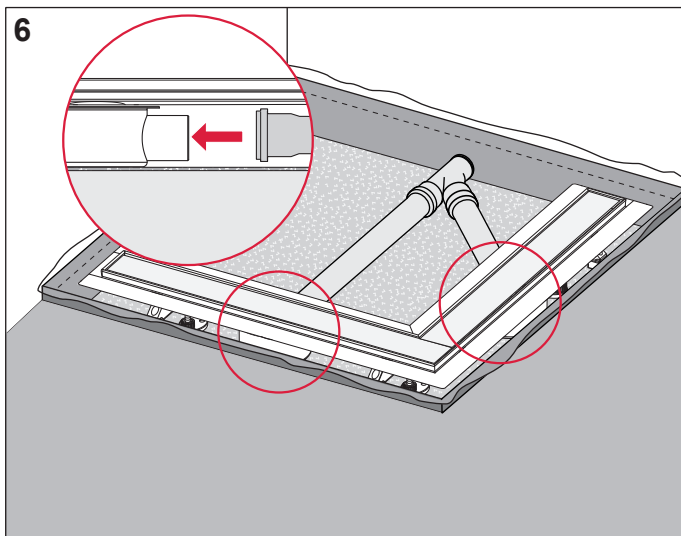


TECEdrainline – 6 1xx 00

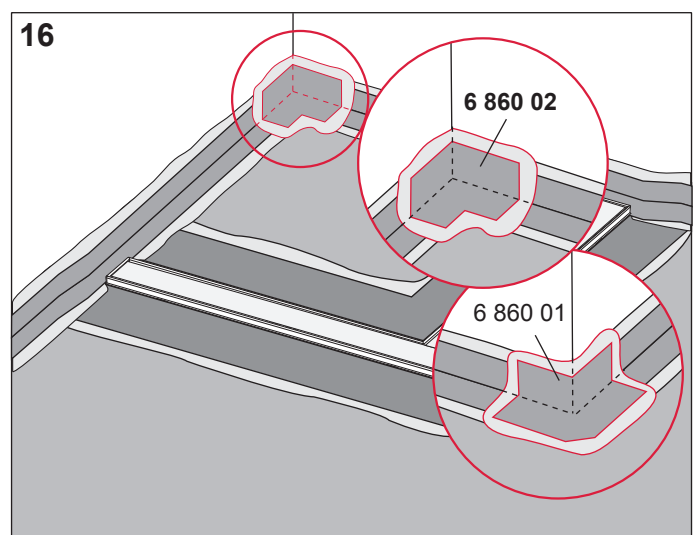
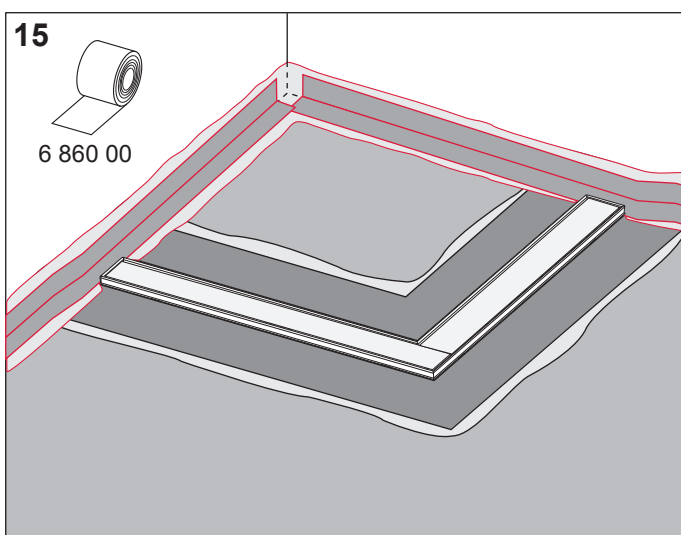
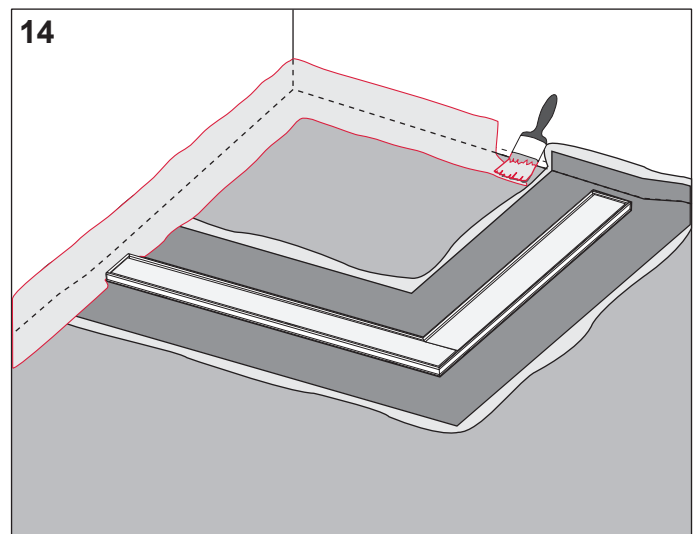
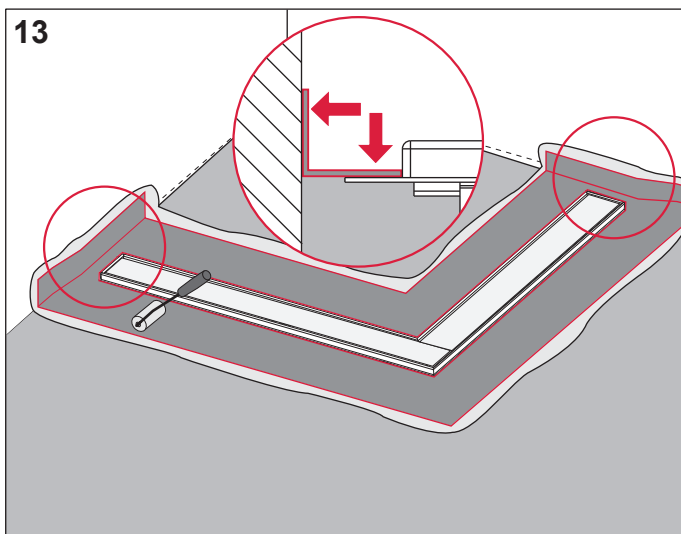
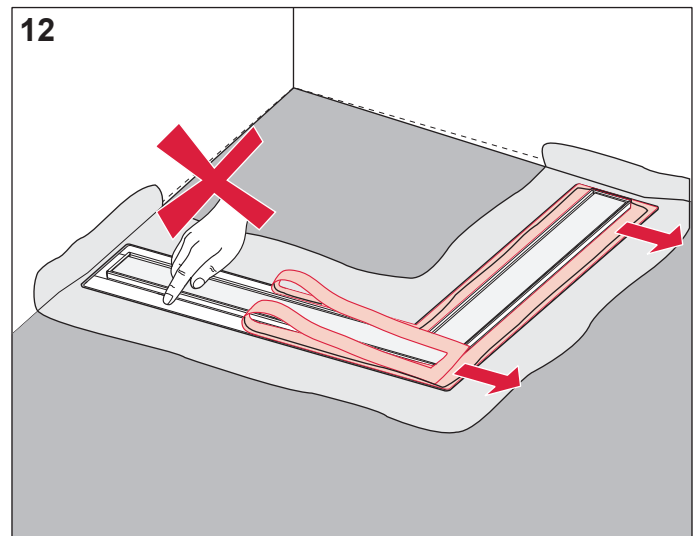
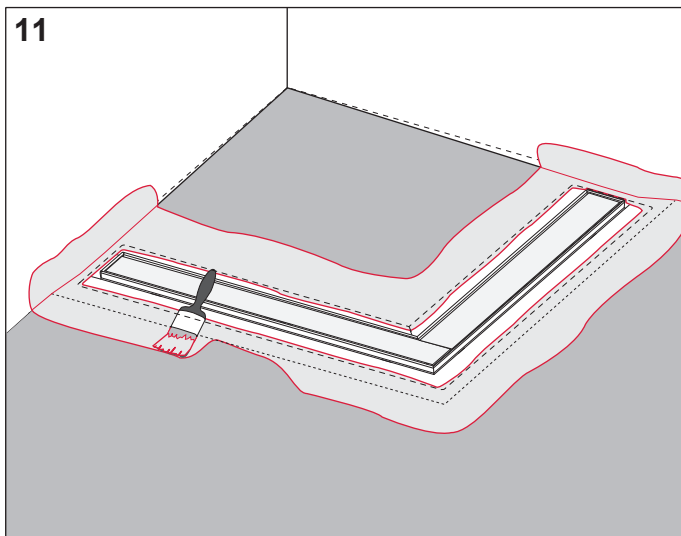


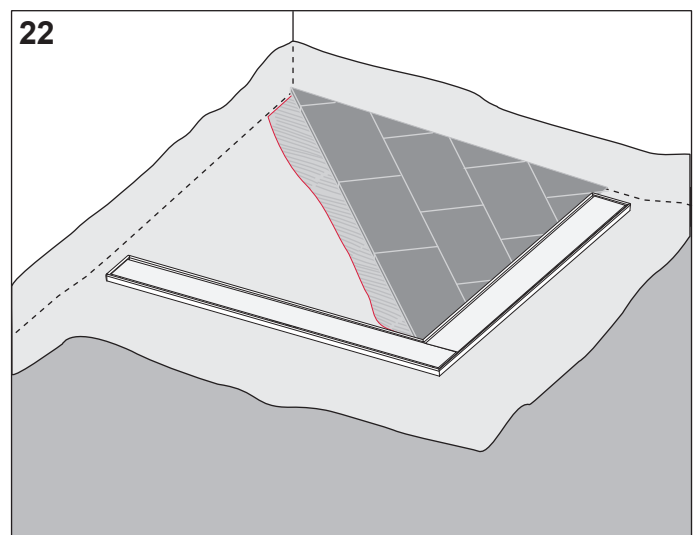
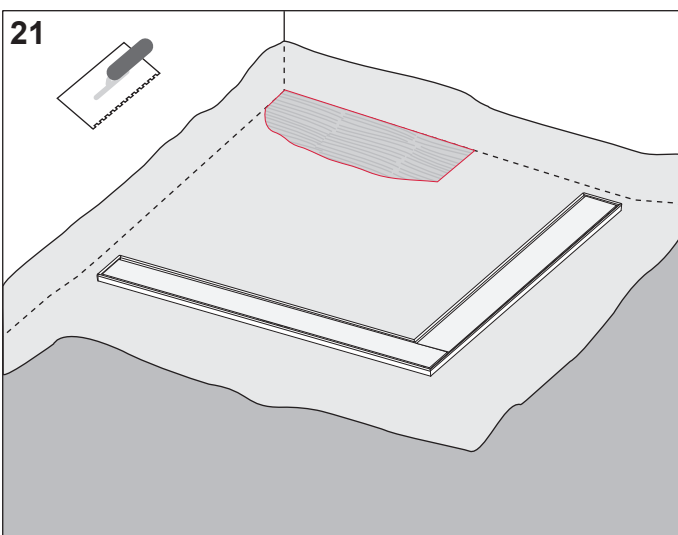
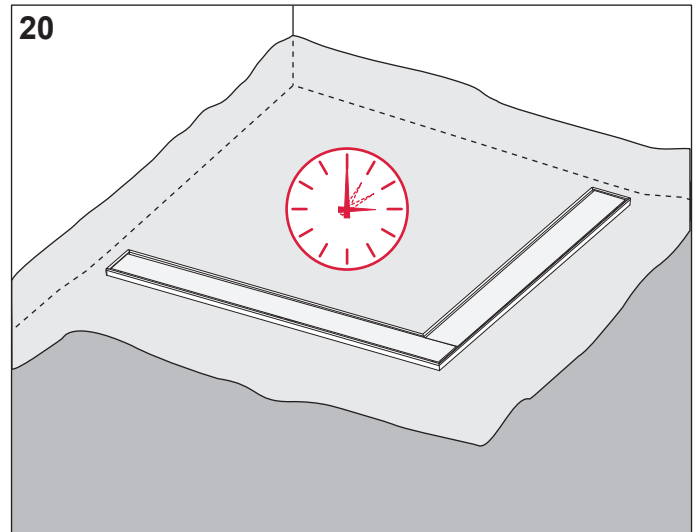
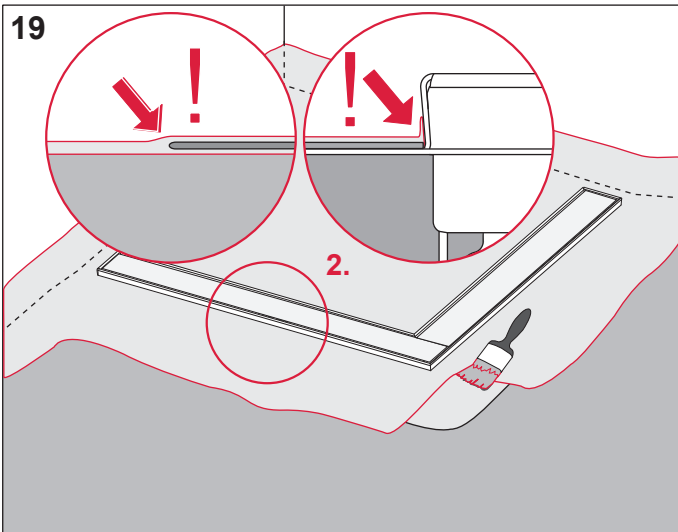
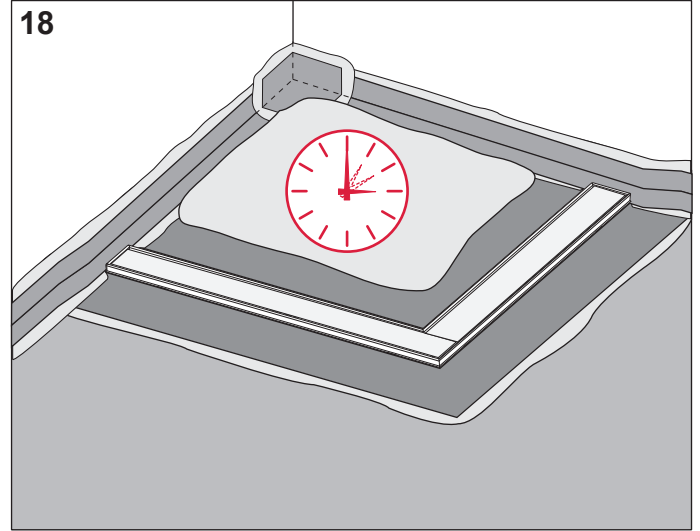
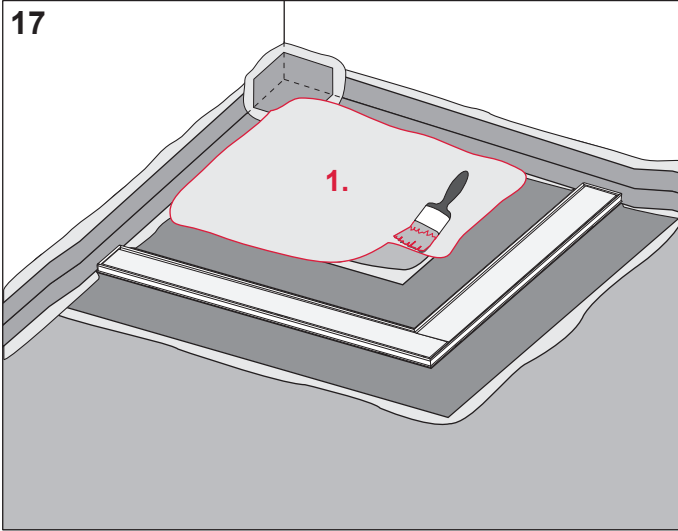
TECEdrainline – 6 1xx 00





TECEdrainline – 6 1xx 00





TECEdrainline – 6 1xx 00

